

THIS DOCUMENT CONTAINS PROPRIETARY INFORMATION WHICH IS THE PROPERTY OF QSC AUDIO PRODUCTS, THAT MAY NOT BE DISCLOSED, REPRODUCED OR USED WITHOUT EXPRESS WRITTEN CONSENT FROM QSC AUDIO PRODUCTS.

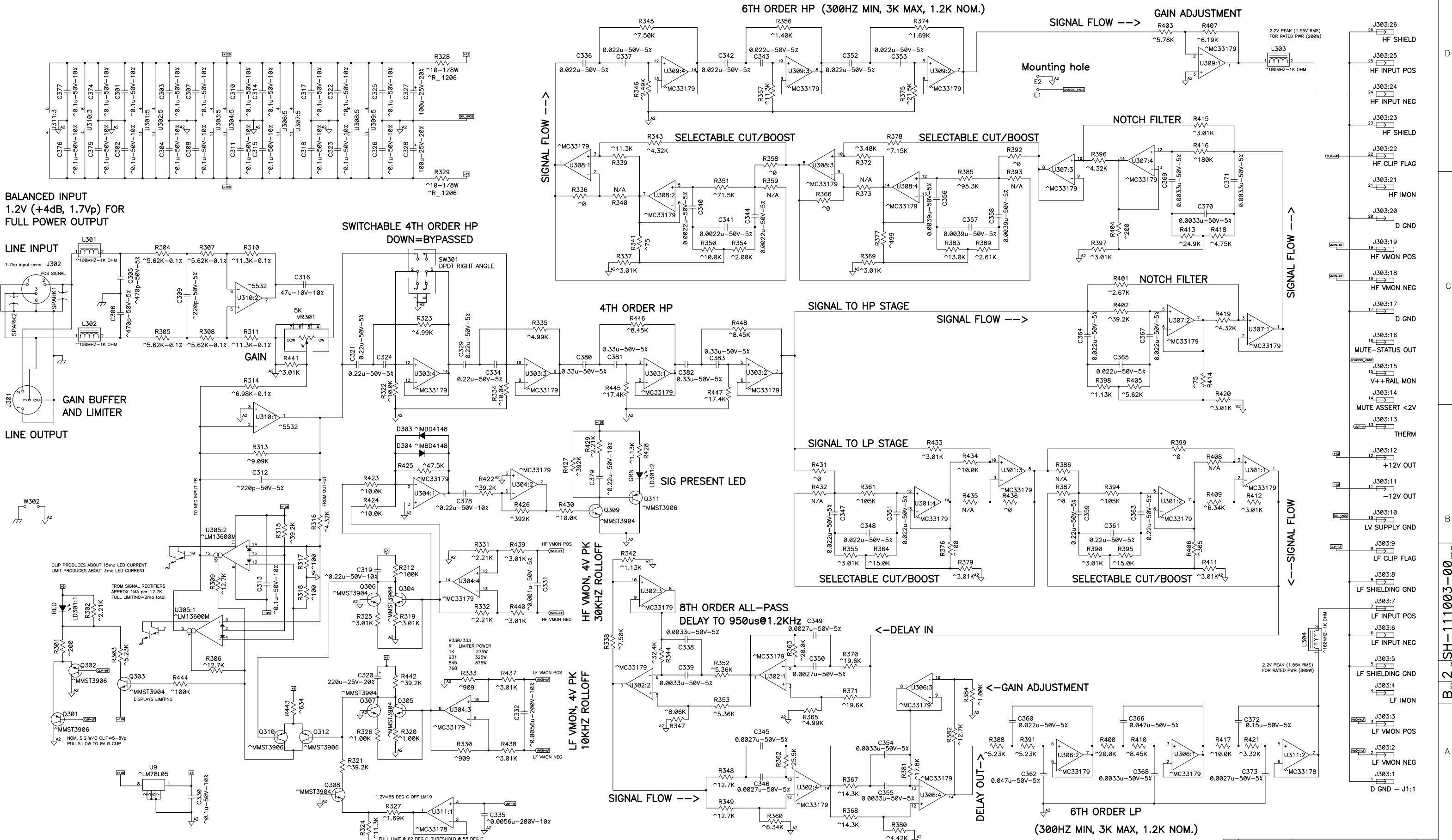
REVISION				
REV	DESCRIPTION	EFF. DATE	CHK	APPROVED/DATE
A	PRODUCTION RELEASE PER ECO 6635 AA	6-17-05	RAB	DD
B	REVISED PER ECO 6736 AA	8-19-05		DD

- 8. ZENER TOLERANCE IS 5%
 - 7. SMT CAPACITOR VOLTAGE IS 50V
 - 6. SMT RESISTOR WATTAGE RATING IS 0.1W
 - 5. RESISTOR WATTAGE RATING IS 1/4W
FOR RESISTOR WATTAGE RATINGS GREATER THAN 1W, TOLERANCE IS 5%
FOR RESISTOR WATTAGE RATINGS LESS THAN 1/2W, TOLERANCE IS 1%
 - 4. THROUGH-HOLE FILM AND CERAMIC CAPACITOR TOLERANCE IS 10%, VOLTAGE IS 100V
 - 3. ELECTROLYTIC CAPACITOR TOLERANCE IS 20%
 - 2. COMPONENTS WITH VALUE PREFIXED WITH A "*" REPRESENT SMT COMPONENTS.
 - 1. THIS DRAWING USED IN CONJUNCTION WITH PC-111003-00 PCB.
- NOTES: UNLESS OTHERWISE SPECIFIED

QTY	ITEM NO.	PART NO.	DESCRIPTION	VENDOR
PARTS LIST				
UNLESS OTHERWISE SPECIFIED DIMENSIONS ARE IN INCHES. DIMENSIONS PER ANSI Y14.5-1982 TOLERANCES ARE: DECIMALS DECIMALS ANGLES .XX ± .XXX ± 0 DEBURR EDGES .XXX R MAX MATERIAL			CONTRACT NO.	
			QSC AUDIO PRODUCTS, INC. COSTA MESA, CALIFORNIA	
			SCHEMATIC DIAGRAM INPUT CROSSOVER, 122/124 PM-1000	
FINISH			APPROVALS	DATE
			ROBERT MUNIZ	11/23/2004
			CHECKED	
			M. HARRIS	6-01-05
			ISSUED	
			D. DELARM	6-17-05
CAD SEED FILE NO.			SIZE	FSCM NO.
Tue Aug 23, 2005			D	
DO NOT SCALE DRAWING			SCALE	DWG NO.
				SH-111018-00
			CAD FILE NO.	REV
			SH111018B.sch	B
			SHEET	1 OF 2

B 1 SH-111018-00

THIS DOCUMENT CONTAINS PROPRIETARY INFORMATION WHICH IS THE PROPERTY OF OSC AUDIO PRODUCTS. THAT MAY NOT BE DISCLOSED, REPRODUCED OR USED WITHOUT EXPRESS WRITTEN CONSENT FROM OSC AUDIO PRODUCTS.



NOTES: UNLESS OTHERWISE SPECIFIED

SIZE	FSCM NO.	DWG NO.	REV
D		SH-111003-00	B
SCALE	CAD FILE NO.	SH111003B.sch	SHEET 2