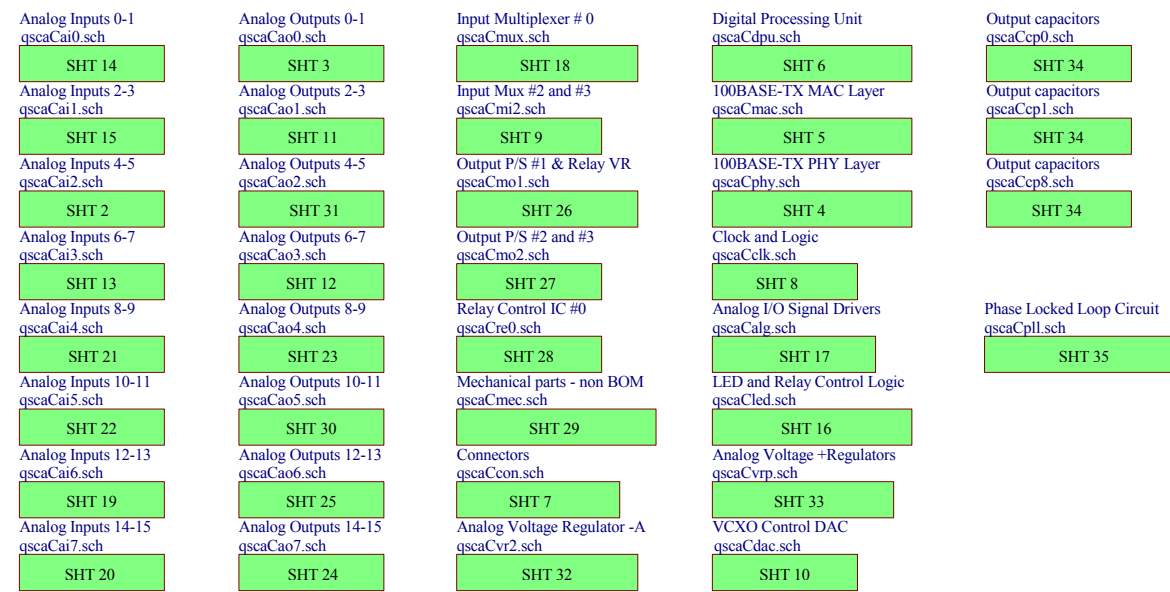


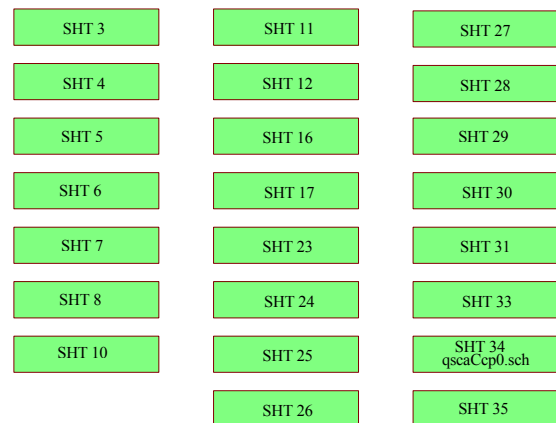
THIS DOCUMENT CONTAINS PROPRIETARY INFORMATION WHICH IS THE PROPERTY OF QSC AUDIO PRODUCTS. THAT MAY NOT BE DISCLOSED, REPRODUCED OR USED WITHOUT EXPRESS WRITTEN CONSENT FROM QSC AUDIO PRODUCTS.

REV	DESCRIPTION	EFF. DATE	CHK	APPROVED DATE
A	Production release per ECO xxxx	00/00/00		

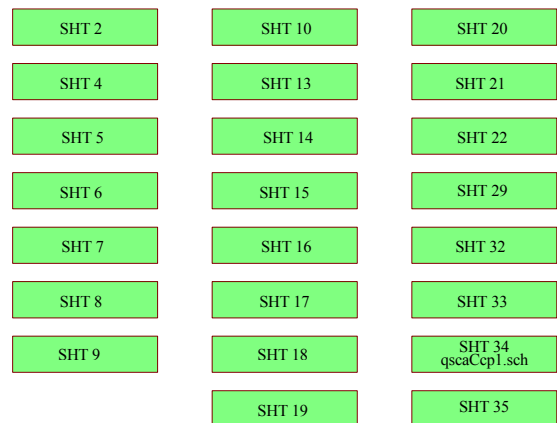
RAVE 's-24' SERIES ANALOG MODELS COMBINED



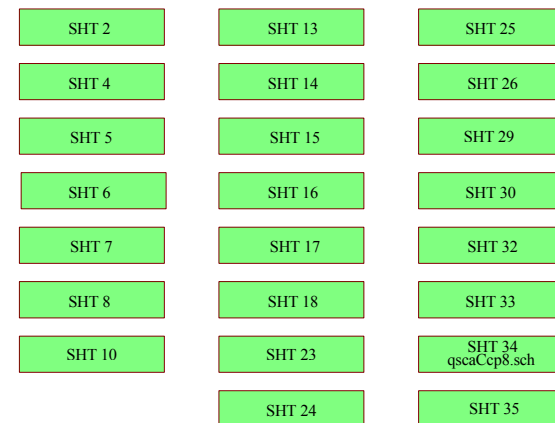
RAVE 160s-24 USE THE FOLLOWING SHEETS



RAVE 161s-24 USE THE FOLLOWING SHEETS



RAVE 188s-24 USE THE FOLLOWING SHEETS



QSC AUDIO PRODUCTS, INC. 1675 MACARTHUR BLVD. COSTA MESA, CA 92626

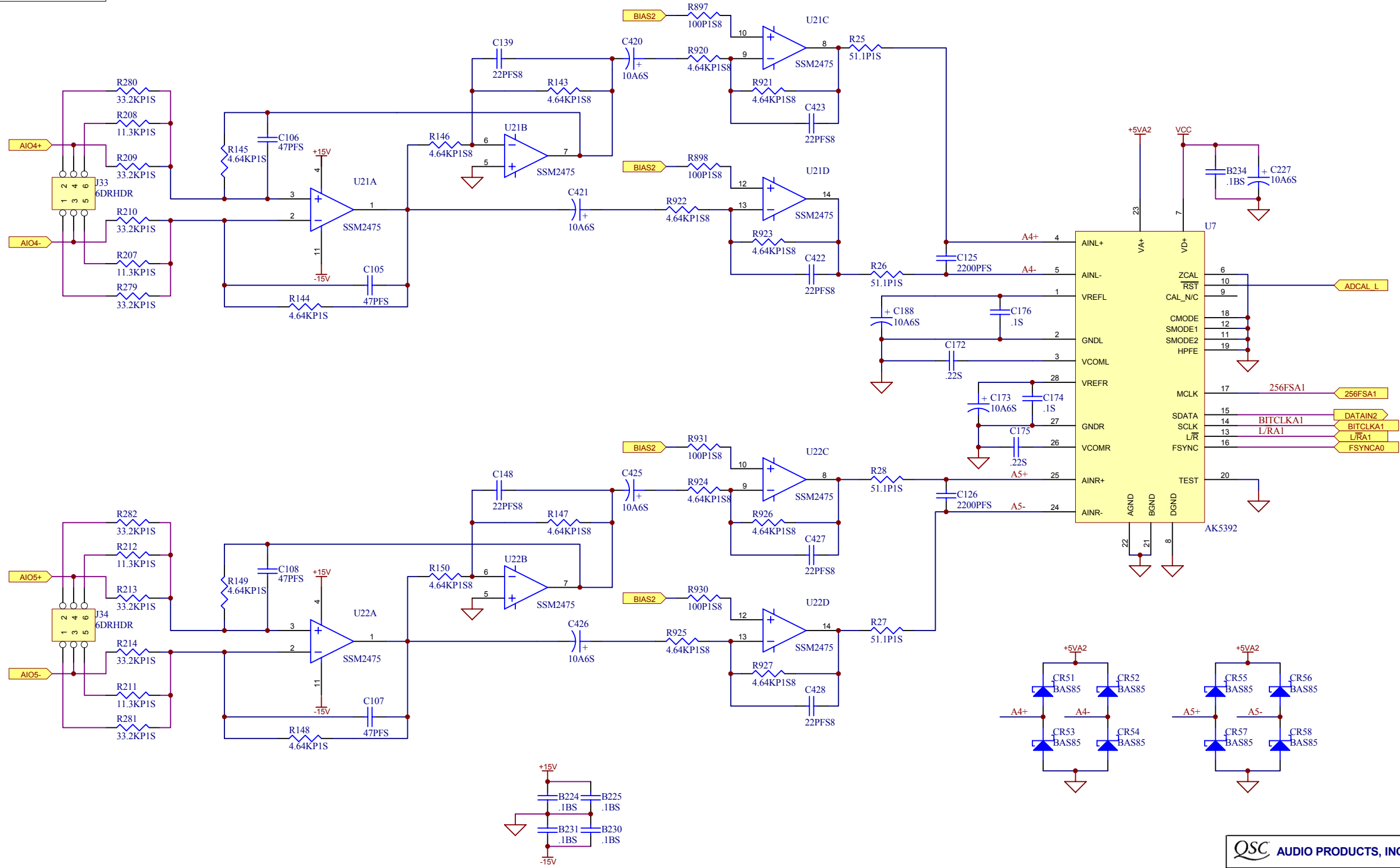
Title: **RAVE Analog Block Diagram**

Size: **B** Number: **SH-000864-00** Rev **A**

File: C:\DATA\SCH\RAVE\Analog\Working\RAVE_beta2\864A\all\864A_all.DDB - Documents\864r\Abik.sch

Date: 11-Jan-2002 Eng: DARRYL HOCH Sheet 1 of 35

THIS DOCUMENT CONTAINS PROPRIETARY INFORMATION WHICH IS THE PROPERTY OF QSC AUDIO PRODUCTS. THAT MAY NOT BE DISCLOSED, REPRODUCED OR USED WITHOUT EXPRESS WRITTEN CONSENT FROM QSC AUDIO PRODUCTS.



QSC AUDIO PRODUCTS, INC. 1675 MACARTHUR BLVD. COSTA MESA, CA 92626

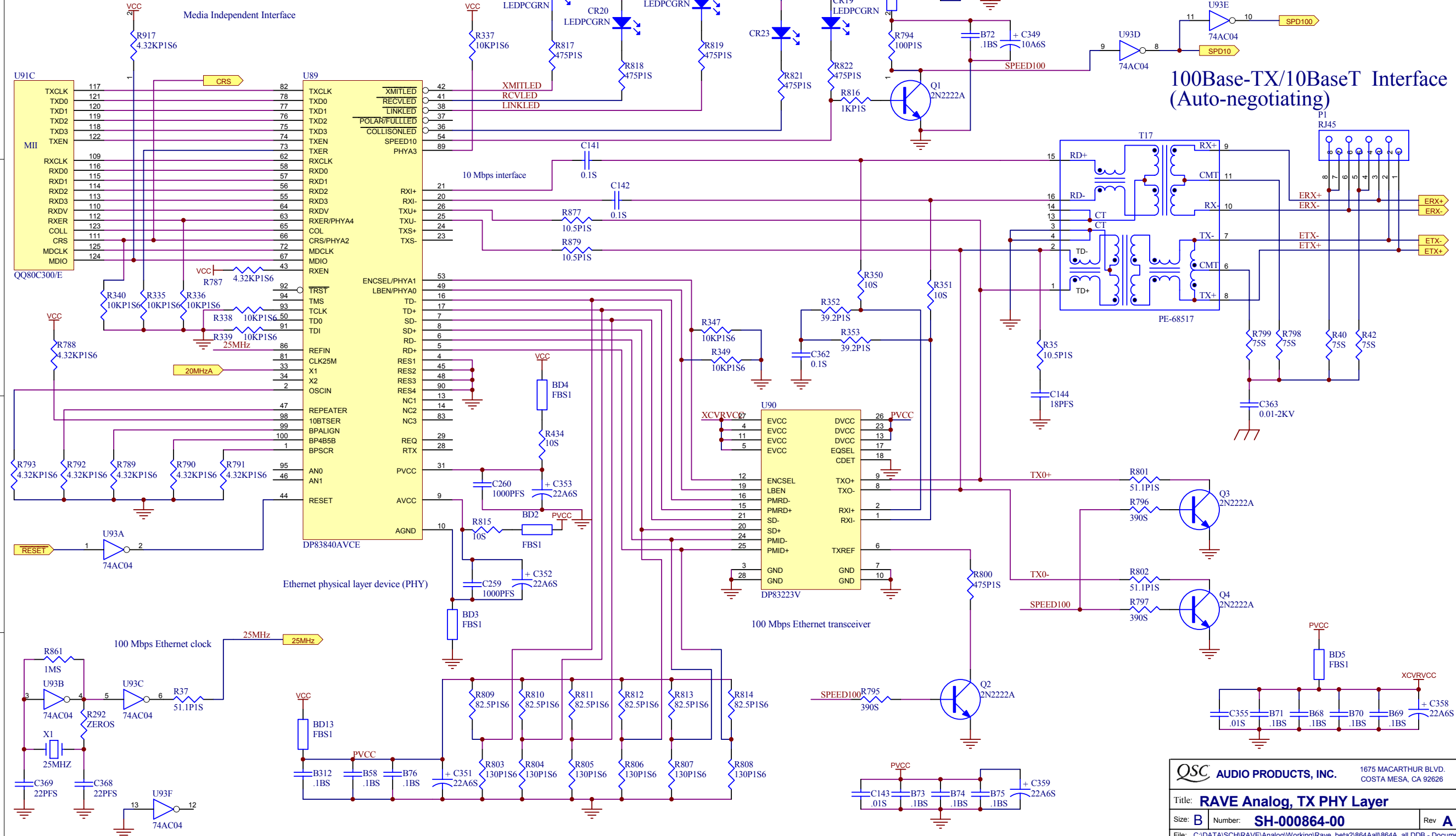
Title: **RAVE Analog Inputs # 4-5**

Size: **B** Number: **SH-000864-00** Rev: **A**

File: C:\DATA\SCH\RAVE\Analog\Working\RAVE_beta2\864A\all\864A_all.DDB - Documents\qspa\Cal2.sch

Date: 11-Jan-2002 Eng: DARRYL HOCH Sheet 2 of 35

THIS DOCUMENT CONTAINS PROPRIETARY INFORMATION WHICH IS THE PROPERTY OF QSC AUDIO PRODUCTS. THAT MAY NOT BE DISCLOSED, REPRODUCED OR USED WITHOUT EXPRESS WRITTEN CONSENT FROM QSC AUDIO PRODUCTS.



100Base-TX/10BaseT Interface (Auto-negotiating)

QSC AUDIO PRODUCTS, INC. 1675 MACARTHUR BLVD. COSTA MESA, CA 92626

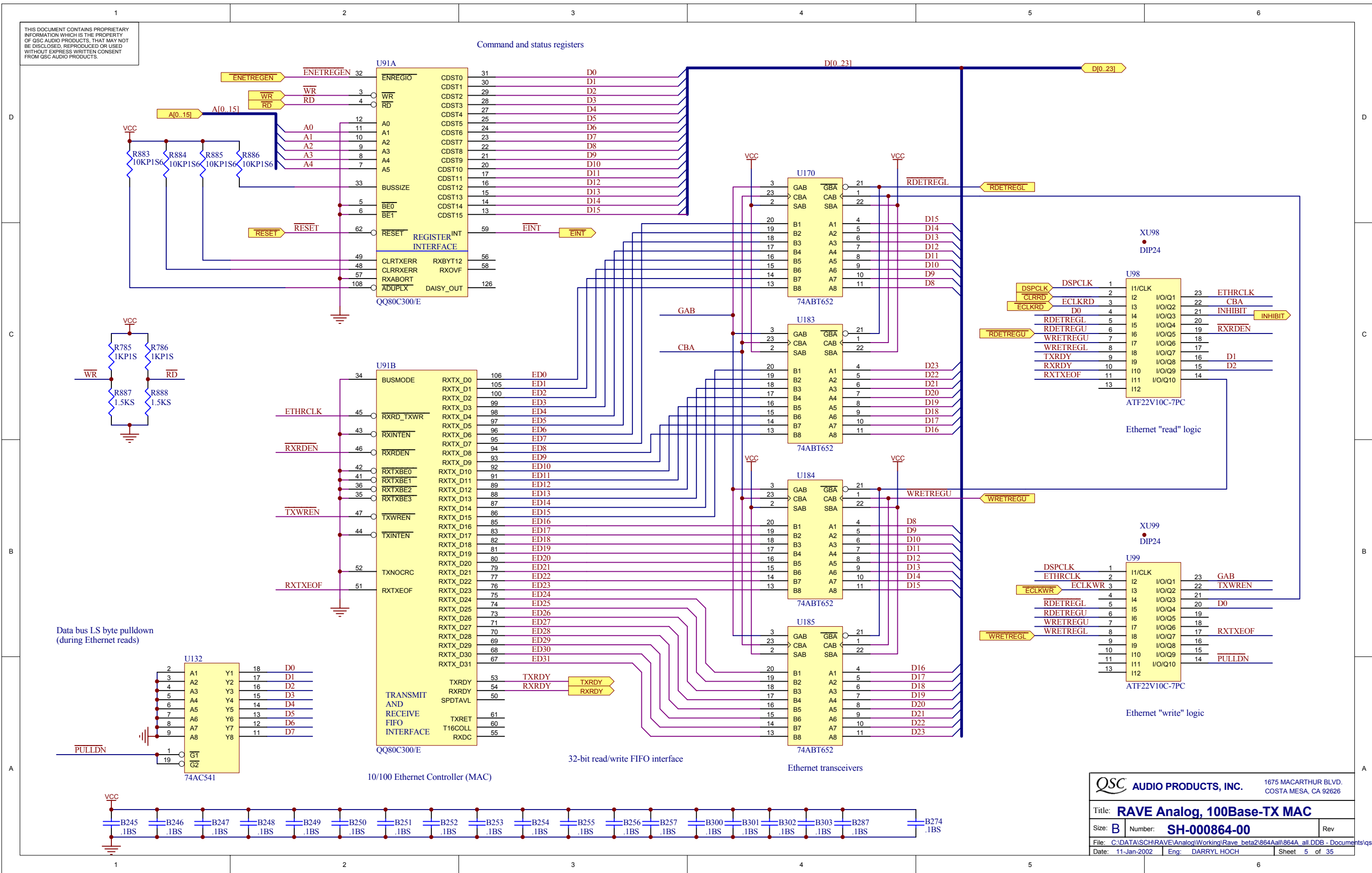
Title: **RAVE Analog, TX PHY Layer**

Size: **B** Number: **SH-000864-00** Rev: **A**

File: C:\DATA\SCH\RAVE\Analog\Working\RAVE_beta2\864\Aall\864A_all.DDB - Documents\qsc\Cphy.sch

Date: 11-Jan-2002 Eng: DARRYL HOCH Sheet 4 of 35

THIS DOCUMENT CONTAINS PROPRIETARY INFORMATION WHICH IS THE PROPERTY OF QSC AUDIO PRODUCTS. THAT MAY NOT BE DISCLOSED, REPRODUCED OR USED WITHOUT EXPRESS WRITTEN CONSENT FROM QSC AUDIO PRODUCTS.



QSC AUDIO PRODUCTS, INC. 1675 MACARTHUR BLVD. COSTA MESA, CA 92626

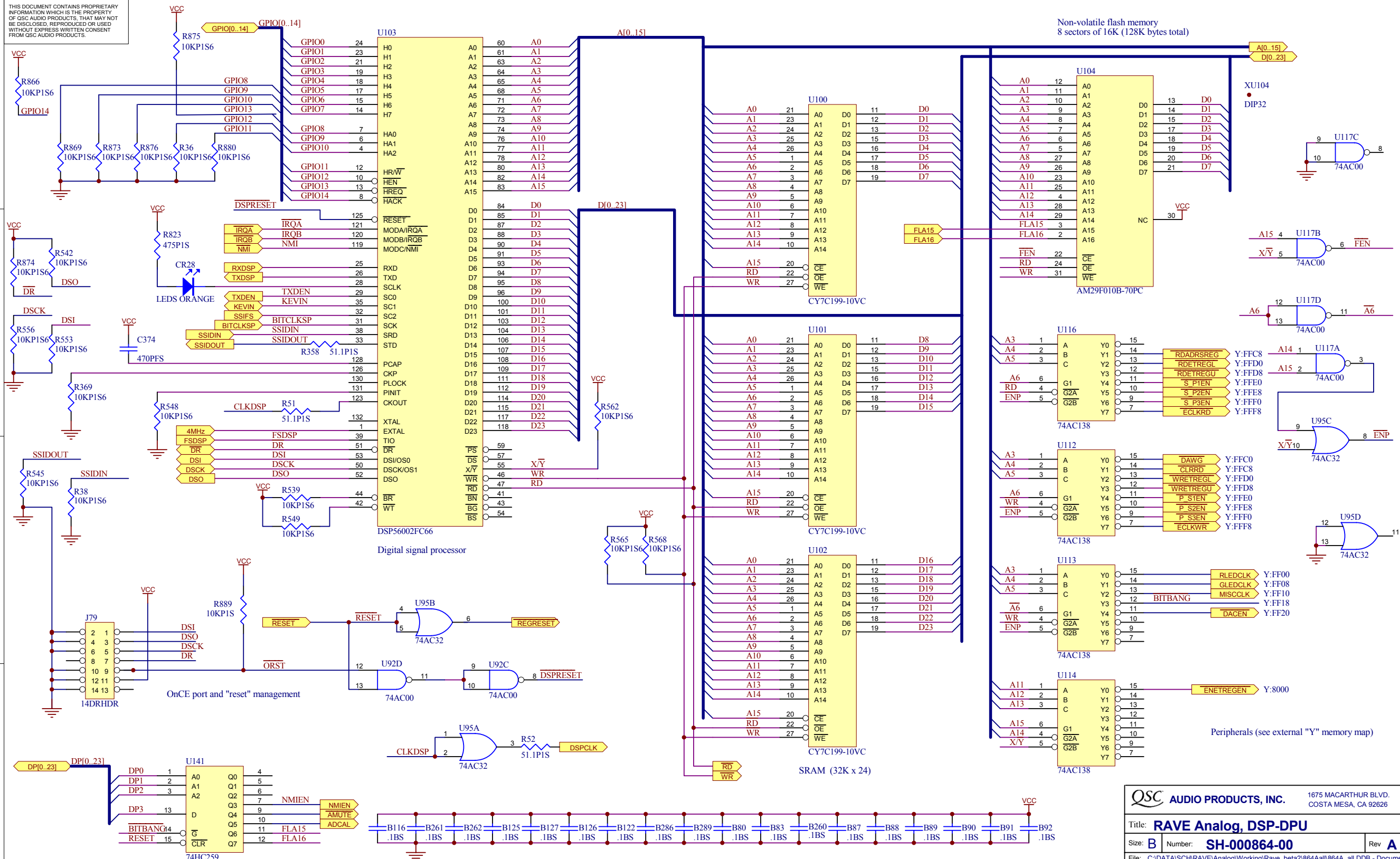
Title: **RAVE Analog, 100Base-TX MAC**

Size: **B** Number: **SH-000864-00** Rev

File: C:\DATA\SH\RAVE\Analog\Working\RAVE_beta2\864A\all\864A_all.DDB - Documents\qspaCmac.sch

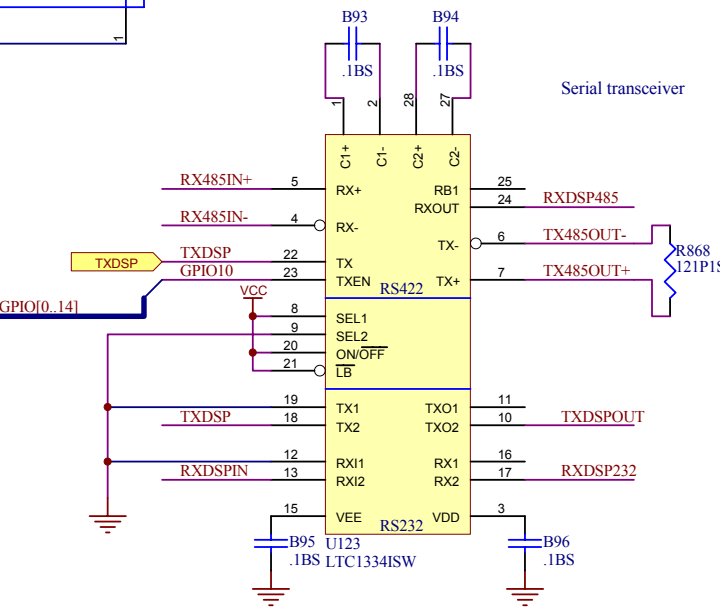
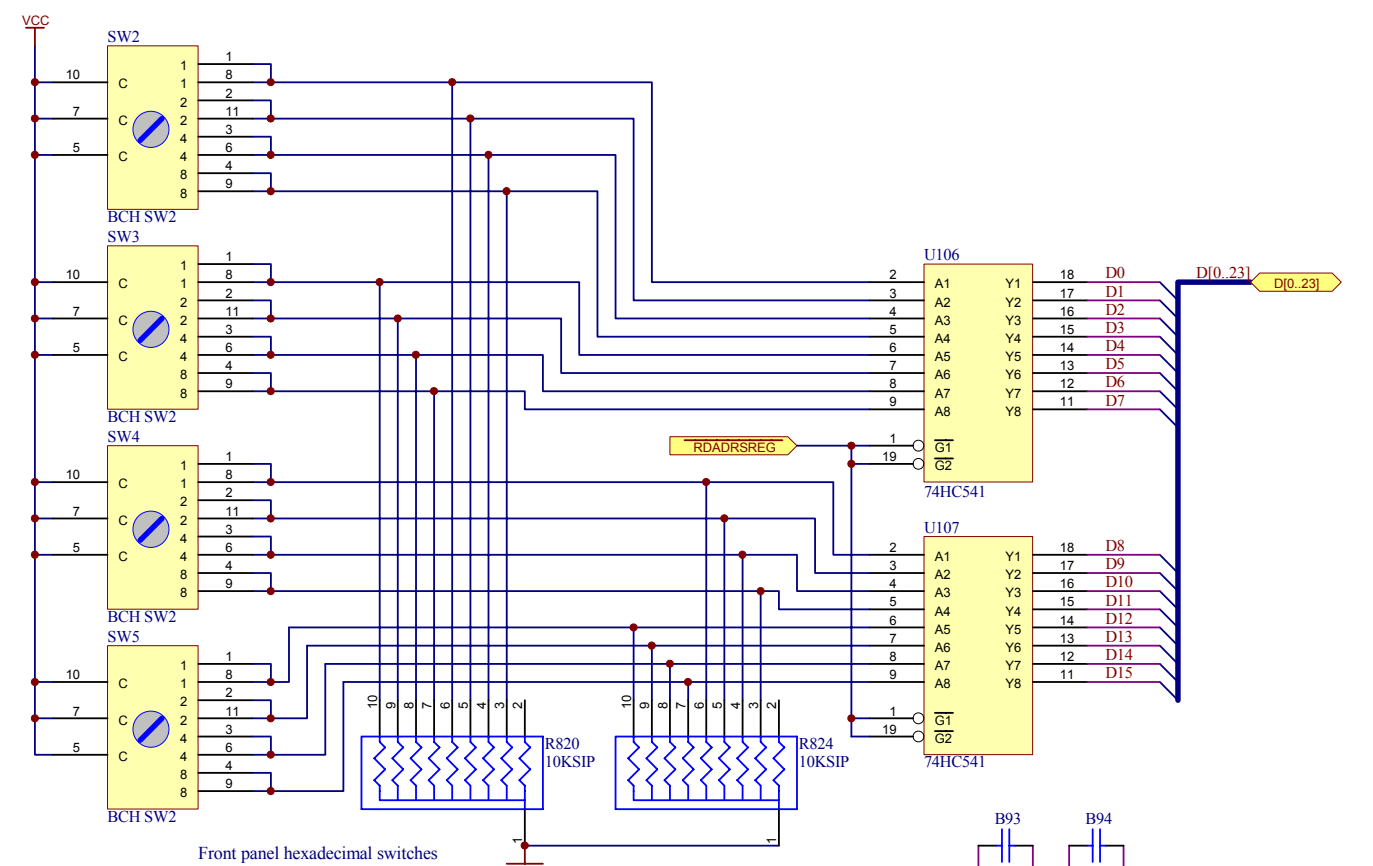
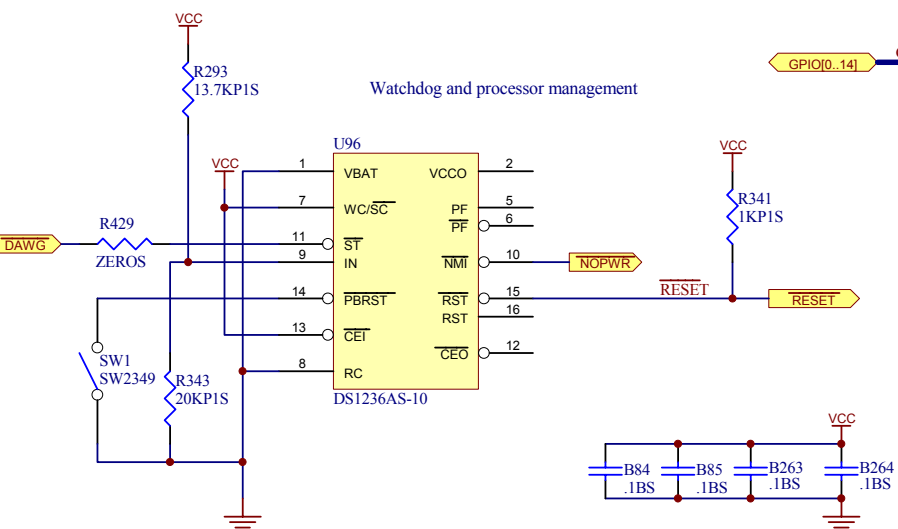
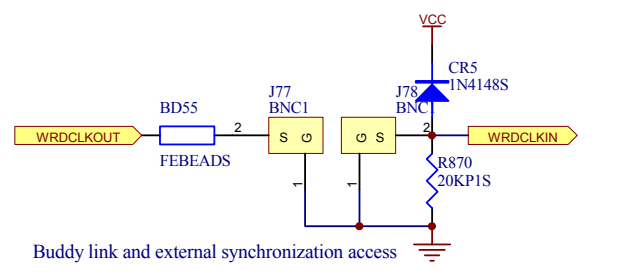
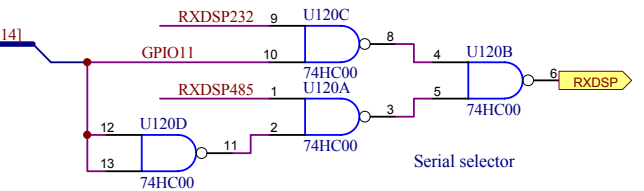
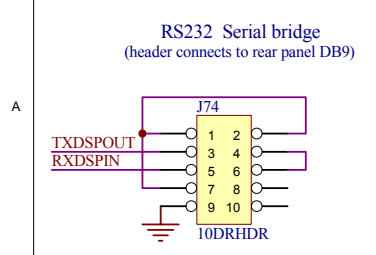
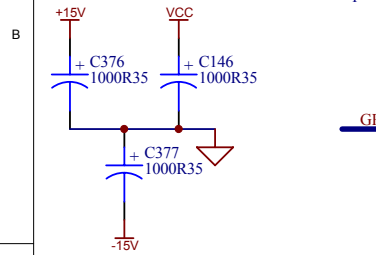
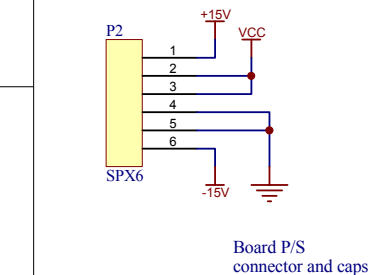
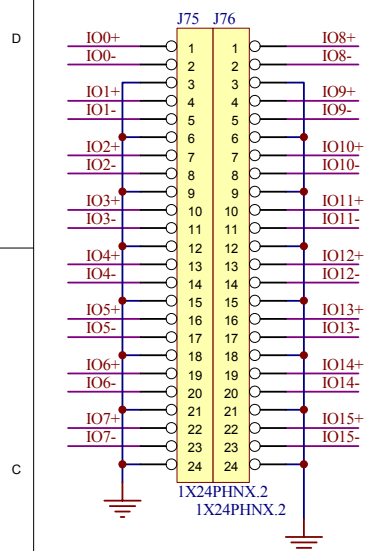
Date: 11-Jan-2002 Eng: DARRYL HOCH Sheet 5 of 35

THIS DOCUMENT CONTAINS PROPRIETARY INFORMATION WHICH IS THE PROPERTY OF QSC AUDIO PRODUCTS. THAT MAY NOT BE DISCLOSED, REPRODUCED OR USED WITHOUT EXPRESS WRITTEN CONSENT FROM QSC AUDIO PRODUCTS.



THIS DOCUMENT CONTAINS PROPRIETARY INFORMATION WHICH IS THE PROPERTY OF QSC AUDIO PRODUCTS. THAT MAY NOT BE DISCLOSED, REPRODUCED OR USED WITHOUT EXPRESS WRITTEN CONSENT FROM QSC AUDIO PRODUCTS.

Audio Phoenix connectors and LP filters



QSC AUDIO PRODUCTS, INC. 1675 MACARTHUR BLVD. COSTA MESA, CA 92626

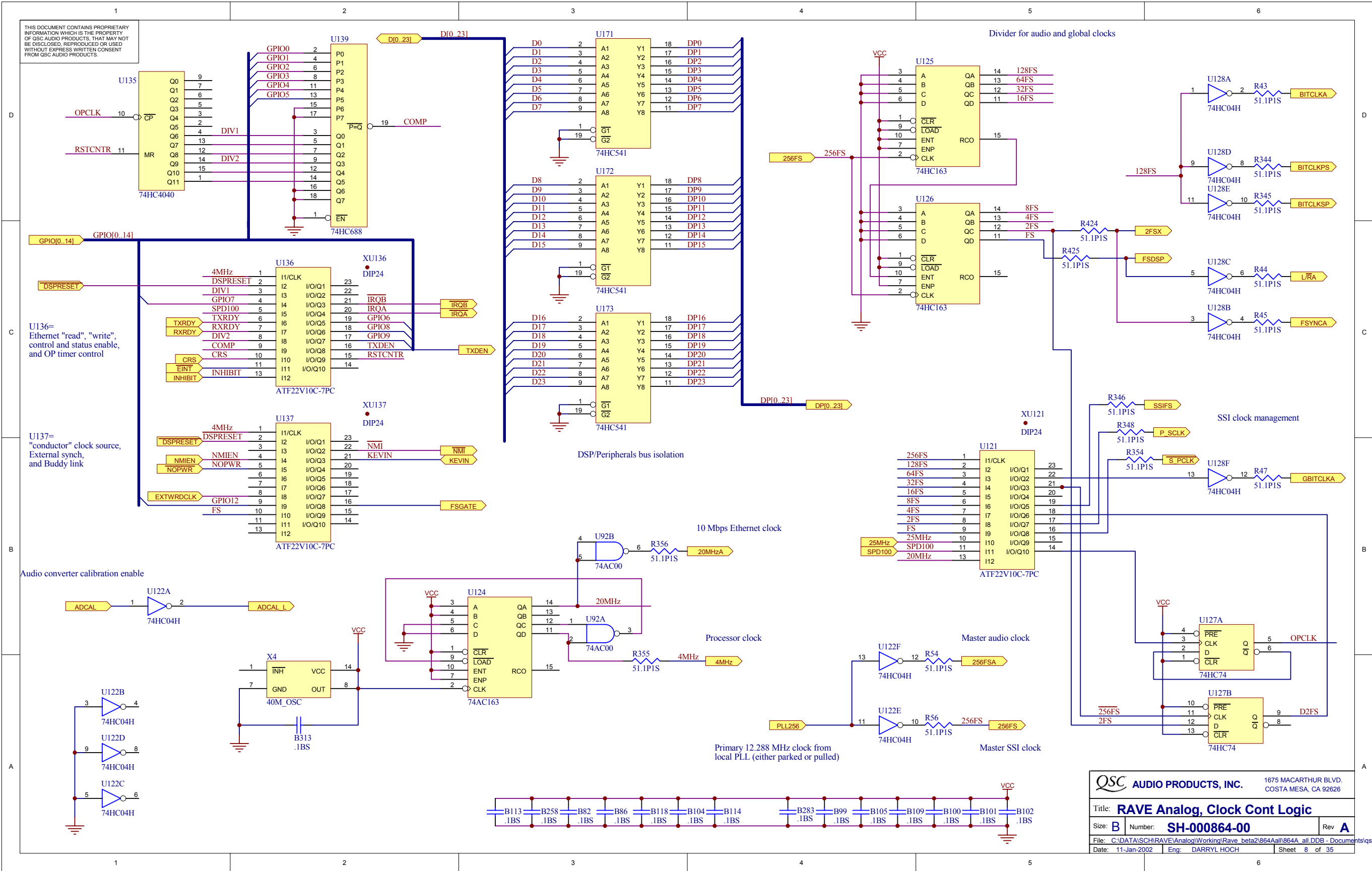
Title: **RAVE Analog, Connectors**

Size: **B** Number: **SH-000864-00** Rev: **A**

File: C:\DATA\SH\RAVE\Analog\Working\RAVE_beta2\864\Aall\864A_all.DDB - Documents\qspa\Con.sch

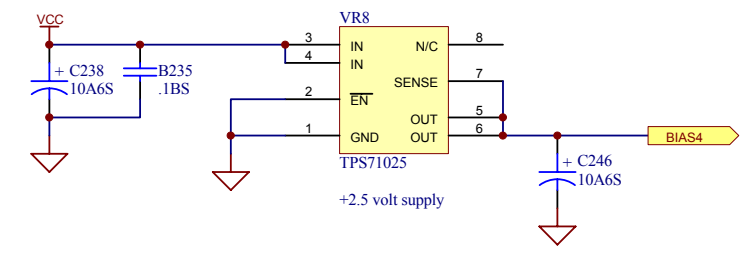
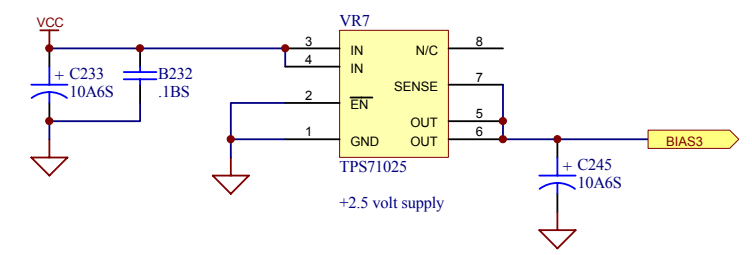
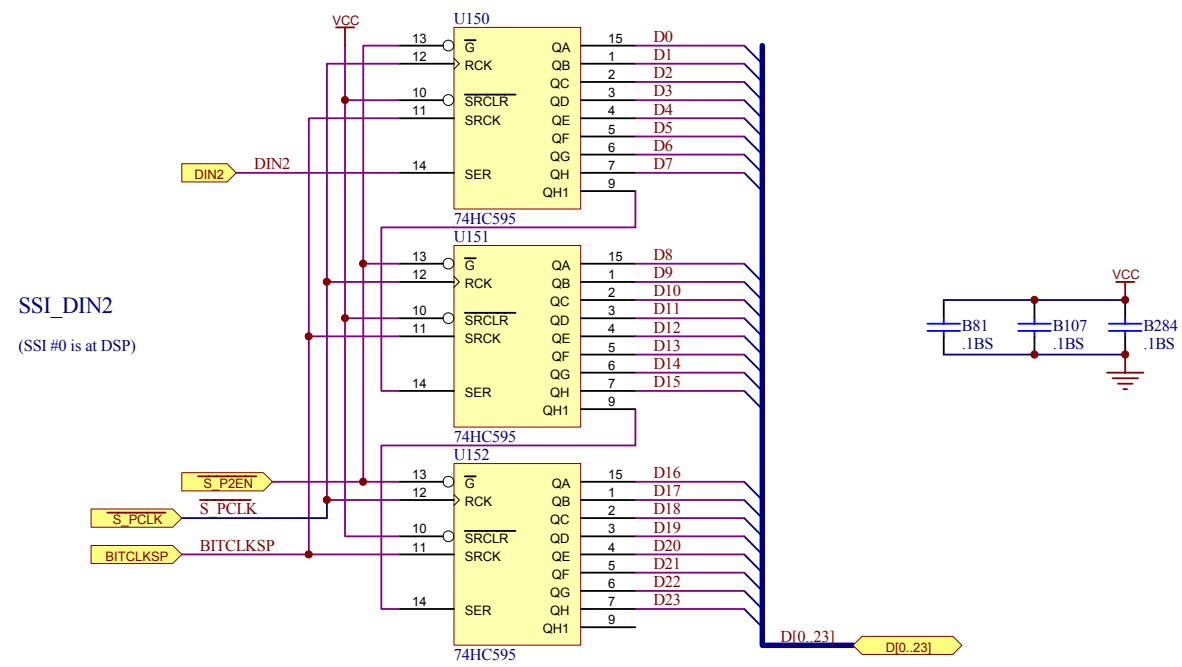
Date: 11-Jan-2002 Eng: DARRYL HOCH Sheet 7 of 35

THIS DOCUMENT CONTAINS PROPRIETARY INFORMATION WHICH IS THE PROPERTY OF QSC AUDIO PRODUCTS. THAT MAY NOT BE DISCLOSED, REPRODUCED OR USED WITHOUT EXPRESS WRITTEN CONSENT FROM QSC AUDIO PRODUCTS.

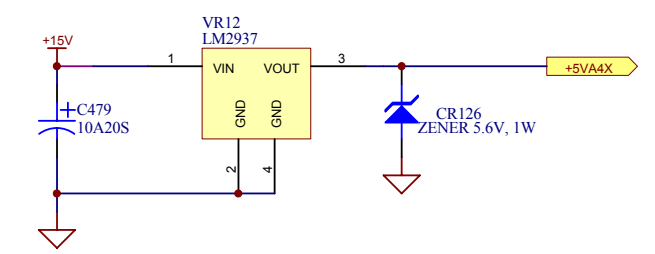
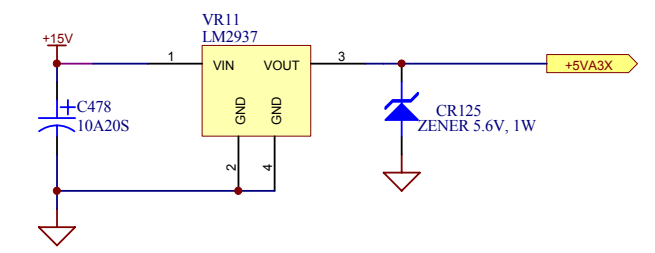
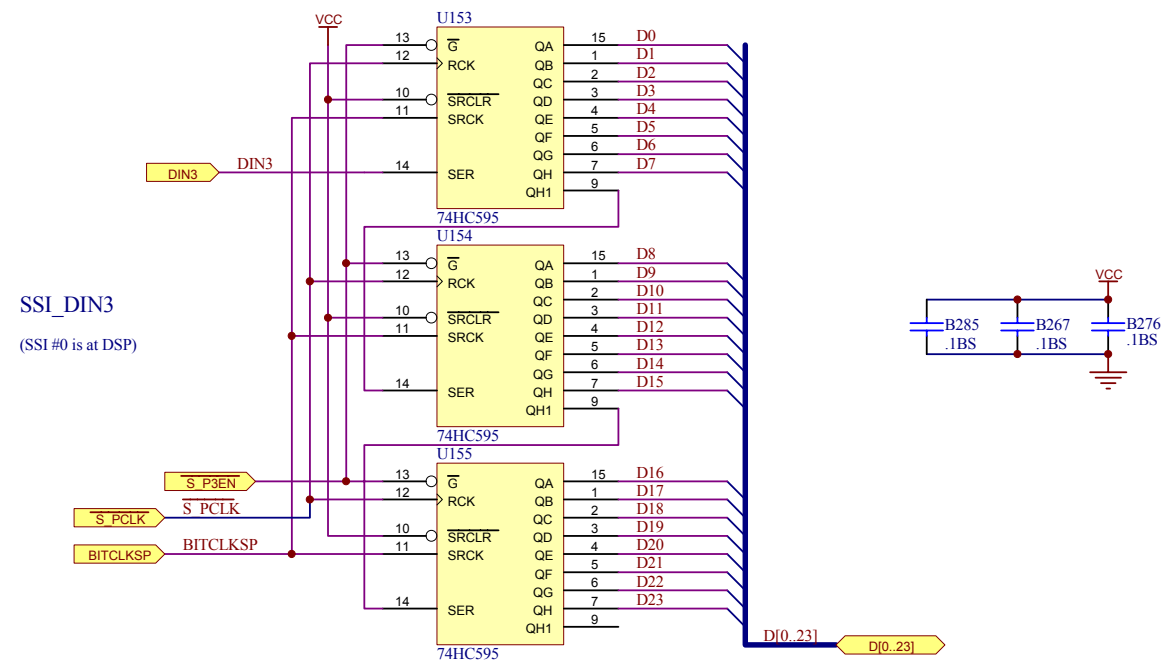


THIS DOCUMENT CONTAINS PROPRIETARY INFORMATION WHICH IS THE PROPERTY OF QSC AUDIO PRODUCTS. THAT MAY NOT BE DISCLOSED, REPRODUCED OR USED WITHOUT EXPRESS WRITTEN CONSENT FROM QSC AUDIO PRODUCTS.

24-bit serial audio from ADCs (U1 and U2) to DSP data bus

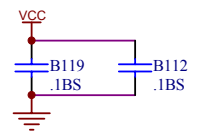
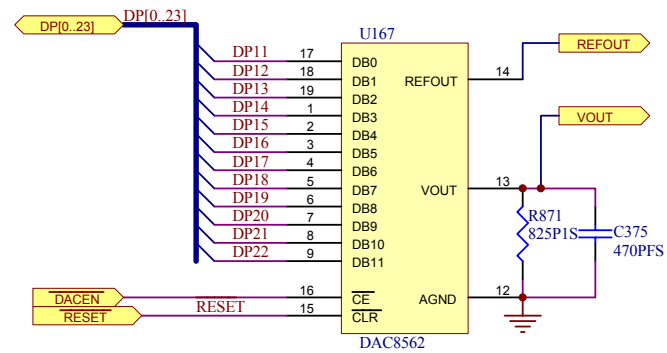


24-bit serial audio from ADCs (U3 and U4) to DSP data bus

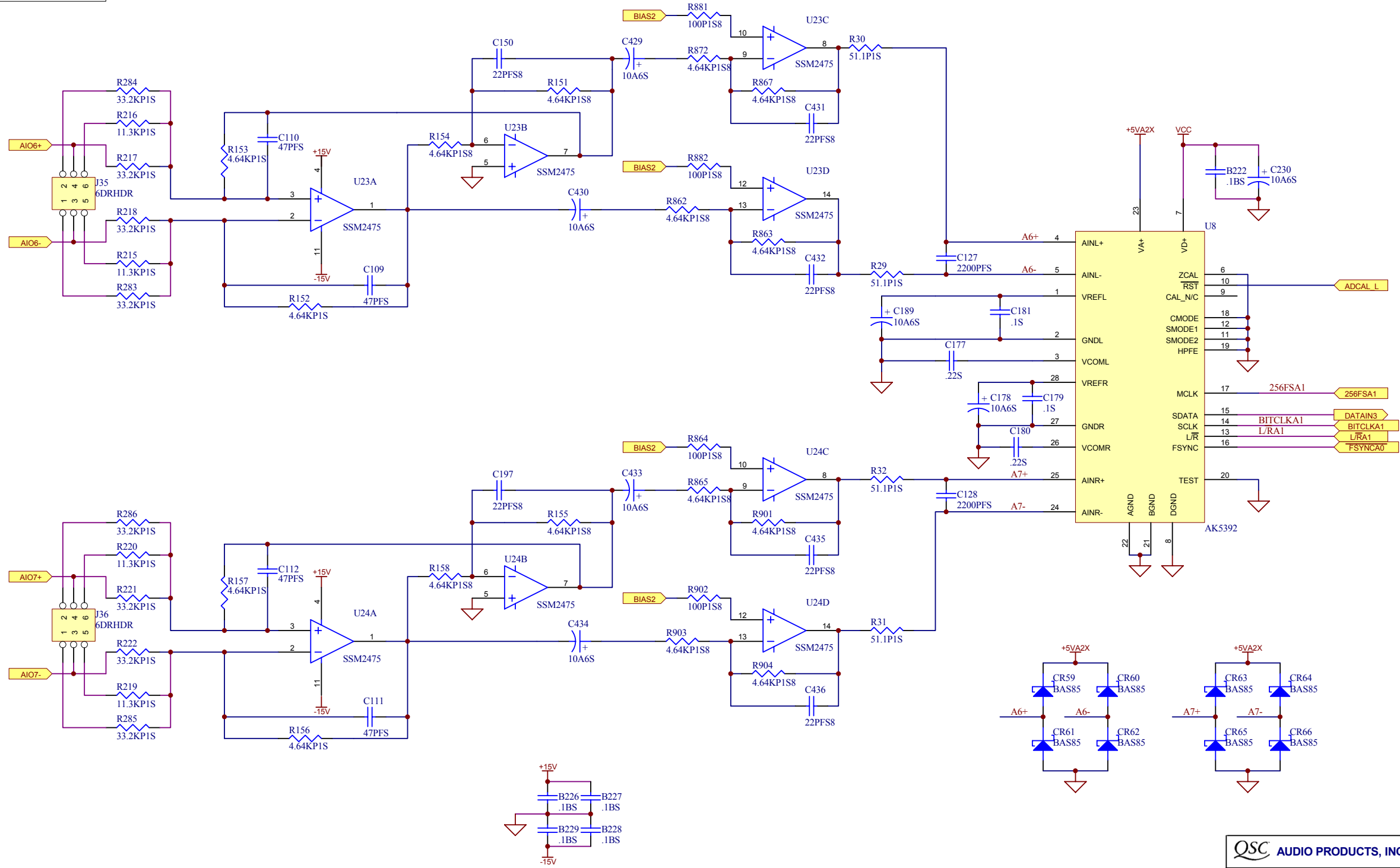


THIS DOCUMENT CONTAINS PROPRIETARY INFORMATION WHICH IS THE PROPERTY OF QSC AUDIO PRODUCTS. THAT MAY NOT BE DISCLOSED, REPRODUCED OR USED WITHOUT EXPRESS WRITTEN CONSENT FROM QSC AUDIO PRODUCTS.

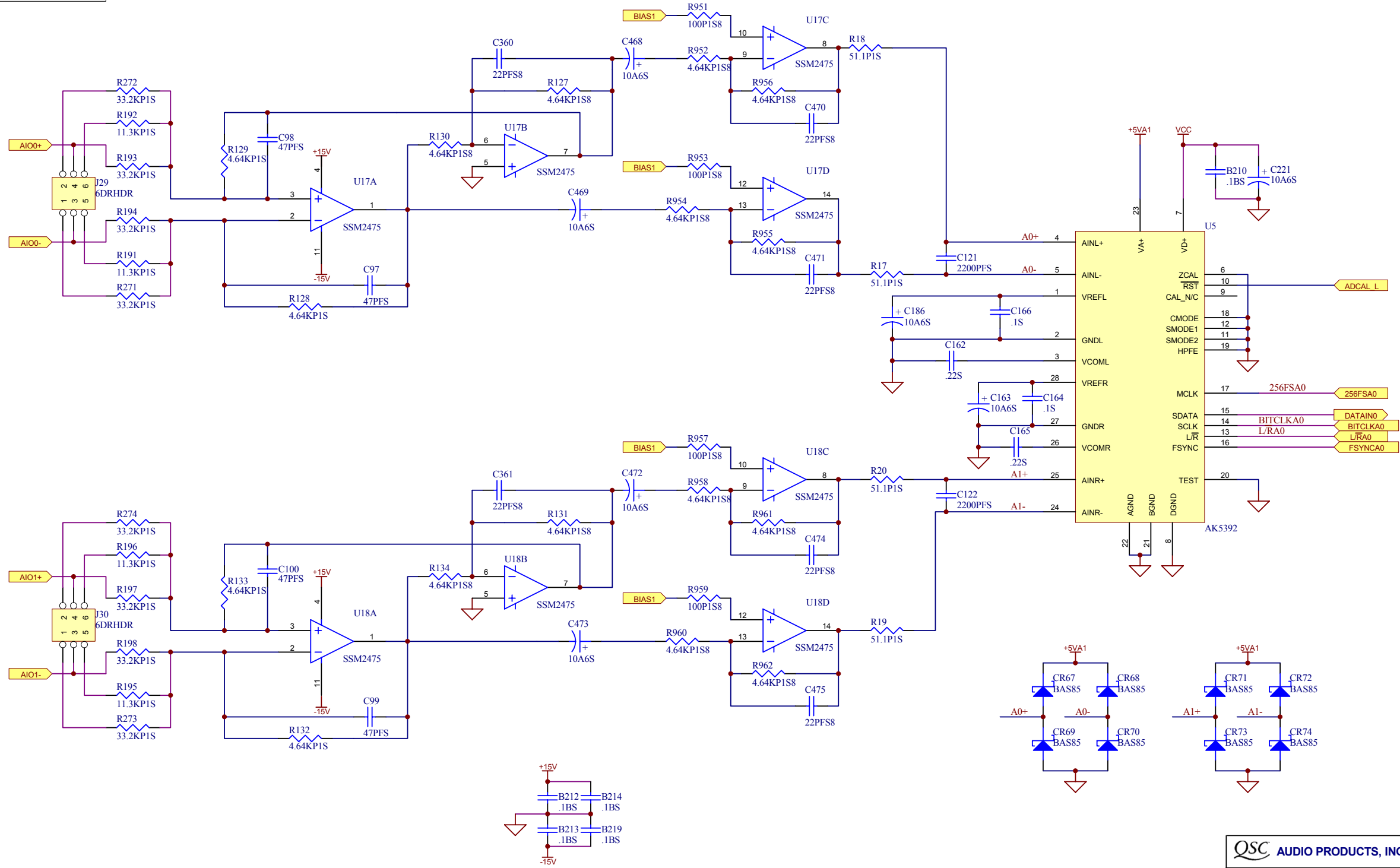
PLL DAC, provides controll voltage for VCXO



THIS DOCUMENT CONTAINS PROPRIETARY INFORMATION WHICH IS THE PROPERTY OF QSC AUDIO PRODUCTS. THAT MAY NOT BE DISCLOSED, REPRODUCED OR USED WITHOUT EXPRESS WRITTEN CONSENT FROM QSC AUDIO PRODUCTS.



THIS DOCUMENT CONTAINS PROPRIETARY INFORMATION WHICH IS THE PROPERTY OF QSC AUDIO PRODUCTS. THAT MAY NOT BE DISCLOSED, REPRODUCED OR USED WITHOUT EXPRESS WRITTEN CONSENT FROM QSC AUDIO PRODUCTS.



QSC AUDIO PRODUCTS, INC. 1675 MACARTHUR BLVD. COSTA MESA, CA 92626

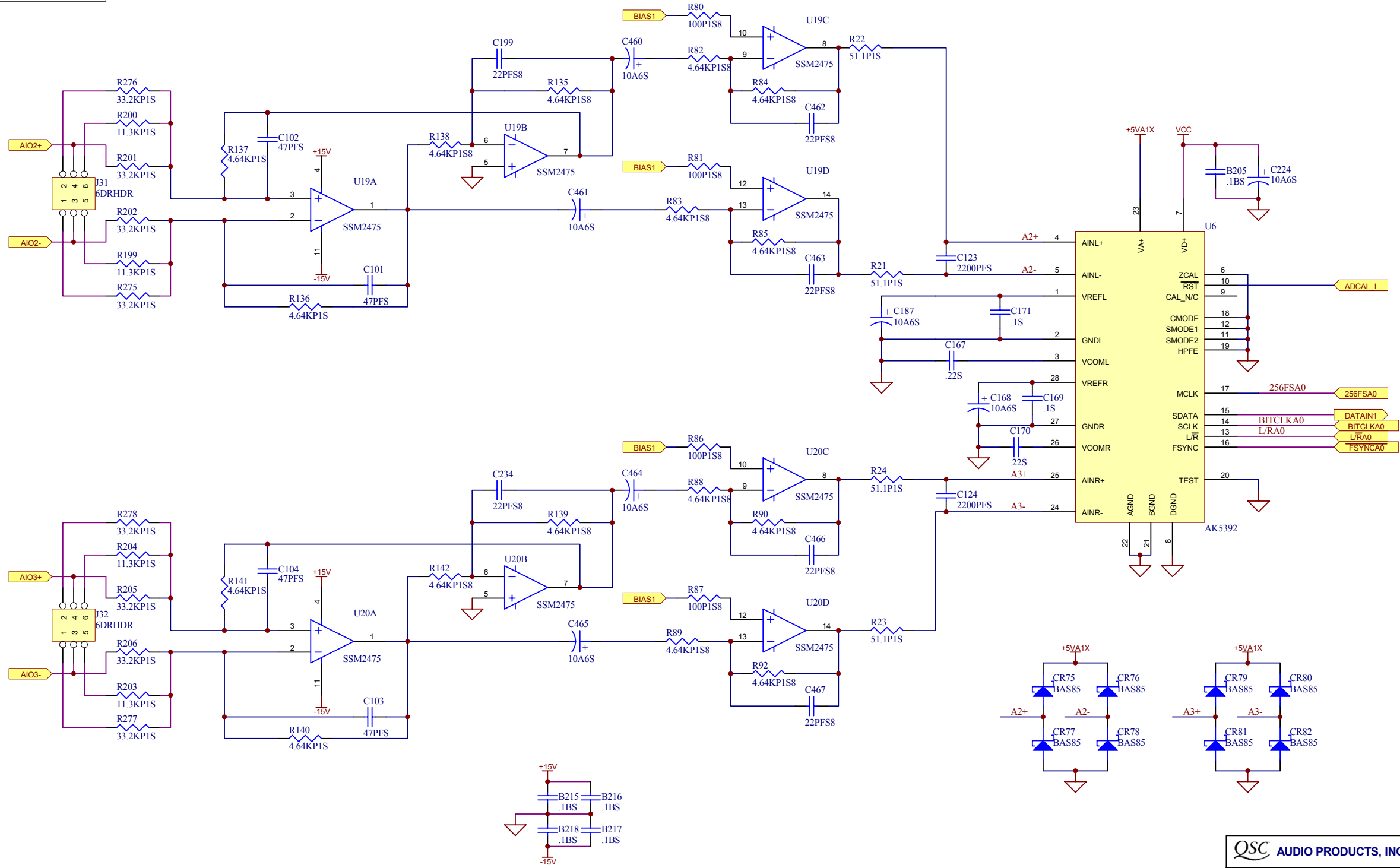
Title: **RAVE Analog Inputs # 0-1**

Size: **B** Number: **SH-000864-00** Rev: **A**

File: C:\DATA\SCH\RAVE\Analog\Working\RAVE_beta2\864A\all\864A_all.DDB - Documents\qspa\Caio0.sch

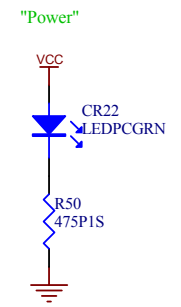
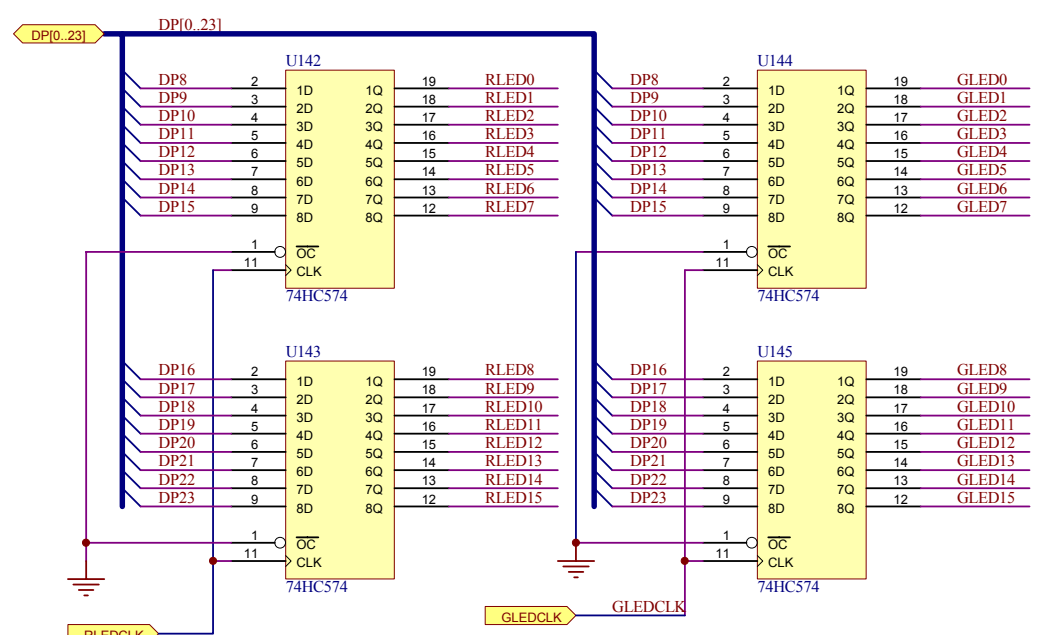
Date: 11-Jan-2002 Eng: DARRYL HOCH Sheet 14 of 35

THIS DOCUMENT CONTAINS PROPRIETARY INFORMATION WHICH IS THE PROPERTY OF QSC AUDIO PRODUCTS. THAT MAY NOT BE DISCLOSED, REPRODUCED OR USED WITHOUT EXPRESS WRITTEN CONSENT FROM QSC AUDIO PRODUCTS.

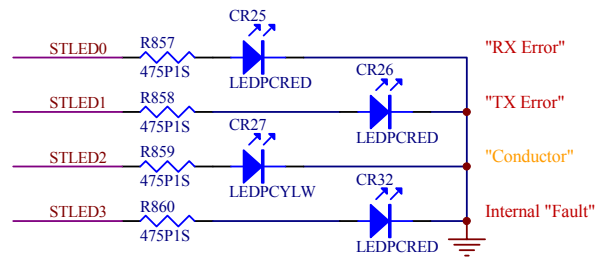


THIS DOCUMENT CONTAINS PROPRIETARY INFORMATION WHICH IS THE PROPERTY OF QSC AUDIO PRODUCTS. THAT MAY NOT BE DISCLOSED, REPRODUCED OR USED WITHOUT EXPRESS WRITTEN CONSENT FROM QSC AUDIO PRODUCTS.

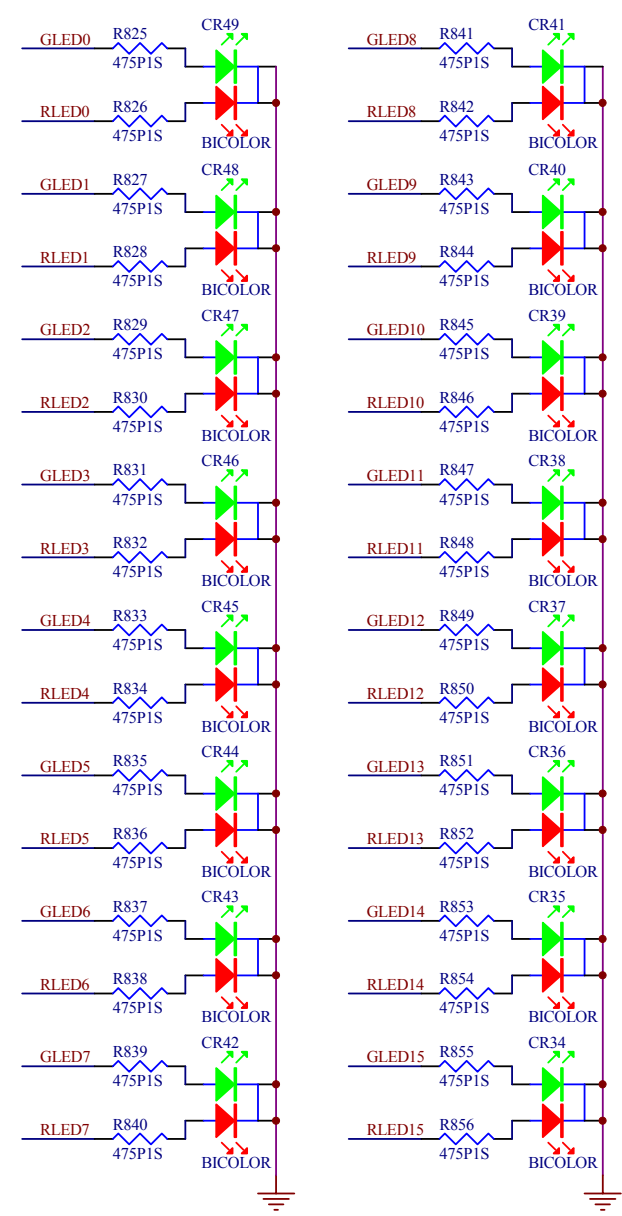
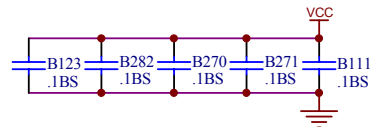
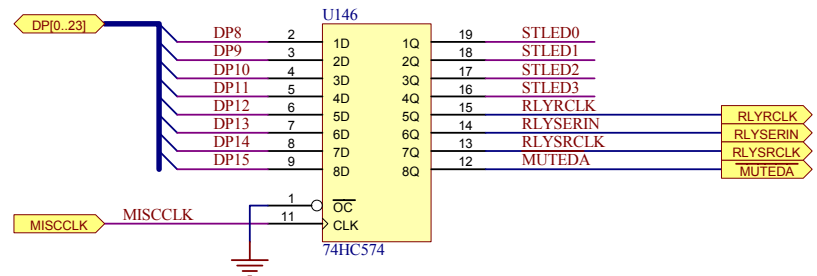
Metering LED drivers



CobraNet status indicators (front panel)



Status LED drivers and DAC functions (relay and mute control)



Metering, error code and version display LEDs (tri-color)

QSC AUDIO PRODUCTS, INC. 1675 MACARTHUR BLVD. COSTA MESA, CA 92626

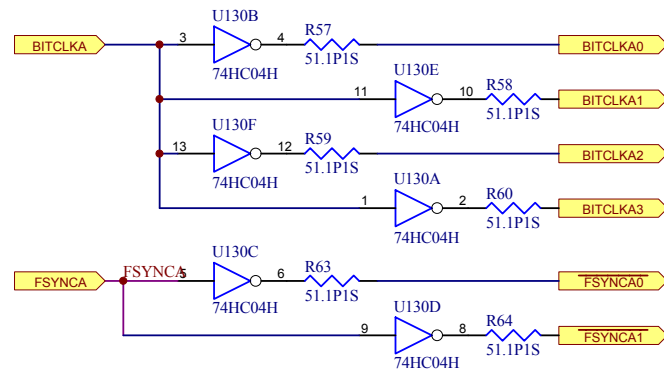
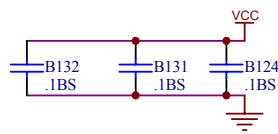
Title: **RAVE Analog, LED & Relay Logic**

Size: **B** Number: **SH-000864-00** Rev: **A**

File: C:\DATA\SCH\RAVE\Analog\Working\RAVE_beta2\864A\all\864A_all.DDB - Documents\qspaCled.sch

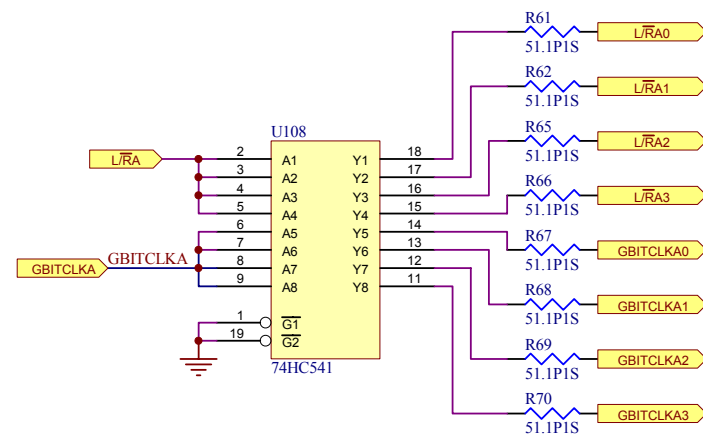
Date: 11-Jan-2002 Eng: DARRYL HOCH Sheet 16 of 35

THIS DOCUMENT CONTAINS PROPRIETARY INFORMATION WHICH IS THE PROPERTY OF QSC AUDIO PRODUCTS. THAT MAY NOT BE DISCLOSED, REPRODUCED OR USED WITHOUT EXPRESS WRITTEN CONSENT FROM QSC AUDIO PRODUCTS.



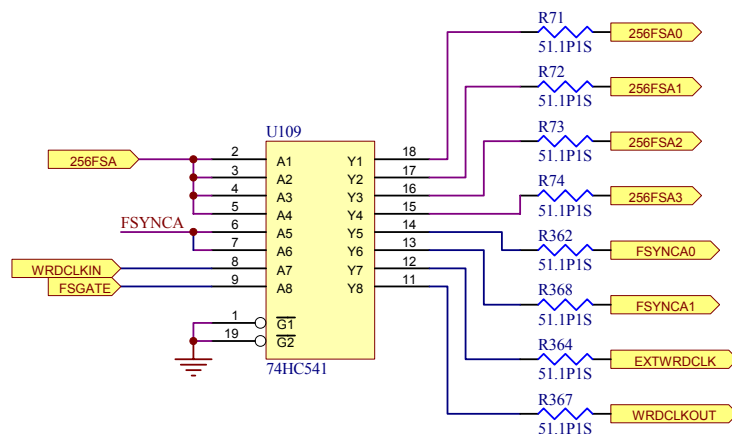
Independent "bit clocks" for audio converters (128FS)

Inverted "frame synch" control for multiplexing two converters onto each SSI stream (2FS)



Independent "L/R" clocks for audio converters (FS)

Independent gated "bit clocks" for even numbered DACs (128FS)



Independent "master" clocks for audio converters (256FS)

"Frame synch" control for multiplexing two converters onto each SSI stream (2FS)

External word clock from BNC input (750 Hz to FS)

Word clock to drive BNC output (Buddy Link and synchronization driver) (FS)

QSC AUDIO PRODUCTS, INC. 1675 MACARTHUR BLVD. COSTA MESA, CA 92626

Title: **RAVE Analog I/O Signal Drivers**

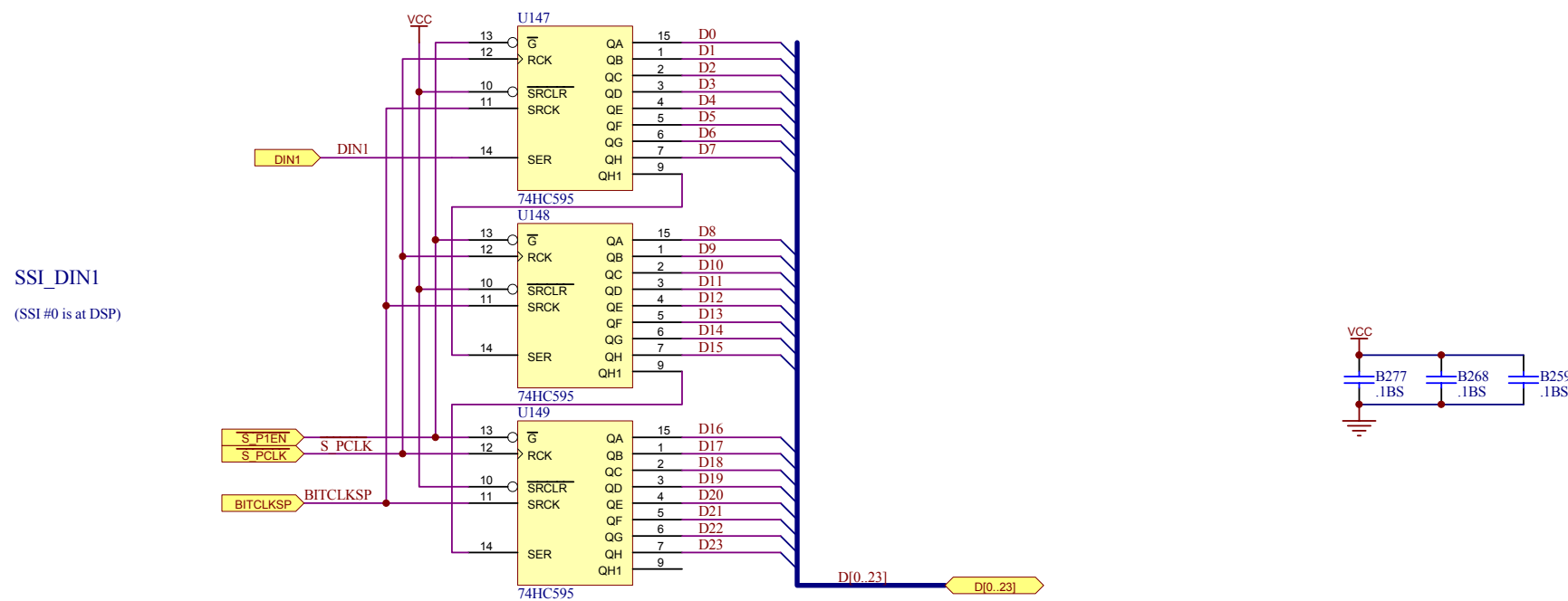
Size: **B** Number: **SH-000864-00** Rev: **A**

File: C:\DATA\SCH\RAVE\Analog\Working\RAVE_beta2\864A\all\864A_all.DDB - Documents\qsc\catg.sch

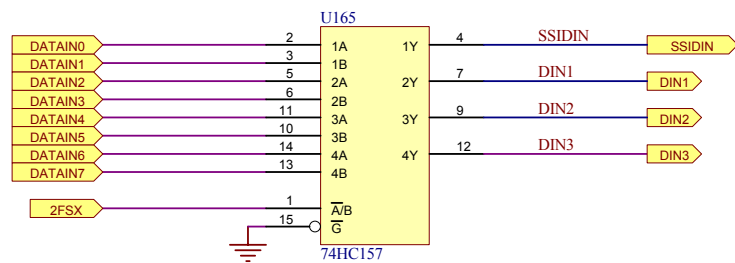
Date: 11-Jan-2002 Eng: DARRYL HOCH Sheet 17 of 35

THIS DOCUMENT CONTAINS PROPRIETARY INFORMATION WHICH IS THE PROPERTY OF QSC AUDIO PRODUCTS. THAT MAY NOT BE DISCLOSED, REPRODUCED OR USED WITHOUT EXPRESS WRITTEN CONSENT FROM QSC AUDIO PRODUCTS.

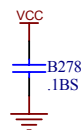
24-bit serial audio from ADCs (U7 and U8) to DSP data bus



Serial data (SDATA) outputs from ADCs

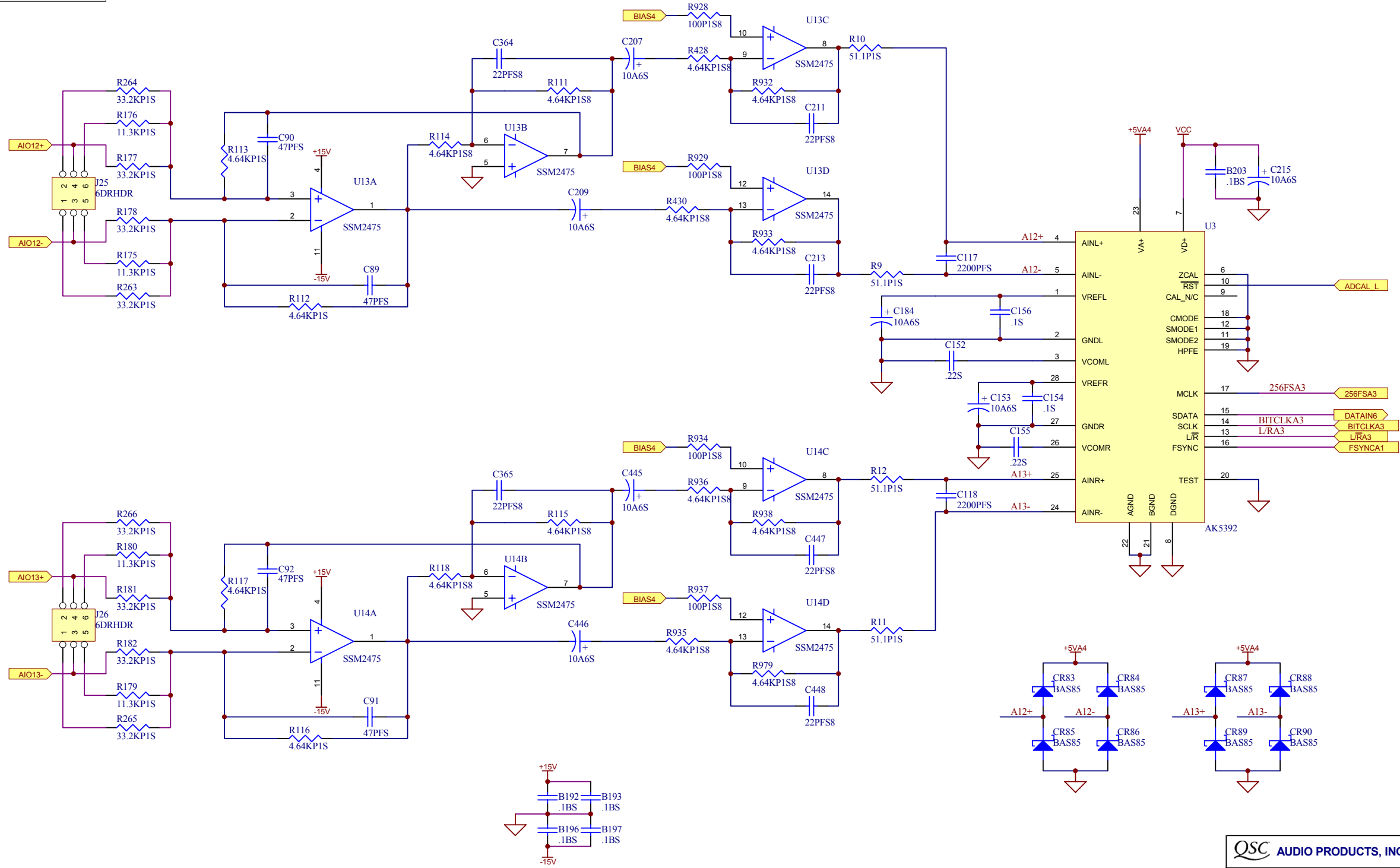


SSI data in streams (0..3)



QSC AUDIO PRODUCTS, INC.		1675 MACARTHUR BLVD. COSTA MESA, CA 92626	
Title: RAVE Analog Input Multiplexer #0			
Size: B	Number: SH-000864-00	Rev A	
File: C:\DATA\SCH\RAVE\Analog\Working\RAVE_beta2\864A\all\864A_all.DDB - Documents\qspaCmux.sch			
Date: 11-Jan-2002	Eng: DARRYL HOCH	Sheet 18 of 35	

THIS DOCUMENT CONTAINS PROPRIETARY INFORMATION WHICH IS THE PROPERTY OF QSC AUDIO PRODUCTS. THAT MAY NOT BE DISCLOSED, REPRODUCED OR USED WITHOUT EXPRESS WRITTEN CONSENT FROM QSC AUDIO PRODUCTS.



QSC AUDIO PRODUCTS, INC. 1675 MACARTHUR BLVD. COSTA MESA, CA 92626

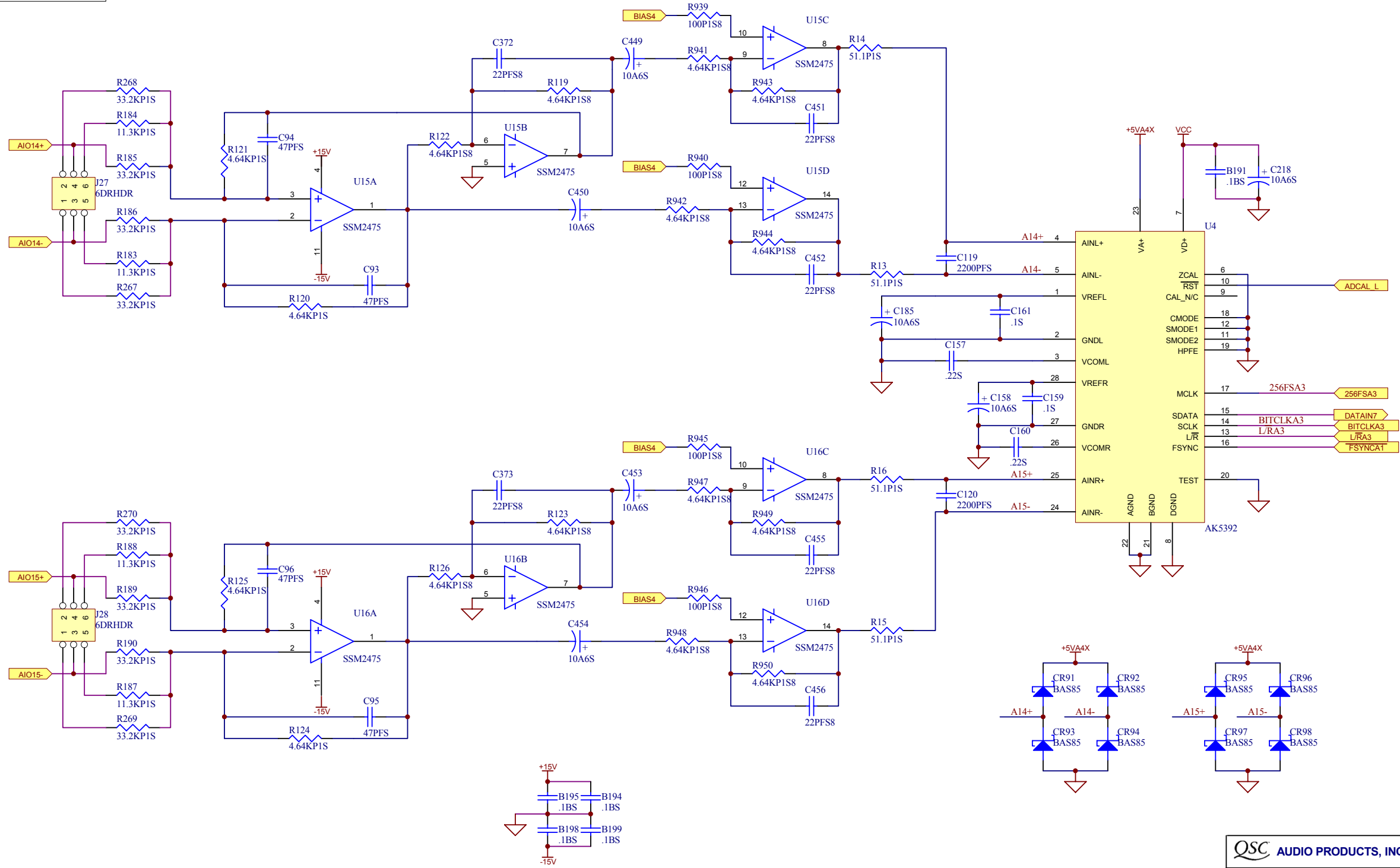
Title: **RAVE Analog Inputs # 12-13**

Size: **B** Number: **SH-000864-00** Rev: **A**

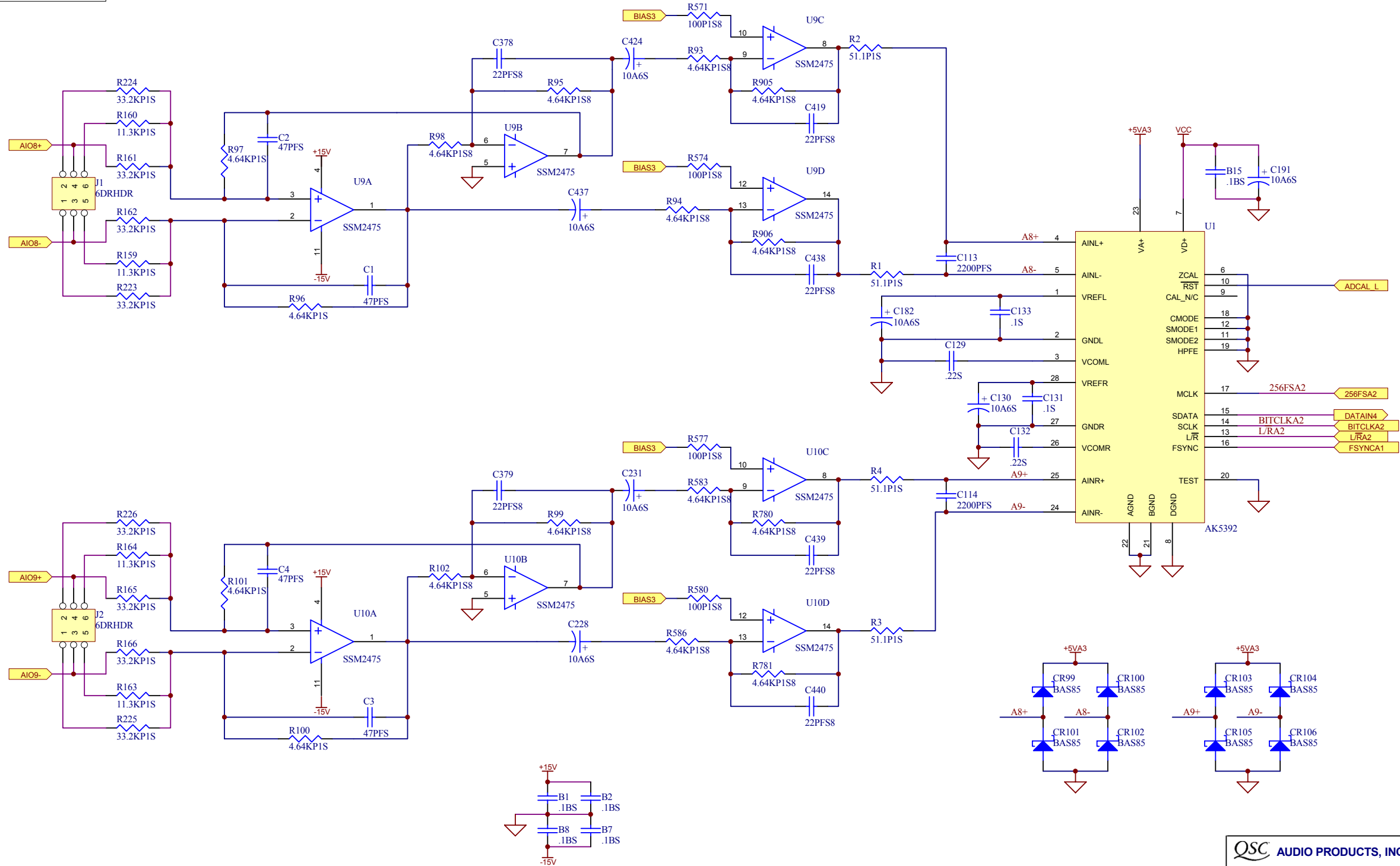
File: C:\DATA\SCH\RAVE\Analog\Working\RAVE_beta2\864A\all\864A_all.DDB - Documents\qspa\Ca16.sch

Date: 11-Jan-2002 Eng: DARRYL HOCH Sheet 19 of 35

THIS DOCUMENT CONTAINS PROPRIETARY INFORMATION WHICH IS THE PROPERTY OF QSC AUDIO PRODUCTS. THAT MAY NOT BE DISCLOSED, REPRODUCED OR USED WITHOUT EXPRESS WRITTEN CONSENT FROM QSC AUDIO PRODUCTS.



THIS DOCUMENT CONTAINS PROPRIETARY INFORMATION WHICH IS THE PROPERTY OF QSC AUDIO PRODUCTS. THAT MAY NOT BE DISCLOSED, REPRODUCED OR USED WITHOUT EXPRESS WRITTEN CONSENT FROM QSC AUDIO PRODUCTS.



QSC AUDIO PRODUCTS, INC. 1675 MACARTHUR BLVD. COSTA MESA, CA 92626

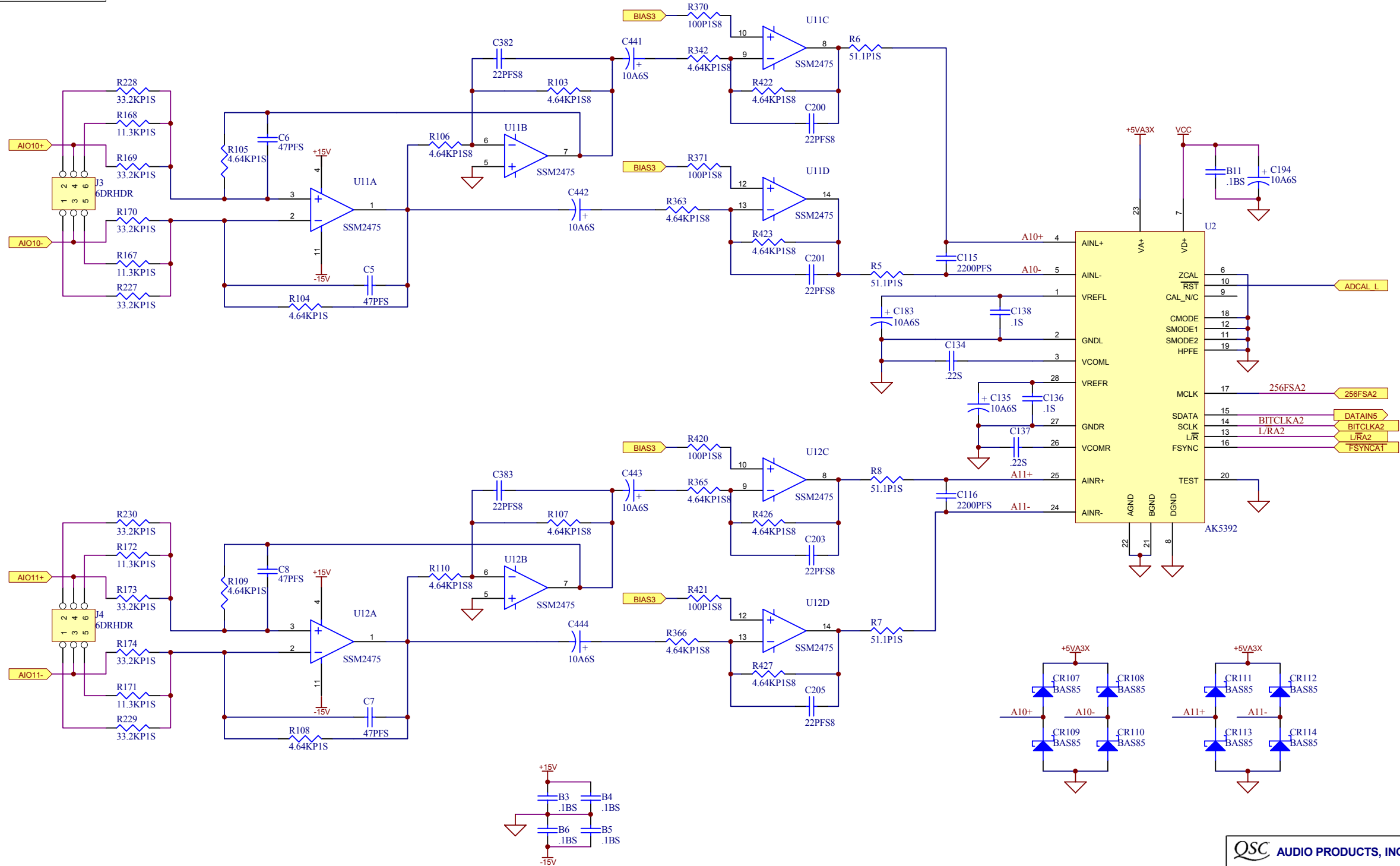
Title: **RAVE Analog Inputs # 8-9**

Size: **B** Number: **SH-000864-00** Rev: **A**

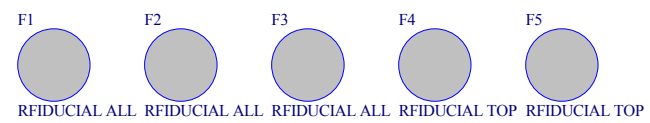
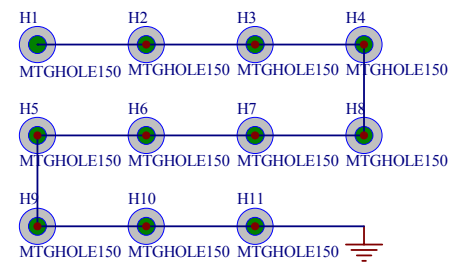
File: C:\DATA\SCH\RAVE\Analog\Working\RAVE_beta2\864A\all\864A_all.DDB - Documents\qspa\Ca14.sch

Date: 11-Jan-2002 Eng: DARRYL HOCH Sheet 21 of 35

THIS DOCUMENT CONTAINS PROPRIETARY INFORMATION WHICH IS THE PROPERTY OF QSC AUDIO PRODUCTS. THAT MAY NOT BE DISCLOSED, REPRODUCED OR USED WITHOUT EXPRESS WRITTEN CONSENT FROM QSC AUDIO PRODUCTS.

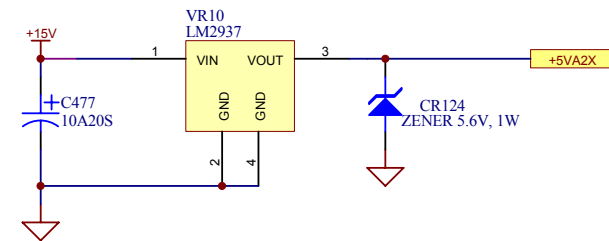
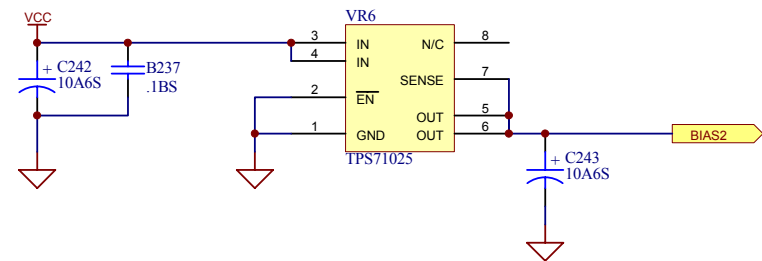
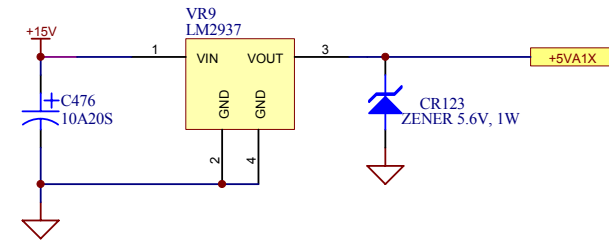
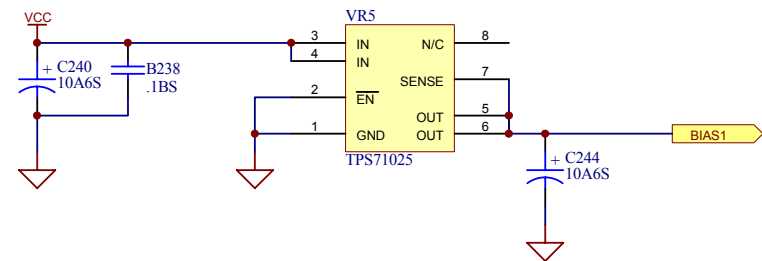


THIS DOCUMENT CONTAINS PROPRIETARY INFORMATION WHICH IS THE PROPERTY OF QSC AUDIO PRODUCTS. THAT MAY NOT BE DISCLOSED, REPRODUCED OR USED WITHOUT EXPRESS WRITTEN CONSENT FROM QSC AUDIO PRODUCTS.

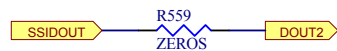


QSC AUDIO PRODUCTS, INC.		1675 MACARTHUR BLVD. COSTA MESA, CA 92626	
Title: RAVE Analog, Mech & Spare Cmpnt			
Size: B	Number: SH-00864-00	Rev A	
File: C:\DATA\SCH\RAVE\Analog\Working\RAVE_beta2\864A\all\864A_all.DDB - Documents\qspaCmec.sch			
Date: 11-Jan-2002	Eng: DARRYL HOCH	Sheet 29 of 35	

THIS DOCUMENT CONTAINS PROPRIETARY INFORMATION WHICH IS THE PROPERTY OF QSC AUDIO PRODUCTS. THAT MAY NOT BE DISCLOSED, REPRODUCED OR USED WITHOUT EXPRESS WRITTEN CONSENT FROM QSC AUDIO PRODUCTS.



SSI swap for RAVE 188s-24
(Channel 1 output goes to PCB output 9)



SSI swap for RAVE 188s-24
(Channel 5 output goes to PCB output 13)



QSC AUDIO PRODUCTS, INC. 1675 MACARTHUR BLVD. COSTA MESA, CA 92626

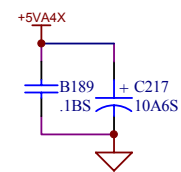
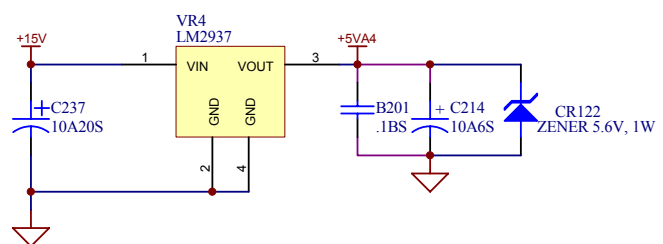
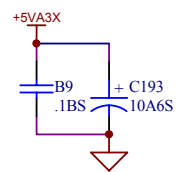
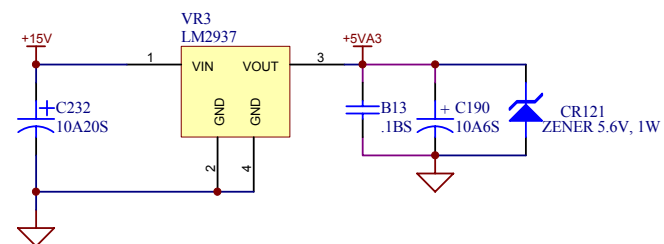
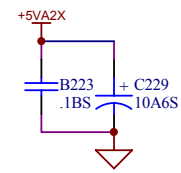
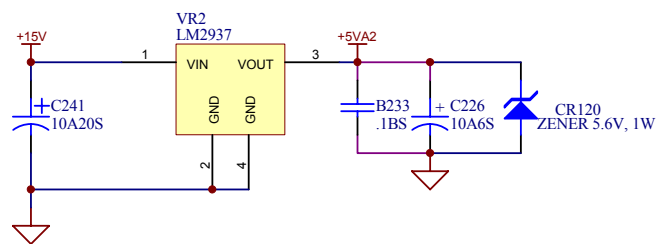
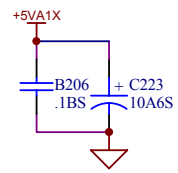
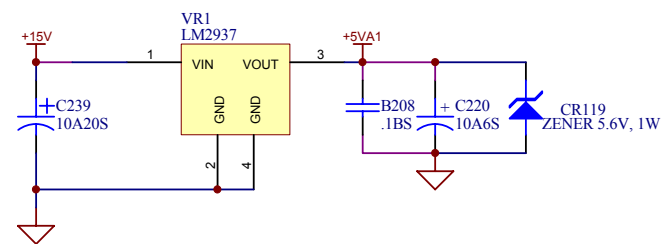
Title: RAVE Analog, +2.5V Voltage Reg

Size: B Number: SH-000864-00 Rev: A

File: C:\DATA\SCH\RAVE\Analog\Working\RAVE_beta2\864A\all\864A_all.DDB - Documents\qspaCvr2.sch

Date: 11-Jan-2002 Eng: DARRYL HOCH Sheet 32 of 35

THIS DOCUMENT CONTAINS PROPRIETARY INFORMATION WHICH IS THE PROPERTY OF QSC AUDIO PRODUCTS. THAT MAY NOT BE DISCLOSED, REPRODUCED OR USED WITHOUT EXPRESS WRITTEN CONSENT FROM QSC AUDIO PRODUCTS.



QSC AUDIO PRODUCTS, INC. 1675 MACARTHUR BLVD.
COSTA MESA, CA 92626

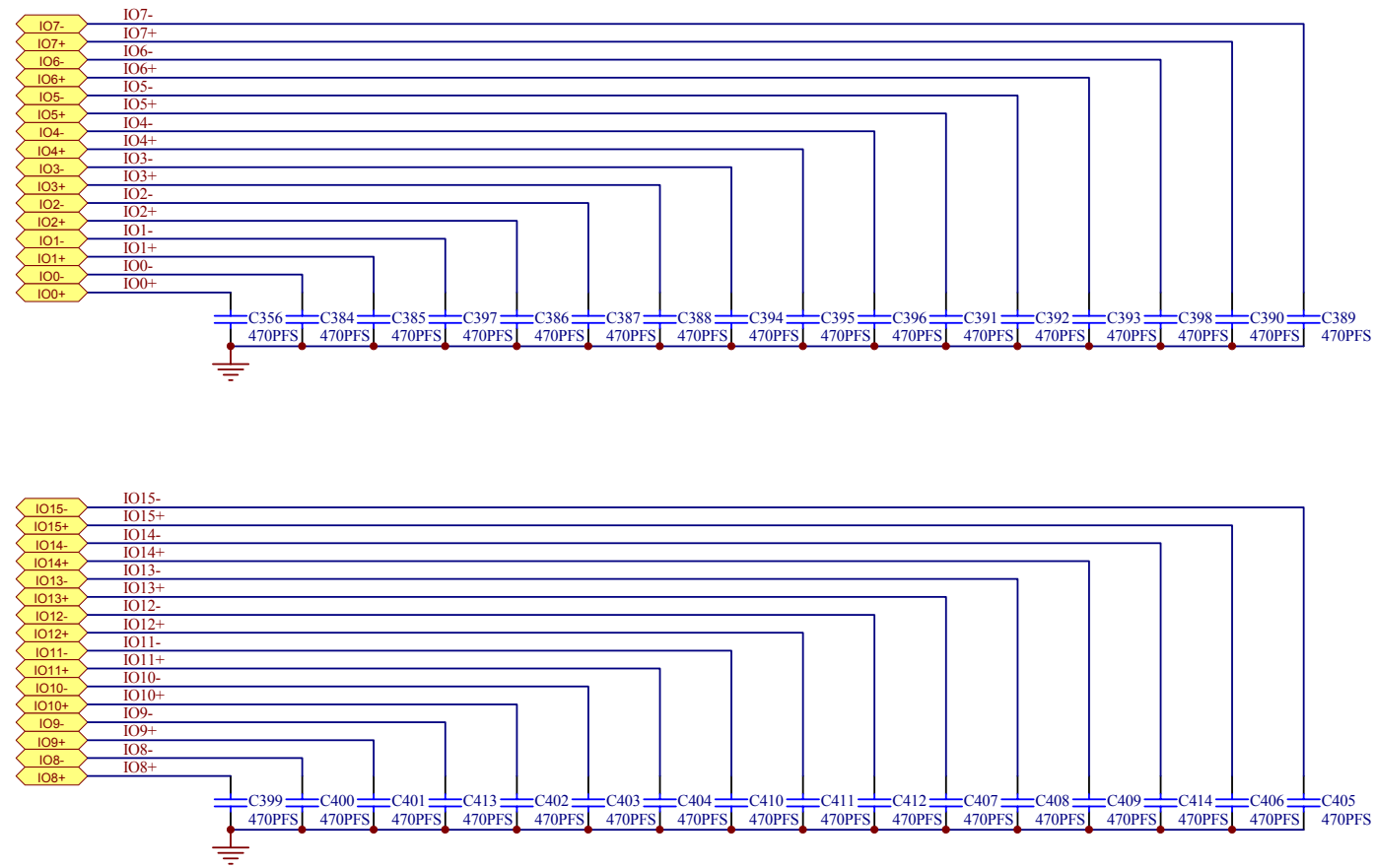
Title: **RAVE Analog, +5V Voltage Reg**

Size: **B** Number: **SH-000864-00** Rev: **A**

File: C:\DATA\SHIRAVE\Analog\Working\RAVE_beta2\864A\all\864A_all.DDB - Documents\qspaCvvp.sch

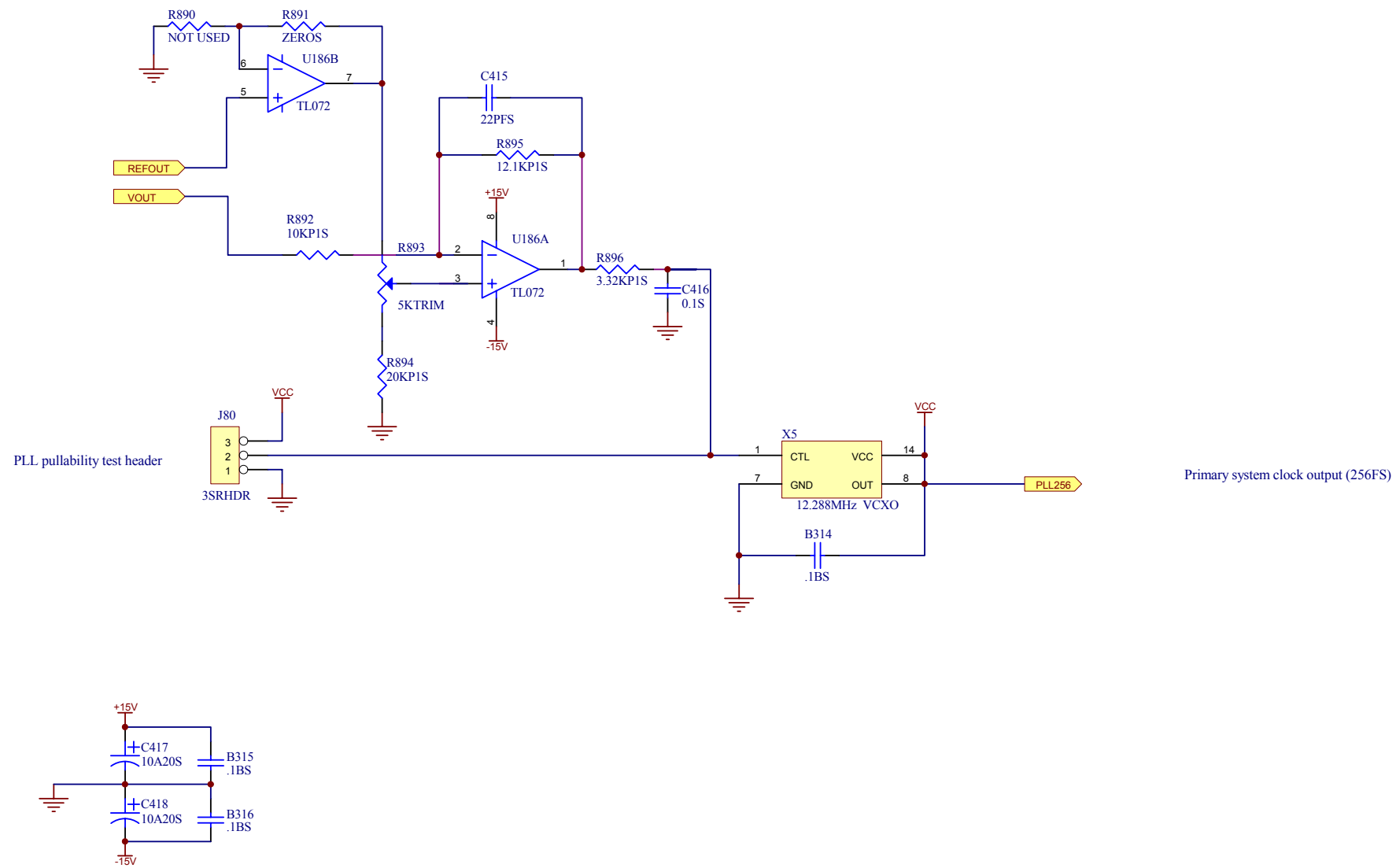
Date: 11-Jan-2002 Eng: DARRYL HOCH Sheet 33 of 35

THIS DOCUMENT CONTAINS PROPRIETARY INFORMATION WHICH IS THE PROPERTY OF QSC AUDIO PRODUCTS. THAT MAY NOT BE DISCLOSED, REPRODUCED OR USED WITHOUT EXPRESS WRITTEN CONSENT FROM QSC AUDIO PRODUCTS.



QSC AUDIO PRODUCTS, INC.		1675 MACARTHUR BLVD. COSTA MESA, CA 92626	
Title: RAVE Analog, 161 input caps			
Size: B	Number: SH-000864-00	Rev A	
File: C:\DATA\SCH\RAVE\Analog\Working\RAVE_beta2\864A\all\864A_all.DDB - Documents\qspaCcp1.sch			
Date: 11-Jan-2002	Eng: DARRYL HOCH	Sheet 34 of 35	

THIS DOCUMENT CONTAINS PROPRIETARY INFORMATION WHICH IS THE PROPERTY OF QSC AUDIO PRODUCTS. THAT MAY NOT BE DISCLOSED, REPRODUCED OR USED WITHOUT EXPRESS WRITTEN CONSENT FROM QSC AUDIO PRODUCTS.



QSC AUDIO PRODUCTS, INC. 1675 MACARTHUR BLVD. COSTA MESA, CA 92626

Title: **RAVE Analog PLL / VCXO**

Size: **B** Number: **SH-000864-00** Rev **A**

Date: 11-Jan-2002 Eng: DARRYL HOCH Sheet 35 of 35

File: C:\DATA\SCH\RAVE\Analog\Working\RAVE_beta2\864A\all\864A_all.DDB - Documents\qspaCpll.sch