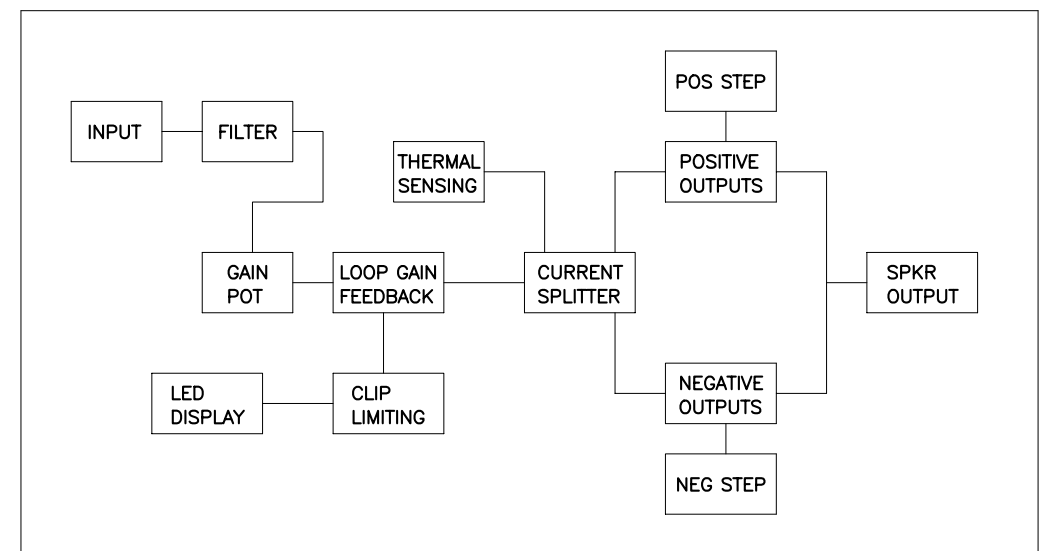
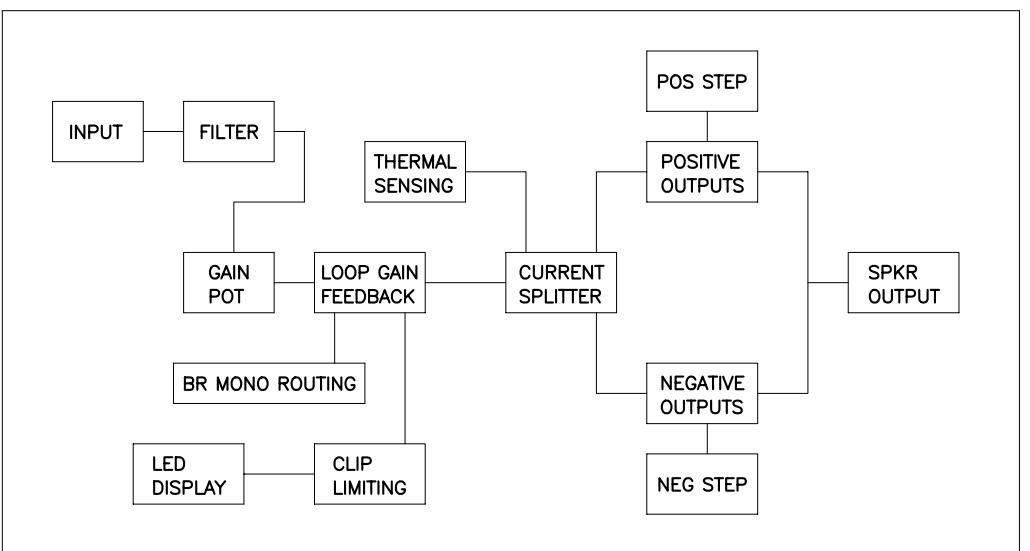


THIS DOCUMENT CONTAINS PROPRIETARY INFORMATION WHICH IS THE PROPERTY OF QSC AUDIO PRODUCTS, THAT MAY NOT BE DISCLOSED, REPRODUCED OR USED WITHOUT EXPRESS WRITTEN CONSENT FROM QSC AUDIO PRODUCTS.

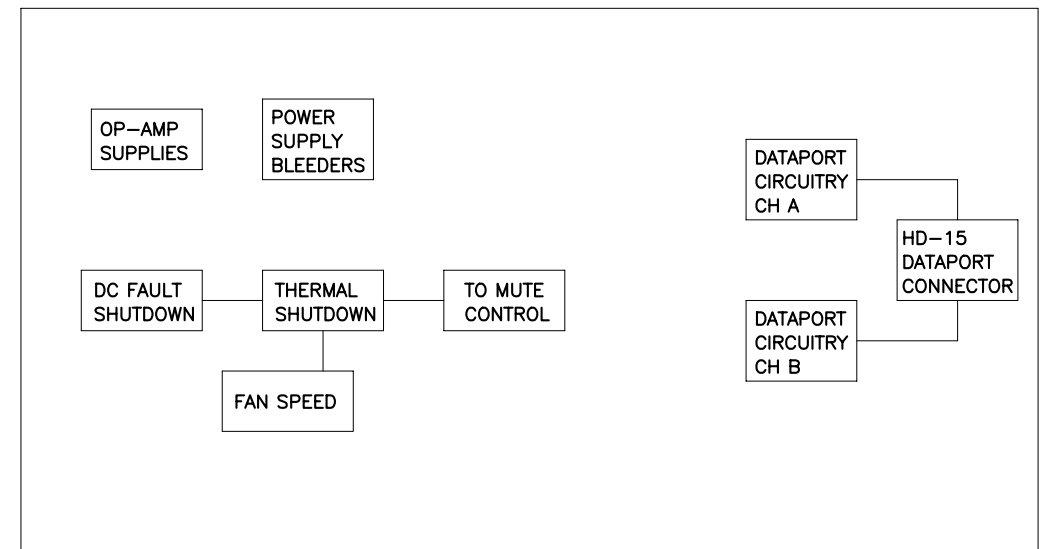
REVISION				
REV	DESCRIPTION	EFF. DATE	CHK	APPROVED / DATE
A	PRODUCTION REVISION PER ECO 5556 AA	12-06-02		



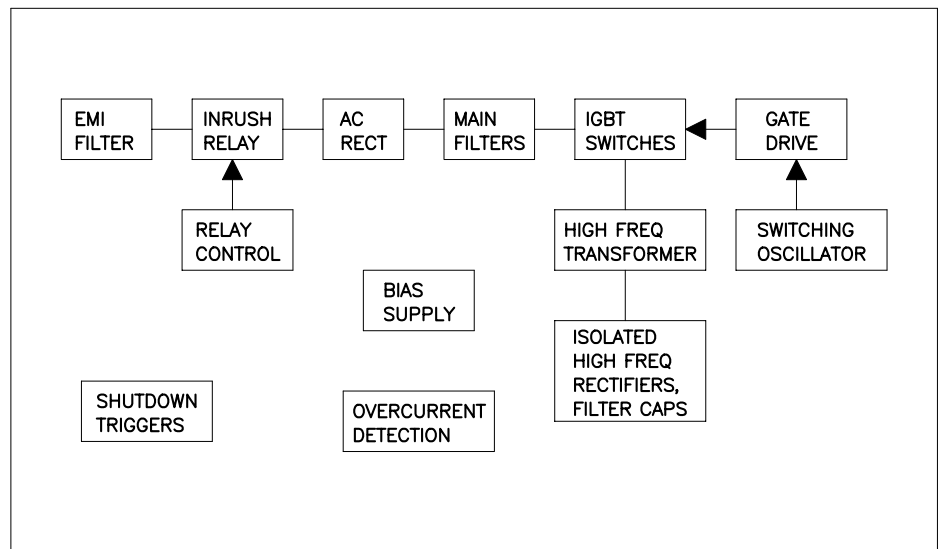
CHANNEL A  
AUDIO CIRCUITS  
SHEET 2



CHANNEL B  
AUDIO CIRCUITS  
SHEET 3



SUPPORT,  
PROTECTION  
AND DATAPORT  
CIRCUITS  
SHEET 4



SWITCHING  
POWER  
SUPPLY  
SHEET 5

- 8. ZENER TOLERANCE IS 5%
  - 7. SMT CAPACITOR VOLTAGE IS 50V
  - 6. SMT RESISTOR WATTAGE RATING IS 0.1W
  - 5. RESISTOR WATTAGE RATING IS 1/4W  
FOR RESISTOR WATTAGE RATINGS GREATER THAN 1W, TOLERANCE IS 5%  
FOR RESISTOR WATTAGE RATINGS LESS THAN 1/2W, TOLERANCE IS 1%
  - 4. THROUGH-HOLE FILM AND CERAMIC CAPACITOR TOLERANCE IS 10%, VOLTAGE IS 100V
  - 3. ELECTROLYTIC CAPACITOR TOLERANCE IS 20%
  - 2. COMPONENTS WITH VALUE PREFIXED WITH A "\*" REPRESENT SMT COMPONENTS.
  - 1. THIS DRAWING USED IN CONJUNCTION WITH PC-003606-00 AND SH-002425-XX.
- NOTES: UNLESS OTHERWISE SPECIFIED

TABULATION BLOCK			
DASH NO.	F1	1	R321, 322, 326, 328 2
-00 (120V)	25A, 125V		487K
-01 (100V)	25A, 125V		392K
-02 (230V)	15A, 250V		487K

QTY	ITEM NO.	PART NO.	DESCRIPTION	VENDOR
UNLESS OTHERWISE SPECIFIED DIMENSIONS ARE IN INCHES. DIMENSIONS PER ANSI Y14.5-1982 TOLERANCES ARE: DECIMALS DECIMALS ANGLES .XX ± .XXX ± ° DEBURR EDGES .XXX R MAX MATERIAL				
CONTRACT NO.		APPROVALS DATE		
DRAWN PAT QUILTER		5-24-02		
CHECKED				
ISSUED				
CAD SEED FILE NO.		PLOT DATE: Fri Dec 06, 2002		
APPLICATION		DO NOT SCALE DRAWING		

**QSC AUDIO PRODUCTS, INC.**  
COSTA MESA, CALIFORNIA

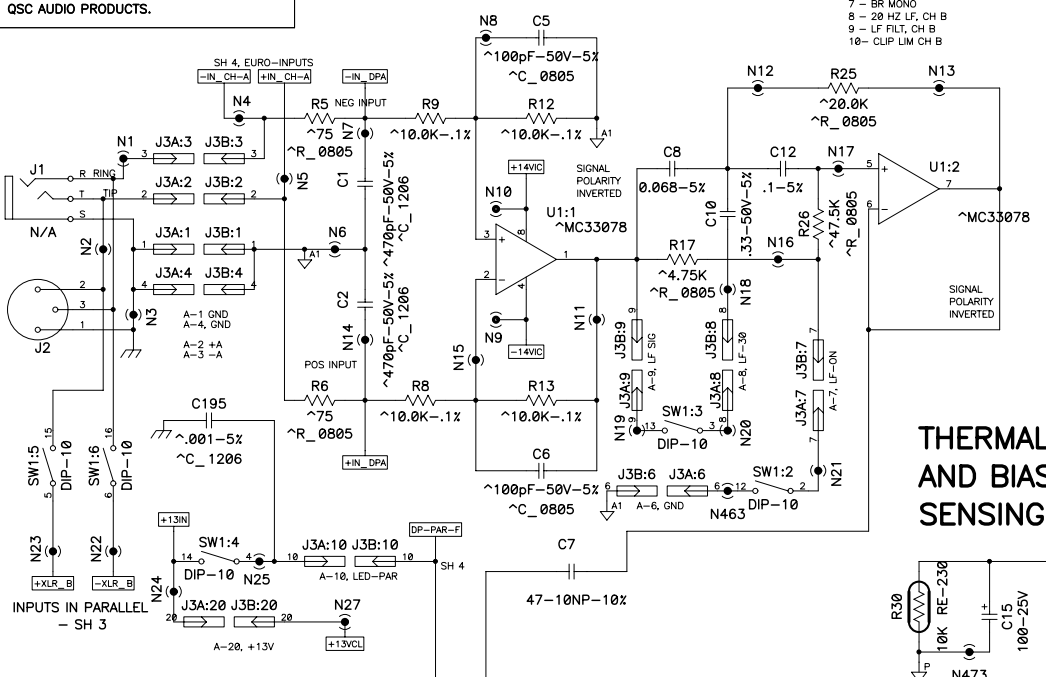
**SCHEMATIC DIAGRAM**  
**SRA2422**

SIZE: D FSCM NO. DWG NO. SH-002425-00 REV A  
SCALE: NONE CAD FILE NO. SH2425RA.sch SHEET 1 OF 5  
F:\ADMIN\SH\SH002425\CUR\_REV

DWG NO. SH-002425-00  
REV 1

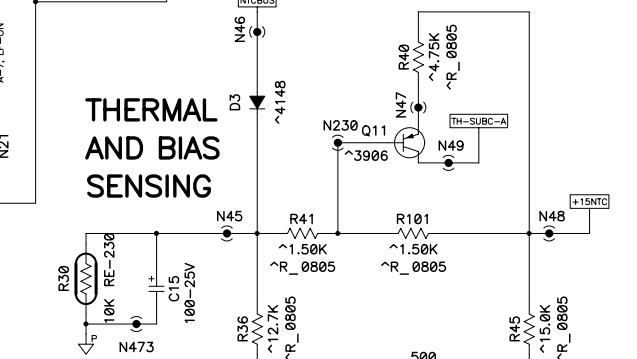
THIS DOCUMENT CONTAINS PROPRIETARY INFORMATION WHICH IS THE PROPERTY OF QSC AUDIO PRODUCTS. THAT MAY NOT BE DISCLOSED, REPRODUCED OR USED WITHOUT EXPRESS WRITTEN CONSENT FROM QSC AUDIO PRODUCTS.

### INPUT AND FILTER SECTION, CH A

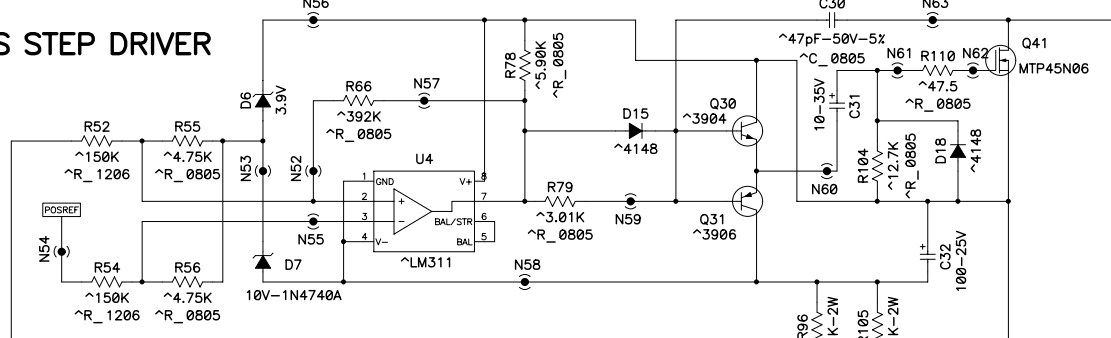


- DIP SWITCH TABLE, 10-POS
- 1 - CLIP LIM, CH-A
  - 2 - LF FILT, CH-A
  - 3 - 20 HZ LF, CH-A
  - 4 - PAR INPUT LED
  - 5 - PAR INPUTS, +
  - 6 - PAR INPUTS, -
  - 7 - BR MONO
  - 8 - 20 HZ LF, CH B
  - 9 - LF FILT, CH B
  - 10 - CLIP LIM CH B

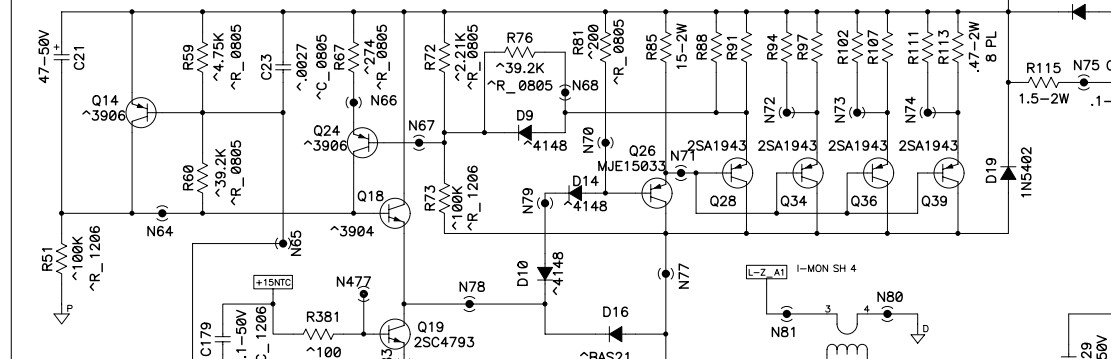
### THERMAL AND BIAS SENSING



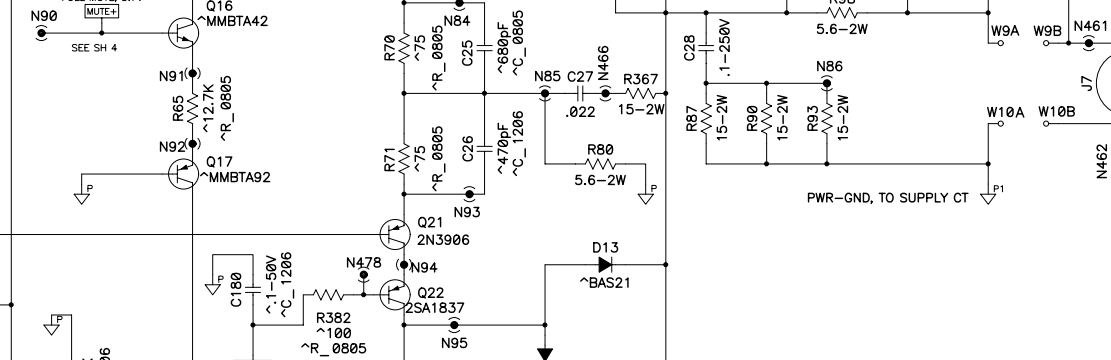
### POS STEP DRIVER



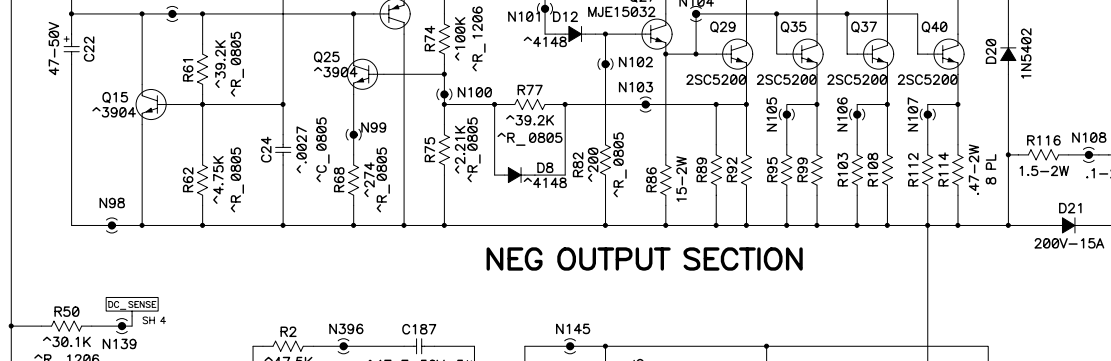
### POS OUTPUT SECTION



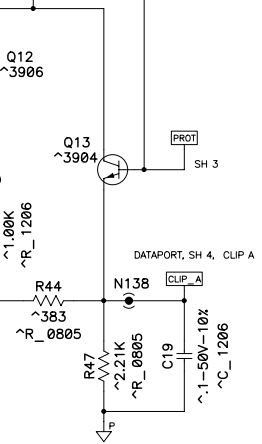
### NEG OUTPUT SECTION



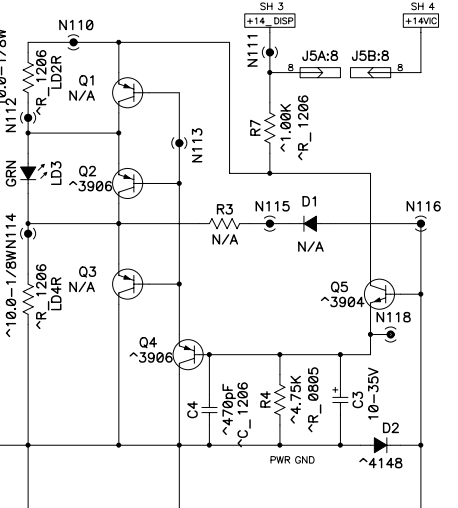
### NEG STEP DRIVER



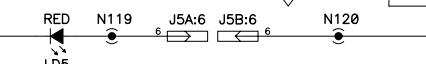
### CLIP-LIMIT PROCESSOR



### LED-SIGNAL DISPLAY

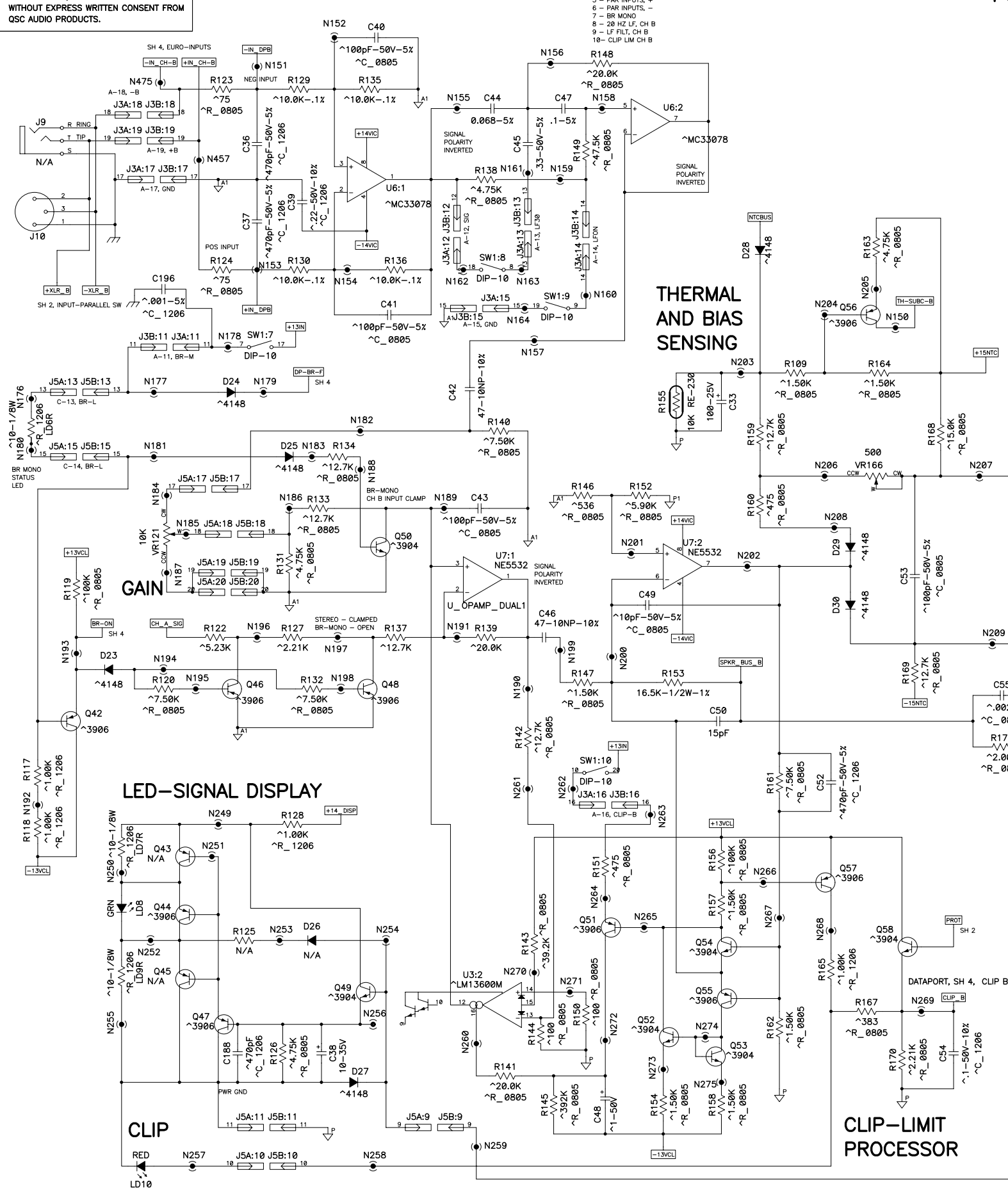


### CLIP

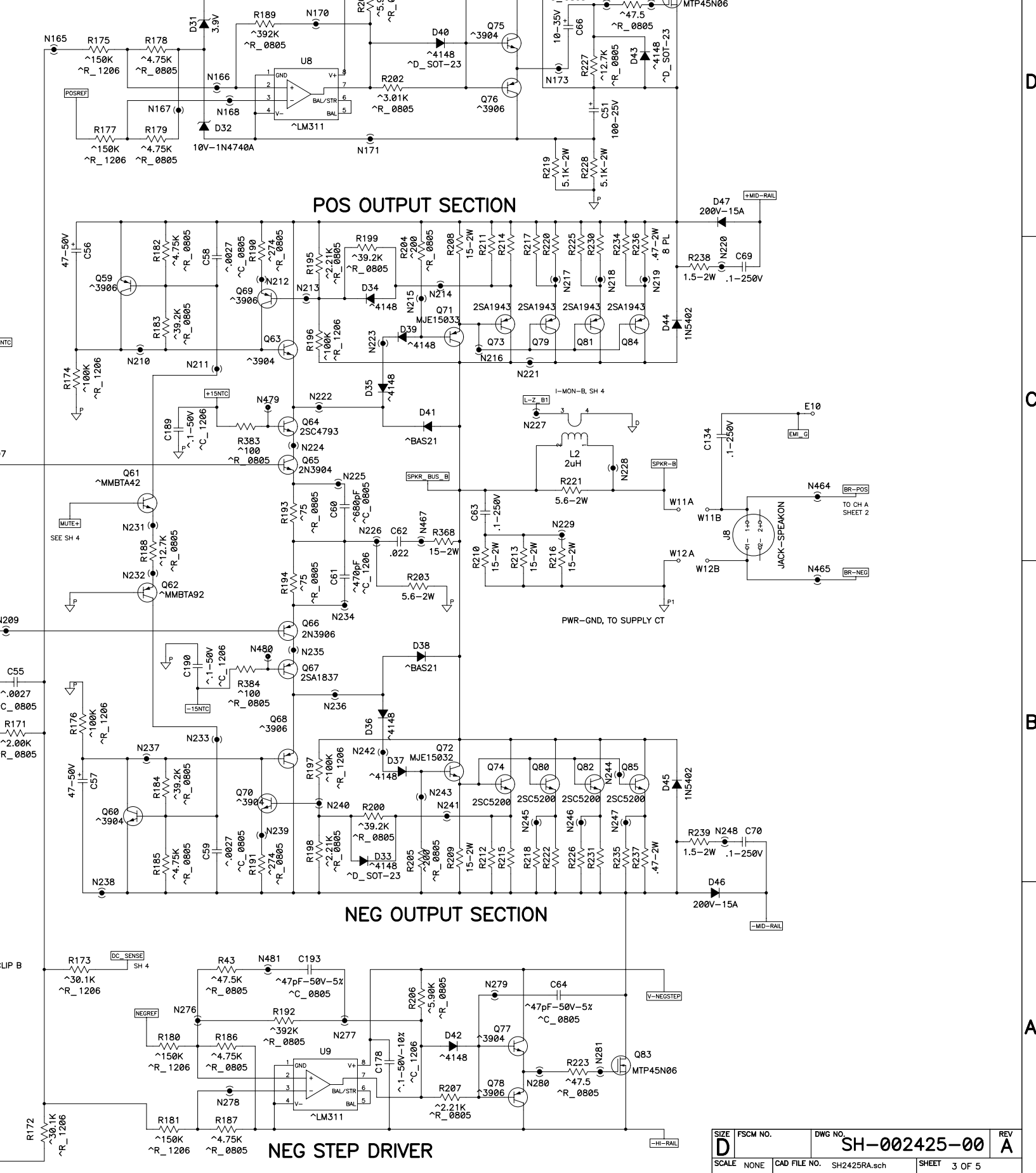


THIS DOCUMENT CONTAINS PROPRIETARY INFORMATION WHICH IS THE PROPERTY OF QSC AUDIO PRODUCTS. THAT MAY NOT BE DISCLOSED, REPRODUCED OR USED WITHOUT EXPRESS WRITTEN CONSENT FROM QSC AUDIO PRODUCTS.

### INPUT AND FILTER SECTION, CH B

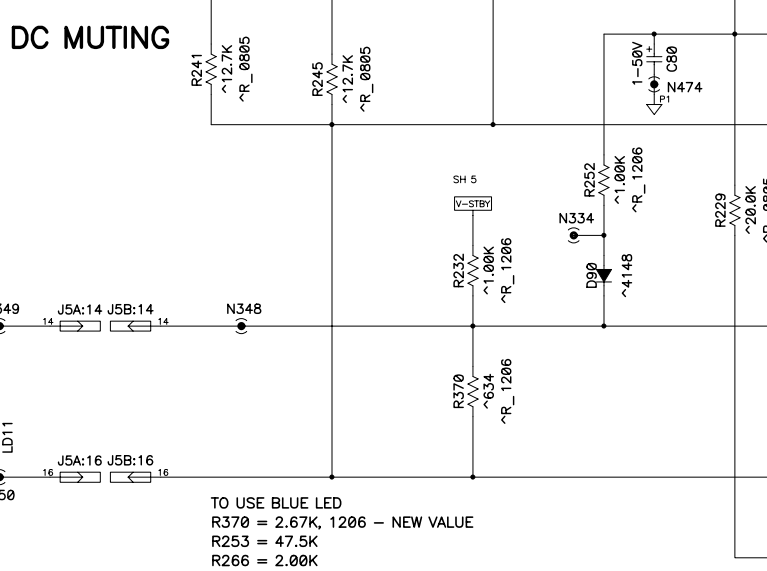
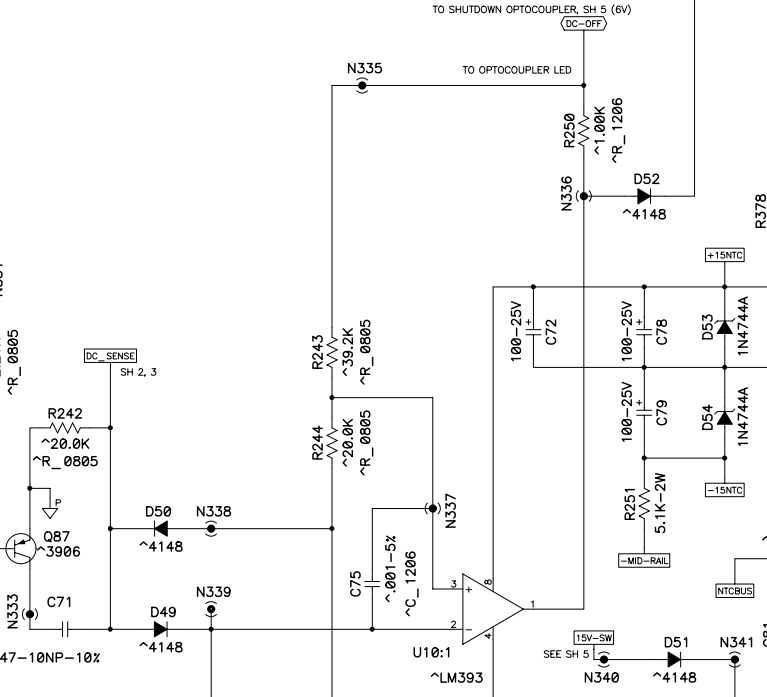
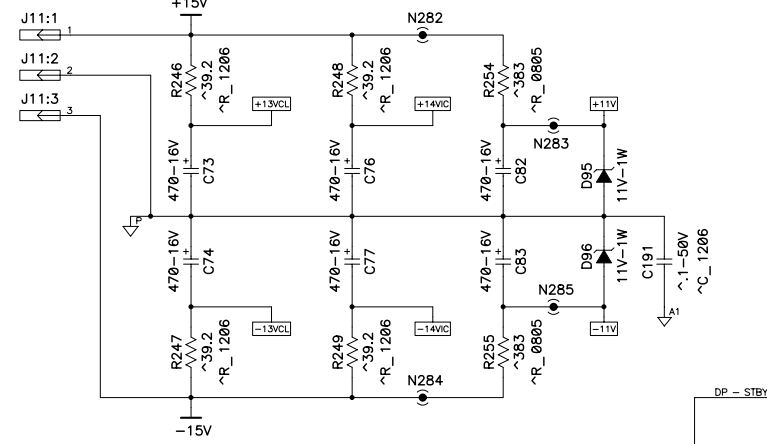


### POS STEP DRIVER



THIS DOCUMENT CONTAINS PROPRIETARY INFORMATION WHICH IS THE PROPERTY OF QSC AUDIO PRODUCTS, THAT MAY NOT BE DISCLOSED, REPRODUCED OR USED WITHOUT EXPRESS WRITTEN CONSENT FROM QSC AUDIO PRODUCTS.

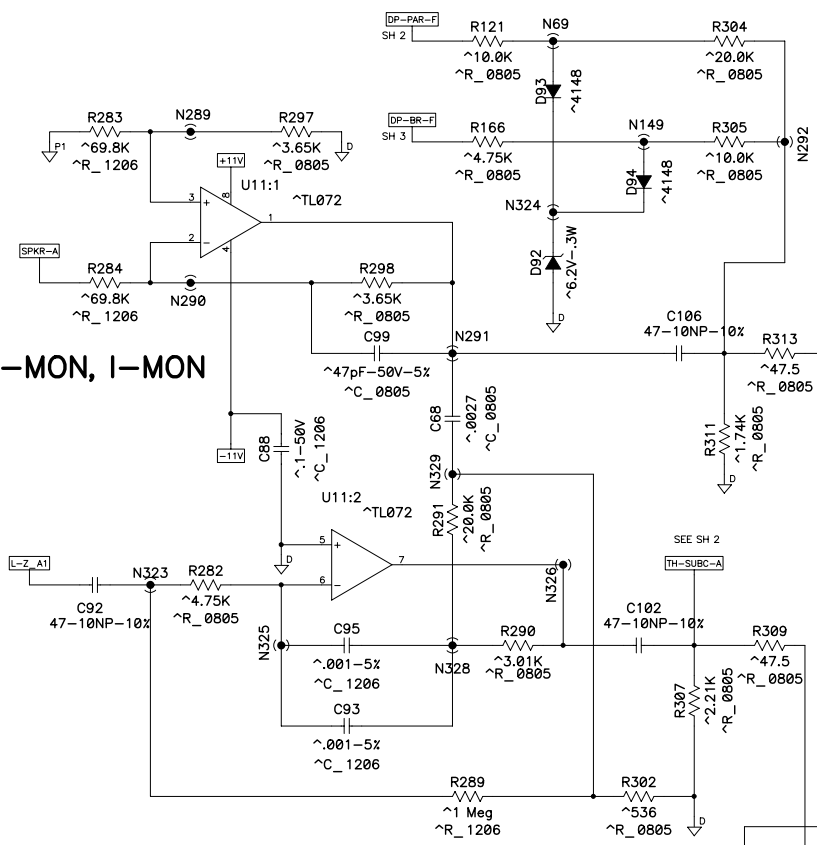
### OPAMP POWER SUPPLIES



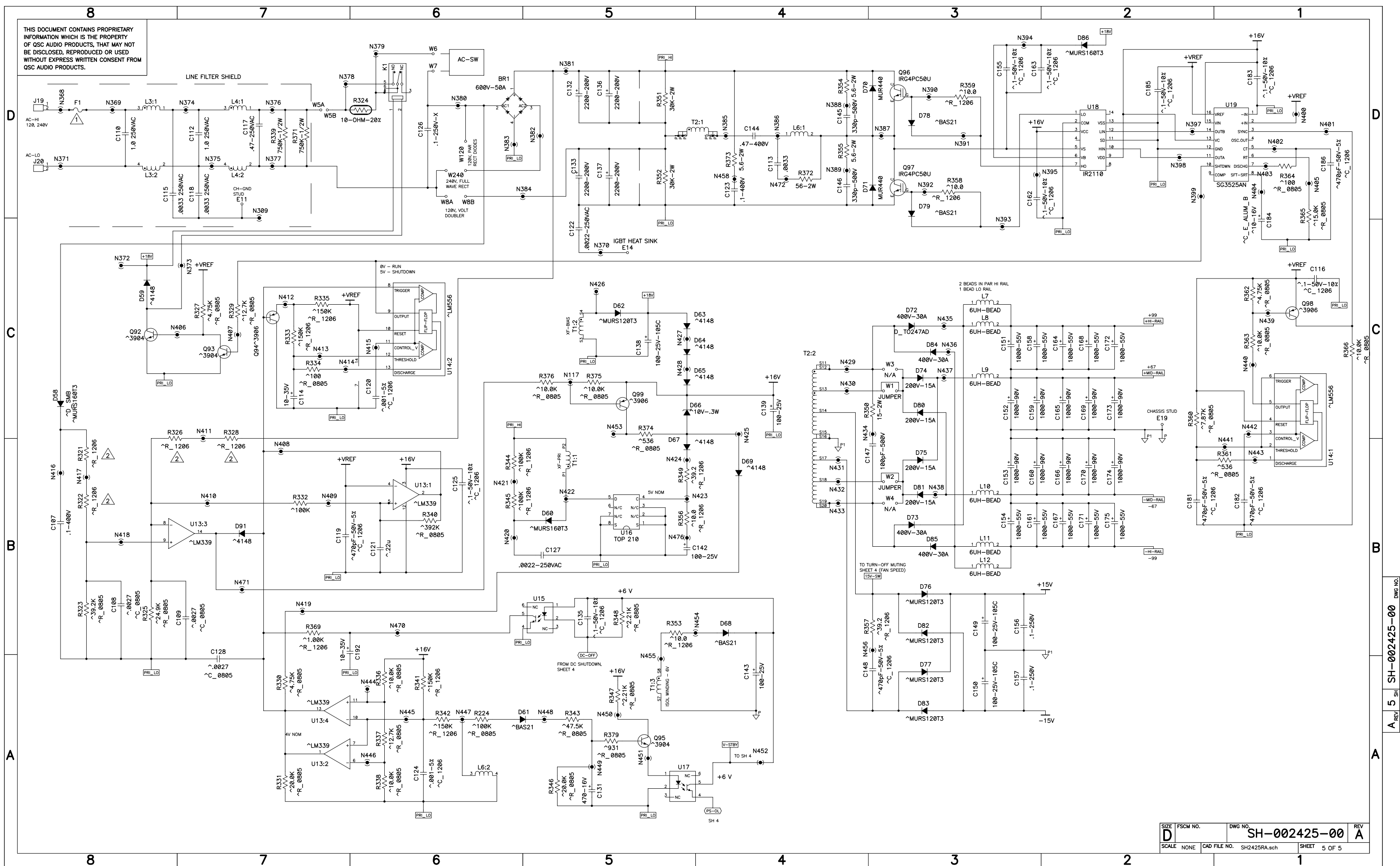
TO USE BLUE LED  
 R370 = 2.67K, 1206 - NEW VALUE  
 R253 = 47.5K  
 R266 = 2.00K  
 R272 = 1.74K  
 TO REDUCE "ON" BRIGHTNESS  
 R252 = 2.67K-1206, SAME NEW VALUE

### FAN SPEED CONTROL

### CH A V-MON, I-MON

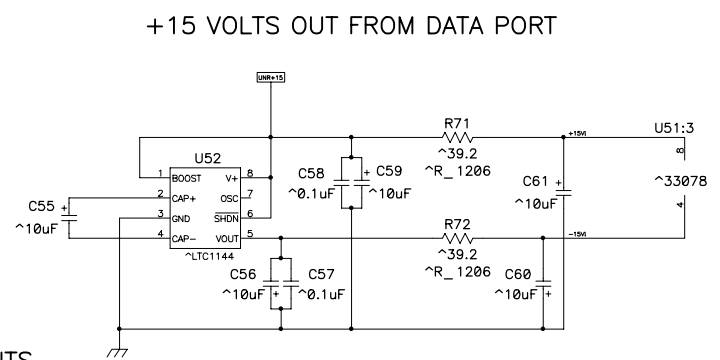
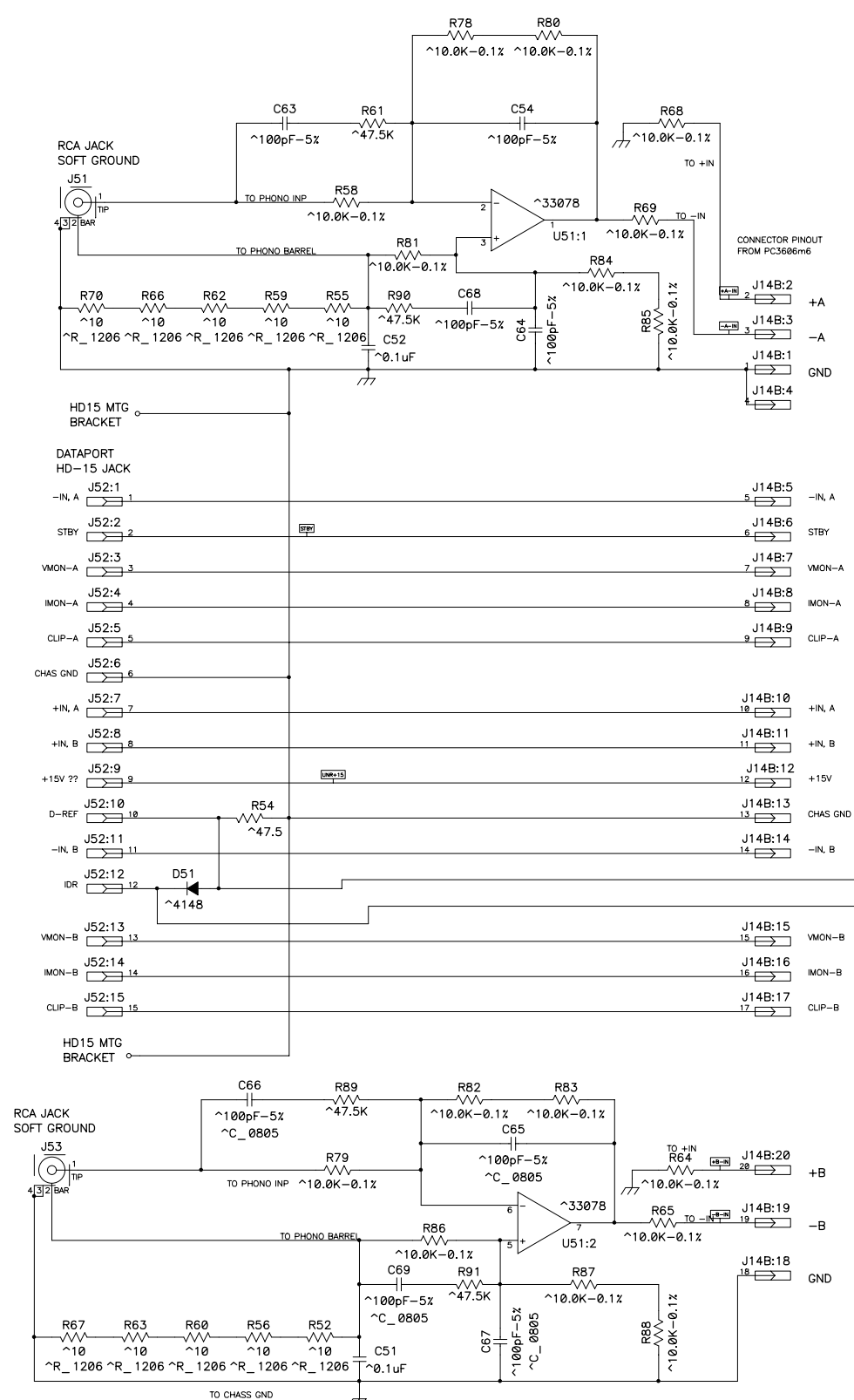


THIS DOCUMENT CONTAINS PROPRIETARY INFORMATION WHICH IS THE PROPERTY OF QSC AUDIO PRODUCTS, THAT MAY NOT BE DISCLOSED, REPRODUCED OR USED WITHOUT EXPRESS WRITTEN CONSENT FROM QSC AUDIO PRODUCTS.

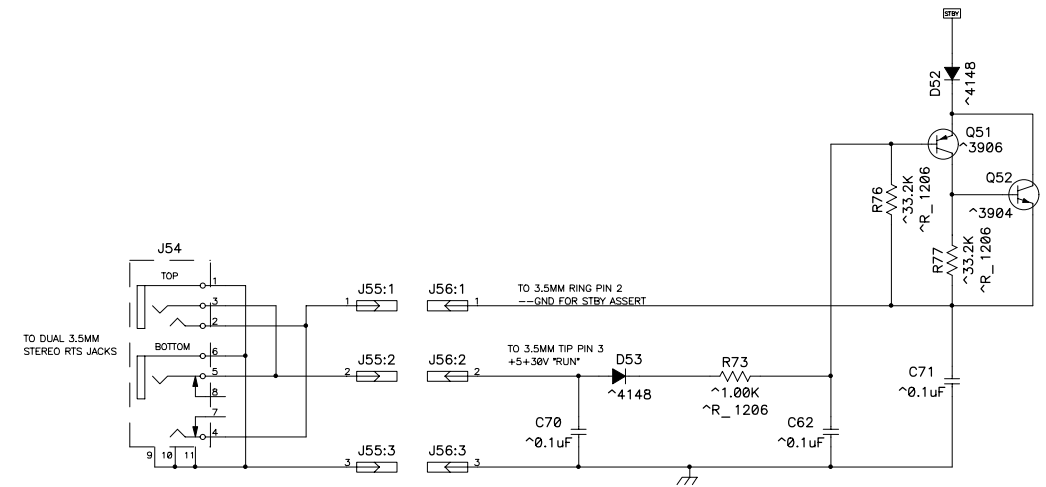
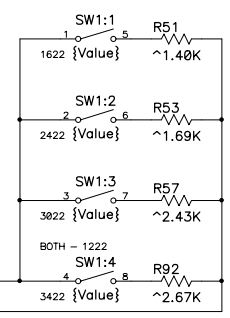


THIS DOCUMENT CONTAINS PROPRIETARY INFORMATION WHICH IS THE PROPERTY OF QSC AUDIO PRODUCTS, THAT MAY NOT BE DISCLOSED, REPRODUCED OR USED WITHOUT EXPRESS WRITTEN CONSENT FROM QSC AUDIO PRODUCTS.

REVISION				
REV	DESCRIPTION	EFF. DATE	CHK	APPROVED / DATE
A	PRODUCTION RELEASE PER ECO 5556 AA	12-06-02		



SWITCHABLE IDR, 5 VALUES, RESERVED FOR 5 POWER POINTS



8. ZENER TOLERANCE IS 5%
  7. SMT CAPACITOR VOLTAGE IS 50V
  6. SMT RESISTOR WATTAGE RATING IS 0.1W
  5. RESISTOR WATTAGE RATING IS 1/4W FOR RESISTOR WATTAGE RATINGS GREATER THAN 1W, TOLERANCE IS 5% FOR RESISTOR WATTAGE RATINGS LESS THAN 1/2W, TOLERANCE IS 1%
  4. THROUGH-HOLE FILM AND CERAMIC CAPACITOR TOLERANCE IS 10%, VOLTAGE IS 100V
  3. ELECTROLYTIC CAPACITOR TOLERANCE IS 20%
  2. COMPONENTS WITH VALUE PREFIXED WITH A "\*" REPRESENT SMT COMPONENTS.
  1. THIS DRAWING USED IN CONJUNCTION WITH ASSEMBLY WP-003624-XX.
- NOTES: UNLESS OTHERWISE SPECIFIED

QTY	ITEM NO.	PART NO.	DESCRIPTION	VENDOR
<b>PARTS LIST</b>				
UNLESS OTHERWISE SPECIFIED DIMENSIONS ARE IN INCHES. DIMENSIONS PER ANSI Y14.5-1982 TOLERANCES ARE:		CONTRACT NO.		
DECIMALS .xx ±	DECIMALS .xxx ±	ANGLES 0	APPROVALS	DATE
DEBURR EDGES .XXX R MAX		DRAWN A. ARANDA 5-24-02		
MATERIAL		CHECKED		
FINISH		ISSUED		
DO NOT SCALE DRAWING		CAD SEED FILE NO.		
PLOT DATE: Mon Nov 03, 2003		SCALE NONE		
SIZE D		FSCM NO.		
DWG NO. SH-003624-00		REV A		
CAD FILE NO. SH3624A.SCH		SHEET 1 OF 1		

**QSC AUDIO PRODUCTS, INC.**  
COSTA MESA, CALIFORNIA

**SCHEMATIC DIAGRAM**  
**INPUT, 2 CH SRA SERIES**

A REV 1 SH-003624-00 DWG NO.