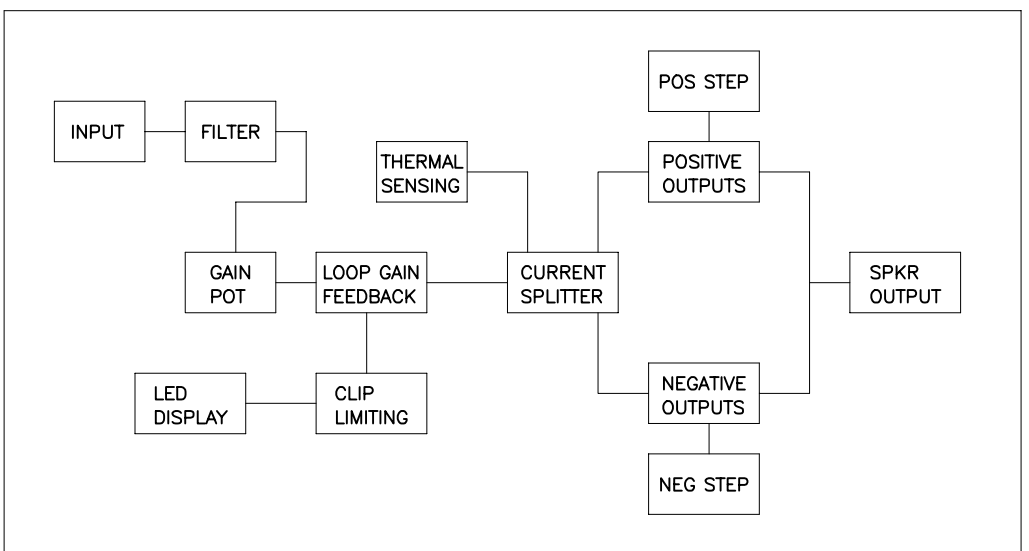
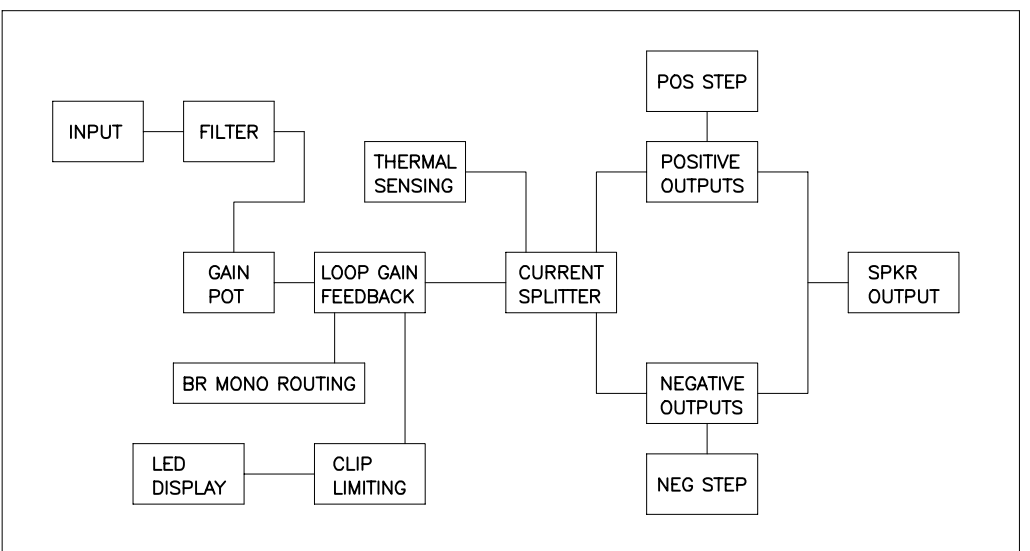


THIS DOCUMENT CONTAINS PROPRIETARY INFORMATION WHICH IS THE PROPERTY OF QSC AUDIO PRODUCTS, THAT MAY NOT BE DISCLOSED, REPRODUCED OR USED WITHOUT EXPRESS WRITTEN CONSENT FROM QSC AUDIO PRODUCTS.

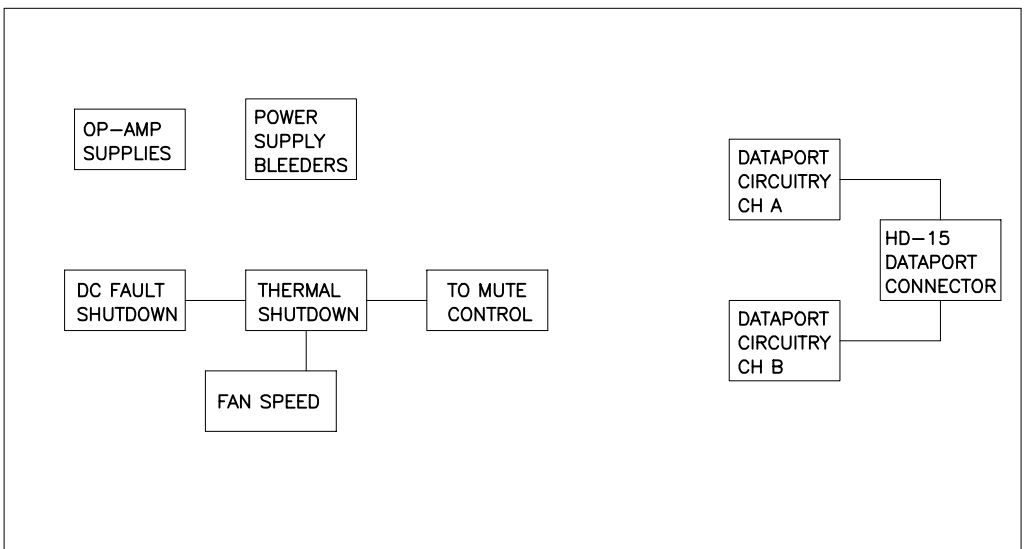
REVISION				
REV	DESCRIPTION	EFF. DATE	CHK	APPROVED / DATE
A	PRODUCTION RELEASE PER ECO 5556 AA	12-06-02		



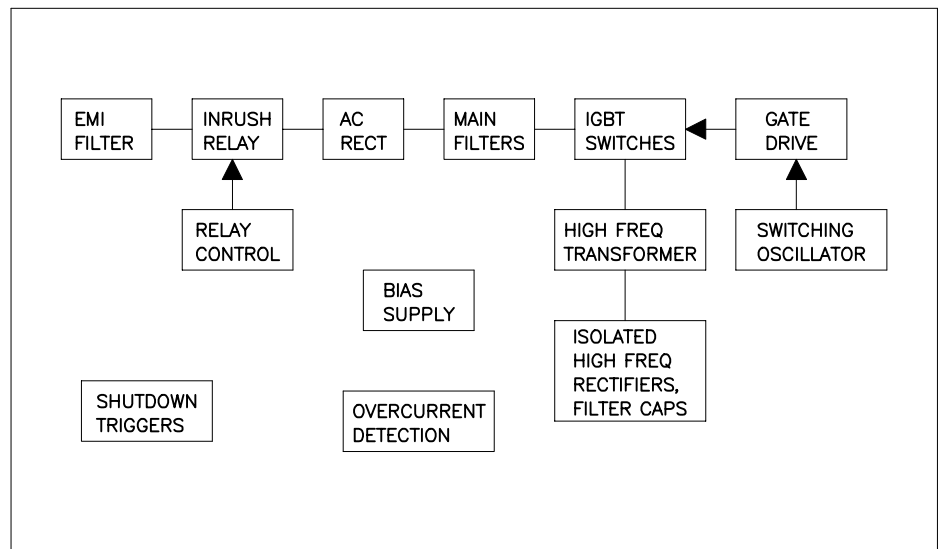
CHANNEL A
AUDIO CIRCUITS
SHEET 2



CHANNEL B
AUDIO CIRCUITS
SHEET 3



SUPPORT,
PROTECTION
AND DATAPORT
CIRCUITS
SHEET 4



SWITCHING
POWER
SUPPLY
SHEET 5

TABULATION BLOCK			
DASH NO.	F1	1	R321, 322, 326, 328 2
-00 (120V)	25A, 125V		487K
-01 (100V)	30A, 125V		392K
-02 (230V)	15A, 250V		487K

- 8. ZENER TOLERANCE IS 5%
 - 7. SMT CAPACITOR VOLTAGE IS 50V
 - 6. SMT RESISTOR WATTAGE RATING IS 0.1W
 - 5. RESISTOR WATTAGE RATING IS 1/4W
FOR RESISTOR WATTAGE RATINGS GREATER THAN 1W, TOLERANCE IS 5%
FOR RESISTOR WATTAGE RATINGS LESS THAN 1/2W, TOLERANCE IS 1%
 - 4. THROUGH-HOLE FILM AND CERAMIC CAPACITOR TOLERANCE IS 10%, VOLTAGE IS 100V
 - 3. ELECTROLYTIC CAPACITOR TOLERANCE IS 20%
 - 2. COMPONENTS WITH VALUE PREFIXED WITH A "*" REPRESENT SMT COMPONENTS.
 - 1. THIS DRAWING USED IN CONJUNCTION WITH ASSEMBLY WP-003623-XX.
- NOTES: UNLESS OTHERWISE SPECIFIED

QTY	ITEM NO.	PART NO.	DESCRIPTION	VENDOR
PARTS LIST				
UNLESS OTHERWISE SPECIFIED DIMENSIONS ARE IN INCHES. DIMENSIONS PER ANSI Y14.5-1982 TOLERANCES ARE: DECIMALS DECIMALS ANGLES .XX ± .XXX ± ° DEBURR EDGES .XXX R MAX MATERIAL FINISH			CONTRACT NO. QSC AUDIO PRODUCTS, INC. COSTA MESA, CALIFORNIA	
APPROVALS			DATE	
DRAWN			5-24-02	
PAT QUILTER				
CHECKED				
ISSUED				
CAD SEED FILE NO.			PLOT DATE: Mon Nov 03 2003	
DO NOT SCALE DRAWING			SCALE NONE	
			CAD FILE NO. SH3623rA.sch	
			SHEET 1 OF 5	

SCHEMATIC DIAGRAM
SRA3622

SH-003623-00 A

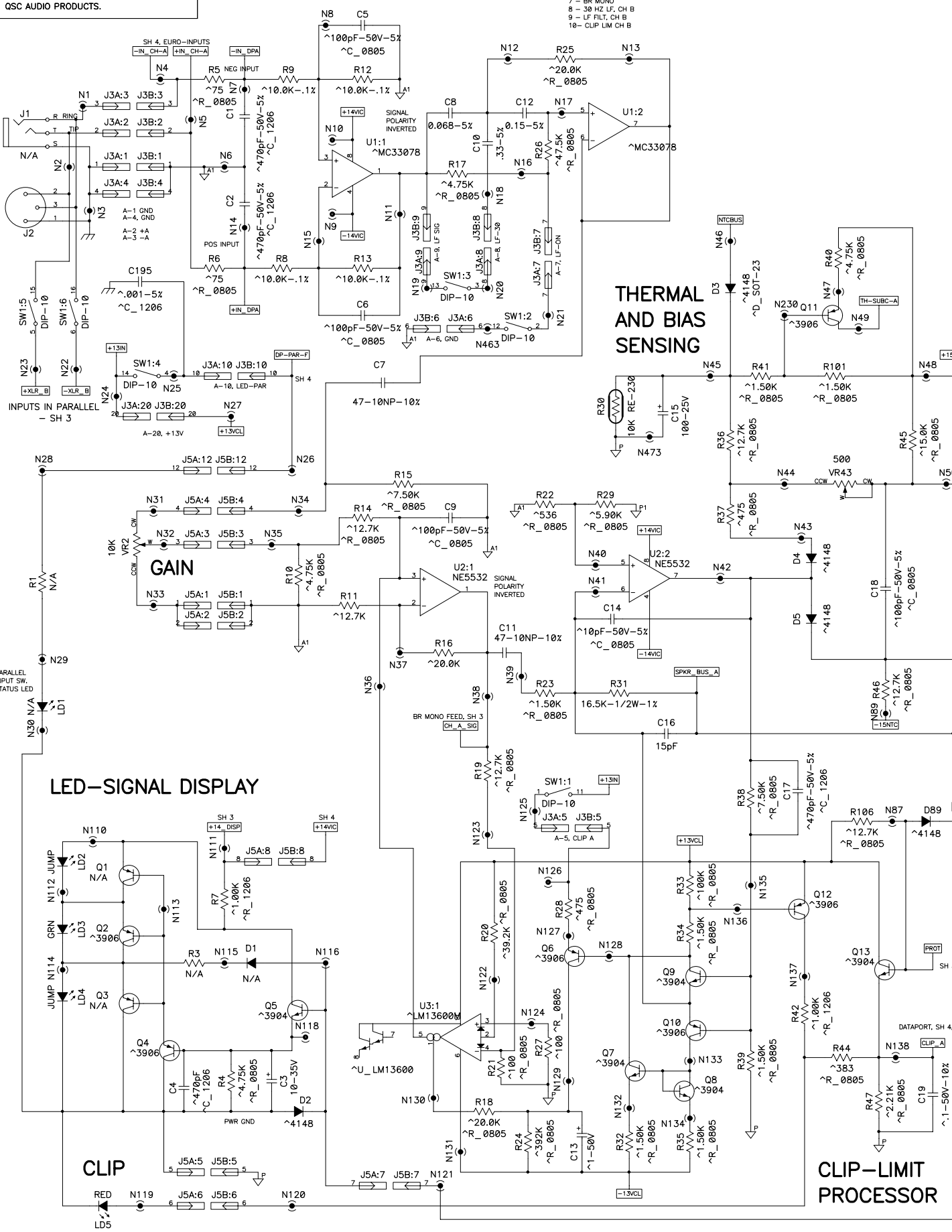
DWG NO. SH-003623-00 REV 1

THIS DOCUMENT CONTAINS PROPRIETARY INFORMATION WHICH IS THE PROPERTY OF QSC AUDIO PRODUCTS, THAT MAY NOT BE DISCLOSED, REPRODUCED OR USED WITHOUT EXPRESS WRITTEN CONSENT FROM QSC AUDIO PRODUCTS.

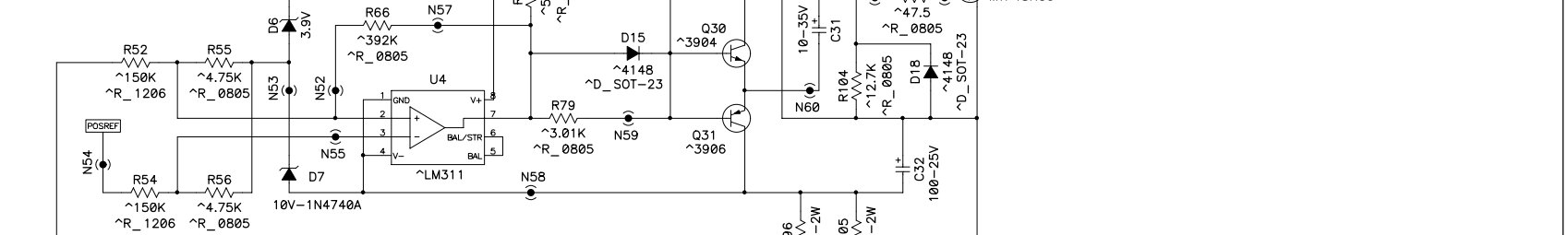
INPUT AND FILTER SECTION, CH A

DIP SWITCH TABLE, 10-POS

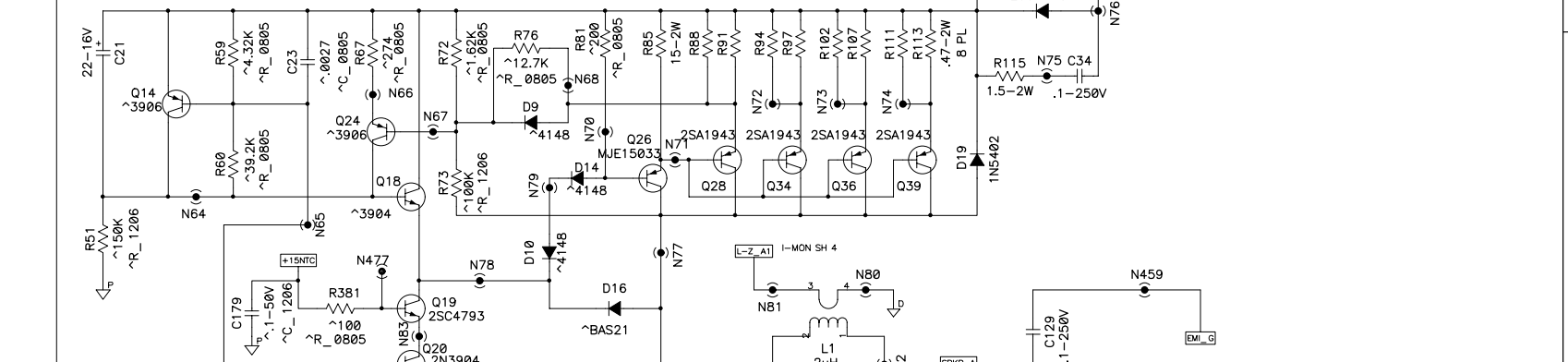
- CLIP LIM, CH-A
- LF FILT, CH-A
- 30 HZ LF, CH-A
- PAR INPUT LED
- PAR INPUTS, +
- PAR INPUTS, -
- BR MONO
- 30 HZ LF, CH B
- LF FILT, CH B
- CLIP LIM CH B



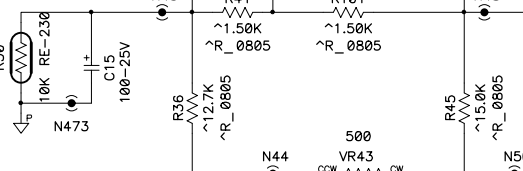
POS STEP DRIVER



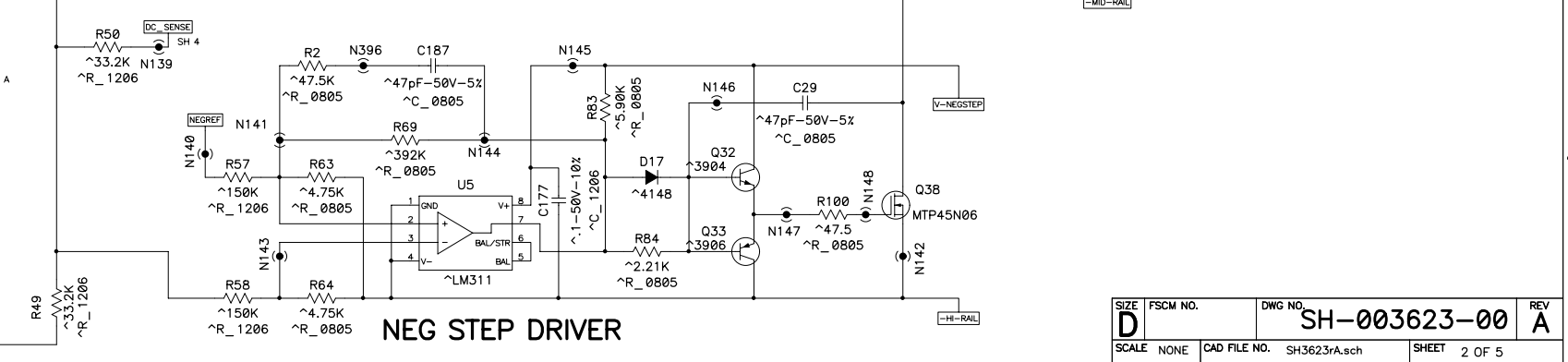
POS OUTPUT SECTION



THERMAL AND BIAS SENSING



NEG OUTPUT SECTION

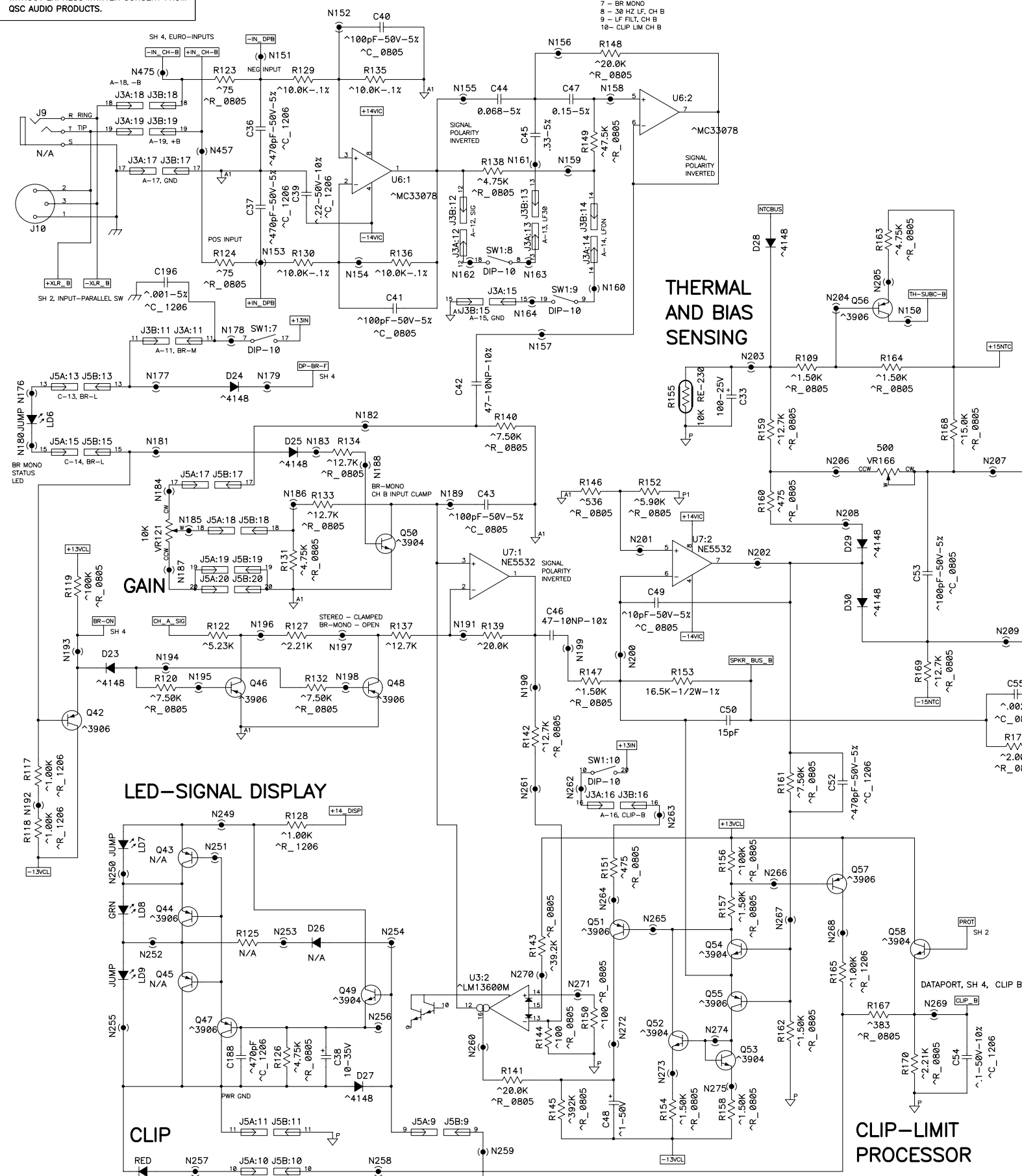


NEG STEP DRIVER



THIS DOCUMENT CONTAINS PROPRIETARY INFORMATION WHICH IS THE PROPERTY OF QSC AUDIO PRODUCTS, THAT MAY NOT BE DISCLOSED, REPRODUCED OR USED WITHOUT EXPRESS WRITTEN CONSENT FROM QSC AUDIO PRODUCTS.

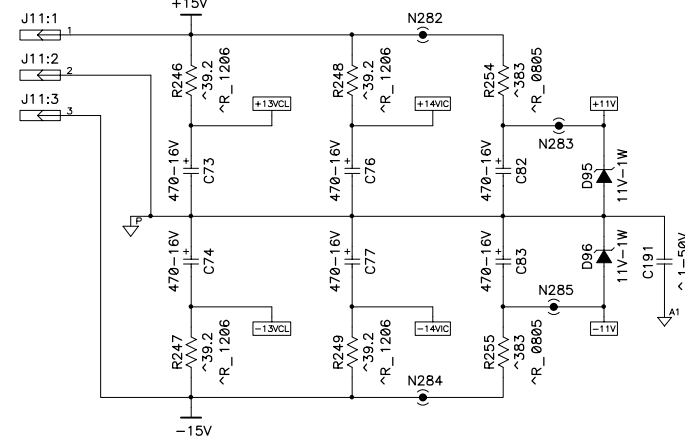
INPUT AND FILTER SECTION, CH B



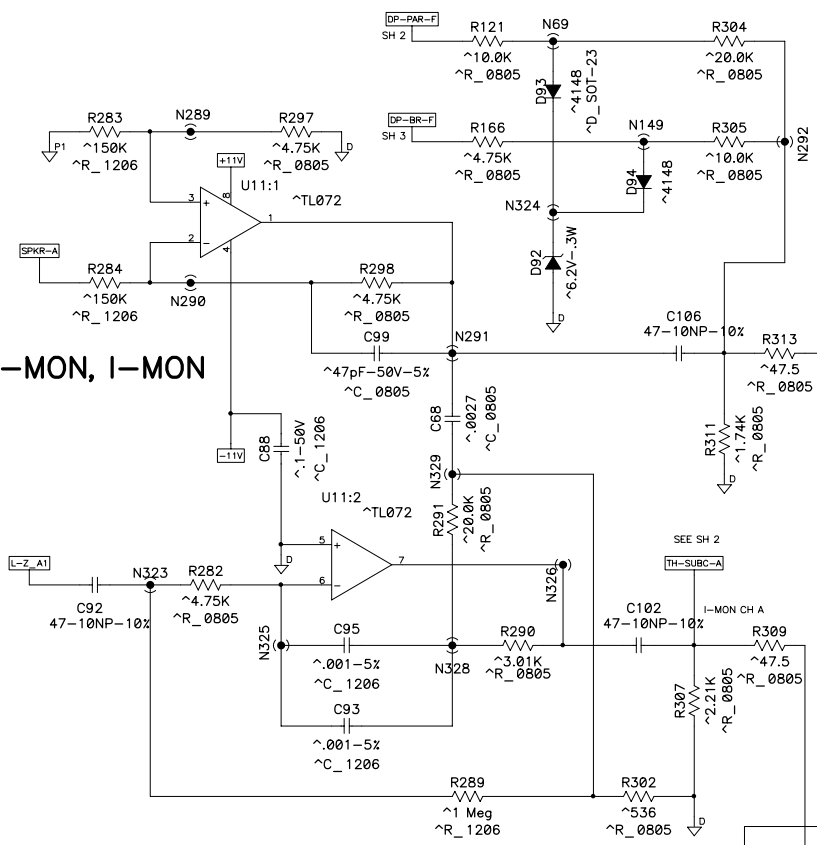
- DIP SWITCH TABLE, 10-POS
- 1 - CLIP LIM, CH-A
 - 2 - LF FILT, CH-A
 - 3 - 30 HZ LF, CH-A
 - 4 - PAR INPUT LED
 - 5 - PAR INPUTS, +
 - 6 - PAR INPUTS, -
 - 7 - BR MONO
 - 8 - 30 HZ LF, CH B
 - 9 - LF FILT, CH B
 - 10 - CLIP LIM CH B

THIS DOCUMENT CONTAINS PROPRIETARY INFORMATION WHICH IS THE PROPERTY OF QSC AUDIO PRODUCTS. THAT MAY NOT BE DISCLOSED, REPRODUCED OR USED WITHOUT EXPRESS WRITTEN CONSENT FROM QSC AUDIO PRODUCTS.

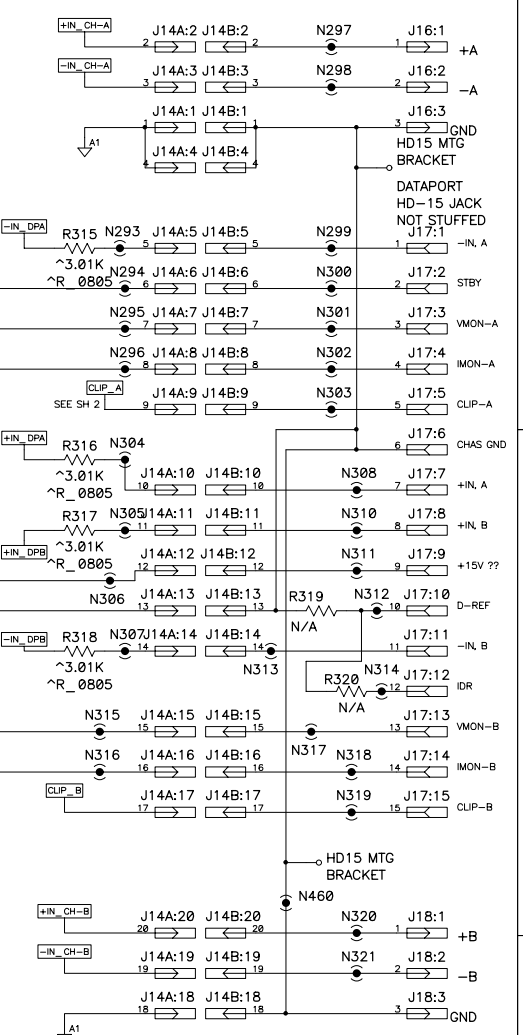
OPAMP POWER SUPPLIES



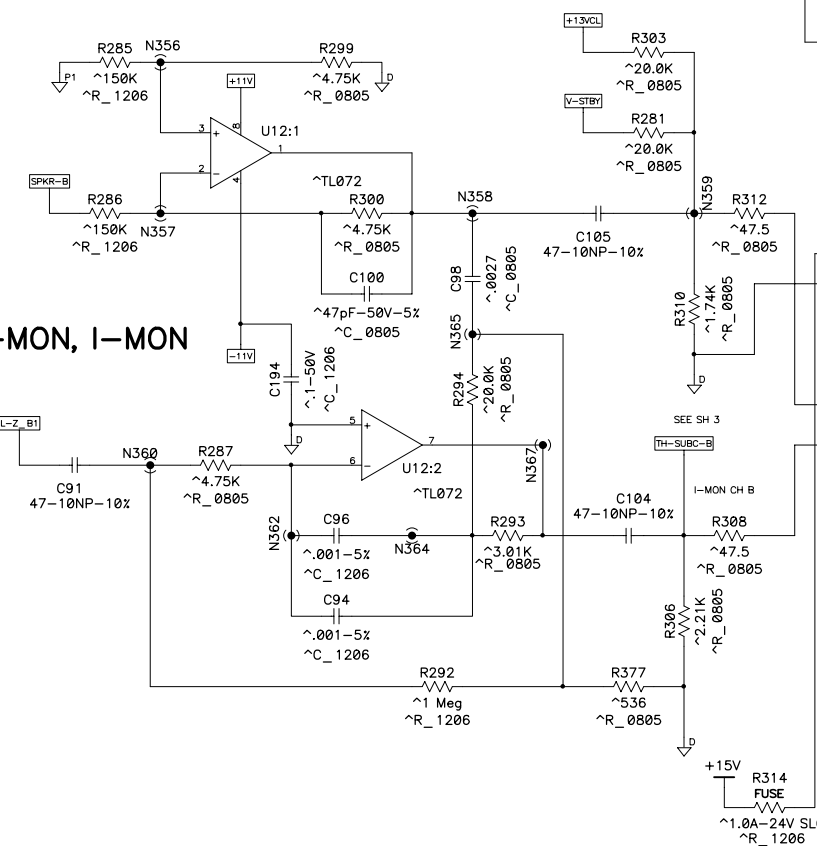
CH A V-MON, I-MON



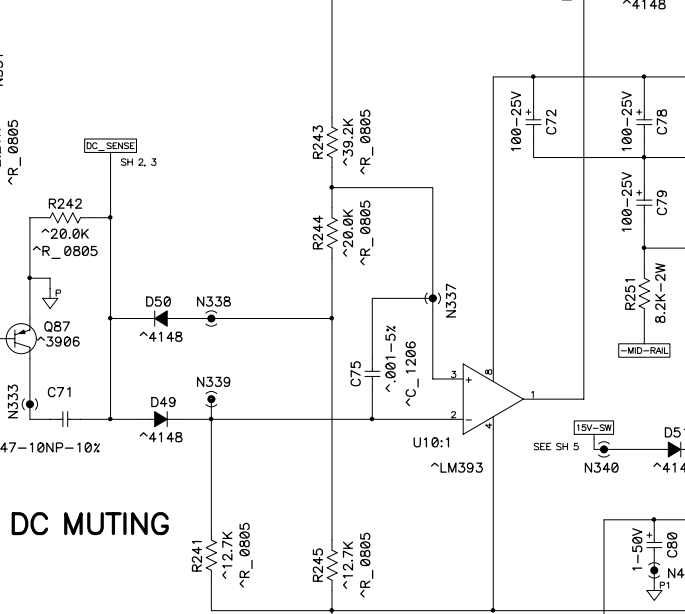
DATAPORT INPUT PCB IS NOT STUFFED



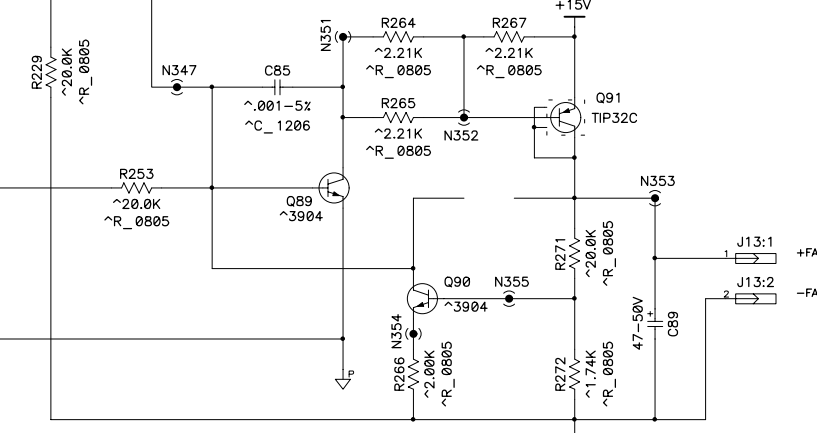
CH B V-MON, I-MON



DC MUTING

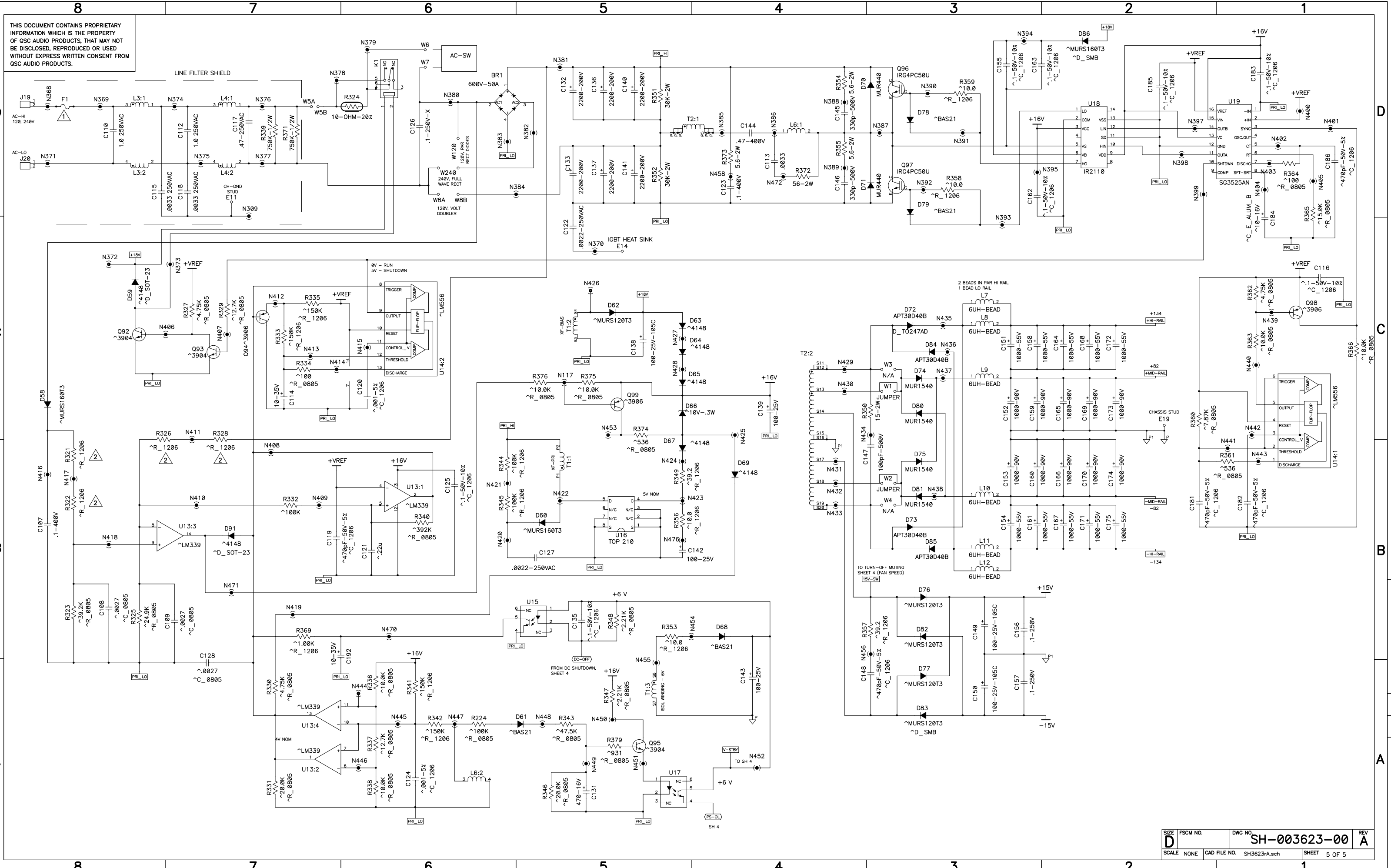


FAN SPEED CONTROL



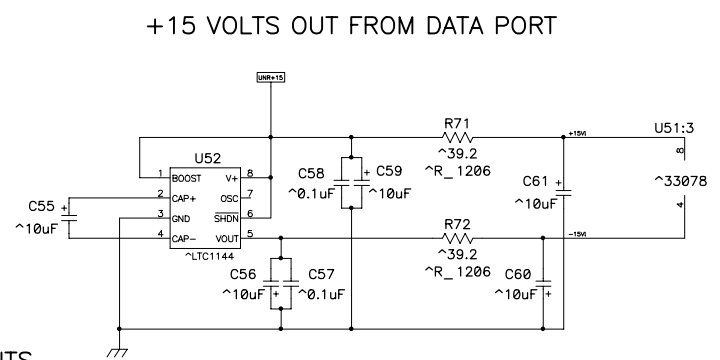
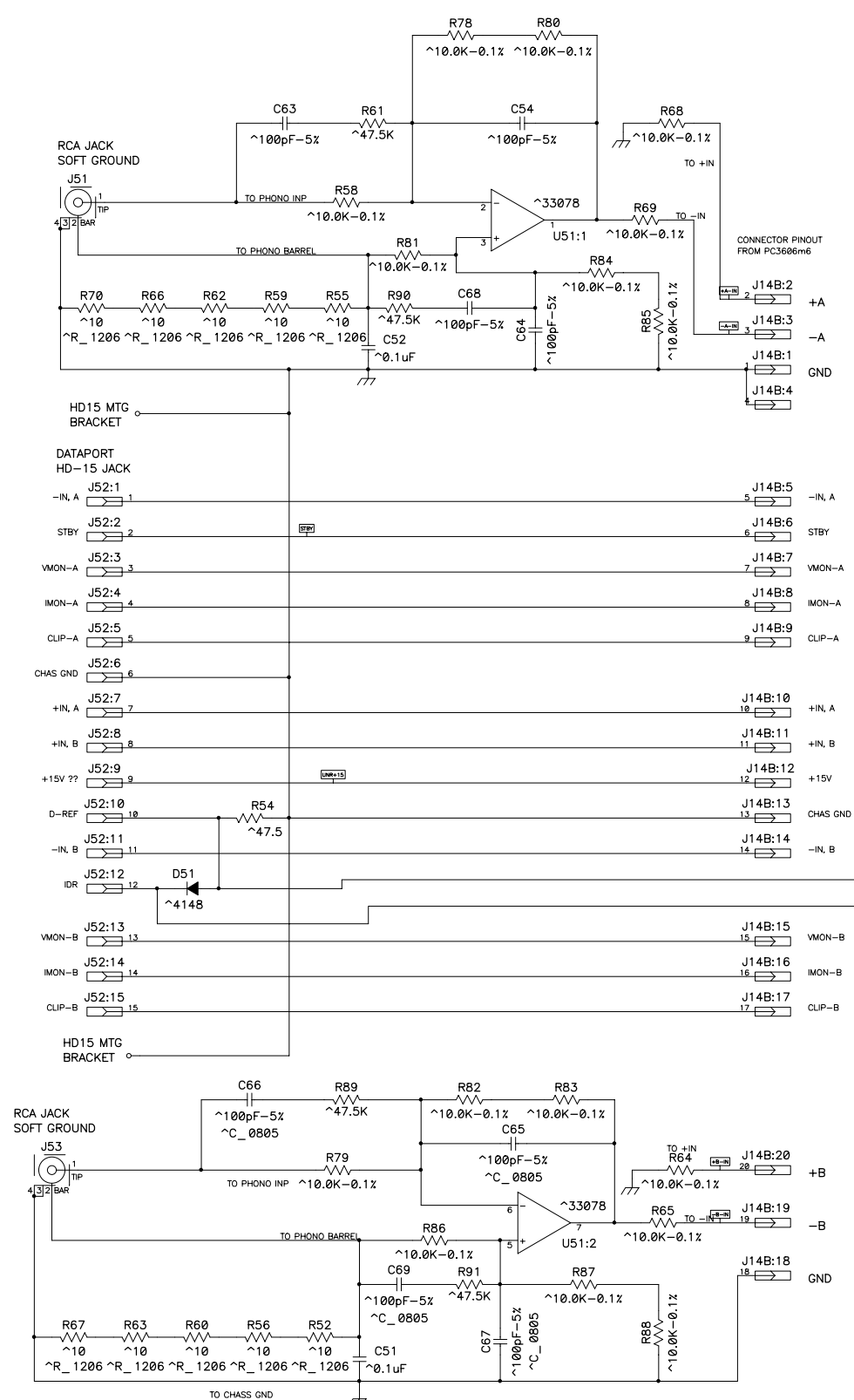
TO USE BLUE LED
 R370 = 2.67K, 1206 - NEW VALUE
 R253 = 47.5K
 R266 = 2.00K
 R272 = 1.74K
 TO REDUCE "ON" BRIGHTNESS
 R252 = 2.67K-1206, SAME NEW VALUE

THIS DOCUMENT CONTAINS PROPRIETARY INFORMATION WHICH IS THE PROPERTY OF QSC AUDIO PRODUCTS, THAT MAY NOT BE DISCLOSED, REPRODUCED OR USED WITHOUT EXPRESS WRITTEN CONSENT FROM QSC AUDIO PRODUCTS.

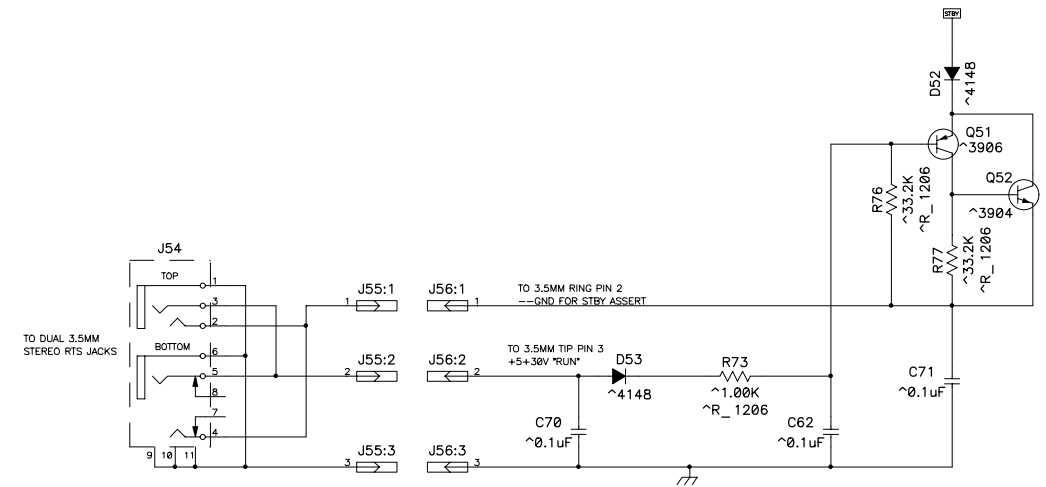
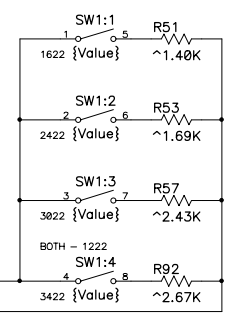


THIS DOCUMENT CONTAINS PROPRIETARY INFORMATION WHICH IS THE PROPERTY OF QSC AUDIO PRODUCTS, THAT MAY NOT BE DISCLOSED, REPRODUCED OR USED WITHOUT EXPRESS WRITTEN CONSENT FROM QSC AUDIO PRODUCTS.

REVISION				
REV	DESCRIPTION	EFF. DATE	CHK	APPROVED / DATE
A	PRODUCTION RELEASE PER ECO 5556 AA	12-06-02		



SWITCHABLE IDR, 5 VALUES, RESERVED FOR 5 POWER POINTS



- ZENER TOLERANCE IS 5%
 - SMT CAPACITOR VOLTAGE IS 50V
 - SMT RESISTOR WATTAGE RATING IS 0.1W
 - RESISTOR WATTAGE RATING IS 1/4W FOR RESISTOR WATTAGE RATINGS GREATER THAN 1W, TOLERANCE IS 5% FOR RESISTOR WATTAGE RATINGS LESS THAN 1/2W, TOLERANCE IS 1%
 - THROUGH-HOLE FILM AND CERAMIC CAPACITOR TOLERANCE IS 10%, VOLTAGE IS 100V
 - ELECTROLYTIC CAPACITOR TOLERANCE IS 20%
 - COMPONENTS WITH VALUE PREFIXED WITH A "*" REPRESENT SMT COMPONENTS.
 - THIS DRAWING USED IN CONJUNCTION WITH ASSEMBLY WP-003624-XX.
- NOTES: UNLESS OTHERWISE SPECIFIED

QTY	ITEM NO.	PART NO.	DESCRIPTION	VENDOR
PARTS LIST				
UNLESS OTHERWISE SPECIFIED DIMENSIONS ARE IN INCHES. DIMENSIONS PER ANSI Y14.5-1982 TOLERANCES ARE:		CONTRACT NO.		
DECIMALS .xx ±	DECIMALS .xxx ±	ANGLES 0	APPROVALS	DATE
DEBURR EDGES .XXX R MAX		DRAWN A. ARANDA 5-24-02		
MATERIAL		CHECKED		
FINISH		ISSUED		
DO NOT SCALE DRAWING		CAD SEED FILE NO.		
PLOT DATE: Mon Nov 03, 2003		SCALE NONE		
SIZE D		FSCM NO.		
DWG NO. SH-003624-00		REV A		
CAD FILE NO. SH3624A.SCH		SHEET 1 OF 1		

QSC AUDIO PRODUCTS, INC.
COSTA MESA, CALIFORNIA

SCHEMATIC DIAGRAM
INPUT, 2 CH SRA SERIES

A REV 1 SH-003624-00 DWG NO.