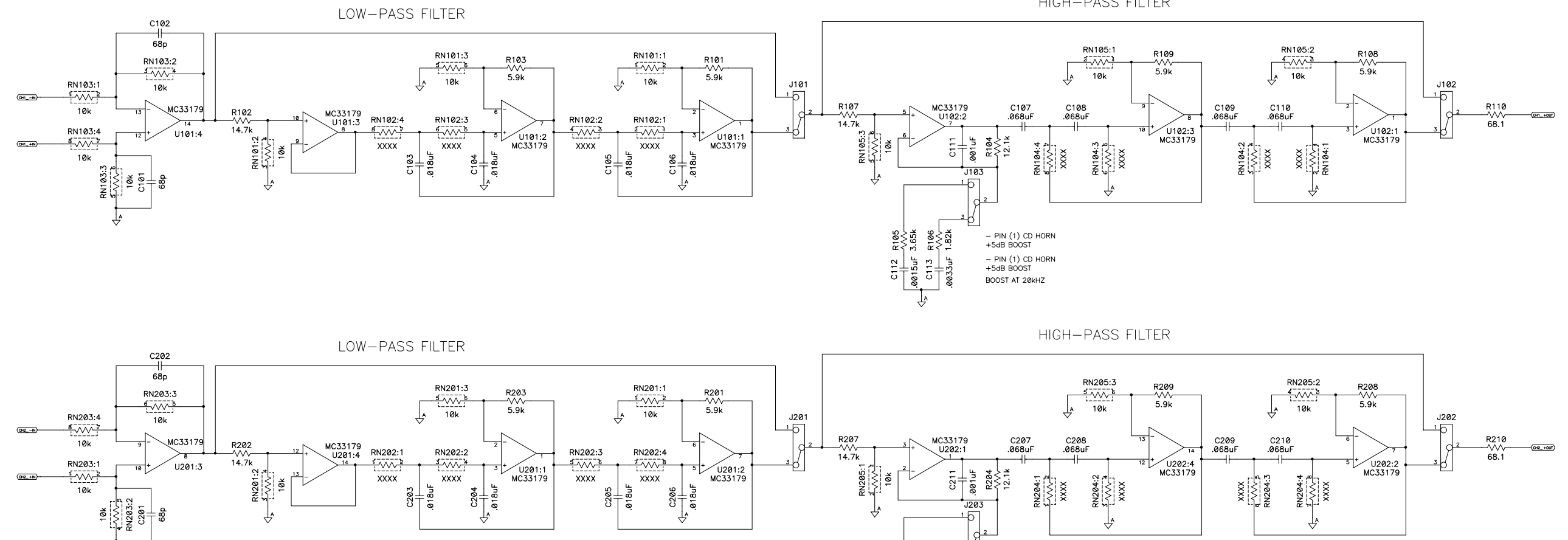
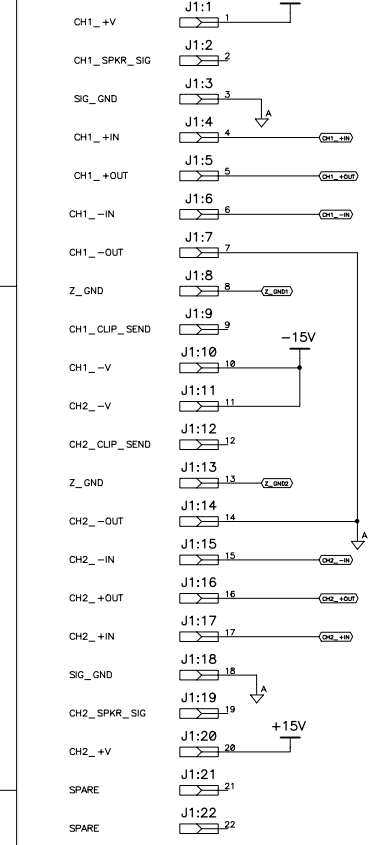


THIS DOCUMENT CONTAINS PROPRIETARY INFORMATION WHICH IS THE PROPERTY OF QSC AUDIO PRODUCTS, THAT MAY NOT BE DISCLOSED, REPRODUCED OR USED WITHOUT EXPRESS WRITTEN CONSENT FROM QSC AUDIO PRODUCTS.



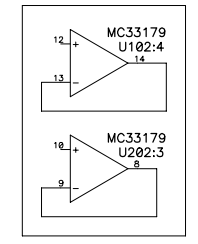
| Jumper Settings:      | Headers |      | Pin 1&2 | Pin 2&3 | Pin None |
|-----------------------|---------|------|---------|---------|----------|
|                       | CH1     | CH2  |         |         |          |
| Bypass low-pass       | J101    | J201 | X       | .       | .        |
| Enable low-pass       | J101    | J201 | .       | X       | .        |
| Bypass high-pass      | J102    | J202 | X       | .       | .        |
| Enable high-pass      | J102    | J202 | .       | X       | .        |
| Disable CD horn boost | J103    | J203 | .       | .       | X        |
| CD horn, +6dB @ 20KHz | J103    | J203 | X       | .       | .        |
| CD horn, +10dB @20kHz | J103    | J103 | .       | X       | .        |

| FREQ. | R    |
|-------|------|
| 80    | 120k |
| 100   | 82k  |
| 120   | 68k  |
| 160   | 56k  |
| 200   | 47k  |
| 250   | 33k  |
| 500   | 18k  |
| 800   | 12k  |
| 1k    | 8.2k |
| 1.2k  | 6.8k |
| 1.6k  | 5.6k |
| 2k    | 4.7k |
| 2.5k  | 3.3k |
| 5k    | 1.8k |
| 8k    | 1.2k |
| 16k   | 360  |
| 20k   | 470  |

\* R REPRESENTS VALUES FOR RN102 AND R202 SIP PACKAGES

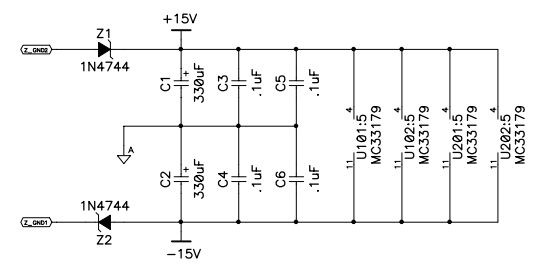
| FREQ. | R    |
|-------|------|
| 20    | 120k |
| 30    | 82k  |
| 40    | 56k  |
| 50    | 47k  |
| 60    | 27k  |
| 80    | 22k  |
| 100   | 20k  |
| 120   | 15k  |
| 150   | 12k  |
| 200   | 8.2k |
| 300   | 5.6k |
| 500   | 4.7k |
| 800   | 2.7k |
| 1000  | 2.2k |
| 1200  | 2k   |
| 1500  | 1.5k |
| 2000  | 1.2k |
| 4000  | 560  |
| 5000  | 470  |
| 8000  | 270  |

\* R REPRESENTS VALUES FOR RN104 AND R204 SIP PACKAGES



- FACTORY SET CONFIGURATION:  
INSTALLED RESISTOR NETWORKS ARE RN102:68k (1.2kHz), RN104:120k (20Hz), RN202:4.7k (20kHz) AND RN204:20k (1.2kHz).
- PARTS IN COMMON TO BOTH CHANNELS NUMBERED 1-99
- CH2 COMPONENTS NUMBERED 201-299
- CHANNEL 1 COMPONENTS NUMBERED 101-199
- ALL RESISTOR NETWORKS +/- 2%
- ALL RESISTORS VALUES ARE IN OHMS, +/- 1%, 1/8 WATT.
- THIS DRAWING USED IN CONJUNCTION WITH THE PCB ASSEMBLY PC-000UF3-00

NOTES: UNLESS OTHERWISE SPECIFIED



| QTY   | ITEM NO. | PART NO. | DESCRIPTION  | VENDOR                |
|---|----------|----------|--------------|-----------------------|
| <b>PARTS LIST</b>   |          |          |              |                       |
| UNLESS OTHERWISE SPECIFIED DIMENSIONS ARE IN INCHES. DIMENSIONS PER ANSI Y14.5-1982 TOLERANCES ARE: |          |          | CONTRACT NO. |                       |
| DECIMALS  | DECIMALS | ANGLES   |              |                       |
| .xx ±   | .xxx ±   | 0        |              |                       |
| DEBURR EDGES .XXX R MAX MATERIAL  |          |          | APPROVALS    | DATE                  |
| FINISH  |          |          | QSC Audio    | 04/10/99              |
| NEXT ASSY USED ON   |          |          | CHECKED      |                       |
| APPLICATION   |          |          | ISSUED       |                       |
| DO NOT SCALE DRAWING  |          |          | CAD FILE NO. | Rev Mar 18, 2003      |
|   |          |          | SIZE         | FSCM NO.              |
|   |          |          | D            | DWG NO.               |
|   |          |          | SCALE        | CAD FILE NO. UF-3.SCH |
|   |          |          | SHEET        | 1 OF 1                |