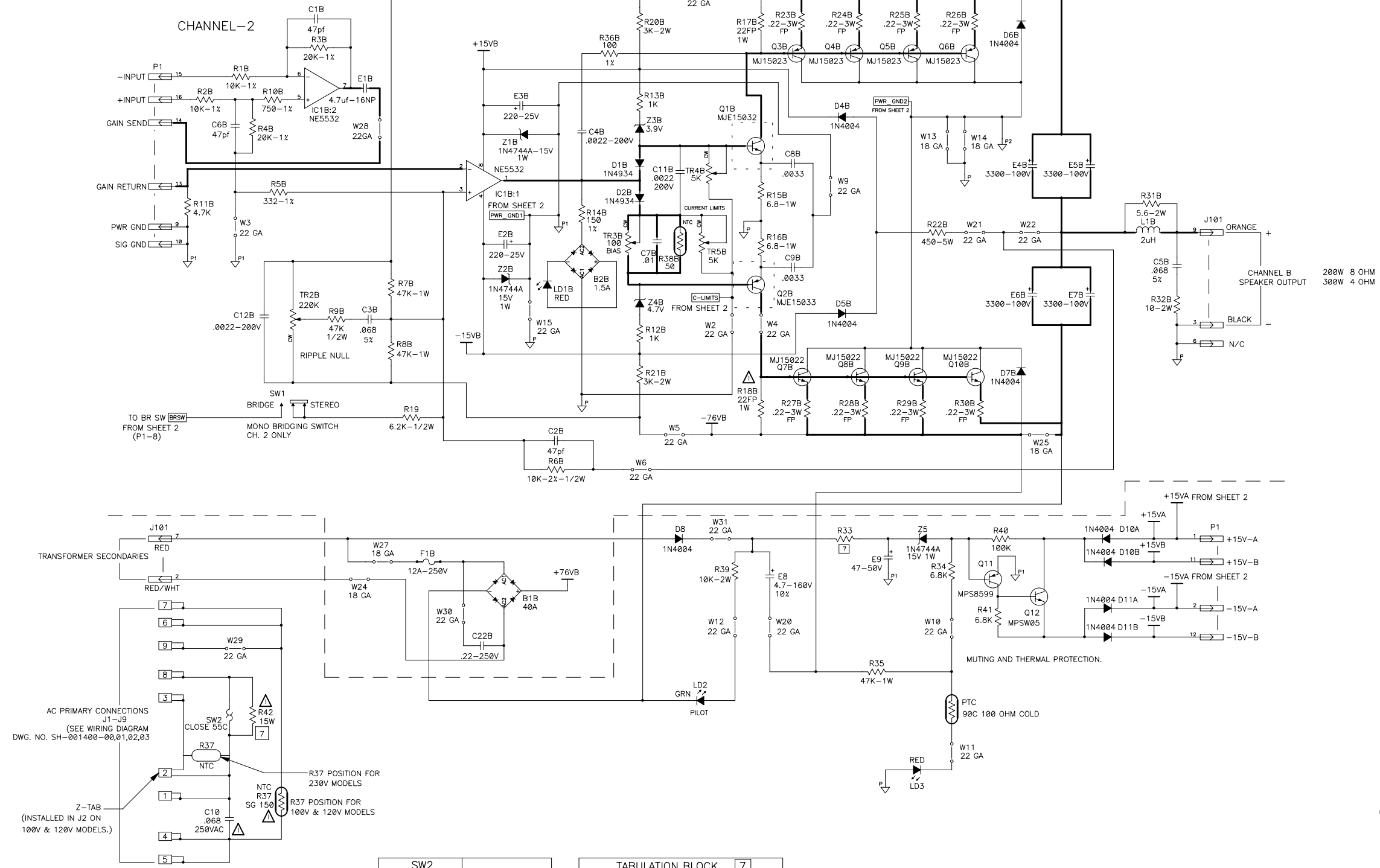


THIS DOCUMENT CONTAINS PROPRIETARY INFORMATION WHICH IS THE PROPERTY OF QSC AUDIO PRODUCTS. THAT MAY NOT BE DISCLOSED, REPRODUCED OR USED WITHOUT EXPRESS WRITTEN CONSENT FROM QSC AUDIO PRODUCTS.

REVISIONS

ZONE	REV	DESCRIPTION	DATE	APPROVED

SCHEMATIC, MAIN BOARD, USA 900 AMP



- 7 FOR COMPONENT VALUE, REFER TO TABULATION BLOCK
- ALL RESISTORS MARKED *FP* ARE FLAMEPROOF CONSTRUCTION AND MINIMUM OF 1/2W.
 - REPLACE PARTS MARKED Δ AND FP WITH SAME TYPE ONLY FOR CONTINUED SAFETY.
 - HEAVY LINE SHOWS MAIN SIGNAL PATH.
 - USE QSC REPLACEMENT TRANSISTORS ONLY.
 - ALL CAPACITORS IN μ F, 100V, 10% TOLERANCE NON-ELECTROLYTIC AND 20% ELECTROLYTIC.
 - ALL RESISTOR VALUES ARE IN OHMS 5%, 1/4W,

NOTES: UNLESS OTHERWISE SPECIFIED

SW2	TR5
TR5	TR1
W31	
R43	
Q12	
LD3	
U1	
F1	
D16	D3,9
C21	
B2	
LAST USED	NOT USED
REFERENCE DESIGNATION	
BOTH A & B CHANNEL	

TABULATION BLOCK		
MODEL (V)	R33	R42
1400(230 SEMKO)	150K	330
1400(230 EXP)	150K	330
1400(120 DOM)	180K	250
1400(100 JAP)	180K	250

9 PIN PCB CONNECTOR (P1)
 QUICK DISCONNECT TERMINALS (J1-J9)
 JACK PLANE 16 PIN HEADER CONNECTION (P2)

QTY	ITEM NO.	PART NO.	DESCRIPTION	VENDOR
PARTS LIST				
UNLESS OTHERWISE SPECIFIED DIMENSIONS ARE IN INCHES. DIMENSIONS PER ANSI Y14.5-1982 TOLERANCES ARE:			CONTRACT NO.	
DECIMALS	DECIMALS	ANGLES	APPROVALS	
.xx ±	.xxx ±	0	DATE	
DEBURR EDGES .XXX R MAX			DRAWN	
MATERIAL			CHECKED	
FINISH			ISSUED	
NEXT ASSY			S.G.M	
USED ON			2/17/93	
APPLICATION			CAD SEED FILE NO.	
DO NOT SCALE DRAWING			Tue Aug 27, 2002	

QSC AUDIO PRODUCTS, INC.
 COSTA MESA, CALIFORNIA

SCHEMATIC DIAGRAM
MAIN BOARD, USA900 AMP

SCALE: NONE DWG NO. SH-140301-JX REV V1 SHEET 1 OF 2

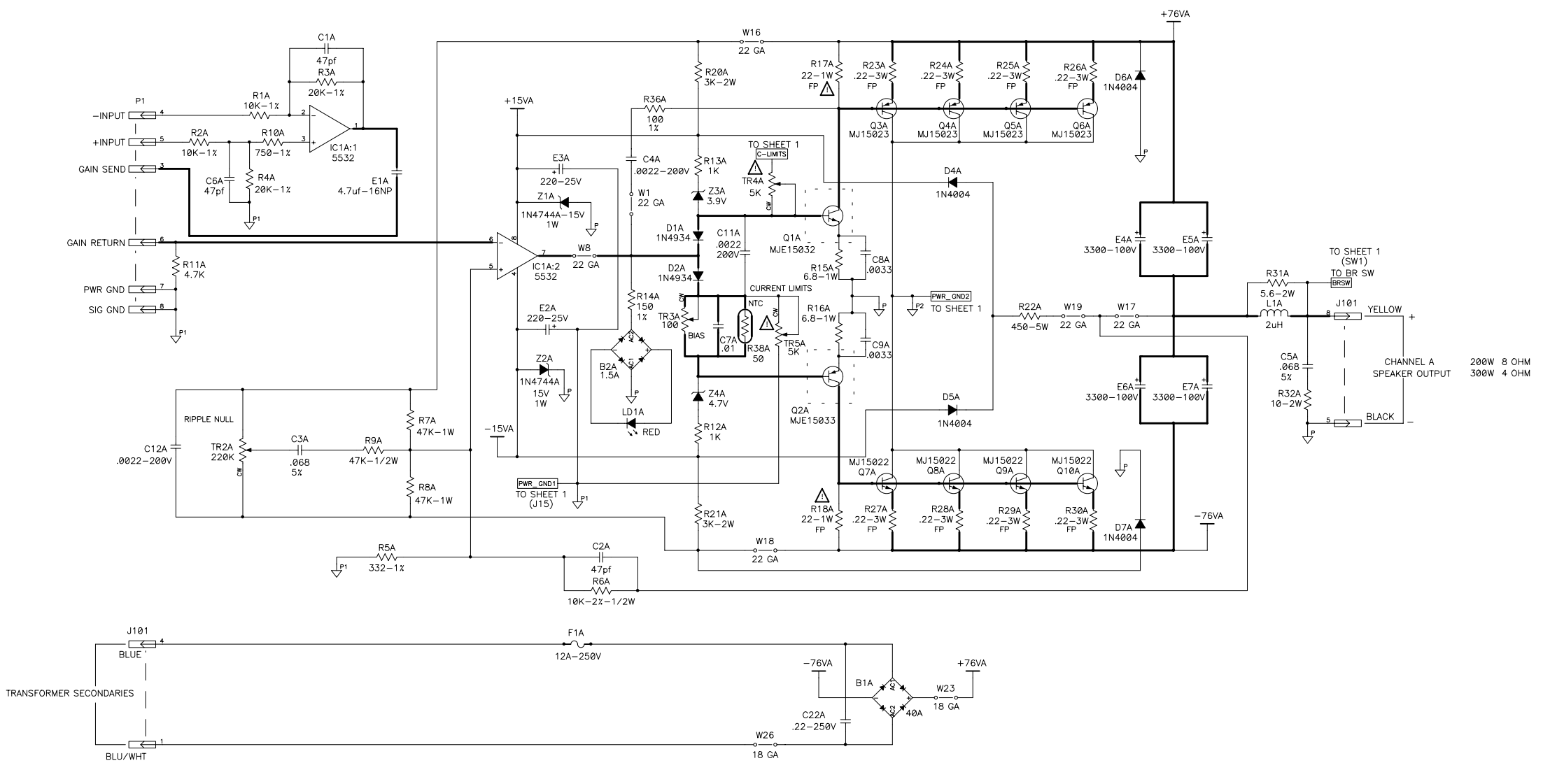
OBSELETE

V 1 SH-140301-JX

THIS DOCUMENT CONTAINS PROPRIETARY INFORMATION WHICH IS THE PROPERTY OF QSC AUDIO PRODUCTS. THAT MAY NOT BE DISCLOSED, REPRODUCED OR USED WITHOUT EXPRESS WRITTEN CONSENT FROM QSC AUDIO PRODUCTS.

SCHEMATIC, MAIN BOARD, USA 900 AMP

CHANNEL - 1



NOTES: UNLESS OTHERWISE SPECIFIED

SIZE D	FSCM NO.	DWG NO. SH-140301-JX	REV V
SCALE NONE	CAD FILE NO. SH1400T1.SCH	SHEET 2 OF 2	

V 2 SH-140301-JX

