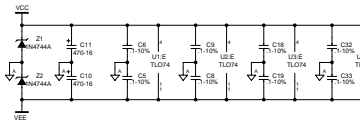
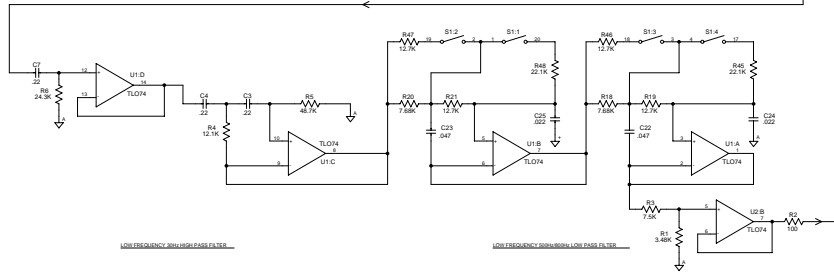
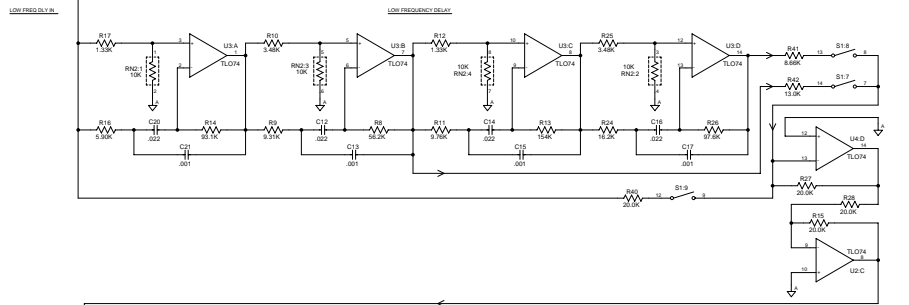
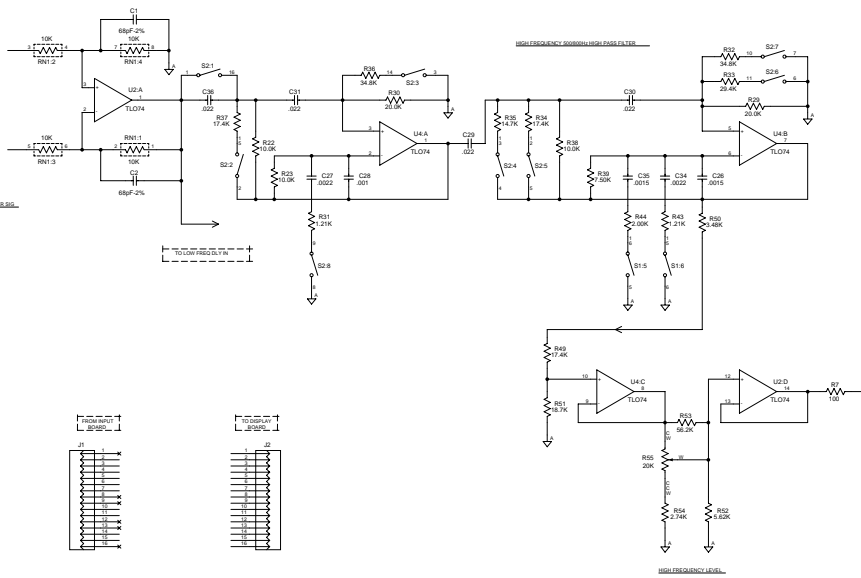


THIS DOCUMENT CONTAINS PROPRIETARY INFORMATION WHICH IS THE PROPERTY OF QSC AUDIO PRODUCTS. THAT MAY NOT BE DISCLOSED, REPRODUCED OR USED WITHOUT EXPRESS WRITTEN CONSENT FROM QSC AUDIO PRODUCTS.

REVISIONS				
ZONE	REV	DESCRIPTION	DATE	APPROVED



REFERENCE DESIGNATION	
HIGHEST NO. USED	
DESCRIPTION	REF. DES.
CAPACITOR	C36
CONNECTOR	P2
RESISTOR	R54
RES NETWORK	RN2
SWITCH	S2
IC	U4
POTENTIOMETER	VR1
ZENER DIODE	Z2

2. ALL RESISTORS IN OHMS, 1/8 WATT, 1%.
 1. ALL CAPACITORS IN uF, 50V.
 NOTES: UNLESS OTHERWISE SPECIFIED

QTY	ITEM NO.	PART NO.	DESCRIPTION	VENDOR
PARTS LIST				
UNLESS OTHERWISE SPECIFIED, DIMENSIONS ARE IN INCHES. DIMENSIONS PER ANSI Y14.5-1982. TOLERANCES ARE:		CONTRACT NO.		
DECIMALS	DECIMALS	ANGLES	APPROVALS	DATE
XXX .	XXX .	°	ROBERT BECKER	7/1/84
DRAWN		CHECKED	MATERIAL	
ROBERT BECKER				
ISSUED		CAD SEED FILE NO.		
APPLICATION		DO NOT SCALE DRAWING		

QSC AUDIO PRODUCTS, INC.
 COSTA MESA, CALIFORNIA

**SCHEMATIC, XC-1
 CINEMA CROSSOVER**

SIZE: D	FORM NO.:	DWG NO.:	REV:
SCALE: NONE	CAD FILE NO.:	SH-000014-00	2
SHEET		1 OF 1	