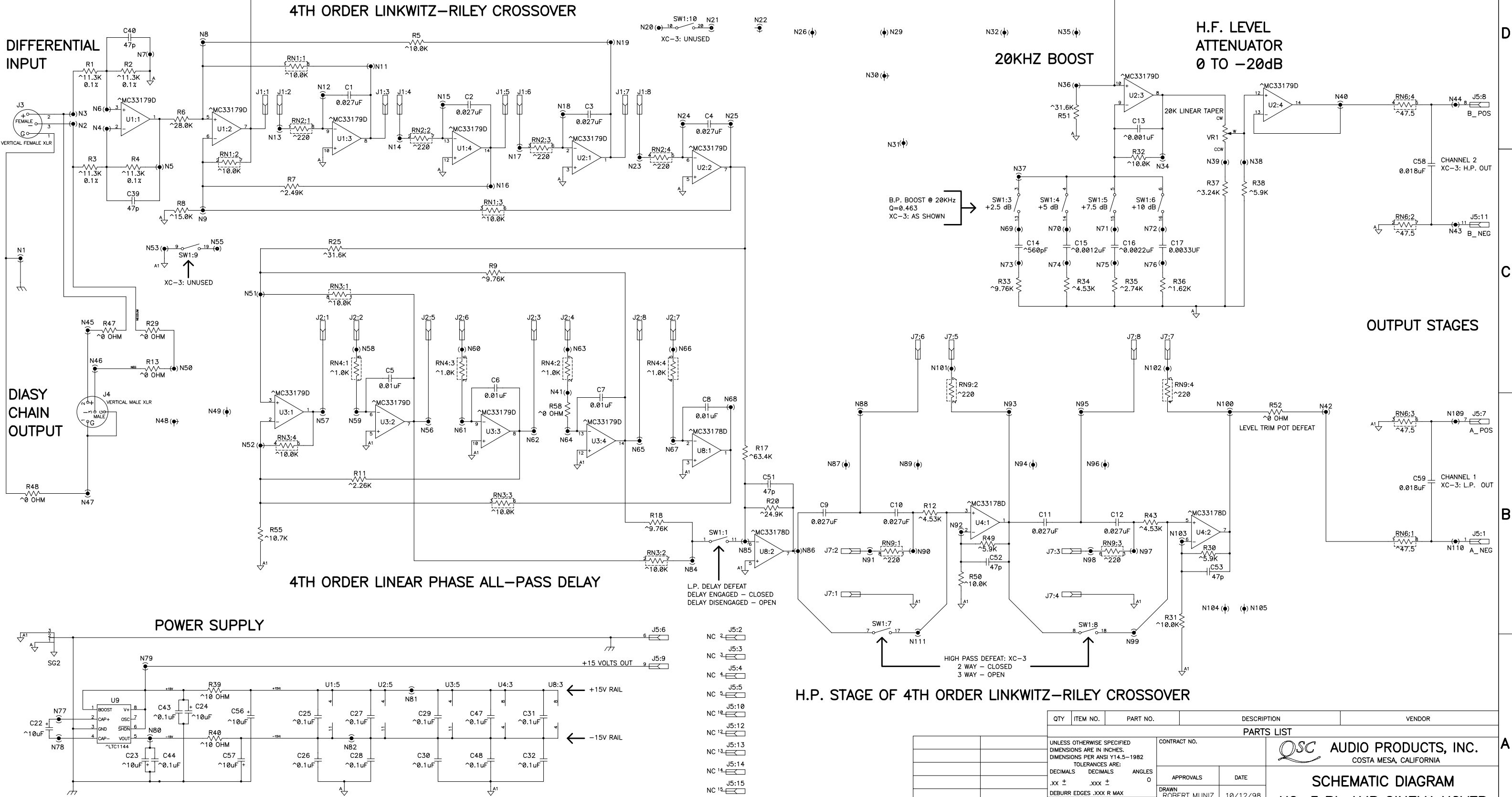


THIS DOCUMENT CONTAINS PROPRIETARY INFORMATION WHICH IS THE PROPERTY OF QSC AUDIO PRODUCTS, THAT MAY NOT BE DISCLOSED, REPRODUCED OR USED WITHOUT EXPRESS WRITTEN CONSENT FROM QSC AUDIO PRODUCTS.

REVISION				
REV	DESCRIPTION	EFF. DATE	CHK	APPROVED / DATE
A				



2. THIS DRAWING USED IN CONJUNCTION WITH ASSEMBLY WP-000094-00.
 1. ALL RESISTORS ARE 1%, 100V, 0805 AND ALL CAPACITORS ARE 5%, 50V.
 NOTES: UNLESS OTHERWISE SPECIFIED:

QTY	ITEM NO.	PART NO.	DESCRIPTION	VENDOR
PARTS LIST				
UNLESS OTHERWISE SPECIFIED DIMENSIONS ARE IN INCHES. DIMENSIONS PER ANSI Y14.5-1982 TOLERANCES ARE:			QSC AUDIO PRODUCTS, INC. COSTA MESA, CALIFORNIA	
DECIMALS	DECIMALS	ANGLES		
.XX ±	.XXX ±	0	SCHEMATIC DIAGRAM XC-3 BI-AMP CINEMA XOVER	
MATERIAL				
APPROVALS			DATE	
DRAWN			10/12/98	
CHECKED			1-7-99	
ISSUED			SCALE	
CAD SEED FILE NO.			DWG NO.	
APPLICATION			SH-000094-00	
DO NOT SCALE DRAWING			SHEET 1 OF 1	

SH-000094-00