

THIS DOCUMENT CONTAINS PROPRIETARY INFORMATION WHICH IS THE PROPERTY OF QSC AUDIO PRODUCTS, THAT MAY NOT BE DISCLOSED, REPRODUCED OR USED WITHOUT EXPRESS WRITTEN CONSENT FROM QSC AUDIO PRODUCTS.

REVISION				
REV	DESCRIPTION	EFF. DATE	CHK	APPROVED / DATE
1	PROTOTYPE RELEASE SA	9-23-00		
2	CLEAN UP NOTES, ADDED TOLERANCE TO COG PARTS AA	2-21-01		

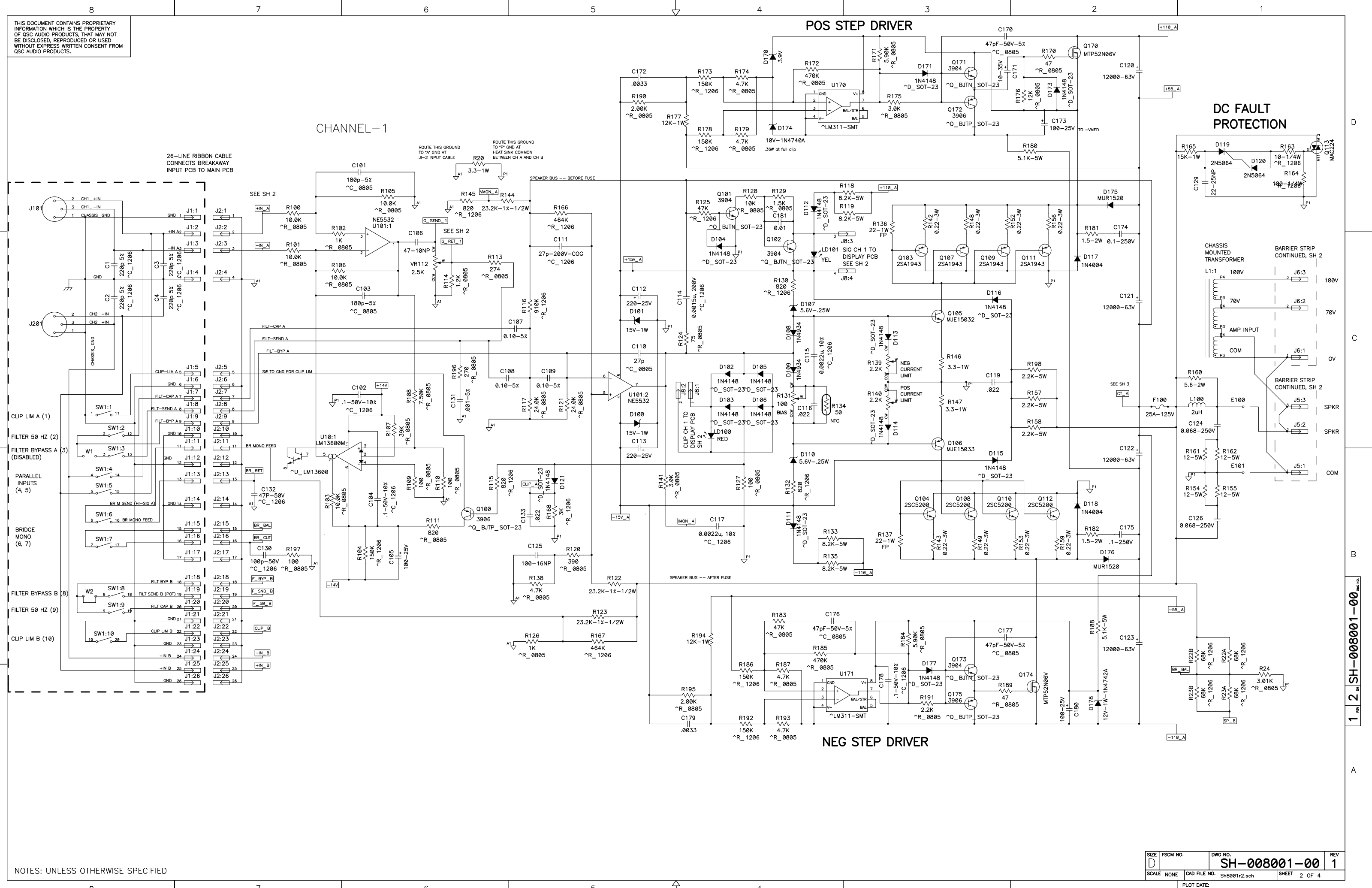
- 8. ZENER TOLERANCE IS 5%
- 7. SMT CAPACITOR VOLTAGE IS 50V
- 6. SMT RESISTOR WATTAGE RATING IS 0.1W
- 5. RESISTOR WATTAGE RATING IS 1/4W
FOR RESISTOR WATTAGE RATINGS GREATER THAN 1W, TOLERANCE IS 5%
FOR RESISTOR WATTAGE RATINGS LESS THAN 1/2W, TOLERANCE IS 1%
- 4. THROUGH-HOLE FILM AND CERAMIC CAPACITOR TOLERANCE IS 10%, VOLTAGE IS 100V
- 3. ELECTROLYTIC CAPACITOR TOLERANCE IS 20%
- 5. J104, J204 ARE CONNECTED PIN TO PIN BY 13-LINE RIBBON CABLE.
- 4. PART NUMBERING SCHEME
PARTS IN COMMON TO BOTH CH: 1-99. CH 1 PARTS 100-199. CH 2 PARTS 200-299
- 3. COMPONENTS MARKED WITH Δ ARE SAFETY CRITICAL PARTS.
- 2. COMPONENTS WITH VALUE PREFIXED WITH A "*" REPRESENT SMT COMPONENTS.
- 1. THIS DRAWING USED IN CONJUNCTION WITH ASSEMBLY WP-007501-00

NOTES: UNLESS OTHERWISE SPECIFIED

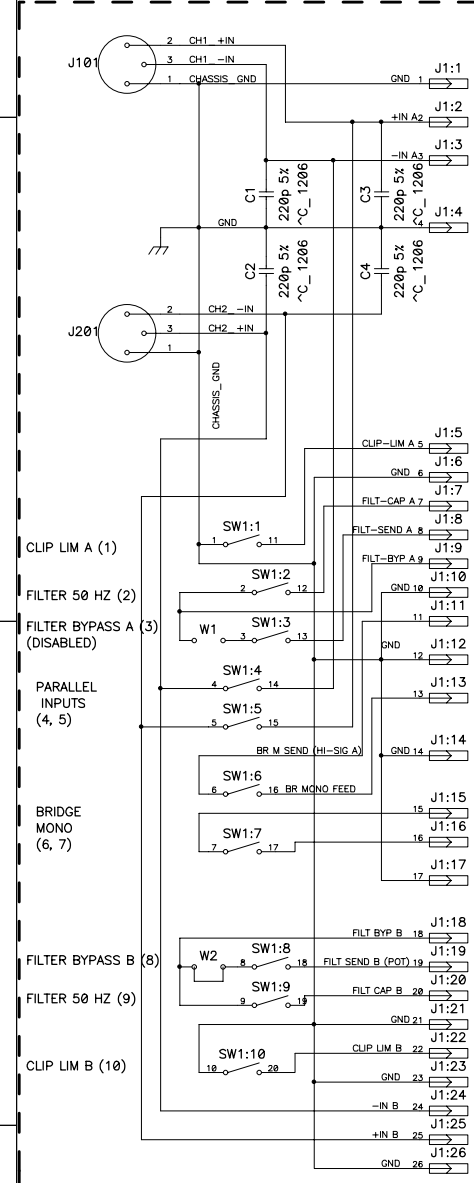
QTY	ITEM NO.	PART NO.	DESCRIPTION	VENDOR
PARTS LIST				
UNLESS OTHERWISE SPECIFIED DIMENSIONS ARE IN INCHES. DIMENSIONS PER ANSI Y14.5-1982 TOLERANCES ARE: DECIMALS DECIMALS ANGLES .xx ± .xxx ± °			CONTRACT NO.	
DEBURR EDGES .XXX R MAX MATERIAL			APPROVALS DATE	
FINISH			DRAWN PAT QUILTER 2-25-00	
NEXT ASSY USED ON			CHECKED	
APPLICATION			ISSUED	
DO NOT SCALE DRAWING			SIZE FSCM NO. DWG NO. REV	
			D SH-008001-00 2	
			SCALE NONE CAD FILE NO. Sh8001r2.sch SHEET 1 OF 4	
			PLOT DATE: 1	
			Mon Mar 19, 2001	

1 SH-008001-00

THIS DOCUMENT CONTAINS PROPRIETARY INFORMATION WHICH IS THE PROPERTY OF QSC AUDIO PRODUCTS, THAT MAY NOT BE DISCLOSED, REPRODUCED OR USED WITHOUT EXPRESS WRITTEN CONSENT FROM QSC AUDIO PRODUCTS.



26-LINE RIBBON CABLE CONNECTS BREAKAWAY INPUT PCB TO MAIN PCB



CHANNEL-1

POS STEP DRIVER

DC FAULT PROTECTION

NEG STEP DRIVER

NOTES: UNLESS OTHERWISE SPECIFIED

SIZE D	FSCM NO.	DWG NO. SH-008001-00	REV 1
SCALE NONE	CAD FILE NO. Sh8001r2.sch	SHEET 2 OF 4	

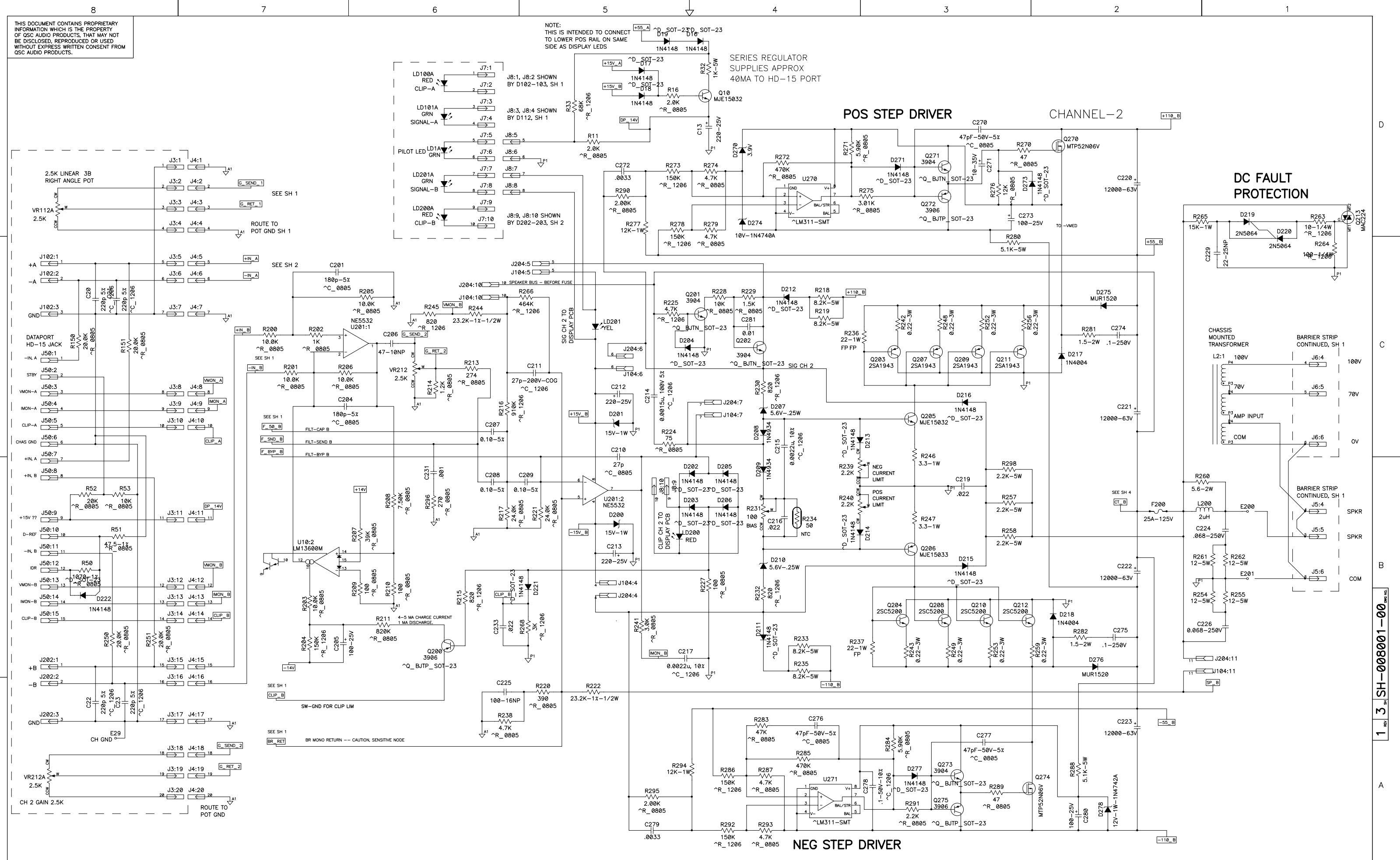
PLOT DATE: Mon Mar 19, 2001

1 of 2 SH-008001-00

THIS DOCUMENT CONTAINS PROPRIETARY INFORMATION WHICH IS THE PROPERTY OF QSC AUDIO PRODUCTS. THAT MAY NOT BE DISCLOSED, REPRODUCED OR USED WITHOUT EXPRESS WRITTEN CONSENT FROM QSC AUDIO PRODUCTS.

NOTE: THIS IS INTENDED TO CONNECT TO LOWER POS RAIL ON SAME SIDE AS DISPLAY LEADS

SERIES REGULATOR SUPPLIES APPROX 40MA TO HD-15 PORT



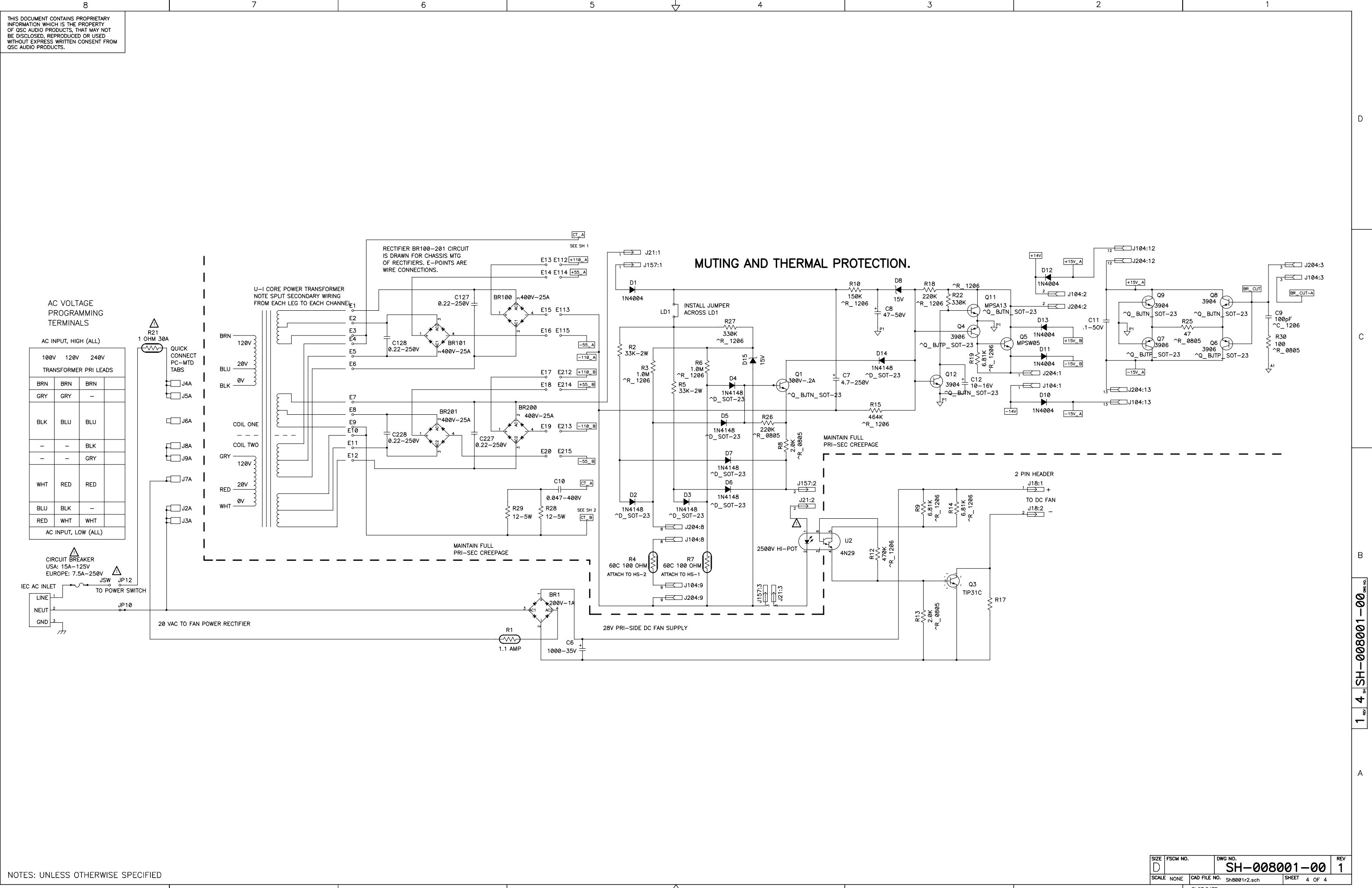
NOTES: UNLESS OTHERWISE SPECIFIED

SIZE	FSCM NO.	DWG NO.	REV
D		SH-008001-00	1
SCALE	NONE	CAD FILE NO.	SHEET
		Sh8001r2.sch	3 OF 4

PLOT DATE: Mon Mar 19, 2001

1 3 SH-008001-00

THIS DOCUMENT CONTAINS PROPRIETARY INFORMATION WHICH IS THE PROPERTY OF QSC AUDIO PRODUCTS, THAT MAY NOT BE DISCLOSED, REPRODUCED OR USED WITHOUT EXPRESS WRITTEN CONSENT FROM QSC AUDIO PRODUCTS.



NOTES: UNLESS OTHERWISE SPECIFIED

SIZE D	FSCM NO.	DWG NO. SH-008001-00	REV 1
SCALE NONE	CAD FILE NO. Sh8001r2.sch	SHEET 4 OF 4	
PLOT DATE: Mon Mar 19, 2001		1	

1 REV 4 SH-008001-00

THIS DOCUMENT CONTAINS PROPRIETARY INFORMATION WHICH IS THE PROPERTY OF QSC AUDIO PRODUCTS, THAT MAY NOT BE DISCLOSED, REPRODUCED OR USED WITHOUT EXPRESS WRITTEN CONSENT FROM QSC AUDIO PRODUCTS.

REVISION				
REV	DESCRIPTION	EFF. DATE	CHK	APPROVED / DATE
A	PRODUCTION RELEASE PER ECO 5886 AA	9-12-03		DD
B	REVISED PER ECO 5958 AA	12-15-03		

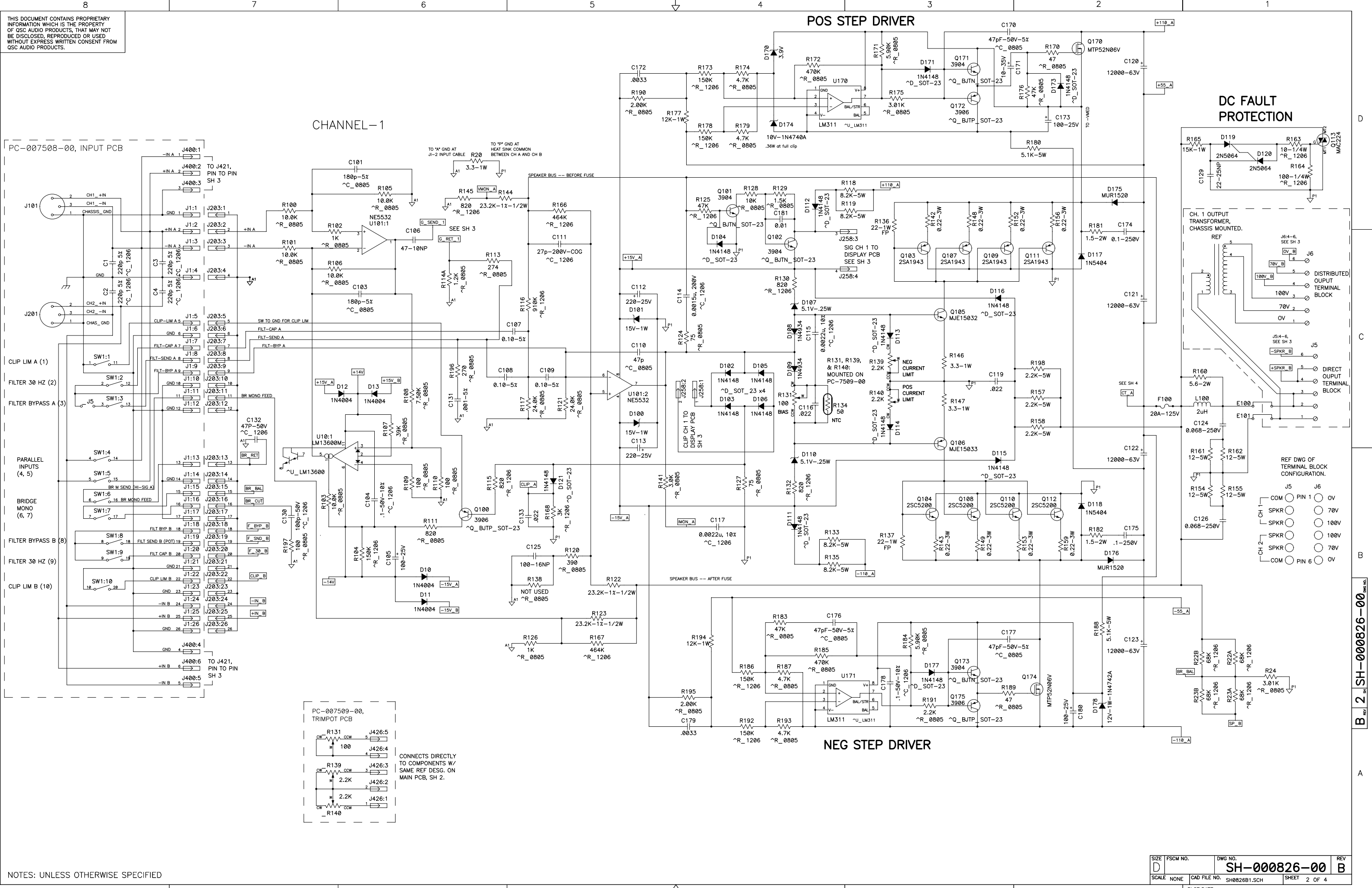
- 11. ZENER TOLERANCE IS 5%
- 10. SMT CAPACITOR VOLTAGE IS 50V
- 9. SMT RESISTOR WATTAGE RATING IS 0.1W
- 8. RESISTOR WATTAGE RATING IS 1/4W
FOR RESISTOR WATTAGE RATINGS GREATER THAN 1W, TOLERANCE IS 5%
FOR RESISTOR WATTAGE RATINGS LESS THAN 1/2W, TOLERANCE IS 1%
- 7. THROUGH-HOLE FILM AND CERAMIC CAPACITOR TOLERANCE IS 10%, VOLTAGE IS 100V
- 6. ELECTROLYTIC CAPACITOR TOLERANCE IS 20%
- 5. J104, J204 ARE CONNECTED PIN TO PIN BY 13-LINE RIBBON CABLE.
- 4. PART NUMBERING SCHEME
PARTS IN COMMON TO BOTH CH: 1-99. CH 1 PARTS 100-199. CH 2 PARTS 200-299
- 3. COMPONENTS MARKED WITH \triangle ARE SAFETY CRITICAL PARTS.
- 2. COMPONENTS WITH VALUE PREFIXED WITH A "*" REPRESENT SMT COMPONENTS.
- 1. THIS DRAWING USED IN CONJUNCTION WITH ASSEMBLY WP-000826-00

NOTES: UNLESS OTHERWISE SPECIFIED

QTY	ITEM NO.	PART NO.	DESCRIPTION	VENDOR
PARTS LIST				
UNLESS OTHERWISE SPECIFIED DIMENSIONS ARE IN INCHES. DIMENSIONS PER ANSI Y14.5-1982 TOLERANCES ARE: DECIMALS DECIMALS ANGLES .XX ± .XXX ± °			CONTRACT NO.	
DEBURR EDGES .XXX R MAX MATERIAL			APPROVALS DATE	
FINISH			DRAWN PAT QUILTER 2-25-00	
NEXT ASSY USED ON			CHECKED R. BECKER 10-13-03	
APPLICATION DO NOT SCALE DRAWING			ISSUED	
			SIZE FSCM NO. DWG NO. REV	
			D SH-000826-00 B	
			SCALE NONE CAD FILE NO. SH0826B1.SCH SHEET 1 OF 4	
			PLOT DATE: Mon Mar 05, 2007	

B Rev 1 SH-000826-00

THIS DOCUMENT CONTAINS PROPRIETARY INFORMATION WHICH IS THE PROPERTY OF OSC AUDIO PRODUCTS, THAT MAY NOT BE DISCLOSED, REPRODUCED OR USED WITHOUT EXPRESS WRITTEN CONSENT FROM OSC AUDIO PRODUCTS.



CHANNEL-1

POS STEP DRIVER

DC FAULT PROTECTION

NEG STEP DRIVER

PC-007508-00, INPUT PCB

PC-007509-00, TRIMPOT PCB

CH. 1 OUTPUT TRANSFORMER, CHASSIS MOUNTED.

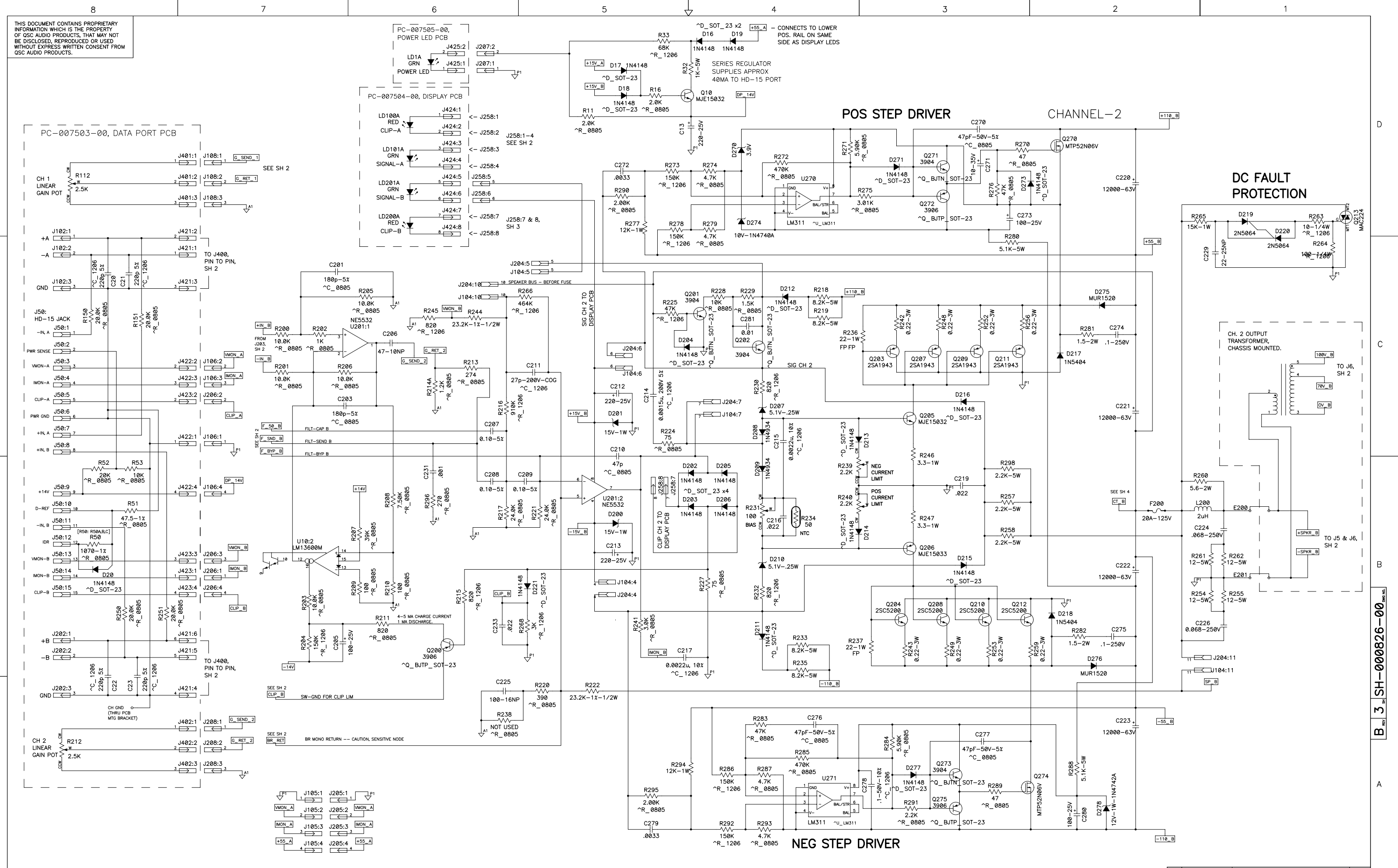
NOTES: UNLESS OTHERWISE SPECIFIED

SIZE	FSCM NO.	DWG NO.	REV
D		SH-000826-00	B
SCALE	CAD FILE NO.	SHEET 2 OF 4	
NONE	SH0826B1.SCH		

B Rev 2 SH-000826-00

PLOT DATE: Mon Mar 05, 2007

THIS DOCUMENT CONTAINS PROPRIETARY INFORMATION WHICH IS THE PROPERTY OF OSC AUDIO PRODUCTS. THAT MAY NOT BE DISCLOSED, REPRODUCED OR USED WITHOUT EXPRESS WRITTEN CONSENT FROM OSC AUDIO PRODUCTS.



NOTES: UNLESS OTHERWISE SPECIFIED

SIZE	FSCM NO.	DWG NO.	REV
D		SH-000826-00	B
SCALE	NONE	CAD FILE NO.	SH0826B1.SCH
		SHEET	3 OF 4
PLOT DATE:		1	
Mon Mar 05, 2007			

THIS DOCUMENT CONTAINS PROPRIETARY INFORMATION WHICH IS THE PROPERTY OF OSC AUDIO PRODUCTS, THAT MAY NOT BE DISCLOSED, REPRODUCED OR USED WITHOUT EXPRESS WRITTEN CONSENT FROM OSC AUDIO PRODUCTS.

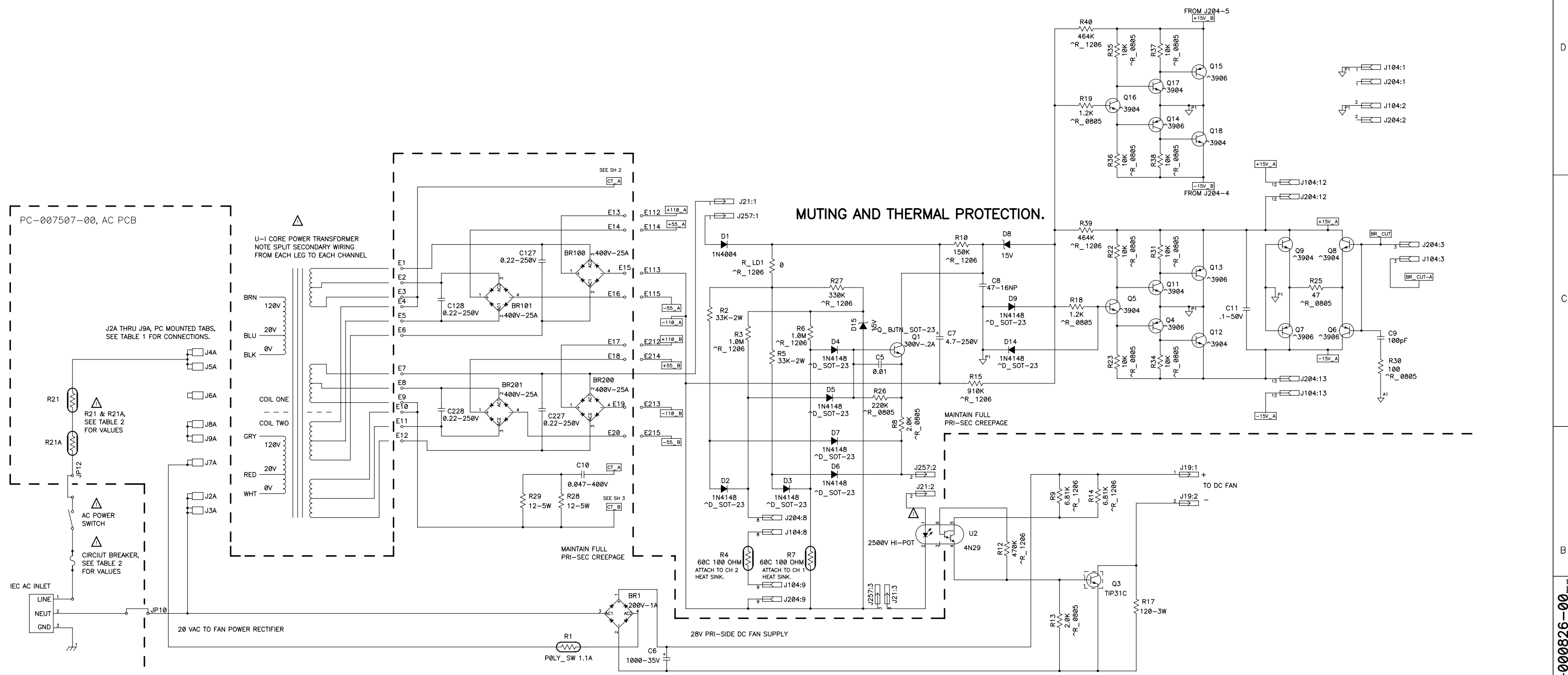


TABLE 1

POWER TRANSFORMER PRIMARY LEAD COLOR	AC LINE VOLTAGE			TAB
	100V	120V	240V	
BRN	BRN	BRN		J4A
GRY	GRY	-		J5A
BLK	BLU	BLU		J6A
-	-	BLK		J8A
-	-	GRY		J9A
WHT	RED	RED		J7A
BLU	BLK	-		J2A
RED	WHT	WHT		J3A

TABLE 2

	AC LINE VOLTAGE		
	100V	120V	240V
CIRCUIT BREAKER	15A-125V	15A-125V	7.5A-250V
R21	1 OHM 30A	1 OHM 30A	4 OHM 15A
R21A	0 OHM (JUMPER)	0 OHM (JUMPER)	4 OHM 15A

NOTES: UNLESS OTHERWISE SPECIFIED

B Rev 4 SH-000826-00