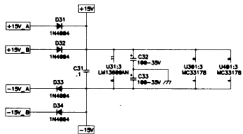
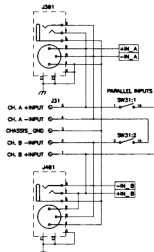
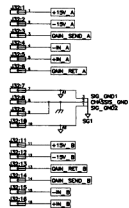


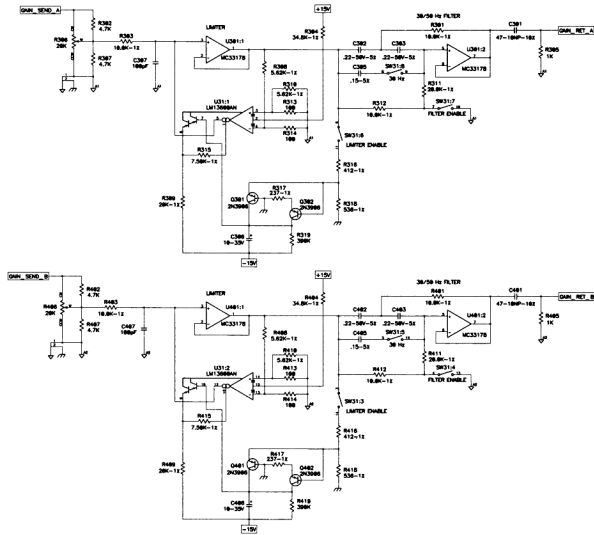
THIS DOCUMENT CONTAINS PROPRIETARY INFORMATION WHICH IS THE PROPERTY OF DUC AUDIO PRODUCTS. IT IS TO BE CONTROLLED, REPRODUCED OR USED IN ANY MANNER WITHOUT EXPRESS WRITTEN CONSENT FROM DUC AUDIO PRODUCTS.



6. PARTS IN COMMON TO BOTH CHANNELS NUMBERED 31-49.
5. CH 2 COMPONENTS NUMBERED 401-499.
4. CH 1 COMPONENTS NUMBERED 301-399.
3. ALL CAPACITORS IN μF , 100V.
2. ALL RESISTOR VALUES ARE IN OHMS, 1/4W, $\pm 5\%$.

1. THIS DRAWING USED IN CONJUNCTION WITH PCB ASSEMBLY WP-001325-00 AND FABRICATION DRAWING PC-001325-00.

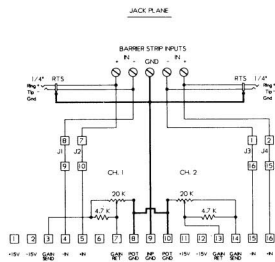
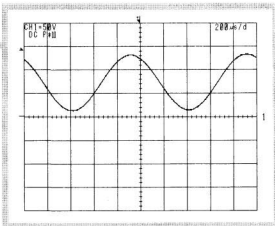
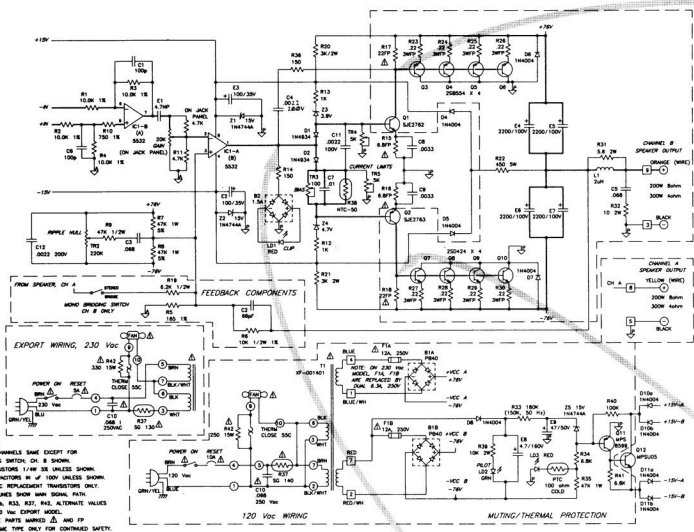
NOTES: UNLESS OTHERWISE SPECIFIED



USA SERIES
INPUT JACK PLANE

REV	FROM REV.	DATE	REV.
1			
2			
3			
4			
5			
6			
7			
8			

THIS DOCUMENT CONTAINS PROPRIETARY INFORMATION WHICH IS THE PROPERTY OF OSC AUDIO PRODUCTS. THAT MAY NOT BE DISCLOSED, REPRODUCED OR USED WITHOUT EXPRESS WRITTEN CONSENT FROM OSC AUDIO PRODUCTS.



NOTES

1. BOTH CHANNELS SAME EXCEPT FOR SWITCHING SWITCH ON B SIGNAL.
2. ALL RESISTORS 1/4W 5% UNLESS SHOWN.
3. ALL CAPACITORS 50 P 100V UNLESS SHOWN.
4. USE VDC REPLACEMENT TRANSISTORS ONLY.
5. HEAVY DASH SHOWS WIRE TERMINALS.
6. FIG. 17A, R33, R37, R42, ALTERNATE VALUES FOR 250 VDC EXPORT MODEL.
7. INCLUDE PARTS MARKED Ⓢ AND Ⓜ WITH SAME TYPE ONLY FOR CONTINUED SAFETY.
8. ALL RESISTORS MARKED 10% ARE OF TOLERANCE.
9. CONSTRUCTION AND MOUNTING OF 1/2 UNIT.
10. CHANNEL B SIGNAL CHANNEL OF B PARALLELIZES.
11. D.E. KT-1-A PHOTODIODE T-3.3 BECOME T-3.3 ON CHANNEL A.
12. AND KT-1-B PHOTODIODE T-3.3 BECOME T-3.3 ON CHANNEL A.

LAST USED	NOT USED
R1	
C10	
R11	Q1, 9
R12	
R13	
C13	
C14	
C15	
R16	
R17	
R18	
R19	

