

6

5

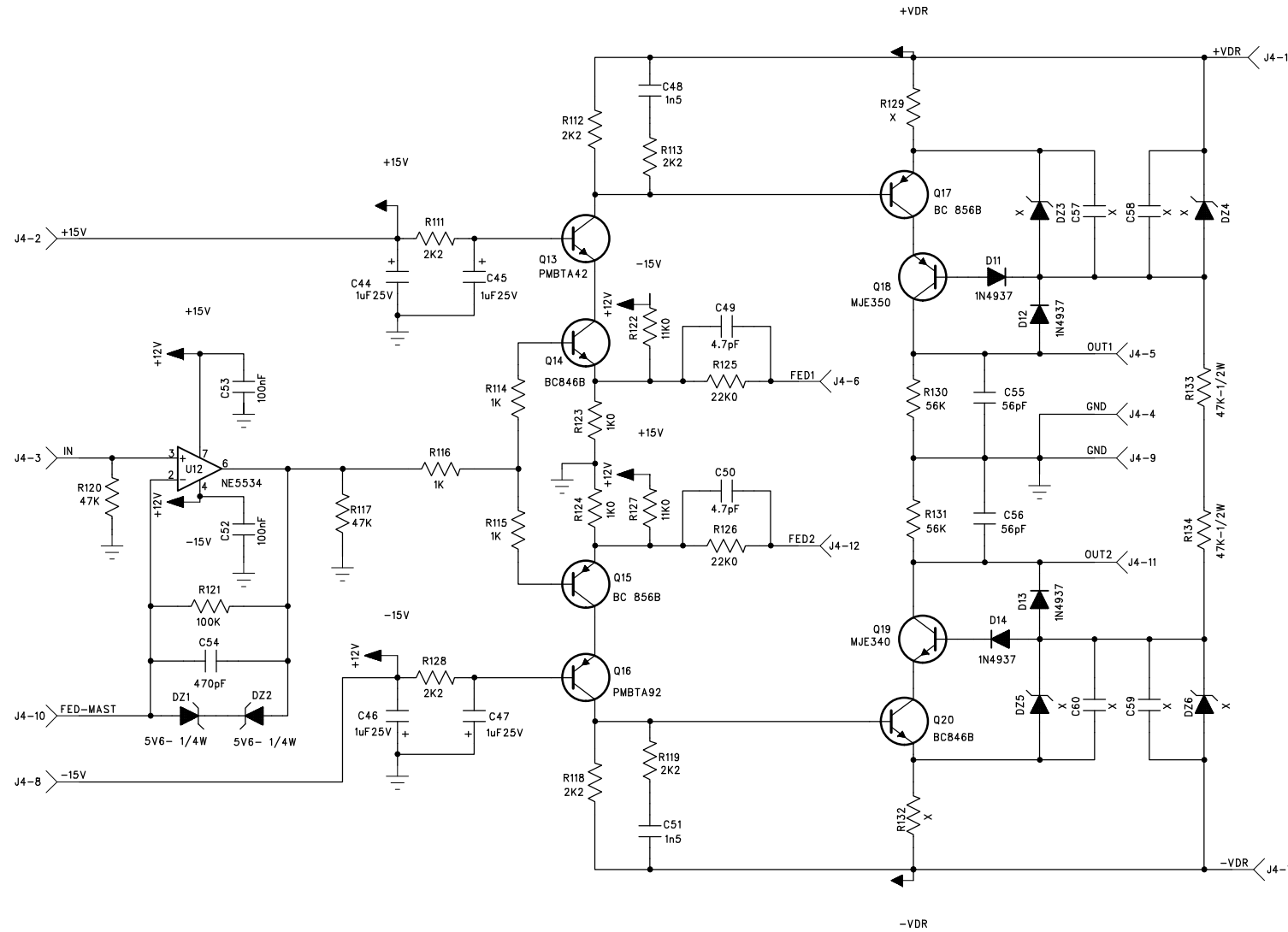
4

3

2

1

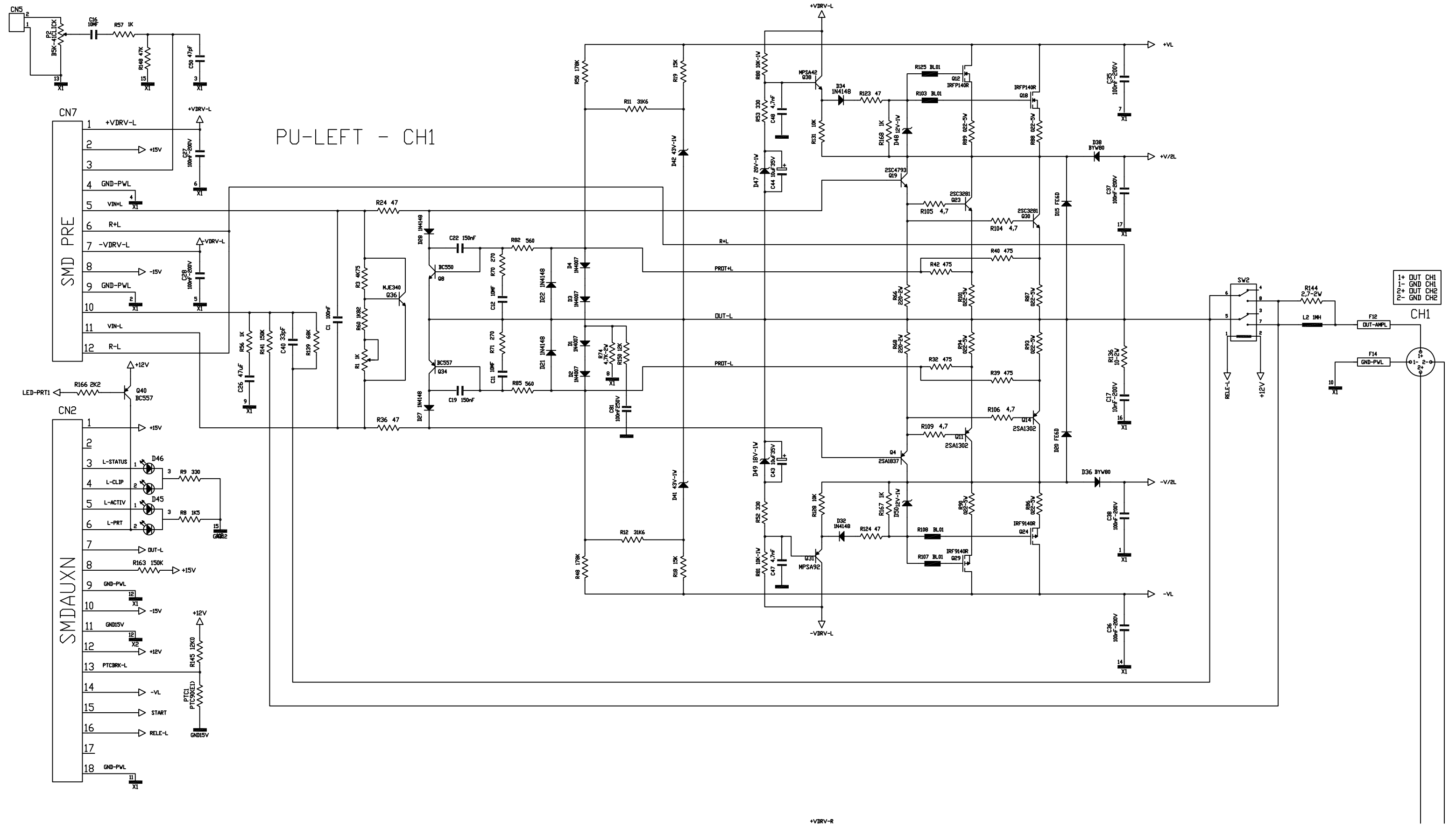
REVISION RECORD			
REV	DESCRIPTION	DATE	BY
A	REVISED & REDRAWN FROM FBT SCHEMATIC	2/12/99	G.L.



REF	MOSFET	TRANSISTOR
DES	HP2080 HP2100 P2400	P2700
R12	RES 150 HOM	RES 100 HOM
R13	RES 150 HOM	RES 100 HOM
DZ1	/	ZENER 3.3V 1/4W
DZ2	/	ZENER 3.3V 1/4W
DZ3	RES 4.7K HOM	ZENER 6.2V 1/4W
DZ4	RES 4.7K HOM	ZENER 6.2V 1/4W
C4	/	CAP 100nF
C5	/	CAP 100nF
C19	CAP 100nF	/
C20	CAP 100nF	/
PCB	CSPRE03	CSPRE03

COMPANY:			
RENKUS-HEINZ, Inc.			
TITLE:			
SCHEMATIC, PREAMP-SMD			
DESIGNED:	DATED:	SIZE:	DRAWING NO:
FBT	2/12/99	C	700-PCA574
RELEASED:	DATED:	REV:	
			A
DRAWN:	DATED:	FILE:	
FBT/G.L.	2/12/99	D00854-A.SCH	
QUALITY CONTROL:	DATED:	SH	OF
		1	1

PU-LEFT - CH1



+VDRV-R

