

6

5

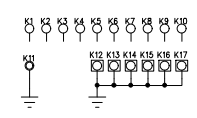
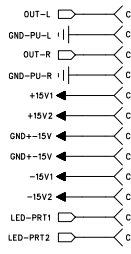
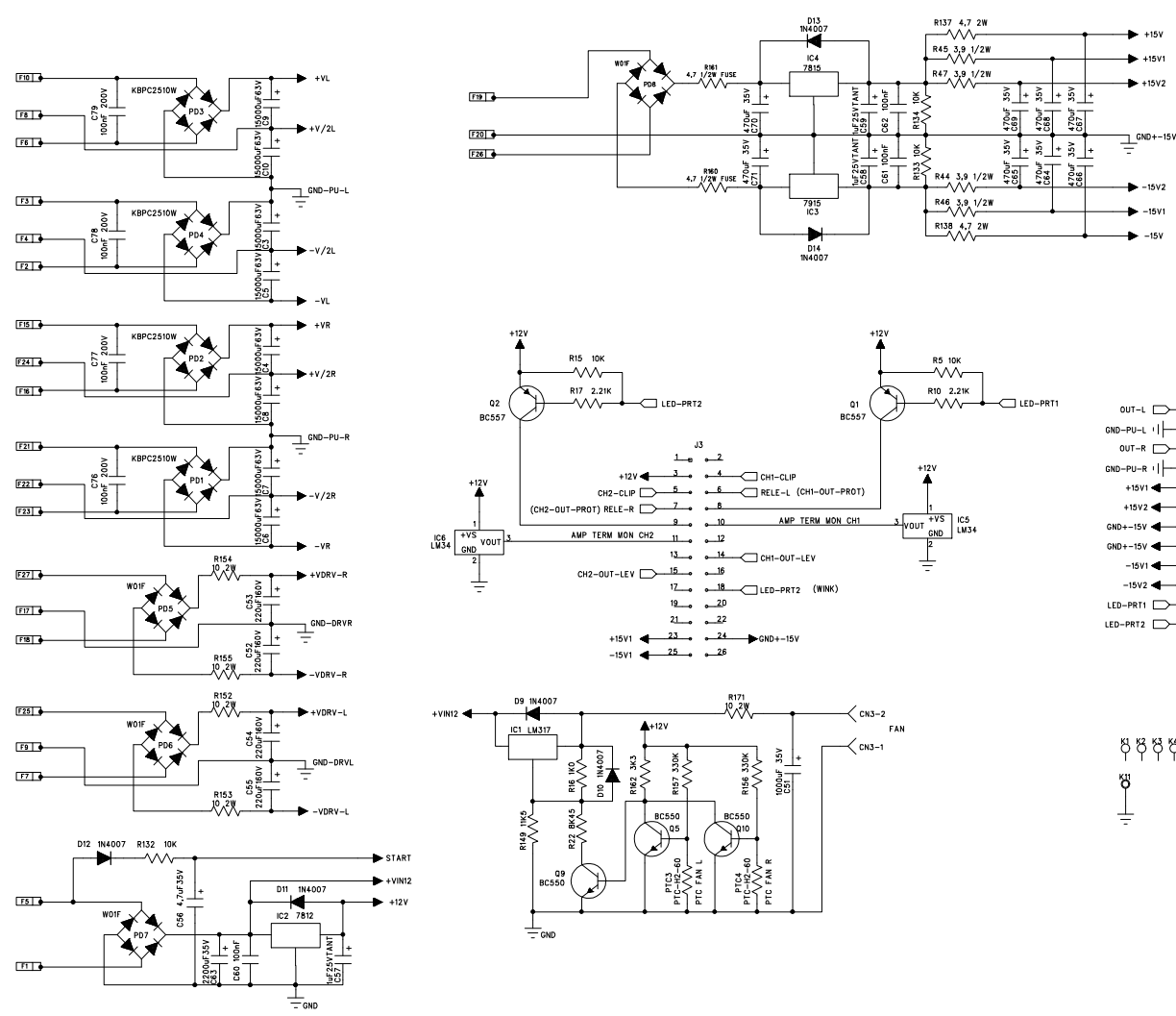
4

3

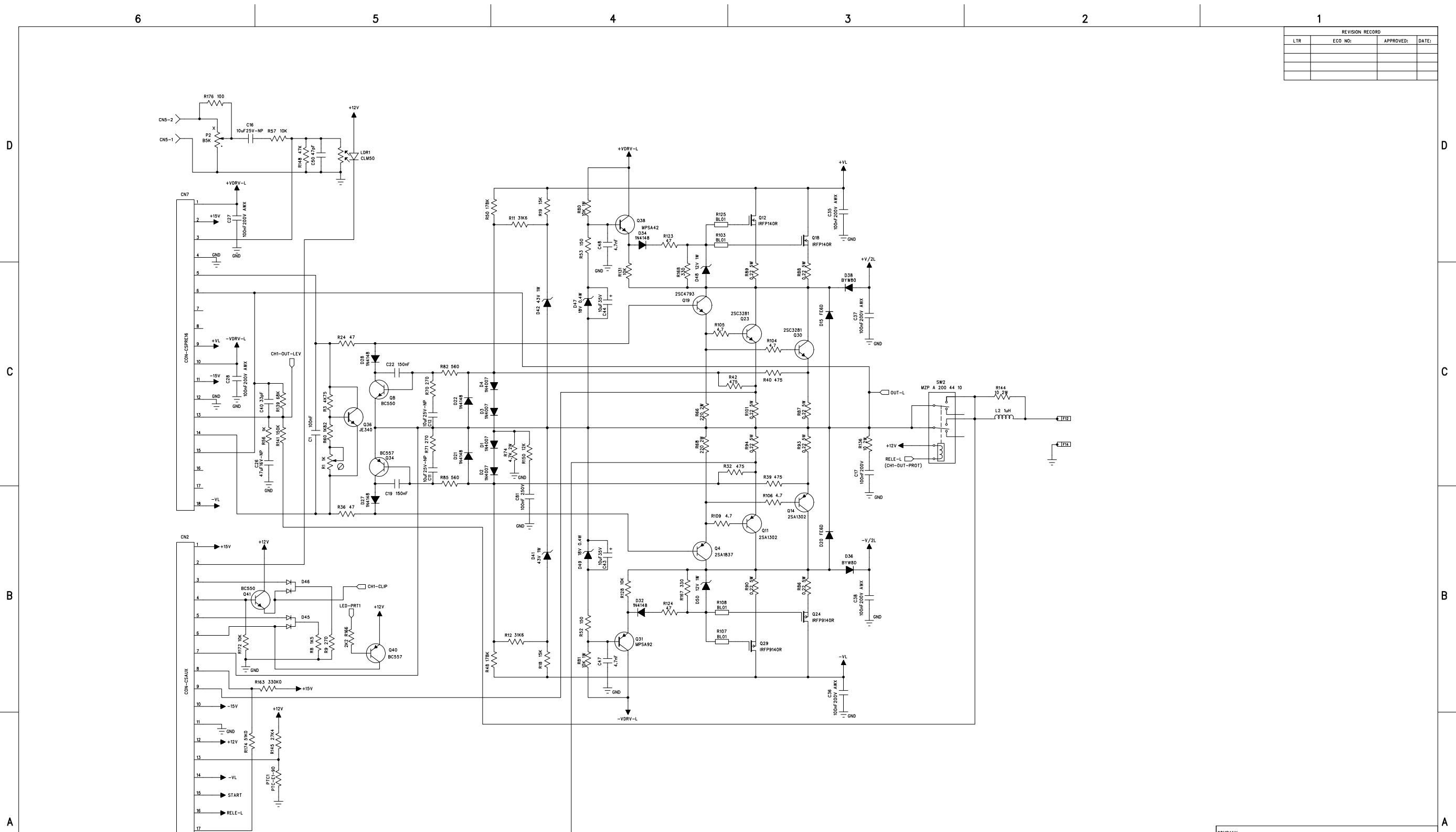
2

1

REVISION RECORD			
LTR	ECO NO:	APPROVED:	DATE:



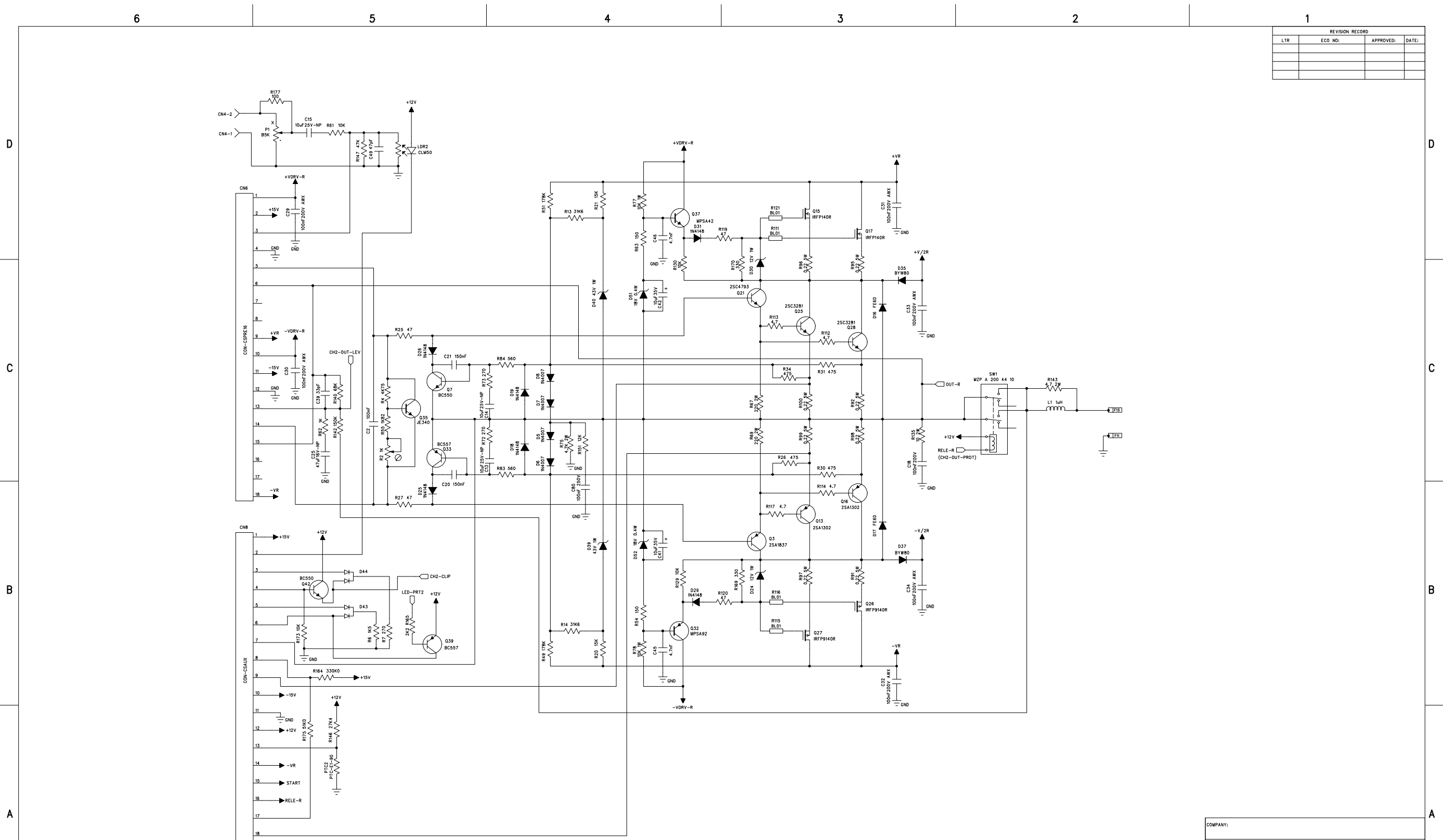
DRAWN:		DATED:		COMPANY:	
CHECKED:		DATED:		TITLE:	
QUALITY CONTROL:		DATED:		CODE:	SIZE:
RELEASED:		DATED:		DRAWING NO:	
				REV:	
SCALE:				SHEET: OF	



REVISION RECORD			
LTR	ECO NO:	APPROVED:	DATE:

DRAWN:		DATED:		COMPANY:	
CHECKED:		DATED:		TITLE:	
QUALITY CONTROL:		DATED:		CODE:	SIZE:
RELEASED:		DATED:		DRAWING NO:	
					REV:
SCALE:				SHEET: OF	

REVISION RECORD			
LTR	ECO NO:	APPROVED:	DATE:



DRAWN:	DATED:	COMPANY:			
CHECKED:	DATED:	TITLE:			
QUALITY CONTROL:	DATED:	CODE:	SIZE:	DRAWING NO:	REV:
RELEASED:	DATED:	SCALE:	SHEET:		OF

6

5

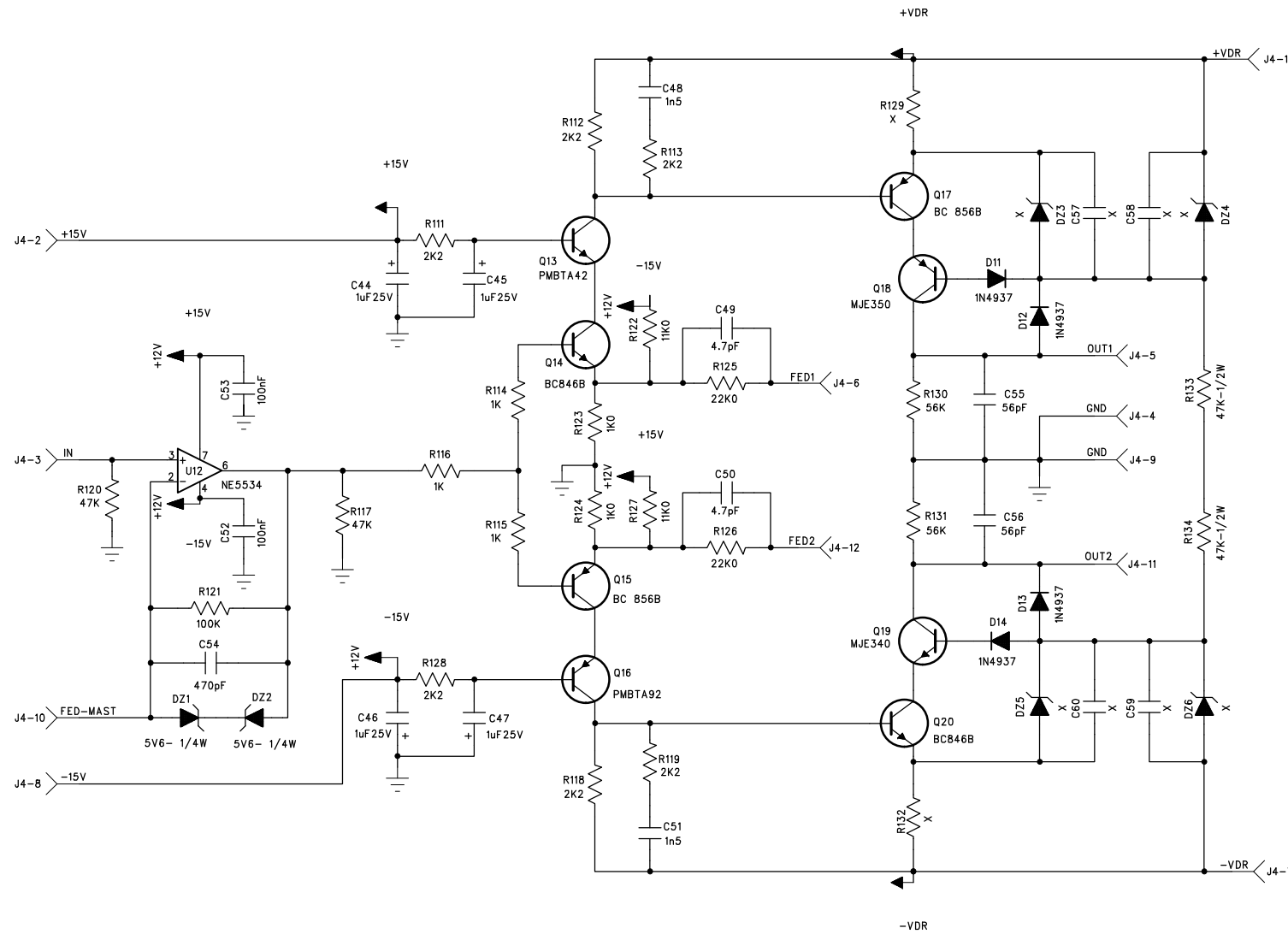
4

3

2

1

REVISION RECORD			
REV	DESCRIPTION	DATE	BY
A	REVISED & REDRAWN FROM FBT SCHEMATIC	2/12/99	G.L.



REF	MOSFET	TRANSISTOR
DES	HP2080 HP2100 P2400	P2700
R12	RES 150 HOM	RES 100 HOM
R13	RES 150 HOM	RES 100 HOM
DZ1	/	ZENER 3.3V 1/4W
DZ2	/	ZENER 3.3V 1/4W
DZ3	RES 4.7K HOM	ZENER 6.2V 1/4W
DZ4	RES 4.7K HOM	ZENER 6.2V 1/4W
C4	/	CAP 100nF
C5	/	CAP 100nF
C19	CAP 100nF	/
C20	CAP 100nF	/
PCB	CSPRED3	CSPRED3

COMPANY:			
RENKUS-HEINZ, Inc.			
TITLE:			
SCHEMATIC, PREAMP-SMD			
DESIGNED:	DATED:	SIZE:	DRAWING NO:
FBT	2/12/99	C	700-PCA574
RELEASED:	DATED:	REV:	
			A
DRAWN:	DATED:	FILE:	
FBT/G.L.	2/12/99	D00854-A.SCH	
QUALITY CONTROL:	DATED:	SH	OF
		1	1

6

5

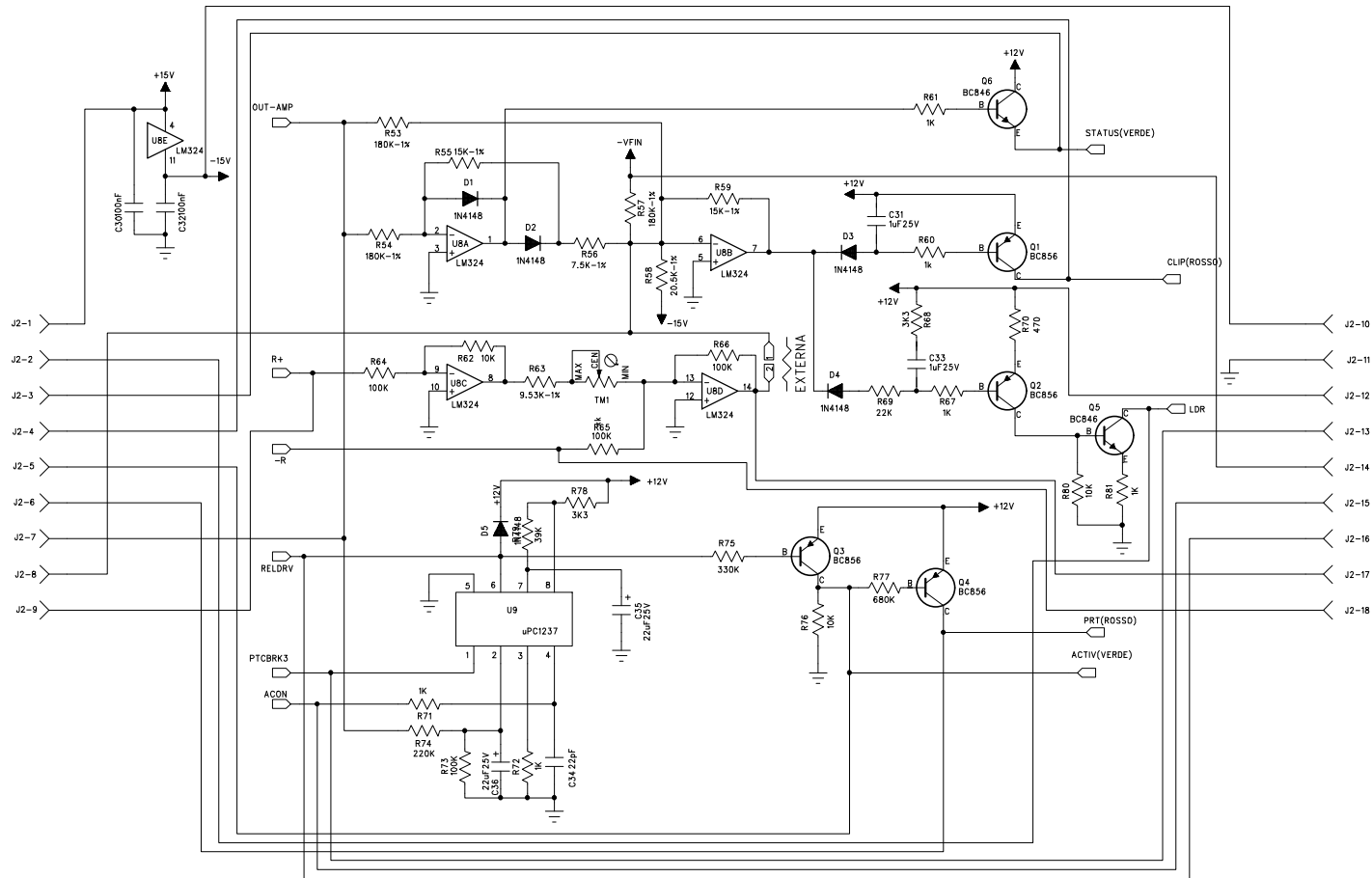
4

3

2

1

REVISION RECORD			
REV	DESCRIPTION	DATE	BY
A	REVISED & REDRAWN FROM FBT SCHEMATIC.	1/28/99	GL



D

C

B

A

D

C

B

A

COMPANY:			
RENKUS-HEINZ, Inc.			
TITLE:			
SCHEMATIC, SMD-AUX1			
DESIGNED:	DATED:	SIZE:	DRAWING NO:
FBT	1/28/99	C	700-PCA571
RELEASED:	DATED:		REV:
			A
DRAWN:	DATED:	FILE:	
FBT/G.L.	1/28/99	D00848-A.SCH	
QUALITY CONTROL:	DATED:		
			SH 1 OF 1