

AC-100E/AC-100U SERVICE NOTES

ACCOUSTIC CHORUS-100

Addendum

NOTICE

The Service Notes for AC-100e/AC-100u that has been issued in Jun.1995 has an error with omission page of "EFFECT PCB ASSY/CIRCUIT DIAGRAM".

For supplementary to this page, please add (or file) this addendum to the first page of the service notes (issued in Jun.1995) because the table of contents is changed.

注意

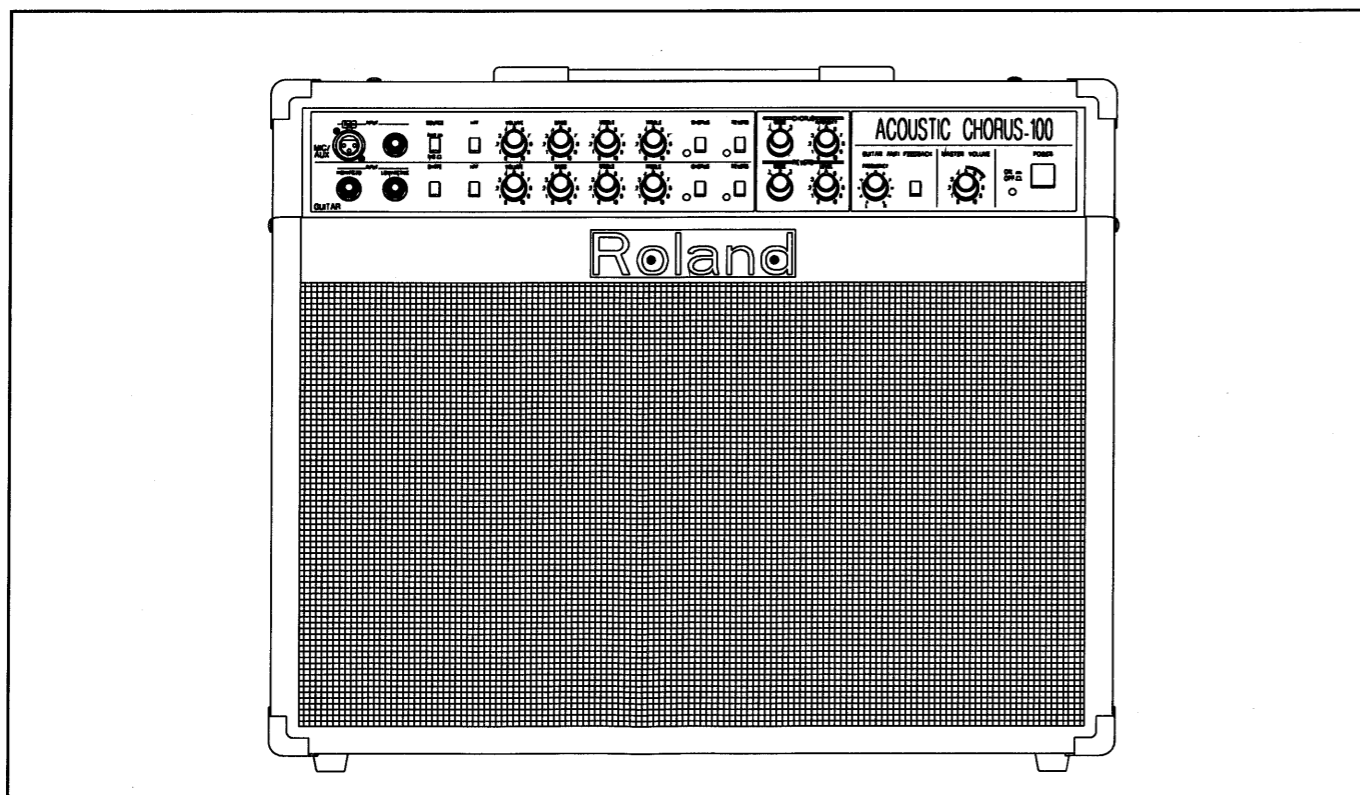
1995年6月に発行されたAC-100E/AC-100Uサービスノートにエフェクトボードの基板図及び回路図が掲載されていませんでした。

よって、この追加版を発行致します。サービスノートの最初のページに綴じて使用して下さい。(目次も変更されています。)

MEMO

TABLE OF CONTENTS

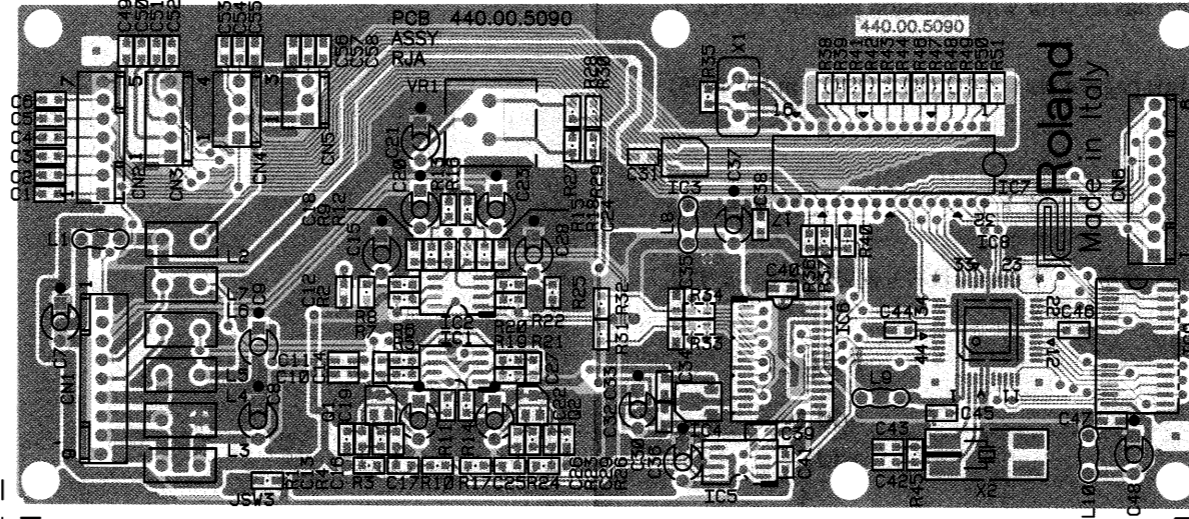
	Pages
EFFECT PCB ASSY	add 2
CIRCUIT DIAGRAM (EFFECT BOARD)	add 2
SPECIFICATIONS	1
LOCATION OF CONTROLS	2
EXPLODED VIEW N.1	3
EXPLODED VIEW N.2	4
BLOCK DIAGRAM	5
BLOCK DIAGRAM	6
NOTE : Please make page 6 invalid because this page is overlaped with page 5.	
注意 : このページは5ページの内容と重複していますので無効にして下さい。	
GUITAR CH PCB ASSY-MIC/AUX CH PCB ASSY	7
CIRCUIT DIAGRAM (GUITAR CH BOARD MIC/AUX CH BOARD)	8
POWER IC PCB ASSY-JACK PCB ASSY-POWER AMP PCB ASSY	9
CIRCUIT DIAGRAM (POWER IC BOARD-JACK BOARD-POWER AMP BOARD)	10
PARTS LIST AC-100E/AC-100U (or AC-100CH)	11
ADJUSTMENT	12



1 2 3 4 5 6 7 8 9 10 11 12 13 14 15 16 17 18 19 20 21 22 23 24 25 26 27 28 29 30 31 32 33 34 35 36 37 38 39 40

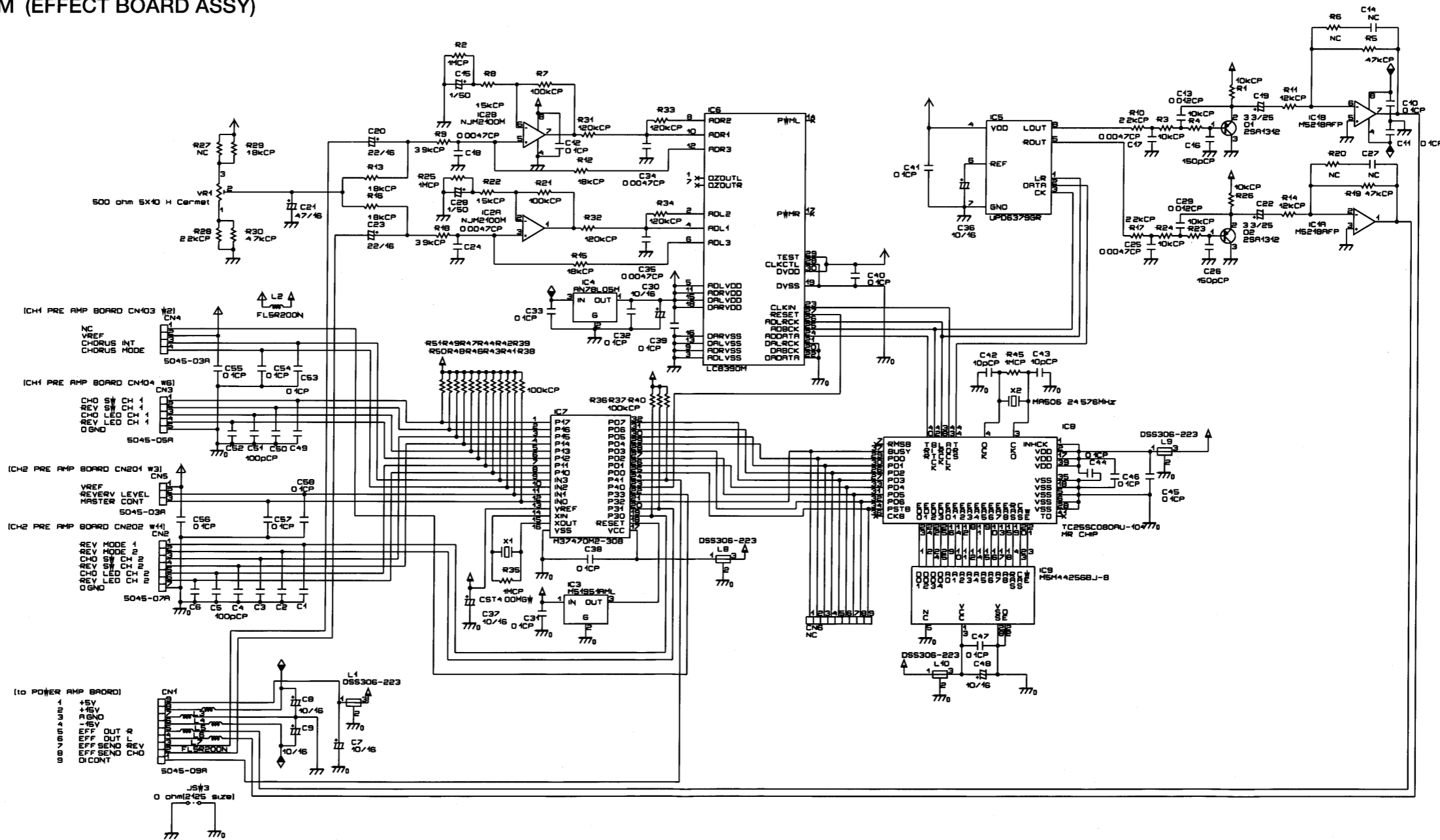
A
B
C
D
E
F
G
H
I
J
K
L
M
N
O
P
Q
R
S
T
U
V

EFFECT PCB ASSY (OR EFFECT BOARD ASSY)
ASSY 7098601000



View from components side.

CIRCUIT DIAGRAM (EFFECT BOARD ASSY)



ACOUSTIC CHORUS-100 AC-100E/AC-100U

SERVICE NOTES

Note :

The AC-100 has a 230/240 volt version called the "AC-100E" made in Italy and a 100/117 volt version called the "AC-100U" made in the USA. Some parts used in these versions may differ so refer to the chart below to order the correct parts for each version when repair parts are needed.

注意

AC-100には、イタリアで生産された230V/240V仕様の製品"AC-100E"と、アメリカで生産された100V/117V仕様の製品"AC-100U"があります。両製品は一部異なった部品が使用されていますので、補修用部品を注文する際は下表を参考に、それぞれに適した部品を注文して下さい。

TABLE OF CONTENTS

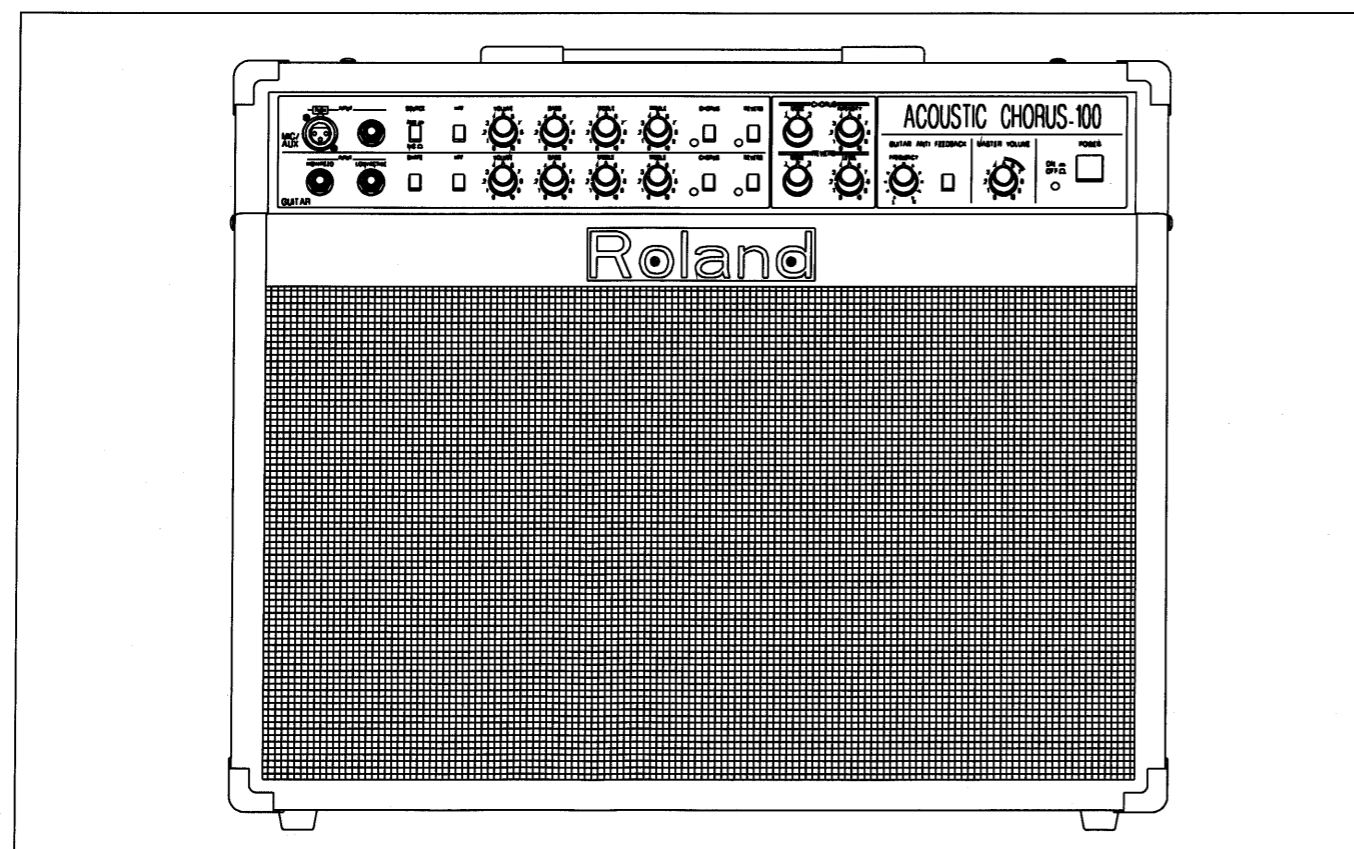
SPECIFICATIONS	1
LOCATION OF CONTROLS	2
EXPLODED VIEW N. 1	3
EXPLODED VIEW N. 2	4
BLOCK DIAGRAM	5
GUITAR CH PCB ASSY-MIC/AUX CH PCB ASSY	6
CIRCUIT DIAGRAM (GUITAR CH BOARD-MIC/AUX CH BOARD)	7
POWER IC PCB ASSY-JACK PCB ASSY-POWER AMP PCB ASSY	8
CIRCUIT DIAGRAM (POW. IC BOARD-JACK BOARD-POW. AMP BOARD)	9
EFFECT PCB ASSY	10
CIRCUIT DIAGRAM (EFFECT BOARD)	10
PARTS LIST AC-100E/AC100U (or AC-100CH)	11-12
ADJUSTMENT	12

	AC-100E 230V/240V VERSION	AC-100U 100V/117V VERSION
SPEAKER 12 inch	SPEAKER 12" (#2418115)	SPEAKER G1204E02 (#17055047)
SPEAKER 5 inch	SPEAKER 5" (#2418116)	SPEAKER G0508E03 (#17055048)
CABINET ASSY	FINISHED CABINET ASSY (#7098605000)	CABINET ASSY (#17055046)
BAFFLE BOARD	FRONT PANEL + CLOSE (#K1148118)	BAFFLE BOARD ASSY (#17055045)
REAR BOARD	PVC REAR PANEL (#K1148116)	REAR BOARD (#17055049)
POWER SUPPLY	Parts such as the transformer, AC power cord and fuse are different because of different voltage requirements. (Please refer to the parts list.) 電圧仕様の違いにより、使用されるトランス、ACコード、ヒューズ等が異なります。 (パーツリスト参照)	
SCREWS	The screws used to secure the speaker, rear board and corner cover are of different types. (Please refer to the parts list.) SPEAKER、REAR BOARD、CORNER COVERをとめるネジ類が異なります。(パーツリスト参照)	

SPECIFICATIONS

Output Power	100W(25W + 25W + 50W)	Dimensions	646(W) x 533(H) x 298(D)mm (25-7/16" x 21" x 11-3/4")
Speakers	12cm(5") x 2, 30cm(12") x 1	Weight	25Kg (55lbs 2 oz)p
Input	Mic/AUX Ch. XLR, Phone Guitar Ch. Hi/Piezo, Low/Active	Options	FS-1/Foot Switch, FS-5L/Bass Foot Switch
Control(Front)	Mic/AUX Ch. Source (Mix/AUX) HPF, Chorus, Reverb (On/Off) Volume, Bass, Middle, Treble Guitar Ch. Shape, HPF, Chorus, Reverb (On/Off) Volume, Bass, Middle, Treble Master Anti Feedback (On/Off), Frequency Digital Chorus : Mode (1/2/3), Intensity Digital Chorus : Mode (1/2/3), Level Master Volume, Power (On/Off)		
Rear Jack	Line Out : XLR(A, B), Phone(A, B), Pre EQ/PostEFF SW Effect (Send, Return), Foot Switch(Reverb, Chorus)		

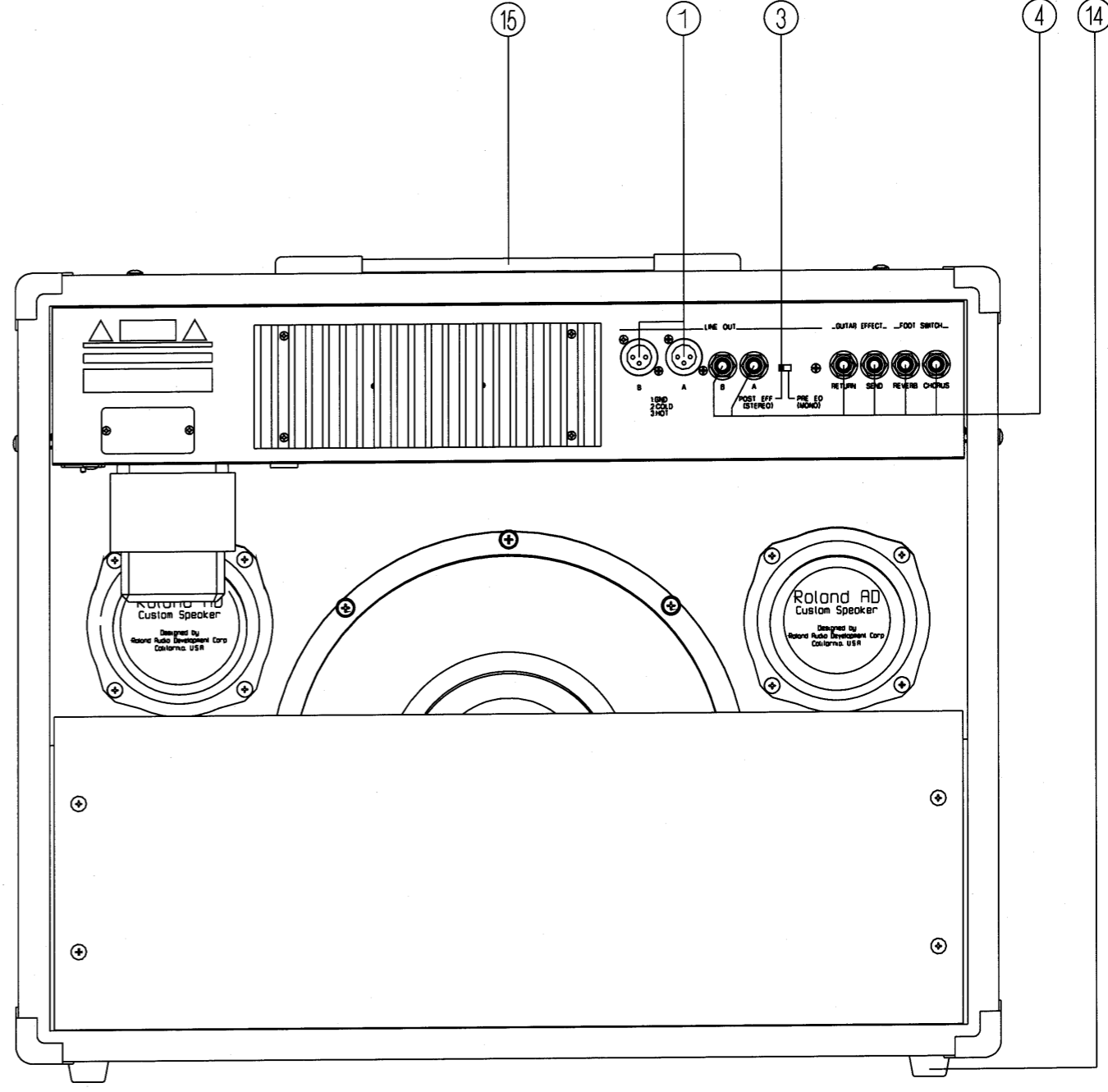
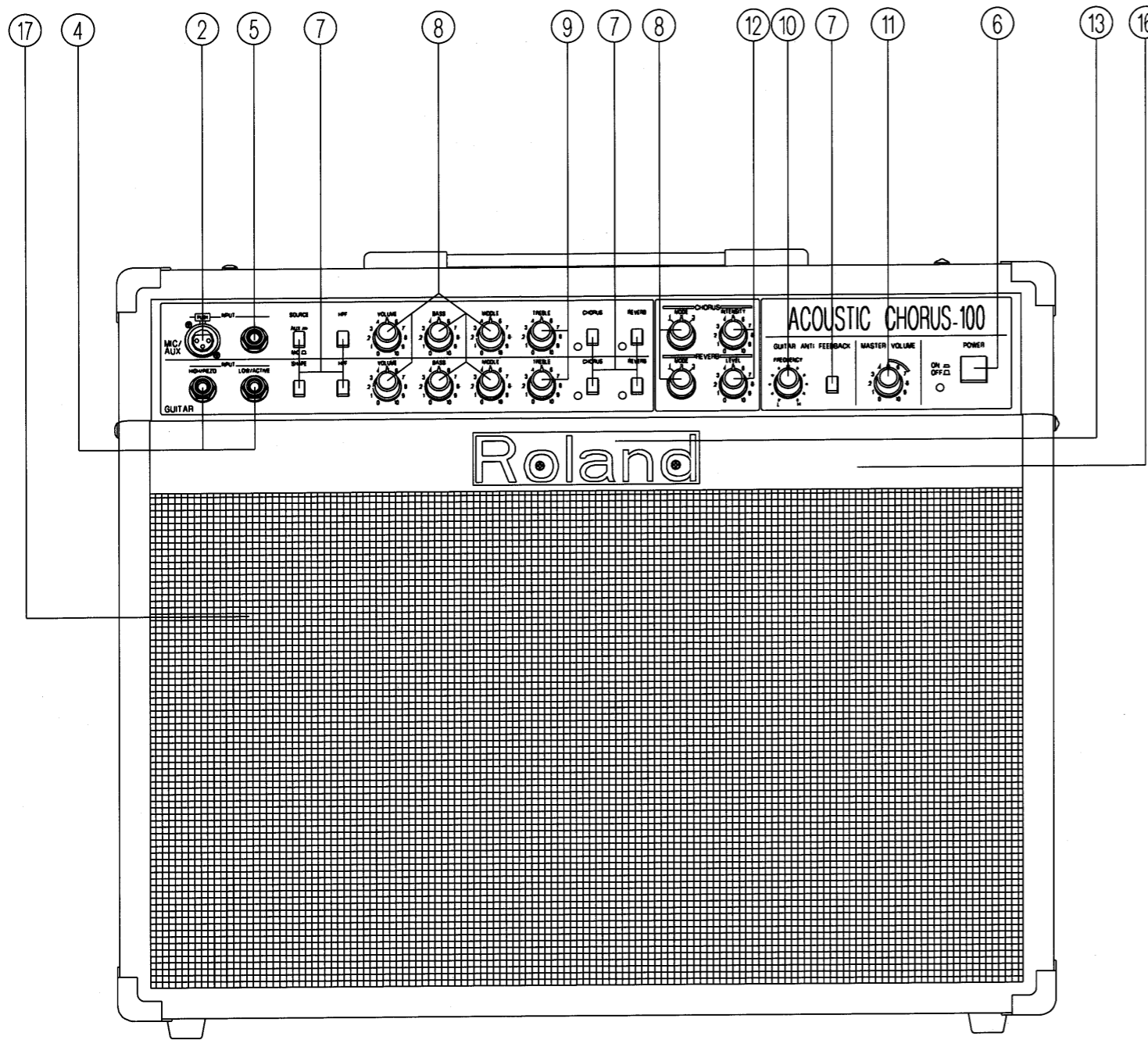
AC-100U (or AC-100CH)



1 2 3 4 5 6 7 8 9 10 11 12 13 14 15 16 17 18 19 20 21 22 23 24 25 26 27 28 29 30 31 32 33 34 35 36 37 38 39 40

A
B
C
D
E
F
G
H
I
J
K
L
M
N
O
P
Q
R
S
T
U
V

LOCATION OF CONTROLS



NO.	PARTS NAME	PARTS NUMBER
1	CANON SOCKET YKF52-5003	00122123
2	CANON SOCKET AF3LR-PC-RT	13429688
3	2P SWITCH SSSU122-S09N-1	13159178
4	JACK SOCKET YKB21-5011	13449149
	JACK NUT	22150756
5	JACK SOCKET YKB21-5005	13449263
	JACK NUT	22150756
6	SWITCH SDDLBI-TV5	13129160
	CAPS FOR MAINS SWITCH (BLACK)	22495565

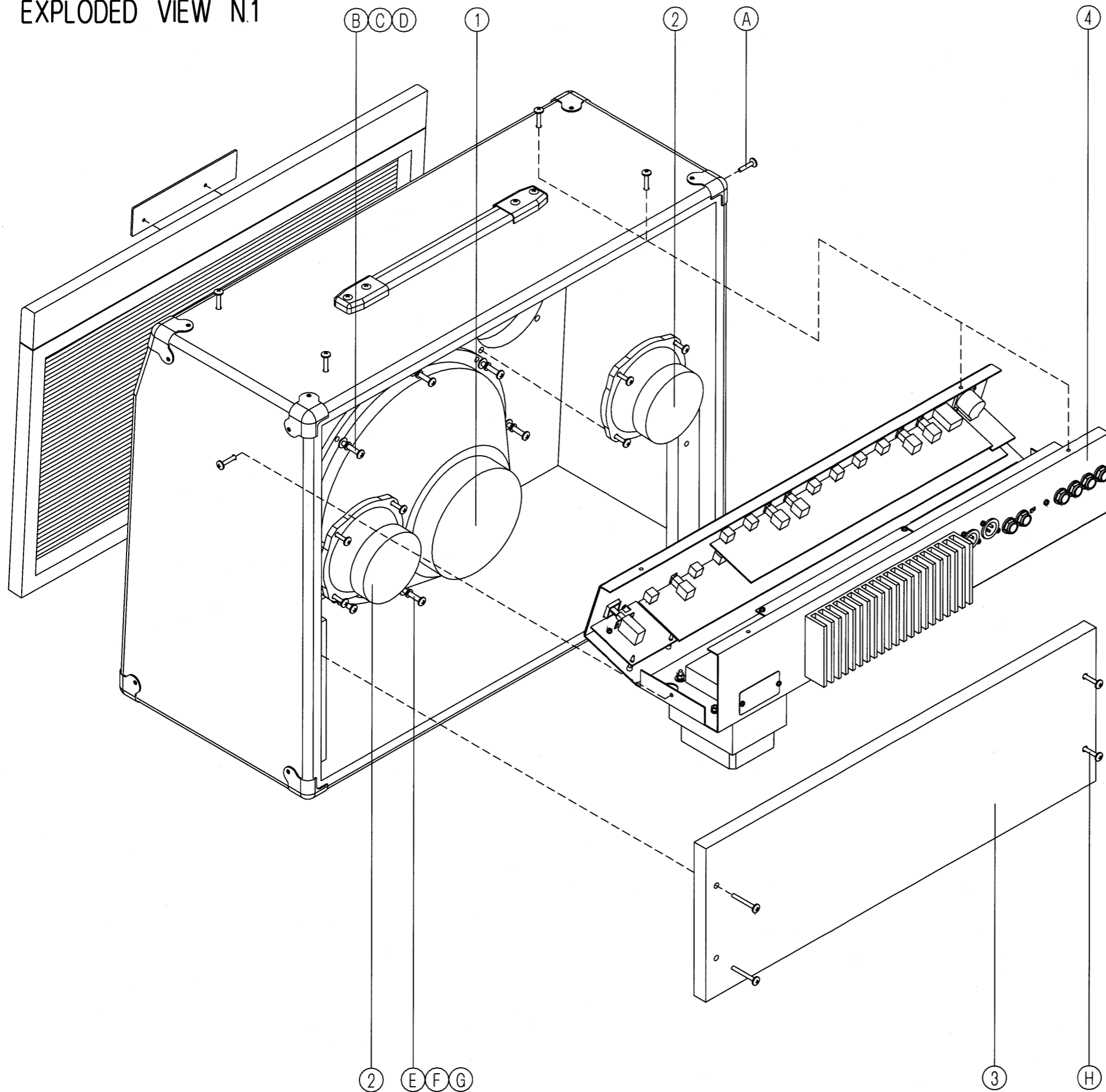
NO.	PARTS NAME	PARTS NUMBER
7	SWITCH PSKOP-AF2KX 4A021	13129405
	CAPS FOR SWITCH (BLACK)	7098605000
8	ROT.POT 20KB 09L1120	13289233
	KNOB WITH BRASS INSERT	7098605000
9	ROT.POT 100KB 09L1120	13289217
	KNOB WITH BRASS INSERT	7098605000
10	ROT.POT 50KCX2 09L12	00675823
	KNOB WITH BRASS INSERT	7098605000
11	ROT.POT 100KBX4 09714	00782578
	KNOB WITH BRASS INSERT	7098605000

NO	PARTS NAME	PARTS NUMBER
12	ROT SWITCH SRBM13 N-F15	13119218
	KNOB WITH BRASS INSERT	7098605000
13	LOGO BADGE ROLAND	K2238110
14	RUBBER FOOT MP-600	12359104
15	HANDLE H40+ESCUTCHEON	22310207
16	PVC FRONT PANEL	K1148117
17	FRONT PANEL+CLOTH for AC-100E	K1148118
	BAFFLE BOARD ASSY for AC-100U	17055045

1 2 3 4 5 6 7 8 9 10 11 12 13 14 15 16 17 18 19 20 21 22 23 24 25 26 27 28 29 30 31 32 33 34 35 36 37 38 39 40

A
B
C
D
E
F
G
H
I
J
K
L
M
N
O
P
Q
R
S
T
U
V

EXPLODED VIEW N.1

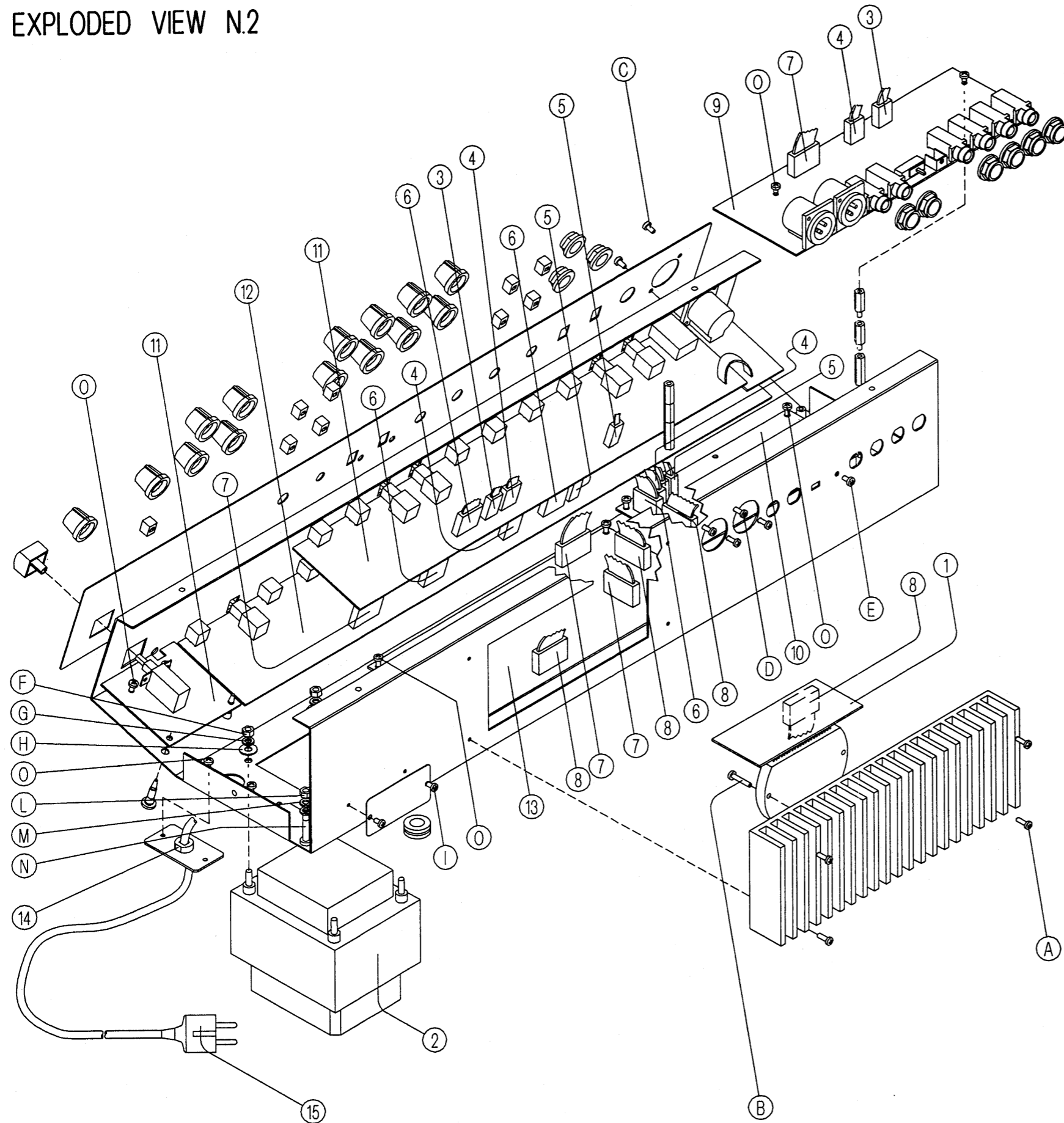


NO	PARTS NAME		PART NUMBER
1	SPEAKER 12"	AC-100E	K2418115
	SPEAKER G1204E02	AC-100U	17055047
2	SPEAKER 5"	AC-100E	K2418116
	SPEAKER G0508C03	AC-100U	17055048
3	PVC REAR PANEL	AC-100E	K1148116
	REAR BOARD	AC-100U	17055049
4	VARN + SILKSCR CHASSIS	AC-100E/U	7098614000
A	SELF LOCK SCREW M4X35 TCTC TFR 9.5	AC-100E	J2289167
	M4X35 SCREW	AC-100U	17055051
B	SELF LOCK SCREW M5X30 TCTC	AC-100E	J2289163
C	FLAT WASHER I/D 5	AC-100E	J2139107
D	TOOTHED WASHER I/D 5	AC-100E	J2139108
BCD	#8-32 KEPS NUT	AC-100U	17055050
E	SELF LOCK SCREW M4X30 TCTC	AC-100E	J2289166
F	FLAT WASHER I/D 5	AC-100E	J2139107
G	TOOTHED WASHER I/D 5	AC-100E	J2139108
EFG	#8-32 KEPS NUT	AC-100U	17055050
H	SELF LOCK SCREW M4X35 TCTC TFR 9.5	AC-100E	J2289167
	#8-32 X1 1/2 PH PN BK	AC-100U	17055052

1 2 3 4 5 6 7 8 9 10 11 12 13 14 15 16 17 18 19 20 21 22 23 24 25 26 27 28 29 30 31 32 33 34 35 36 37 38 39 40

A
B
C
D
E
F
G
H
I
J
K
L
M
N
O
P
Q
R
S
T
U
V

EXPLODED VIEW N.2

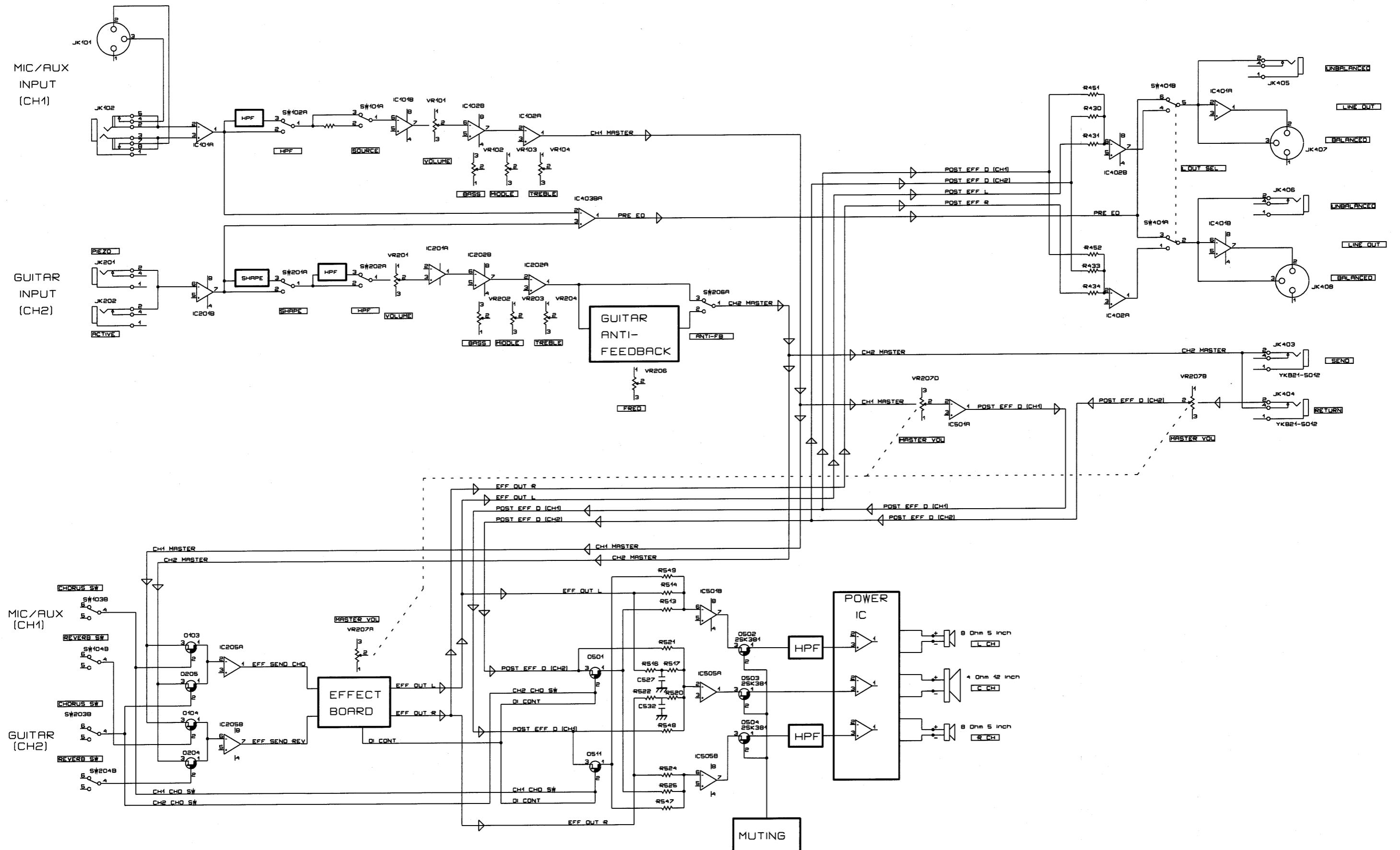


NO.	PARTS NAME	PARTS NUMBER
1	AMPLIFIER ASSY AC-100E	7098606000
2	POWER TRANSFORMER 230/240V AC-100E	K2458129
2	POWER TRANSFORMER 100/117V AC-100CH	K2458130
3	4-CBL ASSY (28) W(4PC-4PC)	7626202000
4	5P CBL ASSY (22) W(5PC-5PC)	7695219000
5	3-CBL ASSY (10)	7098612000
6	7-CBL ASSY (12) W(7PC-7PC)	7696810000
7	9-CBL ASSY (20)	7316407000
8	9-CBL ASSY (12)	7695612000
9	JACK SOCKETS ASSY AC-100E	7098607000
10	EFFECT PCB ASSY AC-100E	7098601000
11	CONTROL PCB ASSY+SWITCH 230/240V AC-100E	7098602000
11	CONTROL PCB ASSY+SWITCH 100/117V AC-100CH	7098701000
12	LOWER CONTROLS PCB ASSY AC-100E	7098611000
13	PRE-AMPLIFIER ASSY	7098608000
14	MAINS CBL HOLDER SR-5R1 AC-100E	J2369108
14	MAINS CBL HOLDER SR-6P1 AC-100CH	J2369110
15	MAINS CBL VDE 3X0.75 BLACK 230V AC-100E	J3439118
15	MAINS CBL GB 2X0.75 BLACK 230VE AC-100E	I3499152RI
15	MAINS CBL VDE 3X0.75 BLACK 240VA AC-100E	J3439129
15	MAINS CBL VCTF 2X0.75 100V AC-100CH	I3439802W0
15	MAINS CBL VL/CSA 3X0.75 BLACK 117V AC-100CH	J3439137
A	SELF TAP.SCREW 2,9X10 TC TC	J2289102
B	PITCH SCREW M3X16 TC TC	J2289132
C	SELF LOCK.SCREW M3X6 TC TC H.6	J2289107
D	SELF TAP.SCREW 2,9X10 TC TC	J2289102
E	SELF LOCK.SCREW M3X6 TC TC H.6	J2289107
F	SCREW NUT 4 MA THICK. 4	J2289144
G	TOOTHED WASHER I/D 4	J2139103
H	FLAT WASHER I/D 5	J2139107
I	SELF TAP.SCREW 2,9X6 TC TC	J2289101
L	NUT 4MA TH. 3 - TROP.	J2289169
M	TOOTHED WASHER I/D 4	J2139103
N	SELF LOCK.SCREW M4X20 TC TC TFR	J2289168
O	SELF LOCK.SCREW M3X4 TC TC H.6	J2289111

1 2 3 4 5 6 7 8 9 10 11 12 13 14 15 16 17 18 19 20 21 22 23 24 25 26 27 28 29 30 31 32 33 34 35 36 37 38 39

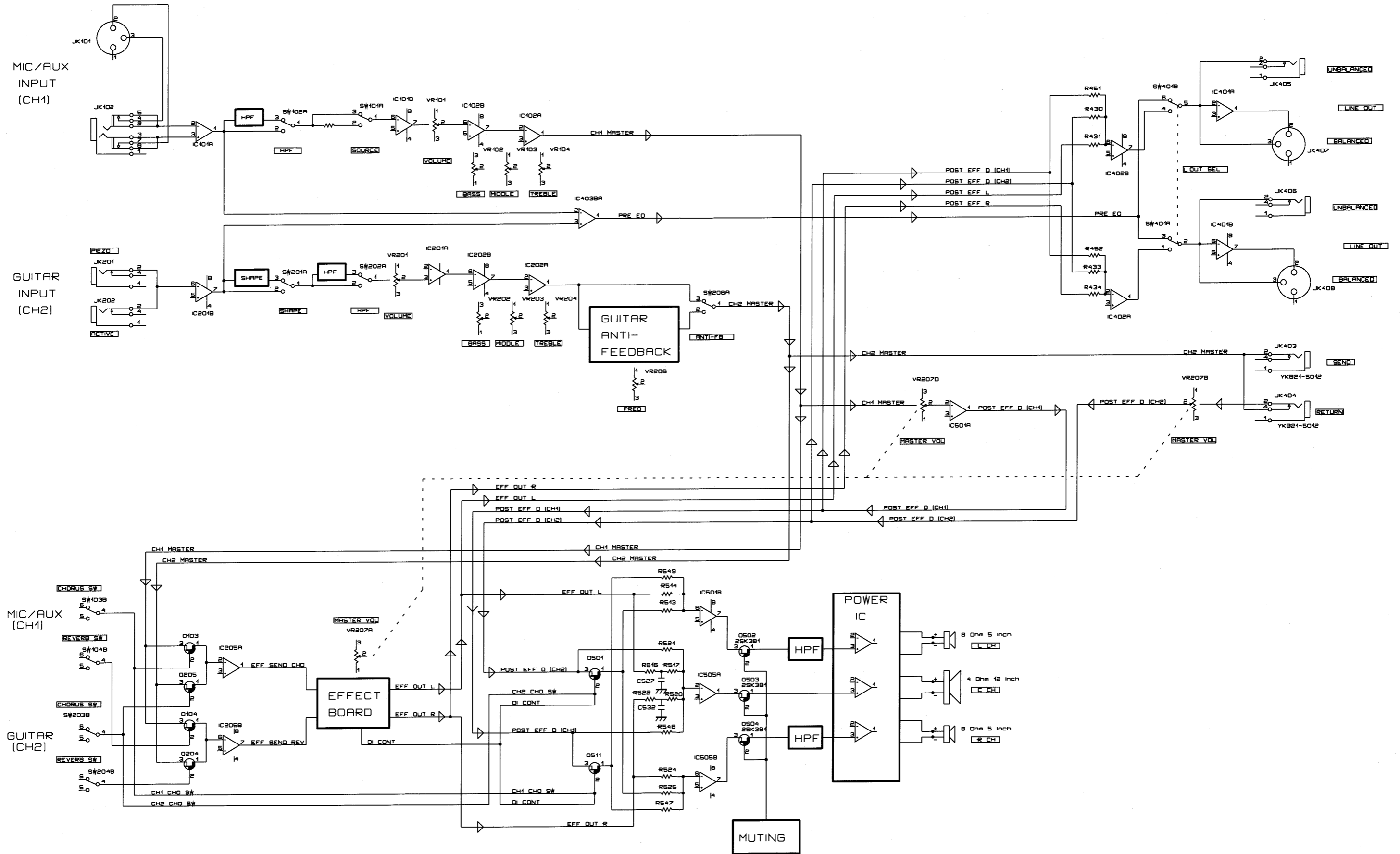
A
B
C
D
E
F
G
H
I
J
K
L
M
N
O
P
Q
R
S
T
U
V

BLOCK DIAGRAM



1 2 3 4 5 6 7 8 9 10 11 12 13 14 15 16 17 18 19 20 21 22 23 24 25 26 27 28 29 30 31 32 33 34 35 36 37 38 39 40

BLOCK DIAGRAM



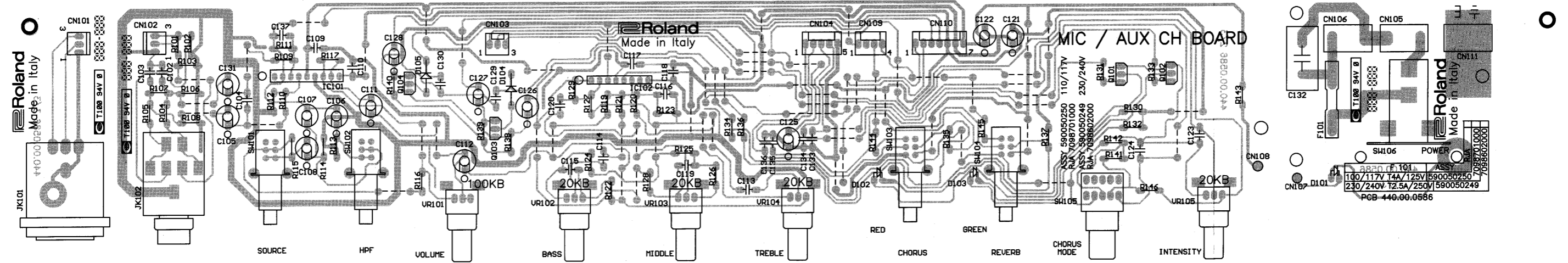
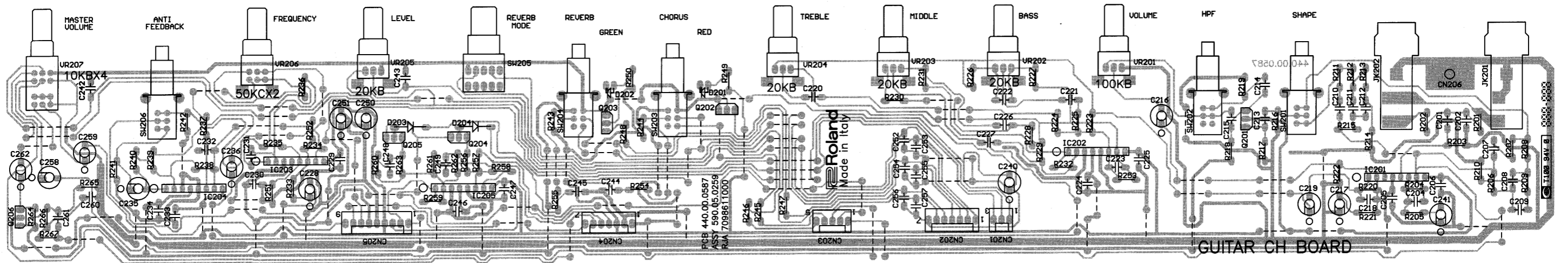
A
B
C
D
E
F
G
H
I
J
K
L
M
N
O
P
Q
R
S
T
U
V

1 2 3 4 5 6 7 8 9 10 11 12 13 14 15 16 17 18 19 20 21 22 23 24 25 26 27 28 29 30 31 32 33 34 35 36 37 38 39 40

A
B
C
D
E
F
G
H
I
J
K
L
M
N
O
P
Q
R
S
T
U
V

GUITAR CH PCB ASSY(or GUITAR CH BOARD) - MIC/AUX CH PCB ASSY(or MIC/AUX CH BOARD)

ASSY 7098611000



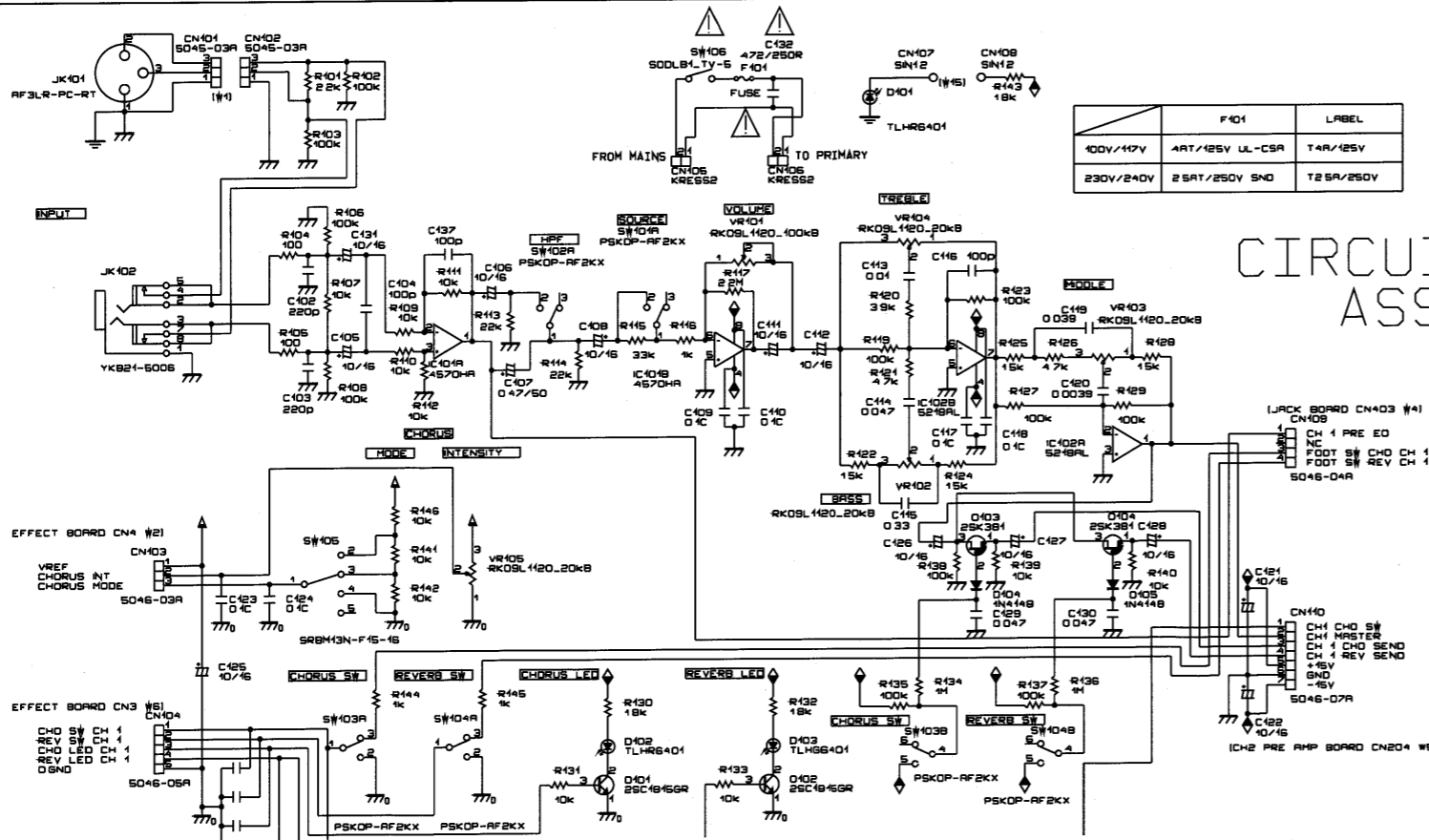
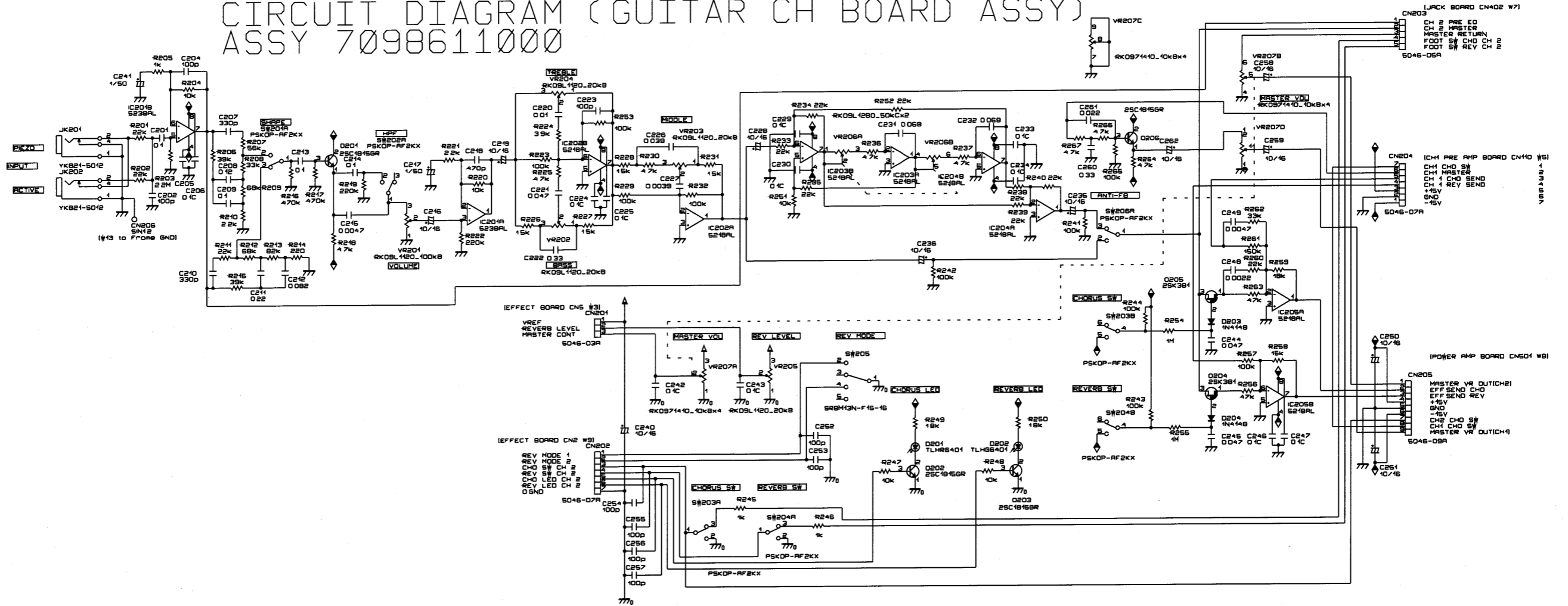
ASSY 7098701000 (100V/117V)

ASSY 7098602000 (230V/240V)

1 2 3 4 5 6 7 8 9 10 11 12 13 14 15 16 17 18 19 20 21 22 23 24 25 26 27 28 29 30 31 32 33 34 35 36 37 38 39

A
B
C
D
E
F
G
H
I
J
K
L
M
N
O
P
Q
R
S
T
U
V

CIRCUIT DIAGRAM (GUITAR CH BOARD ASSY) ASSY 7098611000



F401	LABEL
100V/10V	T4R/125V
230V/240V	T2SR/250V

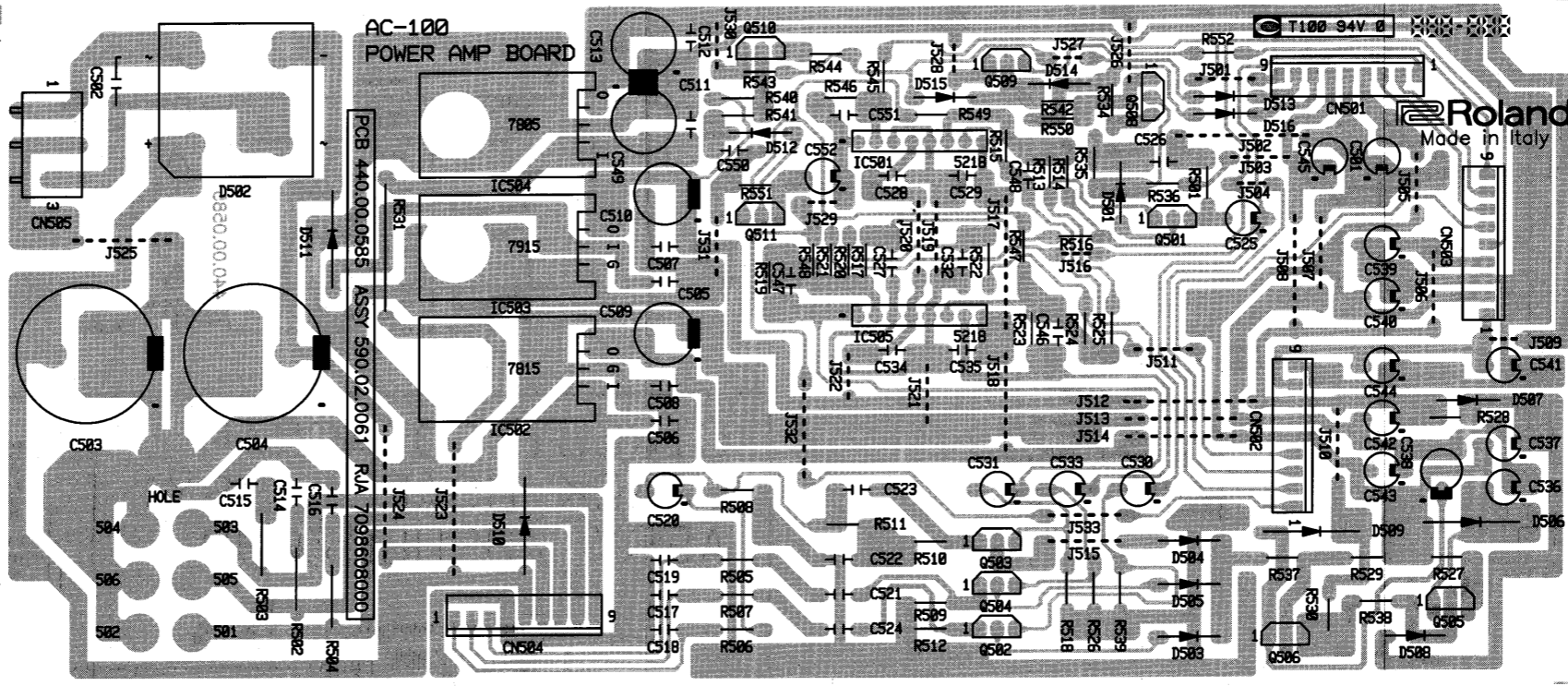
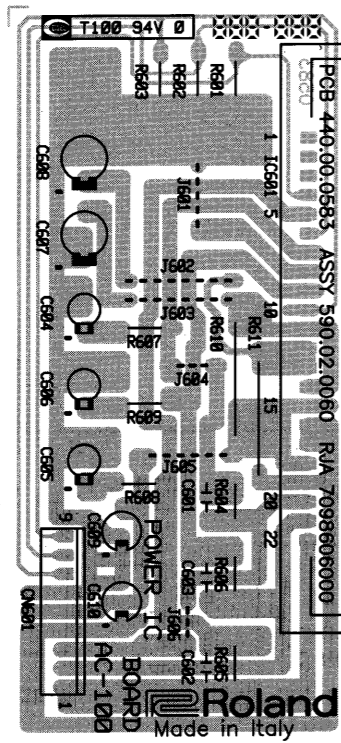
CIRCUIT DIAGRAM (MIC/AUX CH BOARD ASSY) ASSY 7098602000

1 2 3 4 5 6 7 8 9 10 11 12 13 14 15 16 17 18 19 20 21 22 23 24 25 26 27 28 29 30 31 32 33 34 35 36 37 38 39 40

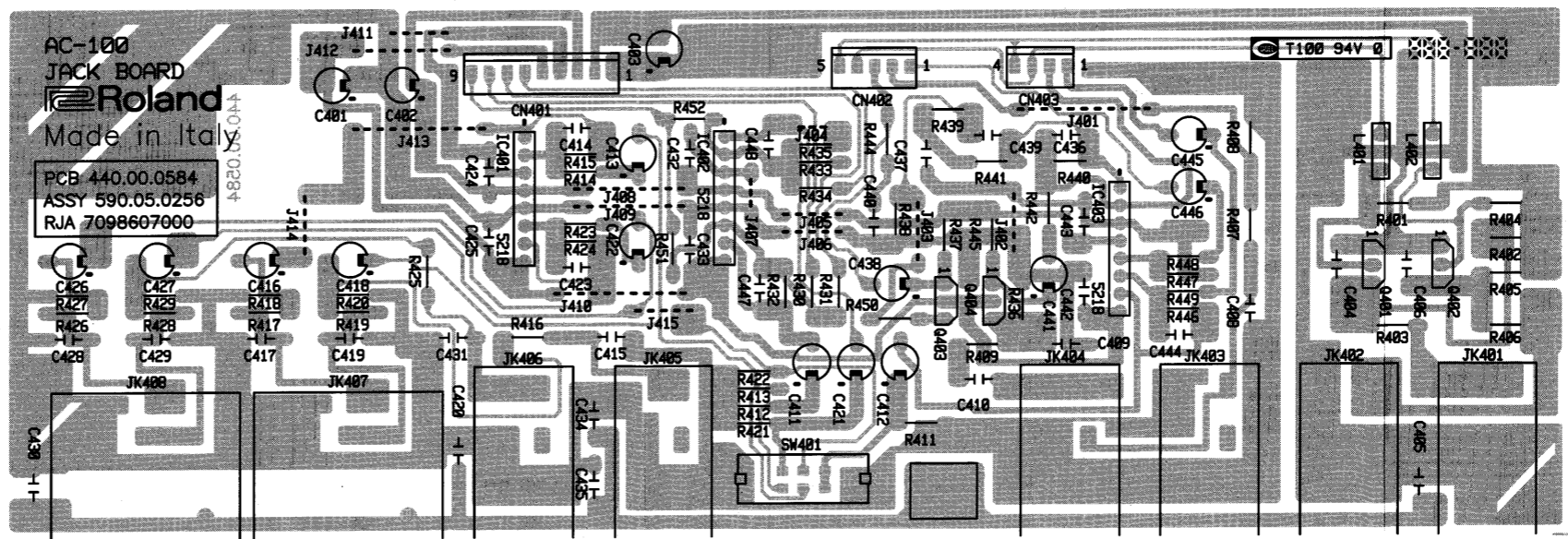
POWER IC PCB BOARD/JACK PCB BOARD/POWER AMP BOARD

ASSY 7098606000

ASSY 7098608000



ASSY 7098607000

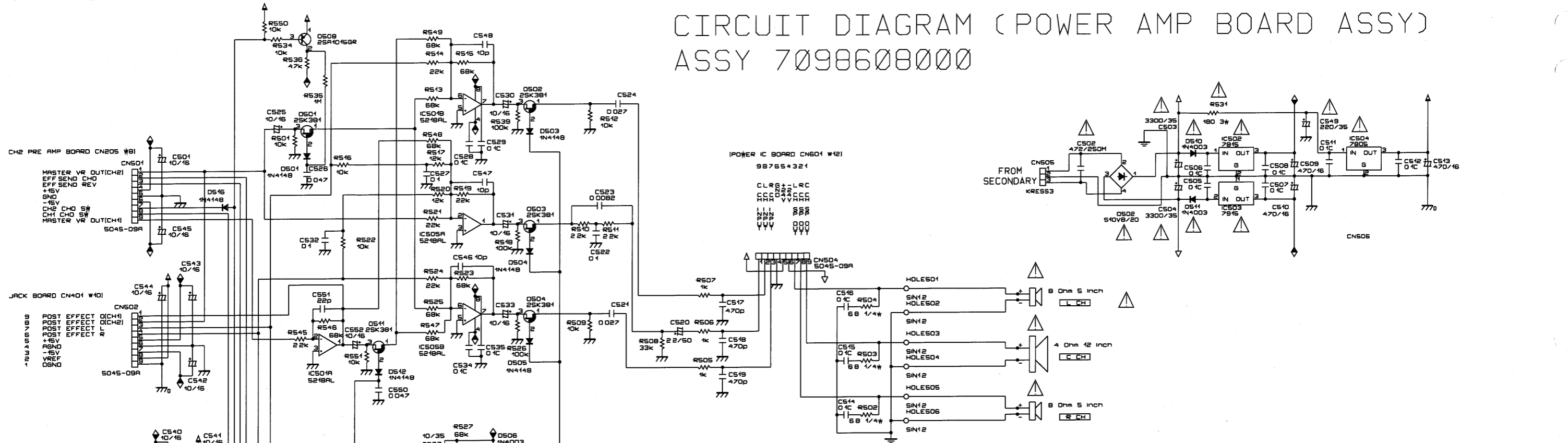


A
B
C
D
E
F
G
H
I
J
K
L
M
N
O
P
Q
R
S
T
U
V

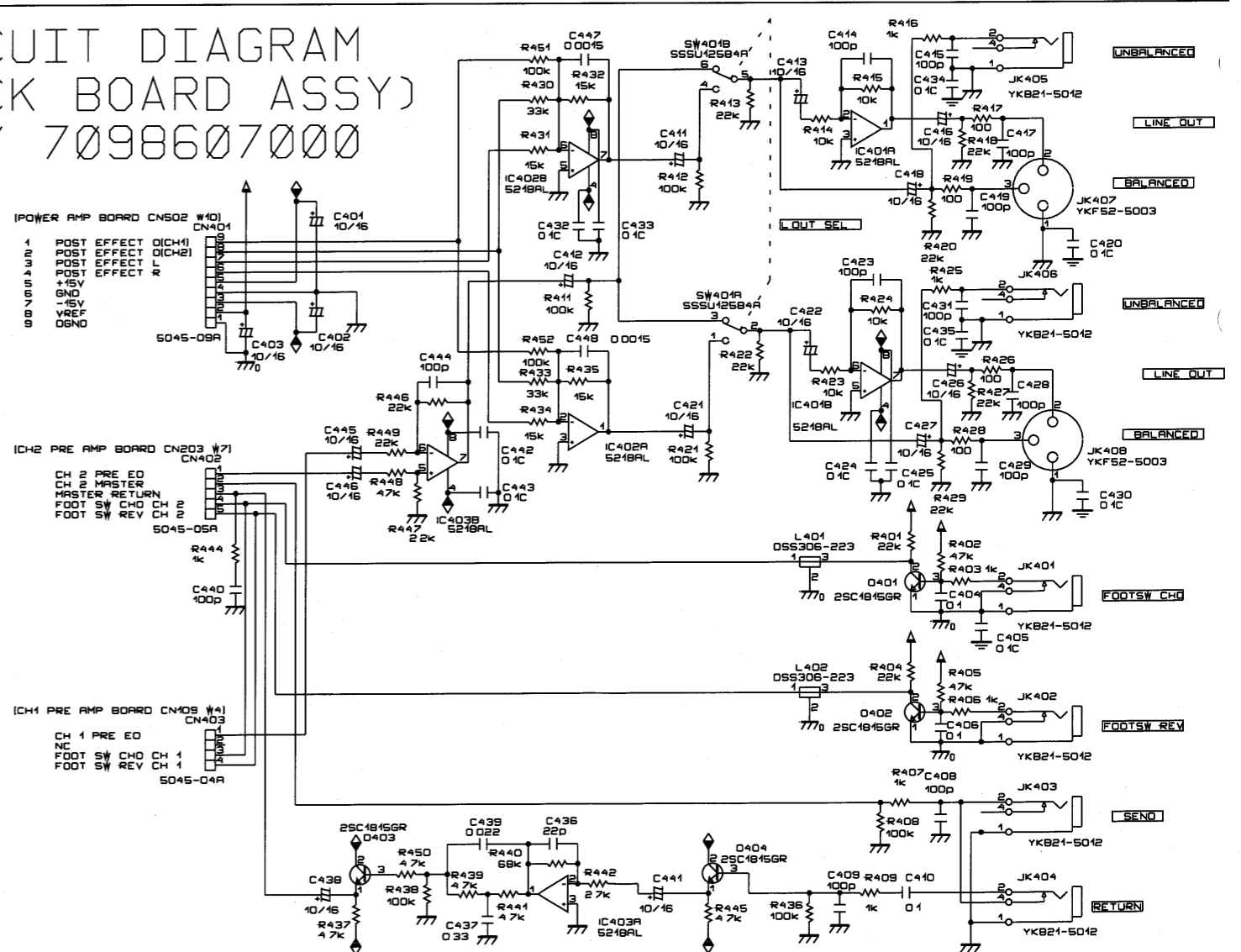
1 2 3 4 5 6 7 8 9 10 11 12 13 14 15 16 17 18 19 20 21 22 23 24 25 26 27 28 29 30 31 32 33 34 35 36 37 38 39 40

A
B
C
D
E
F
G
H
I
J
K
L
M
N
O
P
Q
R
S
T
U
V

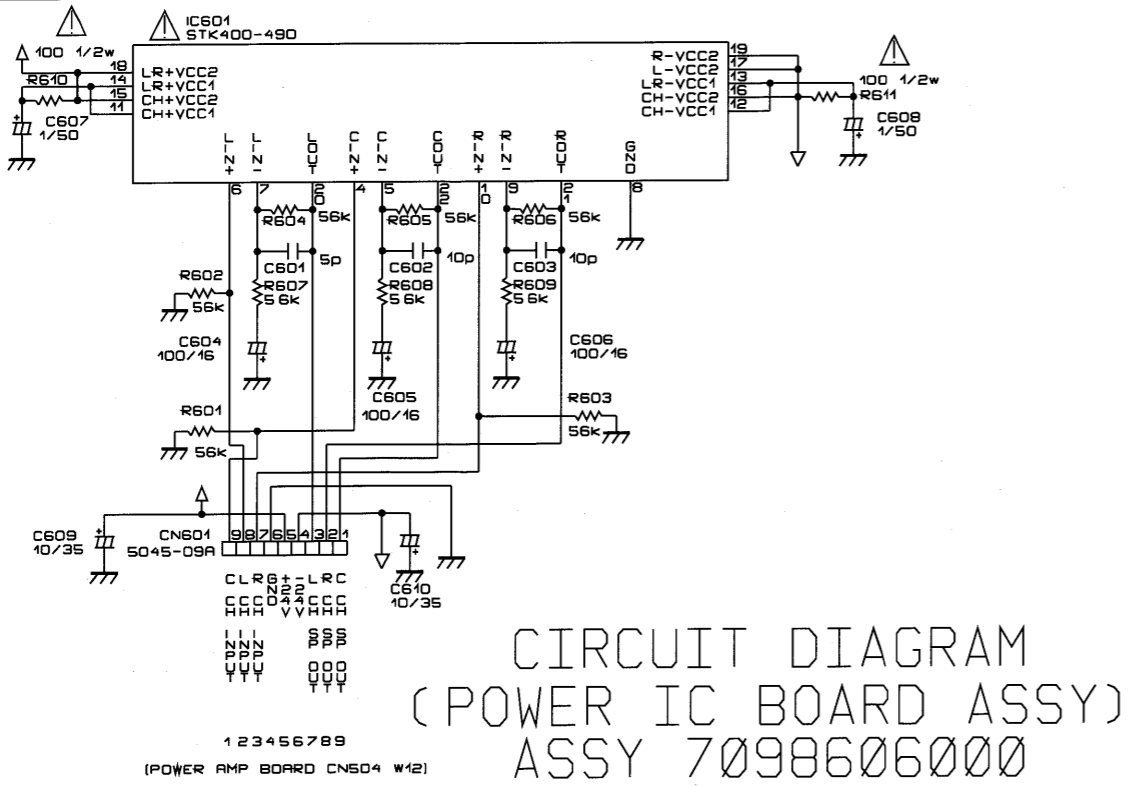
CIRCUIT DIAGRAM (POWER AMP BOARD ASSY) ASSY 7098608000



CIRCUIT DIAGRAM (JACK BOARD ASSY) ASSY 7098607000



CIRCUIT DIAGRAM (POWER IC BOARD ASSY) ASSY 7098606000



PARTS LIST / パーツリスト

<p>SAFETY PRECAUTION: The parts marked Δ have safety-related characteristics. Use only listed parts for replacement.</p> <p>安全上の注意: Δがついている部品は、安全上特別な規格でつくられたものです。 交換の際は、指定された部品番号以外の部品は使わないようして下さい。</p>	<p>CONSIDERATIONS ON PARTS ORDERING When ordering any parts list in the parts list, please specify the following items in the order sheet.</p> <table border="1"> <thead> <tr> <th>QTY</th> <th>PART NUMBER</th> <th>DESCRIPTION</th> <th>MODEL NUMBER</th> </tr> </thead> <tbody> <tr> <td>Ex. 10</td> <td>22575241</td> <td>Sharp key</td> <td>C-20/50</td> </tr> <tr> <td>15</td> <td>2247017300</td> <td>Knob(orange)</td> <td>DAC-15D</td> </tr> </tbody> </table> <p>Failure to completely fill the above items with correct number and description will result in delayed or even undelivered replacement.</p> <p>パーツ発注に関するお願い オーダーシートには、必ず下記の4項目は正確に記入して下さい。(例外は除く)</p> <table border="1"> <thead> <tr> <th>必要数</th> <th>パーツナンバー</th> <th>品名</th> <th>使用機種</th> </tr> </thead> <tbody> <tr> <td>例) 10</td> <td>22575241</td> <td>Sharp key</td> <td>C-20/50</td> </tr> <tr> <td>15</td> <td>2247017300</td> <td>Knob(orange)</td> <td>DAC-15D</td> </tr> </tbody> </table> <p>もし記入忘れ、誤記等がある場合、必要部品を発注できなかったり、大幅な遅れの原因になります。ご協力をお願いいたします。</p>	QTY	PART NUMBER	DESCRIPTION	MODEL NUMBER	Ex. 10	22575241	Sharp key	C-20/50	15	2247017300	Knob(orange)	DAC-15D	必要数	パーツナンバー	品名	使用機種	例) 10	22575241	Sharp key	C-20/50	15	2247017300	Knob(orange)	DAC-15D
QTY	PART NUMBER	DESCRIPTION	MODEL NUMBER																						
Ex. 10	22575241	Sharp key	C-20/50																						
15	2247017300	Knob(orange)	DAC-15D																						
必要数	パーツナンバー	品名	使用機種																						
例) 10	22575241	Sharp key	C-20/50																						
15	2247017300	Knob(orange)	DAC-15D																						

PR ==> PRE BOARD PW ==> POWER BOARD

Note :

Some parts used by the AC-100E and the AC-100U differ.

Remember to order the parts that match the model name when ordering repair parts.

(Parts with an AC-100E or AC-100U listed after the part name are custom parts for use only with the AC-100E or the AC-100U.)

注意

AC-100EとAC-100Uでは、使用される部品が一部異なります。

補修用部品を注文する際は、それぞれの製品に適合した部品を注文して下さい。

(部品名の後に for AC-100E もしくは for AC-100U と記述がある部品はそれぞれ、AC-100E、AC-100Uの専用部品です。)

CASING / ケース

7098613000	FINISHED CABINET ASSY for AC-100E #
17055046	CABINET ASSY for AC-100U #
K1148116	PVC REAR PANEL for AC-100E #
17055049	REAR BOARD for AC-100U #
K1148117	PVC FRONT PANEL for AC-100E #
K1148118	FRONT PANEL + CLOTH for AC-100E #
17055045	BAFFLE BOARD ASSY for AC-100U #
K2238110	LOGO BADGE "ROLAND" #
22310207	HANDLE H.40 + ESCUTCHEON
12359104	RUBBER FOOT MP-600 for AC-100E
17055038	RUBBER FOOT for AC-100U #
K2218103	ALUMINIUM PANEL #
40231967	"ROLAND" BADGE D.E.100 #
40231956	"ROLAND" BADGE D.E.70 #
17055035	CORNER COVER #

CHASSIS / シャーシ

7098614000	VARN.+SILKSCR. CHASSIS AC-100E/U #
J2369108	MAINS CBL HOLDER SR-5R1 # (230V,230VE,240VA,100V)
J2369110	MAINS CBL HOLDER SR-6P1 # (117V)
J2369109	FAIRLEAD RUBBER I/D 9.5 HG5
J2159109	SNAP LOCK CRLCBSRE8 #

KNOB, BUTTON / ノブ, ボタン

7098605000	KNOB WITH BRASS INSERT
00125612	CAPS FOR SWITCH (BLACK)
22495565	CAPS FOR MAINS SWITCH (BLACK)

SWITCH / スイッチ

Δ 13129160	SWITCH SDDLBI-TV5
13129405	SWITCH PSKOP-AF2KX 4A021
13119218	ROT. SWITCH SRBM13N-F15
13159178	2P SWITCH SSSU122-S09N-1

JACK, SOCKET / ジャック, ソケット

13449149	JACK SOCKET YKB21-5011
13449263	JACK SOCKET YKB21-5005
13429688	CANON SOCKET AF3LR-PC-RT
00122123	CANON SOCKET YKF52-5003 #

SPEAKER / スピーカー

K2418115	SPEAKER 12" AC100E # for AC-100E
17055047	SPEAKER G1204E02 # for AC-100U
K2418116	SPEAKER 5" AC100E # for AC-100E
17055048	SPEAKER G0508C03 # for AC-100U

PCB ASSY / 基板完成品

7098606000	POWER IC PCB ASSY # AC-100E/U
7098608000	POWER AMP PCB ASSY # AC-100E/U
7098607000	JACK PCB ASSY # AC-100E/U

7098602000	MIC/AUX CH PCB ASSY # (230V-230VE-240VA) for AC-100E
7098701000	MIX/AUX CH PCB ASSY # (100V-117V) for AC-100U
7098611000	GUITAR PCB ASSY AC-100E/U
7098601000	EFFECT PCB ASSY AC-100E/U

I C

00675789	I.C. M37470M2-308 SPT #
J5259108	I.C. M5M44256BJ-7 FLAT #
00346723	I.C. TC255SC080AU-104MR
15189188	I.C. M5238L STANDING
15189210	I.C. BA 5218F
15189250	I.C. M5218 AL STANDING
15189189	I.C. UPC 4570 HA
00346445	I.C. NJM2100M FLAT
00347189	I.C. M51951AML FLAT
00347156	I.C. UPD6379 GR DAC FLAT
00347145	I.C. LC8390M ADC FLAT
Δ J5199105	I.C. UA 7815-SFC 2815 #
Δ 15199197RI	I.C. UA 7805 SCNC
Δ J5199106	I.C. 7915 #
15199286	I.C. AN78L05M FLAT
Δ 00675801	I.C. STK400-490 #

TRANSISTOR / トランジスター

15129114	TRANSISTOR 2SC-1815GR
15119113	TRANSISTOR 2SA-1015 GR
15139138	TRANSISTOR 2SK-381 T11E FET
15309110	TRANSISTOR 2SA-1312 GR

DIODE / ダイオード

15019159RI	DIODE 1N-4148
J5029103	LED DIODE D.5 - RED -
J5029104	LED DIODE D.5 -GREEN-
Δ 15019109	DIODE 1N 4003
Δ 15039165	DIODE S10VB20L-15

RESISTOR / 抵抗

Δ J3809151	WIRE RESISTOR 180 OHM 3W 10% #
Δ J2559115	FUSE RESISTOR 100 OHM 05W #

POTENTIOMETER / ポリウム

13289233	ROT. POT. 20 KB 09L1120 #
13289217	ROT. POT. 100KB 09L1120
00675823	ROT. POT. 50KCX2 09L12
00782578	ROT. POT. 10K BX4 09714 #

CAPACITOR / コンデンサー

13639153RI	ELECTRL.COND.-V 470UF 16V
13639167RI	ELECTRL.COND.-V 22UF 25V
13639169RI	ELECTRL.COND.-V 47UF 25V
Δ J3629129	ELECTRL.COND. 220U 35V RAD #
Δ J3629130	ELECTRL.COND. 3300U 35V SP #
J3629131	ELECTRL.COND. 3.3U 50V RAD #
J3629121	ELECTRL.COND.-V 0.47U 50V
J3629132	ELECTRL.COND.100U 50V P5 #
J3629104	ELECTRL.CONDENSER 10U 50V P5
J3629118	ELECTRL.COND.-V 2.2UF 100V
J3629107	ELECTRL.COND. 1UF 100V P5
Δ 13529104RI	SPEC.COND. DE7150F472M
Δ 13529264	COND. ECKDAE472 2V 4700P

INDUCTOR, COIL, FILTER / インダクター, コイル, フィルター

12449358	NOISE SUP. FL5R200N PNT
13529176	NOISE SUP. DSS306-93 F223-Z16

CRYSTAL, RESONATOR / クリスタル, 水晶発振子

15299159	QUARTZ 4MHZ CST-4.00MGW
15299141	QUARTZ 24.576 MHZ MA-506

FUSE, FUSE HOLDER / ヒューズ, ヒューズホルダー

Δ J2559106	FUSE 5X20 T 2.5 A S UR (230V,230VE,240VA) for AC-100E
Δ J2559110	FUSE 5X20 T 4 A UL CSA (100V,117V) for AC-100U
12199597RI	FUSE HOLDER T.P1

CONNECTOR/コネクター

J3469143	1P CONN. AWG18 (10) - YELLOW
J3459102	FEM. TERMINAL 4089C CON. P.2.5
I3369688RI	4P MALE CONN. P 2.5 M
J3439106	9P MALE CONN. P 2.5
J3439109	5P MALE CONN. P 2.5 M
J3439113	7P MALE CONN. P 2.5 M
J3439142	3P MALE CONNECTOR P/2.5 M #

WIRING,CABLE/ワイヤリング、ケーブル

J3469152	AWG20-CBL (65) (BLUE)+ FASTON #
J3469153	AWG20-CBL (65) (GREEN)+ FASTON #
J3469154	AWG20-CBL (65) (BROWN)+FASTON #
J3469155	AWG20-CBL (65) (RED) + FASTON #
7626202000	4-CBL ASSY (28) W(4PC-4PC)
7695219000	5P CBL ASSY (22) W(5PC-5PC)
7098612000	3-CBL ASSY (10)
7696810000	7-CBL ASSY (12) W(7PC-7PC)
7316407000	9-CBL ASSY (20)
7695612000	9-CBL ASSY (12)

TRANSFORMER/トランス

△ K2458129	POWER TRANSFORMER #	(230V,230VE,240VA) for AC-100E
△ K2458132	POWER TRANSFORMER #	(100V) for AC-100U
△ K2458130	POWER TRANSFORMER #	(117V) for AC-100U

AC CORD (Installed) / ACコード (据え付け式)

△ J3439118	MAINS CBL VDE 3X0.75 - BLACK - (230V)	for AC-100E
△ I3499152RI	MAINS CBL GB 2X0.75 (230VE)	" AC-100E
△ J3439129	MAINS CBL 3X0.75 -BLACK- (240VA)	" AC-100E
△ I3439802WO	MAINS CBL VCTF 3X0.75 (100V) #	" AC-100U
△ J3439137	MAINS CBL UL/CSA 3X0.75 (117V) #	" AC-100U

SCREW/ネジ類

J2289101	SELF TAP.SCREW 2,9X 6 TC TC
J2289102	SELF TAP.SCREW 2,9X10 TC TC
J2289107	SELF LOCK.SCREW M3X6 TC TC H.6
J2289147	SELF LOCK.SCREW M3X12 TCTC
J2289132	PITCH SCREW M3X16 TC TC #
J2289166	SELF LOCK.SCREW M4X30 TCTC #
J2289167	SELF LOCK.SCREW M4X35 TCTC TFR 9.5
J2289163	SELF LOCK.SCREW M5X30 TCTC
J2289168	SELF LOCK.SCREW M4X20 TCTC TFR
J2289111	SELF LOCK.SCREW M3X4 TCTC H. 6
J2289155	SCREW 4X12 TC PR TFR HEAD 9
J2289185	SCREW M2.5X5 TC BRUN #
J2289113	NUT 3MA H.3
J2289144	SCREW NUT 4 MA THICK. 4
J2289169	NUT 4MA TH. 3 - TROP.
J2139107	FLAT WASHER I/D 5
22150756	JACK NUT
J2139102	TOOTHED WASHER I/D 3
J2139103	TOOTHED WASHER I/D 4
J2139108	TOOTHED WASHER I/D 5
17055050	#8-32 KEPS NUT #
17055051	SCREW M4x35 #
17055052	SCREW #8-32x11/2 PH PN BK #

MISCELLANEOUS/その他

I3439611RI	3P SCREW CLAMP P10
J3459104	3P SCREW CLAMP P.5
J3439140	SCREW CLAMP #
J3299101	TRIMMER CERMET 500 OHM 2.5X5OR #
I2199584	FIXING SUPPORT M1698
K2638155	POLYST. CORNER for packing
K2638156	POLYST. CORNER for packing
K2678102	POLYETH. ENVELOPE 25X45 for packing
K2618150	OUTER PACKING AC-100E # for packing

ACCESSORIES (Standard) / 標準付属品

K6018182	OWNER'S MANUAL AC-100E/U (ENGLISH) #
00678989	OWNER'S MANUAL AC-100E/U (JAPANESE) #

Adjusting the Effect Board

When replacing the effect board, always adjust the trimmer potentiometer on the effect board, before reassembling the chassis back into the cabinet.

Adjustment Procedure

1. Connect a speaker (5 inch) to each of the L and R speaker terminals.
2. Press the CHORUS button to set the chorus to ON. (MIC/AUX.GUITAR either channel is okay)
3. Adjust the trimmer potentiometer (VR1) so that no buzzing or humming noise is heard while the master volume is being quickly turned.
4. When you make the adjustment of step 3 (above) a new, slight high-pitched noise may be heard. Adjust the trimmer potentiometer (VR1) again so that this noise is not so noticeable.
5. Once again quickly rotate the master volume and check that no obvious buzzing sound occurs. (Adjust to a position where both the high pitched noise in step 4 (above) and the buzzing noise of step 3 are least noticeable.)

エフェクトボードの調整方法

エフェクトボードを交換した場合は、シャーシをキャビネットに組み付ける前に、必ずエフェクトボード上の半固定抵抗の調整を行って下さい。

調整手順

1. スピーカ端子L, Rをそれぞれスピーカー (5インチ) に接続します。
2. CHORUSボタンを押して、コーラスをONにして下さい。
(MIC/AUX.GUITARのどちらのチャンネルでもよい。)
3. マスターボリュームをすばやく回した際にスピーカーから出るザザツというノイズが聞こえなくなるよう、半固定抵抗 (VR1) を調整して下さい。
4. 3の調整を行うと、新たに別のピーという発信音のような微かなノイズが発生します。その音が目立たなくなるよう、再び半固定抵抗 (VR1) を少し回して調整して下さい。
5. 再度マスターボリュームをすばやく回し、ザザツというノイズが目立たないことを確認します。(4のピーというノイズと、このザザツというノイズ両方が最も聞こえにくい状態になるよう調整を行って下さい。)