

# CUBE-100

## BASS

# SERVICE NOTES

*Issued by RJA*

## TABLE OF CONTENTS

CAUTIONARY NOTES .....	2
SPECIFICATIONS.....	2
LOCATION OF CONTROLS .....	3
LOCATION OF CONTROLS PARTS LIST .....	3
EXPLODED VIEW (CABINET).....	4
EXPLODED VIEW PARTS LIST (CABINET) .....	5
EXPLODED VIEW (CHASSIS).....	6
EXPLODED VIEW PARTS LIST (CHASSIS).....	7
PARTS LIST.....	8
CHECKING THE VERSION NUMBER.....	12
TEST MODE.....	12
BLOCK DIAGRAM.....	14
CIRCUIT BOARD (MAIN BOARD 1).....	16
CIRCUIT BOARD (MAIN BOARD 2).....	17
CIRCUIT BOARD (PANEL BOARD).....	18
CIRCUIT DIAGRAM(MAIN 1 & IN & PHO).....	20
CIRCUIT DIAGRAM(MAIN 2 & PANEL).....	22
CIRCUIT DIAGRAM(AMP).....	24
CIRCUIT DIAGRAM(MAIN 3 & PS1).....	26

### Revise Information

2006/07/25

Revised a few miscopies in **EXPLODED VIEW PARTS LIST (CABINET)** (p. 5)

2006/12/01

Revised a few miscopies in **EXPLODED VIEW PARTS LIST (CABINET)** (p. 5) and **PARTS LIST** (p. 11).



**Copyright © 2004 ROLAND CORPORATION**

All rights reserved. No part of this publication may be reproduced in any form without the written permission of ROLAND CORPORATION.

## CAUTIONARY NOTES

---

### PARTS LIST

Due to one or more of the following reasons, parts with parts code \*\*\*\*\* cannot be supplied as service parts.

- Part supplied only as a component in a complete assembly
- Copyright does not permit the part to be supplied
- Part is sold commercially

## SPECIFICATIONS

---

### Rated Power Output

100 W

### Nominal Input Level (1kHz)

INPUT: -10 dBu/1M OHM

\* 0 dBu = 0.775 Vrms

### Speaker

30 cm (12 inches) + Tweeter (Coaxial, 2-way)

### Controls

POWER Switch

<INPUT>

PAD Switch

<COMPRESSION>

COMPRESSION Knob

<COSM AMPLIFIER>

SHAPE Switch, TYPE Knob (SUPER FLAT, FLIP TOP, B MAN, T.E, BASS 360,

SESSION, CONCERT 810, OCTAVE BASS), GAIN Knob, VOLUME Knob

<EQUALIZER>

BASS Knob, LOW-MID Knob, HIGH-MID Knob, TREBLE Knob

<EFX>

EFX Knob (CHORUS, FLANGER, T-WAH)

<DELAY/REVERB>

DELAY/REVERB Knob

<BALANCED OUT>

SELECT Switch (DI OUT/LINE OUT),GND LIFT Switch (ON/OFF)

### Indicators

Power, PEAK, COMPRESSION, SHAPE, EFX, DELAY/REVERB

### Connectors

INPUT Jack (1/4" phone type)

RECORDING OUT/PHONES Jack (Stereo 1/4" phone type)

FOOT SW Jack (EFX, DELAY/REVERB) (1/4" phone type)

EXT SPEAKER Jack (1/4" phone type)

LINE OUT Jack (1/4" phone type)

TUNER OUT Jack (1/4" phone type)

BALANCED OUT Jack (XLR type)

### Power Supply

AC 117 V, AC 230 V or AC 240 V

### Power Consumption

28 W

### Dimension

407 (W) x 310 (D) x 469 (H) mm

16-1/16 (W) x 12-1/4 (D) x 18-1/2 (H) inches

### Weights

17 kg / 37 lbs 8 oz

### Accessories

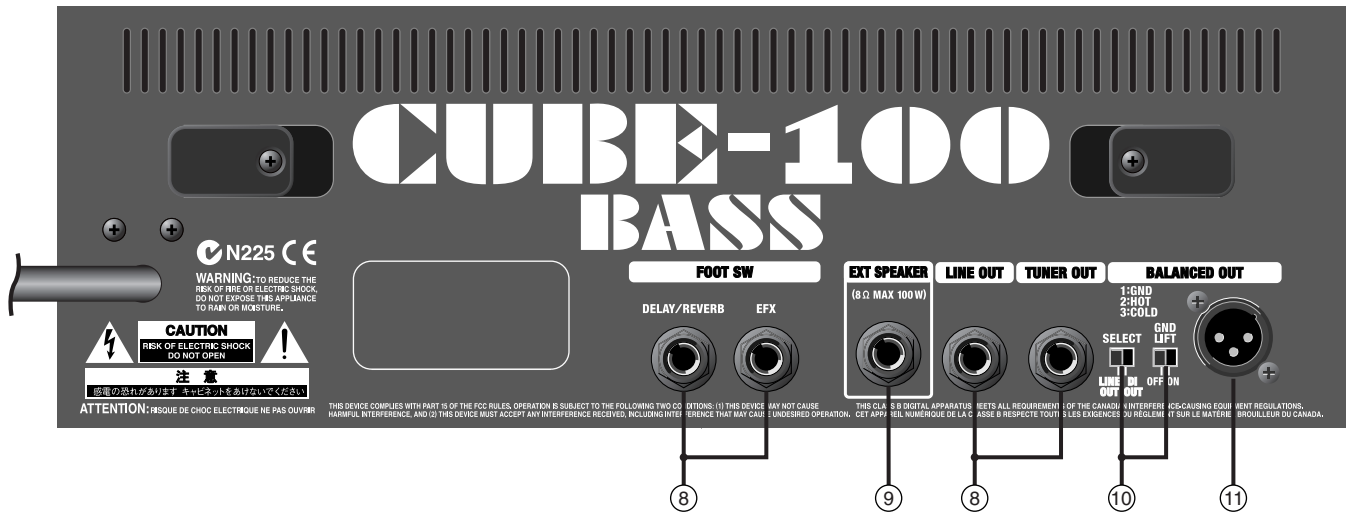
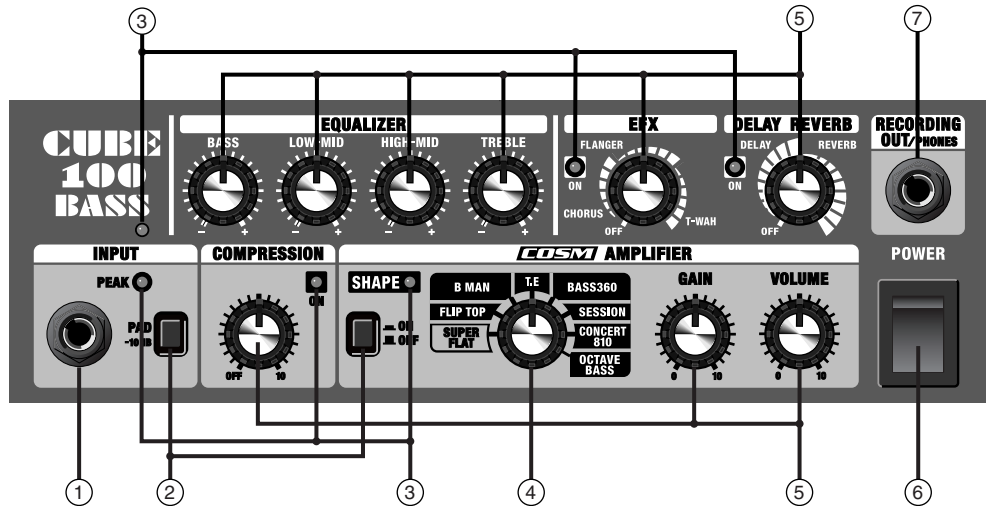
Owner's Manual ENGLISH(#SD000521),  
JAPANESE(#SD000520)

### Option

Foot switch FS-5U (BOSS)

\* *In the interest of product improvement, the specifications and/or appearance of this unit are subject to change without prior notice.*

# LOCATION OF CONTROLS

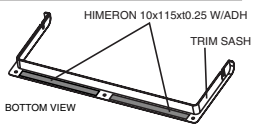


# LOCATION OF CONTROLS PARTS LIST

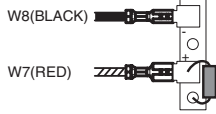
No	PART CODE	CATEGORY	PART NAME	DESCRIPTION	Q'TY
1	13449146	JACK,EXT TERMINAL	6.5MM JACK	YKB21-5012 (W/SW)	1
	22150756	SCREWS	JACK NUT 2		1
2	SD000099	SWITCH	PUSH SWITCH	ESB64619	2
	SD000082	KNOB,BUTTON	PUSH BUTTON		2
3	SD000045	DIODE	LED RED	L-34HDSL	6
4	SD000488	SWITCH	ROTARY SWITCH	SR1712-0108-15F0A-N9-N	1
	17048631	SCREWS	VR ACCESSORY WASHER M9		1
	17048630	SCREWS	VR ACCESSORY NUT M9		1
	SD000043	KNOB,BUTTON	KNOB		1
	SD000483	MISCELLANEOUS	SW KNOB HIMERON	87-YP5-228-01M	1
5	SD000487	POTENTIOMETER	ROTARY POTENTIOMETER	RK09L1140C1T 10KB	9
	17048631	SCREWS	VR ACCESSORY WASHER M9		9
	17048630	SCREWS	VR ACCESSORY NUT M9		9
	SD000043	KNOB,BUTTON	KNOB		9
6	03782367	SWITCH	SEESAW SWITCH	JW-L11RKK	1
	03782323	MISCELLANEOUS	SW HOLDER	AT-218K	1
7	13449252	JACK,EXT TERMINAL	6.5MM JACK	YKB21-5006 (STEREO W/SW)	1
	22150756	SCREWS	JACK NUT 2		1
8	13449145	JACK,EXT TERMINAL	6.5MM JACK	YKB21-5010	4
	22150756	SCREWS	JACK NUT 2		4
9	SD000175	JACK,EXT TERMINAL	JACK	S2 BBB PC-P KINKED	1
	SD000485	SCREWS	JACK WASHER	S2 BNB	1
	SD000484	SCREWS	JACK NUT	S2 BNB	1
10	03567001	SWITCH	SLIDE SWITCH	SSAB110100	2
11	00122123	JACK,EXT TERMINAL	XLR CONNECTOR	YKF52-5003	1

# EXPLODED VIEW (CABINET)

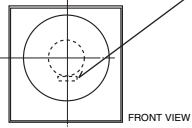
### ATTACHING OF HIMERON 10x115x0.25 W/ADH on TRIM SASH



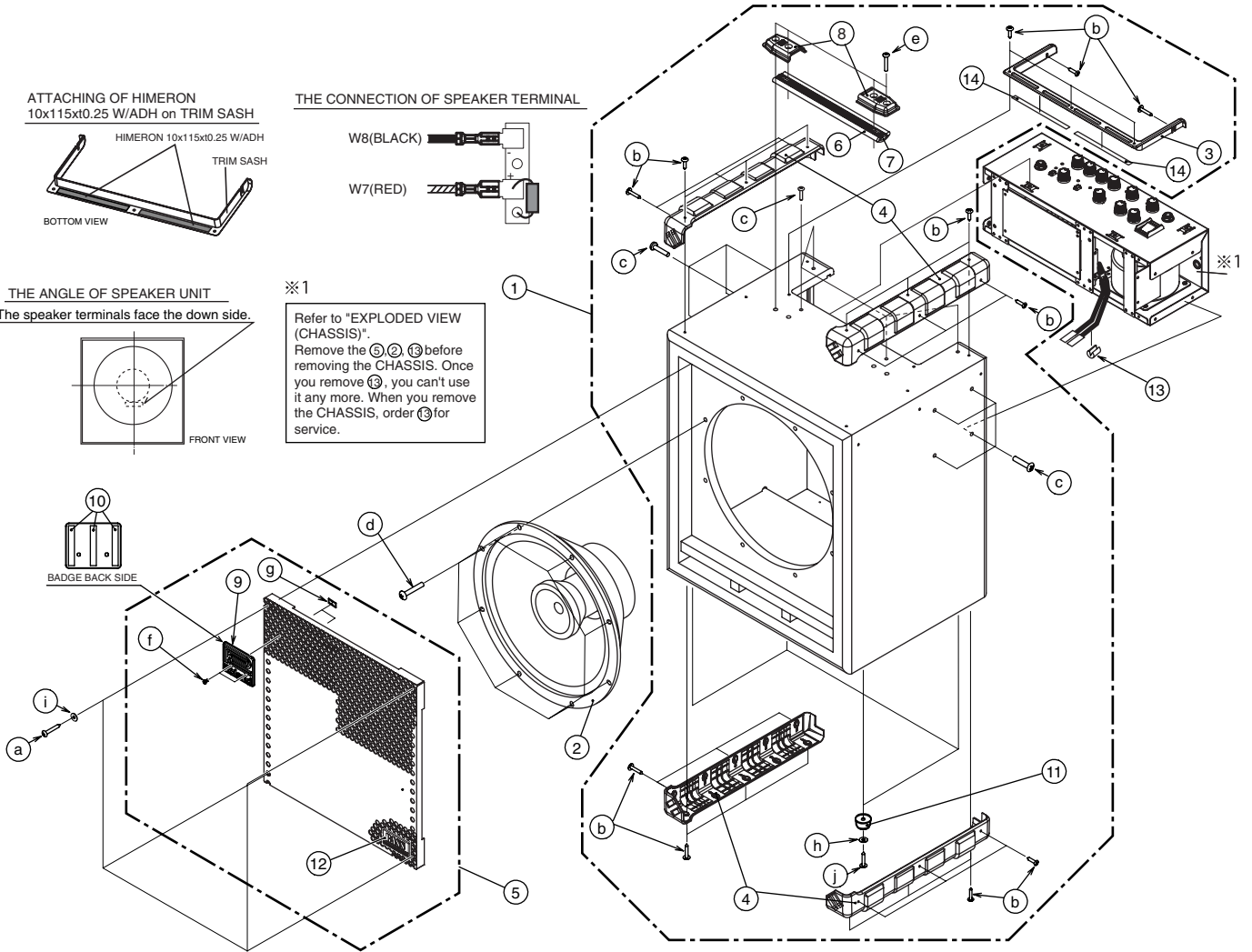
### THE CONNECTION OF SPEAKER TERMINAL



### THE ANGLE OF SPEAKER UNIT The speaker terminals face the down side.



※1  
Refer to "EXPLODED VIEW (CHASSIS)".  
Remove the ③, ②, ⑬ before removing the CHASSIS. Once you remove ③, you can't use it any more. When you remove the CHASSIS, order ③ for service.



## EXPLODED VIEW PARTS LIST (CABINET)

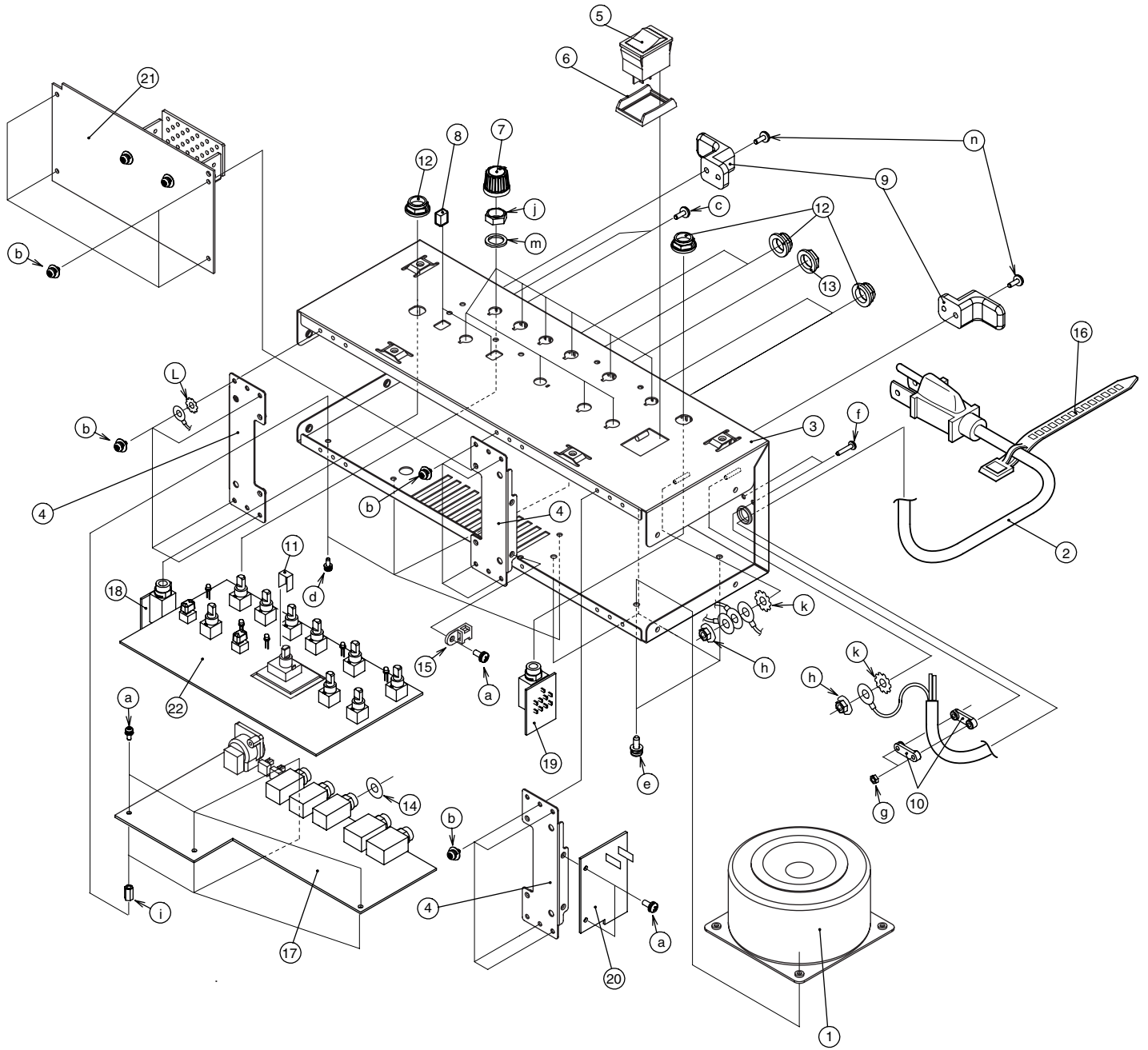
### [Parts]

No	PART CODE	PART NAME	DESCRIPTION	Q'TY
1	SD000160	CABINET ASSY		1
2	SD000181	SPEAKER 12INCH (8OHM)	SPK-BG413	1
3	SD000066	TRIM SASH		1
4	SD000162	CORNER PROTECTOR		4
5	SD000167	GRILL ASSY		1
6	<del>SD000463</del> SD000461	HANDLE RUBBER		1
7	SD000462	HANDLE PLATE		1
8	<del>SD000464</del> SD000463	HANDLE HOLDER		2
9	SD000017	BADGE	LOGO (Roland)	1
10	SD000464	HIMERON	W/ADH 6 X 50 X 0.5T	3
11	SD000078	RUBBER FOOT	23X15T(75)	4
12	SD000231	BASS BADGE	W/HOT STAMP	1
13	SD000265	RUBBER SPONGE BUSH	12X20H CUT	1
14	SD000169	HIMERON	W/ADH 10 X 115 X 0.25T	2

### [Screws]

No	PART CODE	PART NAME	DESCRIPTION	Q'TY
a	40010701	SCREW 4X35	TRUSS TAPTITE A1 BZC	4
b	SD000432	SCREW 3X16	TRUSS TAPTITE A1 BZC	29
c	<del>40010145</del> 40010545	SCREW M4X25	<del>ORIGINAL-TRASS-MACHINE-SCREW-BZC</del> TRUSS HEAD SPECIAL FE BZC	12
d	SD000019	SCREW M4X25	BINDING MACHINE SCREW BZC	8
e	SD000048	SCREW M5X35	OVALHEAD MACHINE BZC	4
f	40230778	SCREW M3X8	OVALHEAD MACHINE BZC	2
g	40011689	SPEED NUT M3	FSN-3001	2
h	SD000370	PLATE WASHER	4.2 X 10 X 0.5T	4
i	SD000430	RESIN WASHER	11 X 4.1 X 1T	4
j	SD000068	SCREW 4X25	TRUSS TAPTITE A1 BZC	4

# EXPLODED VIEW (CHASSIS)



## EXPLODED VIEW PARTS LIST (CHASSIS)

### [Parts]

No	PART CODE	PART NAME	DESCRIPTION	Q'TY
1	SD000184	TRANSFORMER 110V/117V	PT-BG413 100V/117V	1
	SD000185	TRANSFORMER 230V/240V	PT-BG413 230V/240V	1
2	SD000177	AC CORD 100V	SP-18A WITH TERMINAL	1
	SD000178	AC CORD 117V	SP-301 WITH TERMINAL	1
	SD000176	AC CORD 230V	SP-023 WITH TERMINAL	1
	SD000180	AC CORD 230VE	SP-60 WITH TERMINAL	1
	SD000179	AC CORD 240V	SP-502B WITH TERMINAL	1
3	SD000161	CHASSIS		1
4	SD000182	STAY		3
5	03782367	SEESAW SW	JW-L11RKK	1
6	03782323	SW HOLDER	AT-218K	1
7	SD000043	R-KNOB		10
8	SD000082	PUSH BUTTON		2
9	22360705	CORD HOOK		2
10	12369410RT	AC CORD HOLDER	1702B	2
11	SD000483	SW KNOB HIMERON	87-YP5-228-01M	1
12	22150756	JACK NUT 2	PLASTIC/BLK	6
13	SD000484	JACK NUT	S2 BNB	1
14	SD000485	JACK WASHER	S2 BNB	1
15	SD000153	CABLE CLAMP	412-PGYL-3	1
16	02566301	AC CORD BAND	RSB-07180	1
17	SD000514	MAIN PCB ASSY	(MAIN BOARD)	1
18	SD000514	MAIN PCB ASSY	(IN BOARD)	1
19	SD000514	MAIN PCB ASSY	(PHO BOARD)	1
20	SD000514	MAIN PCB ASSY	(PS BOARD)	1
21	SD000514	MAIN PCB ASSY	(AMP BOARD)	1
22	SD000519	PANEL PCB ASSY		1

### [Screws]

No	PART CODE	PART NAME	DESCRIPTION	Q'TY
a	40011423	SCREW M3X6	PAN MACHINE W/SW ZC	7
b	40012867	SCREW M3X8	PAN MACHINE W/SW+PW ZC	16
c	40011312	SCREW 3X8	BINDING TAPTITE P BZC	2
d	40237101	SCREW M3X8	PAN MACHINE W/SW+PW FE BZC	4
e	40013012	SCREW M4X10	PAN MACHINE W/SW+PW FE BZC	4
f	40010301	SCREW M3X20	BINDING MACHINE BZC	2
g	40011756	FLANGE HEX NUT M3	FE ZC	2
h	40011767	FLANGE HEX NUT M4	FE ZC	2
I	22150501	STAND OFF	M3 L10C	4
j	17048630	VR ACCESSORY NUT M9		10
k	40011889	EXTERNAL TOOTH WASHER M4	FECM	2
L	40011878	EXTERNAL TOOTH WASHER M3	FECM	1
m	17048631	VR ACCESSORY WASHER M9		10
n	SD000103	SCREW M4X25	PAN PACHINE W/SW BZC	2

# PARTS LIST

**SAFETY PRECAUTIONS:**  
The parts marked  $\Delta$  have safety-related characteristics. Use only listed parts for replacement.

Due to one or more of the following reasons, parts with parts code \*\*\*\*\* cannot be supplied as service parts.

- Part supplied only as a component in a complete assembly
- Copyright does not permit the part to be supplied
- Part is sold commercially

NOTE: The parts marked # are new. (initial parts) The description "Q'TY" means a necessary number of the parts per one product.

on P= PANEL PCB, on M= MAIN BOARD.

## CASING

#	SD000160	CABINET ASSY			1
		NOTE: Spare parts for CABINET ASSY includes the following parts.			
#	SD000162	CORNER PROTECTOR			4
	SD000463	HANDLE HOLDER			2
	SD000462	HANDLE PLATE			1
	SD000461	HANDLE RUBBER			1
	SD000078	RUBBER FOOT	23X15T(75)		4
	SD000066	TRIM			1
#	SD000167	GRILL ASSY			1
		NOTE: Spare parts for GRILL ASSY includes the following parts.			
	SD000231	BASS BADGE	W/HOT STAMP		1
	SD000017	BADGE	LOGO (Roland)		1

## CHASSIS

#	SD000161	CHASSIS			1
	22360705	CORD HOOK			2
#	SD000182	STAY			3

## KNOB,BUTTON

	SD000043	R-KNOB			10
	SD000082	PUSH BUTTON			2

## SWITCH

	03567001	SLIDE SWITCH	SSAB110100	SSW1,SSW2 on M	2
	SD000488	ROTARY SWITCH	SR1712-0108-15F0A-N9-N	RSW on P	1
#	$\Delta$ 03782367	SEESAW SWITCH	JW-L11RKK	POWER SWITCH	1
	SD000099	PUSH SWITCH	ESB64619	PSW1,PSW2 on P	2

## JACK,EXT TERMINAL

	00122123	XLR CONNECTER	YKF52-5003	JK3 on M	1
	13449146	6.5MM JACK	YKB21-5012 (W/SW)	JK1 on M	1
	13449145	6.5MM JACK	YKB21-5010	JK4,JK5,JK7,JK8 on M	4
	13449252	6.5MM JACK	YKB21-5006 (STEREO W/SW)	JK2 on M	1
#	$\Delta$ SD000175	JACK	S2 BBB PC-C KINKED	JK10 on M	1

## SPEAKER,BUZZER

#	$\Delta$ SD000181	SPEAKER 12INCH (8OHM)	SPK-BG413		1
---	-------------------	-----------------------	-----------	--	---

## PWB ASSY

#	SD000519	PANEL PCB ASSY			1
#	SD000514	MAIN PCB ASSY			1
		NOTE: Spare parts for MAIN PCB ASSY includes the following parts.			
	*****	PS-1 BOARD			1
	*****	IN BOARD			1
	*****	AMP BOARD			1
	*****	PHO BOARD			1

## IC

	03890123	UPD780034AGK-B23-9ET	IC (CPU)	IC1 on M	1
	$\Delta$ SD000493	NJM78M12DLA	IC (V RGL)	IC15 on M	1
	$\Delta$ SD000494	NJM79M12DLA	IC (V RGL)	IC16 on M	1
	03015923	S-80130ANMC	IC (RESET)	IC3 on M	1
	$\Delta$ 03015912	REGULATOR UPC2905T-T2	IC (REGULATOR)	IC9 on M	1
	$\Delta$ 01678512	UPC2933T-T2	IC (REGULATOR)	IC9 on M	1
#	$\Delta$ SD000183	TA2022	IC (POWER AMP)	IC203 on M	1



IC					
	15289154	UPC4072G2-E1	IC (JFET OP)	IC10 on M	1
	02565501	TC220CCA0AF-B01	IC (DSP)	IC2 on M	1
#	03676990	AK4386VTP-E2	IC (DA)	IC5 on M	1
	15169596	TC74HC4051AP	IC (CMOS)	IC7 on P	1
	00346445	NJM2100M(TE3)	IC (BIPOLAR OP AMP)	IC12 on M	1
	01125012	NJM4556AM	IC (BIPOLAR OP AMP)	IC17 on M	1
	15289105	UPC4570G2-E2	IC (BIPOLAR OP AMP)	IC11,IC13,IC14,IC202 on M	4
	02451434	AK4552VT	IC (AD/DA)	IC4 on M	1
	02678945	BU2090	IC	IC8 on P	1
TRANSISTOR					
	15119144	2SA1048-GR(TPE4)	TRANSISTOR	Q5 on M	1
	15309104	2SA1586-GR(TE85R)	TRANSISTOR	Q23,Q26,Q395-398 on M	6
	15129179	2SC2458-GR(TPE4)	TRANSISTOR	Q6 on M	1
	15319107	2SC4116-GR(TE85R)	TRANSISTOR	Q19,Q20,Q24,Q25,Q27,Q303,Q399,Q400 on M	8
#	SD000152	2SD2525	TRANSISTOR	Q394 on M	1
	15329536	RN1442-A(TE85L)	TRANSISTOR	Q12-17 on M	6
#	SD000187	UN2111	TRANSISTOR	Q392,Q393 on M	2
#	SD000188	UN2211	TRANSISTOR	Q391 on M	1
	15329103T0	2SK880-GR(TE85R)	FET	Q4,Q21,Q22 on M	3
DIODE					
#	03566056	UDZS TE-17 4.3B	ZENER DIODE	D411,D412 on M	2
#	SD000186	UDZS16B	ZENER DIODE	D12-15,D410 on M	5
	15339119T0	1SS352(TPH3)	SWITCHING DIODE	D406 on M	1
	01019534	1SS355 TE-17	SWITCHING DIODE	D2,D10,D11,D201,D204,D394,D395,D403,D407-409 on M	12
	SD000045	L-34HDSL	LED RED	LED1-6 on P	6
	02457445	1SS367	DIODE	D8,D9 on M	2
#	SD000164	EC10QS04	DIODE	D295 on M	1
#	SD000165	EC11FS2	DIODE	D211,DD401,D402,D405 on M	4
	△ F5039116	FL402 BRIDGE	DIODE	BD1 on M	1
	△ SD000120	AM152	BRIDGE DIODE	BD2 on M	1
	15339120T0	1SS302(TE85R)	ARRAY DIODE	DA1,DA2,DA4-8 on M	7
RESISTOR					
	00344278	EXBV8V102JV	RESISTOR ARRAY	RA4,RA3 on M	2
	15409113	EXBV8V103JV	RESISTOR ARRAY	RA1,RA2 on M	2
#	03348589	MCR18 EZH J 3R3	MTL.FILM RESISTOR	R425,R427 on M	2
#	△ SD000143	100 OHM 2W	METAL OXIDE RESISTOR	R420 on M	1
#	SD000155	6.8 OHM 2W	METAL OXIDE RESISTOR	R301,R303 on M	2
#	△ SD000158	82 OHM 2W	METAL OXIDE RESISTOR	R141 on M	1
	15399926	MCR50-101J	CHIP RESISTOR	R33,R22 on M	2
#	△ SD000145	10K OHM 1/4W	CHIP RESISTOR	R139,R140 on M	2
#	△ SD000148	1M OHM 1/2W	CHIP RESISTOR	R438 on M	1
#	SD000149	220 OHM 1/2W	CHIP RESISTOR	R21,R32 on M	2
#	SD000154	560 OHM 1/4W	CHIP RESISTOR	R38,R69 on M	2
#	SD000156	6.8K OHM 1/4W	CHIP RESISTOR	R234,R235 on M	2
#	SD000157	82 OHM 1/2W	CHIP RESISTOR	R222,R146,R147 on M	3
POTENTIOMETER					
	SD000487	RK09L1140C1T 10KB	ROTARY POTENTIOMETER	VR1-9 on P	9
CAPACITOR					
	01458323	RPEF11H103Z2M1A01A	MLT.LAY.CERAMIC CAPACITOR	C399,C426,C427,C432 on M	4
	01563712	ECQV1H105JL3	M.POLYEST. CAPACITOR	C45,C396 on M	2
	03120001	ECQV1H224JL3	M.POLYEST CAPACITOR	C211,C212 on M	2
	02128567	ECQV1H474JL3	M.POLYEST CAPACITOR	C213,C214,C217,C218 on M	4
	03234978	ECQV1H563JL3	M.POLYEST CAPACITOR	C411 on M	1
#	△ SD000246	EC8472MH 4700P/250V	LINE CAPACITOR (SEC)	C140,C152 on M	2
#	△ SD000174	PA224-L 0.22U/250V	LINE CAPACITOR (PRI)	C151 on M	1
#	△ SD000509	1000UF/35V 105DO	ELECTROLYTIC CAPACITOR	C153 on M	1
#	△ SD000144	100UF/35V 105 DEG.	ELECTROLYTIC CAPACITOR	C30,C33,C68,C112,C146,C149,C270,C404,C407,C412 on M	10
#	SD000147	10UF/16V 105 DEG.	ELECTROLYTIC CAPACITOR	C175,C180 on M	2
	SD000504	1UF/50V 105DO	ELECTROLYTIC CAPACITOR	C44,C65,C197 on M	3
#	△ SD000150	2200UF/25V 105 DEG.	ELECTROLYTIC CAPACITOR	C142 on M	1
	SD000508	220UF/25V 105DO	ELECTROLYTIC CAPACITOR	C145,C156 on M	2
#	SD000151	22UF/50V 105 DEG.	ELECTROLYTIC CAPACITOR	C394 on M	1
#	△ SD000352	3300UF/50V	ELECTROLYTIC CAPACITOR	C139,C141 on M	2
	13639573	25V47 ECEA1EV 470-B	CHEMICAL CAPACITOR	C29,C67,C107,C125,C418,C419,C173,C178 on M	8
	13649269	ECA1CM100B 10UF/16V	CHEMICAL CAPACITOR	C31,C46-48,C54,C55,C62,C70,C74-76,C110,C160,C161,C165,C195,C395,C430,C431 on M	19

**CAPACITOR**

	01564045	ECA1JHG471E	CHEMICAL CAPACITOR	C413 on M	1
	02458989	ECA1VM471B	CHEMICAL CAPACITOR	C302,C303 on M	2
	13649711	ECEA1EKS4R7B	CHEMICAL CAPACITOR	C83 on M	1
	02563623	EEUEB1H470S	CHEMICAL CAPACITOR	C164,C166,C206,C210 on M	4
	02563623	EEUEB1H470S	CHEMICAL CAPACITOR	C414,C415 on M	2
	03128790	R2S-50V3R3MAX	CHEMICAL CAPACITOR	C410 on M	1

**INDUCTOR,COIL,FILTER**

#	△	SD000166	ELF17N030A	FILTER	FL1 on M	1
#		SD000159	965HN-1001	COIL	L201 on M	1
#		SD000163	DR1008-101K-U3.5	COIL	L270 on M	1

**CRYSTAL,RESONATOR**

		02673278	CX-49G 11.2896MHZ	CRYSTAL	X2 on M	1
		02673267	CX-49G 5MHZ	CRYSTAL	X1 on M	1

**RELAY**

#	△	SD000170	HRM4-S-DC9V-SP	RELAY	RY201 on M	1
---	---	----------	----------------	-------	------------	---

**FUSE,FUSE HOLDER**

	△	F2559307	MRT 100MA/250V	RADIAL TYPE	FUSE6 on M	1
	△	SD000251	FC-201	FUSE HOLDER	for FUSE1 on M	2
	△	F2559111	5ST T4AL 250V	FUSE	FUSE1 on M	1
#	△	SD000171	RADIAL TYPE MRT T4.0AL / 250V	FUSE	FUSE2,FUSE3 on M	2
#	△	SD000172	RADIAL TYPE MRT T400MAL / 250V	FUSE	FUSE4,FUSE5 on M	2
#	△	SD000173	RADIAL TYPE MRT T80MAL / 250V	FUSE	FUSE7 on M	2

**CONNECTOR**

		13369570	B2B-PH-K-S (2P)	CONNECTOR	CN5 on M	1
		03014001	B5B-PH-K-S JST(PB FREE)	CONNECTOR	CN6 on M	1
	△	13369981	B5P-VH 7A/250V	CONNECTOR	CN13 on M	1
		03014023	B9B-PH-K-S JST(PB FREE)	CONNECTOR	CN9 on M	1

**WIRING, CABLE**

#		SD000191	WIRING W13	(9P)	WP19 to WP20 on M	1
		SD000490	WIRING W4	(9P WHITE)	CN9 on P	1
#		SD000190	WIRING W12	(8P)	WP17 to WP18 on M	1
		SD000498	WIRING W3	(5P)	CN14 to CN15 on M	1
		SD000491	WIRING W5	(5P WHITE)	CN7 on P	1
		SD000492	WIRING W6	(3P WHITE)	WP13 to WP14 on P	1
		SD000496	WIRING W1	(2P)	CN4 on M	1
#		SD000189	WIRING W10	(1P)	WP10,WP11 on M	2
#		SD000192	WIRING W14	(1P)	WP7,WP21 on M	2
#	△	SD000195	WIRING W9	(1P)	WP1,WP2 on M	2
#		SD000193	WIRING W7	(1P RED)	SP1 on M	1
#		SD000194	WIRING W8	(1P BLACK)	SP2 on M	1

**TRANSFORMER**

#	△	SD000184	PT-BG413 110V/117V	TRANSFORMER		1
#	△	SD000185	PT-BG413 230V/240V	TRANSFORMER		1

**AC CORD ASSY (Installed)**

#	△	SD000176	SP-023 WITH TERMINAL 230V	AC CORD		1
#	△	SD000177	SP-18A WITH TERMINAL 100V	AC CORD		1
#	△	SD000178	SP-301 WITH TERMINAL 117V	AC CORD		1
#	△	SD000179	SP-502B WITH TERMINAL 240V	AC CORD		1
#	△	SD000180	SP-60 WITH TERMINAL 230VE	AC CORD		1

**SCREWS**

40011756	FLANGE HEX NUT M3	ZC		2
SD000432	SCREW 3X16	TRUSS TAPTITE A1 BZC		29
SD000068	SCREW 4X25	TRUSS TAPTITE A1 BZC		4
40010701	SCREW 4X35	TRUSS TAPPING A1 FE BZC		4
40010145	SCREW M4X25	TRUSS FE BZC		12
40010545		TRUSS HEAD SPECIAL FE BZC		
SD000484	JACK NUT	S2 BNB	for JK10	1
SD000485	JACK WASHER	S2 BNB		1
22150756	JACK NUT 2	PLASTIC/BLK	for JK1,2,4,5,7,8,	6
40013012	SCREW M4X10	PAN W SEMS FE BZC		4
40011423	SCREW M3X6	PAN SEMS FECM		7
SD000103	SCREW M4X25	PAN PACHINE W/SW BZC		2
40237101	SCREW M3X8	PAN MACHINE W/SW+SMALL PW BZC		4
40012867	SCREW M3X8	PAN MACHINE W/SW+PW ZC	for PCB,STAY,HEATSINK	18
40564556	SCREW M3X15	PAN MACHINE W/SW FW ZC	for POWER IC	2
SD000048	SCREW 5X35	OVALHEAD MACHINE BZC		4
40230778	SCREW 3X8	OVAL MACHINE BZC		2
22150501	STAND OFF	M3 L10C		4
40011889	EXTERNAL TOOTH WASHER M4	FECM		2
40011878	M3 EXTERNAL TOOTH WASHER	FECM		1
40011767	FLANGE HEX NUT M4	FE ZC		2
40011689	SPEED NUT M3	F-TYPE		2
SD000430	PLANE WASHER	D11 D4.1 T1 BLACK		4
40011312	SCREW 3X8	BINDING TAPTITE P BZC		2
SD000019	SCREW 4X25	BINDING MACHINE BZC		8
40010301	SCREW M3X20	BINDING MACHINE BZC		2
SD000370	PLATE WASHER	4.2X10X0.5T FEBC		4
17048630	VR ACCESSORY NUT M9			10
17048631	VR ACCESSORY WASHER M9			10

**PACKING**

SD000264	EAN CAP	PAD		8
SD000518	BOTTOM PAD			1
SD000516	PACKING CASE			1
SD000517	TOP PAD			1

**MISCELLANEOUS**

	△	KC60TE01	TERMINAL	PT1870502	TER1,TER2 on M	2
		SD000489	LED HOLDER	LH-5-7	for LEDs on P	5
#	△	03782323	SW HOLDER	AT-218K		1
		SD000483	SW KNOB HIMERON	87-YP5-228-01M	for ROTARY SW	1
		SD000464	HIMERON	W/ADH 6 X 50 X 0.5T	for LOGO BADGE	3
#		SD000153	CABLE CLAMP	412-PGYL-3	for SPEAKER WIRING	1
	△	12369410RT	AC CORD HOLDER	1702B		2
#		SD000169	HIMERON	W/ADH 10 X 115 X 0.25T	for TRIM SASH	2
		02566301	AC CORD BAND (BLACK)			1
#	△	SD000168	HEATSINK			1
		SD000265	RUBBER SPONGE BUSH	12X20H CUT	for SPEAKER WIRING	1

**ACCESSORIES (Standard)**

#		SD000520	OWNER'S MANUAL	JAPANESE		1
#		SD000521	OWNER'S MANUAL	ENGLISH		1

# CHECKING THE VERSION NUMBER

## tools Required

- One pair of headphones
- Two BOSS FS-5U foot switches (sold separately)
- Two foot switch connector cables (phone-phone)

1. Set up the CUBE-100 BASS as described below.

### [Connections]

Connect an FS-5U foot switch to each of the two FOOT SW jacks (EFX, DELAY/REVERB).

Set the FS-5U polarity switches to the jack side. Do not connect anything to any of the other jacks.

### [Panel Settings]

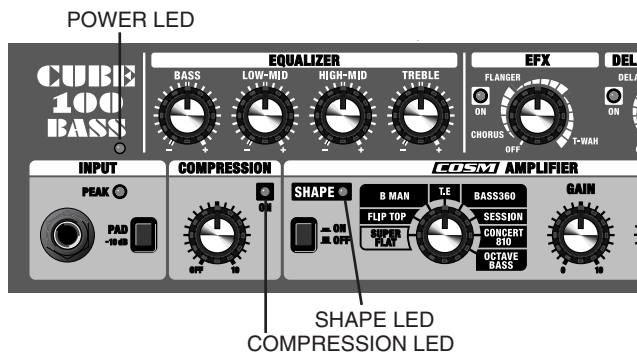
POWER SW: OFF  
 PAD SW: OFF  
 SHAPE SW: OFF  
 COSM AMPLIFIER TYPE SW: SUPER FLAT  
 All VRs: Minimum



The version number will not be displayed unless the connections and panel settings are correct.

2. Press down on the foot switch FS-5U connected to the DELAY/REVERB jack while turning on the power.
3. While continuing to press the FS-5U connected to the DELAY/REVERB jack, press the FS-5U connected to the EFX jack twice, within four seconds. After all the LEDs turn on, they begin to flash.
4. Press the FS-5U connected to the DELAY/REVERB jack again.

This switches the CUBE-100 BASS to version display status.  
 Check the version according to which of the POWER LED, the COMPRESSION LED, and the SHAPE LED are lit or off.



LED	1.00	1.01	1.02	1.03	1.04	1.05	1.06
POWER	o	x	o	x	o	x	o
COMPRESSION	x	o	o	x	x	o	o
SHAPE	x	x	x	o	o	o	o

o: Lit  
 x: Off



If the EFX LED or DELAY/REVERB LED are lit at this time, the CPU or DSP self-diagnosis is failure (NG).  
 The version is still indicated even when this occurs.

5. Turn off the power.

# TEST MODE

## tools Required

- One pair of headphones
- Two BOSS FS-5U foot switches (sold separately)
- Two foot switch connector cables (phone-phone)

## Entering Test Mode

1. Set up the CUBE-100 BASS as described below.

### [Connections]

Connect an FS-5U foot switch to each of the two FOOT SW jacks (EFX, DELAY/REVERB).

Set the FS-5U polarity switches to the jack side. Do not connect anything to any of the other jacks.

### [Panel Settings]

POWER SW: OFF  
 PAD SW: OFF  
 SHAPE SW: OFF  
 COSM AMPLIFIER TYPE SW: SUPER FLAT  
 All VRs: Minimum



The CUBE-100 BASS will not enter Test mode unless the connections and panel settings are correct.

2. Press down on the foot switch FS-5U connected to the DELAY/REVERB jack while turning on the power.
3. While continuing to press the FS-5U connected to the DELAY/REVERB jack, press the FS-5U connected to the EFX jack twice, within four seconds. After all the LEDs turn on, they begin to flash.

## Exiting Test Mode

Turn off the power to exit the Test mode.

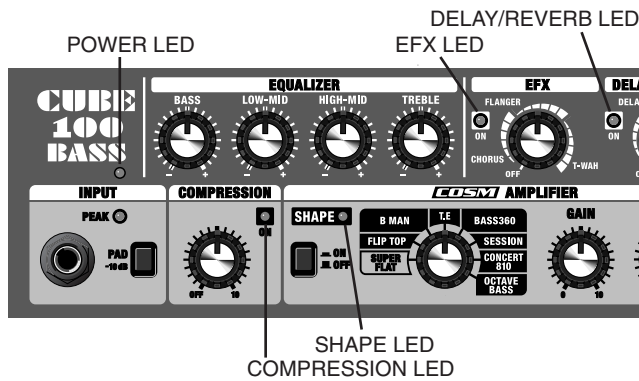
## Skipping

Tests cannot be skipped in Test mode.

## Test Items

### 1. Version Display/CPU and DSP Test (determined automatically)

Press the FS-5U connected to the DELAY/REVERB jack.  
 The version is indicated by on/off status of the POWER LED, the COMPRESSION LED, and the SHAPE LED.



LED	1.00	1.01	1.02	1.03	1.04	1.05	1.06
POWER	o	x	o	x	o	x	o
COMPRESSION	x	o	o	x	x	o	o
SHAPE	x	x	x	o	o	o	o

o: Lit  
 x: Off  
 EFX LED lit: CPU NG (failure)  
 DELAY/REVERB LED lit: DSP NG (failure)  
 If there is a failure in any of these tests, the procedure does not advance to the next test.

## 2. Volume Test



When a volume knob is adjusted, the DSP automatically starts to generate tone, so if speaker is connected, the sound is output from the speaker. The volume changes according to the knob position until reading is completed.

\* We recommend connecting headphones to the headphone jack to prevent sounds from being output from the CUBE-100 BASS's speaker.

Press the FS-5U connected to the DELAY/REVERB jack.  
 All LEDs go out.  
 Confirm the results of the volume test as described below.  
 The reading of each volume is detected at four positions (in four ranges).  
 Check confirmation of the detected volume with the COMPRESSION and SHAPE LEDs.

Knob Position	SELECT (Green)	SELECT (Red)
(1) "0" or "OFF" or Min.	x	x
(2) Left Half	o	x
(3) Right Half	o	o
(4) "10" or Max.	x	x

o: Lit  
 x: Off  
 Rotate the volume knob slowly from the (1) to (4) positions. Confirm that the SELECT (red) LED lights when the knob is at center position.  
 Reading of the volume is completed with the detection of (4).  
 The test proceeds in the following sequence.  
 COMPRESSION -> BASS -> LOW-MID -> HIGH-MID -> TREBLE -> EFX -> DELAY/REVERB -> VOLUME -> GAIN  
 If a mistake is made in the testing sequence, the operation at that point is disregarded, and only the volume adjustment knob targeted in the test is detected.  
 If any volume level (1)-(4) for any knob is not detected, the procedure does not advance to the next test.  
 The tone stops after testing of the last volume knob.

## 3. Switch Test



If there is a failure in any of these tests, the procedure does not advance to the next test.

### 1. PAD Switch Test

Press the BRIGHT switch. If the test results in OK (pass), the POWER LED lights.

### 2. PAD Switch Test

Press the SHAPE switch. If the test results in OK (pass), the PEAK LED lights.

### 3. RECORDING OUT/PHONES Jack Switch Test

Plug the headphones into the RECORDING OUT/PHONES jack. If the test results in OK, the COMPRESSION LED lights.

### 4. DELAY/REVERB Jack Switch Test

Unplug the cable connected to the FS-5U from the DELAY/REVERB jack. If the test results in OK, the SHAPE LED lights.

### 5. EFX Jack Switch Test

Unplug the cable connected to the FS-5U from the EFX jack. If the test results in OK, the EFX LED lights.

### 6. EXT SPEAKER Jack Switch Test

Plug the cable which isn't connected to anything into EXT SPEAKER jack. If the test results in OK, the DELAY/REVERB LED lights.

After this, the COMPRESSION and SHAPE LEDs flash for one seconds, then the COMPRESSION LED remains lit.

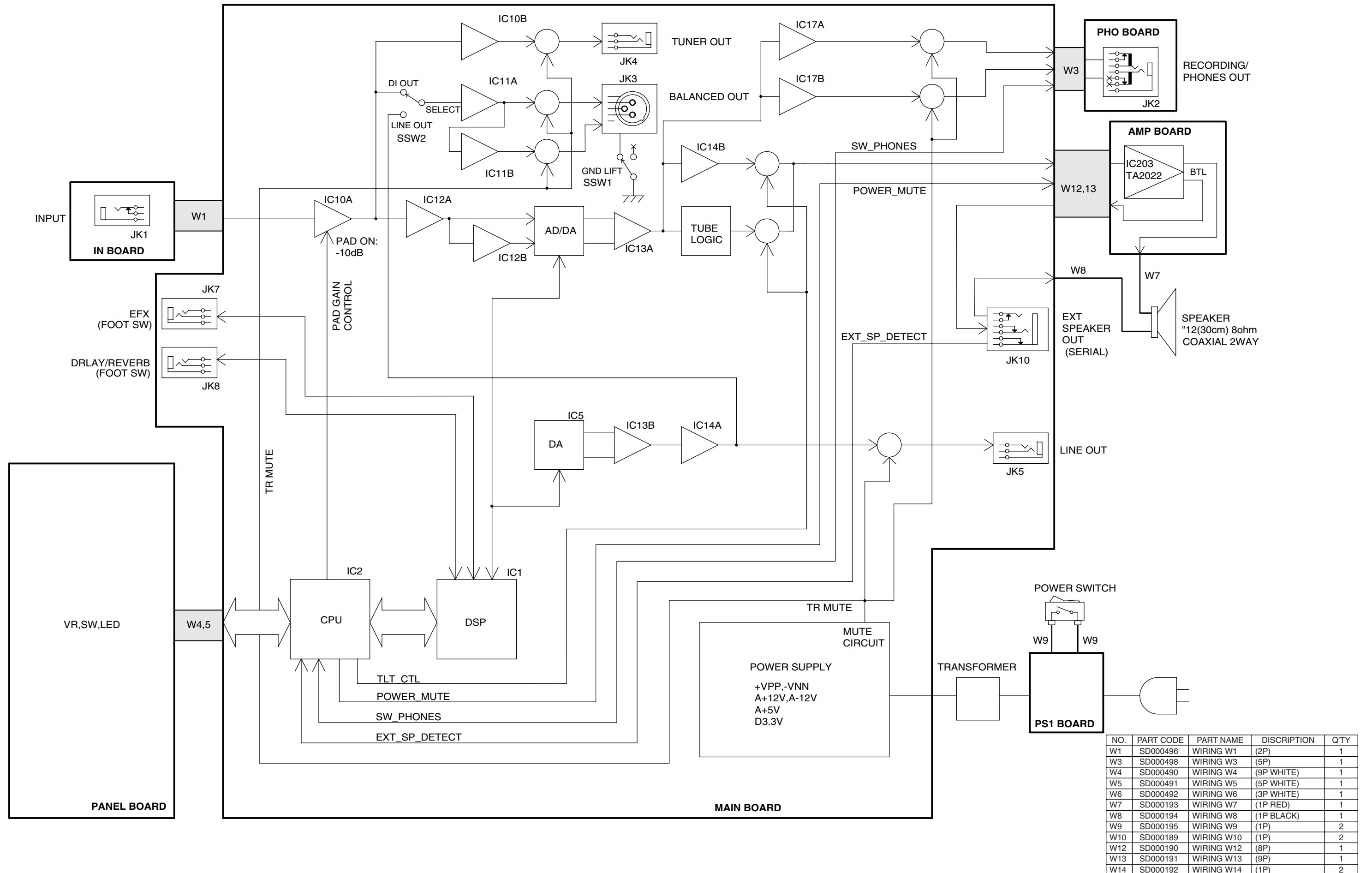
### 7. AMP TYPE Switch Test

Slowly adjust the switch in the following sequence, and confirm the lighting status of the COMPRESSION and SHAPE LEDs.

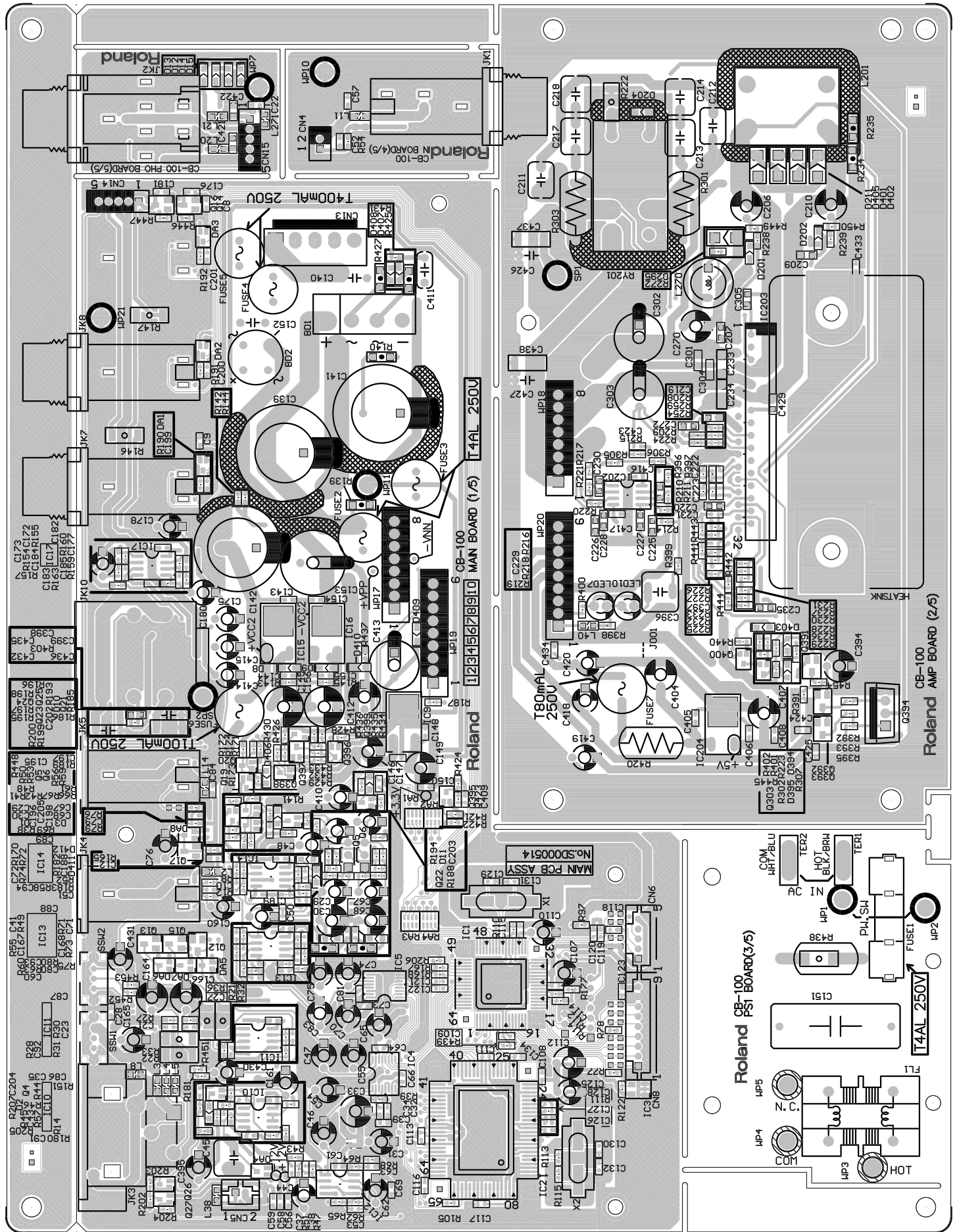
TYPE	COMPRESSION	SHAPE
SUPER FLAT	o	x
FLIP TOP	x	o
B MAN	o	x
T.E	x	o
BASS360	o	x
SESSION	x	o
CONCERT810	o	x
OCTAVE BASS	x	o

o: Lit  
 x: Off  
 This completes testing.  
 Turn the power off.

**BLOCK DIAGRAM**

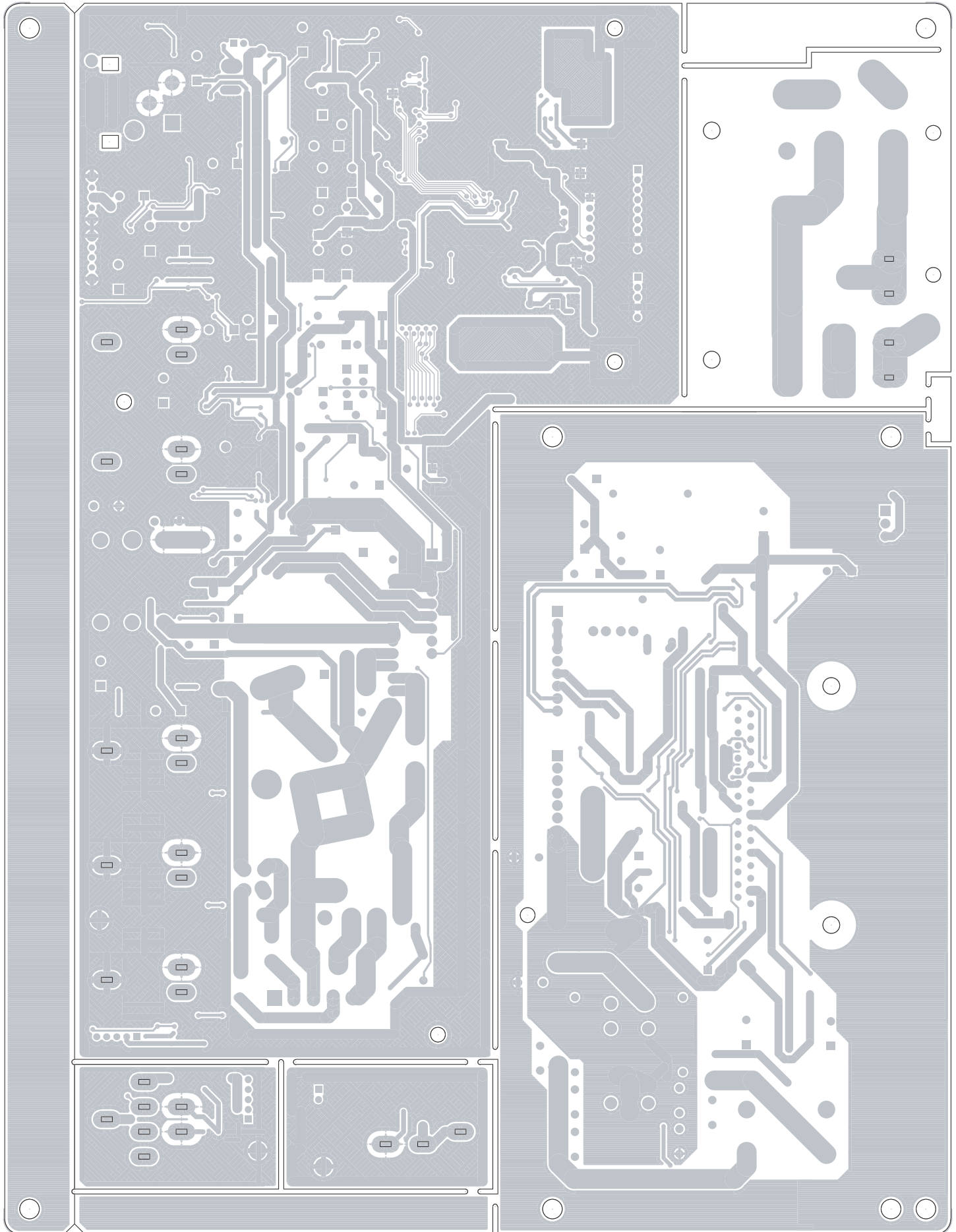


# CIRCUIT BOARD (MAIN BOARD 1)



View from components side

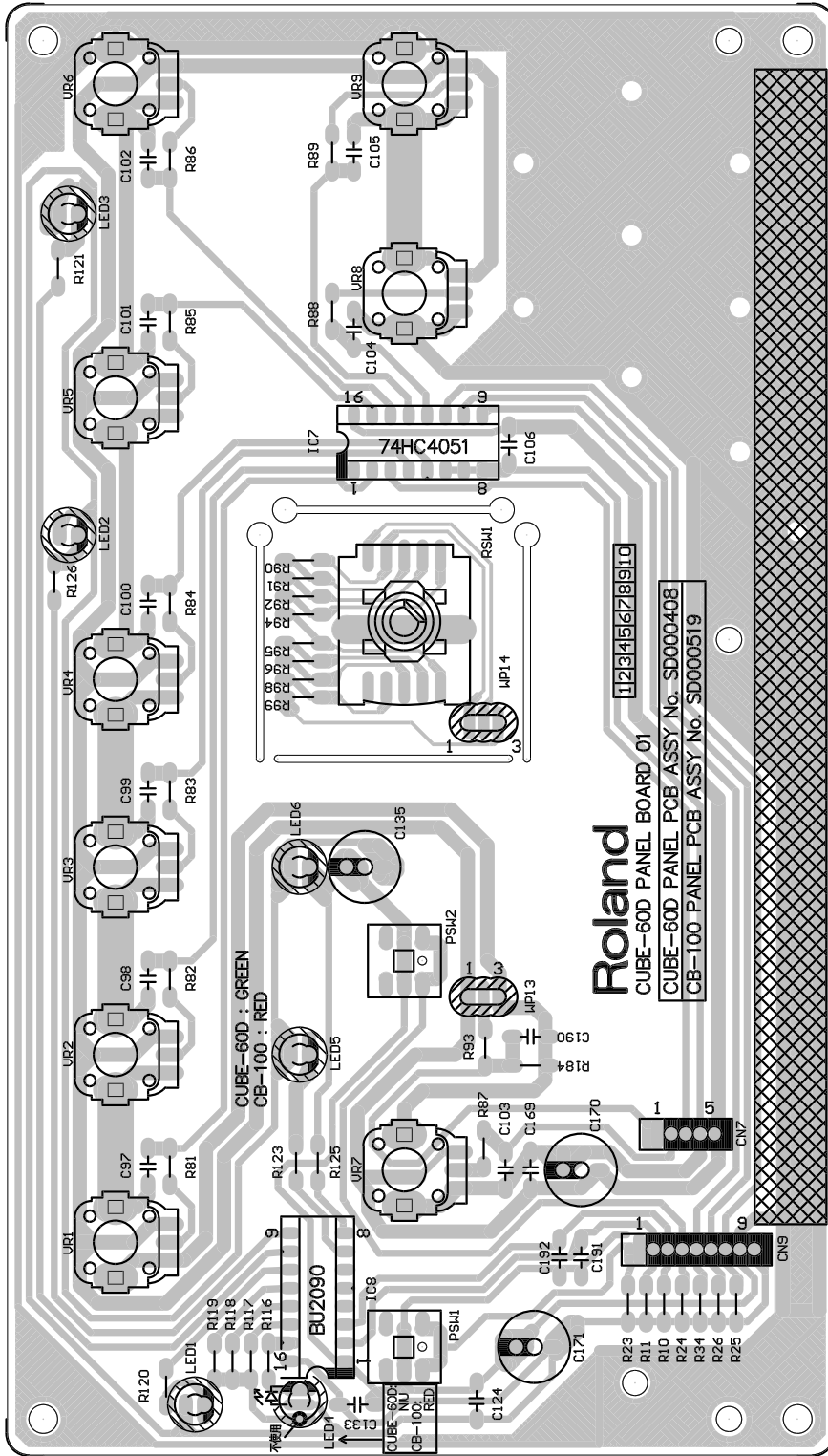
**CIRCUIT BOARD (MAIN BOARD 2)**



**View from foil side**

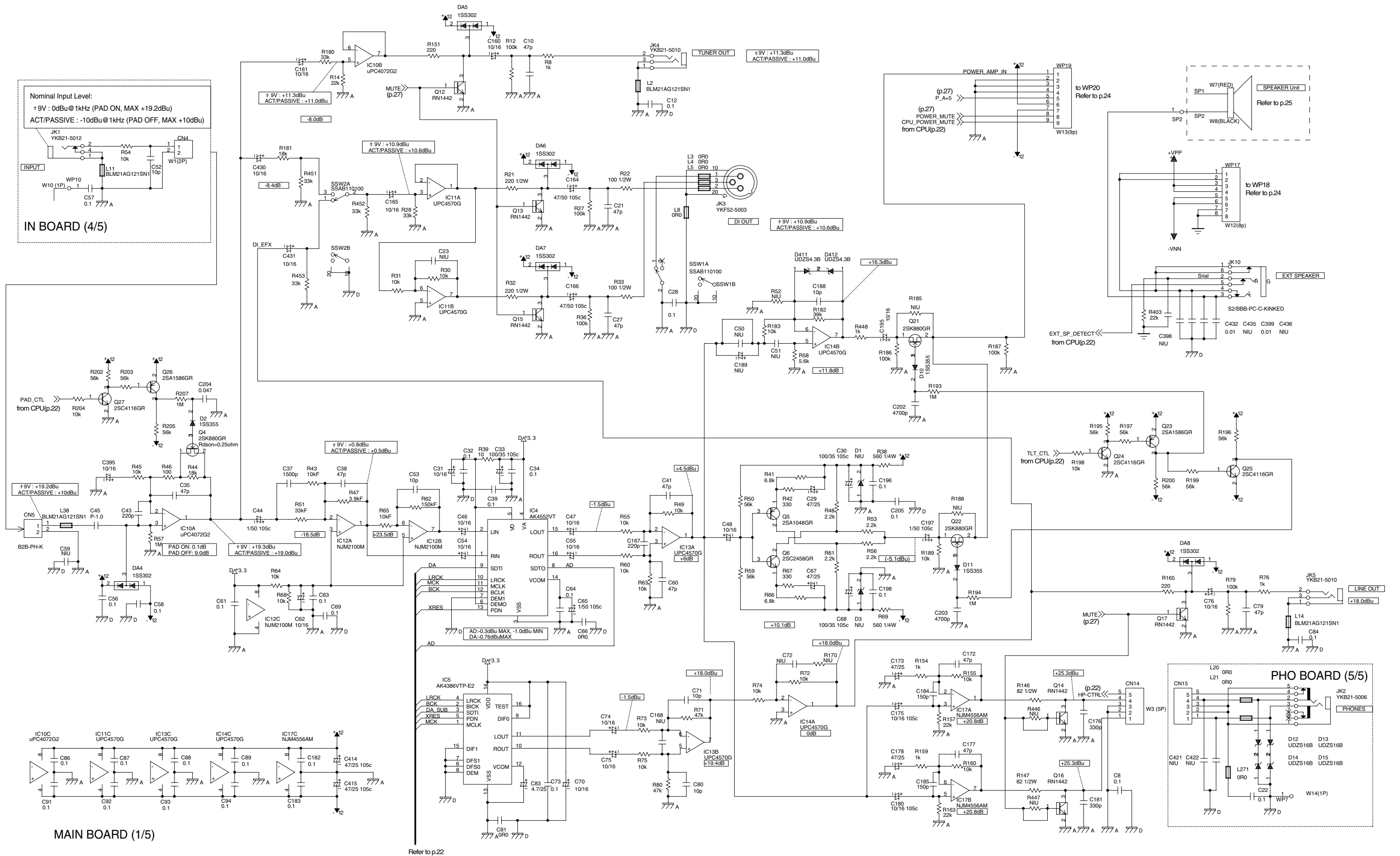


# CIRCUIT BOARD (PANEL BOARD)

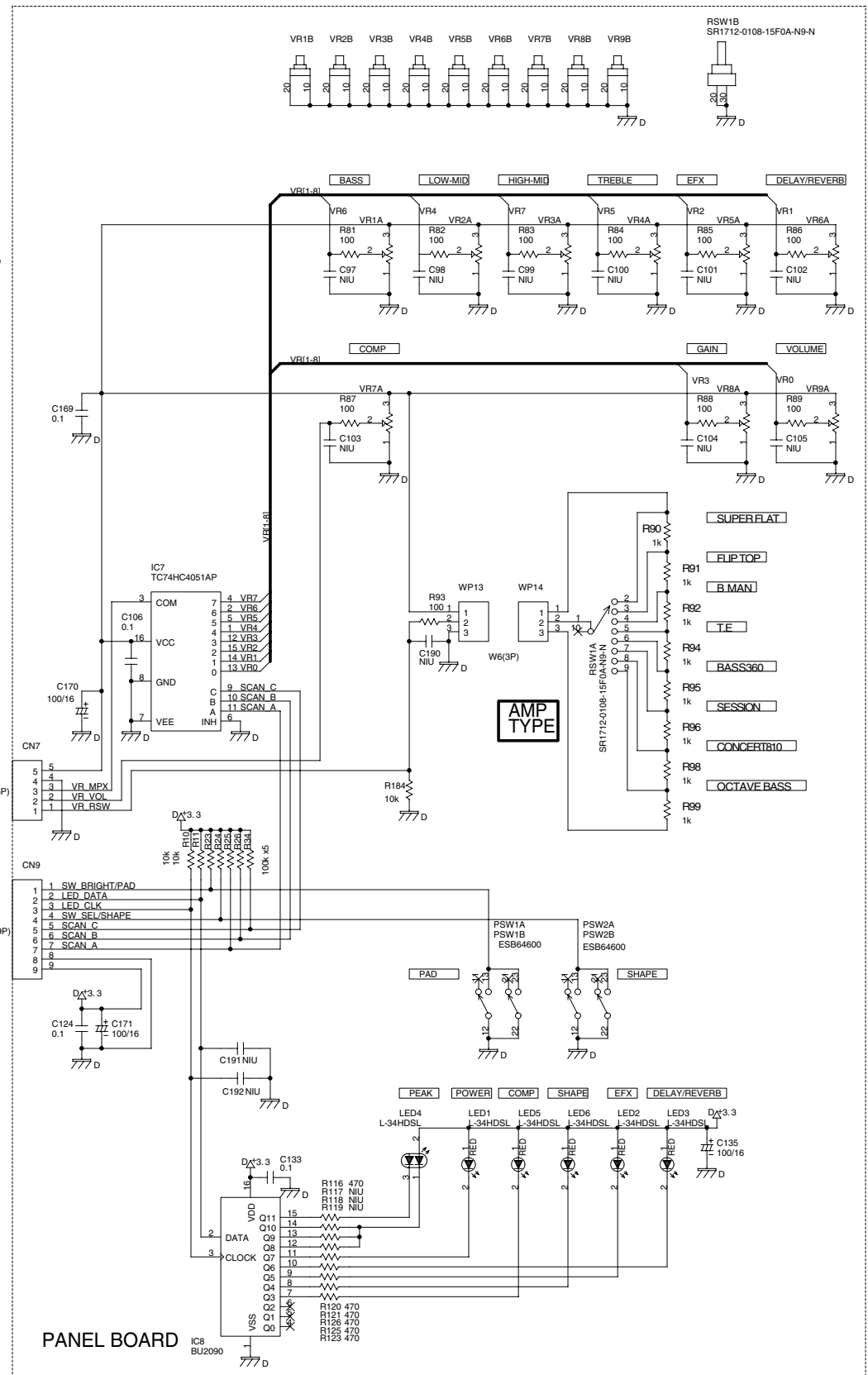
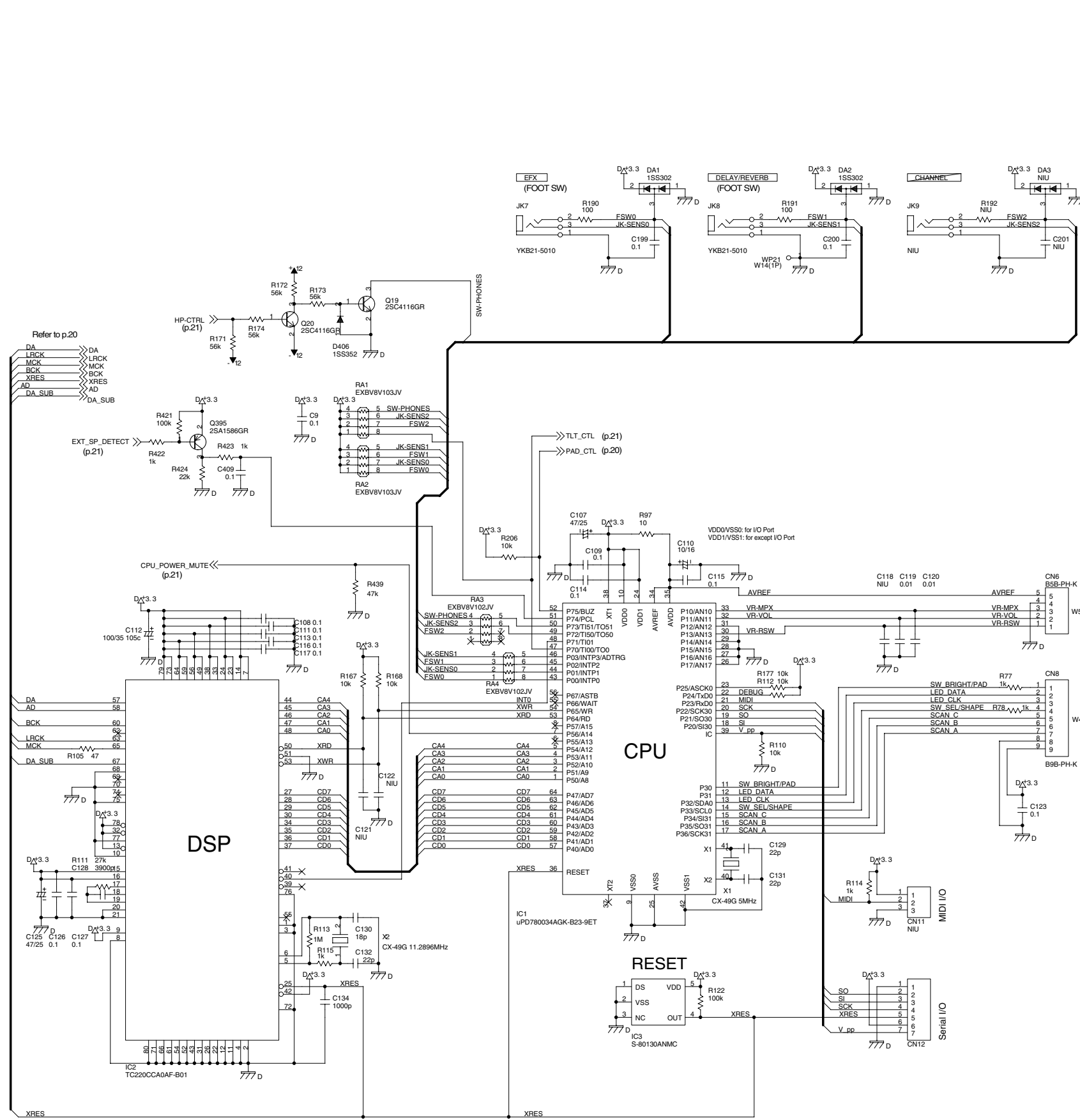




# CIRCUIT DIAGRAM(MAIN 1 & IN & PHO)



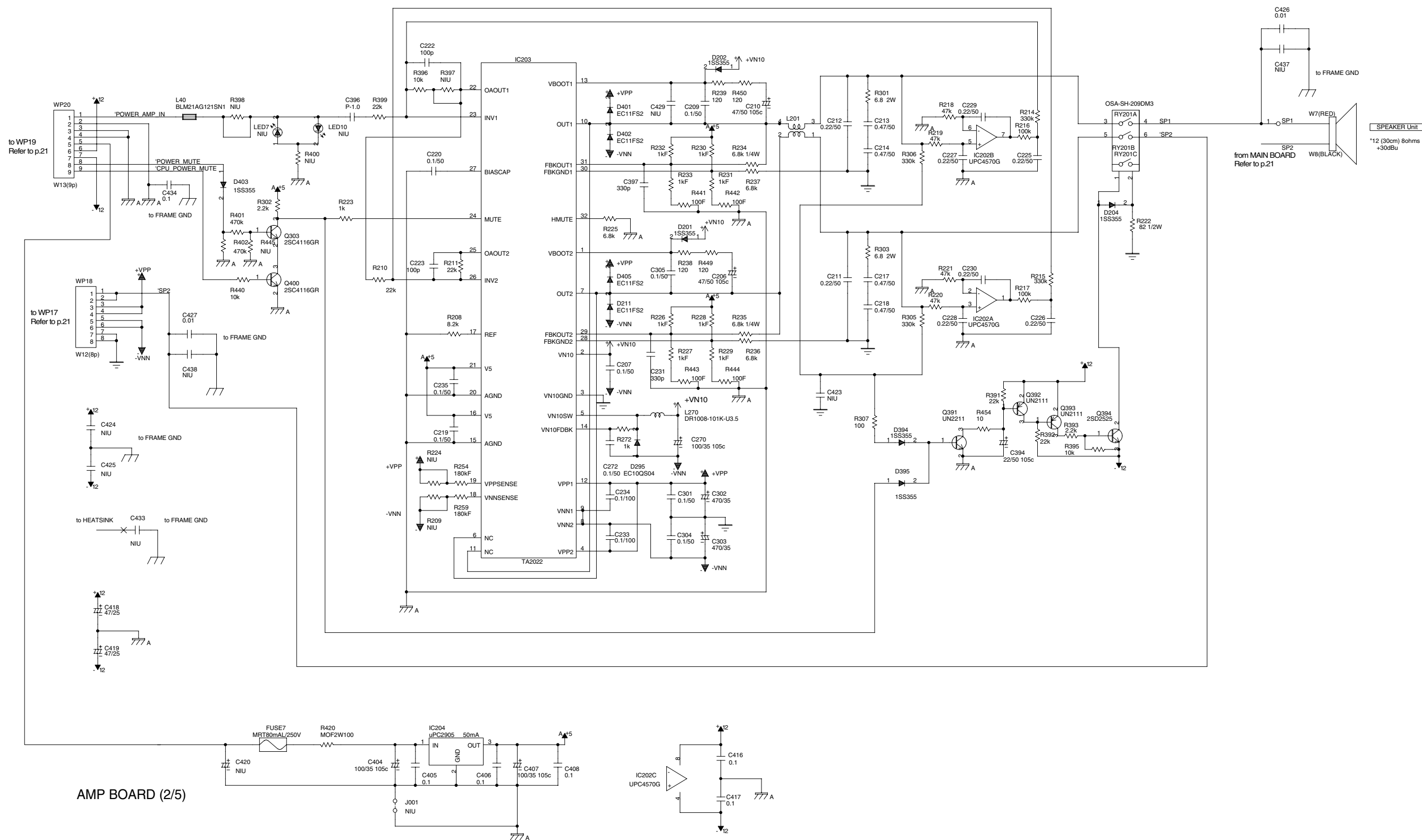
# CIRCUIT DIAGRAM(MAIN 2 & PANEL)



MAIN BOARD (1/5)

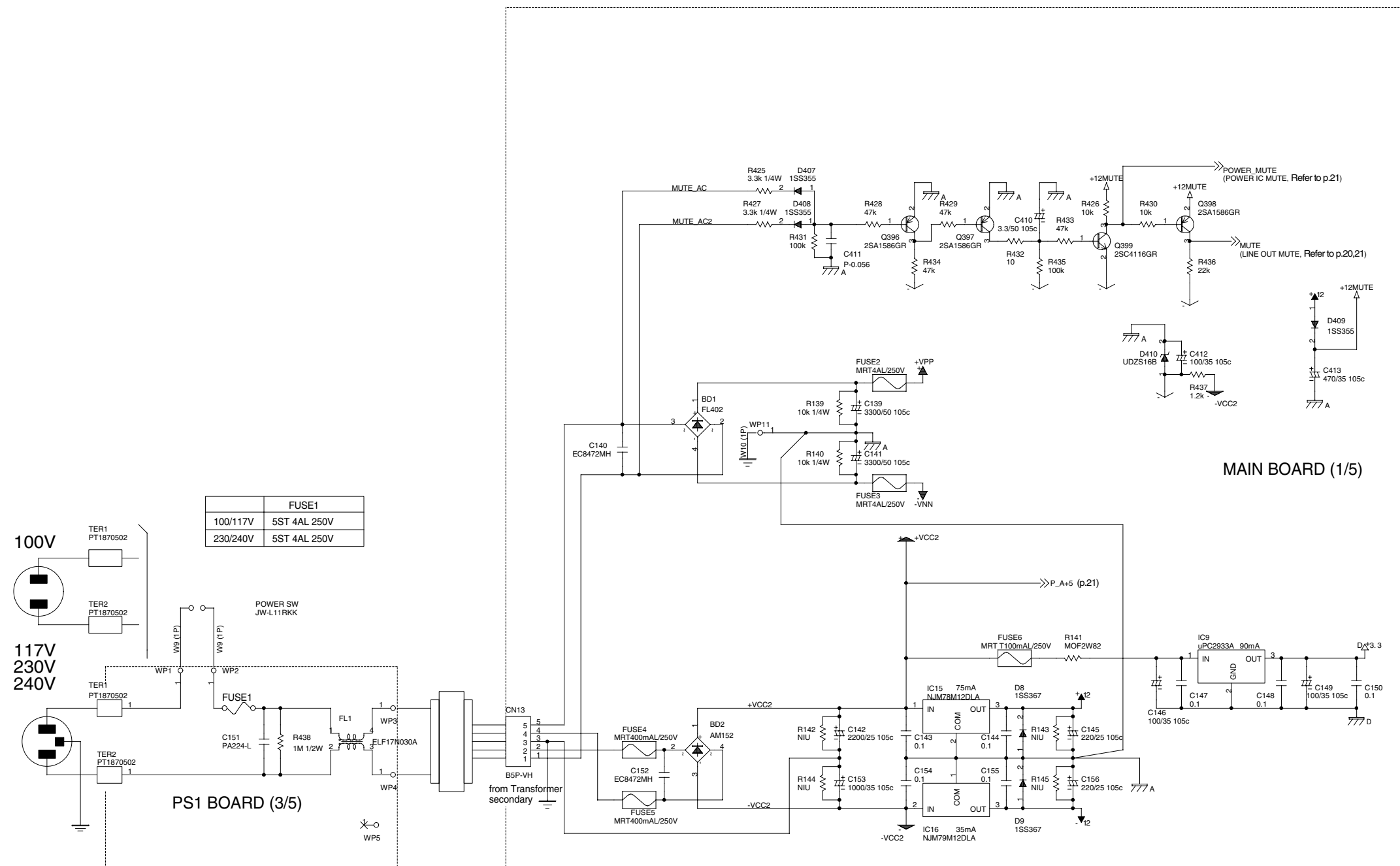
Note: "NIU" =Not In Use

# CIRCUIT DIAGRAM(AMP)



AMP BOARD (2/5)

# CIRCUIT DIAGRAM(MAIN 3 & PS1)



Note: "NIU" =Not In Use