

FP-8

SERVICE NOTES

First Edition

ADVANCED SA SYNTHESIS DIGITAL PIANO

TABLE OF CONTENTS

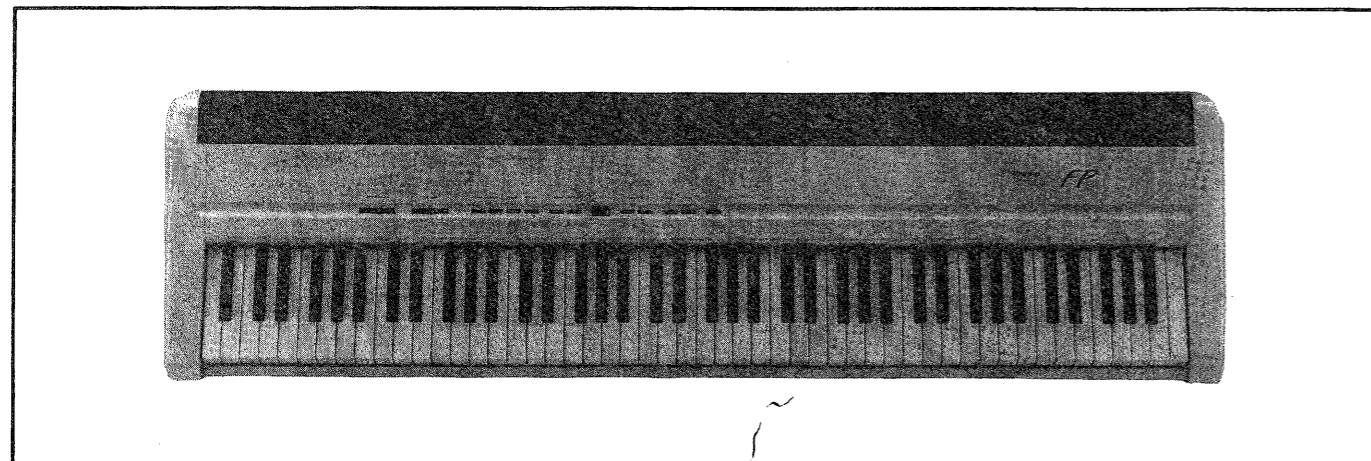
目次

Page

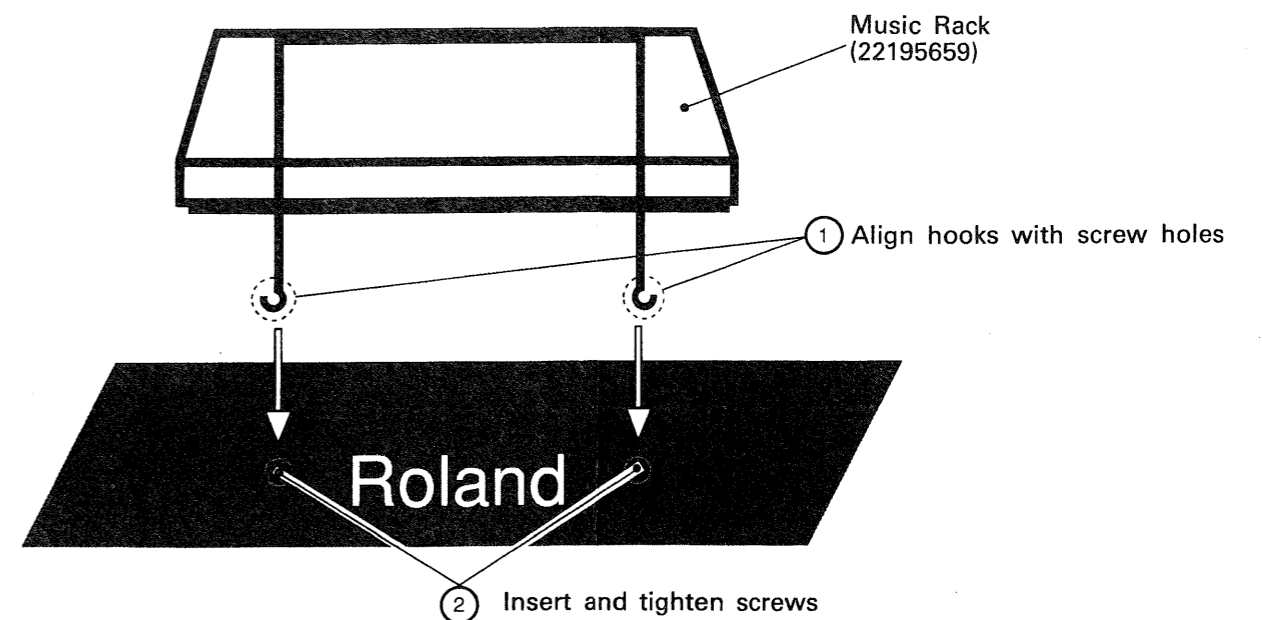
SPECIFICATIONS	仕様	1
HOW TO PUT ON THE MUSIC STAND	ミュージック・スタンドの取り付け方	1
LOCATION OF CONTROLS	パネル配置図	2
EXPLODED VIEW	分解図	2, 3
PARTS LIST	パーツリスト	3, 4
KEYBOARD PARTS LIST	鍵盤パーツリスト	5
DISASSEMBLY	分解手順	5, 6
BLOCK DIAGRAM	ブロック図	7
MAIN BOARD	MAIN BOARD	8, 9
SWITCH BOARD	SWITCH BOARD	10, 11
JACK BOARD	JACK BOARD	12, 13
AMP PS BOARD	AMP PS BOARD	14, 15
PCB 24P LOW	PCB 24P LOW	16, 17
PCB 24P MID	PCB 24P MID	16, 17
PCB 24P HI	PCB 24P HI	16, 17
LOADING THE FACTORY PRESET	ファクトリー・プリセットのロード方法	18
TEST MODE	テストモード	18, 19
ADJUSTMENT SPECIFICATIONS "D/A MSB ADJUSTMENT"	調整仕様 "D/A MSB 調整"	19, 20
TROUBLESHOOTING	トラブルシューティング	20
I/C DATA	I/C データ	21, 22
KEYBOARD STAND FPS-8 (OPTION)	キーボード・スタンド FPS-8 (オプション)	23

SPECIFICATIONS/仕様

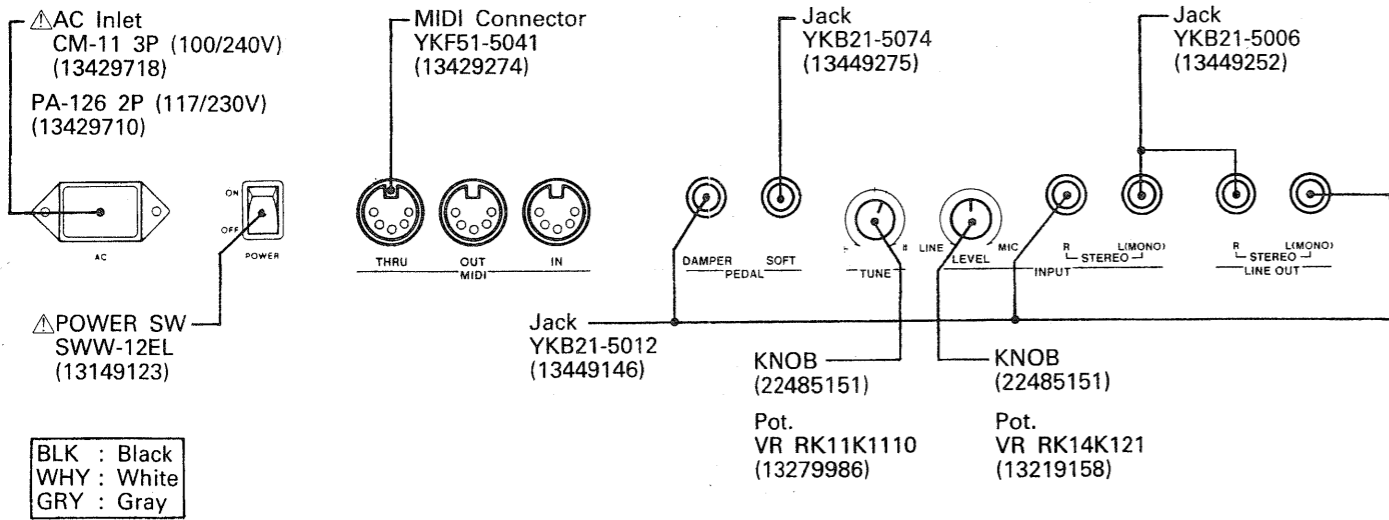
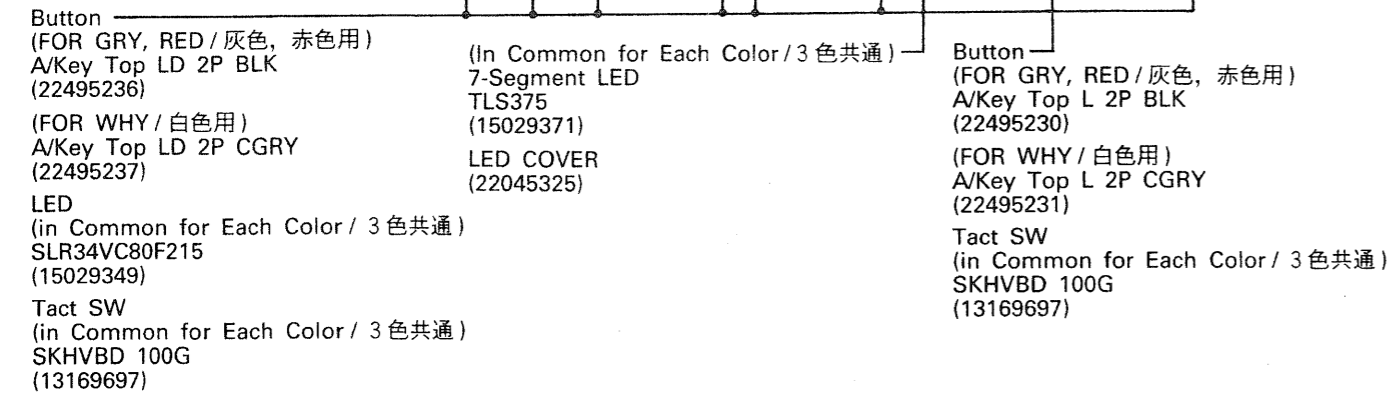
- KEYBOARD Weighted-counterlever mechanism: 88 notes ;velocity sensitive
- SOUND SOURCE Advanced SA(Structured Adaptive) Synthesis
- MAXIMUM POLYPHONY 28 notes
- TONE GROUPS PIANO (5 variations/5音色)
/プリセット音 E.PIANO (3 variations/3音色)
MALLET (4 variations/4音色)
STRINGS (4 variations/4音色)
Internal Sound(合計): 16 sounds/音色
- DIGITAL EFFECTS Chorus and Reverb
- KEYBOARD TOUCH CONTROL [1] Light,[2] Standard,[3] Heavy
- TUNING +/- 50 cents
- SPEAKERS 10cm x2, 5cm x2
- OUTPUT 10W x2
- POWER CONSUMPTION 25W(100V),45W(117V),65W(230/240V)
- FINISH/仕上げ Matte Grey,Metallic Red,Pearl White
- DIMENSIONS 52-7/8(W)x15-1/16(D)x4-3/4(H) inches
1343(W)x383(D)x120(H) mm
- WEIGHT 57.3 lbs /26kg
- ACCESSORIES △AC Cord
100V (DC-357-J01) :PNo.13439816F0
117V (2SJT2P 18AWG60 UC704-J01) :PNo.13439812F0
230V (EC-210-E06) :PNo.13439813F0
240VE (UK Molding Cord Set) :PNo.23495110
240VA (SC415-J06 3P) :PNo.13439814F0
Pedal DP-6(Damper,Soft,Sostenuto) :PNo.*****
Music Rack/譜面立て :PNo.22195659
Owner's Manual Set (DOM) :PNo.26045503
Owner's Manual Set (EXP) :PNo.26045504
- OPTIONS FPS-8 (Keyboard stand)
RH-12/100(Headphones)
EV-5(Expression Pedal)



HOW TO PUT ON THE MUSIC STAND/ミュージック・スタンドの取り付け方



LOCATION OF CONTROLS / パネル配置図



NOTE: The tact switches are all SKHVBD (13169697). The LEDs are all SLR34VC80F215 (15029349) with the exception of the "PLAY" LED which is SLR34MC80F215 (15029348). Note that the slide knobs, SVR escutcheons and buttons differ according to the color of the body.

The parts on the rear panel are all common to the three colors.

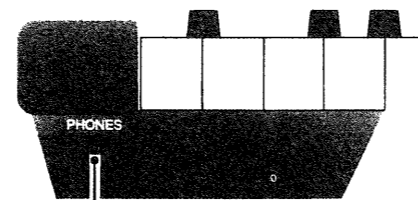
注: タクトスイッチは全て SKHVBD 100G (13169697) です。

LEDは「PLAY」のみ SLR34MC80F215 (15029348) です。

その他のLEDは全て SLR34VC80F215 (15029349) です。

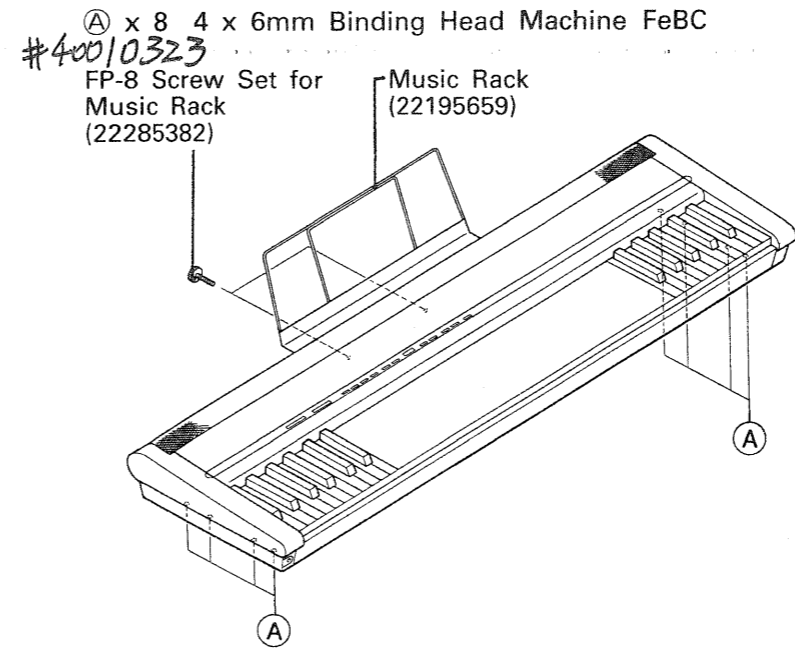
Slide Knob, SVR Escutcheon, Buttonは、本体の色によって違うので注意して下さい。

リアパネル面の部品は全て3色共通です。



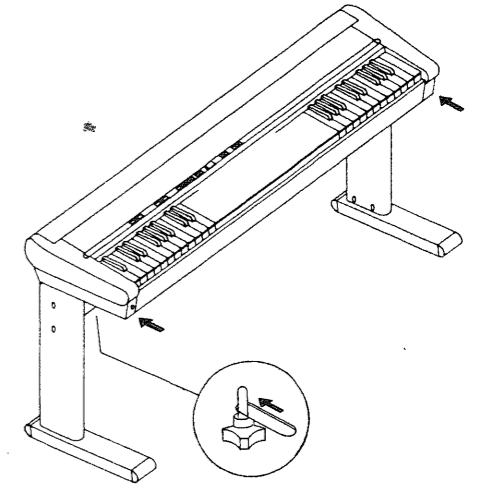
EXPLODED VIEW / 分解図

Panel Opening Screws / パネルを開けるためのネジ

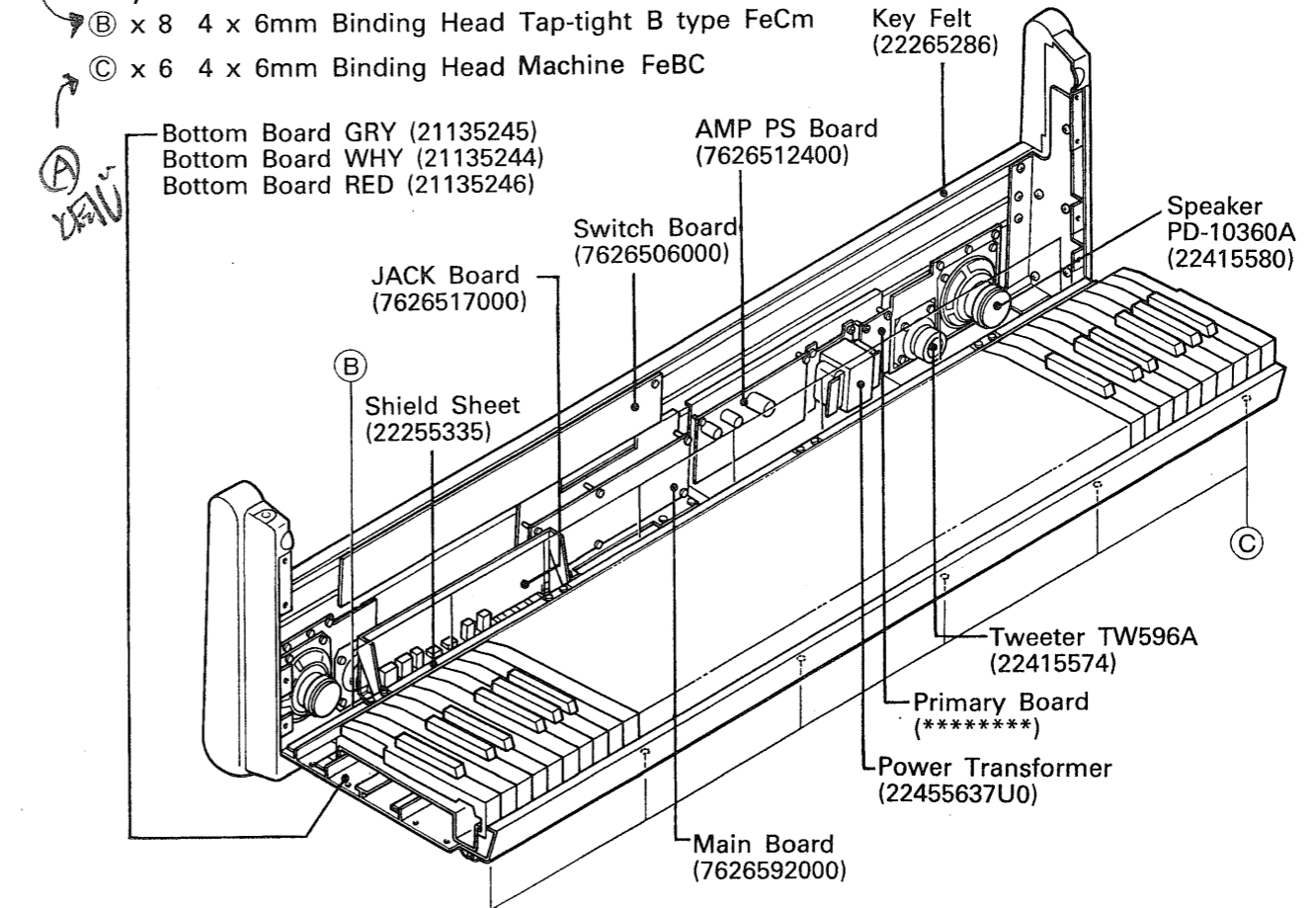


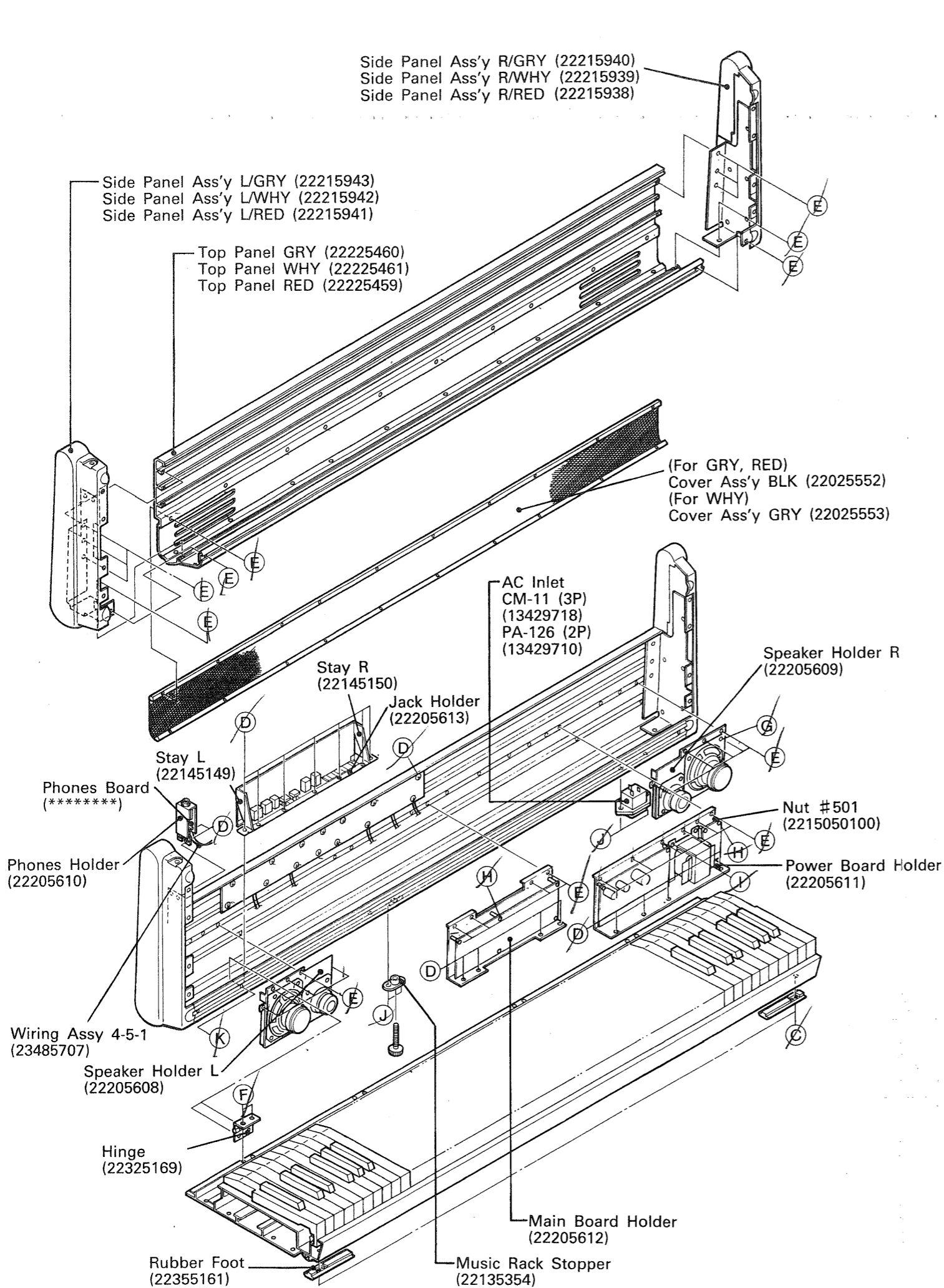
When the top panel is to be opened for repairing, loosen the knob bolts and push the body far. In this state, open the top panel and the stand acts as a stay.

トップパネルを開けて修理する場合、ノブ・ボルトをゆるめ、本体を奥に押しします。この状態でトップパネルを開けると、スタンドがステーになります。



Keyboard Removal Screws / 鍵盤取り外し用ネジ





- Ⓐ 4 x 6mm Binding Head Machine FeBC 40010373
- Ⓑ 4 x 6mm Binding Head Tap-tight B type FeCm
- Ⓒ 4 x 6mm Binding Head Machine FeBC 40012278
- Ⓓ 3 x 6mm Binding Head Tap-tight B type FeCm
- Ⓔ 3 x 8mm Binding Head Tap-tight B type FeBC
- Ⓚ 4 x 8mm Binding Head Machine FeBC 40010339
- Ⓛ 4 x 6mm Binding Head Tap-tight S type FeCm 40012523
- Ⓜ 3 x 6mm Binding Head Machine FeCm 40010178
- Ⓨ 4 x 8mm Binding Head Machine FeCm 40015978
- Ⓩ 4 x 8mm Binding Head Tap-tight B type FeBC
- ⓐ 4 x 6mm Binding Head Tap-tight B type FeCm 40011055
- ⓑ 40011067
- ⓒ 40011101

PARTS LIST/パーツリスト

SAFETY PRECAUTIONS:
 The parts marked Δ have safety-related characteristics. Use only listed parts for replacement.
 安全上の注意:
 Δが付いている部品は、安全上特別な規格でつくられたものです。交換の際は、指定された部品番号以外の部品は使わないようにして下さい。

CONSIDERATIONS ON PARTS ORDERING
 When ordering any parts listed in the parts list, please specify the following items in the order sheet.
 Failure to completely fill the above items with correct number and description will result in delayed or even undelivered shipment.
 パーツ発注に関するお願い
 オーダーシートには、必ず下記の4項目は正確に記入して下さい。(例外は除く)

QTY	PART NUMBER	DESCRIPTION	MODEL NUMBER
Ex. 10	22575241	Sharp Key	C-20/50
15	2247017300	Knob (orange)	DAC-15D

必要数 パーツナンバー 品名 使用機種
 例) 10 22575241 Sharp Key C-20/50
 15 2247017300 Knob (orange) DAC-15D
 もし記入漏れ、誤記等がある場合、必要部品が発送出来なかったり、大幅な遅れの原因になります。御協力をお願いします。

BLK ----->	Black	MB ----->	Main Board
WHY ----->	White	SB ----->	Switch Board
GRY ----->	Gray	PB ----->	Phones Board
JB ----->	Jack Board	AP ----->	Amp PS Board

CASING ケース

(In Common for Each Color/ 3色共通)

- 22045325 LED Cover
- 22265286 Key Felt(BLK)
- 22135354 Music Rack Stopper/譜面タテ止メ
- 22325169 Hinge/ヒンジ
- 22355161 Rubber Foot/ゴム足

(FOR GRY/灰色用)

- 22225460 Top Panel GRY
- 21135245 Bottom Board GRY
- 32225353 SVR ESCUTCHEON/エスカッション (BLK)
- 22215940 Side Panel Ass'y R/GRY **INCLUDING THE FOLLOWING**
 (22025557 Side Panel Cover R/GRY)
 (22215939 Side Panel R/GRY)
 (22055152 Side Plate R)
- 22215943 Side Panel Ass'y L/GRY **INCLUDING THE FOLLOWING**
 (22025556 Side Panel Cover L/GRY)
 (22215938 Side Panel L/GRY)
 (22055151 Side Plate L)
- 22025552 Cover Ass'y BLK
 (22025551 Cover BLK)
 (22245211 Dust Cover)
 (22205645 PM Front Holder)
 (22205646 PM Rear Holder)

(FOR WHY/白色用)

- 22225461 Top Panel WHY
- 21135244 Bottom Board WHY
- 32225369 SVR ESCUTCHEON/エスカッション GRY
- 22215939 Side Panel Ass'y R/WHY **INCLUDING THE FOLLOWING**
 (22025559 Side Panel Cover R/WHY)
 (22215930 Side Panel R/WHY)
 (22055152 Side Plate R)
- 22215942 Side Panel Ass'y L/WHY **INCLUDING THE FOLLOWING**
 (22025554 Side Panel Cover L/WHY)
 (22215929 Side Panel L/WHY)
 (22055151 Side Plate L)
- 22025553 Cover Ass'y GRY
 (22025550 Cover GRY)
 (22245211 Dust Cover)
 (22205645 PM Front Holder)
 (22205646 PM Rear Holder)

(FOR RED/赤色用)

- 22225459 Top Panel RED
- 21135246 Bottom Board RED
- 32225353 SVR ESCUTCHEON/エスカッション BLK
- 22215938 Side Panel Ass'y R/RED **INCLUDING THE FOLLOWING**
 (22025554 Side Panel Cover R/RED)
 (22215936 Side Panel R/RED)
 (22055152 Side Plate R)
- 22215941 Side Panel Ass'y L/RED **INCLUDING THE FOLLOWING**
 (22025550 Side Panel Cover L/RED)
 (22215935 Side Panel L/RED)
 (22055151 Side Plate L)
- 22025552 Cover Ass'y BLK
 (22025551 Cover BLK)
 (22245211 Dust Cover)
 (22205645 PM Front Holder)
 (22205646 PM Rear Holder)

⑤ 上記 SIDE PANEL COVER R/Lと SIDE PANEL R/Lは 単体では 供給できません 供給単位は SIDE PANEL ASSYです

CHASSIS/シャーシ

Table with 3 columns: Part No., Description, and Location. Includes items like Speaker Holder L, Main Board Holder, Power Board Holder, etc.

KNOB,BOTTOM/ツマミ, ボタン

Table with 3 columns: Part No., Description, and Location. Includes SLIDE KNOB BLK, A/Key Top L 2P BLK, etc.

(FOR WHY/白色用)

Table with 3 columns: Part No., Description, and Location. Includes S-KNOB S GRW/WHY, A/Key Top L 2P CGRY, etc.

(in Common for Each Color/3色共通)

Table with 3 columns: Part No., Description, and Location. Includes KNOB/ツマミ for JB.

SWITCH/スイッチ

Table with 4 columns: Part No., Description, Location, and Notes. Includes SWW-12EL 5A/125V Power SW, SSSS-12A-12 (Smt) Slide SW, etc.

JACK, SOCKET/ジャック, ソケット

Table with 4 columns: Part No., Description, Location, and Notes. Includes YKB21-5074 JK1 on JB, YKB21-5012 JK2,3,6 on JB, etc.

DISPLAY UNIT

Table with 4 columns: Part No., Description, Location, and Notes. Includes TLS375 7-Segment LED on SB.

SPEAKER/スピーカー

Table with 3 columns: Part No., Description, and Location. Includes Speaker PD-10360A, Tweeter TW-596A.

KEYBOARD/鍵盤組立

Table with 2 columns: Part No. and Description. Includes PA-488-A with note: Refer to "KEYBOARD PARTS LIST" (P. 5) for details.

PCB ASSY/基板組立

Table with 2 columns: Part No. and Description. Includes MAIN Board Ass'y, Switch Board Ass'y, Jack Board Ass'y, AMP PS Board Ass'y, etc. with detailed notes.

Table 1

Table with 3 columns: Voltage, Fuse Label, and Fuse Value. Includes 100V/117V FUSE (No.) TSC 1A-N1 (12559373), 230V/240V FUSE (No.) CEE-500mAT (12559511), etc.

IC/集積回路

Table with 4 columns: Part No., Description, Location, and Notes. Includes CPU ZTAT, CPU MASK, Hex Inv., Tripple 3-Input NAND, etc.

Table with 4 columns: Part No., Description, Location, and Notes. Includes Hex Inv. (Open Collector), Photo-coupler, V.RGL, etc.

TRANSISTOR/トランジスタ

Table with 4 columns: Part No., Description, Location, and Notes. Includes RN2227 Digital TR, DTC114ES Digital TR, etc.

DIODE/ダイオード

Table with 4 columns: Part No., Description, Location, and Notes. Includes RB420D T146(Chip), 1SS176 Switching Diode, etc.

POTENTIOMETER/可変抵抗

Table with 4 columns: Part No., Description, Location, and Notes. Includes 1RVGJ03-104VM-TG (Chip) Trimmer, EWA-NA0X10A14 10Kx2 Slide VR, etc.

CAPACITOR/コンデンサ

Table with 4 columns: Part No., Description, Location, and Notes. Includes FYD0H473Z Chemical, DE7150F472MVA1 Line Bypass, etc.

INDUCTOR, COIL, FILTER/インダクタ, コイル, フィルター

Table with 4 columns: Part No., Description, Location, and Notes. Includes SNT-D30 on JB, ESD-R-12C Data Line Filter, etc.

CRYSTAL, RESONATOR/クリスタル, 発振器

Table with 4 columns: Part No., Description, Location, and Notes. Includes MA-506 20.0MH (Smt) X1 on MB, MA-506 23.2MH (Smt) X2 on MB.

FUSE, FUSE HOLDER/ヒューズ, ヒューズホルダー

Table with 4 columns: Part No., Description, Location, and Notes. Includes TSC 1A-N1 100/117V, CEE-500mAT 230/240V, etc.

CONNECTOR/コネクタ

Table with 4 columns: Part No., Description, Location, and Notes. Includes 52207-1490 (Smt) 14P Molex, 52207-1690 (Smt) 16P Molex, etc.

Table with 4 columns: Part No., Description, Location, and Notes. Includes IL-S-7P-S2L2-EF 7P JAE, IL-S-7P-S2T2-EF 7P JAE, etc.

Table with 4 columns: Part No., Description, Location, and Notes. Includes IL-S-10P-S2T2-EF 10P JAE.

WIRING, CABLE/ワイヤリング, ケーブル

Table with 4 columns: Part No., Description, Location, and Notes. Includes Wiring Assy 1-2-1 8P MB ↔ SB, Wiring Assy 1-2-2 7P MB ↔ SB, etc.

TRANSFORMER/トランス

Table with 4 columns: Part No., Description, Location, and Notes. Includes Power Transformer/Pワートランス on AP.

AC INLET/AC インレット

Table with 4 columns: Part No., Description, Location, and Notes. Includes CM-11 3P, PA-126 2P.

SCREWS/ネジ類

Table with 4 columns: Part No., Description, Location, and Notes. Includes Nut 501 10mm/ナガナット カットツキ, FP-8 Screw Set for Music Rack/譜面タテ用ネジセット, etc.

MISCELLANEOUS/その他

Table with 4 columns: Part No., Description, Location, and Notes. Includes TLS375 Spacer Board PCB/TLS375用スペーサーボード on SB, TF Rubber TF-FR-SGP/TFラバー on AP, etc.

ACCESSORIES/付属品

Table with 4 columns: Part No., Description, Location, and Notes. Includes DC-357-J01 AC Cord(100V), EC-210-E06 AC Cord(230V), etc.

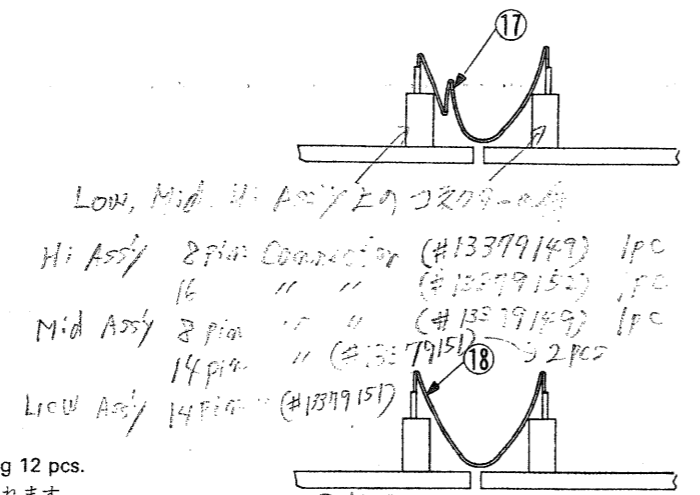
OPTION/別売品

Table with 4 columns: Part No., Description, Location, and Notes. Includes FPS-8 Keyboard Stand, FPS-8(P. 23) for details.

Handwritten note: 22605206 FP-8 5箱

KEYBOARD PARTS LIST/鍵盤パーツリスト

NO	PARTS NUMBER	PARTS NAME
①	22575292	Natural Key A/白鍵 A
	22575293	Natural Key B/白鍵 B
	22575294	Natural Key C/白鍵 C
	22575295	Natural Key D/白鍵 D
	22575296	Natural Key E/白鍵 E
	22575297	Natural Key F/白鍵 F
	22575298	Natural Key G/白鍵 G
	22575299	Natural Key A'/白鍵 A'
	22575300	Natural Key G'/白鍵 G'
②	22575291	Sharp Key/黒鍵
③	22575454	Natural Key Hammer/白鍵ハンマー
④	22575455	Sharp Key Hammer/黒鍵ハンマー

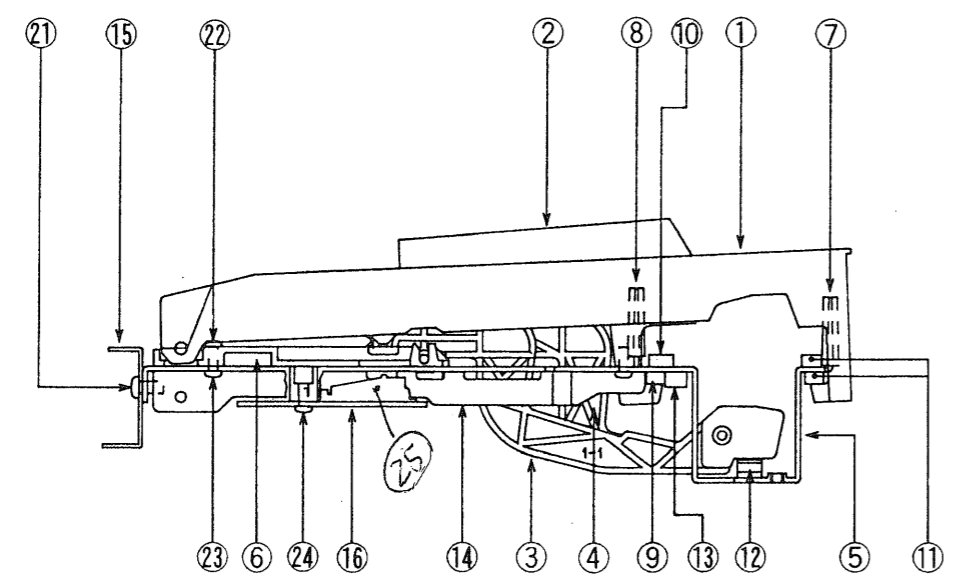
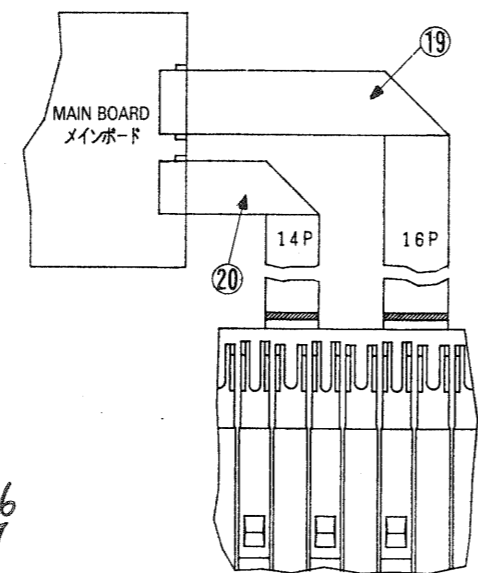


NOTE: Chassis 88P Assy(PNo.22815693) consists of the following 12 pcs.
 注: Chassis 88P Assy(PNo.22815693)は、下記の12部品から構成されます。

⑤	22265478	Chassis 88P 単体
⑥	32565450	Key Base A/キー・ベース A (長)
⑦	32565451	Key Base B/キー・ベース B (短)
⑧	22155784	Guide Bush A/ガイド・ブッシュ A
⑨	22155785	Guide Bush B/ガイド・ブッシュ B
⑩	22265498	Cushion A/クッション A W6mm
⑪	22265499	Cushion B/クッション B W8mm
⑫	22265536	Cushion C/クッション C W6mm
⑬	22265501	Orotex 88P L (yellow)
⑭	22265500	Orotex 88P U (blue)
⑮	22125743	Channel/チャンネル
⑯	22055150	Channel Stand/チャンネル・スタンド
⑰	22265539	Cushion D

NOTE: P.C.B Assy(PNo.7626521000) consists of the following 3 pcs.
 注: P.C.B Assy(PNo.7626521000)は、下記の3部品から構成されます。

⑱	7626522000	PCB 24P LOW Assy
⑲	7626523000	PCB 24P MID Assy 32P
⑲	7626524000	PCB 24P HI Assy 32P
⑳	23475965	Wiring Fuji Card 14X 70-A6.0BB-H10
㉑	23475342	Wiring Fuji Card 8X 60-A6.0BB-H10
㉒	23475341	Wiring Fuji Card 16X300-A4.0BBR-P1.0
㉓	23475340	Wiring Fuji Card 14X300-A4.0BBR-P1.0
㉔	*****	4x 8mm Binding Head Tap tight screw B tight
㉕	*****	3x10mm Binding Head Tap tight screw B tight
㉖	*****	3x 8mm Binding Head Tap tight screw B tight
㉗	*****	3x 6mm Tap tight screw P tight
㉘	22185247	CONTACT RUBBER (for PA-4 Keyboard) 12P.



DISASSEMBLY/分解手順

PA-4: Installing the Key

Locate the key as shown in Fig. 1 and push the dotted area in the direction of arrow A.

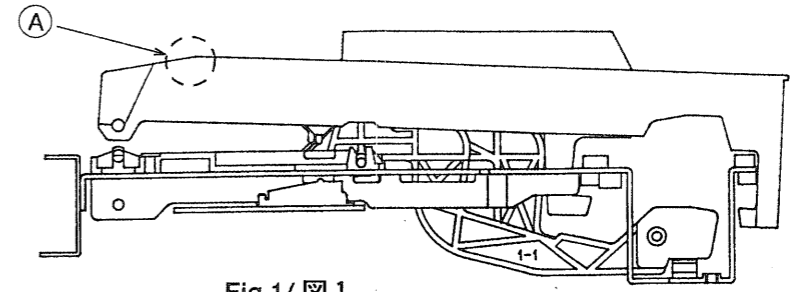


Fig.1/ 図1

PA-4 Keyの取り付け方

• Key を図1のように置き、点線部分を矢印 A の方向に押す。

PA-4: Removing the Key

Hold down the end of the key and insert long-nose pliers into the hatched U-groove in the shaft and push it in the direction of arrow A along the key base below.

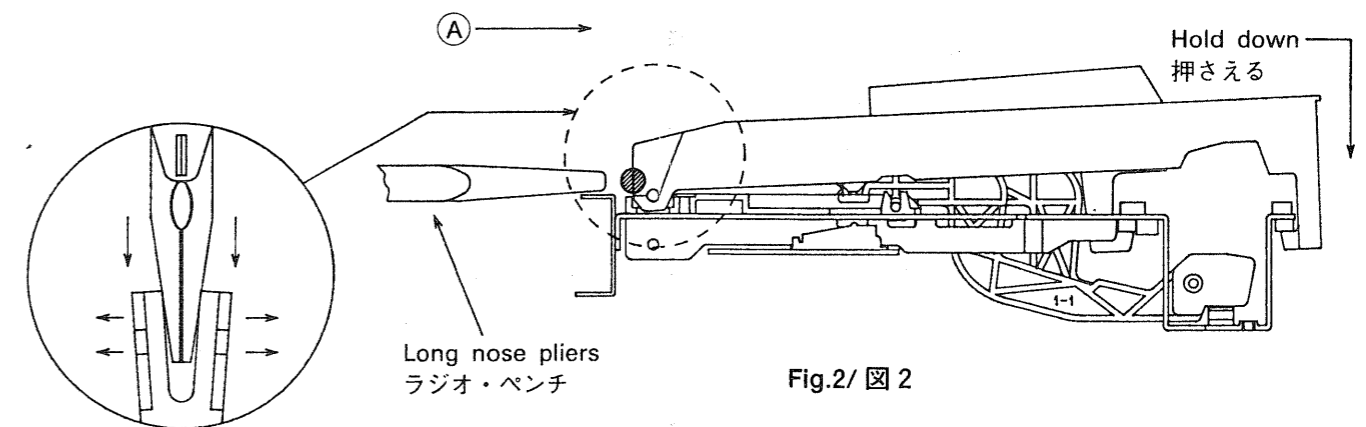


Fig.2/ 図2

PA-4 Keyの取り外し方

• 鍵の先端を押さえながら、軸部側の U 字溝斜線部にラジオペンチを差し込み、下の Key Base に沿わせるように、矢印 A の方向へ押し込む。

PA-4: Installing the Hammers

As shown in Fig. 1, pass the hammers into respective holes in the chassis and fit them into the U-grooves in the key base.

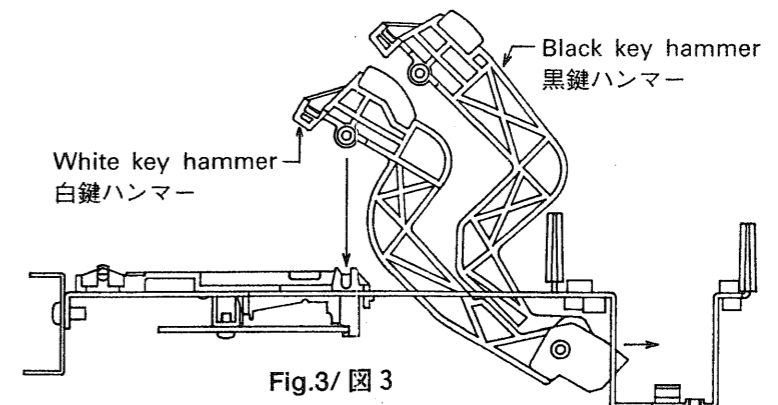
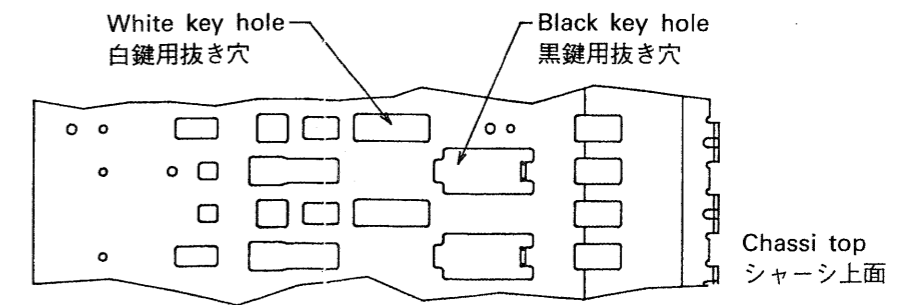


Fig.3/ 図3

PA-4 ハンマーの取り付け方

• 図3のように、ハンマーをそれぞれのシャーシ抜き穴に通して、Key Base U 溝に落とし込む。



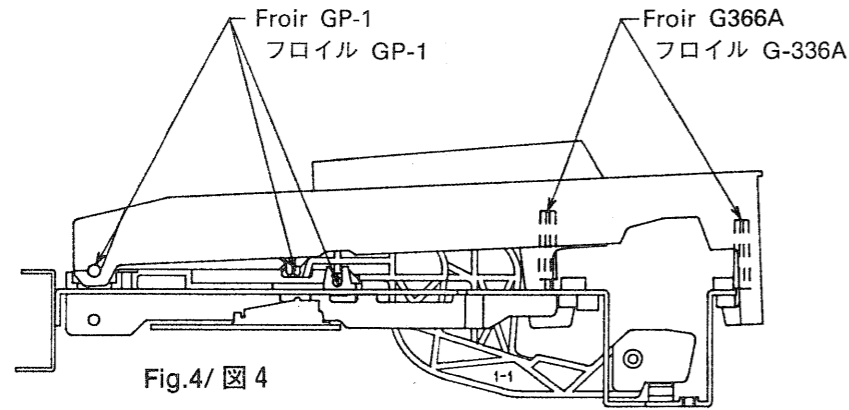
Chassi top シャーシ上面

PA-4: Greasing Points

After the keys and hammers have been changed, the predetermined grease must be applied to the points indicated in Fig. 4.

PA-4 グリス塗布箇所

・鍵、ハンマーを交換した際には、必ず図4に示す箇所に所定のグリスを塗布すること。

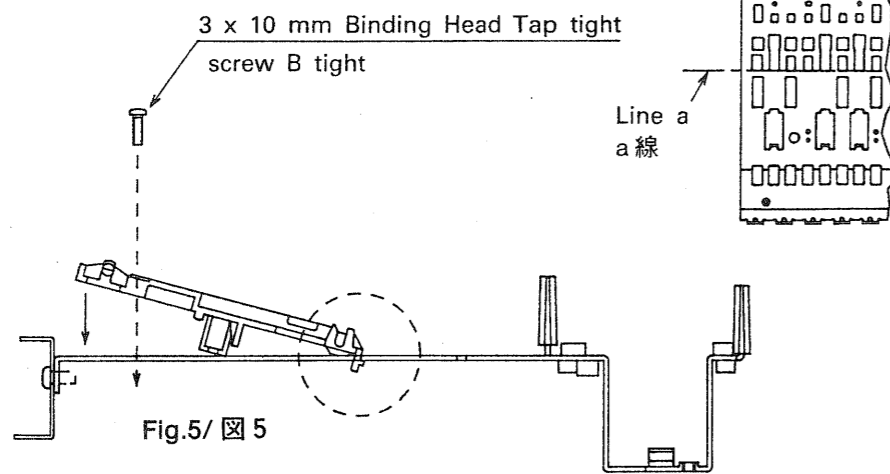


PA-4: Installing the Key Base

As shown in Fig. 5, press the key base on line a of the holes in the chassis and tighten it with screws.

PA-4 KEY BASEの取り付け方

・図5のようにKey Baseをシャーシ抜き穴のa線に突き当て、ネジ止めをする。



PA-4: Installing the Board

As shown in Fig. 6, press the board against hook b of the key base and tighten it with screws. *For the rubber contact layout, see the separate drawing.

PA-4 基板の取り付け方

・図6のように、基板をKey Baseフック部bに突き当て、ネジ止めをする。*ゴム接点配置は、別紙図面参照のこと。
 ・ネジ止めは、丸穴（位置決め穴）から順に止めること。
 ・ネジ止めをする際は、なるべく手で締め付けること。（ねじバカになりやすいので、注意すること）
 ・電気ドライバーを使用の際は、トルク目盛り1以下で締め付けること。

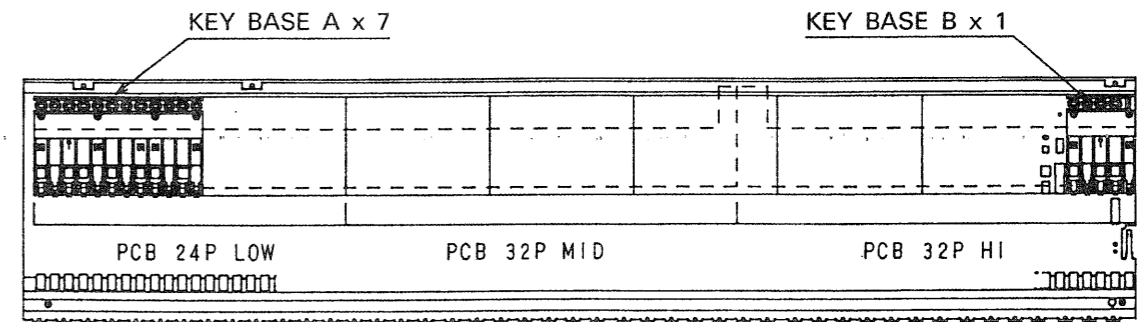
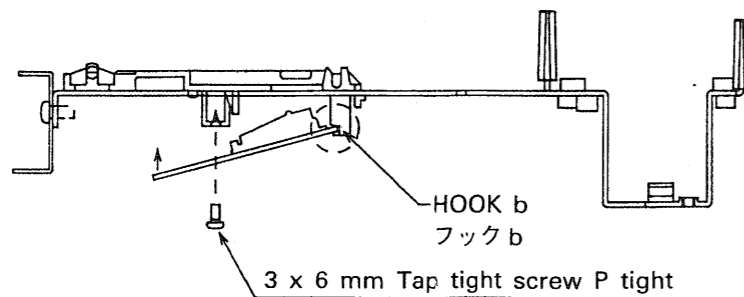


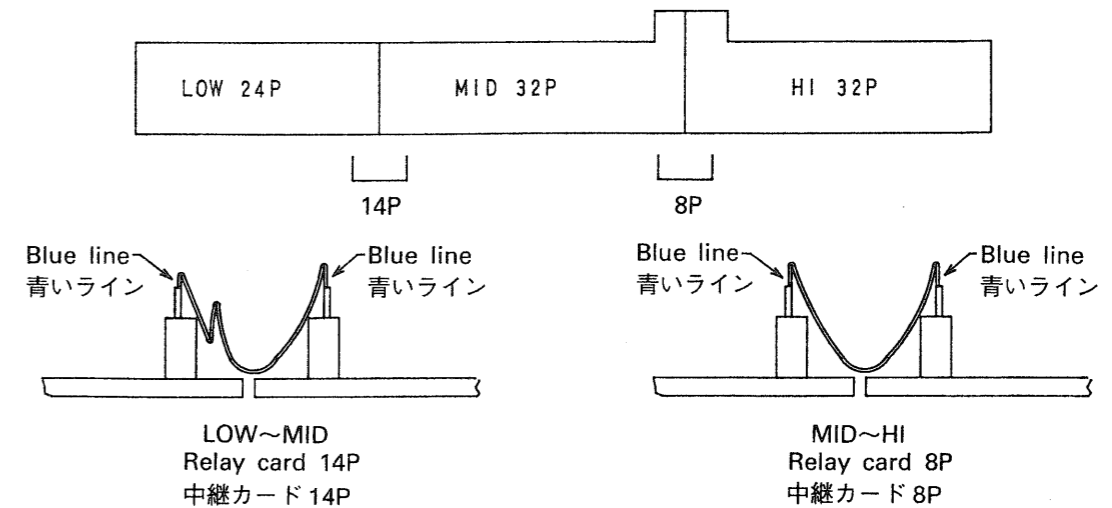
Fig.7/ 図7

PA-4: Installing the Card

When the board relay card has been removed, assemble it to the body after folding it as shown below.

PA-4 カード取り付け方

・基板中継カードを取り外した場合は、下図のように折り曲げてから、本体に組込むこと。



When removing the keyboard from the body, remove it from the lockable connectors in the main board. (It is suggested to set the body as shown in Fig. 9.) When reassembling, be sure to lock the connectors. (Also ensure that the card remains installed in the keyboard.)

・本体から鍵盤を取り外す場合は、メインボード側のロック付きコネクタから取り外すこと。（本体を図9のような状態にした方がやり易い）
 ・再組立の際、コネクタのロックを忘れないこと。（鍵盤側のカード抜けにも注意すること）

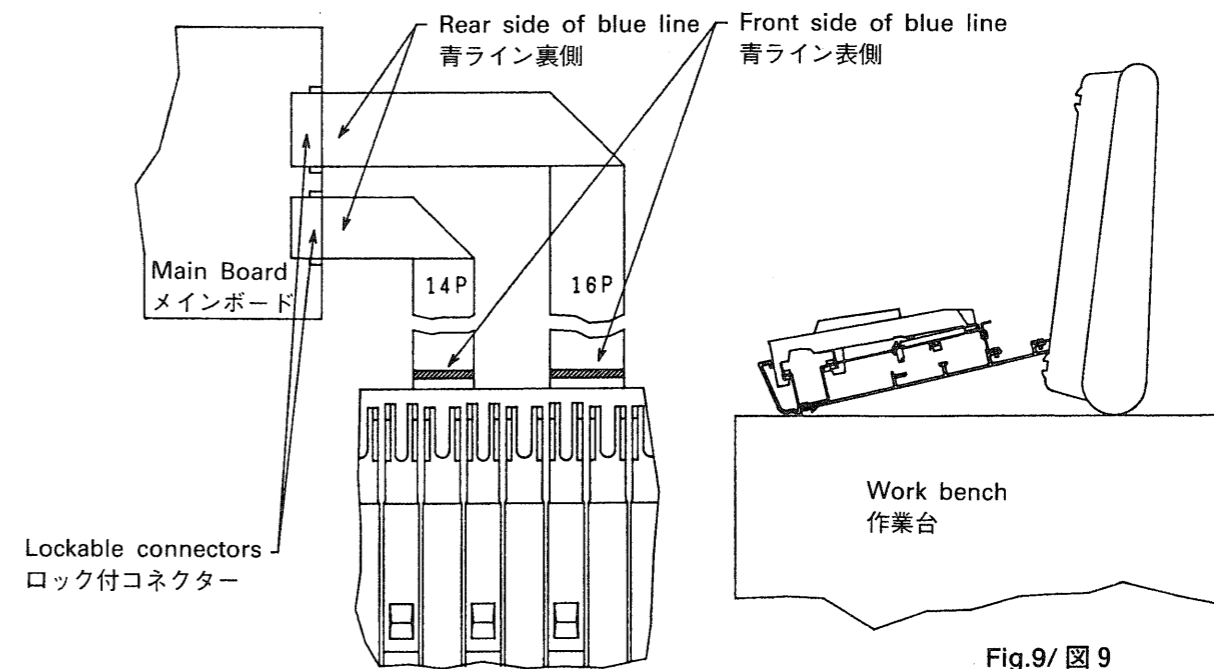


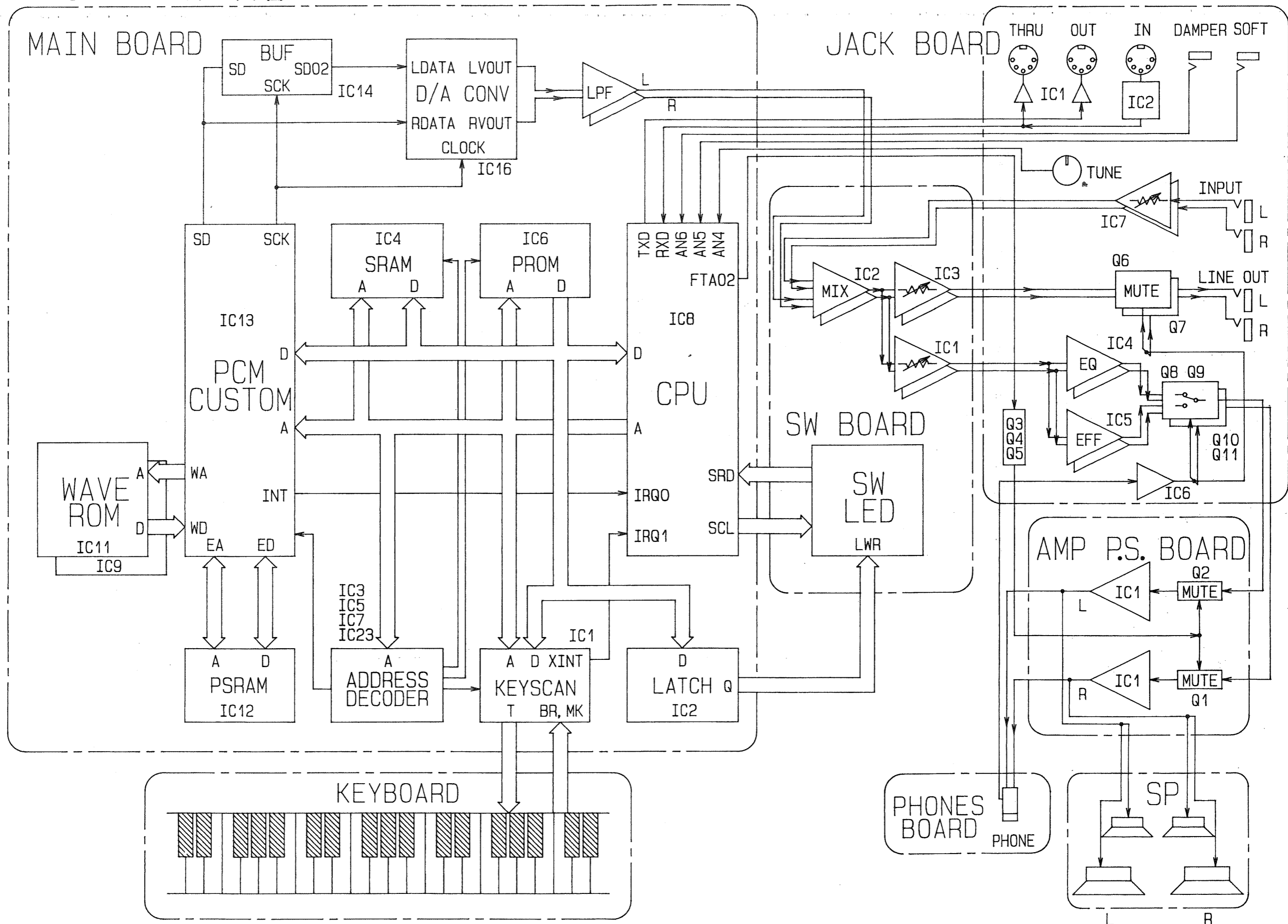
Fig.8/ 図8

Fig.9/ 図9

1 2 3 4 5 6 7 8 9 10 11 12 13 14 15 16 17 18 19 20 21 22 23 24 25 26 27 28 29 30

A
B
C
D
E
F
G
H
I
J
K
L
M
N
O
P
Q
R
S
T
U

BLOCK DIAGRAM/ブロック図



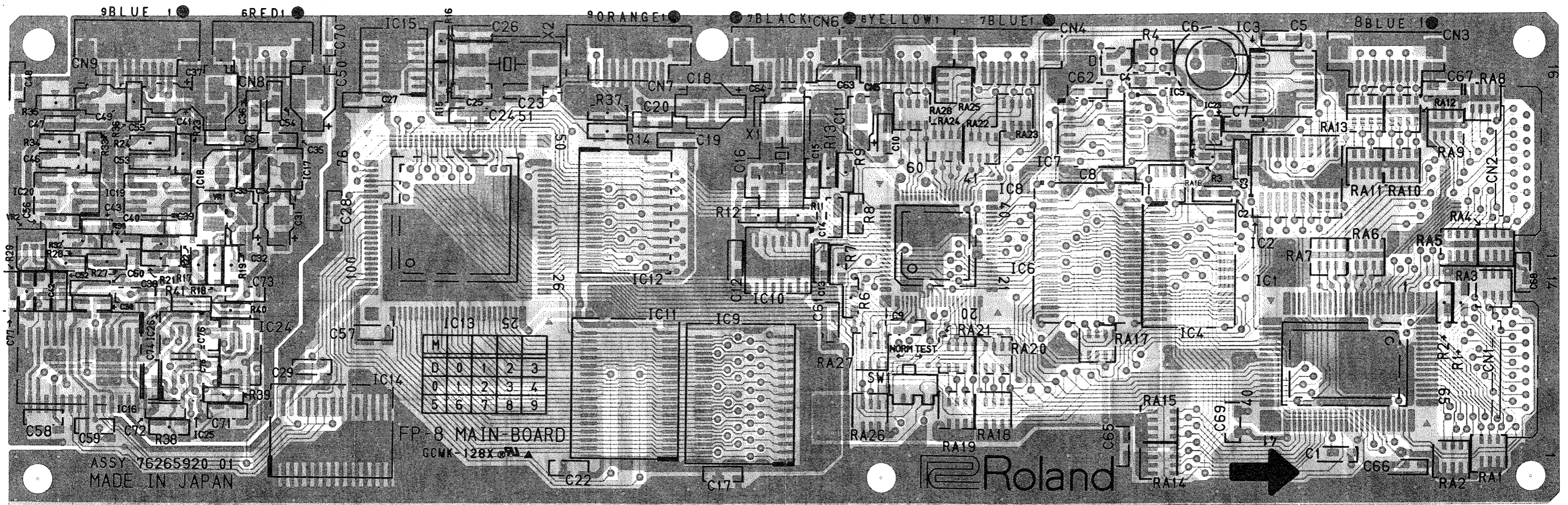
1 2 3 4 5 6 7 8 9 10 11 12 13 14 15 16 17 18 19 20 21 22 23 24 25 26 27 28 29 30

A
B
C
D
E
F
G
H
I
J
K
L
M
N
O
P
Q
R
S
T
U

E MAIN BOARD ASS'Y

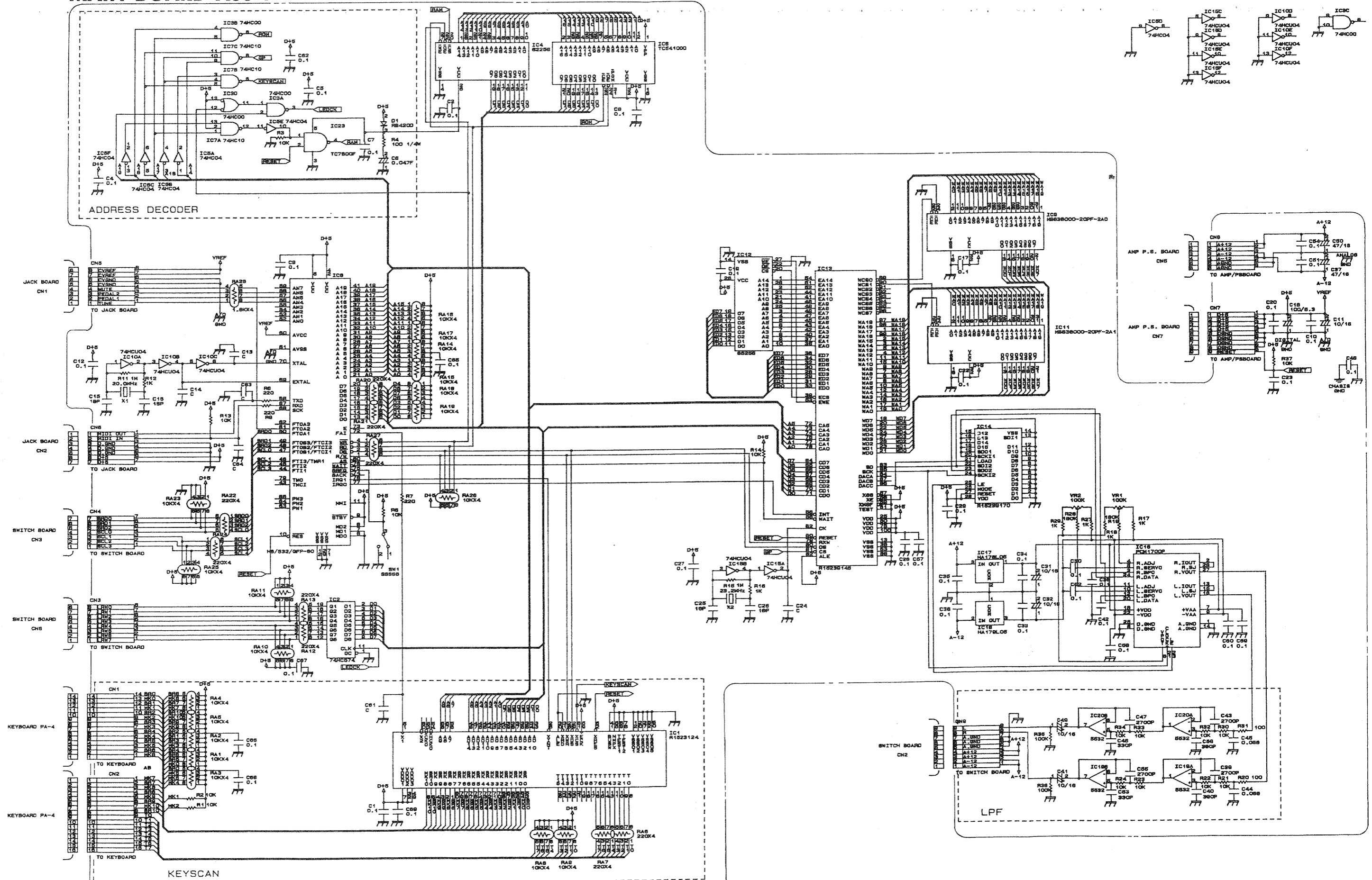
ASSY 7626592000

(pcb 22935113)

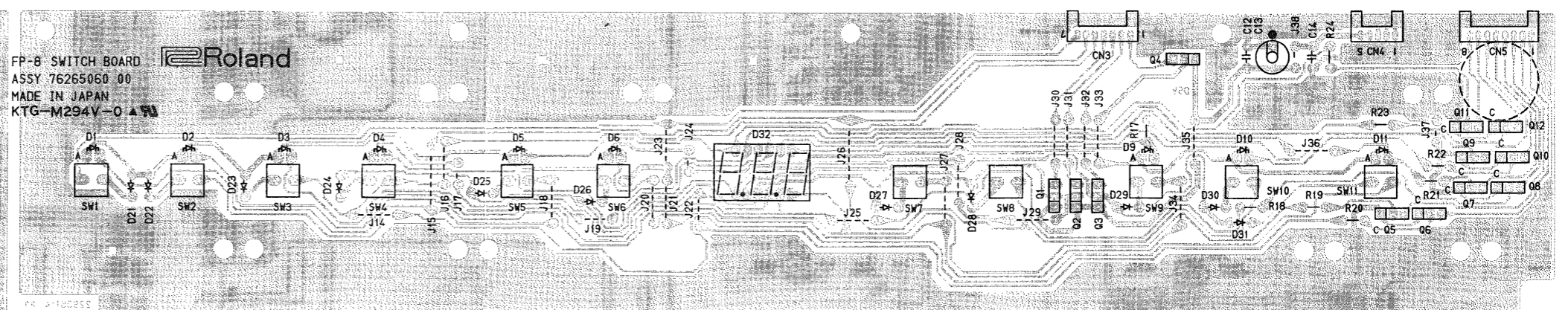
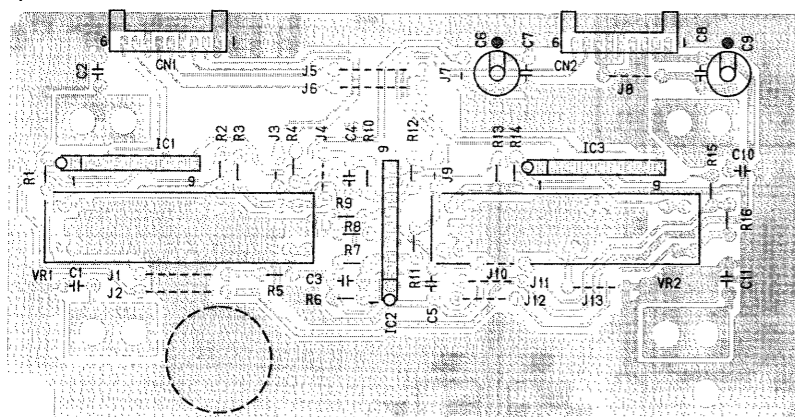


View from component side

MAIN BOARD ASS'Y



SWITCH BOARD ASS'Y
 ASSY 7626506000
 (pcb 22935114)

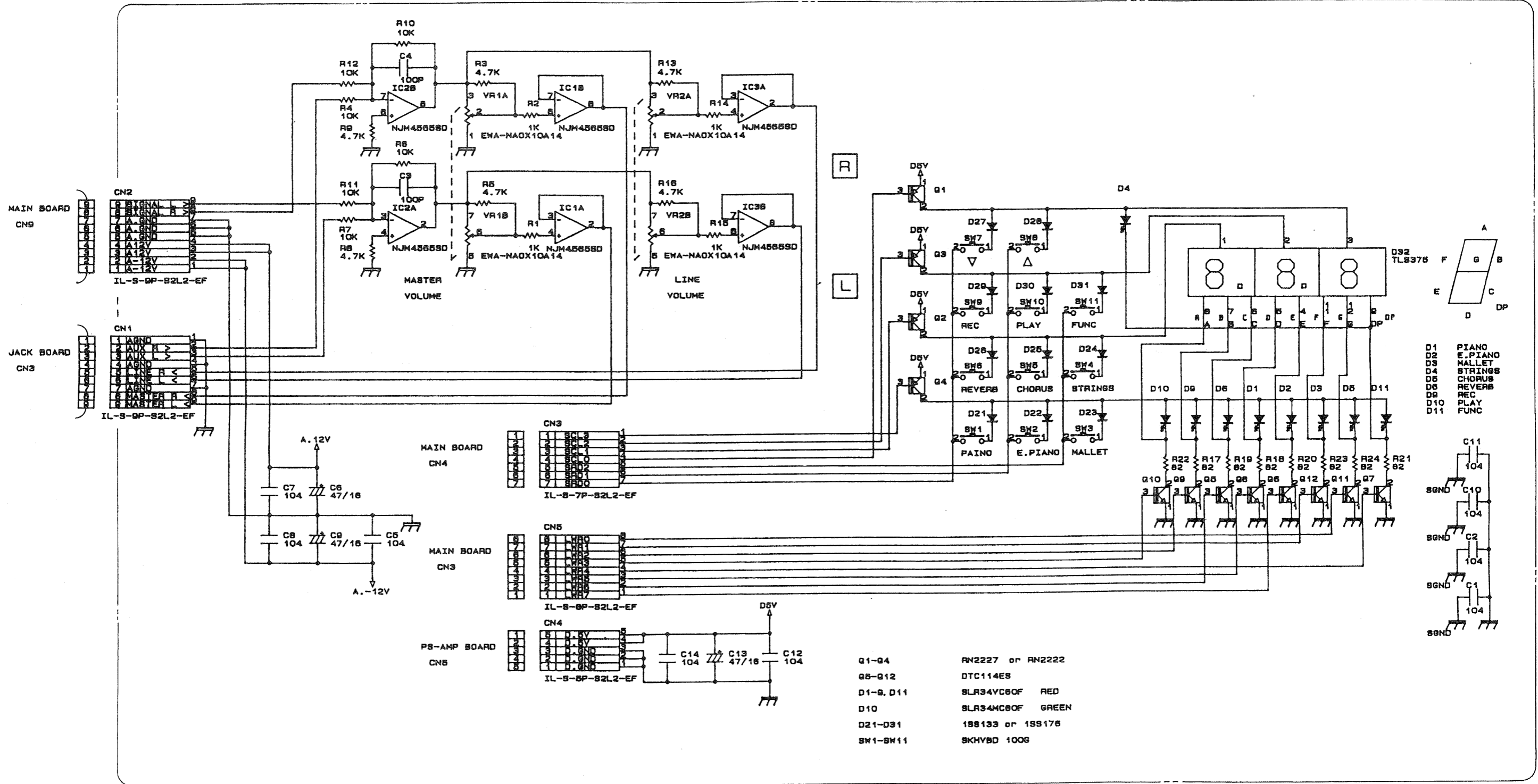


View from component side

1 2 3 4 5 6 7 8 9 10 11 12 13 14 15 16 17 18 19 20 21 22 23 24 25 26 27 28 29 30

A
B
C
D
E
F
G
H
I
J
K
L
M
N
O
P
Q
R
S
T
U

SWITCH BOARD ASS'Y



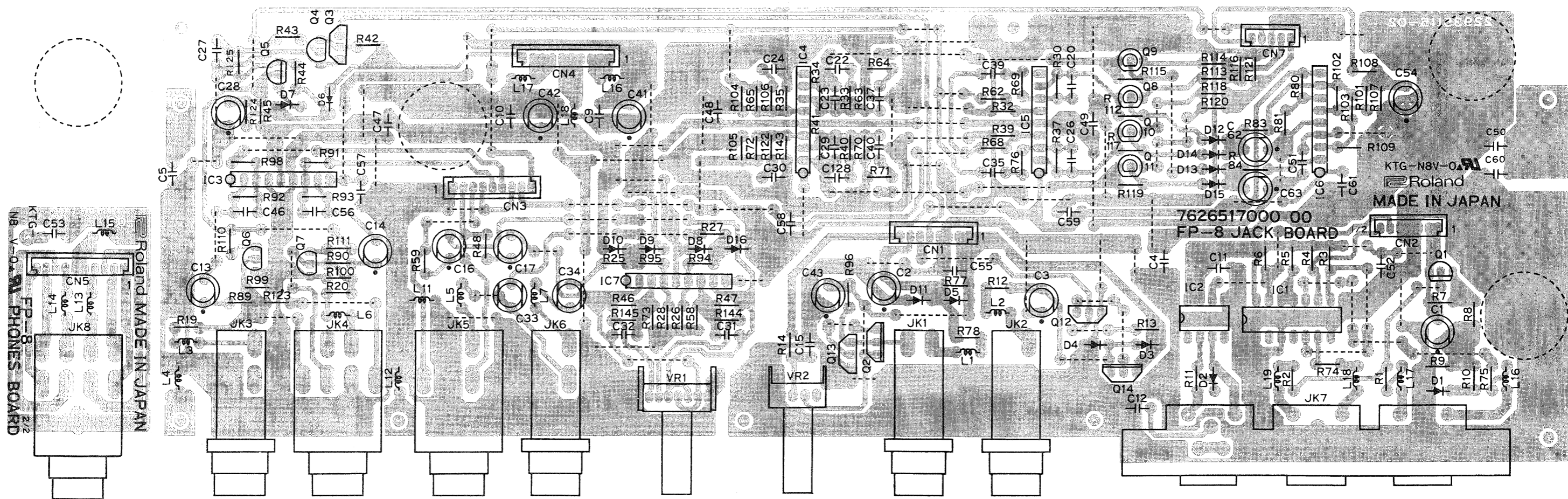
1 2 3 4 5 6 7 8 9 10 11 12 13 14 15 16 17 18 19 20 21 22 23 24 25 26 27 28 29 30

REPLACEMENT/補修用

JACK BOARD ASS'Y
ASSY 7626517000
(pcb 22935115)

- ◆ Replacement JACK BOARD ASS'Y includes PHONES BOARD.
- ◆ 補修用 JACK BOARD ASS'Y は PHONES BOARD を含みます。

JACK BOARD ASS'Y
ASSY 7626517000



View from component side

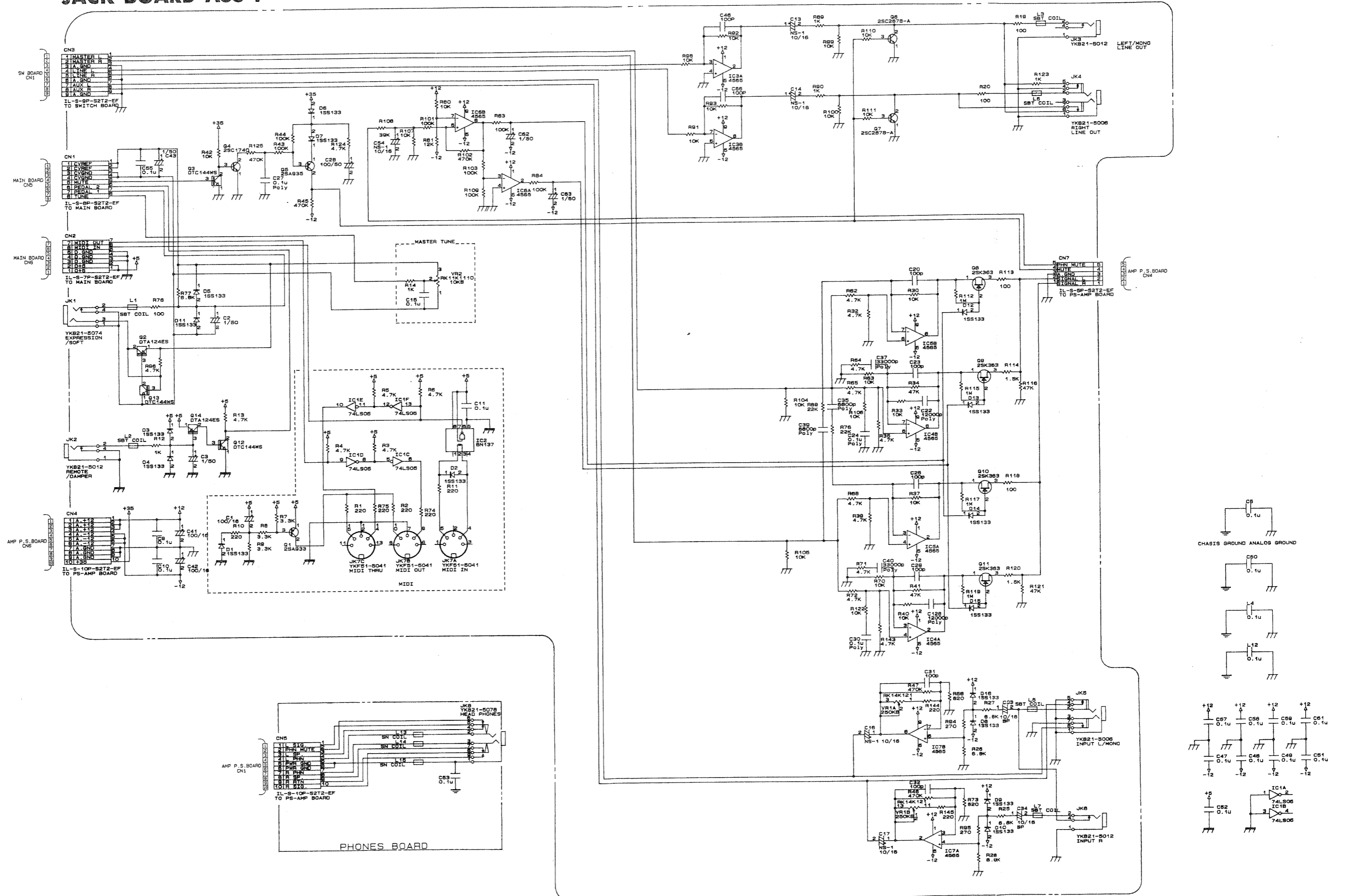
↑
PHONES BOARD
(pcb 22935115)

↑
JACK BOARD
(pcb 22935115)

1 2 3 4 5 6 7 8 9 10 11 12 13 14 15 16 17 18 19 20 21 22 23 24 25 26 27 28 29 30

A
B
C
D
E
F
G
H
I
J
K
L
M
N
O
P
Q
R
S
T
U

JACK BOARD ASS'Y



AMP PS BOARD ASS'Y (230/240V) ASSY 76265124000

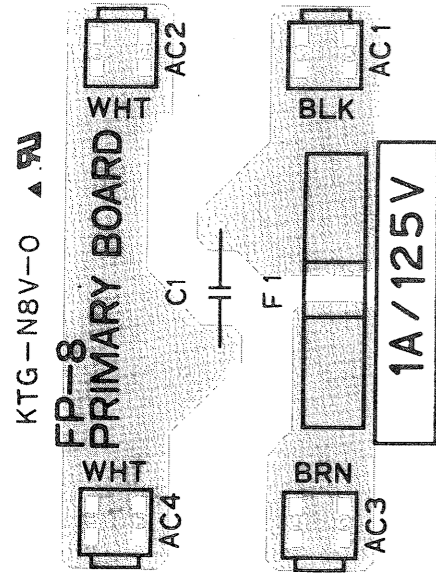
SMALL BOARD

(pcb 22935116 2/3)

REPLACEMENT/補修用

AMP PS BOARD ASS'Y
ASSY 76265124000
(pcb 22935116 1/3)

- ◆ Replacement AMP PS BOARD ASS'Y includes SMALL BOARD and PRIMALY BOARD.
- ◆ 補修用 AMP PS BOARD ASS'Y は SMALL BOARD と PRIMALY BOARD を含みます。

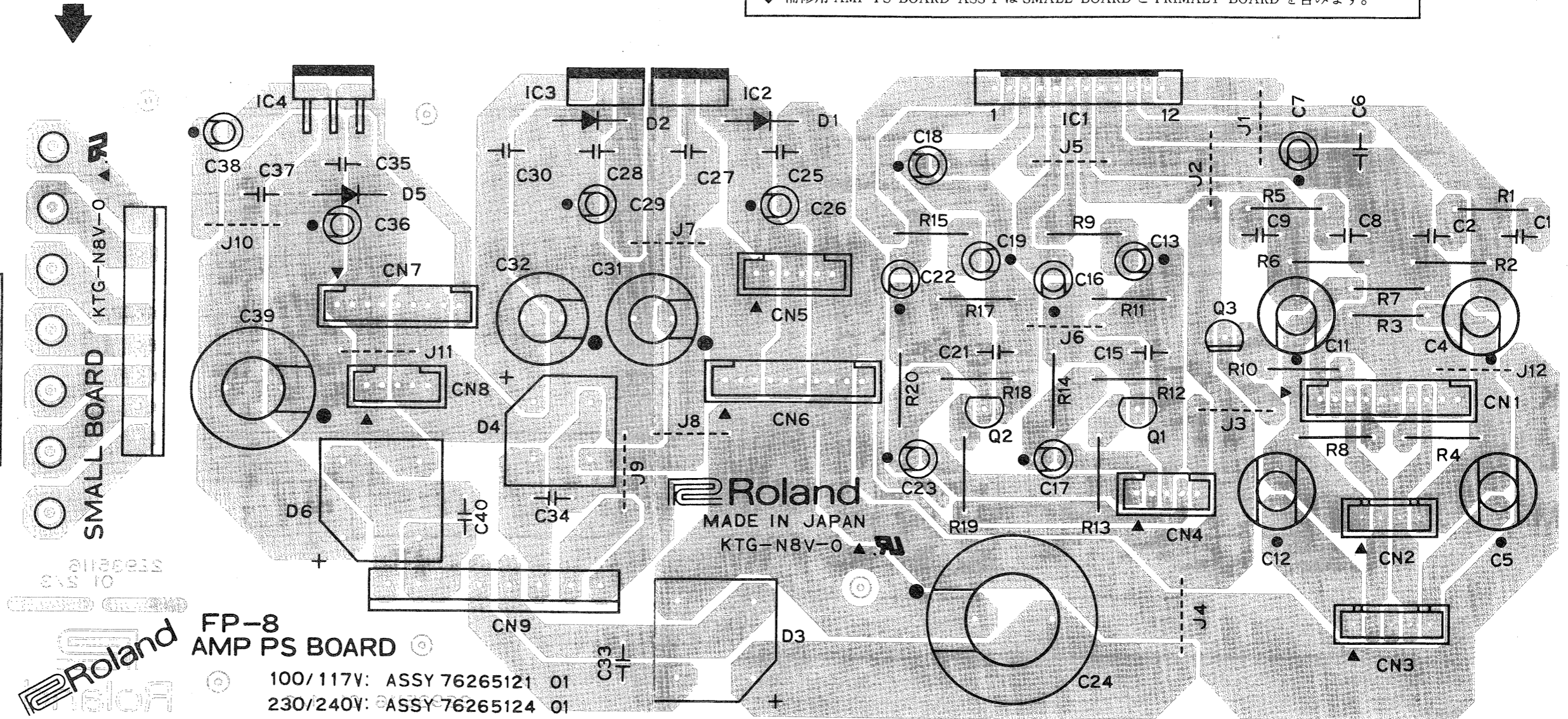


100/117V
ASSY 76265121 01

230/240V
ASSY 76265124 01

PRIMALY BOARD

(pcb 22935116 3/3)



FP-8 AMP PS BOARD

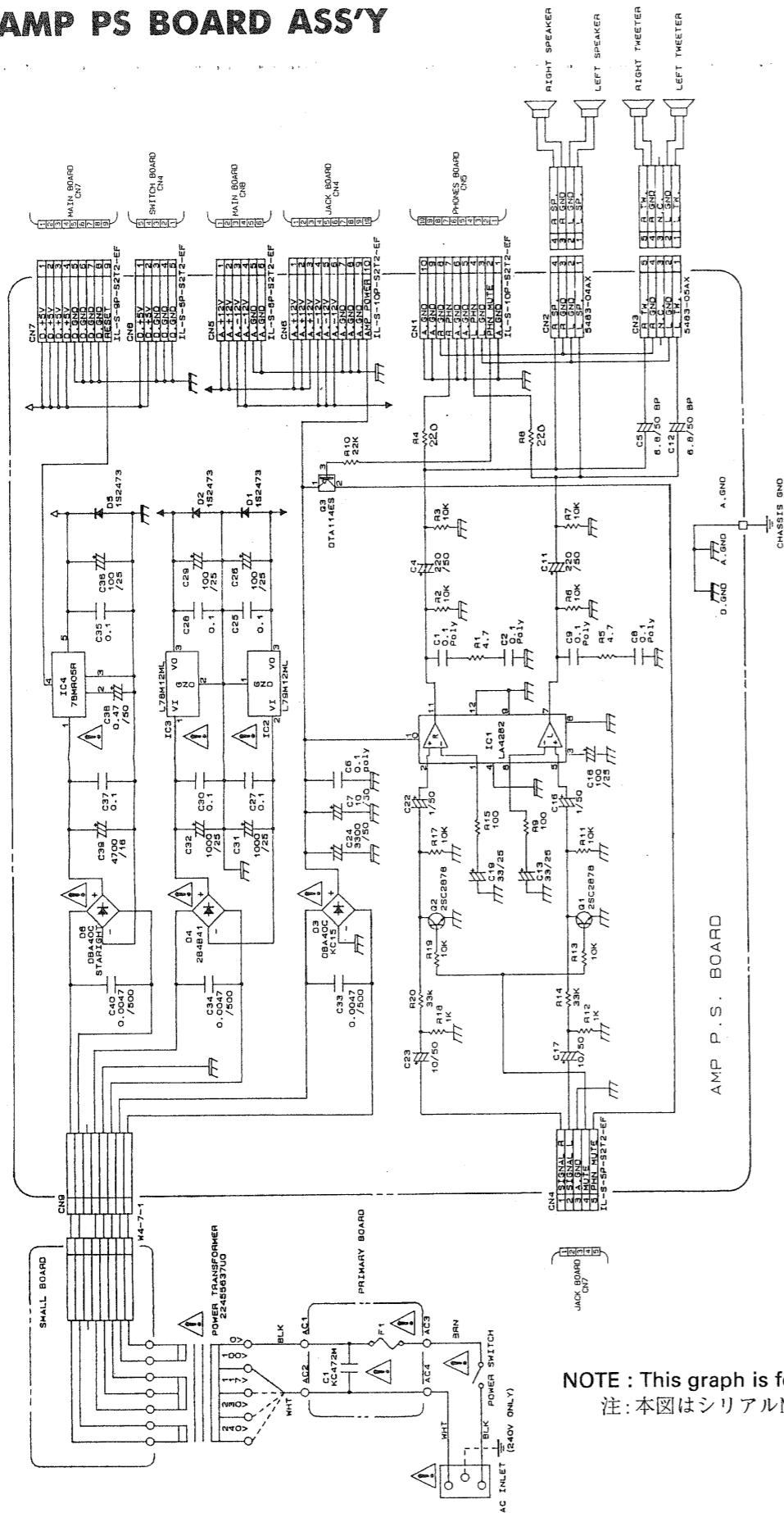
100/117V: ASSY 76265121 01
230/240V: ASSY 76265124 01

View from component side

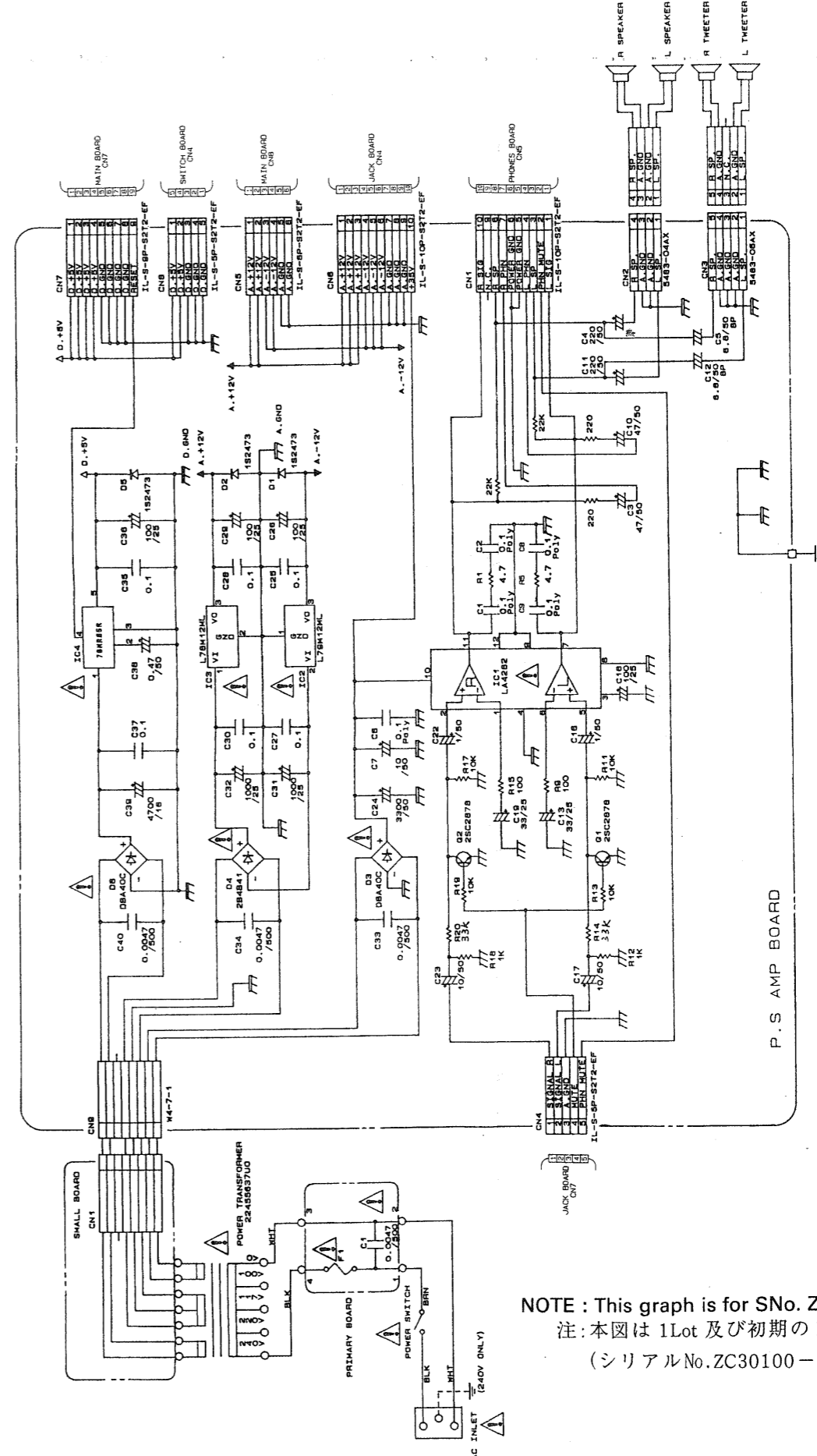
AMP PS BOARD

(pcb 22935116 1/3)

AMP PS BOARD ASS'Y



NOTE : This graph is for SNo. ZC40200-up.
 注: 本図はシリアルNo. ZC40200 以降に有効である。



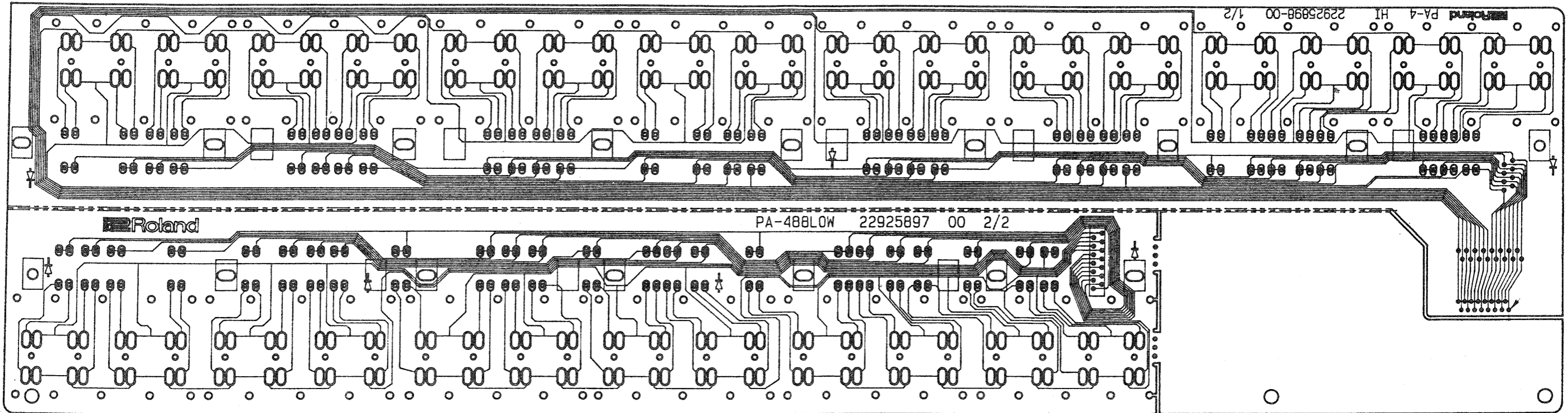
NOTE : This graph is for SNo. ZC30100-ZC30199.
 注: 本図は 1Lot 及び初期の Lot 外にのみ有効とする。
 (シリアルNo. ZC30100-ZC30199)

1 2 3 4 5 6 7 8 9 10 11 12 13 14 15 16 17 18 19 20

A B C D E F G H I J K L M N O P Q R S T U

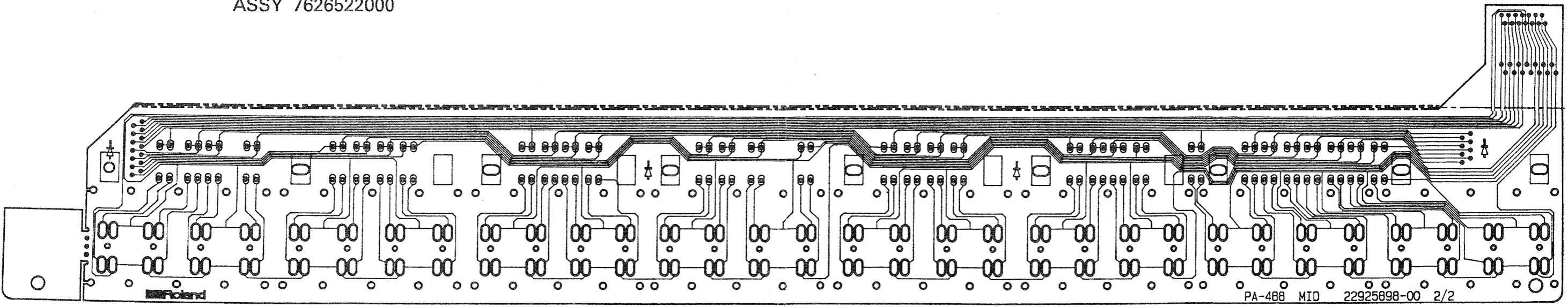
1 2 3 4 5 6 7 8 9 10 11 12 13 14 15 16 17 18 19 20 21 22 23 24 25 26 27 28 29 30

32P
PCB 24P HI ASS'Y
ASSY 7626524000



View from component side

PCB 24P LOW ASS'Y
ASSY 7626522000



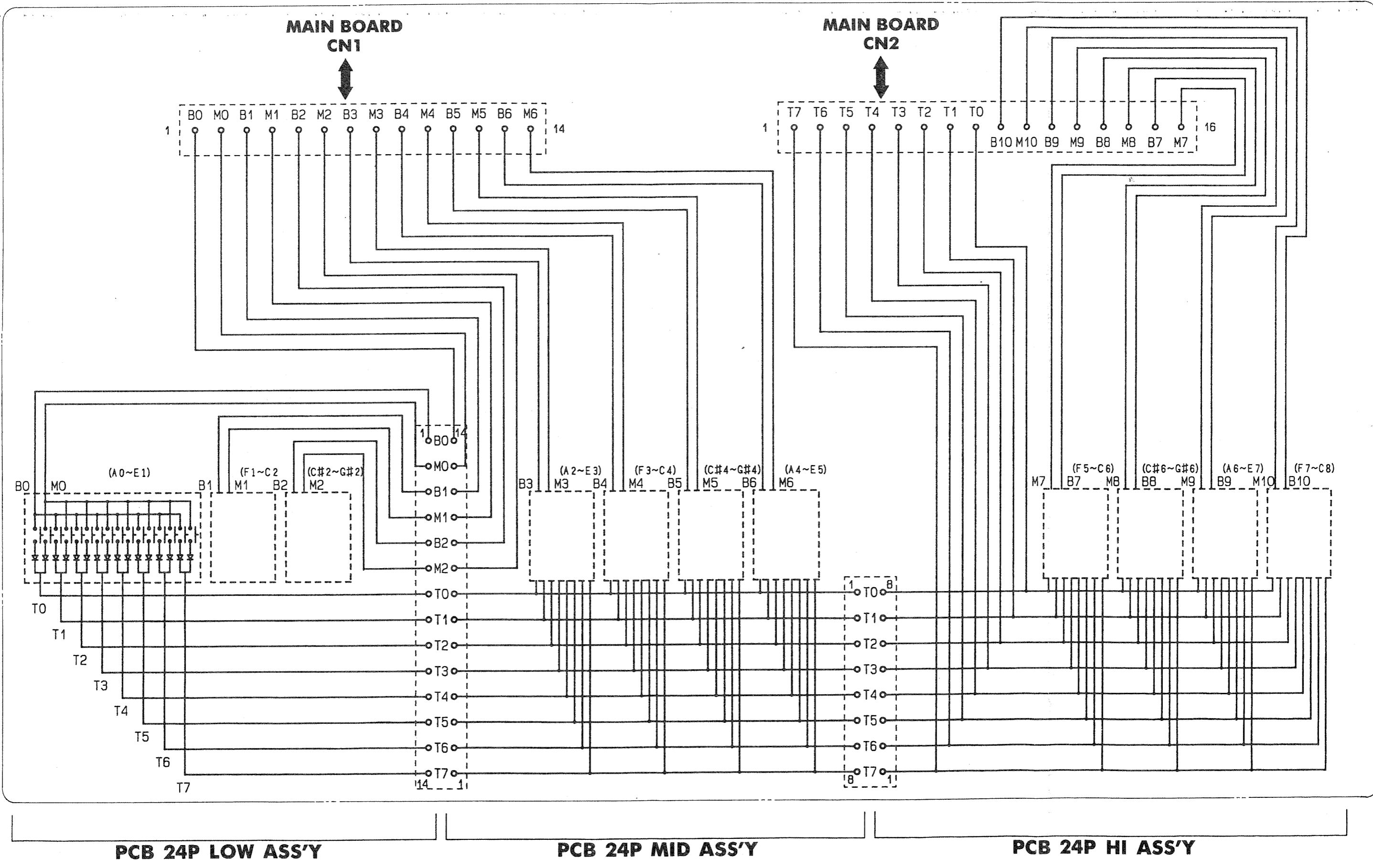
View from component side

32P
PCB 24P MID ASS'Y
ASSY 7626523000



1 2 3 4 5 6 7 8 9 10 11 12 13 14 15 16 17 18 19 20 21 22 23 24 25 26 27 28 29 30

A
B
C
D
E
F
G
H
I
J
K
L
M
N
O
P
Q
R
S
T
U



Loading the Factory Preset/ファクトリー・プリセットのロードの方法

Note: The FP-8 does not allow the user data to be stored into the MIDI sequencer using the MIDI. But after presetting the FP-8 factory-set condition, the data is saved on FP-8.

1. Press the [FUNC] button.
2. Then hold down the [PIANO] button and press the [FUNC] button. The 7-segment LED displays "CLr", indicating that the FP-8 has returned to the factory-set condition.

The FP-8 is factory-set as shown below:

Sound/音色	PIANO
VARIATION	1
CHORUS	OFF
REVERB	OFF
MIDI ch	1

Table 1/表1

注意：FP-8は、レコーダー・データを、MIDIシーケンサーに保存できませんがこのプリセット後でもデータは本体に残ります。

1. [FUNC]ボタンを押して下さい。
2. 次に、[PIANO]ボタンを押しながら、[FUNC]ボタンを押すと、7セグメントLEDに"CLr"と表示され、工場出荷時の状態になります。

工場出荷時に、FP-8は下記のように設定されています。

TEST MODE/テストモード

◇Equipment Required

DP-2 (foot pedal), FV-50 (volume pedal), MIDI cable, oscilloscope, measuring jig (see Fig. 1), blank plug

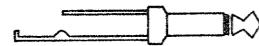


Fig. 1/図1

◇用意するもの

- DP-2(フット・ペダル)、• FV-50(ボリューム・ペダル)、
- MIDIケーブル、• オシロスコープ、• 測定治具(図1参照)、• 空プラグ、

This type is mono open plug.
これは、モノ空プラグです。

◇Entering the Test Mode

Enter the test mode in either of the following two ways:

1. Start-up from the panel
 - a). Press the [FUNC] button.
 - b). Using the [VARIATION ▲] button, display "3" on the 7-segment LED.
 - c). Hold down the [PIANO] and [MALLET] buttons simultaneously and press the [PLAY] button.
 - d). The 7-segment LED displays the following, indicating that the FP-8 has entered the test mode:

"J I G" → "8.8.8"

◇テスト・モードへの入り方

テスト・モードへの入り方には、下記の2通りがあります。

1. パネル上からの立ち上げ
 - a). [FUNC]ボタンを押します。
 - b). [VARIATION ▲]ボタンを使用して、7セグメントLEDに"3"を表示させます。
 - c). [PIANO]ボタン、[MALLET]ボタンを同時に押さえながら、[PLAY]ボタンを押します。
 - d). 7セグメントLEDに、下記のように表示されて、テストモードになります。

"J I G" → "8.8.8"

2. Start-up from the main board

- a). Set the mode switch (SW1: for its position, see Fig. 2) on the main board to the "TEST" position.
- b). Switch the power on. The 7-segment LED then displays the following, indicating that the FP-8 has entered the test mode:

"J I G" → "8.8.8"

◇Leaving the Test Mode

1. When the test mode has been started up from the panel

When all tests are finished, press the [FUNC] button again to return to the normal mode.

2. When the test mode has been started up from the main board

Set the mode switch (SW1: for its position, see Fig. 2) on the main board to the "NORM" position, and switch the power on again.

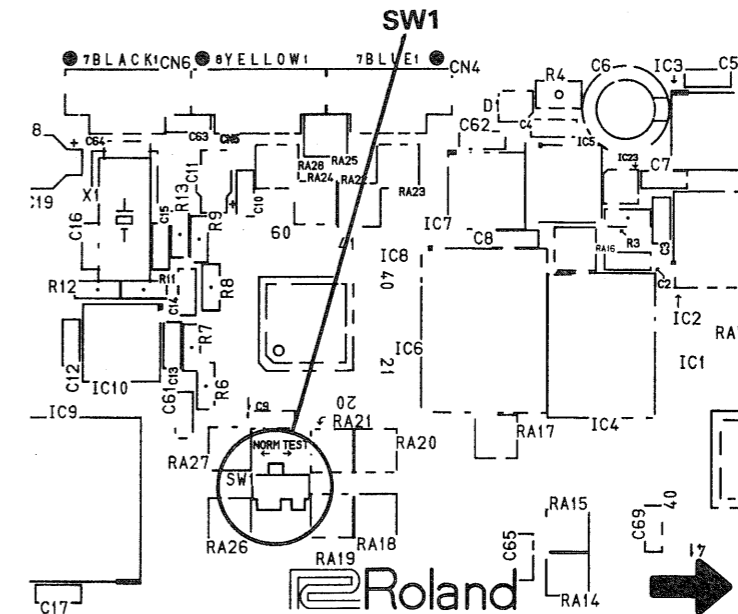


Fig. 2/図2

◇Check Items

The FP-8 includes the following five check items and one adjustment:

- MODE 0: SW/LED check
- MODE 1: Pedal, MIDI check
- MODE 2: TUNE VR check
- MODE 3: Tone check
- MODE 4: PANNING check
- MODE 5: D/A MSB adjustment

Pressing the [FUNC] button switches from "MODE 0" to "MODE 5" in sequence. Make the above checks in the following procedures:

2. MAIN BOARD 上からの立ち上げ

- a). MAIN BOARD 上のモードスイッチ (SW 1 : 位置は、図2参照)を"TEST"側に切り替えます。
- b). 電源を、"ON"にします。すると、7セグメントLEDに、下記のように表示されて、テストモードになります。

"J I G" → "8.8.8"

◇テスト・モードからの抜け方

1. パネル上からテストモードを立ち上げた場合

全てのテストを終了した時、再度、[FUNC]ボタンを押すと、通常モードに戻ります。

2. MAIN BOARD 上からテストモードを立ち上げた場合

MAIN BOARD 上のモードスイッチ (SW 1 : 位置は、図2参照)を"NORM"側に切り替えて、再度、電源を"ON"にします。

◇チェック項目

FP-8には、下記の5つのチェック項目と1つの調整が内蔵されています。

- MODE 0 : SW/LED チェック
- MODE 1 : ペダル, MIDI チェック
- MODE 2 : TUNE VR チェック
- MODE 3 : 音色チェック
- MODE 4 : PANNINGチェック
- MODE 5 : D/A MSB 調整

[FUNC]ボタンを押すと、"MODE 0"から"MODE 5"まで順次切り替わっていきます。各チェックの実行方法は、各チェック項目を参照して下さい。

MODE 0: SW/LED check

[7-segment LED display: [B.B.B]]

1. Make sure that all LEDs are lit.
2. Press each switch (with the exception of the "FUNC" button and [VARIATION ▲/▼] button) and make sure that the corresponding LED goes off.
3. Press the [VARIATION ▼] button and ensure that the lower half "u.u.u" of the 7-segment LED goes off. Press the [VARIATION ▲] button and make sure that the upper half "□□□" of the 7-segment LED goes off.

MODE 1: Pedal MIDI check

[7-segment LED display: [J.0.1.]]

1. Plug the DP-2 into the [PEDAL/DAMPER] jack, step on the DP-2, and ensure that the [REVERB] button LED is lit.
2. Plug the FV-50 into the [PEDAL/SOFT] jack, step on the FV-50, and make sure that the 7-segment LED display changes from "0" to "127".
3. Connect the [MIDI/IN] jack and [MIDI/OUT] jack with the MIDI cable, and check that the [CHORUS] button LED is lit.

MODE 2: TUNE VR check

[7-segment LED display: [J.0.2.]]

1. When this test is started, a sine wave is generated.
2. Turn the [TUNE] knob and check that the 7-segment LED display changes between "-50" (b position) and "50" (# position).
(The FP-8 is factory-set to a value between "0007" and "0008".)

MODE 3: Tone check

[7-segment LED display: [J.0.3.]]

1. Press the tone buttons ([PIANO], [E. PIANO], [MALLET], [STRING]) and make sure that the corresponding VARIATION 1 tones are generated.
2. Press the effect buttons ([CHORUS], [REVERB]) to switch on/off the corresponding effects. At this time, ensure that the required effect is produced.

MODE 4: PANNING check

[7-segment LED display: [J.0.4.]]

1. Press the [PIANO] button and ensure that a sine wave is generated from the left-hand side speaker. Press the [E. PIANO] button and make sure that a rectangular wave is generated from the right-hand side speaker.

MODE 5: D/A MSB adjustment

[7-segment LED display: [J.0.5.]]

1. Generates a sine wave (approx. 65Hz).
2. In this state, make the MSB adjustment of the D/A converter.
For more information, see "ADJUSTMENT SPECIFICATIONS, D/A MSB ADJUSTMENT" (P. 19).

MODE 0: SW/LED チェック

[7セグメントLEDの表示: [B.B.B]]

1. 全てのLEDが点灯していることを確認して下さい。
2. 各スイッチ ([FUNC]ボタン, [VARIATION ▲/▼]ボタンを除く) を押していくと、そのスイッチに対応するLEDが消灯することを確認して下さい。
3. [VARIATION ▼]ボタンを押すと、7セグメントLEDの下半分 "u.u.u" が消灯し、[VARIATION ▲]ボタンを押すと、7セグメントLEDの上半分 "□□□" が消灯することを確認して下さい。

MODE 1: ペダル, MIDI チェック

[7セグメントLEDの表示: [J.0.1.]]

1. [PEDAL/DAMPER]ジャックに、DP-2を差し込んで、DP-2を踏むと、[REVERB]ボタンのLEDが点灯することを確認して下さい。
2. [PEDAL/SOFT]ジャックに、FV-50を差し込んで、FV-50を踏むと、7セグメントLEDの表示が"0"から"127"に変化することを確認して下さい。
3. [MIDI/IN]ジャックと[MIDI/OUT]ジャックをMIDIケーブルで接続すると、[CHORUS]ボタンのLEDが点灯することを確認して下さい。

MODE 2: TUNE VR チェック

[7セグメントLEDの表示: [J.0.2.]]

1. テストにはいると、サイン波が鳴ります。
2. [TUNE]つまみを回すと、7セグメントLEDの表示が、"-50" (b側) から "50" (#側) までの間で変化するすることを確認して下さい。
(工場出荷時は、"007" ~ "008" の値に設定してあります。)

MODE 3: 音色チェック

[7セグメントLEDの表示: [J.0.3.]]

1. 音色ボタン ([PIANO], [E.PIANO], [MALLET], [STRING]) を押すと、それぞれの音色の VARIATION 1 の音色が鳴ることを確認して下さい。
2. エフェクト・ボタン ([CHORUS], [REVERB]) を押すと、それぞれのエフェクトを ON/OFF できますので、エフェクトがかかるかどうか確認して下さい。

MODE 4: PANNING チェック

[7セグメントLEDの表示: [J.0.4.]]

1. [PIANO]ボタンを押すと、左のスピーカーからサイン波が鳴り、[E.PIANO]ボタンを押すと、右のスピーカーから矩形波が鳴ることを確認して下さい。

MODE 5: D/A MSB 調整

[7セグメントLEDの表示: [J.0.5.]]

1. サイン波 (約65 Hz) が鳴ります。
2. この状態で D/A コンバーターの MSB 調整をおこなって下さい。
詳細は、"調整仕様, D/A MSB調整" (P. 19) を参照して下さい。

ADJUSTMENT SPECIFICATIONS "D/A MSB ADJUSTMENT"/調整仕様 "D/A MSB 調整"

Adjust both the L and R channels.

This adjustment may be made in either of the following two ways.

[Note: Procedure B can be performed without entering the test mode.]

- A). Adjustment looking at the waveform on the oscilloscope
- B). Adjustment using auditory perception while playing the keyboard

- A). Adjustment looking at the waveform on the oscilloscope

- a). Connect the oscilloscope into the [LINE OUT] jack of the channel to be adjusted. Insert the blank plug into the jack of the channel not adjusted. At this time, set the [LINE LEVEL] variable resistor to the maximum position. (Probe: 1:1, 2mV/div, 5mV/div)
- b). Set to the "MODE 5" of the test mode. For the setting procedure, see the "TEST MODE" (P. 18).
- c). Looking at the oscilloscope, turn the corresponding semi-variable resistor (VR 1 = L channel, 2 = R channel. Positions are shown in Fig. 2) (P. 20) on the main board until the waveform as shown in Fig. 1 appears.

- B). Adjustment using auditory perception while playing the keyboard

- a). Switch the power on and set to the tone of "E. PIANO/VARIATION 1" or "PIANO/VARIATION 1/REVERB-ON".
- b). Strike any key in an about one octave higher position from the center of the keyboard.
- c). Listening to the sound from the speaker or headphone, adjust the semi-variable resistor (VR1, VR2) (P. 20) on the main board. Stop turning the semi-variable resistor where the sound generated is the clearest.

調整は、L, R 両チャンネルにおこなって下さい。
調整方法は、下記の2通りがあります。

[注: 方法 B) は、テストモードに、はいらなくても実行できます]

- A). オシロスコープにより波形を見て調整
- B). 鍵盤を弾き、聴感により調整

各々の実行方法は、各項目を参照して下さい。

- A). オシロスコープにより波形を見て調整

- a). 調整したいチャンネルの[LINE OUT]ジャックにオシロスコープを接続して下さい。
調整をおこなわないチャンネルのジャックには、空プラグを差し込んでおいて下さい。
この時、[LINE LEVEL]ボリュームは最大にしておいて下さい。
(プローブ: 1:1, 2 mV/div, 5 mV/div)
- b). テストモードの "MODE 5" に設定して下さい。
設定の方法は、"テストモード" (P. 18) を参照して下さい。
- c). オシロスコープを見ながら、図1の様な波形になるように、MAIN BOARD上の半固定 (VR 1 = Lch, VR 2 = Rch, 位置は、図2参照) (P. 20) を回して調整して下さい。

- B). 鍵盤を弾き、聴感により調整
 - a). 電源を "ON" にして、"E.PIANO/VARIATION 1", あるいは、"PIANO/VARIATION 1/REVERB-ON" の音色に設定して下さい。
 - b). 鍵盤中央より、1オクターブぐらい高音側の任意のキーを弾いて下さい。
 - c). スピーカー、あるいは、ヘッドホンの音を聞きながら、MAIN BOARD上の半固定 (VR1, VR2) (P. 20) を調整して下さい。半固定を回して、音が最も澄んで聞こえるところにあわせて下さい。

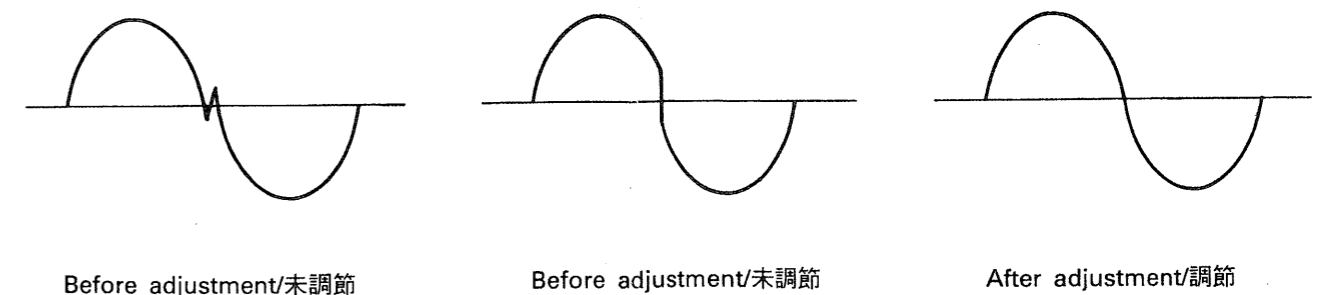


Fig. 1/図1

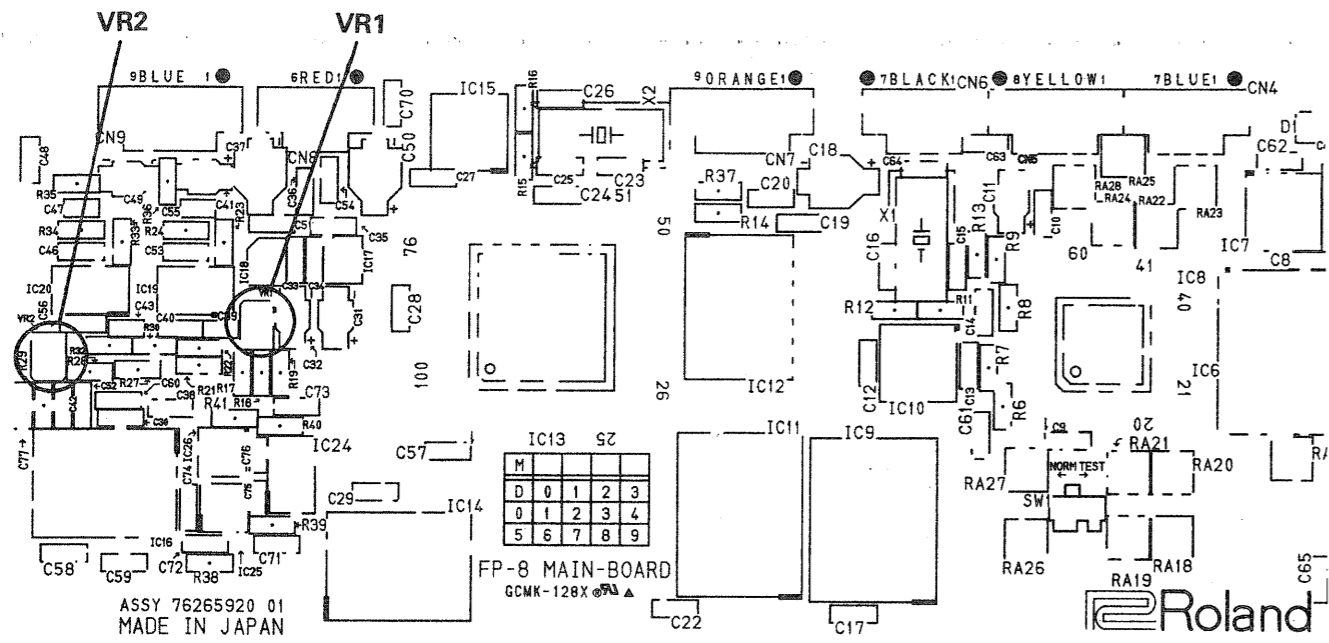
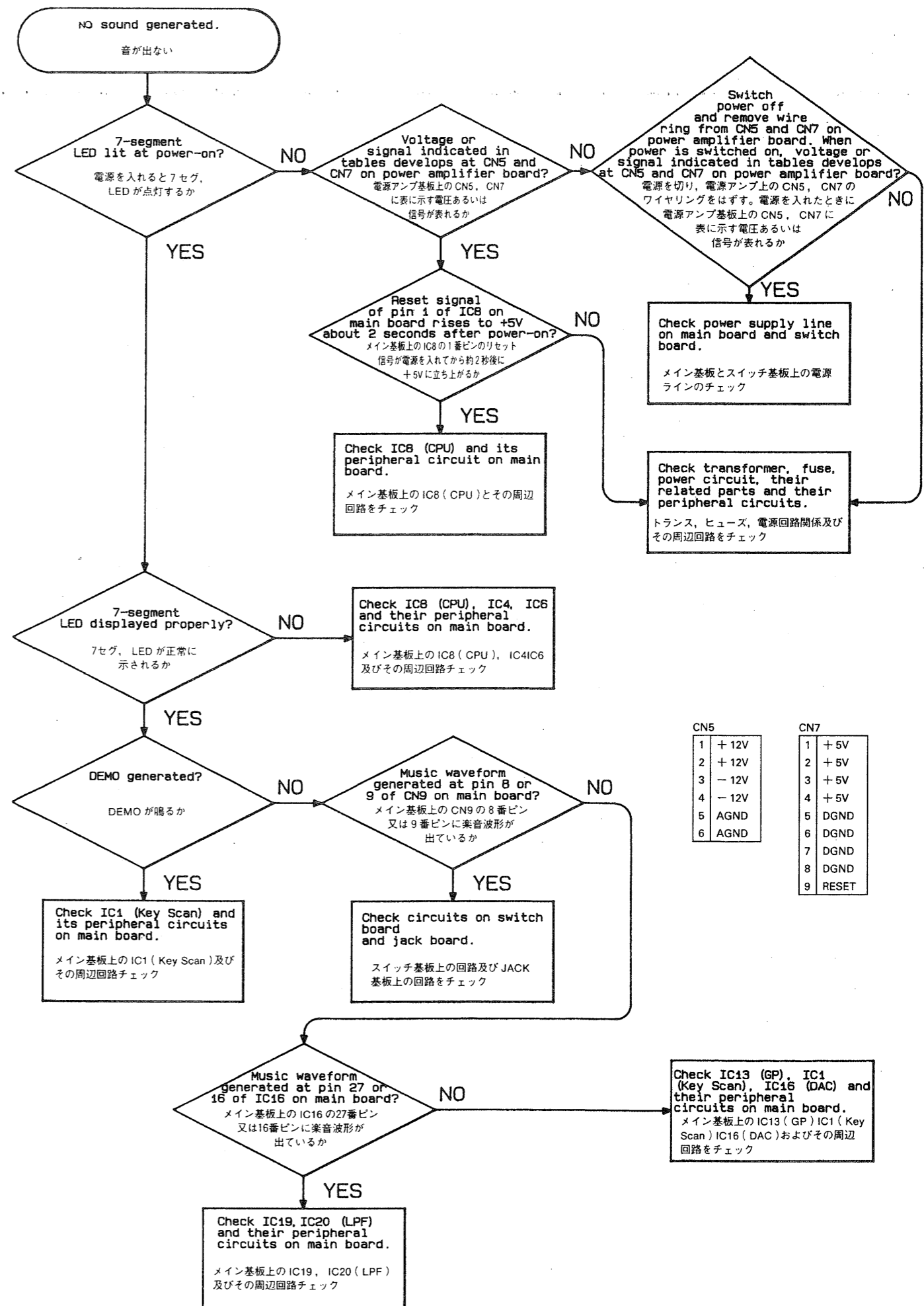
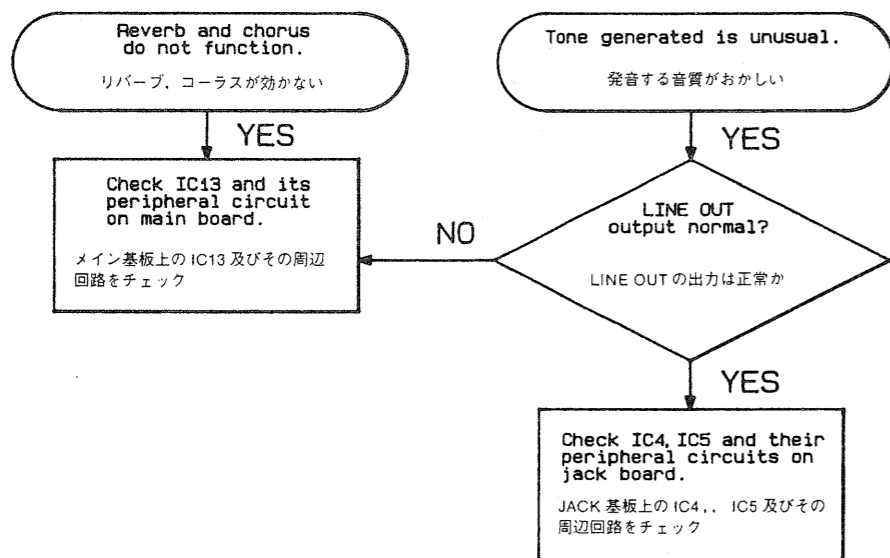


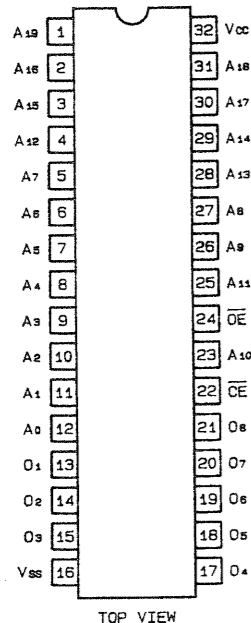
Fig. 2/図 2

TROUBLESHOOTING/トラブルシューティング

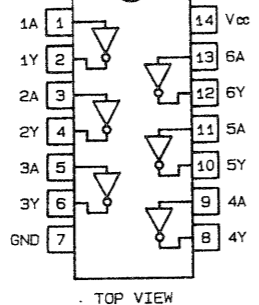


IC DATA/IC データ

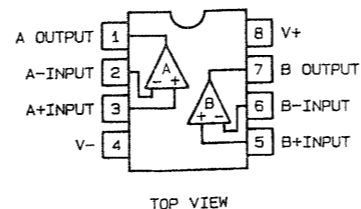
MASK ROM A (IC9 on MAIN BOARD)
M838000A (FLAT)
(15209297)
MASK ROM B (IC11 on MAIN BOARD)
M838000B (FLAT)
(15209298)



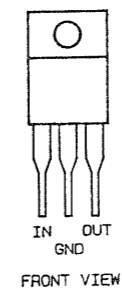
Hex Inverter
(IC1 on JACK BOARD)
HD74LS05P
(15169334H0)



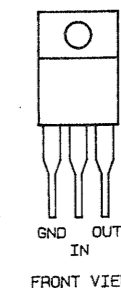
OP AMP (IC19, 20 on MAIN BOARD)
NJM5532M
(15289117)



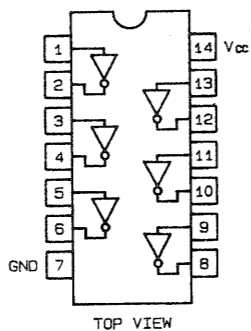
V.RGL (IC3 on AMP P.S.BOARD)
L78M12ML
(15199176)



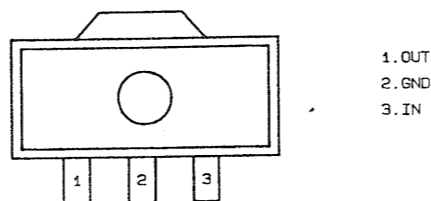
V.RGL (IC2 on AMP P.S.BOARD)
L79M12ML
(15199177)



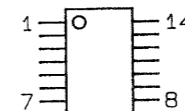
Hex Inverter
(IC4, 15 on MAIN BOARD)
TC74HC04F-T2
(15259706T0)
(IC5 on MAIN BOARD)
TC74HC04F-T2 (FLAT)
(15259704T0)



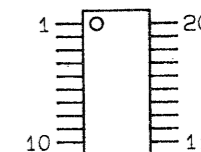
V.RGL (IC17 on MAIN BOARD)
HA178L05UA-TL
(15199254)



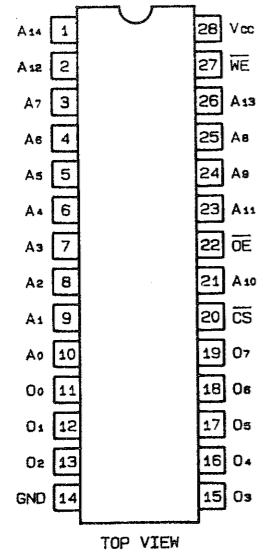
Quad 2 Input NAND Gate
(IC3 on MAIN BOARD)
TC74HC00F-T2
(15259701T0)



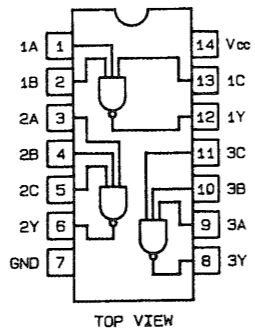
Octal D Flip-Flop
(IC2 on MAIN BOARD)
TC74HC574F-T2
(15259823T0)



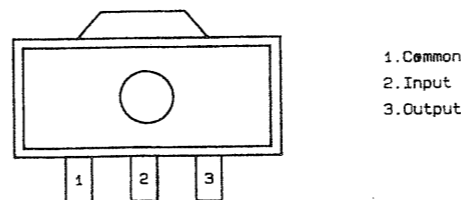
PSRAM (IC12 on MAIN BOARD)
HM65256BLFP-12
(15279510)



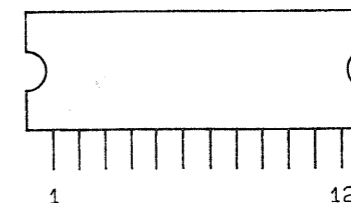
Tripple 3-Input NAND
(IC7 on MAIN BOARD)
TC74HC10F (FLAT)
(15259709T0)



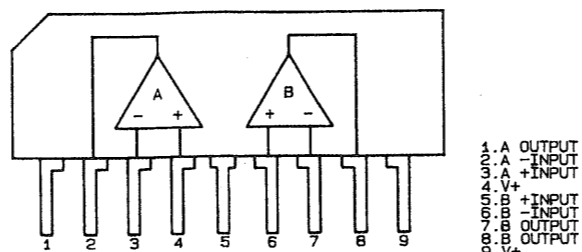
V.RGL (IC18 on MAIN BOARD)
HA179L05UA-TL
(15199255)



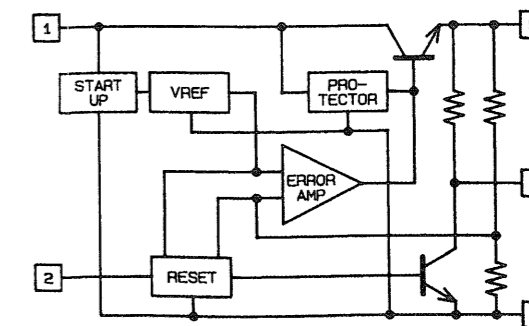
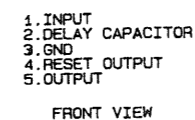
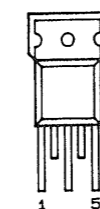
Power IC (IC1 on AMP P.S.BOARD)
LA4282
(15199542)



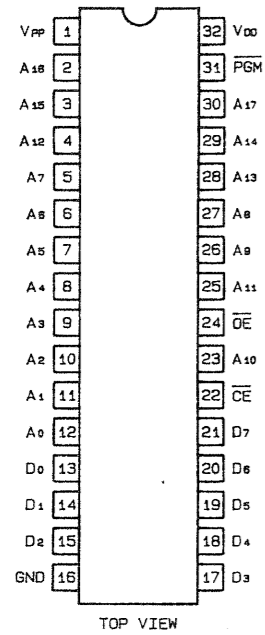
OP AMP (IC1 to 3 on Switch BOARD,
IC3 to 7 on JACK BOARD)
NJM4565SD
(15189242)



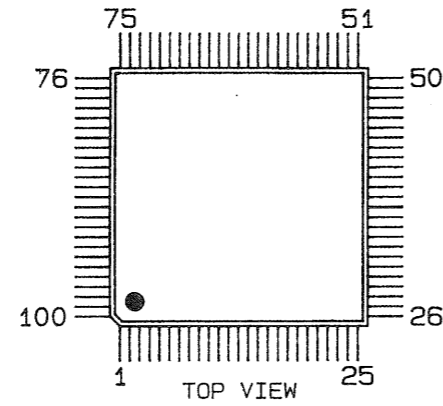
V.RGL (IC4 on AMP P.S.BOARD)
L78MR05R
(15199155)



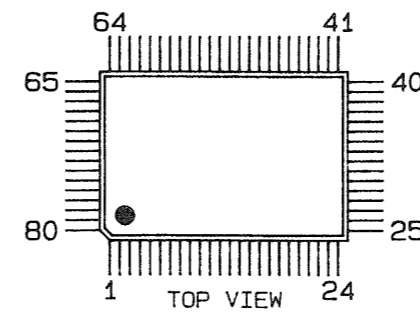
OTP ROM
(IC6 on MAIN BOARD)
TC541000F-15
(15279802)
MASK ROM
(IC6 on MAIN BOARD)
TC531000F
(15209303)



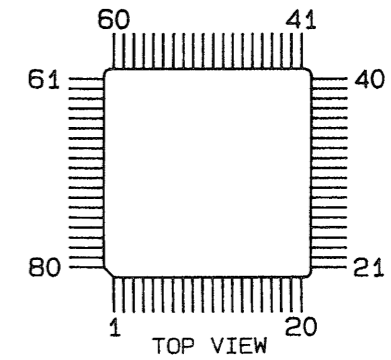
PCM Custom IC (IC13 on MAIN BOARD)
TC24SC201AF-002
(15239148)



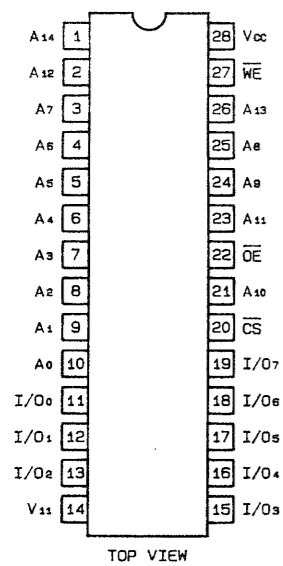
Gate Array (IC1 on MAIN BOARD)
SSC1000
(15239124)



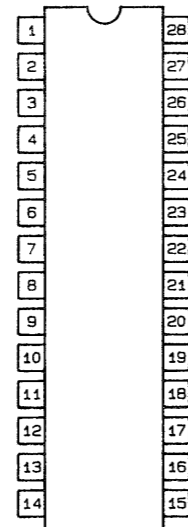
CPU (IC8 on MAIN BOARD)
HD6435328F ZTAT (15199739)
HD6435328F MASK (15199738)



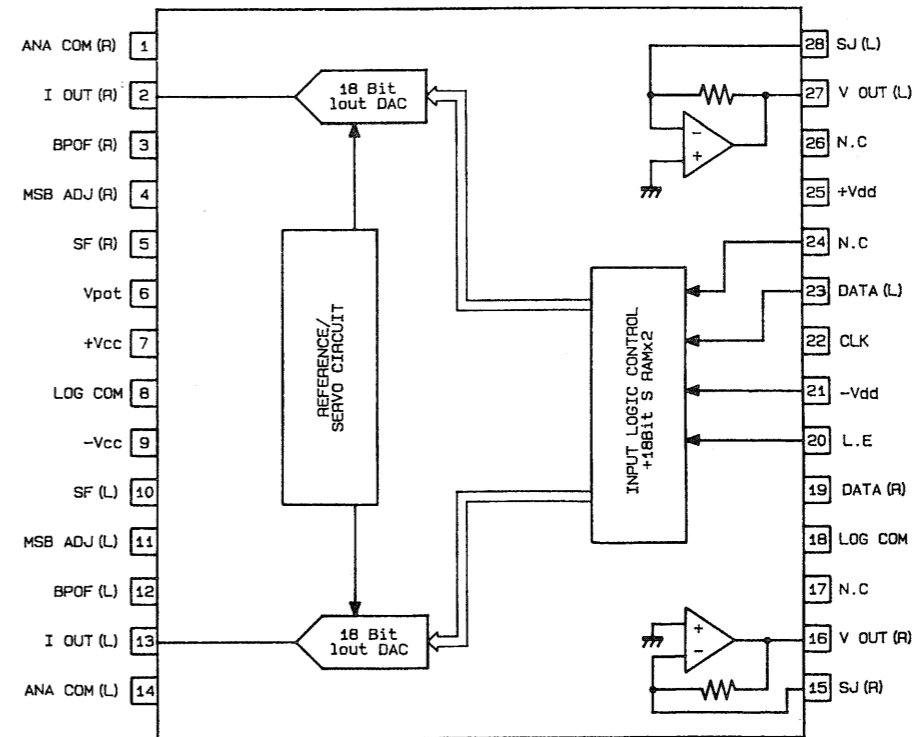
SRAM (IC4 on MAIN BOARD)
HM62256LFP-12SLT
(15279508)



Gate Arry (IC14 on MAIN BOARD)
R06-0011
(15239170)



D/A Converter (IC16 on MAIN BOARD)
PCM1700K-T2
(15209189)



OPTION

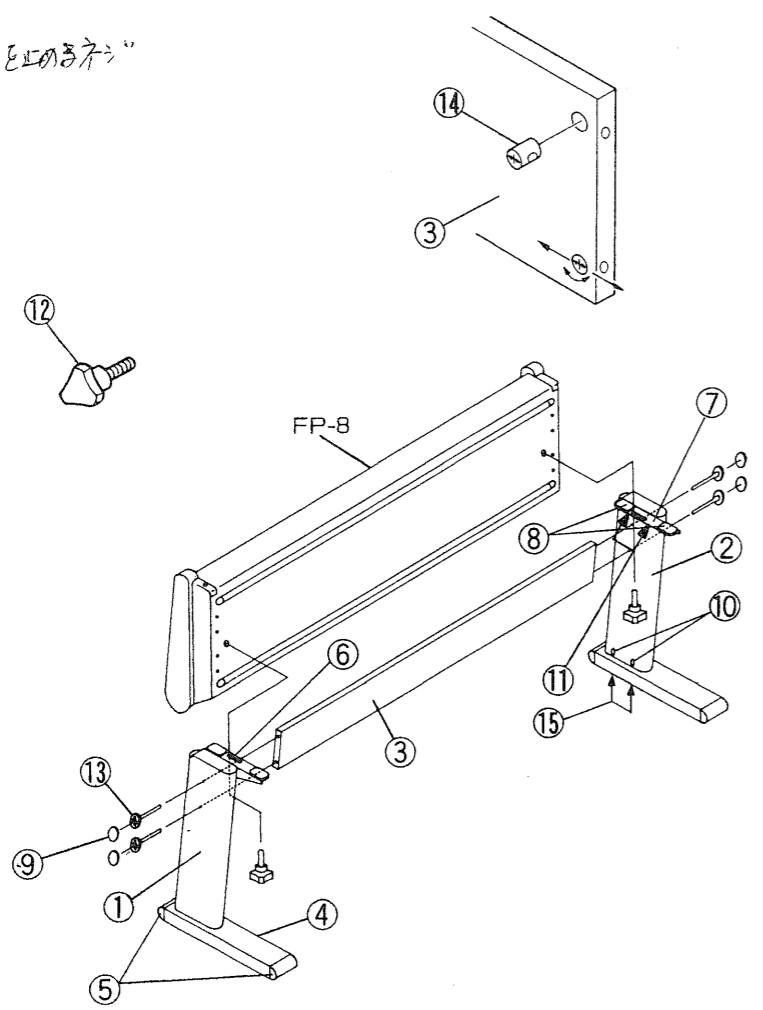
KEYBOARD STAND FPS-8

NO.	PARTS NUMBER	PARTS NAME
①	7815604000	Side Board L
②	7815605000	Side Board R
③	7815606000	Center Board
④	21205504	Gable
⑤	12049348	Pipe Cover
⑥	22205652	Holder L
⑦	22205653	Holder R
⑧	22265539	Cushion
⑨	*****	Cap
⑩	*****	Free Cap
⑪	*****	4x16mm Tapping truss screw A1BC
⑫	*****	M5x20mm Knob Bolt KT-B
⑬	*****	M6x60mm Joint Bolt JBA-0108M
⑭	*****	M6x16mm Joint Nut JRN-0101M BC
⑮	*****	M6x25mm W Sems screw BC
	12569254	Driver / プラスマイナス・ドライバー
	26045505	Owner's Manual (Japanese/English common) (和英共通)

(1991/9 4番5列)
Z02600~

1704956701... NEW 4列7 (長尺)
~~7700~~ (1A717)

22605231 FPS-8 1/4
→ 本体とスタンドとの関係



HOW TO ASSEMBLE THE FPS-8/FPS-8 組み立て方法





●Assembling Procedure

1. Insert the Joint nuts into their holes on the Center board. Then, using a screwdriver, turn them until they are positioned as shown (Fig. 1).
2. Assemble Side boards R and L and the Center board as shown, and fasten together using the Joint bolts. Cover the bolt heads with the Caps.
3. Place the instrument (FP-8) onto the stand, and screw in the Knob bolts only enough to hold it in place. (See Fig. 2.)
4. Pull the instrument (FP-8) forward, until you are sure that the Knob bolts are positioned at the front-most part of their grooves. Then, tighten the Knob bolts. (See Fig. 3.)
5. When the top panel is to be opened for repairing, loosen the knob bolts and push the body far. In this state, open the top panel and the stand acts as a stay. (See Fig. 4.)

●組み立て順序

1. ジョイント・ナットをセンター・ボードの穴にはめこみ、ドライバーでジョイント・ナットの方向を(図1)の様に合わせます。
2. サイド・ボードL、サイド・ボードRとセンター・ボードをジョイント・ボルトで固定し、キャップをはめます。(図2参照)
3. 本体(FP-8)をスタンドの上ののせ、ノブ・ボルトを仮止めします。(図2参照)
4. 本体(FP-8)を手前に引き、ノブ・ボルトが穴の前側にきたところで、ノブ・ボルトを締め付けます。(図3参照)
5. トップパネルを開けて修理する場合、ノブ・ボルトをゆるめ、本体を奥に押します。この状態でトップパネルを開けると、スタンドがステーになります。(図4参照)

Accessories 付属品

- | | | | | | |
|-------------------------|---|----|---------------------|---|----|
| Joint bolt
ジョイント・ボルト |  | x4 | Knob bolt
ノブ・ボルト |  | x2 |
| Joint nut
ジョイント・ナット |  | x4 | Cap
キャップ |  | x4 |

