

GC-408/GC-408S SERVICE NOTES

First Edition

Issued by RJA

GC-408 : GUITAR AMPLIFIER
GC-408S : SPEAKER BOX

TABLE OF CONTENTS

	Page
SPECIFICATIONS.....	1
PANEL LAYOUT.....	2
EXPLODED VIEW	
GC-408 CABINET.....	3
GC-408S CABINET.....	4
CHASSIS.....	5
NOTICE.....	6
WIRING DIAGRAM.....	7~10
PARTS LIST.....	11,12
CIRCUIT BOARD.....	13
CIRCUIT DIAGRAM.....	14

SPECIFICATIONS

GC-408:Guitar Amplifier

Rated Power Output
 60 W/8 Ω
 80 W/4 Ω (When the speaker box GC-408 is connected.)

Nominal Input Level (@ 1 kHz)
 CLEAN Channel INPUT HIGH -36 dBm / 680k Ω
 INPUT LOW -26 dBm / 100k Ω
 LEAD Channel INPUT HIGH -65 dBm / 680k Ω
 INPUT LOW -55 dBm / 100k Ω
 0 dBm = 0.775 Vrms

Speakers
 20 cm (8 inches) x 4

Controls
 CHANNEL SELECT Switch
 CLEAN Channel BRIGHT Switch
 VOLUME Knob
 LEAD Channel BOOST Switch
 PRE VOLUME Knob
 POST VOLUME Knob
 EQUALIZER BASS Knob
 MIDDLE Knob
 TREBLE Knob
 MASTER REVERB Knob
 PRESENCE Knob
 LOW CUT Switch
 SQUEEZE LEVEL Switch
 POWER SQUEEZER Switch
 POWER Switch (w/Indicator)

Indicator
 CLEAN Channel
 LEAD Channel

Connectors
 INPUT Jack(HIGH,LOW)
 FOOT SWITCH Jack(CHANNEL, SELECT, BOOST, REVERB)
 EFFECT SEND Jack
 EFFECT RETURN Jack
 EXTERNAL SP OUT Jack

Power Supply
 100V(50Hz/60Hz),117V,230V or 240V

Power Consumption
 60W(AC 100V) / 80W(117V/230V/240V)

Dimensions
 561 (W)x 316 (D)x 576 (H) mm
 22-1/8 (W) x 12-1/2 (D) x 22-11/16 (H) inches

Weight
 20.6 kg / 45 lbs 7 oz

Accessories
 Owner's Manual English (SS000103)
 Owner's Manual Japanese (SS000104)

Options
 Footswitch FS-5L(BOSS)
 External speaker box GC-408S

GC-408S:Speaker Box

Speakers
 20 cm (8 inches) x 4

Rated Input
 80 W

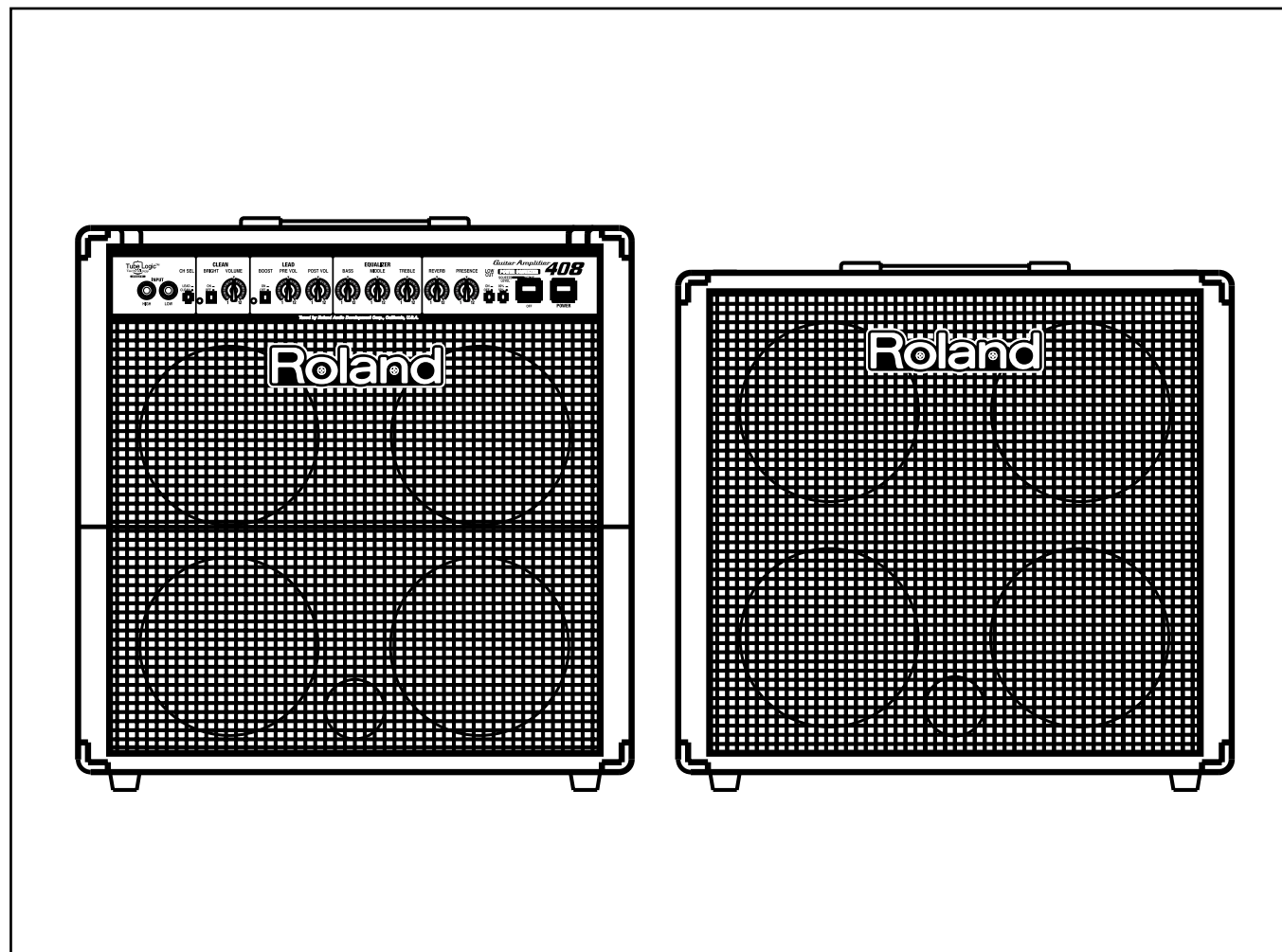
Impedance
 8 Ω

Connector
 INPUT Jack

Dimensions
 561 (W)x 335 (D)x 528 (H) mm
 22-1/8 (W) x 13-3/16 (D) x 20-13/16 (H) inches

Weight
 16.6 kg / 36 lbs 10 oz

Accessories
 Owner's Manual English (SS000105)
 Owner's Manual Japanese (SS000106)
 Connection Cable (EXT S/P CABLE) (SS000155)



Copyright © 1997 by ROLAND CORPORATION

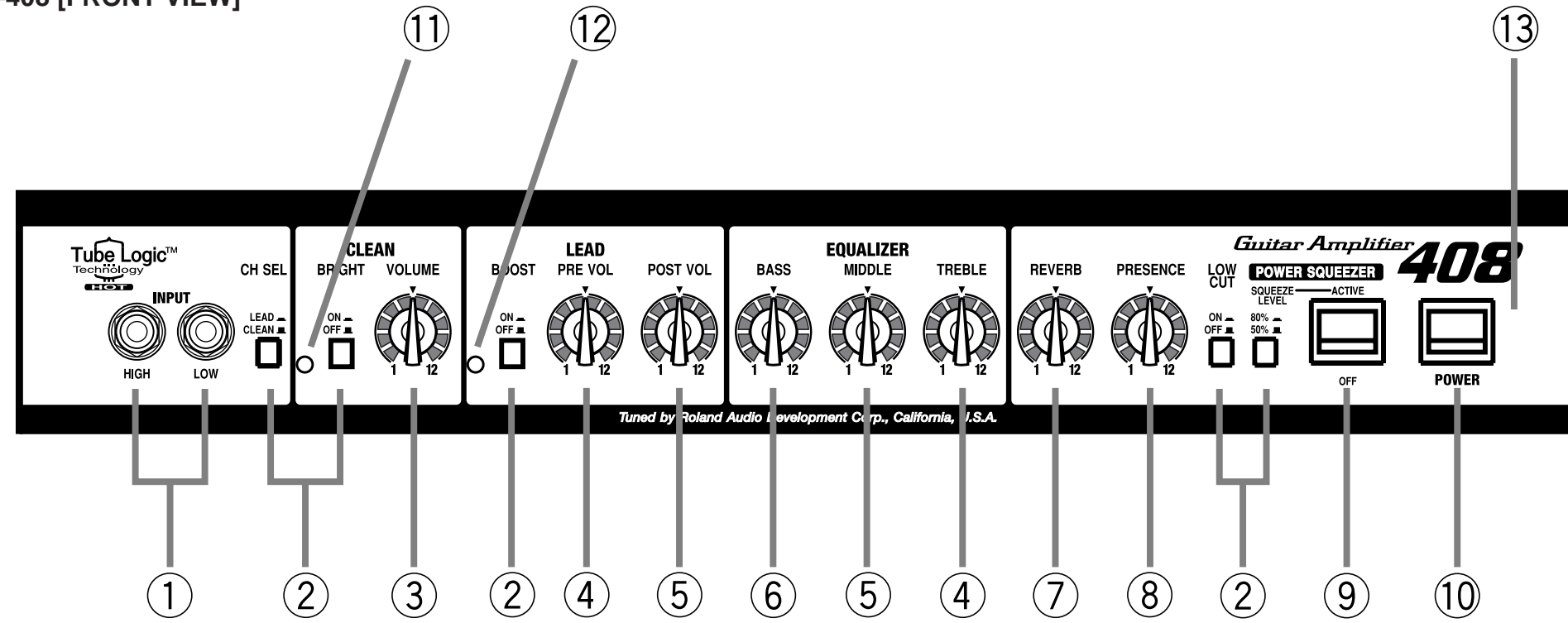
All rights reserved. No part of this publication may be reproduced in any form without the written permission of ROLAND CORPORATION.

LOCATION OF CONTROLS

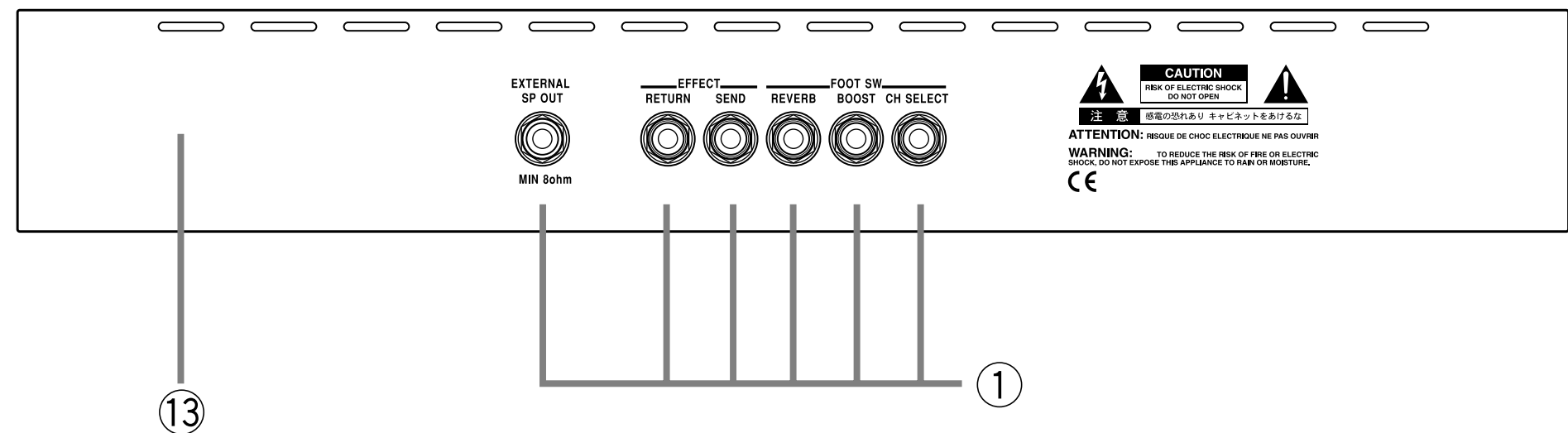
[PARTS]

No.	Part Cord	Part Name
①	SS000115	PHONE JACK MONO 12.5M/M
	SS000055	NUT BK ABS JACK
②	SS000065	BUTTON PNBB-18
	SS000020	PUSH SWITCH JDPA-21SA
③-⑧	SS000066	KNOB CNBB-09
③	SS000011	POTENTIOMETER A50k V/R 16F
④	SS000013	POTENTIOMETER B250k V/R 16F
⑤	SS000012	POTENTIOMETER B20k V/R 16F
⑥	SS000126	POTENTIOMETER A500k V/R 16F
⑦	SS000127	POTENTIOMETER B10k V/R 16F
⑧	SS000015	POTENTIOMETER C10k V/R 16F
⑨	SS000132	POWER SWITCH H8660VB
⑩	SS000021	AC SWITCH H8653VB
⑪	SS000123	LED KLG124
⑫	SS000122	LED KLR124
⑬	SS000141	PANEL (FRONT/REAR)

GC-408 [FRONT VIEW]



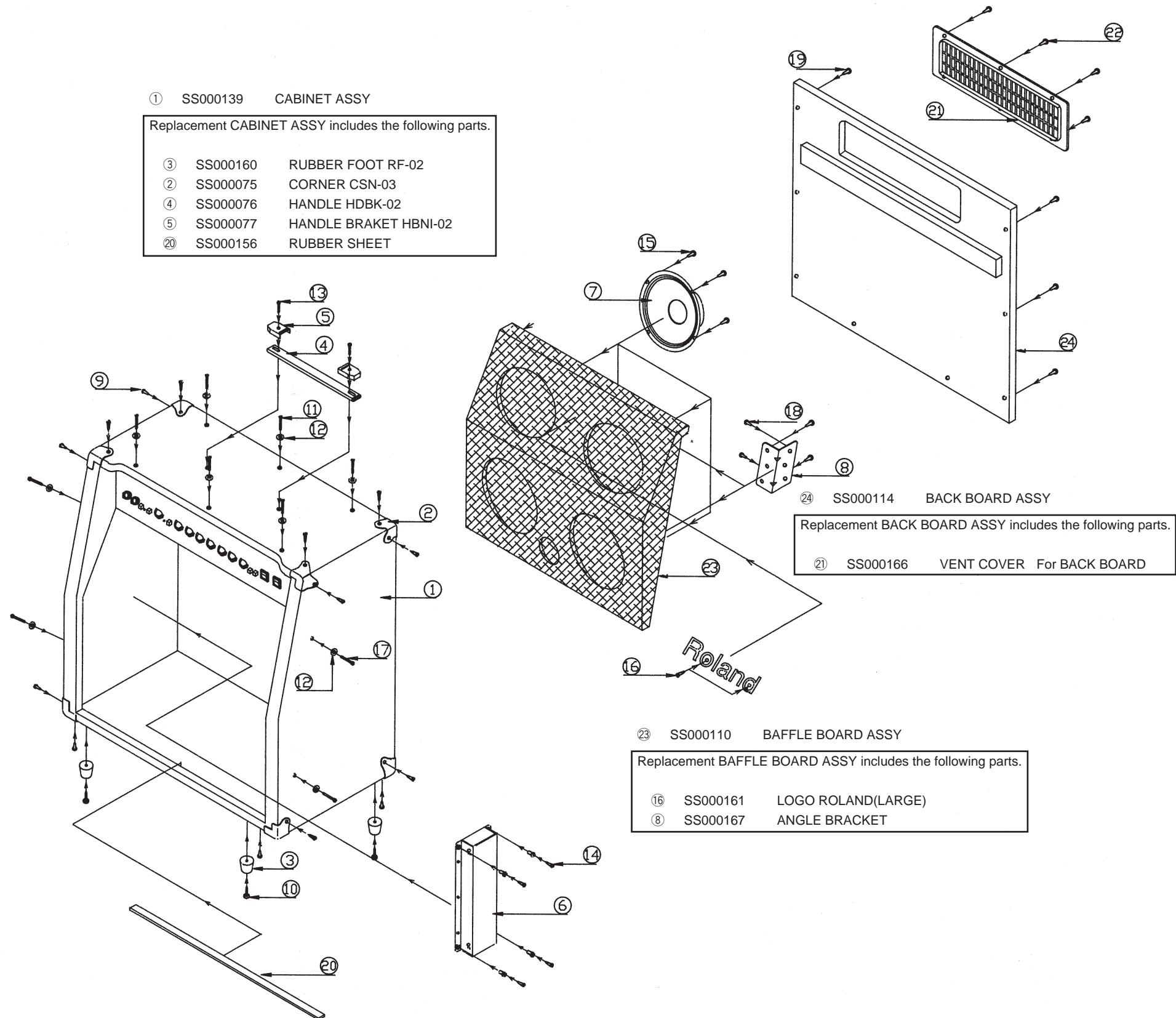
GC-408 [REAR VIEW]



GC-408 CABINET EXPLODED VIEW

[PARTS]

No.	Part Cord	Part Name
①	SS000139	CABINET ASSY
②	SS000070	CORNER CSN-03
③	SS000160	RUBBER FOOT RF-02
④	SS000076	HANDLE HDBK-02
⑤	SS000077	HANDLE BRACKET HBNI-02
⑥	17055028	REVERB UNIT 8DB2C1E
⑦	SS000135	SPEAKER GC-408/S
⑧	SS000167	ANGLE BRACKET
⑨	SS000050	TAPPING SCREW NI TH1 3.5x12
⑩	SS000145	TAPPING SCREW BK TH1 3.5x 18
⑪	SS000148	MACHINE SCREW BK OH 4x25
⑫	SS000054	WASHER BK NAVAL 4ø
⑬	SS000051	MACHINE SCREW NI OH M4x32
⑭	SS000047	TAPPING SCREW BK TH1 3.5x15
⑮	SS000147	MACHINE SCREW BK TH M4x20
⑯	SS000171	TAPPING SCREW BK FH1 2.6x10
⑰	SS000049	TAPPING SCREW BK OH1 3.5x45
⑱	SS000152	TAPPING SCREW NI FH1 3.5x15
⑲	SS000146	TAPPING SCREW BK TH1 3.5x35
⑳	SS000156	RUBBER SHEET
㉑	SS000166	VENT COVER
㉒	SS000150	TAPPING SCREW BK OH1 3.5x15
㉓	SS000110	BAFFLE BOARD ASSY
㉔	SS000114	BACK BOARD ASSY



GC-408S CABINET EXPLODED VIEW

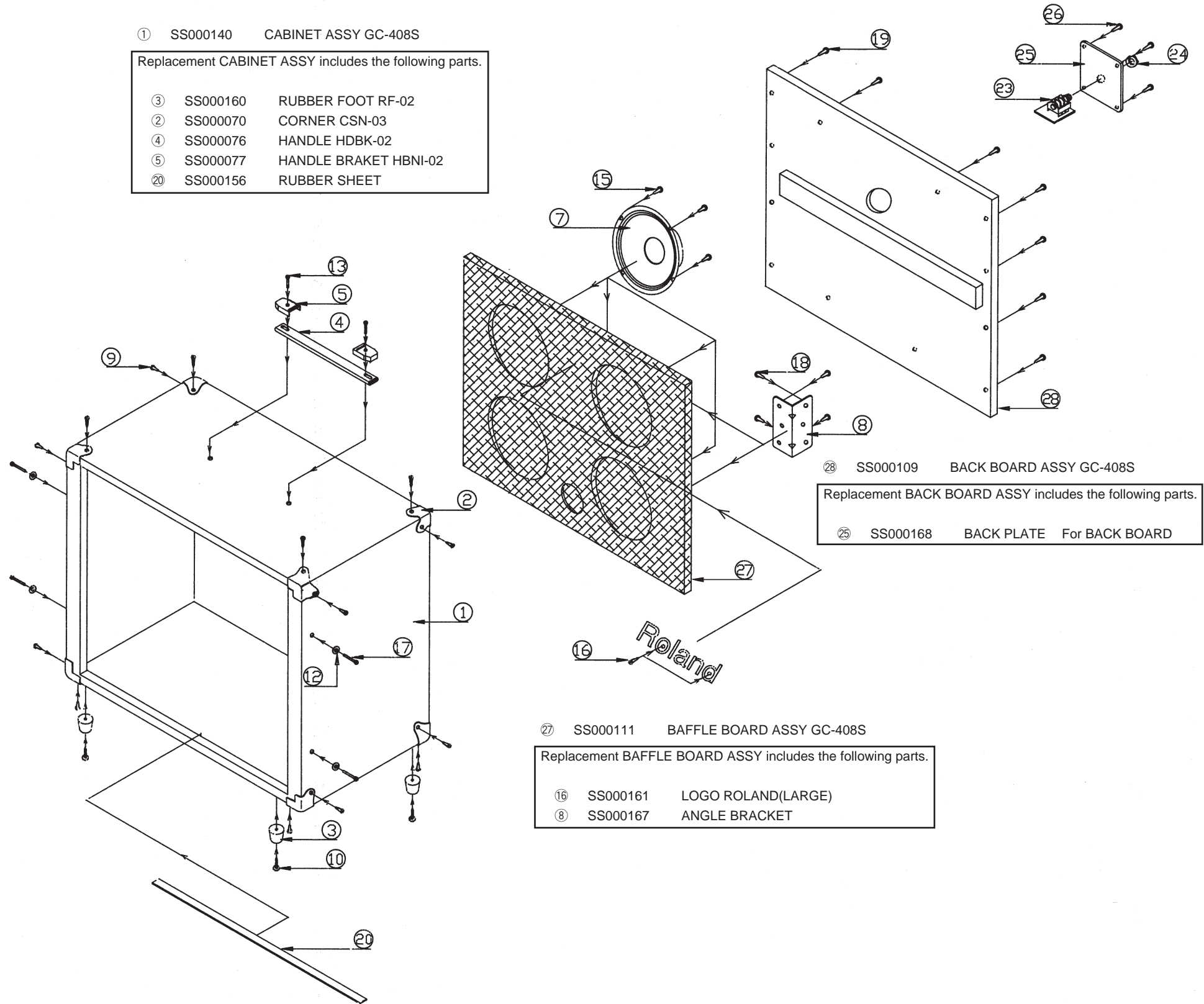
[PARTS]

No.	Part Cord	Part Name
①	SS000140	CABINET ASSY
②	SS000070	CORNER CSN-03
③	SS000160	RUBBER FOOT RF-02
④	SS000076	HANDLE HDBK-02
⑤	SS000077	HANDLE BRACKET HBNI-02
⑥	*****	
⑦	SS000135	SPEAKER GC-408/S
⑧	SS000167	ANGLE BRACKET
⑨	SS000050	TAPPING SCREW NI TH1 3.5x12
⑩	SS000145	TAPPING SCREW BK TH1 3.5x 18
⑪	*****	
⑫	*****	
⑬	SS000051	MACHINE SCREW NI OH M4x32
⑭	*****	
⑮	SS000147	MACHINE SCREW BK TH M4x20
⑯	SS000171	TAPPING SCREW BK FH1 2.6x10
⑰	SS000049	TAPPING SCREW BK OH1 3.5x45
⑱	SS000152	TAPPING SCREW NI FH1 3.5x15
⑲	SS000146	TAPPING SCREW BK TH1 3.5x35
⑳	SS000156	RUBBER SHEET
㉑	*****	
㉒	*****	
㉓	SS000133	PCB ASSY
㉔	SS000055	NUT BK ABS JACK
㉕	SS000168	BLACK PLATE
㉖	SS000144	TAPPING SCREW BK TH1 3.5x10
㉗	SS000111	BAFFLE BOARD ASSY GC-408S
㉘	SS000109	BACK BOARD ASSY GC-408S

① SS000140 CABINET ASSY GC-408S

Replacement CABINET ASSY includes the following parts.

③	SS000160	RUBBER FOOT RF-02
②	SS000070	CORNER CSN-03
④	SS000076	HANDLE HDBK-02
⑤	SS000077	HANDLE BRACKET HBNI-02
㉒	SS000156	RUBBER SHEET



㉘ SS000109 BACK BOARD ASSY GC-408S

Replacement BACK BOARD ASSY includes the following parts.

㉕	SS000168	BACK PLATE For BACK BOARD
---	----------	---------------------------

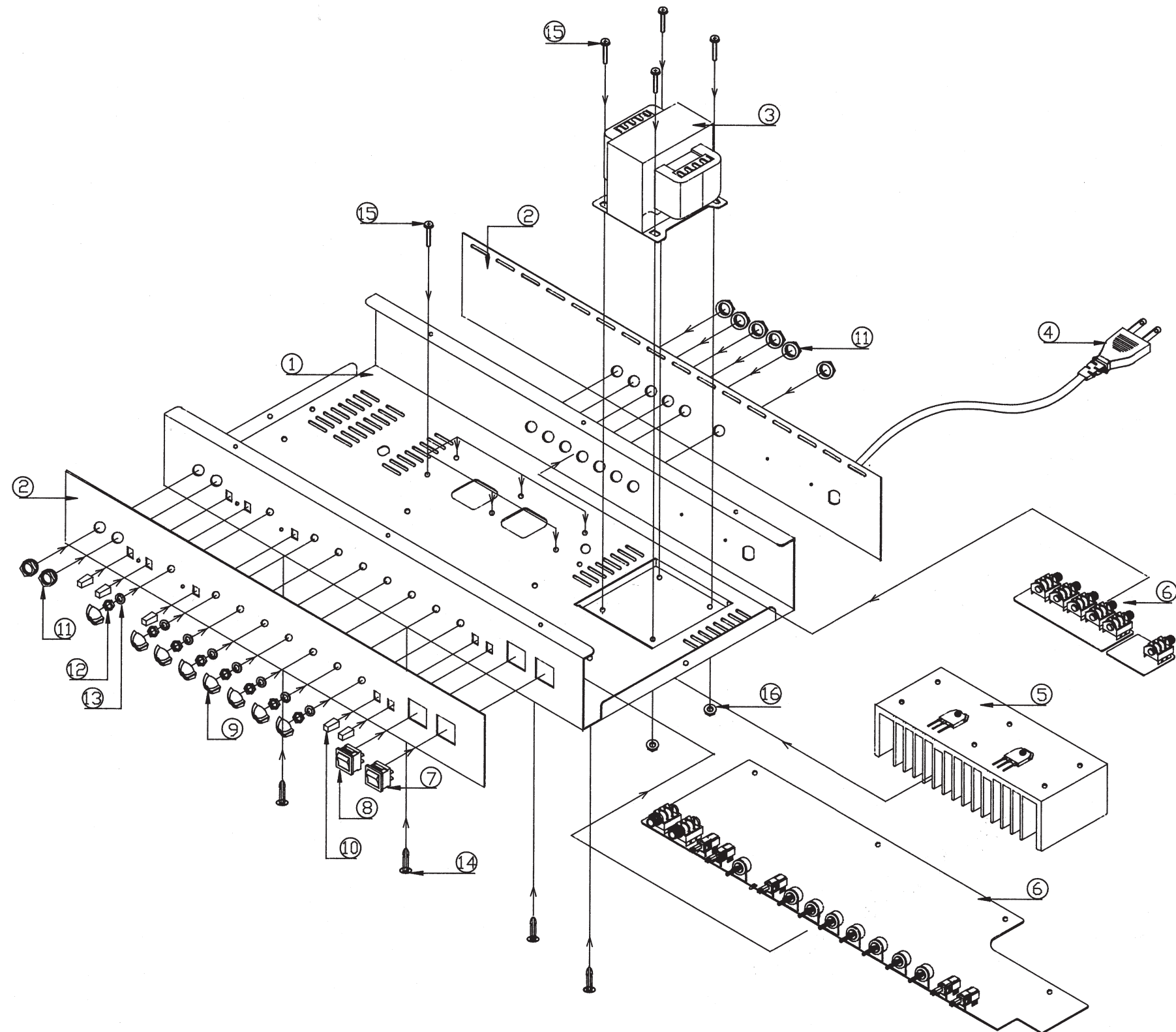
㉗ SS000111 BAFFLE BOARD ASSY GC-408S

Replacement BAFFLE BOARD ASSY includes the following parts.

⑯	SS000161	LOGO ROLAND(LARGE)
⑧	SS000167	ANGLE BRACKET

CHASSIS EXPLODED VIEW**[PARTS]**

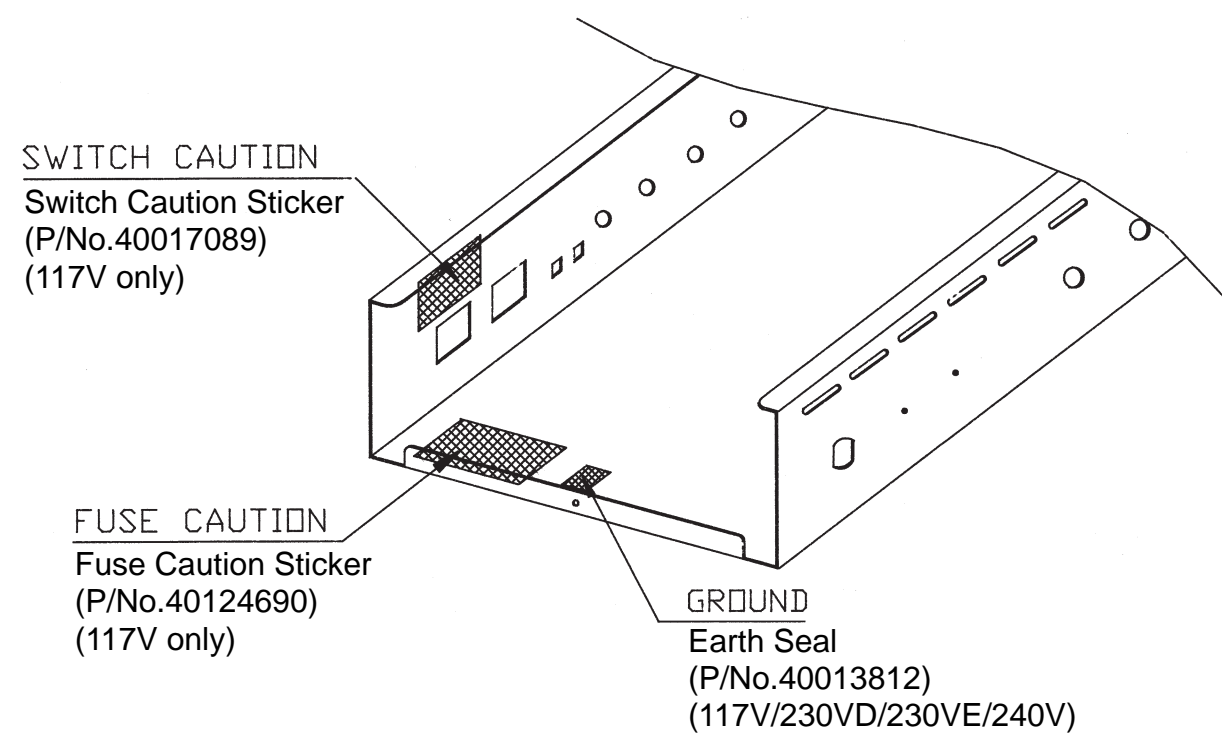
No.	Part Cord	Part Name
①	SS000112	CHASSIS (FOR 100V/230V/230VE/240V VERSION)
	SS000113	CHASSIS (FOR 117V VERSION)
②	SS000141	PANEL(Front / Rear)
③	SS000128	POWER TRANSFORMER GC-408J 100V
	SS000129	POWER TRANSFORMER GC-408U 117V
	SS000130	POWER TRANSFORMER GC-408ES 230V
	SS000131	POWER TRANSFORMER GC-408S 240V
④	SS000138	AC CORD 100V PHP209 VCTFK
	SS000040	AC CORD 117V KKP30A/SJT
	SS000035	AC CORD 230VD KKP4819R
	SS000036	AC CORD 230VE SRS.III
	SS000022	AC CORD 240V KKP550
⑤	SS000162	HEAT SINK HS-15
⑥	SS000133	PCB ASSY
⑦	SS000021	AC SWITCH H8653VB
⑧	SS000132	POWER SWITCH H8660VB
⑨	SS000066	KNOB CNBB-09
⑩	SS000065	BUTTON PNBB-18
⑪	SS000055	NUT BK ABS JACK
⑫	SS000060	NUT NA 6N-M7
⑬	SS000058	WASHER NA PLATE 7φ
⑭	SS000158	SUPPORT DABS 16R
⑮	SS000053	MACHINE SCREW NA PHSW M4x10
⑯	SS000059	NUT NA FURANCHI M4



NOTICE**Some basic tips to keep in mind when you replace a component****1. Caution labels**

When you replace the chassis, place caution labels to the replacement chassis.

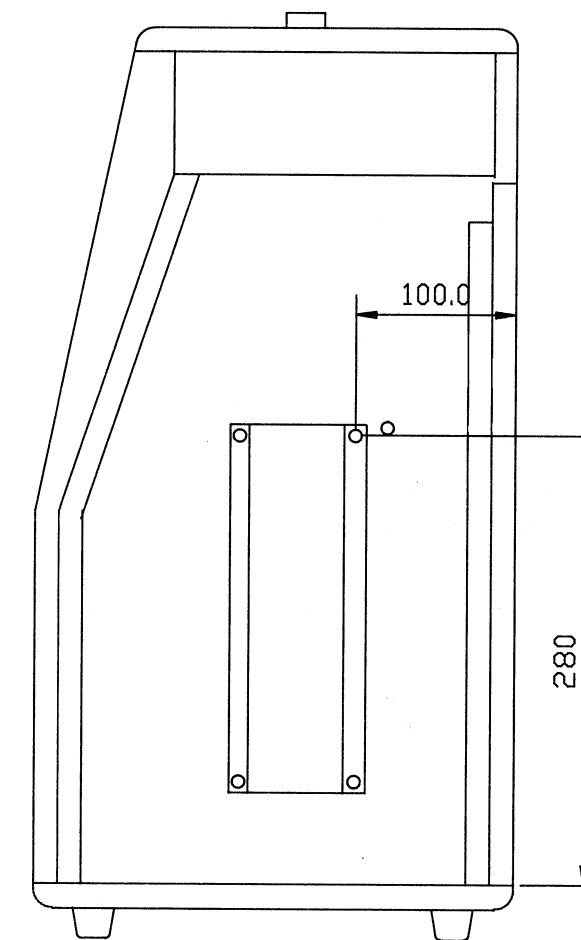
Please refer to the following diagrams.

**2. Reverb unit**

Reverb unit is placed to cabinet directly by wood screw.

When you place a reverb unit to the new replacement cabinet, lock it in specified position.

Please refer to the following diagrams.

[SIDE VIEW]

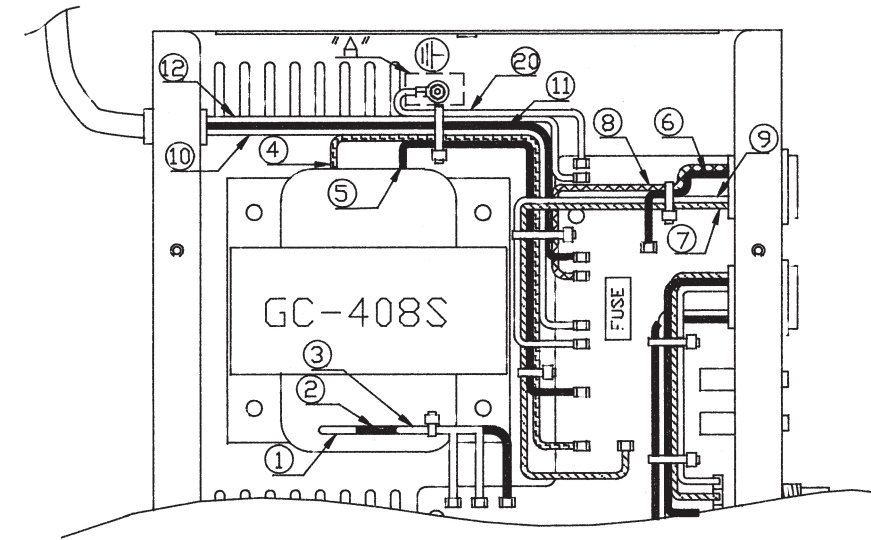
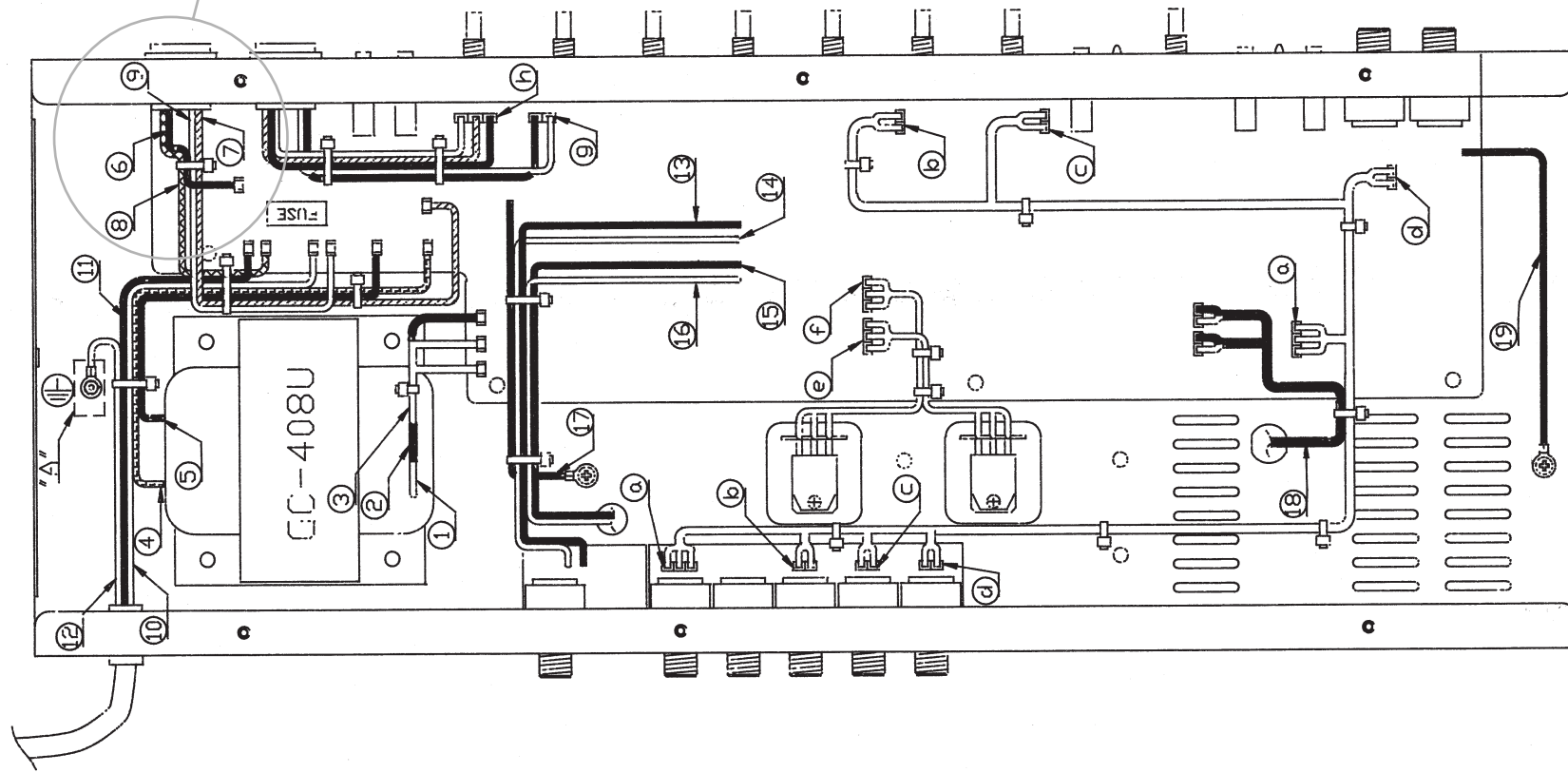
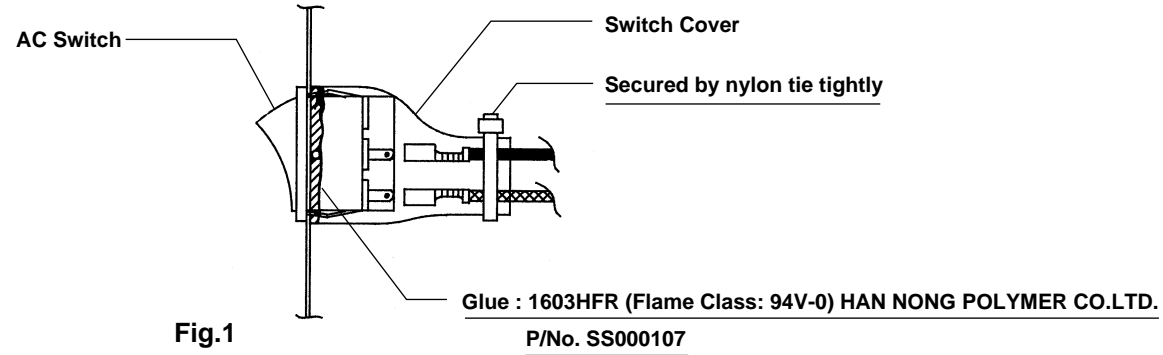
WIRING DIAGRAM

IMPORTANT NOTE ! (For 117V version)

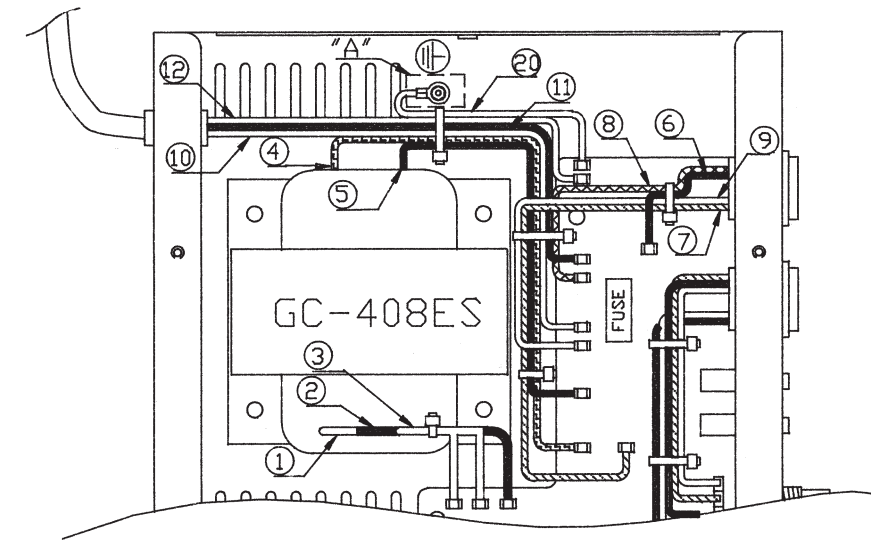
When you replace the AC Switch for 117V version, basic safety precautions should always be followed including the following.
(Refer to fig 1.)

NOTE : Mounting of AC Switch

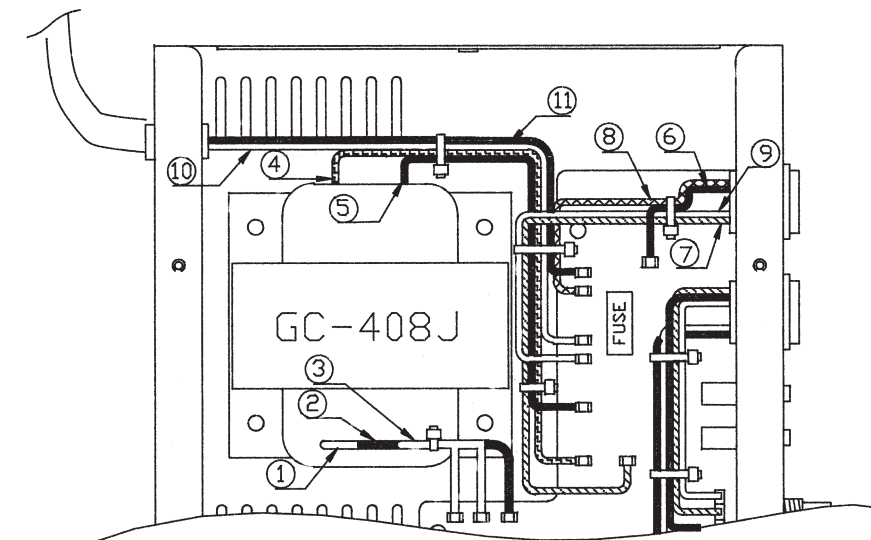
The switch cover must be secured to the ac switch by nylon tie.
The gap between Metal Chassis and Switch Cover must be filled up with glue with flammability of 94V-0.



((FOR 240V))



((FOR 230VE/VD))

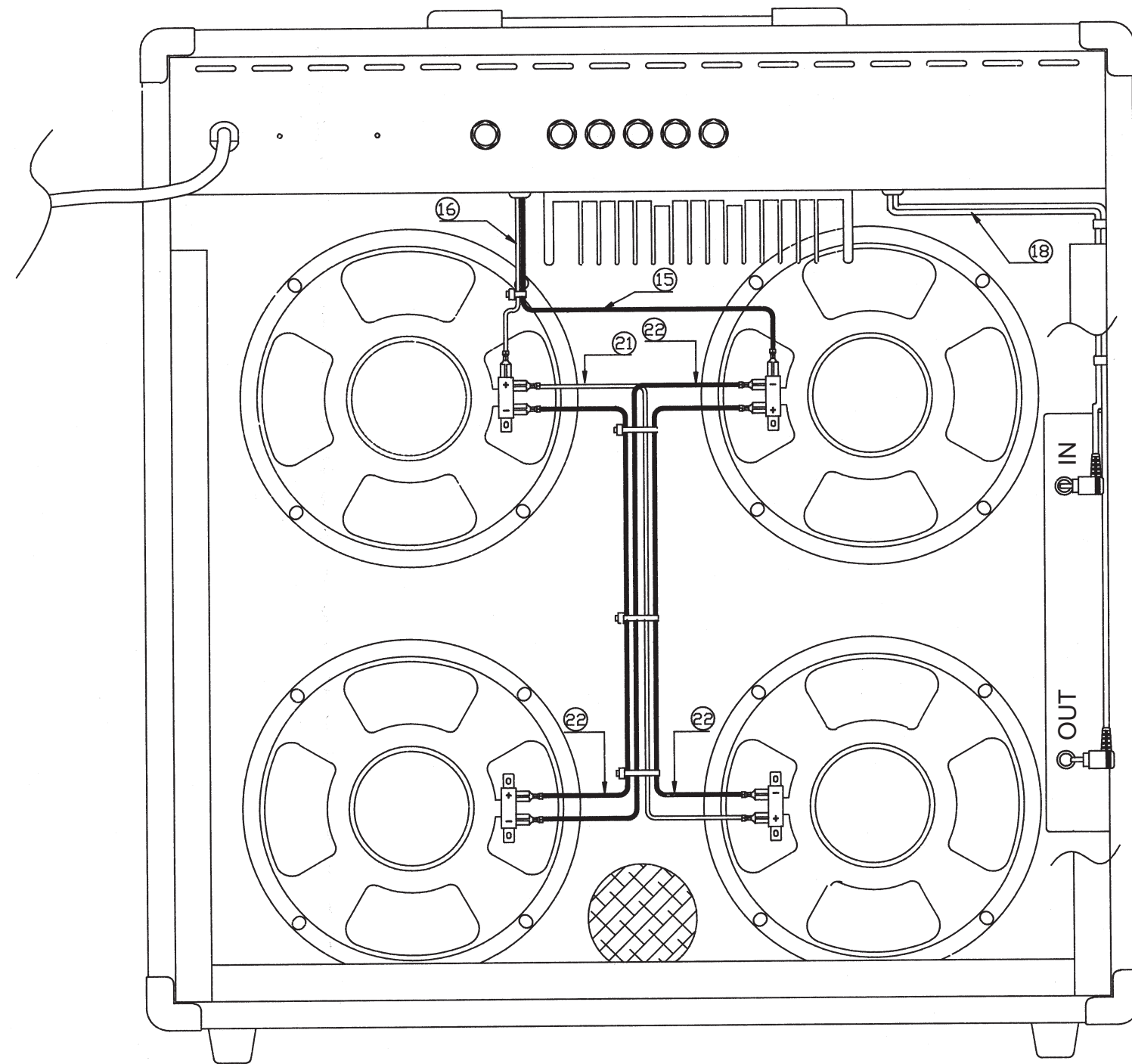


((FOR 100V))

((FOR 117V))

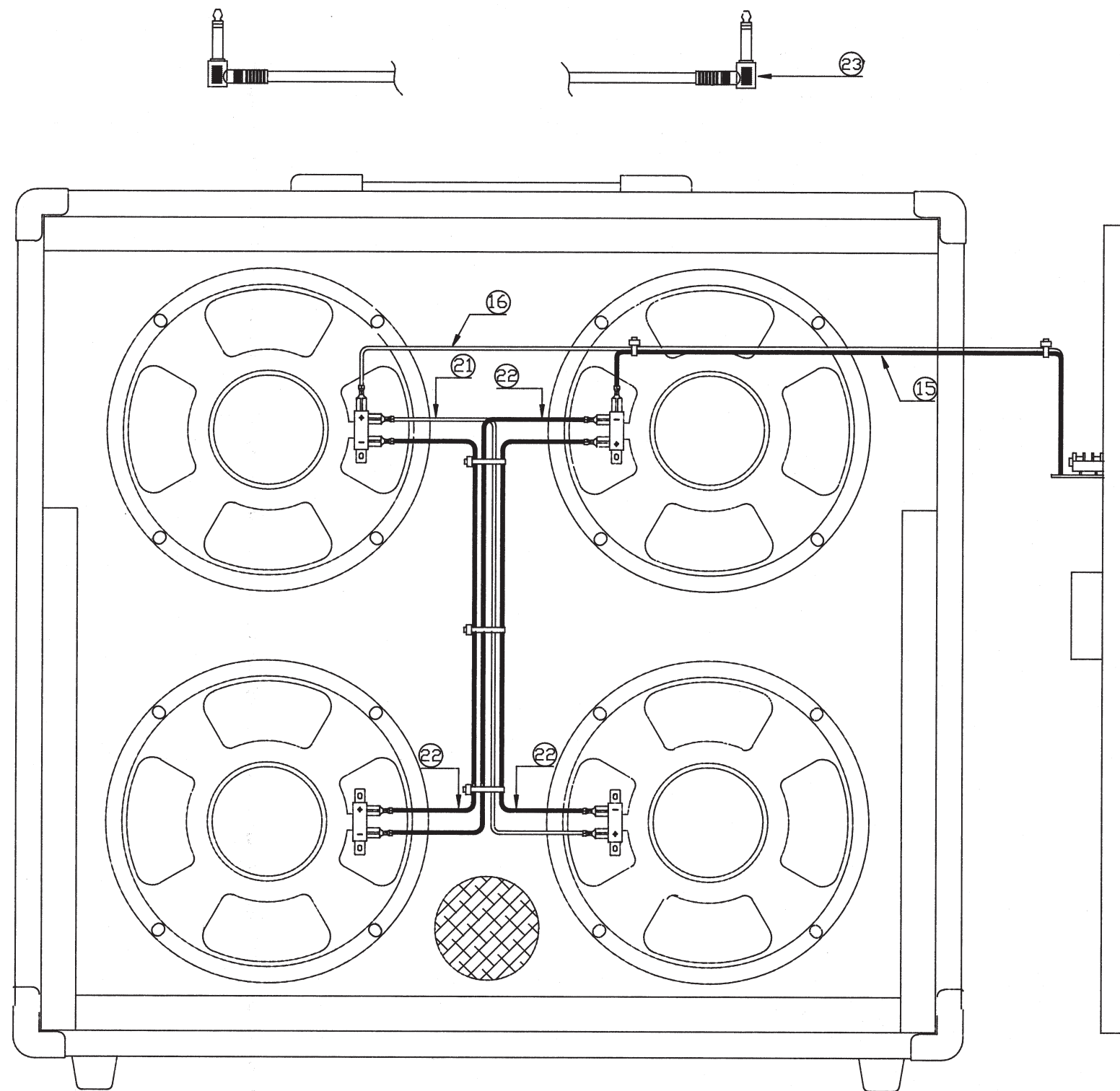
WIRING DIAGRAM

408 SPEAKER

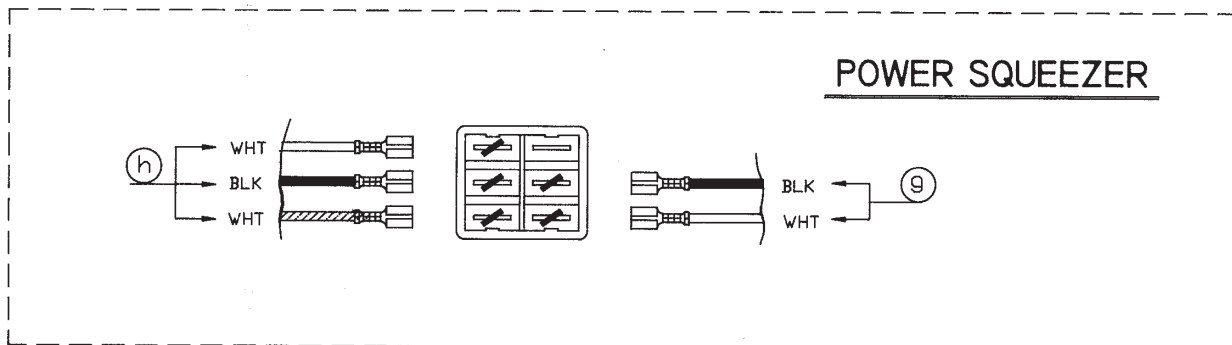
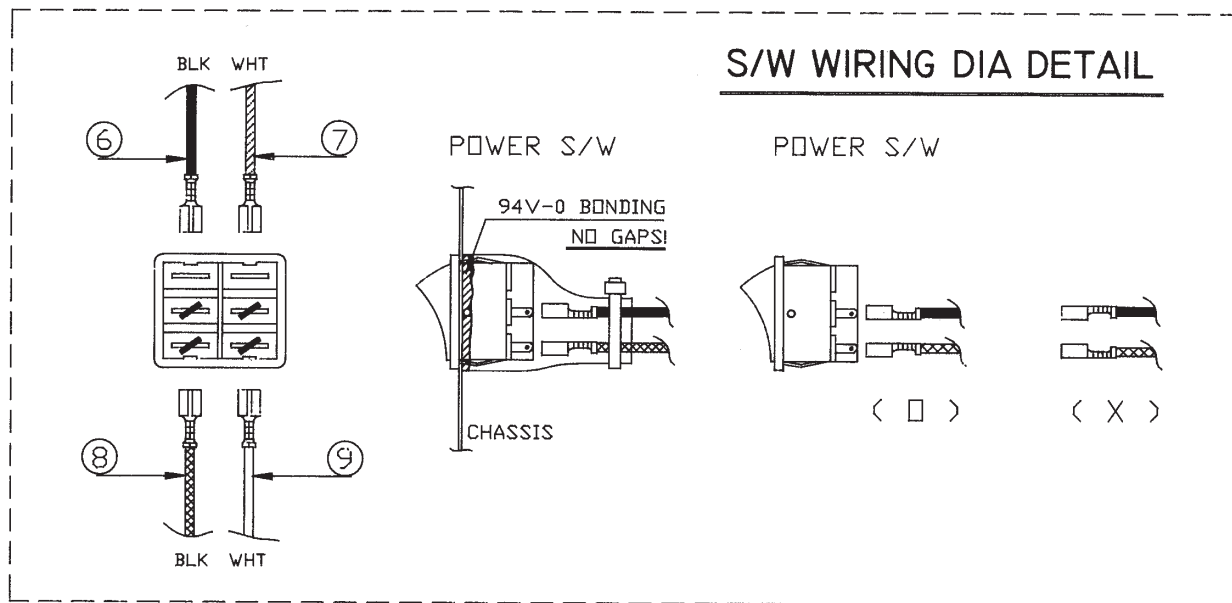
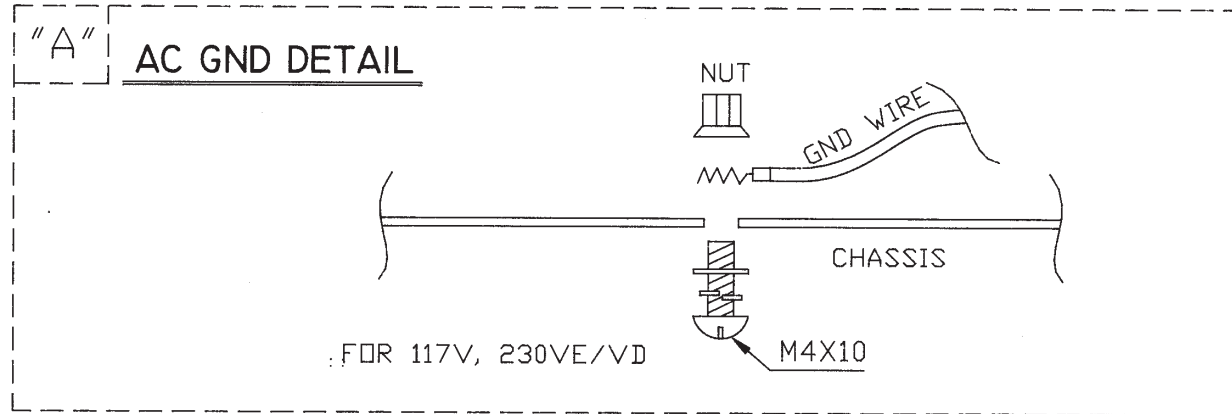


WIRING DIAGRAM

408S SPEAKER



WIRING DIAGRAM



WIRING DIAGRAM PARTS LIST

NOTE:The parts marked Δ have safety-related characteristics.
Use only listed parts for replacement.

- ① ***** TRANSFORMER SEC.LEAD WIRE.(RED)
- ② ***** TRANSFORMER SEC.LEAD WIRE.(BLK)
- ③ ***** TRANSFORMER SEC.LEAD WIRE.(RED)
- ④ ***** TRANSFORMER PRI.LEAD WIRE.(WHT)
- ⑤ ***** TRANSFORMER PRI.LEAD WIRE.(BLK)
- Δ ⑥ SS000177 POWER LINE WIRE (BLK)
- Δ ⑦ SS000178 POWER LINE WIRE 150MM (WHT)
- Δ ⑧ SS000177 POWER LINE WIRE (BLK)
- Δ ⑨ SS000180 POWER LINE WIRE 100MM (WHT)

AC CORD

	100V	117V	230VE/240VD
⑩	WHITE	WHITE	BLUE
⑪	BLACK	BLACK	BROWN
⑫	none	GREEN	YLW/GRN

- ⑬ SS000181 EXTERNAL SPEAKER WIRE (BLK)
- ⑭ SS000182 EXTERNAL SPEAKER WIRE (WHT)
- ⑮ SS000183 SPEAKER WIRE (BLK)
- ⑯ SS000198 SPEAKER WIRE (WHT)
- ⑰ SS000186 GND CABLE (BLK)
- ⑱ SS000080 REVERB CABLE
- ⑲ SS000186 GND CABLE (BLK)
- Δ ⑳ SS000187 LINE GND CABLE (YLW/GLY)230/240V ONLY
- ㉑ SS000196 SPEAKER SYSTEM WIRE (WHT)
- ㉒ SS000197 SPEAKER SYSTEM WIRE (BLK)
- ㉓ SS000155 EXT S/P CABLE L=300M/M(BLK)
- a SS000188 SEND/RETURN WIRE (WHT/BRU/YLW)
- b SS000189 REVERB WIRE (YLW/BLU)
- c SS000190 BOOST WIRE (YLW/BLU)
- d SS000191 C/H SELECT WIRE (WHT/BLU)
- e SS000192 POWER TR WIRE (RED/WHT/BLU)
- f SS000192 POWER TR WIRE (RED/WHT/BLU)
- Δ g SS000163 POWER SQUEEZER WIRE 2pin
- Δ h SS000164 POWER SQUEEZER WIRE 3pin

GC-408 PARTS LIST

<p>SAFETY PRECAUTIONS:*</p> <p>The parts marked Δ have safety-related characteristics. Use only listed parts for replacement.</p>	<p>CONSIDERATIONS ON PARTS ORDERING</p> <p>When ordering any parts listed in the parts list, please specify the following items in the order sheet.</p> <table border="1"> <thead> <tr> <th>QTY</th> <th>PART NUMBER</th> <th>DESCRIPTION</th> <th>MODEL NUMBER</th> </tr> </thead> <tbody> <tr> <td>Ex. 10</td> <td>22575241</td> <td>Sharp Key</td> <td>C-20/50</td> </tr> <tr> <td>15</td> <td>2247017300</td> <td>Knob (orange)</td> <td>DAC-15D</td> </tr> </tbody> </table> <p>Failure to completely fill the above items with correct number and description will result in delayed or even undelivered replacement.</p>	QTY	PART NUMBER	DESCRIPTION	MODEL NUMBER	Ex. 10	22575241	Sharp Key	C-20/50	15	2247017300	Knob (orange)	DAC-15D
QTY	PART NUMBER	DESCRIPTION	MODEL NUMBER										
Ex. 10	22575241	Sharp Key	C-20/50										
15	2247017300	Knob (orange)	DAC-15D										

NOTE1: The parts marked # are new.

NOTE2: The parts marked Δ have safety-related characteristics. Use only listed parts for replacement.

CABINET				
#	SS000139	CABINET ASSY	5211200000	
NOTE1: Replacement CABINET ASSY includes the following parts.				
#	SS000160	RUBBER FOOT RF-02	60381030001	
	SS000075	CORNER CSN-03	60420220001	
	SS000076	HANDLE HDBK-02	60513110001	
	SS000077	HANDLE BRACKET HBNI-02	60523020001	
	SS000156	RUBBER SHEET	60331510000	
#	SS000110	BAFFLE BOARD ASSY		
NOTE2: Replacement BAFFLE BOARD ASSY includes the following parts.				
#	SS000161	LOGO ROLAND(LARGE)	60391310101	
	SS000167	ANGLE BRACKET	90120100000	
	SS000114	BACK BOARD ASSY		
NOTE3: Replacement BACK BOARD ASSY includes the following parts.				
#	SS000166	VENT COVER	90090300001	For BACK BOARD
CHASSIS				
#	SS000112	CHASSIS(FOR 100V/230V/230VE/240V VERSION)		
# Δ	SS000113	CHASSIS(FOR 117V VERSION)		
#	SS000141	PANEL	53112000000	for Front,Back
KNOB, BUTTON				
	SS000066	KNOB CNBB-09	60315303101	
	SS000065	BUTTON PNBB-18	60312300302	
SWITCH				
	SS000020	PUSH SWITCH JDBA-21SA	30324020021	S5,6,8,SW4,7
	SS000132	POWER SWITCH H8660VB	30514048660	S2
Δ	SS000021	AC SWITCH H8653VB	30514028653	SW1
JACK, SOCKET				
	SS000115	PHONE JACK MONO 12.5M/M		JK1-7,9
SPEAKER				
# Δ	SS000135	SPEAKER GC-408/S	40160908034	
REVERB UNIT				
	17055028	REVERB UNIT 8DB2C1E		
PWB ASSY				
#	SS000133	PCB ASSY	33030040810	
MAIN BOARD / EFFECT LOOP JACK BOARD / PHONE JACK BOARD				
NOTE2: Replacement PCB ASSY does not include fuse. When you replace the PCB ASSY, be sure to order specific fuses separately. (refer to TABLE A)				
NOTE1: Replacement PCB ASSY includes the following parts.				
TABLE A				
	100V/117V	51S 2.5A/125V (44052500520)PNo.SS000137		
	230V/240V	50T T1.25A/250V(44011200520)PNo.SS000136		
IC				
	15189129	IC OP AMP TL072CP		IC1-5
TRANSISTOR				
	SS000003	TRANSISTOR KTA1266	21211266201	Q10,14,102,109
	SS000004	TRANSISTOR KTC3198	21233198200	Q13,16,17,18,20,22-24,101
	15139139	TRANSISTOR 2SK30AY		Q1-4,15,25,100
Δ	15119604	TRANSISTOR 2SB649AC	Q8,12,21	
Δ	15129604	TRANSISTOR 2SD669AC	Q7,9,11	
Δ	SS000117	TRANSISTOR 2SB816E	21320816054	Q6
Δ	SS000118	TRANSISTOR 2SD1046E	21341046054	Q5
DIODE				
	15019126	DIODE 1SS133	D1-5,8-14,18,26,27,28,100	
Δ	01459378	ZENER DIODE MTZJ2.0B	D22,23,101,102	
Δ	SS000108	ZENER DIODE 4.7V	D16,17	
Δ	SS000116	16V ZENER DIODE 1N4745A	D15,19,20	
# Δ	SS000119	BRIDGE DIODE KBPC606	21580806060	D21
	SS000122	LED KLR124	23030300001	D7
#	SS000123	LED KLG124	23030300021	D6

RESISTOR				
# Δ	SS000125	RESISTOR RS TYPE 220ohm/2W	26222000506	R13,89
# Δ	SS000124	CEM RES. RWC5 TYPE 0.33ohm/5W	26030000806	R55-57
POTENTIOMETER				
#	SS000011	POT. A50K V/R 16F	27311221504	VR2
#	SS000126	POT. A500K V/R 16F	27311221505	VR5
#	SS000127	POT. B10K V/R 16F	27311222104	VR6
	SS000012	POT. B20K V/R 16F	27311222204	VR3,4
	SS000013	POT. B250K V/R 16F	27311222255	VR1,7
	SS000015	POT. C10K V/R 16F	27311223104	VR8
CAPACITOR				
# Δ	SS000120	CAP.ELE.2200uF/50V	22322600500	C18,70
# Δ	SS000121	CAP.YE-472M 0.0047uF/250V	22847202500	C44,50
FUSE,FUSE HOLDER				
# Δ	SS000137	FUSE 100V/117V 51S 2.5A/125V	44052500520	
# Δ	SS000136	FUSE 230V/240V 50T T1.25A/250V	44011200520	
# Δ	SS000134	FUSE HOLDER 25MM	37520538211	
TERMINAL				
	SS000084	TERMINAL 187/0.5T	90001870082	CH-GND,L-GND,L-HOT,L-COLD, P-S,W,T-HOT,T-COLD
WIRING,CABLE				
# Δ	SS000080	REVERB CABLE	70125402001	
# Δ	SS000163	POWER SQUEEZER WIRE 2pin	70139602001	
# Δ	SS000164	POWER SQUEEZER WIRE 3pin	70139603001	
# Δ	SS000177	POWER LINE WIRE (BLK)		
# Δ	SS000178	POWER LINE WIRE 150MM (WHT)		
# Δ	SS000180	POWER LINE WIRE 100MM (WHT)		
#	SS000181	EXTERNAL SPEAKER WIRE (BLK)		
#	SS000182	EXTERNAL SPEAKER WIRE (WHT)		
#	SS000183	SPEAKER WIRE (BLK)		
#	SS000186	GND CABLE (BLK)		
# Δ	SS000187	LINE GND CABLE (YLW/GLY)230/240V ONLY		
#	SS000188	SEND/RETURN WIRE (WHT/BRU/YLW)		
#	SS000189	REVERB WIRE (YLW/BLU)		
#	SS000190	BOOST WIRE (YLW/BLU)		
#	SS000191	C/H SELECT WIRE (WHT/BLU)		
#	SS000192	POWER TR WIRE (RED/WHT/BLU)		
#	SS000198	SPEAKER WIRE (WHT)		
TRANSFORMER				
# Δ	SS000128	TRANSFORMER GC-408J 100V	28618580012	
# Δ	SS000129	TRANSFORMER GC-408U 117V	28628580012	
# Δ	SS000130	TRANSFORMER GC-408ES 230V	28648580012	
# Δ	SS000131	TRANSFORMER GC-408S 240V	28658580012	
AC CORD				
# Δ	SS000138	AC CORD 100V PHP209 VCTFK	51106350009	
	SS000034	AC CORD 117V KKP30A/SJT	51106350003	
	SS000035	AC CORD 230VD KKP4819R	51106350005	
	SS000036	AC CORD 230VE SRS.III	51106350008	
	SS000022	AC CORD 240V KKP550	51106350004	
SCREW				
	SS000050	TAPPING SCREW NI TH1 3.5x12	60000001402	For CORNER
	SS000171	TAPPING SCREW BK FH1 2.6x10	60000000202	For LOGO
	SS000047	TAPPING SCREW BK TH1 3.5x15	60000000404	For WIRE CLAMP
#	SS000145	TAPPING SCREW BK TH1 3.5x18	60000000405	For RUBBER FOOT
#	SS000151	TAPPING SCREW BK TH1 3.5x20	60041502025	For REVERB UNIT
#	SS000146	TAPPING SCREW BK TH1 3.5x35	60000000411	For BACK BOARD
#	SS000150	TAPPING SCREW BK OH1 3.5x15	60011501521	For VENT COVER
#	SS000049	TAPPING SCREW BK OH1 3.5x45	60000000410	For CABINET SIDE
#	SS000152	TAPPING SCREW NI FH1 3.5x15	60052501521	For ANGLE BRACKET
#	SS000147	MACHINE SCREW BK TH M4x20	60000000503	For SPEAKER
#	SS000148	MACHINE SCREW BK OH M4x25	60000000504	For CHASSIS
	SS000051	MACHINE SCREW NI OH M4x32	60000001507	For HANDLE BRACKET
	SS000052	MACHINE SCREW NA PHW M3x10	60000003305	For TR
	SS000053	MACHINE SCREW NA PHSW M4x10	60000003502	For HEAT SINK,GND,TRANS
	SS000054	WASHER BK NAVEL 4 FAI	60000009010	For CABINET TOP & SIDE
	SS000058	WASHER NA PLATE 7 FAI	60000009321	For VR
	SS000055	NUT BK ABS JACK	60000009062	For PHONE JACK
#	SS000149	BK T NUT M4	60000009090	For CABINET BAFFLE BOARD & TOP BOARD
	SS000059	NUT NA FURANCH M4	60000009350	For TRANS,GND
	SS000060	NUT NA 6N-M7	60000009362	For VR
PACKING CASE				
#	SS000142	OUTER PACKING	55112000000	
MISCELLANEOUS				
	SS000067	RUBBER BUSH BR-01	60320000001	For SPEAKER CABLE
#	SS000156	RUBBER SHEET	60331510000	For BAFFLE BOARD
#	SS000158	SUPPORT DABS 16R	60351600000	For PCB
	SS000069	STRAIN RELIEF 4NF/16	60370000002	For REVERB CORD
Δ	SS000070	STRAIN RELIEF 5NF/16	60370000003	For AC CORD 100,230E,230D,240V
Δ	SS000071	STRAIN RELIEF 6NR/16	60370000004	For AC CORD 117V
# Δ	SS000162	HEAT SINK HS-16	60610460015	
# Δ	SS000165	INSULATING SHEET SET TO-3	90000100301	For Q5,Q6
# Δ	SS000159	COUPLER COVER 521201	60362521201	For 117V AC SWITCH
# Δ	SS000107	GLUE 1603HFR HAN NONG POLYMER CO LTD		For 117V AC SWITCH
	40124690	FUSE CAUTION STICKER		
	40017089	SWITCH CAUTION STICKER		
	40013812	EARTH SEAL		
ACCESSORIES(Standard)				
#	SS000103	OWNER'S MANUAL ENGLISH		
#	SS000104	OWNER'S MANUAL JAPANESE		

GC-408S PARTS LIST

<p>SAFETY PRECAUTIONS:* The parts marked Δ have safety-related characteristics. Use only listed parts for replacement.</p>	<p>CONSIDERATIONS ON PARTS ORDERING When ordering any parts listed in the parts list, please specify the following items in the order sheet.</p> <table border="1"> <thead> <tr> <th>QTY</th> <th>PART NUMBER</th> <th>DESCRIPTION</th> <th>MODEL NUMBER</th> </tr> </thead> <tbody> <tr> <td>Ex. 10</td> <td>22575241</td> <td>Sharp Key</td> <td>C-20/50</td> </tr> <tr> <td>15</td> <td>2247017300</td> <td>Knob (orange)</td> <td>DAC-15D</td> </tr> </tbody> </table> <p>Failure to completely fill the above items with correct number and description will result in delayed or even undelivered replacement.</p>	QTY	PART NUMBER	DESCRIPTION	MODEL NUMBER	Ex. 10	22575241	Sharp Key	C-20/50	15	2247017300	Knob (orange)	DAC-15D
QTY	PART NUMBER	DESCRIPTION	MODEL NUMBER										
Ex. 10	22575241	Sharp Key	C-20/50										
15	2247017300	Knob (orange)	DAC-15D										

NOTE1: The parts marked # are new.
NOTE2: The parts marked # have safety-related characteristics. Use only listed parts for replacement.

CABINET			
#	SS000140	CABINET ASSY GC-408S	52114000000
NOTE1: Replacement CABINET ASSY includes the following parts			
#	SS000160	RUBBER FOOT RF-02	60381030001
	SS000070	CORNER CSN-03	60420220001
	SS000076	HANDLE HDBK-02	60513110001
	SS000077	HANDLE BRAKET HBNI-02	60523020001
	SS000156	RUBBER SHEET	60331510000
#	SS000111	BAFFLE BOARD ASSY GC-408S	
NOTE2: Replacement BAFFLE BOARD ASSY includes the following parts.			
#	SS000161	LOGO ROLAND(LARGE)	60391310101
	SS000167	ANGLE BRACKET	90120100000
	SS000109	BACK BOARD ASSY	
NOTE3: Replacement BACK BOARD includes the following parts.			
#	SS000168	BACK PLATE	90140000001 For BACK BOARD
JACK			
	SS000115	PHONE JACK MONO 12.5M/M	JK10
SPEAKER			
# Δ	SS000135	SPEAKER GC-408/S	40160908034
WIRING,CABLE			
#	SS000183	SPEAKER WIRE (BLK)	
#	SS000196	SPEAKER SYSTEM WIRE (WHT)	
#	SS000197	SPEAKER SYSTEM WIRE (BLK)	
#	SS000198	SPEAKER WIRE (WHT)	
SCREW			
	SS000050	TAPPING SCREW NI TH1 3.5x12	60000001402 For CORNER
	SS000171	TAPPING SCREW BK FH1 2.6x10	60000000202 For LOGO
	SS000144	TAPPING SCREW BK TH1 3.5x10	60000000401 For BACK PLATE
	SS000047	TAPPING SCREW BK TH1 3.5x15	60000000404 For WIRE CLAMP
#	SS000145	TAPPING SCREW BK TH1 3.5x18	60000000405 For RUBBER FOOT
#	SS000049	TAPPING SCREW BK OH1 3.5x45	60000000410 For CABINET SIDE
#	SS000146	TAPPING SCREW BK TH1 3.5x35	60000000411 For BACK BOARD
#	SS000152	TAPPING SCREW NI FH1 3.5x15	60052501521 For ANGLE BRACKET
#	SS000147	MACHINE SCREW BK TH M4x20	60000000503 For SPEAKER
	SS000051	MACHINE SCREW NI OH M4x32	60000001507 For HANDLE BRACKET
	SS000054	WASHER BK NAVEL 4 FAI	60000009010 For CABINET TOP & SIDE
	SS000055	NUT BK ABS JACK	60000009062 For PHONE JACK
#	SS000149	BK T NUT M4	60000009090 For CABINET BAFFLE BOARD
PACKING CASE			
#	SS000143	OUTER PACKING	55114000000
MISCELLANEOUS			
#	SS000156	RUBBER SHEET	60331510000 For BAFFLE BOARD
ACCESSORIES(Standard)			
#	SS000105	OWNER'S MAMUAL ENGLISH	
#	SS000106	OWNER'S MANUAL JAPANESE	
#	SS000155	EXT S/P CABLE GC-408S	60207004082

1 2 3 4 5 6 7 8 9 10 11 12 13 14 15 16 17 18 19 20 21 22 23 24 25 26 27 28

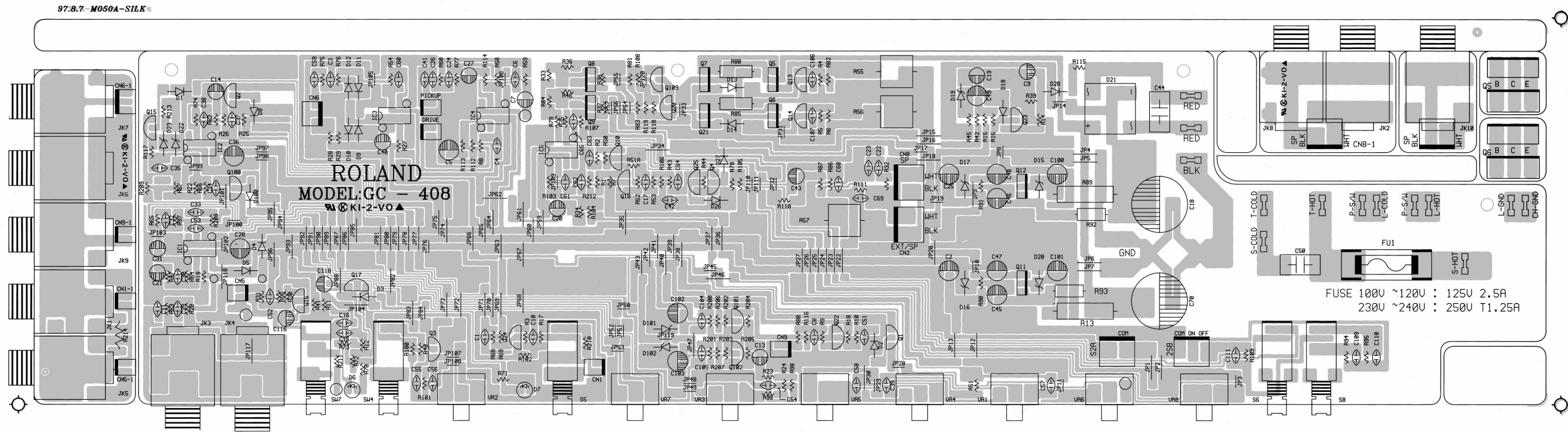
A CIRCUI BOARD

CHANGE INFORMATION

The PCB ASSY has reviced from the 2nd lot.
There is no difference in circuit structure.
(The following diagram is effective for 1st lot.
Until Serial No.ZK21099.)

SERVICE RESPONCE

Unnecessary since the circuit structure
of PCB ASSY fas not been changed.



B
C
D
E
F
G
H
I
J
K
L
M
N
O
P
Q
R
S
T
U

1 2 3 4 5 6 7 8 9 10 11 12 13 14 15 16 17 18 19 20 21 22 23 24 25 26 27 28

A CIRCUIT DIAGRAM

B
C
D
E
F
G
H
I
J
K
L
M
N
O
P
Q
R
S
T
U

