

HP-555G

ROLAND PIANO DIGITAL

SERVICE NOTES

First Edition

Issued by RJA

TABLE OF CONTENTS

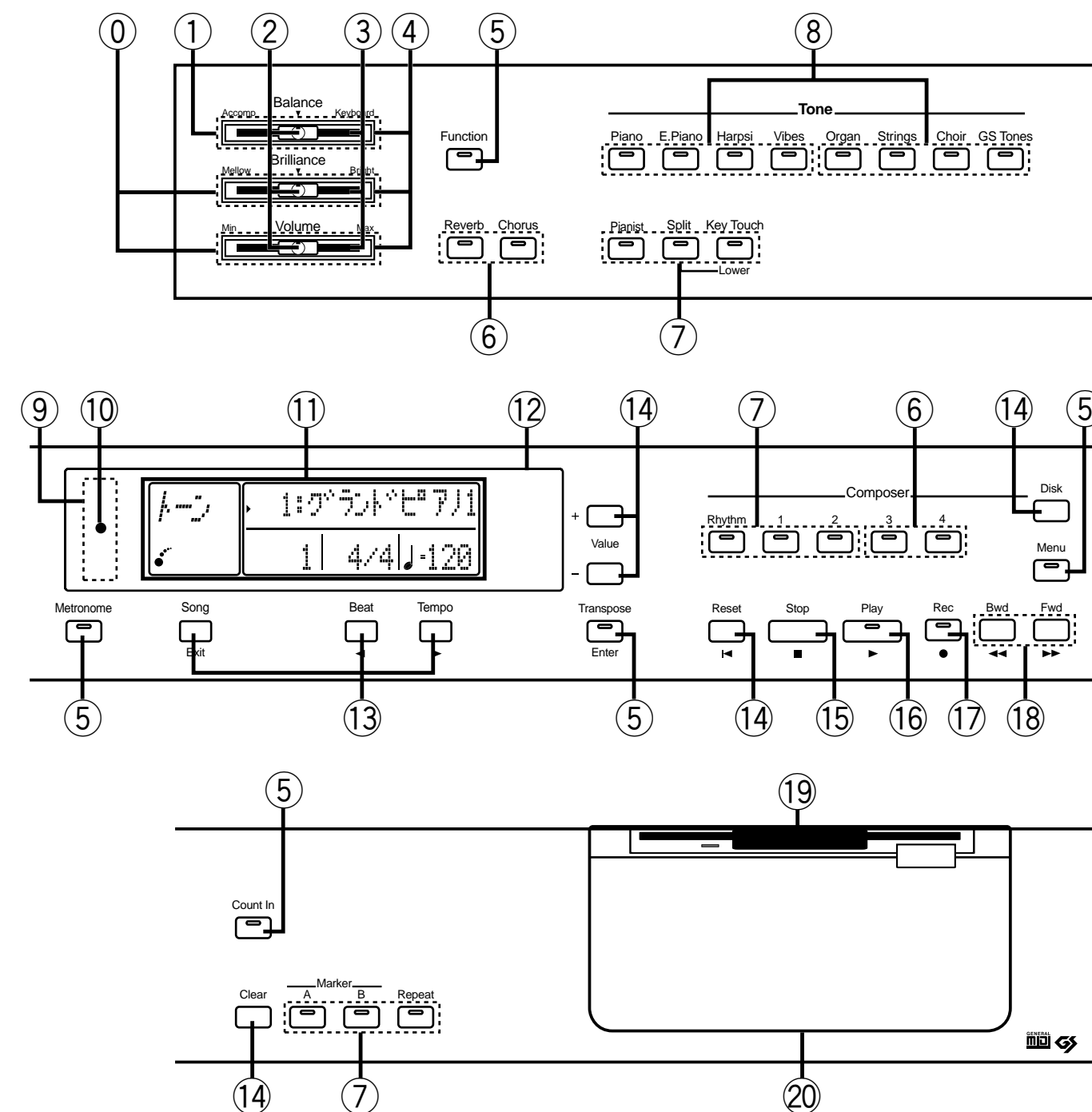
	Page
GENERAL VIEW	1
PANEL LAYOUT	1
PANEL LAYOUT PARTS LIST	1
SPECIFICATIONS	2
EXPLODED VIEW	3
PARTS LIST OF EXPLODED	4
PARTS LIST	4
CHECKING THE VERSION NUMBER	8
HOW TO UPDATE THE FLASH MEMORY	8
TEST MODE	9
STAND ASSEMBLY	15
STAND EXPLODED VIEW	17
STAND PARTS LIST	18
STAND EXPLODED VIEW	19
STAND PARTSLIST	20
REPLACING FDD	20
PEDAL UNIT EXPLODED VIEW	21
CONNECT BOARD PARTS LIST	21
CONNECT BOARD CIRCUIT DIAGRAM	21
KEYBOARD DISASSEMBLY	22
KEYBOARD PARTS LIST	23
KEYBOARD PA-4A88-C2 CIRCUIT BOARD	23
KEYBOARD PA-4A88-C2 CIRCUIT DIAGRAM	24
BLOCK DIAGRAM	25
CIRCUIT BOARD (MAIN)	26
CIRCUIT DIAGRAM (MAIN)	27
CIRCUIT BOARD (PANEL L)	28
CIRCUIT BOARD (PANEL R)	29
CIRCUIT DIAGRAM (PANEL L / PANEL R)	30
CIRCUIT BOARD (FRONT JACK, ANALOG ,INLET)	31
CIRCUIT DIAGRAM (FRONT JACK, ANALOG ,INLET)	32
CIRCUIT BOARD (MIC)	33
CIRCUIT BOARD (LCD B)	33
CIRCUIT DIAGRAM (MIC)	34
CIRCUIT DIAGRAM (LCD B)	34

GENERAL VIEW



PANEL LAYOUT

FRONT VIEW



PANEL LAYOUT PARTS LIST

No.	Pno.	Part Name	No.	Pno.	Part Name
①	00671556	SLIDE POT. EWANNKX10B14	⑪	71013990	LCD UNIT
②	00346178	SLIDE POT. RS30111CA	⑫	01346201	HP-535 DISPLAY COVER
③	22485192	I S-KNOB S BLK/LCG	⑬	01125901	D S-KEYTOP SX1H-A BLK
④	22245194	POT DUST COVER M 1H	⑭	00900189	D S-KEYTOP SX1H BLK
⑤	32225353	I S-ESCT SX1V BLK L=30	⑮	22495340	D S-KEYTOP MX1H DWG
⑥	00900145	D S-KEYTOP SD1H BLK	⑯	22495312	D S-KEYTOP MD1H MCG
⑦	00900156	D S-KEYTOP SD2H BLK	⑰	01013023	D S-KEYTOP SD1H DRD
⑧	00900167	D S-KEYTOP SD3H BLK	⑱	00900190	D S-KEYTOP SX2H BLK
⑨	00900178	D S-KEYTOP SD4H BLK	⑲	01341956	FDD MF355F-3252MG
⑩	01346390	HP-535 ISOLATOR LED SPONGE	⑳	01011923	ESCUTCHEON FDD
	01121689	LED SPR-325MVWT31			

Copyright © 1998 by ROLAND CORPORATION

All rights reserved. No part of this publication may be reproduced in any form without the written permission of ROLAND CORPORATION.

SPECIFICATIONS

HP-555G :ROLAND DIGITAL PIANO

<Keyboard>

- **Keyboard**
:88 keys Hammer action mechanism
- **TouchSensitivity**
:Preset:3 Levels, User Programs:60 levels
- **Keyboard Mode**
:Whole
:Split(adjustable split point)
:Dual
:Pianist
:Manual Drum/SFX

<Sound Source> Conforms to GM/GS

- **Max.Polyphony**
:64 voices
- **Tones**
:8 groups 378 variations (incl.8 drum sets,1 SFX set)
- **Temperament**
:7 types, selectable tonic
- **Stretched Tuning**
:2 types
- **Master Tuning**
:415.3 Hz ~ 466.2 Hz (0.1 Hz Step)
- **Transpose**
:Key Transpose (-6 ~ +5 Half-steps)
:Playback Transpose (-24 ~ +24 Half-steps)
- **Effects**
:Reverb(8 types / 10 levels), Chorus(8 types / 10 levels)
:Sympathetic Resonance(10 levels)

<Arranger>

- **Music Styles**
:22 Pianist Styles
- **Control**
:Start/Stop
:Intro/Ending

<Composer>

- **Metronome**
:Beat: 2/2,0/4,2/4,3/4,4/4,5/4,6/4,7/4,3/8,6/8,9/8,12/8
:Volume:10 levels
:Metronome Pattern:11 patterns
:Sounds:4 types
- **Tracks**
:5/16 tracks
- **Song**
:1 song
- **Note Storage**
:Approx. 30,000 notes
- **Tempo**
:Quarter note = 20 to 250
- **Resolution**
:120 ticks per quarter note
- **Recording Method**
:Realtime(Replace, MIX, Auto Punch In, Manual Punch In, Loop, Tempo)
:Beat Map
- **Edit**
:Copy / Quantize / Delete, Insert / Erase, Transpose / Part Exchange / Note Edit / PC Edit
- **Rhythm Pattern**
:30 patterns
- **Control**
:Song Select / Reset / Stop / Play / Rec / Bwd / Fwd / AllSongPlay /
Track Select / PlaybackBalance / Marker Set, Repeat / Count In

<Disk Drive / Disk Storage>

3.5 inch Micro Floppy Disk Drive

- **Disk Format**
:720K byte (2DD) / 1.44M byte (2HD)
- **Song**
:99 Songs
- **Note Storage**
:Approx.120,000 notes (2DD)
:Approx.240,000 notes (2HD)
- **Playable Software**
:Standard MIDI File (0/1)
:Roland Original Format (i-format)
- **Save**
:Standard MIDI File (Format 0)
:Roland OriginalFormat (i-format)

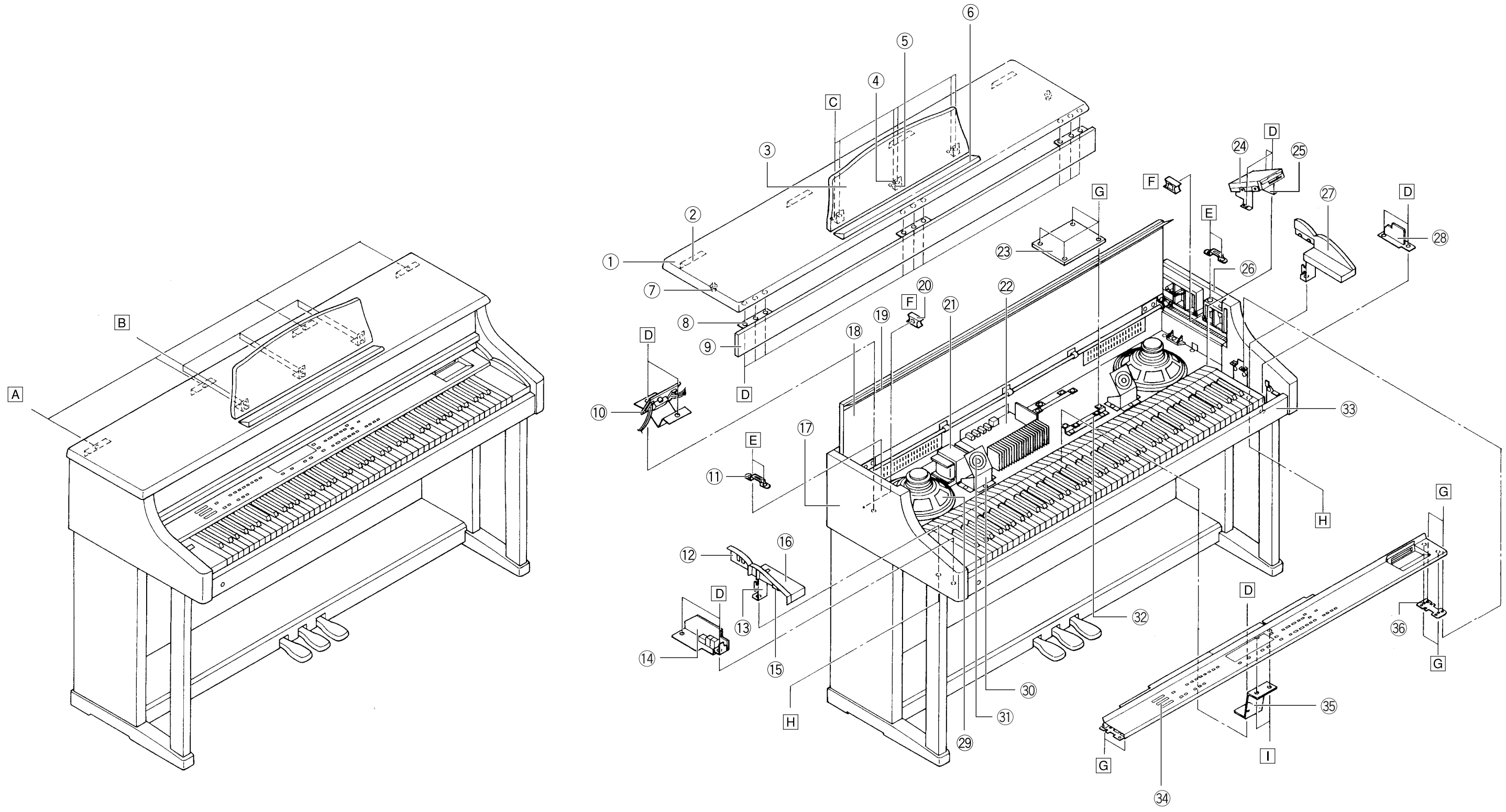
<Others>

- **Rated Power Output**
:30 W x 2
- **Speakers**
:20cm x 2 ,5cm x 2
- **Display**
:Beat Indicator
:Large custom LCD
:Bouncing Ball
- **Language**
:English / Japanese
- **Lyric**
:Yes(Built-in Display, MIDI Out)
- **Control**
:Volume
:Microphone Volume
:Microphone Echo
:Brilliance
- **Pedals**
:Damper(half-pedal recognition)
:Soft(half-pedal recognition / Function assignable)
:Sostenuto(Function assignable)
- **Other Functions**
:Panel Lock
- **Connectors**
:Output jacks (Stereo/Mono)
:Input jacks (Stereo/Mono)
:Microphone jack(with echo)
:Headphone jack x2 (Stereo)
:MIDI IN connector x2 / MIDI OUT connector
:Computer connector
:Pedal Connector (8 pin DIN type)
- 1 Power supply
:AC117V/AC230V/AC240V
- **PowerConsumption**
:90W(117V)/72W(230V)/72W(240V)
- **Cabinet finish**
:Satin Mahogany
- **Dimensions(including Piano Stand)**
:1,445 mm(W) x 528 mm(D) x 920 mm(H)
:56-15/16(W) x 20-3/4 (D) x 36-1/4(H) inches
- **Weights(including piano Stand)**
:69.8 kg / 153 lbs 15 oz
- **Accessories**
:Owner's manual English (71121034)
:Power cord 100V : (13499219)
117V : (13499220)
230V : (13499221)
240V : (13499222)
:Euro converter plug(230V only) (00905234)
:Pianist Panel Sheet English (40239445)

1 2 3 4 5 6 7 8 9 10 11 12 13 14 15 16 17 18 19 20 21 22 23 24 25 26 27 28 29 30 31 32 33 34 35 36 37 38 39 40

A EXPLODED VIEW

B
C
D
E
F
G
H
I
J
K
L
M
N
O
P
Q
R
S
T
U
V



NOTE
 The cushion under the UPPER BLIND is #01452501 UPPER BLIND CUSHION.

PARTS LIST OF EXPLODED

No.	Pno.	Part Name	No.	Pno.	Part Name
①	01346167	TOP BOARD	Ⓐ	40011123	BINDING TAPTITE B 4*8 BZC
②	00900478	TOP BOARD HOLDER	Ⓑ	40011312	BINDING TAPTITE P 3*8 BZC
③	01346190	MUSIC REST	Ⓒ	40012178	TPA BIND 3 x 12 BZC
④	22325182	MR HINGE ASSY	Ⓓ	40012145	TPA TRUSS 4 x 14 BZC
⑤	01234656	HINGE CUSHION A	Ⓔ	40012490	PAN TAPTITE P 4 x 10 BZC
⑥	01452490	MUSIC STOPPER	Ⓕ	40011323	PAN TAPTITE P 3 x 10 BZC
⑦	00239367	SHOULDER SCREW 1165	Ⓖ	40011056	BINDING TAPTITE B 3 x 6 ZC
⑧	01346256	UPPER HOLDER	Ⓗ	40128512	BINDING TAPTITE B WH 4 x 25 x 20 BZC W=11
⑨	01346234	UPPER BLIND	Ⓘ	40011101	BINDING TAPTITE B 3 x 8 BZC
⑩	71011878	PAB3 INLET 100/117V			
⑪	00900534	BRACKET			
⑫	01455767	END BLOCK L			
⑬	01344467	SW HOLDER			
⑭	71011867	PAB3 FRONT JACK BRD			
⑮	13129139	AC PUSH SWITCH			
⑯	22495576	A S-BUTTON LX BLK			
⑰	71012234	SIDE PANEL L ASSY			
⑱	01346178	LID BOARD			
⑲	71015512	LID BLIND ASSY			
⑳	01017134	LID RAIL STOPPER			
㉑	01450212	PWR TRANS 01450212 UNIVERSAL			
㉒	71121767	PAB3 ANALOG PHANTOM			
㉓	71012690	MAIN BOARD ASSY			
㉔	01341956	FDD MF355F-3252MG			
㉕	01013089	DD HOLDER			
㉖	71012223	SIDE PANEL R ASSY			
㉗	01455778	END BLOCK R			
㉘	71011901	MIC BOARD ASSY			
㉙	01349778	FULL-RANGE PD-20103A3			
㉚	00904145	TW HOLDER			
㉛	00904090	TWEETER TW-5104A			
㉜	00900467	PWB HOLDER			
㉝	01346245	LOWER BLIND			
㉞	01454590	FRONT PANEL			
㉟	00900289	CENTER HOLDER			
㊱	00900567	PANEL HOLDER FP			

PARTS LIST

<p>SAFETY PRECAUTION: The parts marked Δ have safety-related characteristics. Use only listed parts for replacement.</p>	<p>CONSIDERATIONS ON PARTS ORDERING When ordering any parts listed in the parts list, please specify the following items in the order sheet.</p> <table border="0"> <thead> <tr> <th>QTY</th> <th>PART NUMBER</th> <th>DESCRIPTION</th> <th>MODEL NUMBER</th> </tr> </thead> <tbody> <tr> <td>Ex. 10</td> <td>22575241</td> <td>Sharp key</td> <td>C-20/50</td> </tr> <tr> <td>15</td> <td>2247017300</td> <td>Knob (orange)</td> <td>DAC-15D</td> </tr> </tbody> </table> <p>Failure to completely fill the above items with correct number and description will result in delayed or even undelivered replacement.</p>	QTY	PART NUMBER	DESCRIPTION	MODEL NUMBER	Ex. 10	22575241	Sharp key	C-20/50	15	2247017300	Knob (orange)	DAC-15D	<table border="0"> <tr><td>MB</td><td>: MAIN BOARD</td></tr> <tr><td>PLB</td><td>: PANEL L BOARD</td></tr> <tr><td>PRB</td><td>: PANEL R BOARD</td></tr> <tr><td>IB</td><td>: INLET BOARD</td></tr> <tr><td>EB</td><td>: EQ BOARD</td></tr> <tr><td>PAB</td><td>: PAB ANALOG BOARD</td></tr> <tr><td>LAB</td><td>: LCD A BOARD</td></tr> <tr><td>LBB</td><td>: LCD B BOARD</td></tr> <tr><td>MIC</td><td>: MIC BOARD</td></tr> <tr><td>FJB</td><td>: FRONT JACK BOARD</td></tr> </table>	MB	: MAIN BOARD	PLB	: PANEL L BOARD	PRB	: PANEL R BOARD	IB	: INLET BOARD	EB	: EQ BOARD	PAB	: PAB ANALOG BOARD	LAB	: LCD A BOARD	LBB	: LCD B BOARD	MIC	: MIC BOARD	FJB	: FRONT JACK BOARD
QTY	PART NUMBER	DESCRIPTION	MODEL NUMBER																															
Ex. 10	22575241	Sharp key	C-20/50																															
15	2247017300	Knob (orange)	DAC-15D																															
MB	: MAIN BOARD																																	
PLB	: PANEL L BOARD																																	
PRB	: PANEL R BOARD																																	
IB	: INLET BOARD																																	
EB	: EQ BOARD																																	
PAB	: PAB ANALOG BOARD																																	
LAB	: LCD A BOARD																																	
LBB	: LCD B BOARD																																	
MIC	: MIC BOARD																																	
FJB	: FRONT JACK BOARD																																	

NOTE : The parts marked # are new (initial parts).

CASING

01346167	TOP BOARD
01346190	MUSIC REST
22325182	MR HINGE ASSY
01452490	MUSIC STOPPER
01346178	LID BOARD
71015512	LID BLIND ASSY
01346334	LID BLIND CUSHION
01346189	LID BLIND
01346234	UPPER BLIND
01346245	LOWER BLIND
01346223	REAR PANEL
01454590	FRONT PANEL
32225353	I S-ESCT SX1V BLK L=30
00341778	KEY FELT
01346201	DISPLAY COVER
00890990	ROLAND BADGE 12 GOLD
01455767	END BLOCK L
01455778	END BLOCK R
01346323	LID CUSHION
01452501	UPPER BLIND CUSHION
00121945	SPEAKER COVER
01011923	ESCUTCHEON FDD
71012267	BOTTOM BOARD

NOTE : BOTTOM BOARD ASSY includes the following parts.

00569156	CUSHION T1 x 25 x 1200
01011534	CUSHION

71012223 SIDE PANEL R ASSY

NOTE : SIDE PANEL R ASSY includes the following parts.

*****	SIDE PANEL R
00900534	BRACKET
00900512	PANEL HOLDER R
00900523	SIDE PLATE R

71012234 SIDE PANEL L ASSY

NOTE : SIDE PANEL L ASSY includes the following parts.

*****	SIDE PANEL L
00900534	BRACKET
00900490	PANEL HOLDER L
00900501	SIDE PLATE L

CHASSIS

00900390	LID SHAFT
01017134	LID RAIL STOPPER
00900356	LID ANGLE
22175664	LID GEAR
00900478	TOP BOARD HOLDER
00900289	CENTER HOLDER
00900490	PANEL HOLDER L
00900512	PANEL HOLDER R

00900467 PWB HOLDER
 22245194 POT DUST COVER M 1H
 22145199 SHAFT STAY L
 22145901 SHAFT STAY R
 01234656 HINGE CUSHION A
 01011390 SHAFT CUSHION
 00900567 PANEL HOLDER FP
 01346267 BLIND ANGLE
 00904145 TW-HOLDER
 01344467 SW HOLDER
 01346256 UPPER HOLDER
 01453267 DISPLAY HOLDER
 00569156 CUSHION T1 x 25 x 1200
 01011534 CUSHION
 01013089 DD HOLDER
 22265242 DD INSULATOR
 22165134 COLLAR
 01454301 LED SPACER LH-36-5
 12339355 SWITCH COVER 721128-18
 01346390 ISOLATOR LED SPONGE

KNOB,BUTTON

22495312 D S-KEYTOP MD1H MCG
 22495340 D S-KEYTOP MX1H DWG
 00900145 D S-KEYTOP SD1H BLK
 01013023 D S-KEYTOP SD1H DRD
 00900156 D S-KEYTOP SD2H BLK
 00900167 D S-KEYTOP SD3H BLK
 00900178 D S-KEYTOP SD4H BLK
 00900189 D S-KEYTOP SX1H BLK
 01125901 D S-KEYTOP SX1H-A BLK
 00900190 D S-KEYTOP SX2H BLK
 22495576 A S-BUTTON LX BLK
 22485192 I S-KNOB S BLK/LCG

SWITCH

13169752 EVQ 213 05R TACT SWITCH SW1,4-13,15-17 on PLB, SW1-18 on PRB
 01340290 EVQ11A TACT SWITCH SW2,3,4,8 on LBB
 13169626 SKHJAB 005A TACT SWITCH SW1,5,7 on LBB
 13129139 SDDLBl-A-D-2 TV-5 5A/250V AC PUSH SWITCH
 13159363 SSSF124-S09N-1 SLIDE SWITCH SW301 on FJB

JACK, SOCKET

13449283 HLJ7101-01-3010 LACK 6.5MM PHONE JK1-4 on PAB
 23425740 INL-8 10A/125V 2P PO AC INLET JK401 on PAB3 IB
 13429911 TCS7927-28-401 DIN JK304 on FJB
 13449252 YKB21-5006 STEREO PHONE JK301,302 on FJB, JK1on MIC
 00340223 YKF51-5031 DIN JK5 on PAB
 13429672 YKF51-5047 DIN JK303 on FJB
 13429676 YKF51-5048 DIN JK6 on PAB

LCD UNIT

71013990 LCD UNIT

FLOPPY DISK DRIVE

01341956 FDD MF355F-3252MG

SPEAKER

01349778 FULL-RANGE PD-20103A3
 00904090 TWEETER TW-5104A

KEYBOARD ASSY

71017401 PA-4A88-C2 KEYBOARD ASSY
 NOTE : For details, please refer to KEYBOARD PARTS LIST. (Page. 22)

PCB ASSY

71012690 MAIN BOARD ASSY
 71012712 PANEL L BOARD ASSY

NOTE1: PANEL L BOARD ASSY includes the following parts.

01450034 WIRING 12X400-P2.0-51065-51015-F
 01450045 WIRING 8X400-P2.0-51065-51015-F
 01450023 WIRING 9X350-P2.0-51065-51015-F

71012723 PANEL R BOARD ASSY

NOTE1: PANEL R BOARD ASSY includes the following parts.

01452712 WIRING 10X100-P2.0-51065-51015-F
 01452734 WIRING 14X350-P2.0-51065-51015-F
 01452723 WIRING 15X400-P2.0-51065-51015-F

71011878 PAB3 INLET 100/117V

NOTE1: PAB3 INLET 100/117V includes the following parts.

23425740 INL-8 10A/125V 2P PO AC INLET
 12559444 5x20 SB 4 4A/125V FUSE
 00129367 INLET HOLDER

NOTE2: Replacemant IB PAB3 INLET ASSY is for 100/117V version exclusive use.

When using PAB3 INLET ASSY for 230V/240V version, be sure to make the following modifications.

1. IB FOR 100/117V version differs from 230V version in FUSE system. Replace fuse(F1 on IB) to specific one.(#12559550 FUSE 5x20 S506 1.6A T1.6AL250V for 230V version) See TABLE A.
2. For safety standards, place fuse seal (#40013712 FUSE SEAL T1.6AL250V #407) at the proper place of the IB. The location of fuse seal is over the following printing (see fig A) of the PWB. When necessary, please order fuse seal separately from IB.

TABLE A

100V/117V	FUSE 5 x 20 SB 4 4A/125V
230V/240V	FUSE 5 x 20 S506 1.6A T1.6AL250V

Fig.A

3.15A/125V

71121767 PAB3 ANALOG PHANTOM

NOTE : PAB3 ANALOG PHANTOM includes the following PWBs.

***** PAB3 EQ BOARD ASSY
 ***** PAB3 ANALOG BOARD

NOTE : PAB3 ANALOG BOARD includes the following parts.

22195975 TR HOLDER
 22195973 POWER AMP HOLDER
 01349990 WIRING W4 WIRING CN501 on PAB
 01349978 7X250-P2.0-PH-SAN-F WIRING CN7 on PAB
 01349912 12X130-P2.0-PH-SAN-F WIRING CN16 on PAB
 01346423 HEATSINK
 01346412 PAB HOLDER
 12199584 GROUNDING TERMINAL M1698

71011901 MIC BOARD ASSY

NOTE : MIC BOARD ASSY includes the following parts.

22150756 JACK NUT 2
 01344489 MIC HOLDER

71011867 PAB3 FRONT JACK BRD
NOTE : PAB3 FRONT JACK BOARD includes the following parts.

01344545 JACK HOLDER

71012167 LCD B BOARD ASSY
NOTE : LCD B BOARD ASSY includes the following parts.

01454301 LED SPACER LH-36-5
01453267 DISPLAY HOLDER

IC

01344278	HD6437034AD72F	CPU	IC3 on MB
00129278	SSC1080F0B	CUSTOM IC	IC1 on MB
00343823	M60205-0601FP	CUSTOM IC	IC8 on MB
00897078	RA01-005 (TC170C200AF-005)	CUSTOM IC	IC13 on MB
01341167	LH28F400SUT-NF60	FLASH MEMORY	IC38 on MB
01453689	LH5S86NO DEMO	MASK ROM	IC15 on MB
01344245	LHMNOPYL WAVE	MASK ROM	IC18 on MB
01126612	TC514260DJS-60(YEL)	DRAM	IC22,23 on MB
15199904	IC M51953BL-600Y	RESET IC	IC9 on PLB, 'IC13 on PAB
15199923	SED1278F0A	LCD DRIVER	IC2 on LAB
15199780	HD63266F	FDC	IC2 on MB
00232567	PCM69AU-1/T2	DAC	IC5 on MB
00780645	IC M5M34051P RS422 TRANSCEIVER	TRANSCEIVER	IC303 on FJB
00899756	NJU6417CFC1	LCD-DRIVER	IC1 on LAB
01126778	24LC01BT-I/SN	EEPROM	IC32 on MB
01238012	DIGITAL ECHO IC M65850P	ECHO IC M65850P	IC2 on MIC
01340467	STK401-040	POWER AMP	IC12 on PAB
15289105	UPC4570G2	BIPOLAR OP-AMP	IC4,12 on MB
15189184	NE5532	BIPOLAR OP-AMP	IC201,202 on EB
15189189	UPC4570HA	BIPOLAR OP-AMP	IC3,4 on MIC, IC6,7,8,9 on PAB
15189250	M5218AL	BIPOLAR OP-AMP	IC1,4 on PAB, 'IC5,7,8 on PLB
15199221	AN78M12F	REGULATOR(+12V)	IC5 on PAB
00236067	AN79M12F	REGULATOR(-12V)	IC3 on PAB
15289402	REGULATOR TA78L05F(TE12L)	REGULATOR(+5V)	IC6 on MB
15199231	UPC78L05J-T	REGULATOR(+5V)	IC1 on MIC
01344512	UPC24A05HF	REGULATOR(+5V)	IC2 on PAB
15169515	TC74HC00AP	CMOS	IC301 on FJB
15259884	TC7S08F (TE85L)	CMOS	IC33 on MB
15259885	TC7S32F(TE85L)	CMOS	IC11,26 on MB
00127490	TC7W08F(TE12L)	CMOS	IC19 on MB
00232645	TC7W14F(TE12L)	CMOS	IC35 on MB
15169550T0	TC74HC138AP	CMOS	IC3,4 on PLB
15169556T0	TC74HC574AP	CMOS	IC1 on PLB
01349590	TC7WU04FU(TE12L)	CMOS	IC7 on MB
15169304H0	HD74LS04P	TTL	IC11 on PAB
15229706S0	PC910X	PHOTO COUPLER	IC302 on FJB, IC10 on PAB

TRANSISTOR

00898201	RN2421(TE85L)	DIGITAL TR	Q1 on MB
15119132	2SA1015-GR(TPE2)	BIPOLAR	Q3,4 ,10,15 on PAB
15119615	2SB647CTZ	BIPOLAR	Q17 on PAB
15129151	2SC1815-GR(TPE2)	BIPOLAR	Q2,5,13,18,19 on PAB
15129152	2SC2878-A(TPE2)	BIPOLAR	Q1,8 on PAB
15129623	2SD667CTZ	BIPOLAR	Q16 on PAB
15139124	2SK363-GR(TPE2)	J FET	Q6,7,11,12 PAB
15129168	DTC124ESATP	DIGITAL TR	Q21,22 PAB
15119163	RN2227(TPE4)	DIGITAL TR	Q301 on FJB, Q1,2,3 on PLB, Q1,2,3,4 on PRB, Q14,20,23 PAB
00456856	TD 62593AP TR ARRAY	IC2 on PLB	

DIODE

01121323	DA204U T100ARRAY	DA1,2,3,4,8 on MB	
15039176	D3SBA20 4A/200V	BRIDGE	D1,D15 on PAB
15019126	1SS133 T-77	SWITCHING	D302 on FJB , D1-4 on MIC, D1-2,D4-8 LBB, D1, 4-13,15-17,20,21 on PLB, 'D1-18 on PRB, D5-8,12,18,22-24 on PAB
15019685	MTZJ T-77 27C	ZENER	D303,304,305,306,307,308 on FJB

15019444 MTZJ T-77 9.1B ZENER D17,20,21 on PAB
15039159T0 S5688G(TPA3) RECTIFIER D3,4,9,10,11,13,14,19 on PAB

OPTICAL DEVICE

01346489	LED LNJ308G8LRA	LED	LED1-72 on LAB
01345445	L-1384AD/1ID	LED(ANGLE)	D301 on FJB
15039245	LED SEL6210S TP5	LED	on LBB, LED1,4-13,15,17 on PLB, LED1-5, 7-10,12-14 on PRB
01121689	LED SPR-325MVWT31	LED	LED2 on LBB, LED17 on PLB

RESISTOR

00120778	MCR50 JZH J 8R2	METAL FILM	R7 on LAB
01014278	ERDS1VJ331T	CARBON	R1,2 on PAB
15399965	RCE9A103JAG7A	ARRAY	RA1,4,6-12,28 on MB
00126112	EXBV8V101JV	ARRAY	RA2,3,5,19,30-32,38-40 on MB
15409113	EXBV8V103JV	ARRAY	RA13-18,20-23,34,35,41 on MB
01013578	EXBV8V470JV	ARRAY	RA24,25,26,27 on MB
01011845	EXBV8VR000V	ARRAY	RA29 on MB

POTENTIOMETER

01348189	12M/M EVJ05HEB1B14 with NUT	ROTARY	VR1,2 on MIC
00346178	30M/M RS30111CA	SLIDE	VR3 on PLB
00671556	30M/M. EWANNKX10B14(10KBX2)	SLIDE	VR1,2 on PLB

CAPACITOR

01453278	DE1307E 472M-KH	CERAMIC	C401 on IB
15369152	ECEV1CA100SR	CHEMICAL	C135,136,162 on MB
15369154	ECEV1CA330WR	CHEMICAL	C12,13,29,30,90-93,96,99,100,102,138,190,191, 194-196,198 on MB
15359780	ECHU1H152JB5	POLYEST	C176,C177 on MB
01015889	ECHU1H471JB5	POLYEST	C178,C179,C192,C193 on MB
15359774	ECHU1H681JB5	POLYEST	C174,175 on MB
15369109	ECEV0JA101SP	CHEMICAL	C85 on MB
01340389	ECOS1VP682BB	BLOCK	C39,51 on PAB
01452189	ECKDBE472ZF	CERAMIC	C5,44 on PAB
13639144M0	ECALCM682	CHEMICAL	C22 on PAB
15369154	ECEV1CA330WR	CHEMICAL	C8 on LAB

FILTER

01455623	N2012Z102T01	FERRITE-BEAD	L1-21 on MB
12449380	EXC ELDR25V	FERRITE-BEAD	L301-311 on FJB
01346389	RUBBER CONNECTOR		

CRYSTAL

00894034	MA-406 16.000MHZ TE24	CRYSTAL	X1 on MB
00894023	MA-406 20.000MHZ TE24	CRYSTAL	X3 on MB
00901912	MA-406 24.576MHZ TE24	CRYSTAL	X2 on MB

RELAY

00899245	G5Z-2A DC12V/5A	RELAY	RL1 on PAB
----------	-----------------	-------	------------

FUSE,FUSE HOLDER

12559550	5X20 S506 1.6A T1.6AL250V	FUSE	F1 on PAB3 IB(230V/240V ASSY)
12559444	5X20 SB 4 4A/125V	FUSE	F1 on PAB3 IB(100V/117V ASSY), F5 on PAB
12559445	5X20 SB 5 5A/125V	FUSE	F3,4 on PAB
12189823	CNT47-0003A	HOLDER	F1 on PAB3 IB, F3,4,5 on PAB

CONNECTOR

01344578	10JQ-ST	CONNECTOR	CN201 on EB
13369927	53253-0510	CONNECTOR	CN2 on PLB, 'CN8 on MB
13369928	53253-0610	CONNECTOR	CN1 on MIC, CN11 on PAB
13369930	53253-0810	CONNECTOR	CN13 on PAB
13369931	53253-0910	CONNECTOR	CN7 on MB
13369932	53253-1010	CONNECTOR	CN1 on LBB
13369934	53253-1210	CONNECTOR	CN6 on MB
13369936	53253-1410	CONNECTOR	CN6 on PLB
13369937	53253-1510	CONNECTOR	CN5 on PLB
01451556	53313-1415	CONNECTOR	CN5 on MB, CN1 on LAB
01344567	B10B-XH-A	CONNECTOR	CN15 on PAB

13369564	B12B-PH-K-S JST	CONNECTOR	CN11 on MB
13369898	B2P3-VH 7A/250V	CONNECTOR	CN402 on IB
13369585	B3P5-VH 7A/250V	CONNECTOR	CN401 on IB
13369567	B4B-PH-K-S JST	CONNECTOR	CN4 on PAB
13369981	B5P-VH 7A/250V	CONNECTOR	CN2 on PAB
13369503	B7B-PH-K-S JST	CONNECTOR	CN10 on MB
13369504	B8B-PH-K-S JST	CONNECTOR	CN301 on FJB, CN1 on PAB
13369890	B8P-VH 7A/250V	CONNECTOR	CN9 on PAB
13369516	B9B-PH-K-S JST	CONNECTOR	CN302 on FJB, CN9 on MB
13379151	FPC IL-FPC-14ST-N	CONNECTOR	CN4 on MB
13379152	FPC IL-FPC-16ST-N	CONNECTOR	CN3 on MB
12199584	M1698	GROUND TERMINAL	TER3,4 on PAB
01347923	MEP1866-A	GROUND TERMINAL	TER1,2 on PAB
13369877	PS-34PE-D4T1-B1-K	CONNECTOR	CN1 on MB

ACCESSORIES

71121034	OWNER'S MANUAL ENGLISH	
71012667	OWNER'S MANUAL JAPANESE	
13499219	AC CORD SET 100V	DC-382-J01 VFF2P
13499220	AC CORD SET 120V	UC-713-J01 SJT2P18AWG60
13499221	AC CORD SET 230V	EC-511-E07 H03VVH2-F 2P
13499222	AC CORD SET 240VA	SC-078-J02 ES206-75HMA
00905234	EURO CONVERTER PLUG ECP01-5A	230V VERSION ONLY
40239434	PIANIST TEMPLATE JAPANESE	
40239445	PIANIST TEMPLATE ENGLISH	
17048910	FLOPPY DISK DEMO JAPANESE	100V VERSION ONLY
40340056	LEAFLET DEMO SONG LIST	100V VERSION ONLY

WIRING

01454567	WIRING 5X600-P2.0-51065-51065-F
01450089	WIRING W3
01450090	WIRING W2
01452756	WIRING W1
01454589	WIRING FDD 34P FLAT
01454578	WIRING FDD POWER
01452745	WIRING 14X250-P2.0-51089-51089-F
01450056	WIRING 6X1050-P2.0-51065-51065-F
01450078	WIRING 8X800-P2.0-PH-PH-F
01450067	WIRING 9X1050-P2.0-PH-PH-F-S
01346090	LCD HOUSING

TRANSFORMER

01450212	POWER TRANSFORMER 01450212 UNIVERSAL
----------	--------------------------------------

SCREW

22285342	CONNECTING PIN
40011056	BINDING TAPTITE B 3 x 6 ZC
40011101	BINDING TAPTITE B 3 x 8 BZC
40011112	BINDING TAPTITE B 3 x 10 BZC
40011123	BINDING TAPTITE B 4 x 8 BZC
40011256	PAN TAPTITE P 2 x 6 ZC
40011312	PAN TAPTITE P 3 x 8 BZC
40011323	PAN TAPTITE P 3 x 10 BZC
40011490	PAN MACHINE SCREW W/SW M3 x 6 BZC
40011712	WOOD ANCHOR NUT B M4 x 11.5 ZC
40011723	WOOD ANCHOR NUT B M5 x 12 ZC
40011956	PLAIN WASHER 3 x 10 x 0.8 ZC
40012034	TRUSS MACHINE SCREW M4 x 18 BZC
40012090	TRUSS TAPPING A 4 x 12 ZC
40012145	TRUSS TAPPING A 4 x 14 BZC
40012178	BINDING TAPPING A 3 x 12 BZC
40012490	PAN TAPTITE P 4 x 10 BZC
40012634	WOOD ANCHOR NUT B M8 x 13.5 ZC
40012867	PAN MACHINE SCREW W/SW+PW M3 x 8 ZC
40012890	PAN MACHINE SCREW W/SW+PW M3 x 16 ZC
40012901	PAN MACHINE SCREW W/SW+PW M3 x 20 ZC
40012923	PAN MACHINE SCREW W/SW+PW M4 x 25 ZC
40013056	PAN MACHINE SCREW W/SW+PW M3 x 6 ZC
40121923	PAN MACHINE SCREW W/SW+PW M4 x 18 ZC
40128512	BINDING TAPTITE B WH 4 x 25 x 20 BZC W=11
40231090	PAN TAPPING A 6 x 12 ZC
40239378	BINDING TAPPING A 3.5 x 6 ZC
40239401	BINDING TAPPING A 3.5 x 8 BZC
00239367	SHOULDER SCREW 1165
00568756	4A STOP SCREW

PACKING

01560212	PACKING CASE
01560189	PAD CARTON LOWER
01560190	PAD CARTON UPPER
01346345	PAD L
01346356	PAD R

CHECKING THE VERSION NUMBER

Press the [Function] button to enter Function mode.

Then while holding down the [PLAY] and [TRACK[4]] buttons, press the [Function] button.

The system program version number will be displayed.

After this checking, HP-555G will enter TEST MODE.

If you wish to exit TEST MODE, turn off the power.

HOW TO UPDATE THE FLASH MEMORY

HP-555G uses Flash Memory for the main program registration, you can make the software update by floppy disks via internal FDD. Please refer to the following "Update Procedure."

Required Item

HP-555G Ver. Up Disk (P/No.17048901)

Update Procedure

- 1: Insert the MT-300S Ver. Up Disk into the disk drive.

- 2: Turn the power ON while holding [Tempo] and [Metronome] buttons.

- 3: All of the LEDs on the panel blink as follows.
 - Normal : Blinks slowly
 - Error : Repeat quick double brink

- 4: When it is in normal condition, LCD may show *Flash ROM Update* for a moment and loading the program will be started. During the update, LCD will display ***** ##/08.*
 The ***** and *##* part shows the working condition. Refer to the following.
 - ***** : Reading (now loading the program)
 - : Writing (now writing the program)
 - ## : counts from 01 to 08

- 5: When the update procedure is normal ended, *finished* will be displayed to the LCD. Turn ON the power again and confirm the System Version number and execute Test Mode.
 If *finished* has not been displayed to the LCD display, turn OFF and ON the power again and retry the update procedure from the first. If the result is the same, contact Roland Service Center.

TEST MODE

Note!: When you enter item 9), the user setting data will be set to the factory settings.

Required Items

- MIDI Cable (1.5m or longer Part No.23485229 1.5m)
- Computer Test Cable for Sound Canvas SC-88 (P/No. 17049906)
- Microphone
- Oscilloscope

1. Entering test mode

After turning on the power, press the [Function] button two times while holding down the [Track 4] and [Play] button to enter the Test Mode.

The following display will appear, and you will enter test mode.

JIG	HP555G V*** B***
	*** C**

V*** : version number

B*** : build number (This is for factory use only)

*** : destination region (DOM: 100V specs, EXP: 117/230/240V specs)

C*** : CPU build number (This is for factory use only)

* (Build number) and (CPU build number) are generally not displayed in the LCD, but some units of the initial production may display these. As this numbers are displayed for factory purpose, please ignore when you execute Test mode during the repair.

Press the [Function] button to move to item 2.

* To advance to the next item you will generally use the [Function] button.

For some items, you will advance automatically, so refer to the explanation of each item.

* If you wish to exit test mode during this procedure, turn off the power.

2. Device check and display of ROM version, etc.

During the device check, the following display will appear.

DEVIC	Testing...

If a problem is found, the following error display will appear.

DEVICE	(Error content)
Err PROGRAM ROM	Program (Flush or mask ROM) fault
Err DRAM	Work DRAM read/write fault
Err Wave ROM	Wave ROM data content fault
Err RAM for DSP	DSP RAM read/write fault
Err EEPROM	EEPROM read/write fault
Err DATA ROM	DATA ROM data content fault
Err DATA TYPE	DATA ROM type check fault
Err FDC EX PORT	FDC EXISENCE PORT fault

If an error display appears, press the [Function] button to advance the test mode.

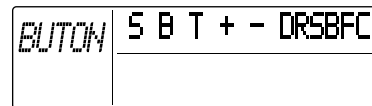
If the test results were OK, the following display will appear.



Press the [Function] button to advance to item 3.

3. Button and LED check

All LEDs will light, and the following display will appear.



Note!: If you wish to check item 3, do not press the [Function] button first.

If you press the [Function] button first, you will advance to item 4.

Once you begin the checking process for this test item, it is not possible to advance to the next item before testing all buttons.

Press the following buttons, and confirm that a sound is heard and that the button LED goes dark.

- [piano] [E.piano] [Harpsi] [Vibes] [Organ] [Strings] [Choir] [GS Tones] [Reverb] [Chorus] [Pianist] [Split]
- [Transpose] [Composer Rhythm] [Composer 1] [Composer 2] [composer 3] [composer 4] [Play] [Rec] [MEMU]
- [Count in] [Marker A] [Marker B] [repeat] [Function]

Press the following button twice, and confirm that a sound is heard and that the button LED changes from orange to green to dark.

[Key Touch]

Press the following button twice, and confirm that a sound is heard and that the button LED on the left side of the display changes from orange to green to dark, and that the button LED goes dark the second time.

[Metronome]

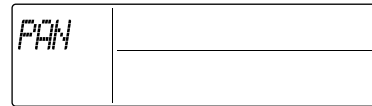
* Press the following buttons, and confirm that a sound is heard and that the characters shown in the LCD ("S" for [Song], "B" for [Beat], "T" for [Tempo], "+" for [Value+], "-" for [Value-], "D" for [Disk], "R" for [Reset], "S" for [Stop], "B" for [Bwd], "F" for [Fwd] and "C" for [Clear]) disappear.

[Song] [Beat] [Tempo] [Value+] [Value-] [Disk] [Reset] [Stop] [Bwd] [Fwd] [Clear]

If all buttons are normal, you will automatically advance to item 4.

4. Checking the effect sound and speaker panning etc.

The following display will appear.



Press the following buttons to check the effect sound and the panning etc.

BUTTON	PANNING	TONE	EFFECT	INDICATION of LCD
[piano]	CENTER	PIANO	none	DRY
[E. piano]	CENTER	PIANO	CHORUS	CHORUS
[Harpsi]	CENTER	PIANO	REVERB	REVERB
[Vibes]	CENTER	PIANO	RESONANCE	RESONANCE
[Organ]	LEFT	440Hz sine wave	none	PAN L
[Strings]	RIGHT	440Hz square wave	none	PAN R
[Choir]	CENTER	440Hz sine wave	none	PAN LR

If you press the [Function] button you will advance to item 5.

5. Pedal and Balance slider operation check

The following display will appear.



At this time, you can move to item 6 by pressing [Function].

Slowly depress each of the three pedals ([Soft Pedal], [Sostenuto], [Damper]) one at a time, and confirm that the value in the LCD changes from 0--9, and that the metronome sound is heard when the display reaches "9." Then move the Balance Slider from left end to the right end, and confirm that the sound is heard and that the pitch changes related to the slider. The value in the LCD changes from 0--9, and that the metronome sound is heard when move the slider from left end to the right end.

INDICATION of LCD	Names of the pedals
SS*(value)	Soft Pedal
SF*(value)	Sostenute
DP*(value)	Damper
BL (value)	Balance Slider

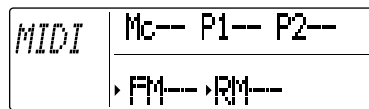
If no problem is found, you will automatically advance to the following item.

6. Serial interface check

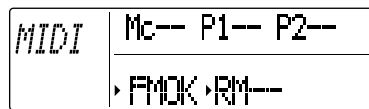
When you want to go to the next test item during this check, press [Function] button.

MIDI operation check

Set the computer switch to the MIDI position. "▶" symbol will be displayed to the middle of "FM" and "RM" in the LCD.

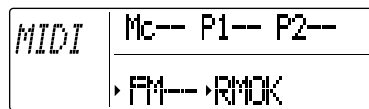


Using a MIDI cable, connect the MIDI IN located under the keyboard to the MIDI OUT located at the back of the piano. If the test result is OK, the LCD will indicate "OK" as follows.



Then, using a MIDI cable, connect between the MIDI IN and the MIDI OUT located at the back of the piano.

If the test result is OK, the LCD will indicate "OK" as follows.



***Computer interface operation check**

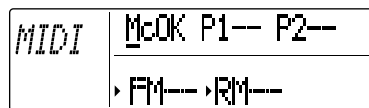
(1) Mac: Settings for connection to a Macintosh.

Set the computer switch to Mac. An underline will be displayed below Mc in the LCD.

Connect a computer test cable (part no. 17049906) to the Computer connector under the keyboard.

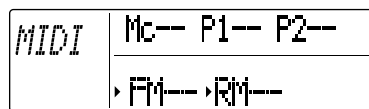
Check both ends of the white conductor (signal) and black conductor (ground) of the test cable by oscilloscope, and confirm that a 1 MHz square wave is present.

Now turn on the switch of the computer test cable. If the result is normal, the OK will appear in the LCD as follows.



Turn off the switch of the test cable.

If the result is OK, the following display will appear in the LCD.



(2) PC1: Settings for connection to a PC-9800.

Set the computer switch to PC1. An underline will be displayed below P1 in the LCD.

Connect a computer test cable (part no. 17049906) to the Computer connector under the keyboard, and turn on the switch of the computer test cable. If the result is OK, the following display will appear.

MIDI	Mc-- P1 <u>OK</u> P2--
	▷ FM-- ▷ RM--

Turn off the switch of the test cable.

If the result is OK, the following display will appear in the LCD.

MIDI	Mc-- P1-- P2--
	▷ FM-- ▷ RM--

(3) PC2: Settings for connection to an IBM-compatible computer

Set the computer switch to PC2. An underline will be displayed below P2 in the LCD.

Connect a computer test cable (part no. 17049906) to the Computer connector under the keyboard, and turn on the switch of the computer test cable. If the result is OK, the following display will appear.

MIDI	Mc-- P1-- P2 <u>OK</u>
	▷ FM-- ▷ RM--

Turn off the switch of the test cable.

If the result is OK, the following display will appear in the LCD.

MIDI	Mc-- P1-- P2--
	▷ FM-- ▷ RM--

Press the [Function] button to proceed to item 7.

7. Floppy Disk Drive check

When floppy disk has not inserted, "NO DISK" will appear in the LCD.

Insert formatted 2DD disk to the drive.

When there is no problem, "2DD: OK" will appear in the LCD.

(If there is a problem, "2DD: NG" will appear in the LCD.)

Then insert 1.44Mb formatted 2HD disk to the drive.

When there is no problem, "2HD: OK" will appear in the LCD.

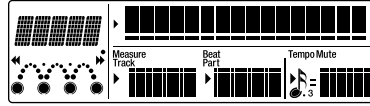
(If there is a problem, "2HD: NG" will appear in the LCD.)

Press the [Function] button to proceed to item 8.

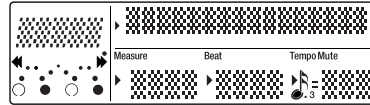
8. LCD check

When you enter this mode, the entire LCD will go dark.

Next, press the [Function] button and confirm that the LCD lights entirely as following.



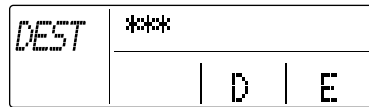
Press the [Function] button again. Confirm the following display will appear in the LCD.



Press the [Function] button to proceed to item 9.

9. Destination region setting

The following display will appear.



Now press the [Beat] button to select DOM (100V) specifications, or press the [Tempo] button to select EXP (117/230/240V) specifications.

*** When you enter this setting, the HP-555G will automatically return to the factory settings.**

Press [Function] button to proceed to the next test.

10. Exiting test mode

To exit test mode, turn off the power.

(If press the [Function] button here, you can jump to the first item of the Test Mode.)

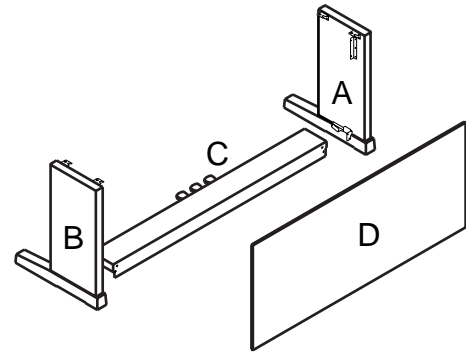
11. Mic check

After exiting test mode, connect a mic to the Mic In jack located under the keyboard, and rotate the knobs (Mic Volume and Mic Echo) to verify that each function operates correctly.


STAND ASSEMBLY (KS-505)


1. Part Check


Before you begin assembling the stand, check that all the parts were supplied. You will also need to have a Phillips screwdriver.



- A: Side Board (left)
- B: Side Board (right)
- C: Pedal Board
- D: Rear Board

 Screw a (4 x 20 mm) x 8

 Screw b (4 x 25 mm) x 4

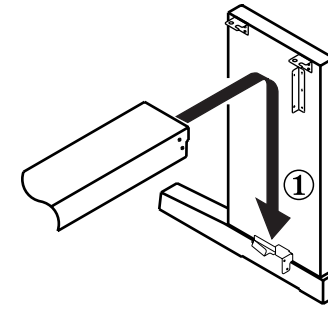
 Screw c (M5 x 20 mm) x 2

CAUTION

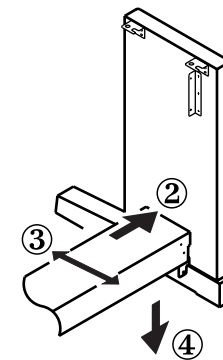
- Make sure that another person is on hand to help with the assembly and setup.
- When assembling the piano stand, do not apply excessive pressure on any part. To do so can cause metal parts to get bent out of shape, and may damage wooden parts.
- Be very careful, when you assemble and move the piano, to make sure that you do not drop it on your hands or feet.
- To move the piano, lift it carefully—all the while keeping it level.
- Fasten each screw tightly, then place the stand in a stable and horizontal place.
- Do not allow the pedal cord or power cable to get twisted or pinched while assembling the stand.
- At first, assemble the entire stand in a temporary fashion, without really tightening the screws. Then, after checking the overall alignment of the boards (and gently shifting certain parts where necessary), go around and tightly fasten each of the screws.

2. Fixing the Pedal Board and Side Boards

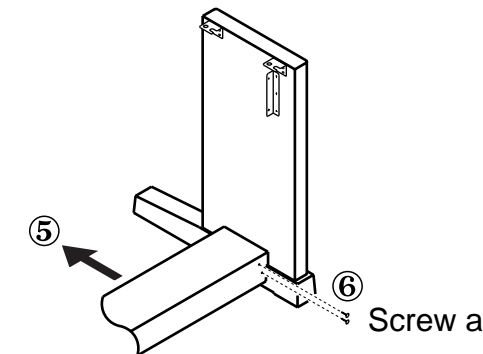
; Position the Pedal Board so it rests on top of the metal fitting at the bottom of the Side Board ①.



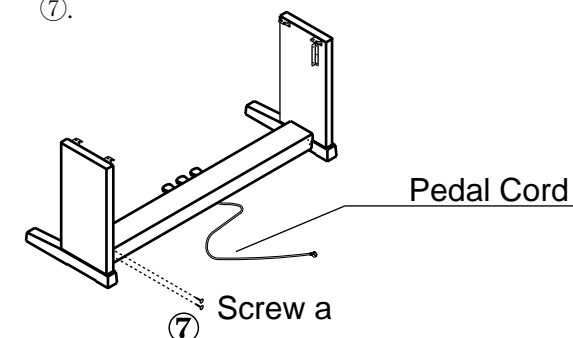
; Move the Pedal Board so it is in close contact with the Side Board ②, then while shifting it forward or backward as necessary ③, push it down until it has been grasped firmly by the metal fitting ④.



; Push the Pedal Board in the direction of the arrow ⑤, then fasten it with screws “a” ⑥.

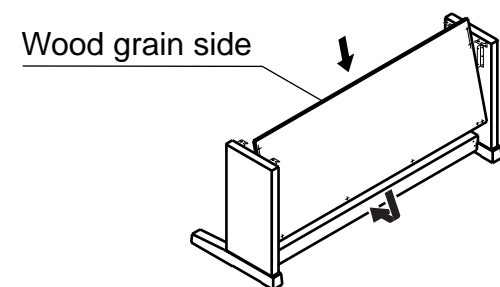


; In the same manner, fasten the other side with screws “a” ⑦.

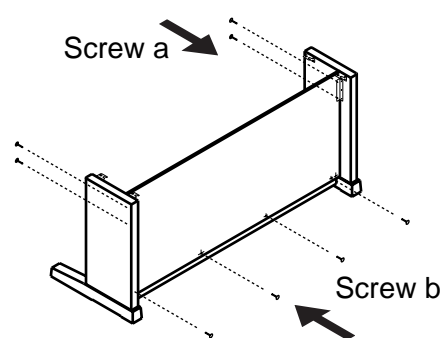


3. Fitting the Rear Board

- Position the Rear Board so the side on which the wood-grain is visible faces the same direction as the three pedals, as shown in the illustration.



- Using screws "a," fasten the Rear Board to the Side Boards at right and left (two screws each at right and left). Then, fasten the Rear Board to the Pedal Board with screws "b" (four places). Observe the direction shown by the arrow in the illustration.

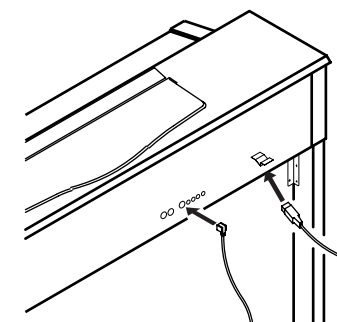


4. Installing the Piano on the Stand

- Align the joint screws (one each at right and left) on the bottom of the piano with the openings in the metal fittings on the side board, then slide the piano forward until the screws are held in place.
- Fasten the piano to the stand with the screw "c" (M5 X 20 mm) (one each for the right and left).

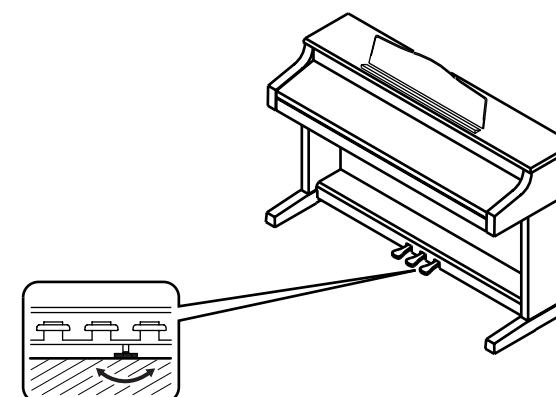
5. Connecting the Pedal and Power Cords

- Connect the pedal cord to the Pedal jack on the rear of the piano.
- Connect the power cord to the power inlet on the piano, then plug the other end into a wall socket.



6. Adjusting the Adjuster

- Lower the adjuster at the bottom of the pedal board (by rotating it), so that the pedal board touches the floor. If you have the piano placed on a carpet, lower it until it pushes into the carpet.



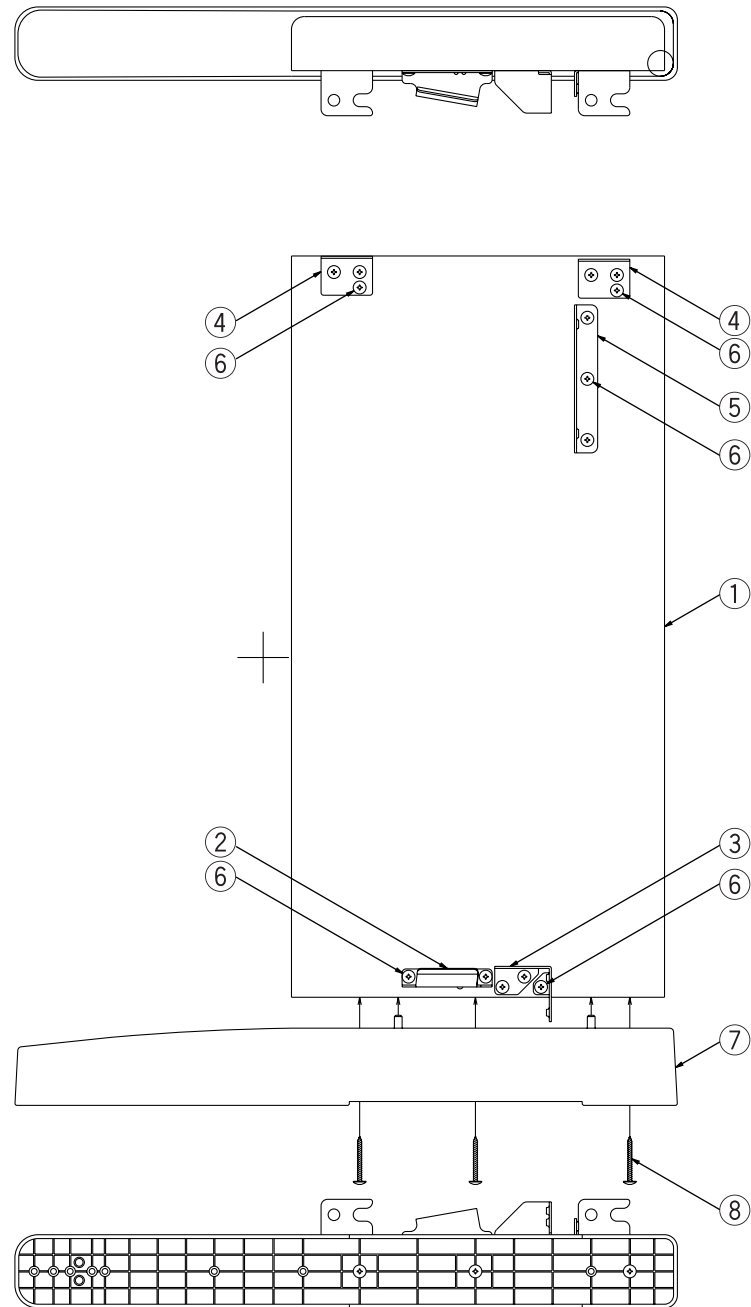
When Moving the Piano

Disconnect the power cord and raise the stand's adjuster. Then lift the piano while keeping it level, and move it with care, so that you do not drop it on your feet, or get your hands caught.

* When handling the piano, firmly grasp it at the front and back. Be careful, so you do not get your fingers pinched.

STAND EXPLODED VIEW

71019545 SIDE BOARD L ASSY 117/230/240V ONLY
 (71019556 SIDE BOARD R ASSY)

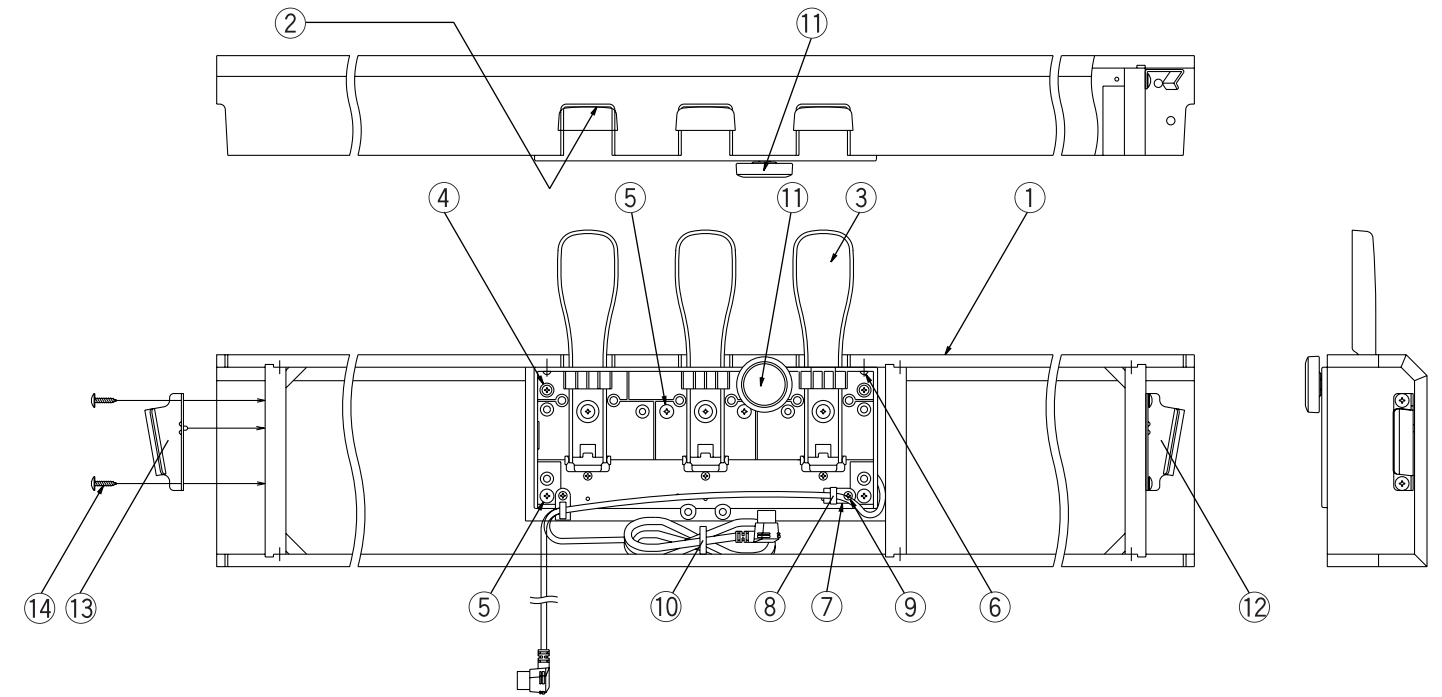


The items bracketed by () are parts for SIDE PANEL ASSY R

No.	Pno.	Part Name
①	*****	SIDE BOARD L (***** SIDE BOARD R)
②	01451878	SIDE HOLDER L (01451889 SIDE HOLDER R)
③	01451934	REAR HOLDER L (01451945 REAR HOLDER R)
④	22205517	JOINT HOLDER L (22205518 JOINT HOLDER R)
⑤	22125675	ANGLE
⑥	40010678	4*20mm TRUSS HEAD TAPPING A1 Fe BZC
⑦	01452834	TOE BLOCK
⑧	40010701	4*35mm TRUSS HEAD TAPPING A1 Fe BZC

STAND EXPLODED VIEW

71120045 PEDAL BOARD ASSY 117/230/240V ONLY
 71019823 PEDAL UNIT



No.	Pno.	Part Name
①	71120045	PEDAL BOARD ASSY
②	22245308	PEDAL BOARD FELT
③	71018623	PEDAL CENTER ASSY
④	40012923	4 × 25mm DOUBLE SEMS Fe ZC
⑤	40012123	4 × 25mm TRUSS HEAD TAPPING A1 Fe BZC
⑥	40011556	3.1 × 10mm ROUND WOOD ZC
⑦	40016545	SKM-1 TIE HOLDER
⑧	40016512	INSULOCK TIE T-18S
⑨	40011323	3 × 10mm BINDING HEAD P TITE Fe BZC
⑩	40016578	VINYL TIE 150mm
⑪	22285396	ADJUST BOLT
⑫	01451878	SIDE HOLDER L
⑬	01451889	SIDE HOLDER R
⑭	40010634	4 × 16mm TRUSS HEAD TAPPING A1 Fe BZC

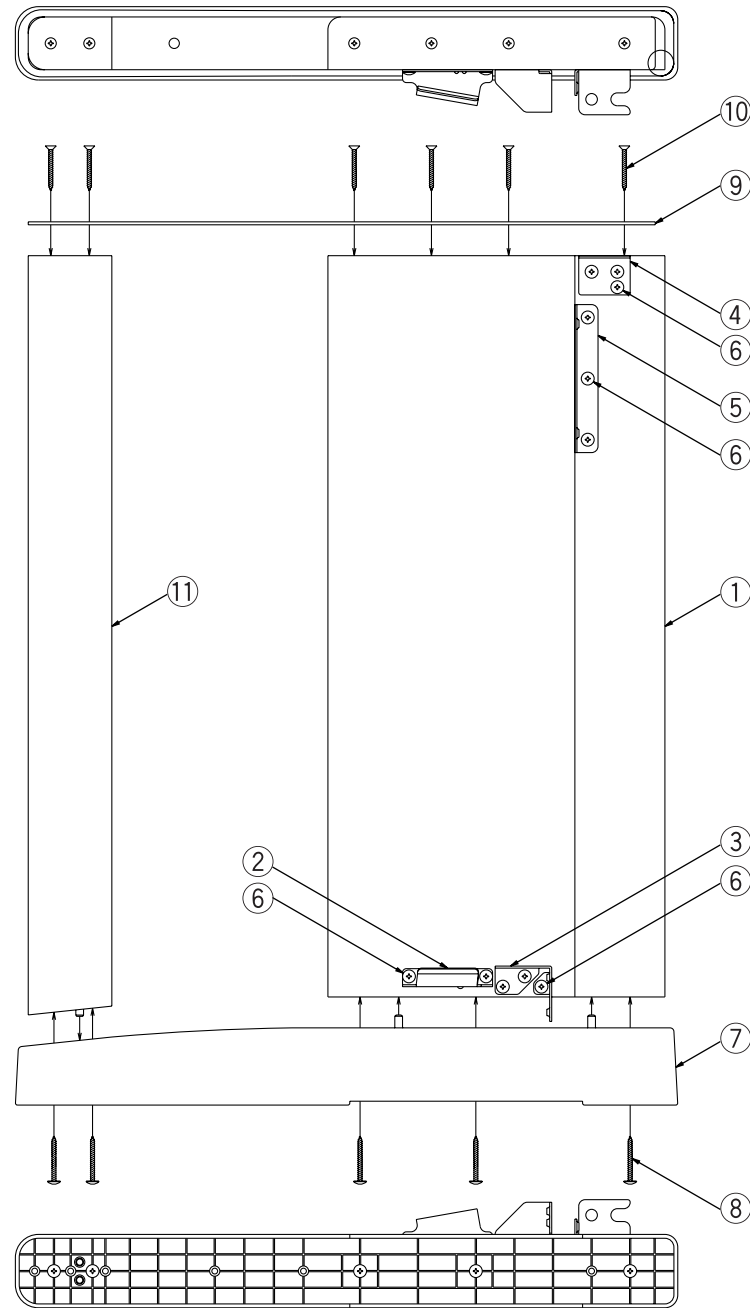
STAND PARTS LIST

Parts No.	Description	71019923	KS-505/KS-505D SCREW SET
01451867	REAR BOARD		NOTE : SCREW SET includes the following parts.
# 71019556	SIDE BOARD R ASSY		
	NOTE : SIDE BOARD R ASSY includes the following parts.		
	*****	40010589	5 x 20mm TRASS HEAD FeBZC x 2
#	01452834 TOE BLOCK	40010689	4 x 25mm TRUSS HEAD TAPPING A1 Fe BZC x 4
	01451945 REAR HOLDER R	40239278	4 x 20mm PAN WASHER HEAD TAPTITE C BZC x 8
	01451889 SIDE HOLDER R		
	22125675 ANGLE		
	22205518 JOINT HOLDER R	40010634	4 x 16mm TRUSS HEAD TAPPING A1 Fe ZC
	40010678 4 x 20mm TRUSS HEAD TAPPING A1 Fe BZC	40012123	4 x 25mm TRUSS HEAD TAPPING A1 Fe ZC
	40010701 4 x 35mm TRUSS HEAD TAPPING A1 Fe BZC	40011323	3 x 10mm BINDING HEAD P TITE Fe BZC
# 71019545	SIDE BOARD L ASSY	40012923	4 x 25mm DOUBLE SEMS Fe ZC
	NOTE : SIDE BOARD L ASSY includes the following parts.	40011556	3.1 x 10mm ROUND WOOD ZC
	*****	40016512	INSULOCK TIE 80M/M T-18S
#	01452834 TOE BLOCK	40016578	VINYL TIE 150M/
	01451934 REAR HOLDER L	40016545	SKM-1 TIE HOLDER
	01451878 SIDE HOLDER L	# 40239212	LEAFLET
	22125675 ANGLE	# 01452801	PACKING CASE
	22205517 JOINT HOLDER L		
	40010678 4 x 20mm TRUSS HEAD TAPPING A1 Fe BZC		
	40010701 4 x 35mm TRUSS HEAD TAPPING A1 Fe BZC		
71120045	PEDAL BOARD ASSY		
	NOTE : PEDAL BOARD ASSY includes the following parts.		
	22245308 PEDAL BOARD FELT		
	40011701 WOOD ANCHOR NUT M4 x 9.5 ZC		
71019823	PEDAL UNIT		
	NOTE : PEDAL UNIT includes the following parts.		
71018601	CONNECT CODE		
	NOTE : CONNECT CORD includes the following parts.		
	15229728 PHOTO INTERRUPTER GP2S24B		
	15119112 TRANSISTOR 2SA1015-Y		
	13299199 TRIMMER EVND8AA03B13		
	00907045 PEDAL CABLE		
71018623	PEDAL CENTER ASSY		
	NOTE : PEDAL CENTER ASSY includes the following parts.		

	01451667 FELT		
	22285396 ADJUST BOLT		
	00907045 PEDAL CABLE		
	00904190 PEDAL CHASSIS		
	00908023 FELT L		
	00904223 COILED SPRING		
	00908034 6 x 35mm JOINT BOLT		
	00677978 6 x 12mm JOINT NUT		
	40011278 3 x 8mm BINDING HEAD P-TITE FeBC		
	40011334 3 x 12mm BINDING HEAD P-TIGHT Fe BZC		

STAND EXPLODED VIEW

71018878 SIDE PANEL L ASSY 100V ONLY
 (71018889 SIDE PANEL R ASSY)

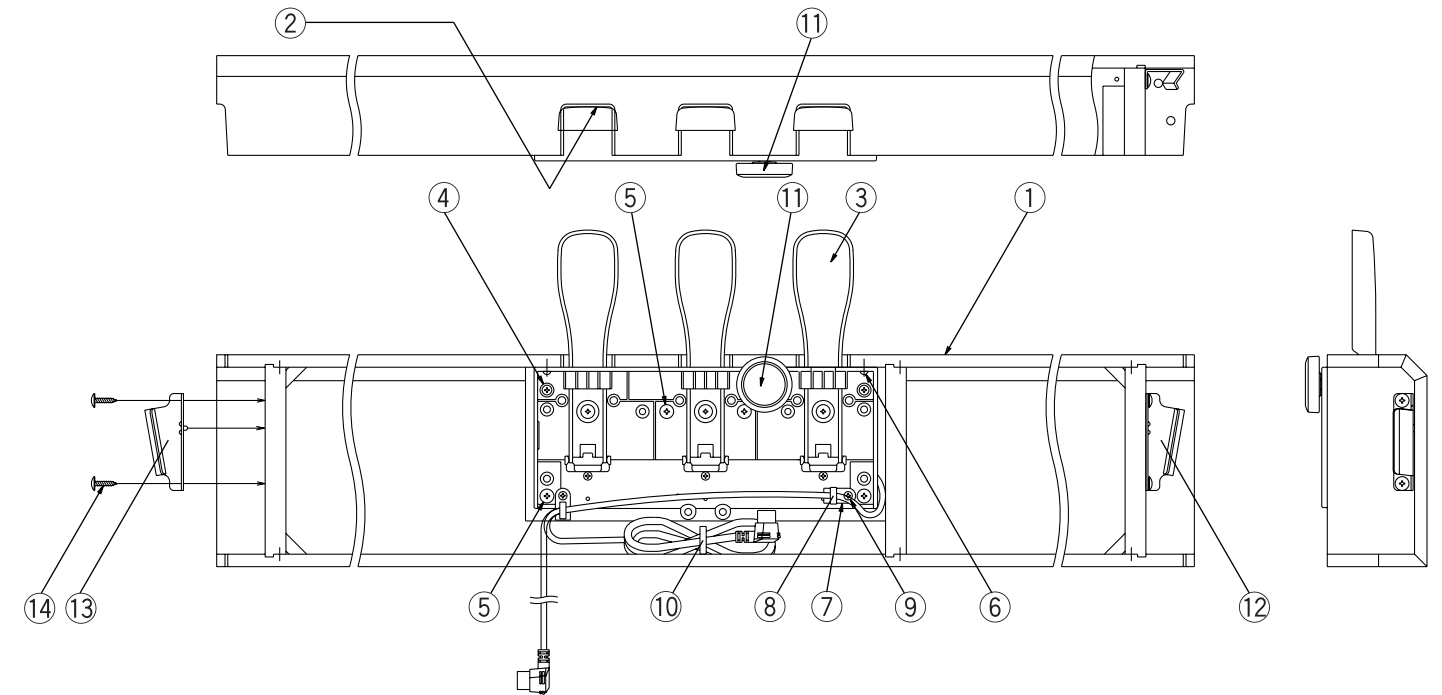


The items bracketed by () are parts for SIDE PANEL ASSY R

No.	Pno.	Part Name
①	*****	SIDE BOARD L (***** SIDE BOARD R)
②	01451878	SIDE HOLDER L (01451889 SIDE HOLDER R)
③	01451934	REAR HOLDER L (01451945 REAR HOLDER R)
④	22205517	JOINT HOLDER L (22205518 JOINT HOLDER R)
⑤	22125675	ANGLE
⑥	40010678	4 × 20mm TRUSS HEAD TAPPING A1 Fe BZC
⑦	01451901	TOE BLOCK
⑧	40010701	4 × 35mm TRUSS HEAD TAPPING A1 Fe BZC
⑨	00900045	JOINT HOLDER
⑩	40019601	4 × 35mm FLAT HEAD TAPPING A1 Fe BZC
⑪	01451912	LEG

STAND EXPLODED VIEW

71120045 PEDAL BOARD ASSY 100V ONLY
 71019823 PEDAL UNIT



No.	Pno.	Part Name
①	71120045	PEDAL BOARD ASSY
②	22245308	PEDAL BOARD FELT
③	71018623	PEDAL CENTER ASSY
④	40012923	4 × 25mm DOUBLE SEMS Fe ZC
⑤	40012123	4 × 25mm TRUSS HEAD TAPPING A1 Fe BZC
⑥	40011556	3.1 × 10mm ROUND WOOD ZC
⑦	40016545	SKM-1 TIE HOLDER
⑧	40016512	INSULOCK TIE T-18S
⑨	40011323	3 × 10mm BINDING HEAD P TITE Fe BZC
⑩	40016578	VINYL TIE 150mm
⑪	22285396	ADJUST BOLT
⑫	01451878	SIDE HOLDER L
⑬	01451889	SIDE HOLDER R
⑭	40010634	4 × 16mm TRUSS HEAD TAPPING A1 Fe BZC

STAND PARTS LIST

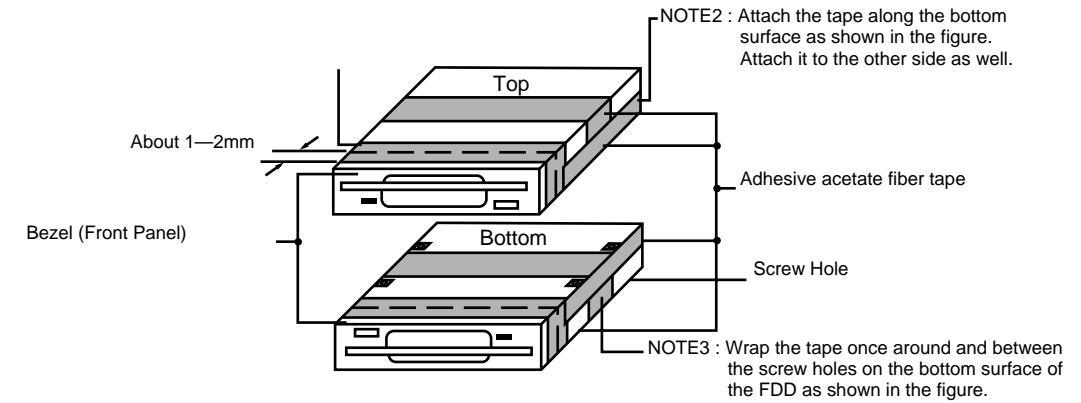
#	Parts No.	Description	#	71019923	KS-505/KS-505D SCREW SET
	01451867	REAR BOARD			NOTE : SCREW SET includes the following parts.
	71018889	SIDE BOARD R ASSY			
		NOTE : SIDE BOARD R ASSY includes the following parts.			
	*****	SIDE BOARD R		40010589	5 × 20mm TRASS HEAD FeBZC ×2
#	01451901	TOE BLOCK		40010689	4 × 25mm TRUSS HEAD TAPPING A1 Fe BZC ×4
#	01451945	REAR HOLDER R	#	40239278	4 × 20mm PAN WASHER HEAD TAPTITE C BZC × 8
#	01451889	SIDE HOLDER R			
	01451912	LEG		40010634	4 × 16mm TRUSS HEAD TAPPING A1 Fe ZC
	22125675	ANGLE		40012123	4 × 25mm TRUSS HEAD TAPPING A1 Fe ZC
	00900045	JOINT HOLDER		40011323	3 × 10mm BINDING HEAD P TITE Fe BZC
	22205518	JOINT HOLDER R		40012923	4 × 25mm DOUBLE SEMS Fe ZC
	40010678	4 × 20mm TRUSS HEAD TAPPING A1 Fe BZC		40011556	3.1 × 10mm ROUND WOOD ZC
	40010701	4 × 35mm TRUSS HEAD TAPPING A1 Fe BZC		40016512	INSULOCK TIE 80M/M T-18S
	40019601	4 × 35mm FLAT HEAD TAPPING A1 Fe BZC		40016578	VINYL TIE 150M/M
				40016545	SKM-1 TIE HOLDER
				40239023	LEAFLET
71018878	SIDE BOARD L ASSY		#	01451856	PACKING CASE
	NOTE : SIDE BOARD L ASSY includes the following parts.			00898189	HEAD PHONE RH-30
	*****	SIDE BOARD L		01567034	STOOL(MAHOGANY)
#	01451901	TOE BLOCK			
#	01451934	REAR HOLDER L			
#	01451878	SIDE HOLDER L			
#	01451912	LEG			
	22125675	ANGLE			
	00900045	JOINT HOLDER			
	22205517	JOINT HOLDER L			
	40010678	4 × 20mm TRUSS HEAD TAPPING A1 Fe BZC			
	40010701	4 × 35mm TRUSS HEAD TAPPING A1 Fe BZC			
	40019601	4 × 35mm FLAT HEAD TAPPING A1 Fe BZC			
#	71120045	PEDAL BOARD ASSY			
	NOTE : PEDAL BOARD ASSY includes the following parts.				
	22245308	PEDAL BOARD FELT			
	40011701	WOOD ANCHOR NUT M4*9.5 ZC			
71019823	PEDAL UNIT				
	NOTE : PEDAL UNIT includes the following parts.				
	71018601	CONNECT CODE			
	NOTE : CONNECT CORD includes the following parts.				
	15229728	PHOTO INTERRUPTER GP2S24B			
	15119112	TRANSISTOR 2SA1015-Y			
	13299199	TRIMMER EVND8AA03B13			
	00907045	PEDAL CABLE			
	71018623	PEDAL CENTER ASSY			
	NOTE : PEDAL CENTER ASSY includes the following parts.				
	*****	PEDAL CENTER			
	01451667	FELT			
22285396	ADJUST BOLT				
00907045	PEDAL CABLE				
00904190	PEDAL CHASSIS				
00908023	FELT L				
00904223	COILED SPRING				
00908034	6*35mm JOINT BOLT				
00677978	6*12mm JOINT NUT				
40011278	3*8mm BINDING HEAD P-TITE FeBC				
40011334	3*12mm BINDING HEAD P-TIGHT Fe BZC				

REPLACING FDD MF355F-3252MG (PN0.01341956)

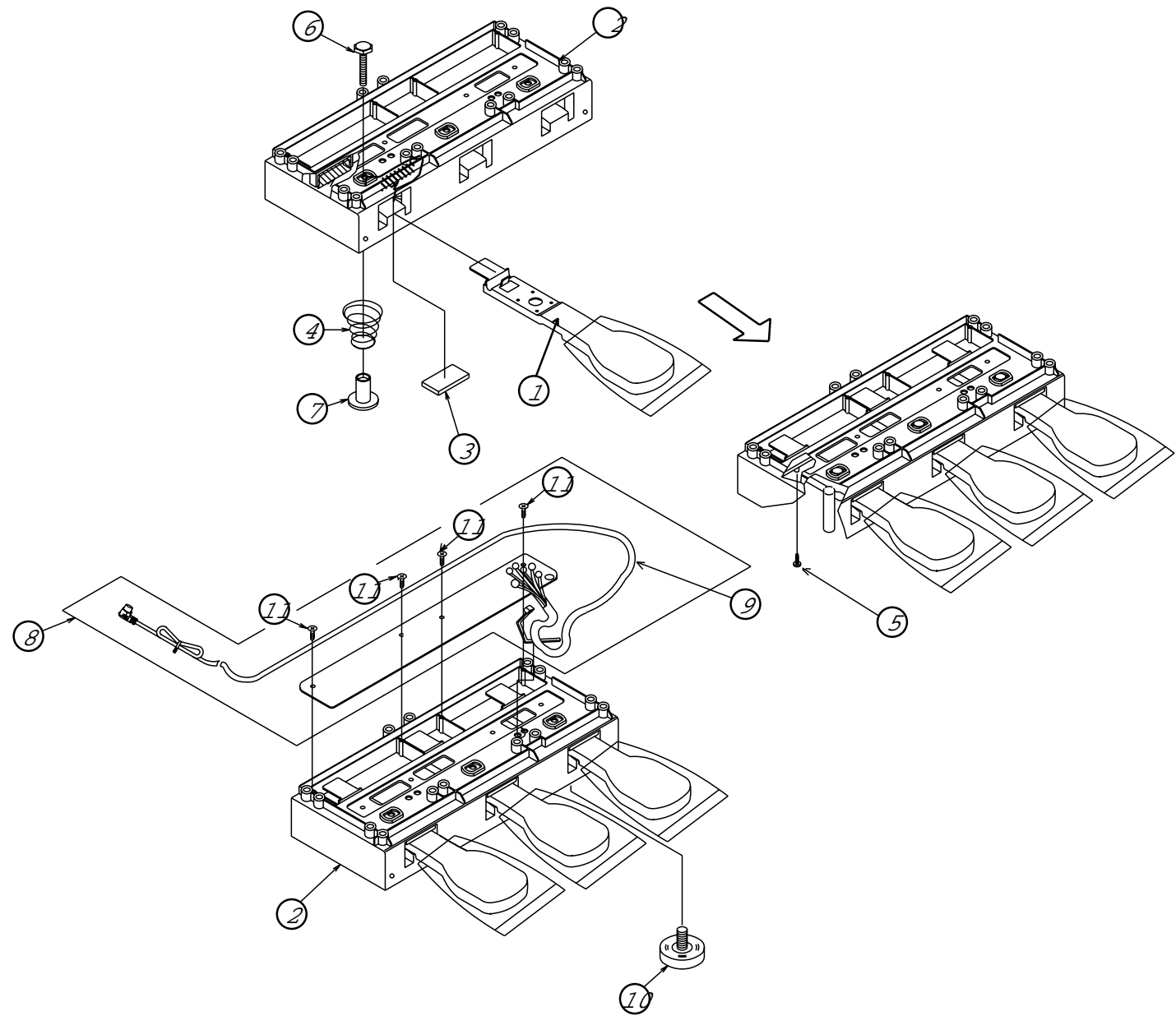
When replacing MF355F-3252MG, attach 4 adhesive acetate fiber tape (PN0.40122612) (10mm wide) to the new FDD before mounting it on HP-555G (see the figure below).

Important : The tape is to isolate vibration and must be attached.

NOTE1 : Wrap the tape once around the FDD, covering at least 1mm from the bezel's edge as shown in the figure. Make sure that the tape cannot be seen from the front when HP-555G is assembled.



PEDAL UNIT EXPLODED VIEW



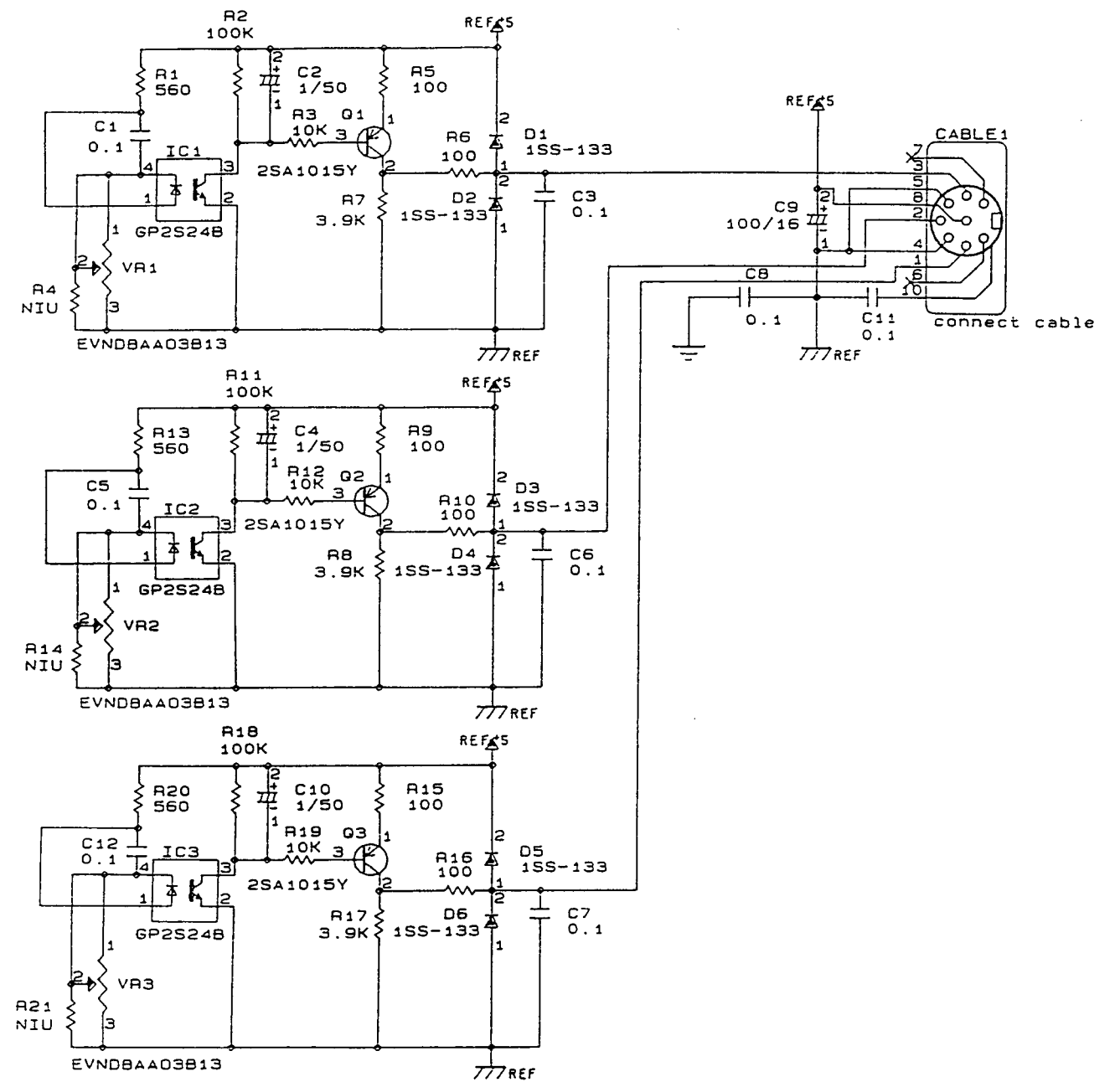
PARTS LIST

No.	Parts No.	Part Name
①	71018623	PEDAL CENTER
②	00904190	PEDAL CHASSIS
③	00908023	FELT L
④	00904223	COILED SPRING
⑤	40011334	3 × 12mm Binding Head P-TITE Fe BZC
⑥	00908034	6 × 35mm JOINT BOLT
⑦	00677978	6 × 12mm JOINT NUT
⑧	71018601	CONNECT CORD
⑨	00907045	PEDAL CABLE
⑩	22285396	ADJUST BOLT
⑪	40011278	3 × 8mm Binding Head P-TITE Fe ZC

CONNECT BOARD PARTS LIST

15229728	GP2S24B	PHOTO INTERRUPTER
15119112	2SA1015Y	TRANSISTOR
13299199	EVND8AA03B13	TRIMMER

CONNECT BOARD CIRCUIT DIAGRAM



KEYBOARD DISASSEMBLY

Removing PA-4A key

While holding the front end of the key, insert the tip of long-nose pliers into the U-groove on the shaft side (shaded area in Fig.1) and hold down the key in the direction of arrow A.

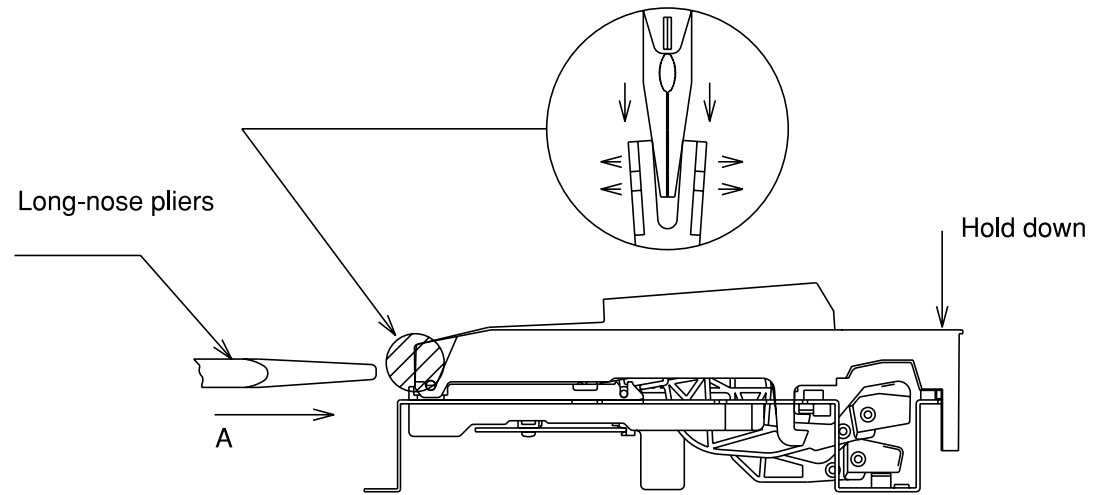


Fig.1

Installing the PA-4A key

While placing the front inner wall of the key against the guide, pass the foot through the hole of the chassis, as shown in Fig.2. Then press the dotted area of the key in the direction of arrow.

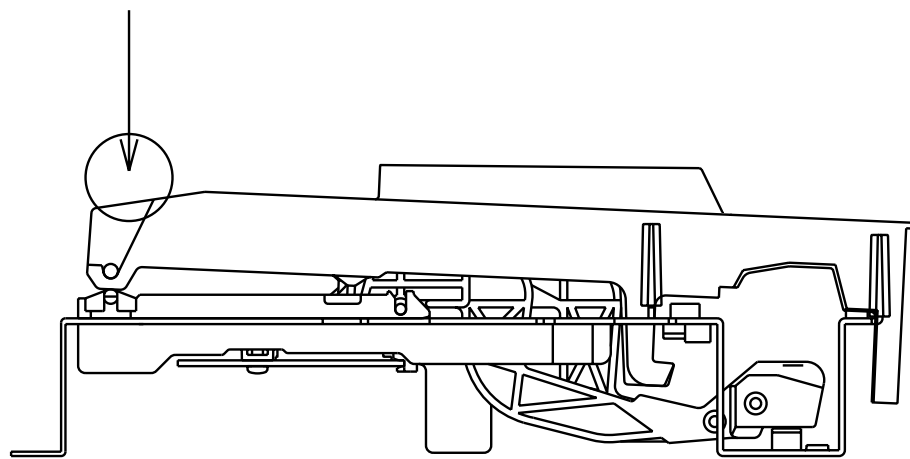


Fig.2

Installing the PA-4A board

As shown in Fig.3, place the board against the hook part a of the sub-shassis, and screw the board into the sub-shassis.

Screw in order, from the round hole (positioning hole) on the connector side.

Be sure to screw manually. (Care should be taken to avoid screw damage.)

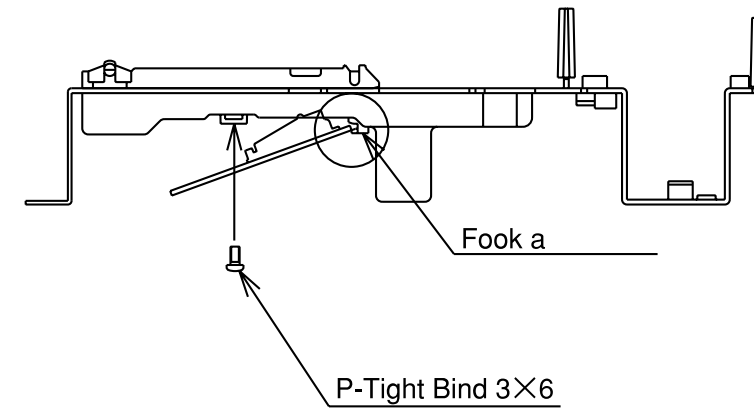


Fig.3

Greasing points

After the key or hammer has been replaced, the specified grease must be applied to the following 4 points as shown in Fig.4.

Fig.4

1. Froir GP-1RS....gray (PNo. 17049544)
 - (a) Key and hammer bearing section
 - (b) Key and hammer joint section (actuator section)
2. Froir G-336A....white (PNo. 17049543)
 - (a) Side of guide bushing for white key and black key

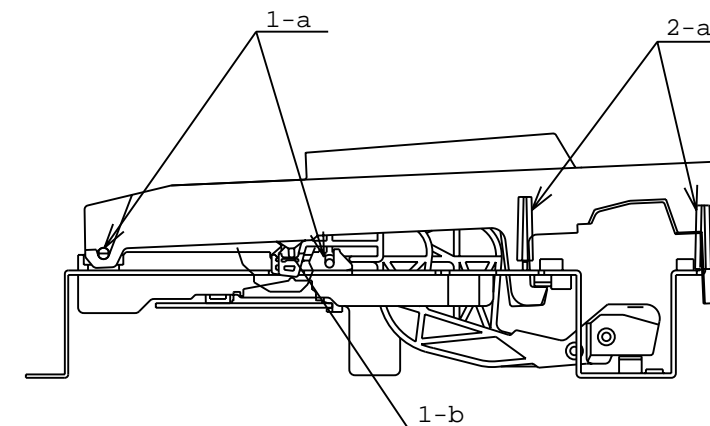


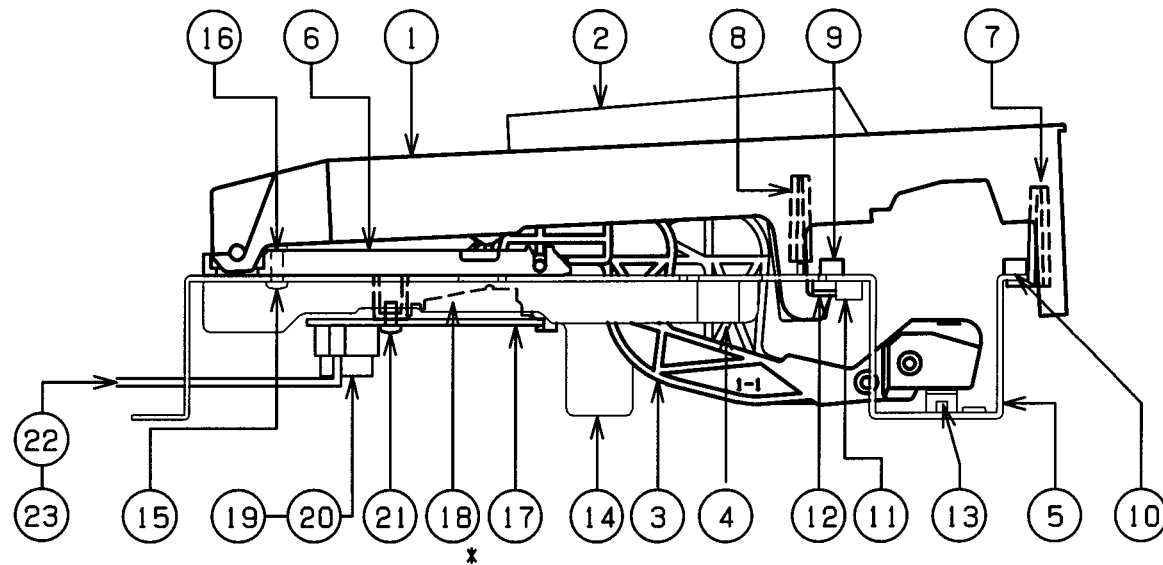
Fig.4

KEYBOARD PARTS LIST

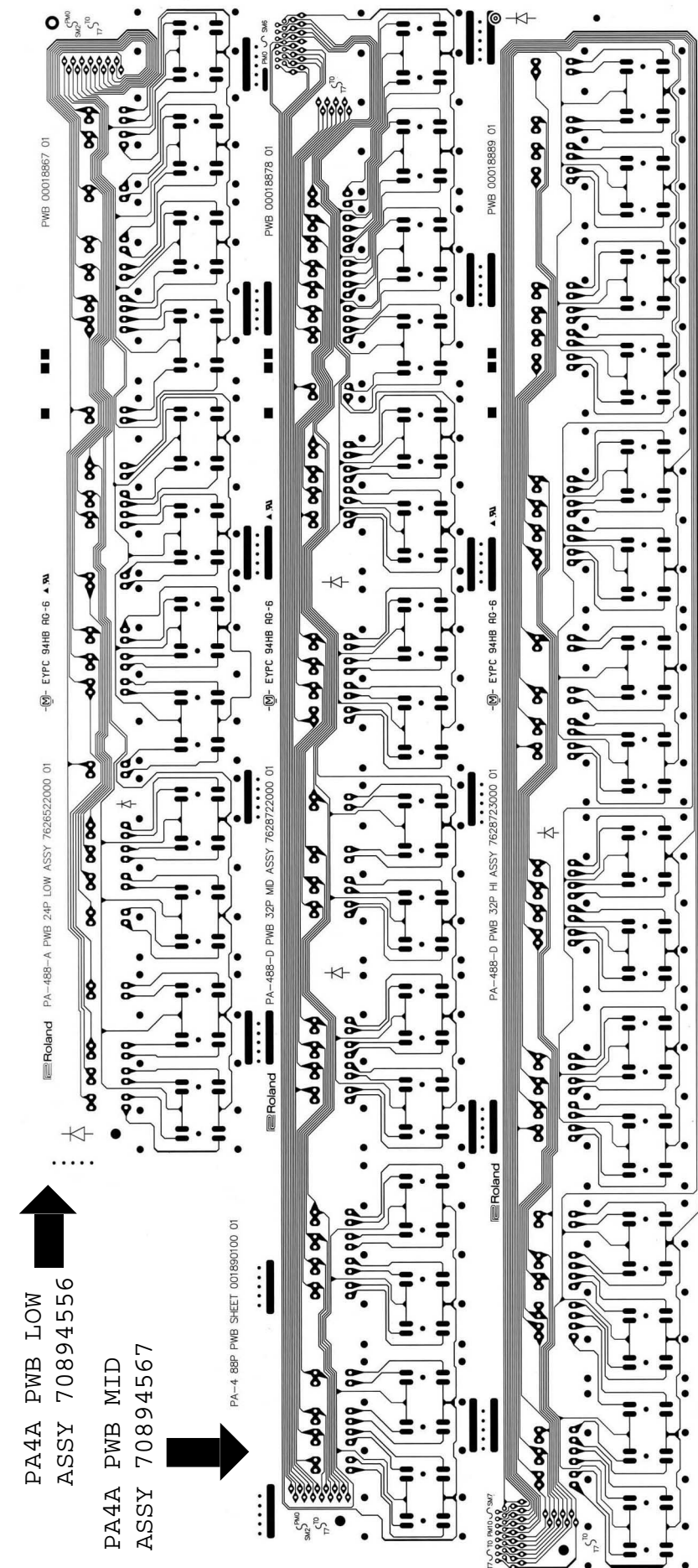
HP-335/535/245/555G-KR-575/575P
 PA-4A88-C2 KEYBOARD ASSY PARTS LIST
 71017401

No.	PARTS No.	PARTS NAME	Qty.	
1	00455501	PA-4A N-KEY A	7/ 1	
	00455512	PA-4A N-KEY B	8/ 1	
	00455534	PA-4A N-KEY C	7/ 1	
	00455545	PA-4A N-KEY D	7/ 1	
	00455556	PA-4A N-KEY E	7/ 1	
	00455578	PA-4A N-KEY F	7/ 1	
	00455589	PA-4A N-KEY G	7/ 1	
	00458689	PA-4A N-KEY A'	1/ 1	
	00458690	PA-4A N-KEY C'	1/ 1	
2	32575291	PA-4 S-KEY	36/ 1	
3	00458178	PA-4A N-KEY HAMMER	52/ 1	
4	00458189	PA-4A S-KEY HAMMER	36/ 1	
5	*****	PA-4A CHASSIS 88P-CK ASSY	1/ 1	
	00453401	PA-4A CHASSIS 88P	1/ 1	
	01019690	PA-4A SUB CHASSIS A	7/ 1	
	01019701	PA-4A SUB CHASSIS B	1/ 1	
	22155784	PA-4 GUIDE BUSHING A	52/ 1	
	00019912	PA-4 GUIDE BUSHING S-KEY	36/ 1	
	22265498	PA-4 CUSHION A	2/ 1	
	00452145	PA-4 CUSHION U ZUREN DBK-2	1/ 1	
	00564867	PA-4A CUSHION I	1/ 1	
	01237089	PA-4A CUSHION RZA	1/ 1	
	00561890	PA-4A CHANNEL	8/ 1	
	40011067	BINDING TAPTITE B 3X8 ZC	16/ 1	
	40012256	BINDING TAPTITE B 3X10 ZC	30/ 1	
	17	70894556	PA-4A PWB LOW ASSY	1/ 1
		70894567	PA-4A PWB MID ASSY	1/ 1
		70894578	PA-4A PWB HI ASSY	1/ 1
*	22185247	PA-4 RUBBER SWITCH 12P	8/ 1	
19	23475965	FUJI CARD 14X70-A5.0BB-P1.25-HBL8	1/ 1	
20	23475342	FUJI CARD 8X60-A5.0BB-P1.25-H8	1/ 1	
21	40011267	BINDING TAPTITE P 3X6 ZC	10/ 1	
22	00347201	FUJI CARD 14X180-A6.0BBR-P1.25-HBL10-S	1/ 1	
23	00347234	FUJI CARD 16X180-A6.0BBR-P1.25-HBL10-S	1/ 1	

Item 18 marked * is included in each unit of item 17.



KEYBOARD PA-4A88-C2 CIRCUIT BOARD/



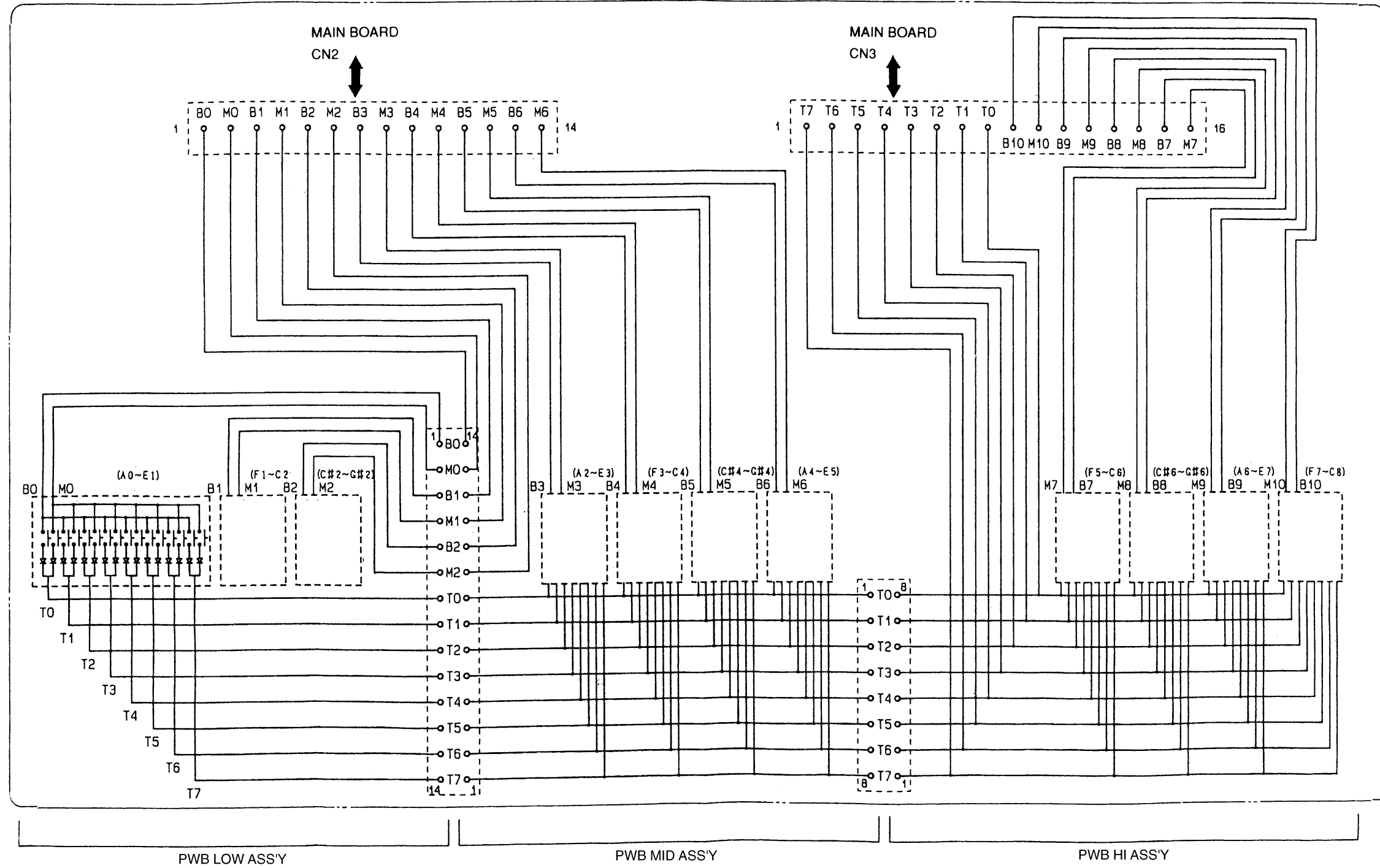
View from components side.

PA4A PWB LOW
 ASSY 70894556

PA4A PWB MID
 ASSY 70894567

PA4A PWB HI
 ASSY 70894578

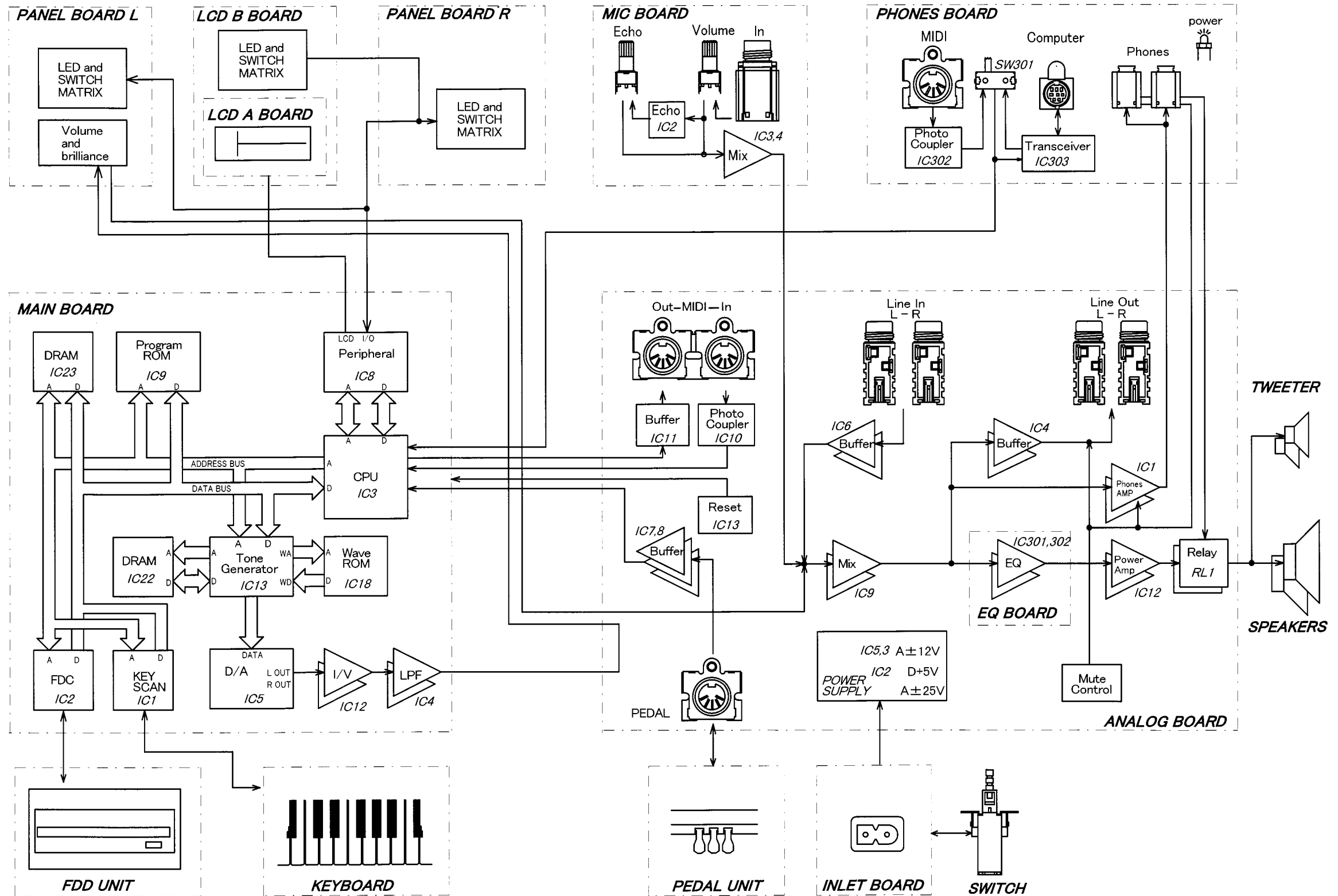
KEYBOARD PA-4A88-C2 CIRCUIT DIAGRAM



1 2 3 4 5 6 7 8 9 10 11 12 13 14 15 16 17 18 19 20 21 22 23 24 25 26 27 28 29 30 31 32 33 34 35 36 37 38 39 40

A BLOCK DIAGRAM

B
C
D
E
F
G
H
I
J
K
L
M
N
O
P
Q
R
S
T
U
V

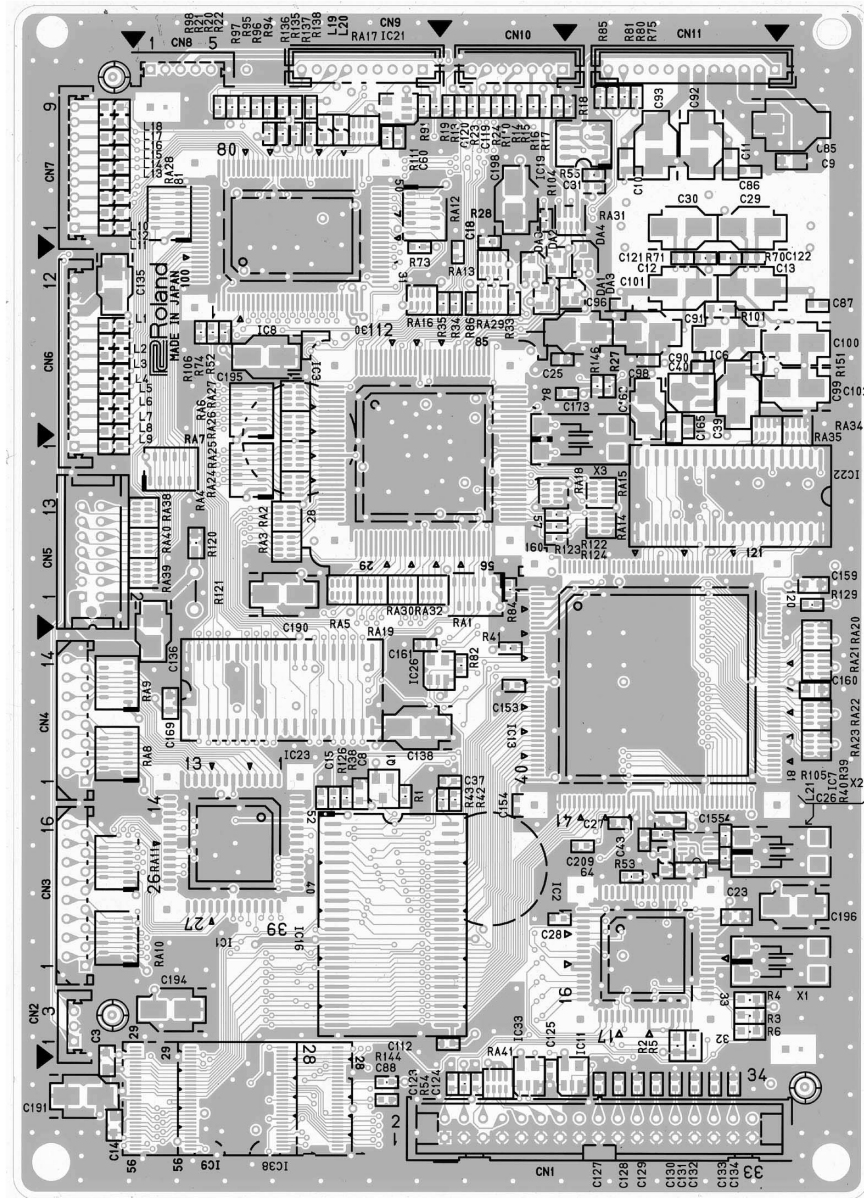


1 2 3 4 5 6 7 8 9 10 11 12 13 14 15 16 17 18 19 20 21 22 23 24 25 26 27 28 29 30 31 32 33 34 35 36 37 38 39 40

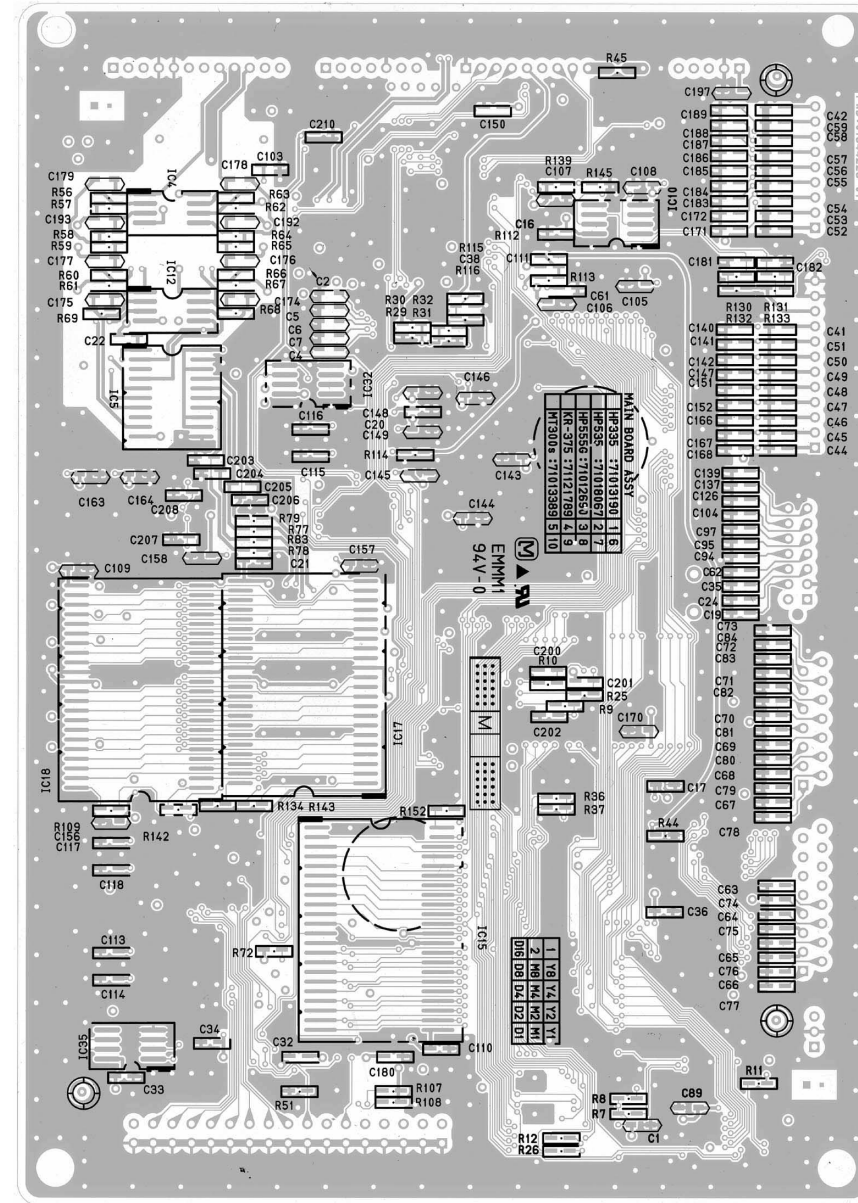
A CIRCUIT BOARD (MAIN)

ASSY 71012690

B
C
D
E
F
G
H
I
J
K
L
M
N
O
P
Q
R
S
T
U
V



View from components side.

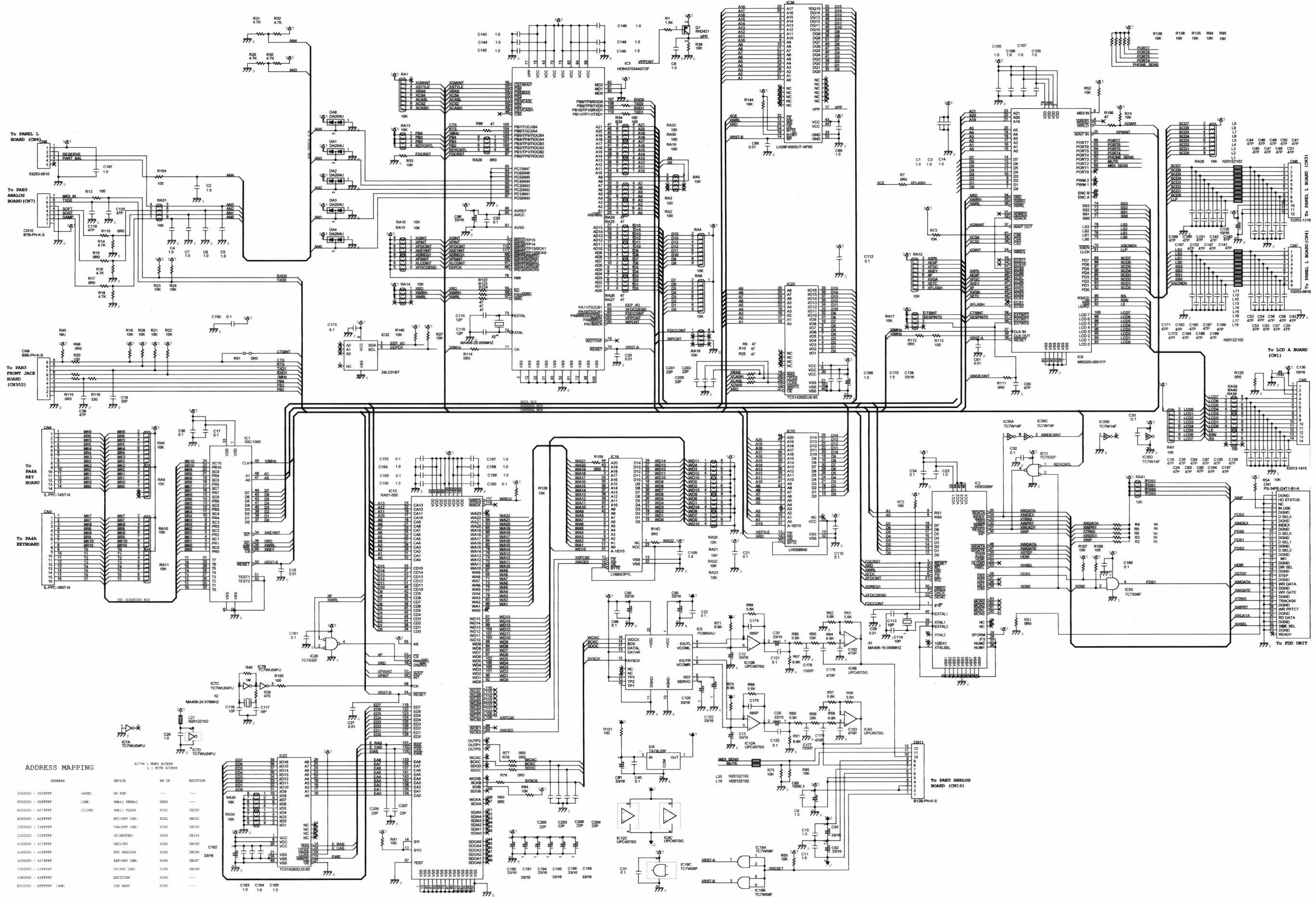


View from foil side.

1 2 3 4 5 6 7 8 9 10 11 12 13 14 15 16 17 18 19 20 21 22 23 24 25 26 27 28 29 30 31 32 33 34 35 36 37 38 39 40

A CIRCUIT DIAGRAM (MAIN)

A
B
C
D
E
F
G
H
I
J
K
L
M
N
O
P
Q
R
S
T
U
V



ADDRESS MAPPING

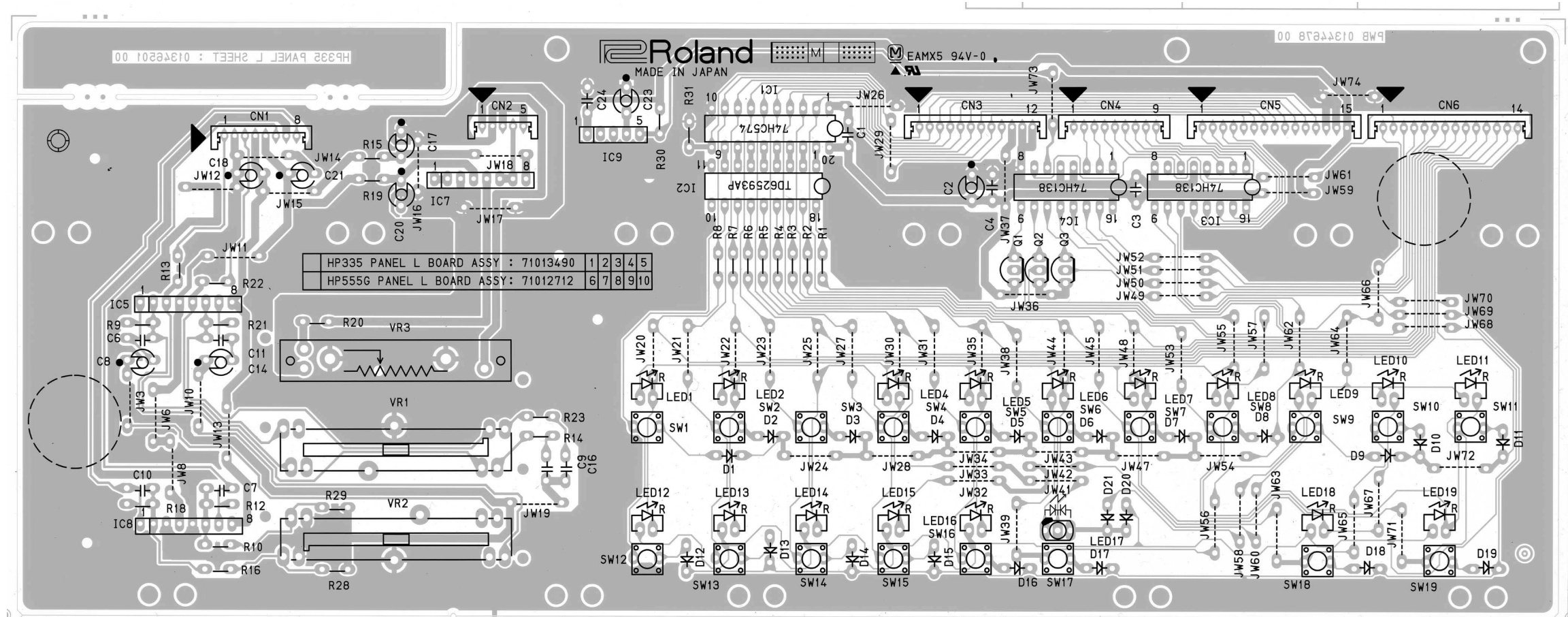
ADDRESS	DEVICE	SR	CS	EXCITATION
000000 - 000FFF (64K)	SR ROM	---	---	---
900000 - 90FFFF (128K)	SR DRAM	SR0	---	---
A00000 - A0FFFF (512K)	SR DRAM	SR1	---	---
A20000 - A2FFFF (512K)	SR DRAM	SR2	---	---
300000 - 30FFFF (512K)	SR DRAM	SR3	---	---
C00000 - C0FFFF (512K)	SR DRAM	SR4	---	---
410000 - 41FFFF (512K)	SR DRAM	SR5	---	---
420000 - 42FFFF (512K)	SR DRAM	SR6	---	---
430000 - 43FFFF (512K)	SR DRAM	SR7	---	---
440000 - 44FFFF (512K)	SR DRAM	SR8	---	---
450000 - 45FFFF (512K)	SR DRAM	SR9	---	---
460000 - 46FFFF (512K)	SR DRAM	SR10	---	---
470000 - 47FFFF (512K)	SR DRAM	SR11	---	---
480000 - 48FFFF (512K)	SR DRAM	SR12	---	---
490000 - 49FFFF (512K)	SR DRAM	SR13	---	---
4A0000 - 4AFFFF (512K)	SR DRAM	SR14	---	---
4B0000 - 4BFFFF (512K)	SR DRAM	SR15	---	---
4C0000 - 4CFFFF (512K)	SR DRAM	SR16	---	---
4D0000 - 4DFFFF (512K)	SR DRAM	SR17	---	---
4E0000 - 4EFFFF (512K)	SR DRAM	SR18	---	---
4F0000 - 4FFFFF (512K)	SR DRAM	SR19	---	---

1 2 3 4 5 6 7 8 9 10 11 12 13 14 15 16 17 18 19 20 21 22 23 24 25 26 27 28 29 30 31 32 33 34 35 36 37 38 39 40

A CIRCUIT BOARD (PANEL L)

ASSY 71012712

NOTE		
PANEL L BOARD ASSY includes the following parts.		
01450034	12X400-P2.0-51065-51015-F	WIRING
01450045	8X400-P2.0-51065-51015-F	WIRING
01450023	9X350-P2.0-51065-51015-F	WIRING



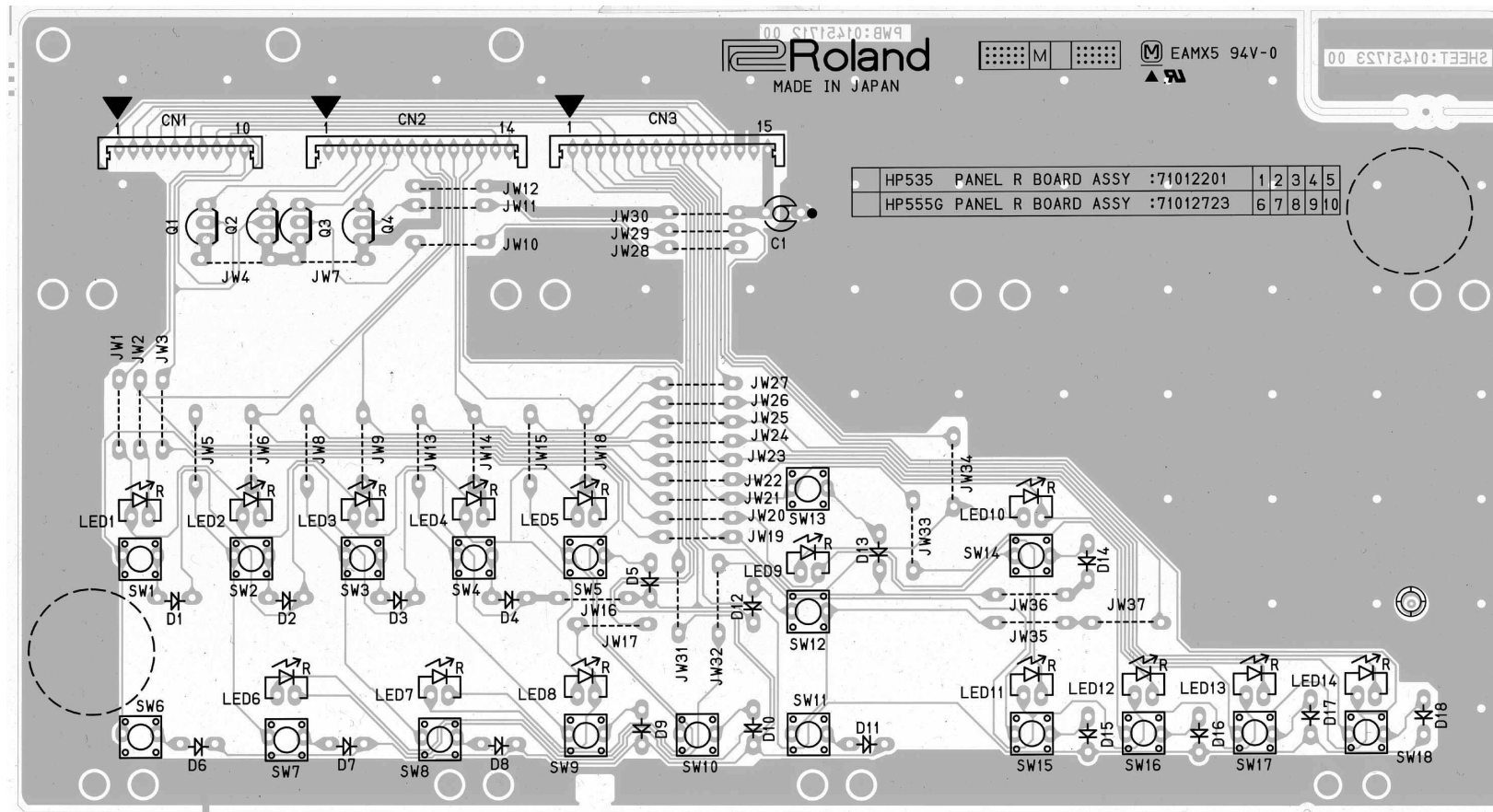
View from components side.

B
C
D
E
F
G
H
I
J
K
L
M
N
O
P
Q
R
S
T
U
V

1 2 3 4 5 6 7 8 9 10 11 12 13 14 15 16 17 18 19 20 21 22 23 24 25 26 27 28 29 30 31 32 33 34 35 36 37 38 39 40

A **CIRCUIT BOARD (PANEL R)**
B ASSY 71012723
C
D
E
F
G
H
I
J
K
L
M
N
O
P
Q
R
S
T
U
V

NOTE		
PANEL R BOARD ASSY includes the following parts.		
01452712	10X100-P2.0-51065-51015-F	WIRING
01452734	14X350-P2.0-51065-51015-F	WIRING
01452723	15X400-P2.0-51065-51015-F	WIRING

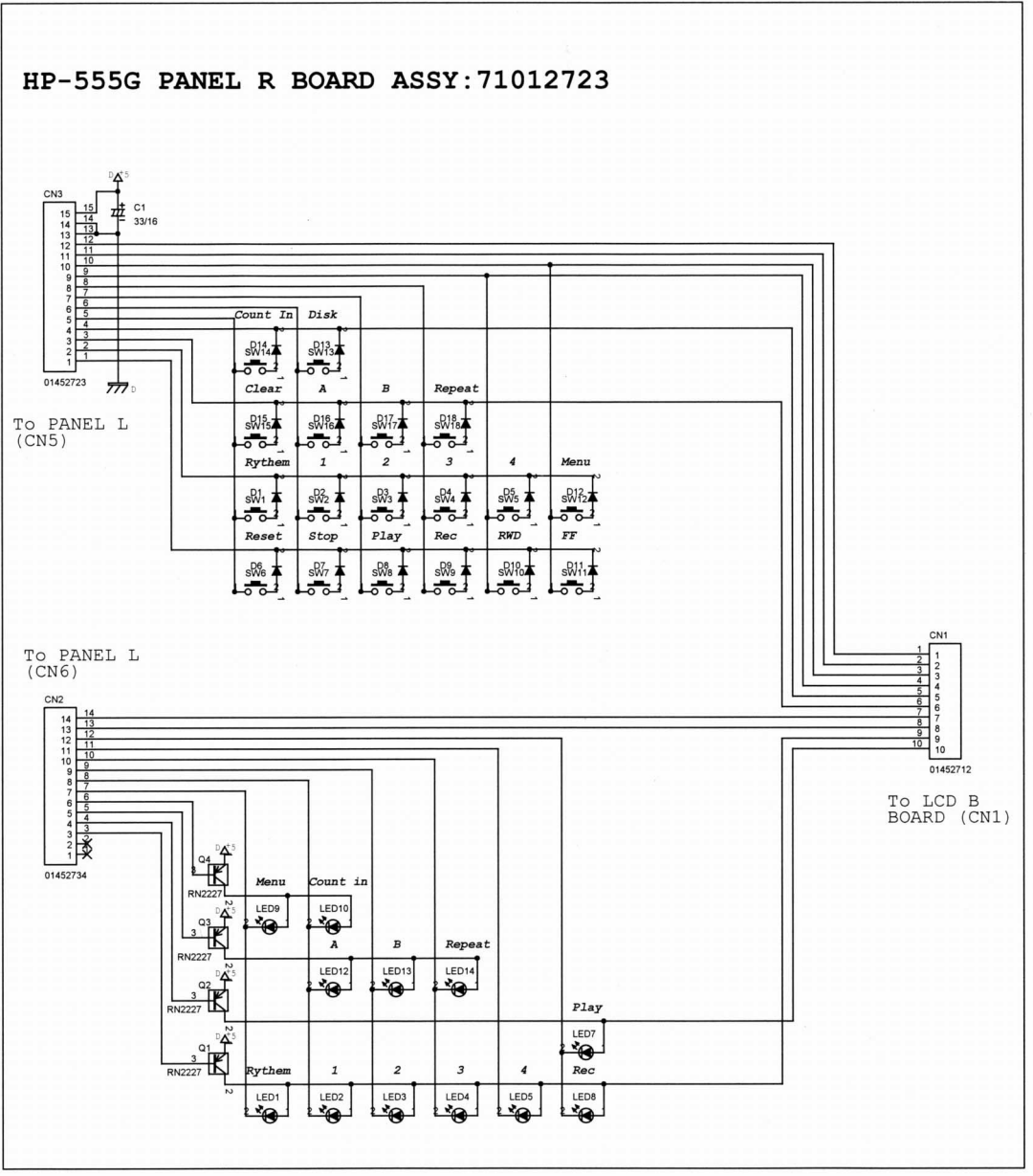
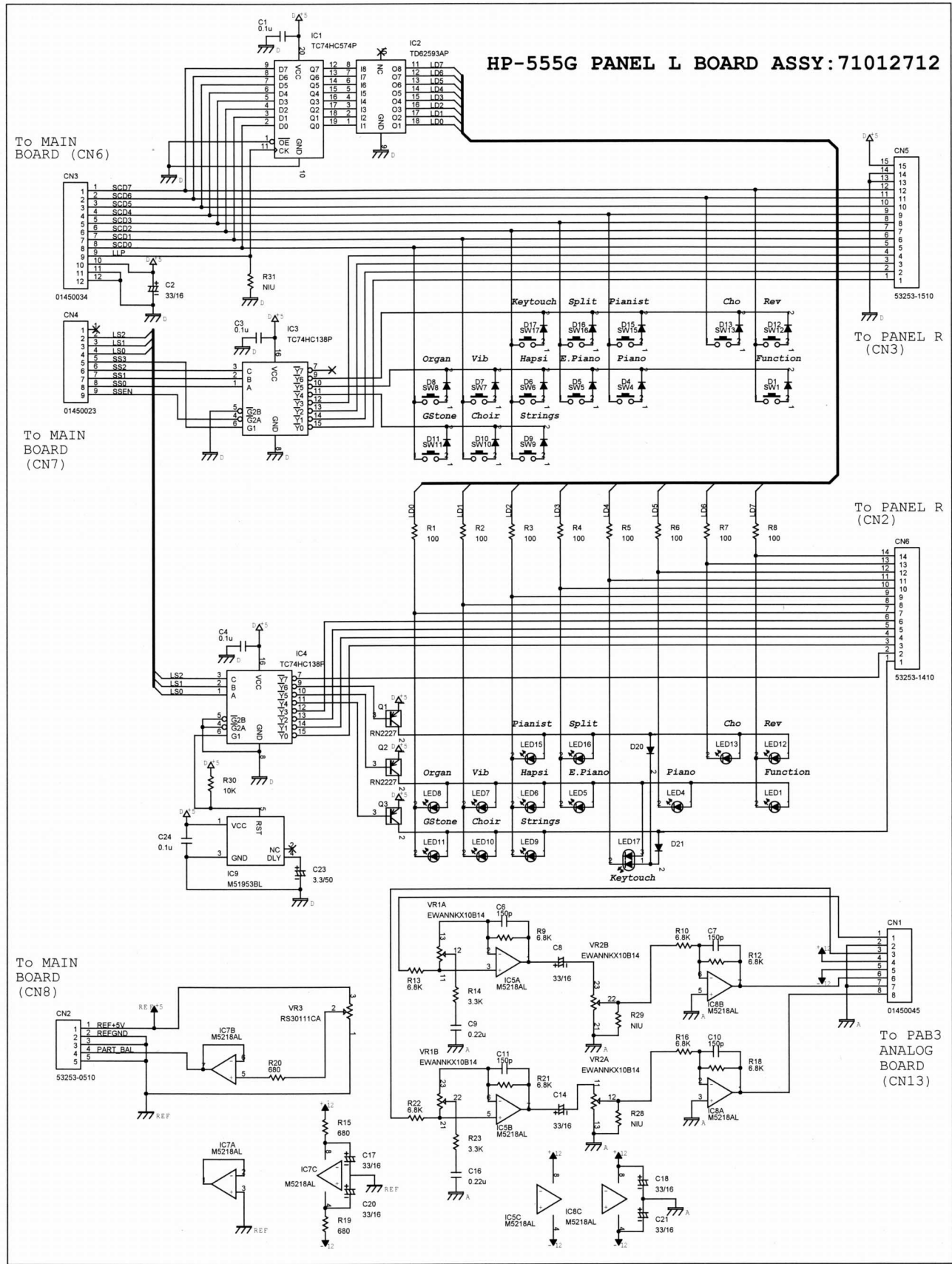


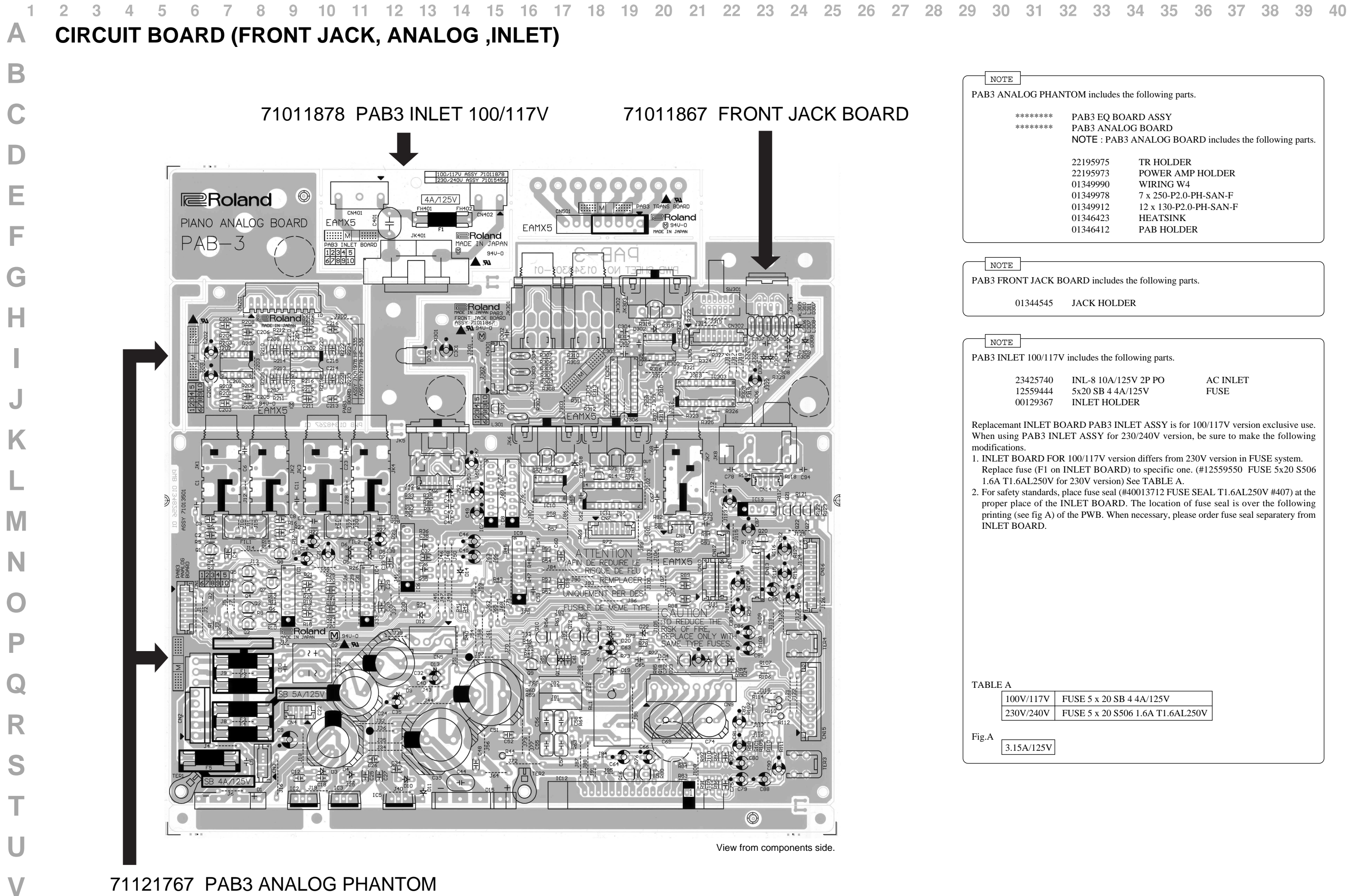
View from components side.

1 2 3 4 5 6 7 8 9 10 11 12 13 14 15 16 17 18 19 20 21 22 23 24 25 26 27 28 29 30 31 32 33 34 35 36 37 38 39 40

A **CIRCUIT DIAGRAM (PANEL L / PANEL R)**

B
C
D
E
F
G
H
I
J
K
L
M
N
O
P
Q
R
S
T
U
V





NOTE

PAB3 ANALOG PHANTOM includes the following parts.

***** PAB3 EQ BOARD ASSY
 ***** PAB3 ANALOG BOARD
 NOTE : PAB3 ANALOG BOARD includes the following parts.

22195975	TR HOLDER
22195973	POWER AMP HOLDER
01349990	WIRING W4
01349978	7 x 250-P2.0-PH-SAN-F
01349912	12 x 130-P2.0-PH-SAN-F
01346423	HEATSINK
01346412	PAB HOLDER

NOTE

PAB3 FRONT JACK BOARD includes the following parts.

01344545	JACK HOLDER
----------	-------------

NOTE

PAB3 INLET 100/117V includes the following parts.

23425740	INL-8 10A/125V 2P PO	AC INLET
12559444	5x20 SB 4 4A/125V	FUSE
00129367	INLET HOLDER	

Replacement INLET BOARD PAB3 INLET ASSY is for 100/117V version exclusive use. When using PAB3 INLET ASSY for 230/240V version, be sure to make the following modifications.

- INLET BOARD FOR 100/117V version differs from 230V version in FUSE system. Replace fuse (F1 on INLET BOARD) to specific one. (#12559550 FUSE 5x20 S506 1.6A T1.6AL250V for 230V version) See TABLE A.
- For safety standards, place fuse seal (#40013712 FUSE SEAL T1.6AL250V #407) at the proper place of the INLET BOARD. The location of fuse seal is over the following printing (see fig A) of the PWB. When necessary, please order fuse seal separately from INLET BOARD.

TABLE A

100V/117V	FUSE 5 x 20 SB 4 4A/125V
230V/240V	FUSE 5 x 20 S506 1.6A T1.6AL250V

Fig.A

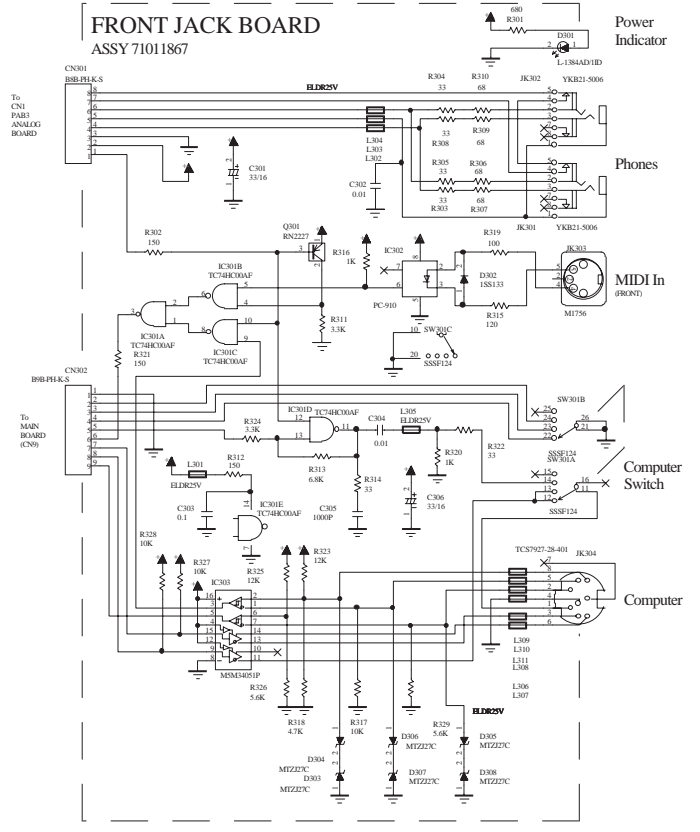
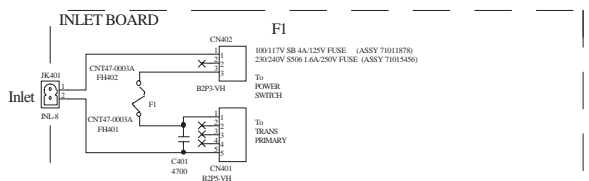
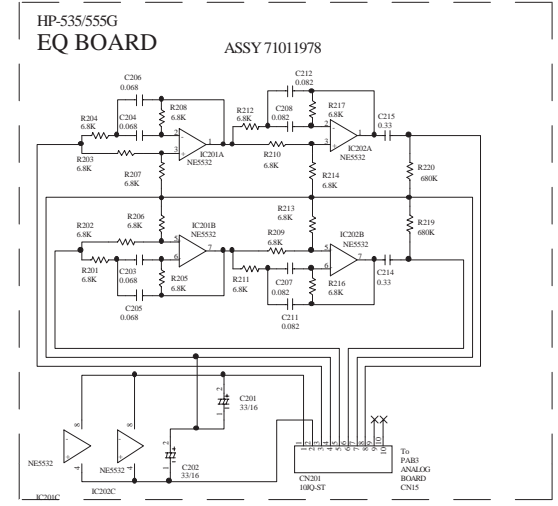
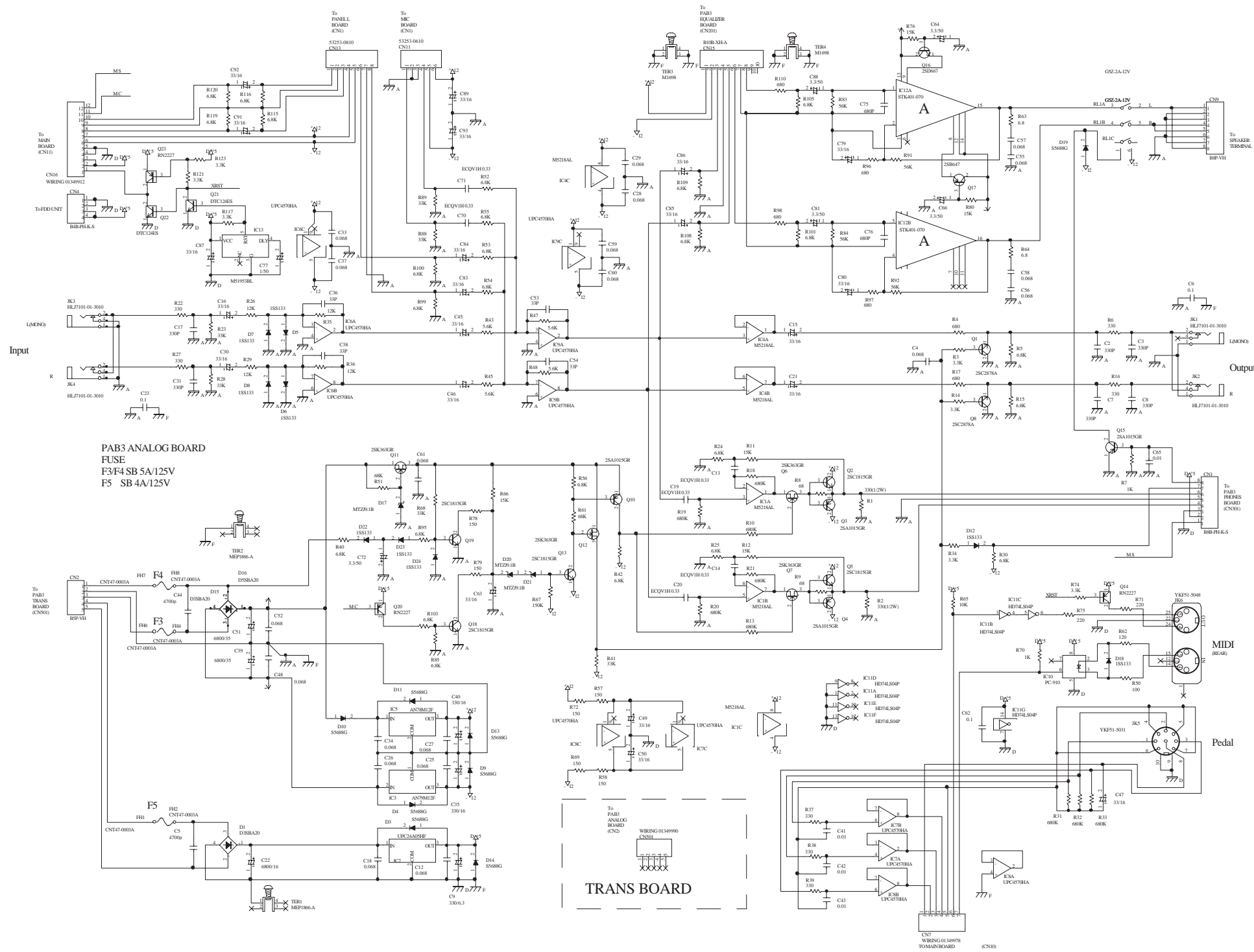
3.15A/125V

View from components side.

1 2 3 4 5 6 7 8 9 10 11 12 13 14 15 16 17 18 19 20 21 22 23 24 25 26 27 28 29 30 31 32 33 34 35 36 37 38 39 40

A
B
C
D
E
F
G
H
I
J
K
L
M
N
O
P
Q
R
S
T
U
V

CIRCUIT DIAGRAM (FRONT JACK, ANALOG ,INLET)

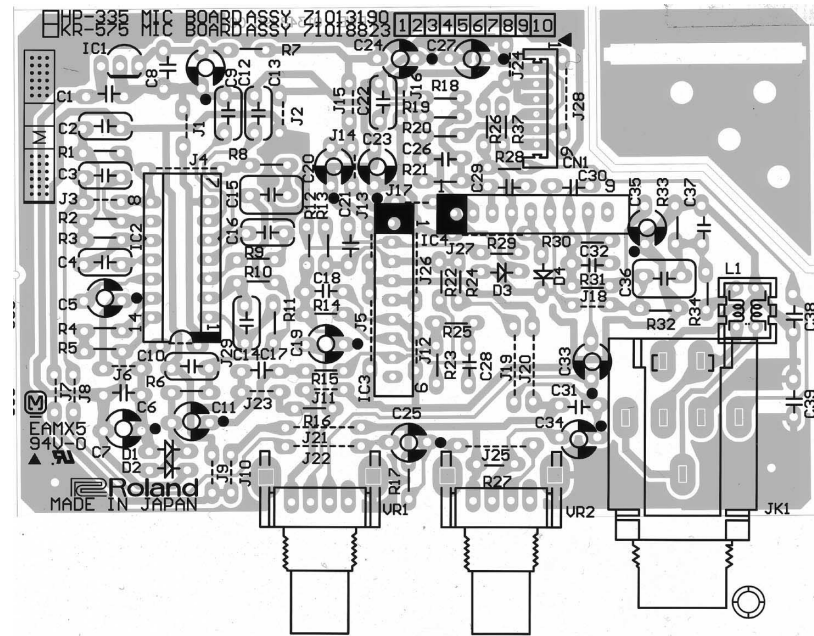


PIANO ANALOG BOARD

1 2 3 4 5 6 7 8 9 10 11 12 13 14 15 16 17 18 19 20 21 22 23 24 25 26 27 28 29 30 31 32 33 34 35 36 37 38 39 40

A CIRCUIT BOARD (MIC)

ASSY 71011901



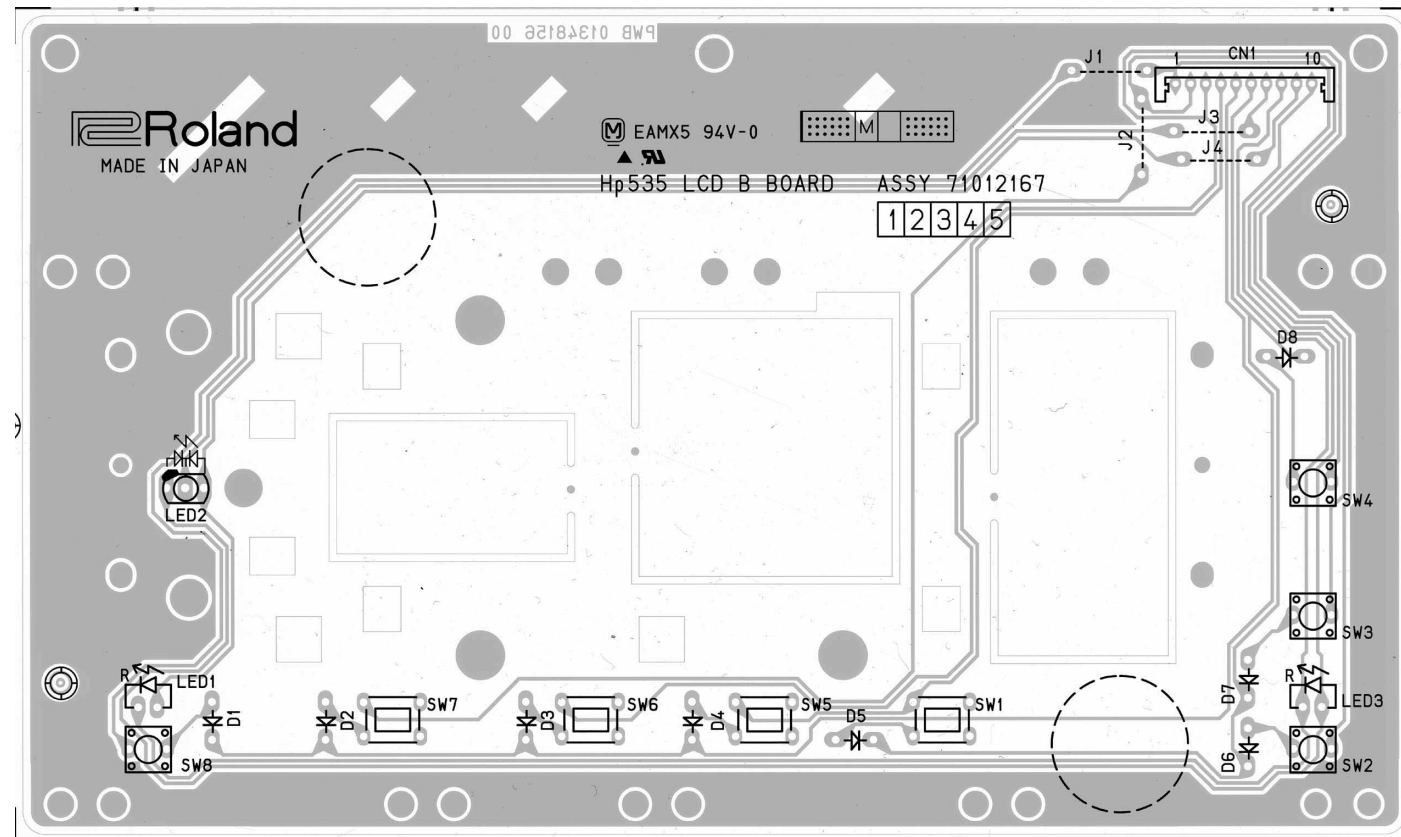
View from components side.

NOTE
 MIC BOARD ASSY includes the following parts.

22150756	JACK NUT 2
01344489	MIC HOLDER

K CIRCUIT BOARD (LCD B)

ASSY 71012167

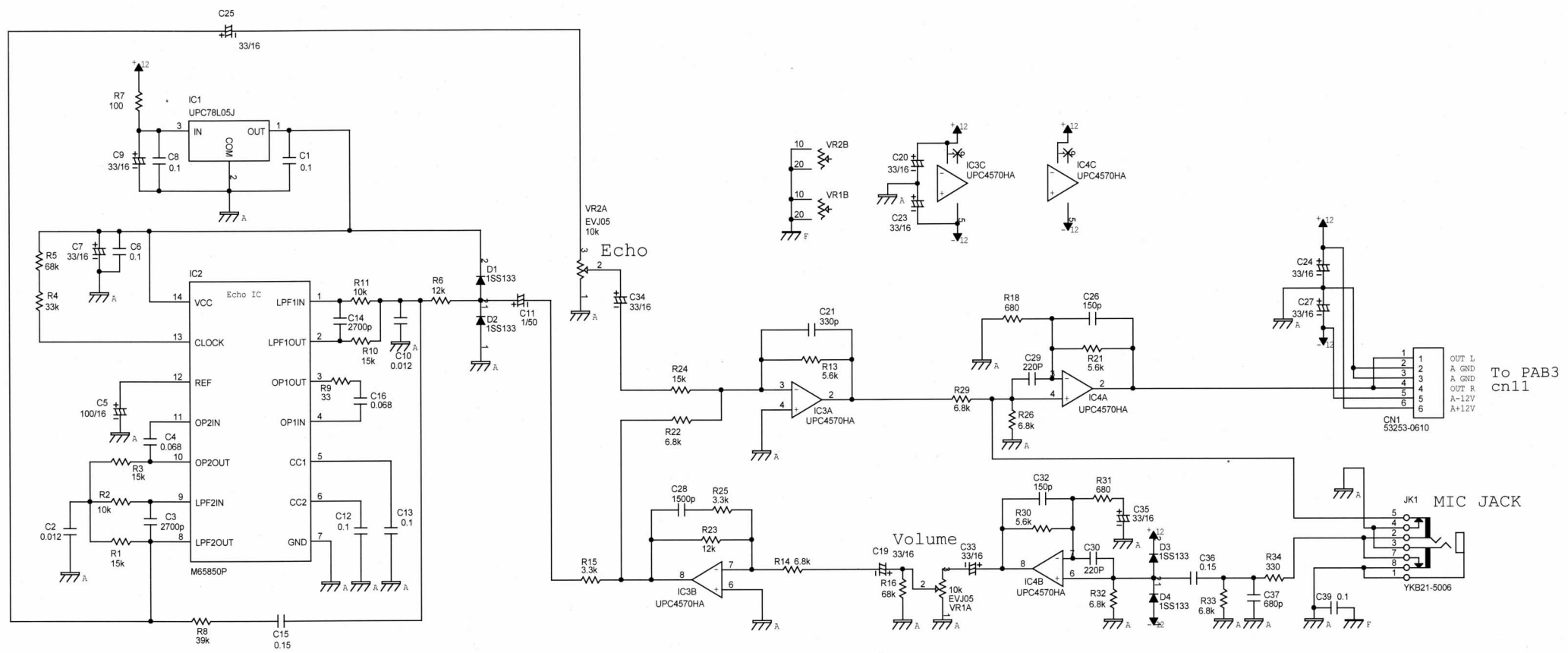


View from components side.

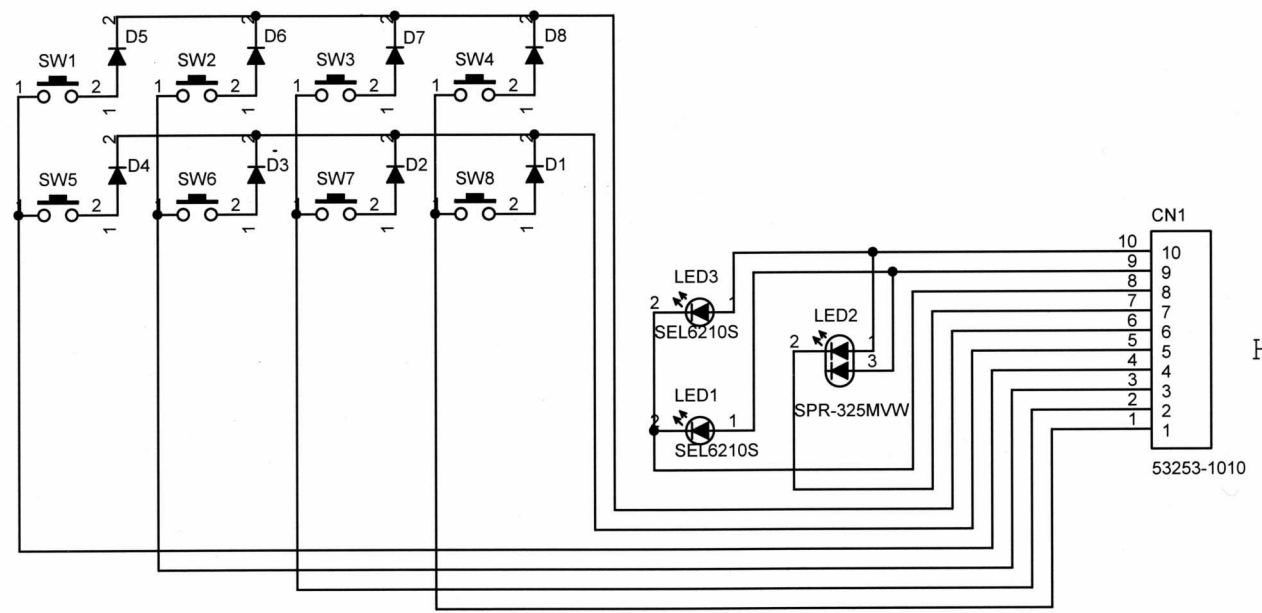
A
B
C
D
E
F
G
H
I
J
K
L
M
N
O
P
Q
R
S
T
U
V

1 2 3 4 5 6 7 8 9 10 11 12 13 14 15 16 17 18 19 20 21 22 23 24 25 26 27 28 29 30 31 32 33 34 35 36 37 38 39 40

A CIRCUIT DIAGRAM (MIC)



L CIRCUIT DIAGRAM (LCD B)



HP-535: To PANEL R (CN1)
 HP-555G: To PANEL R (CN1)
 KR-375: To PANEL R (CN11)

SW2, SW3, SW4, SW8 : EVQ 213 05R
 SW1, SW5, SW7 : SKHJAB 005A
 ALL DIODES : 1SS133
 D3, SW6 : NIU