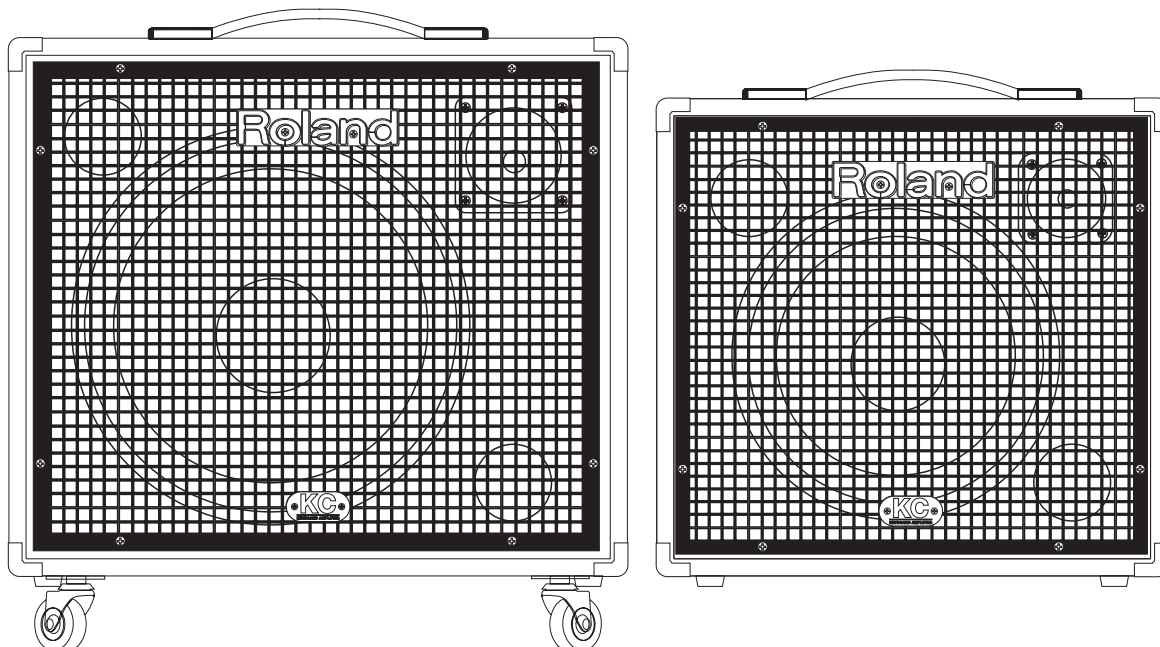


KC-550 KC-350

SERVICE NOTES *Issued by RJA*

CAUTIONARY NOTES	2	PARTS LIST(KC-350)	16
SPECIFICATIONS.....	2	BLOCK DIAGRAM.....	20
LOCATION OF CONTROLS	3	CIRCUIT BOARD (SHEET A BOARD).....	22
LOCATION OF CONTROLS PARTS LIST	3	CIRCUIT BOARD (SHEET B BOARD)	24
EXPLODED VIEW (CABINET).....	4	KC-550 CIRCUIT DIAGRAM (1/4).....	26
EXPLODED VIEW PARTS LIST (CABINET)	5	KC-550 CIRCUIT DIAGRAM (2/4).....	28
EXPLODED VIEW (SCREW)	6	KC-550 CIRCUIT DIAGRAM (3/4).....	30
EXPLODED VIEW PARTS LIST (SCREW)	7	KC-550 CIRCUIT DIAGRAM (4/4).....	32
EXPLODED VIEW (PRE CHASSIS)	8	KC-350 CIRCUIT DIAGRAM (1/4).....	34
EXPLODED VIEW PARTS LIST (PRE CHASSIS)	9	KC-350 CIRCUIT DIAGRAM (2/4).....	36
EXPLODED VIEW (SUB CHASSIS)	10	KC-350 CIRCUIT DIAGRAM (3/4).....	38
EXPLODED VIEW PARTS LIST (SUB CHASSIS).....	11	KC-350 CIRCUIT DIAGRAM (4/4).....	40
PARTS LIST(KC-550).....	12		



Copyright © 2005 ROLAND CORPORATION

All rights reserved. No part of this publication may be reproduced in any form without the written permission of ROLAND CORPORATION.

CAUTIONARY NOTES

PARTS LIST

Due to one or more of the following reasons, parts with parts code ***** cannot be supplied as service parts.

- Part supplied only as a component in a complete assembly
- Copyright does not permit the part to be supplied
- Part is sold commercially

CIRCUIT BOARD

NIU meant that "NOT IN USE " there don't set any contents in the Circuit Diagram.

There has silk-screen only in the Circuit Board.

SPECIFICATIONS

Rated Power Output

[KC-550] 180 W

[KC-350] 120 W

Nominal Input Level (1 kHz)

Channel1 (MIC /LINE): -50 -- -20 dBu

Channel2-4 (LINE): -20 dBu

STEREO LINK INPUT: 0 dBu

AUX IN : -10 dBu

Nominal Output Level (1 kHz)

LINE OUT(XLR type, Phone type): +4 dBu

STEREO LINK OUTPUT: 0 dBu

SUBWOOFER OUT: +4 dBu

LINE OUT Jacks (XLR type) are KC-550 only.

0 dBu = 0.775 Vrms

Speakers

[KC-550] 38 cm (15 inches) x 1, Tweeter x 1

[KC-350] 30 cm (12 inches) x 1, Tweeter x 1

Controls

CHANNEL CONTROL

CH1

VOLUME Knob

CH2

VOLUME Knob

CH3

VOLUME Knob

CH4

VOLUME Knob

OUTPUT SELECT Switch

PHONES VOLUME Knob

MASTER CONTROL

EQUALIZER

LOW Knob

MIDDLE Knob

HIGH Knob

SHAPE Switch

VOLUME Knob

POWER Switch

GND LIFT Switch (KC-550 only)

Indicator

POWER

Connectors

CH1 INPUT Jack (XLR type)

CH1-4 INPUT L(MONO) Jacks (1/4" phone type)

CH1-4 INPUT R Jacks (1/4" phone type)

LINE OUT L(MONO) Jacks (XLR type, 1/4" phone type)

LINE OUT R Jacks (XLR type, 1/4" phone type)

AUX IN Jacks (RCA phono type)

SUBWOOFER OUT Jack (1/4" phone type)

STEREO LINK OUT Jack (1/4" phone type)

STEREO LINK IN Jack (1/4" phone type)

PHONES Jack (Stereo 1/4" phone type)

LINE OUT Jacks (XLR type) are KC-550 only.

Power Supply

AC 117 V, AC 230 V, AC 240 V:50/60Hz

AC 220V:60Hz

Power Consumption

[KC-550] 135 W

[KC-350] 100 W

Dimensions

[KC-550]

590 (W) x 445 (D) x 590 (H) mm

23-1/4 (W) x 17-9/16 (D) x 23-1/4 (H) inches (including casters)

590 (W) x 445 (D) x 536 (H) mm

23-1/4 (W) x 17-9/16 (D) x 21-1/8 (H) inches (excluding casters)

[KC-350]

490 (W) x 385 (D) x 470 (H) mm

19-5/16 (W) x 15-3/16 (D) x 18-9/16 (H) inches

Weight

[KC-550]

29.0 kg

63 lbs 15 oz

[KC-350]

22.0 kg

48 lbs 9 oz

Accessories

[KC-550]

Owner's Manual ENGLISH (#SD000216)

JAPANESE (#SD000215)

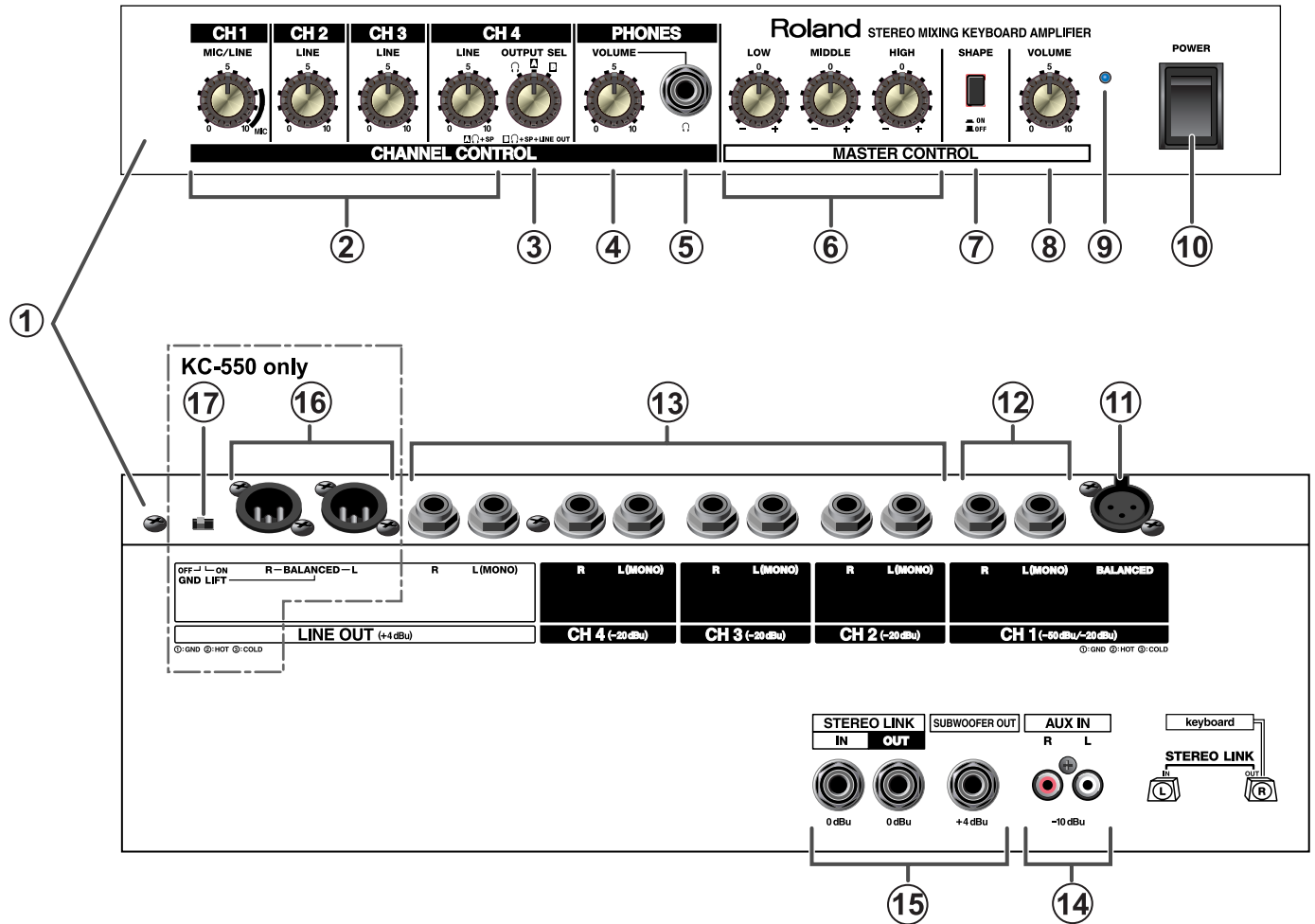
Casters (#SD000680) X 4

[KC-350]

Owner's Manual ENGLISH (#SD000216)

JAPANESE (#SD000215)

LOCATION OF CONTROLS

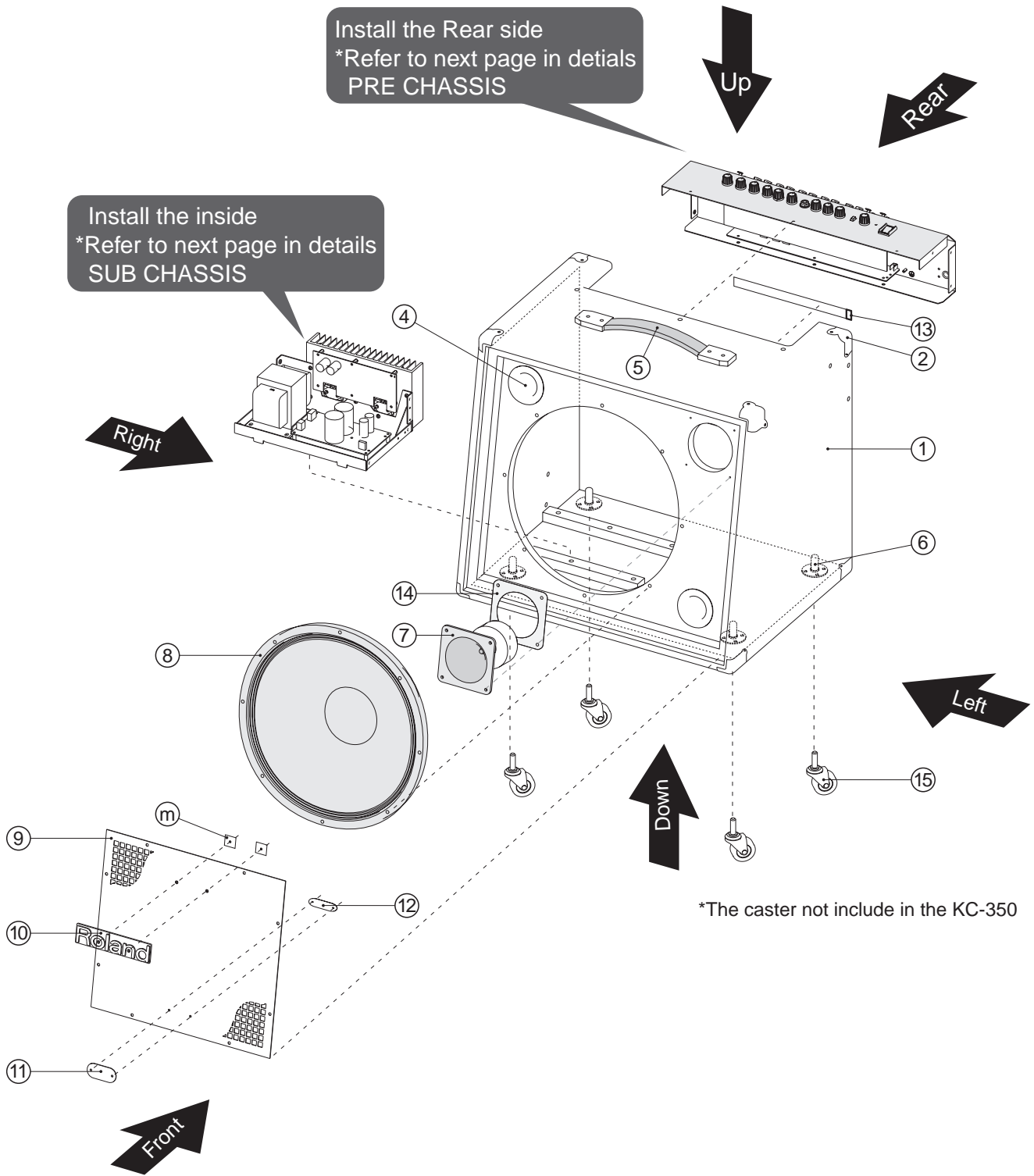


LOCATION OF CONTROLS PARTS LIST

[KC-550/KC-350]

No.	PART CODE	PART NAME	DESCRIPTION	Q'TY
1	SD000702	PRE CHASSIS		1
2	01120167	POTENTIOMETER	RK14K122 100KBX2	4
	SD000598	KNOB(BLACK)	GOLD PLATE	4
3	13119218	ROTARY SWITCH	SRBM13N-F15	1
	SD000598	KNOB(BLACK)	GOLD PLATE	1
4	01120156	POTENTIOMETER	RK14K12B 10KBX2	1
	SD000598	KNOB(BLACK)	GOLD PLATE	1
5	13449145	6.5MM JACK	YKB21-5010	1
	22150756	JACK NUT	215-756	1
6	01120134	POTENTIOMETER	RK11K112 20KB CC	3
	SD000598	KNOB(BLACK)	GOLD PLATE	3
7	01782623	SWITCH	SPUP128100	1
	2249752100	PUSH BUTTON	BLACK #521	1
8	01120145	POTENTIOMETER	RK11K112 10KB	1
	SD000598	KNOB(BLACK)	GOLD PLATE	1
9	F5029133	LED	L-934MBD	1
10	01786012	SEESAW SWITCH	JW-M11RKK	1
	01786045	SW HOLDER	AT-217K	1
11	01902645	XLR CONNECTOR	NC3FAH2 W/LOCK PIN	1
12	13449275	JACK	YKB21-5074	2
	22150756	JACK NUT	215-756	2
13	13449146	6.5MM JACK	YKB21-5012 (W/SW)	8
	22150756	JACK NUT	215-756	8
14	03234590	JACK	YKC21-3503	1
15	13449146	6.5MM JACK	YKB21-5012 (W/SW)	3
	22150756	JACK NUT	215-756	3
16	00122123	XLR CONNECTOR	YKF52-5003	2 (KC-550 only)
17	13159178	SLIDE SWITCH	SSSU12584A	1 (KC-550 only)

EXPLODED VIEW (CABINET)



EXPLODED VIEW PARTS LIST (CABINET)

[KC-550 PARTS]

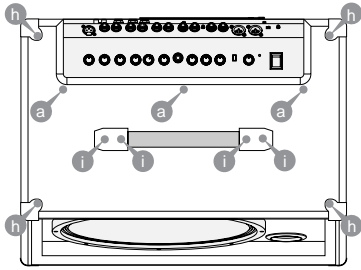
No	PART CODE	PART NAME	DESCRIPTION	Q'TY
1	SD000626	CABINET ASSY		1
		NOTE:CABINET ASSY includes the following parts.		
2	SD000628	2-LEG METAL CORNER BLACK		8
3	12359104	RUBBER FOOT	G-5R	4
4	SD000571	PORT TUBE	2'X4.5 BLACK PLASTIC	2
5	22310207	HANDLE (H40)	231-207 W/ESCUCHEON (2 HOLES)	1
6	SD000627	CASTER SOCKET		4
7	SD000634	SPEAKER HORN TWEETER	SPK-KC-550-TW	1
		NOTE:SPEAKER HORN TWEETER includes the following parts.		
14	*****	TWEETER GASKET		1
8	SD000633	SPEAKER (15INCH WOOFER)	SPK-KC-550-FW	1
9	SD000220	PUNCHING GRILL		1
10	SD000592	LOGO BADGE	(ROLAND)	1
11	SD000593	LOGO PLATE KC GOLD		1
12	SD000349	BADGE HOLDER		1
13	SD000345	VELCRO AC CABLE	8INCHI W/4 INCH	1
15	SD000680	CASTER(W/O SOCKET)	3020-11-SR	4
m	40011689	SPEED NUT M3	F-TYPE	2

[KC-350 PARTS]

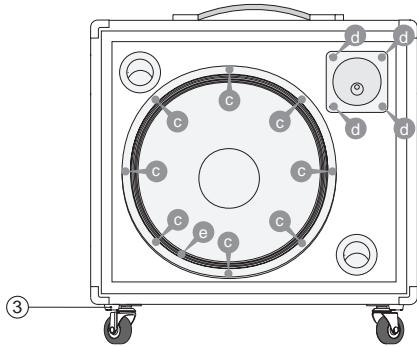
No	PART CODE	PART NAME	DESCRIPTION	Q'TY
1	SD000630	CABINET ASSY		1
		NOTE:SPEAKER HORN TWEETER includes the following parts.		
2	SD000628	2-LEG METAL CORNER BLACK		8
3	12359104	RUBBER FOOT	G-5R	4
4	SD000571	PORT TUBE	2'X4.5 BLACK PLASTIC	2
5	22310207	HANDLE (H40)	231-207 W/ESCUCHEON (2 HOLES)	1
7	SD000692	TWEETER DRIVER	SPK-KC-350-TW	1
		NOTE:SPEAKER HORN TWEETER includes the following parts.		
14	*****	TWEETER GASKET		1
8	SD000691	SPEAKER (12INCH WOOFER)	SPK-KC-350-WF	1
9	SD000220	PUNCHING GRILL		1
10	SD000592	LOGO BADGE	(ROLAND)	1
11	SD000593	LOGO PLATE KC GOLD		1
12	SD000349	BADGE HOLDER		1
13	SD000345	VELCRO AC CABLE	8INCHI W/4 INCH	1
m	40011689	SPEED NUT M3	F-TYPE	2

EXPLODED VIEW (SCREW)

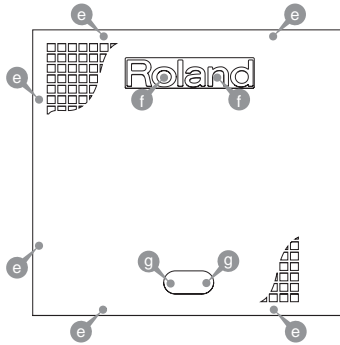
Up



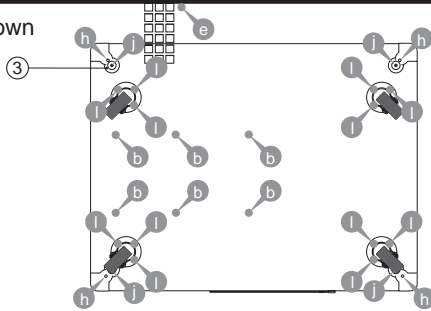
Front



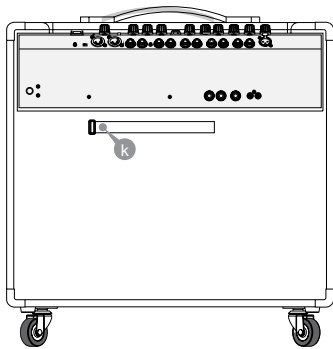
*The casters are not included in the KC-350



down

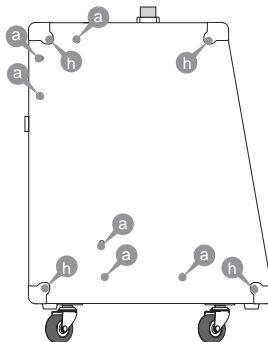


Rear

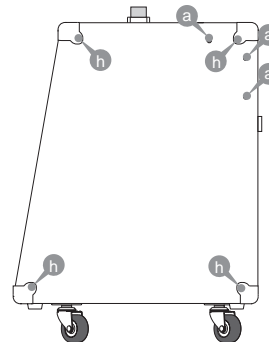


*The casters are not included in the KC-350

Right



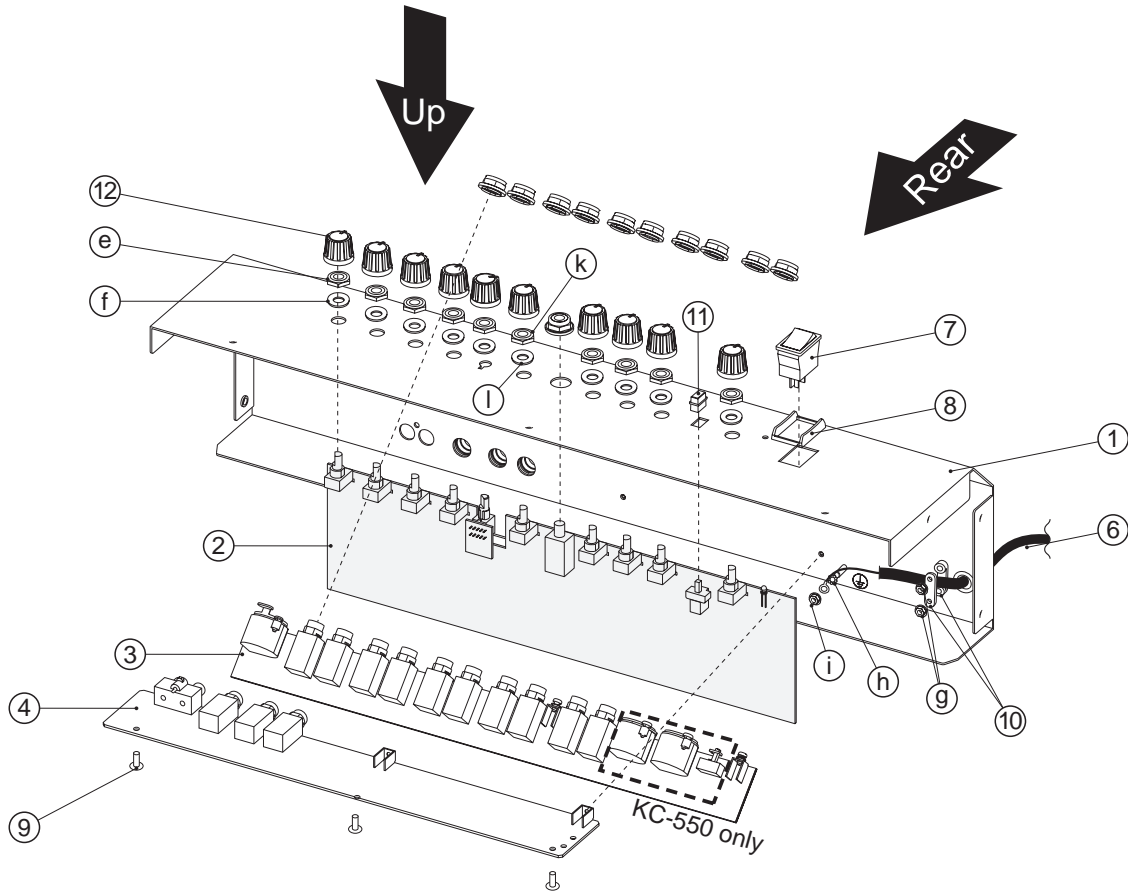
Left



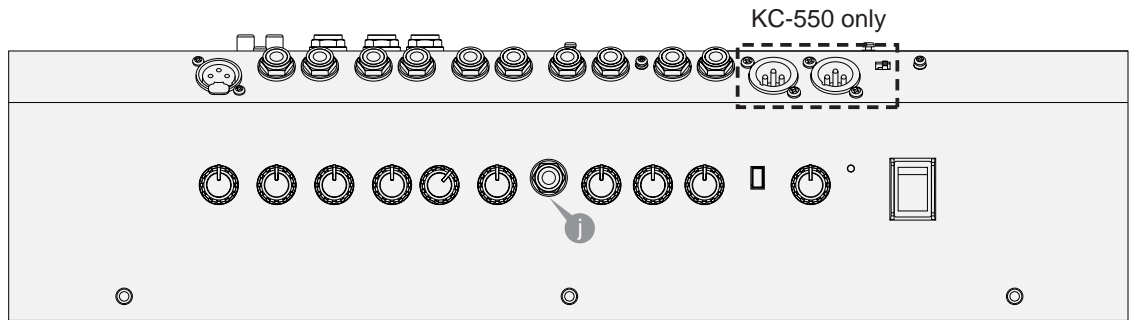
EXPLODED VIEW PARTS LIST (SCREW)

No.	PART CODE	PART NAME	DESCRIPTION	QTY
a	40010601	SCREW M5X35	ORIGINAL TRUSS MACHINE FE BZC	12
b	40012045	SCREW M5X50	TRUSS MACHINE BZC	6
c	40010145	SCREW M4X25	TRUSS MACHINE BZC	8
d	40010678	SCREW 4X20	TRUSS TAPPING A1 FE BZC	4 (KC-550)
	40010667	SCREW M4X16	TRUSS TAPPING-A FE BZC	4 (KC-350)
e	40010667	SCREW M4X16	TRUSS TAPPING-A FE BZC	8
f	40230789	SCREW 3X10	OVAL MACHINE BZC	2
g	40562578	SCREW 3X8	TRUSS TAPTITE B BZC	2
h	TE930140	SCREW 3.5X14	TRUSS TAPPING A BZC	16
i	40238267	SCREW M5X40	OHP MACHINE BZC	4
j	40010678	SCREW 4X20	TRUSS TAPPING A1 FE BZC	8
k	40010667	SCREW M4X16	TRUSS TAPPING-A FE BZC	1
l	40010678	SCREW 4X20	TRUSS TAPPING A1 FE BZC	16 (KC-550 only)

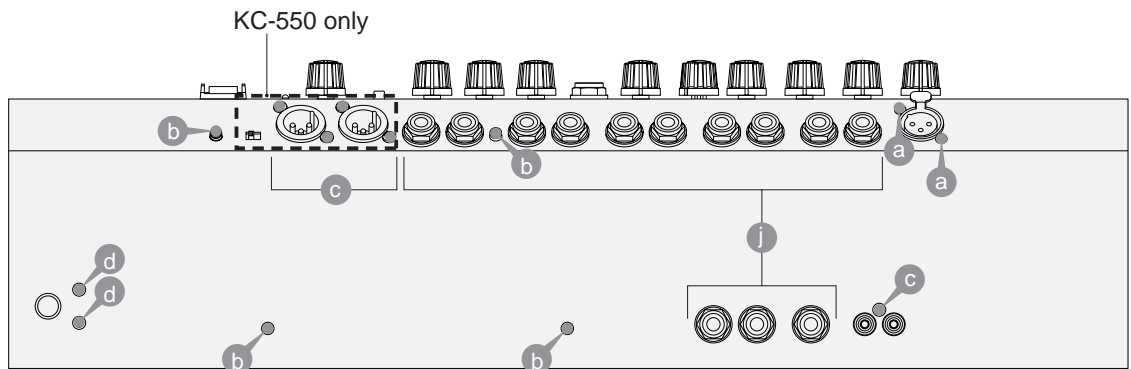
EXPLODED VIEW (PRE CHASSIS)



Up



Rear



EXPLODED VIEW PARTS LIST (PRE CHASSIS)

[KC-550 PARTS]

No	PART CODE	PART NAME	DESCRIPTION	Q'TY
1	SD000702	PRE CHASSIS		1
2	SD000208	SHEET A BOARD ASSY	(PRE BOARD 1/2)	1
3	SD000208	SHEET A BOARD ASSY	(JACK BOARD 2/2)	1
4	SD000209	SHEET B BOARD ASSY	(PSI BOARD 1/3)	1
6	SD000221	AC CORD ASSY 117V	181-BG413-UC	1
	SD000591	AC CORD ASSY 230V	181-BG413-G	1
	SD000625	AC CORD ASSY 230VE	181-BG413-B	1
	SD000629	AC CORD ASSY 240V	181-BG413-A	1
7	01786012	SEESAW SWITCH	JW-M11RKK	1
8	01786045	SW HOLDER	AT-217K	1
9	SD000701	SPEACER	SCT-12A BLACK	3
10	12369410RT	AC CORD HOLDER	1702B	2
11	2249752100	PUSH BUTTON	BLACK #521	1
12	SD000598	KNOB(BLCK)	GOLD PLATE	10

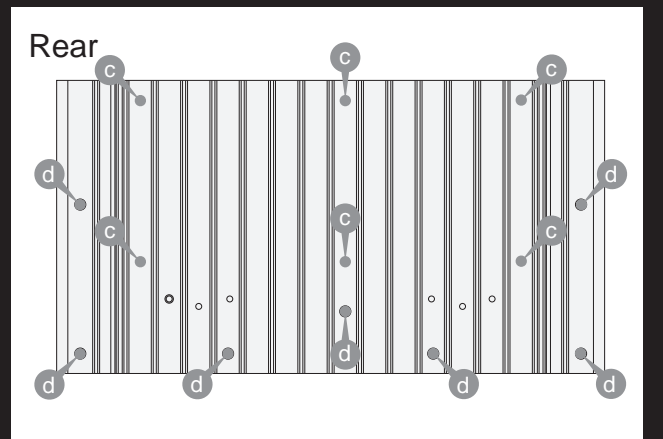
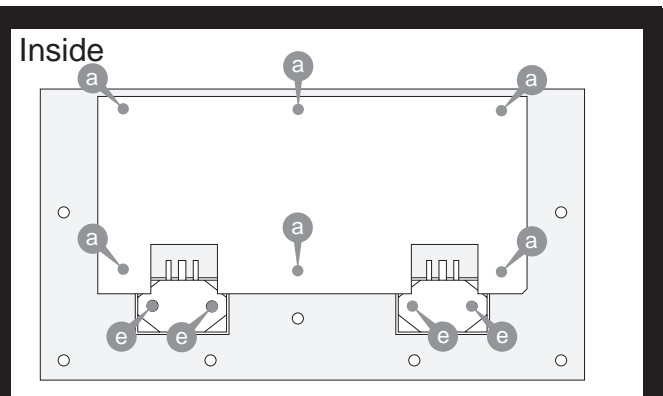
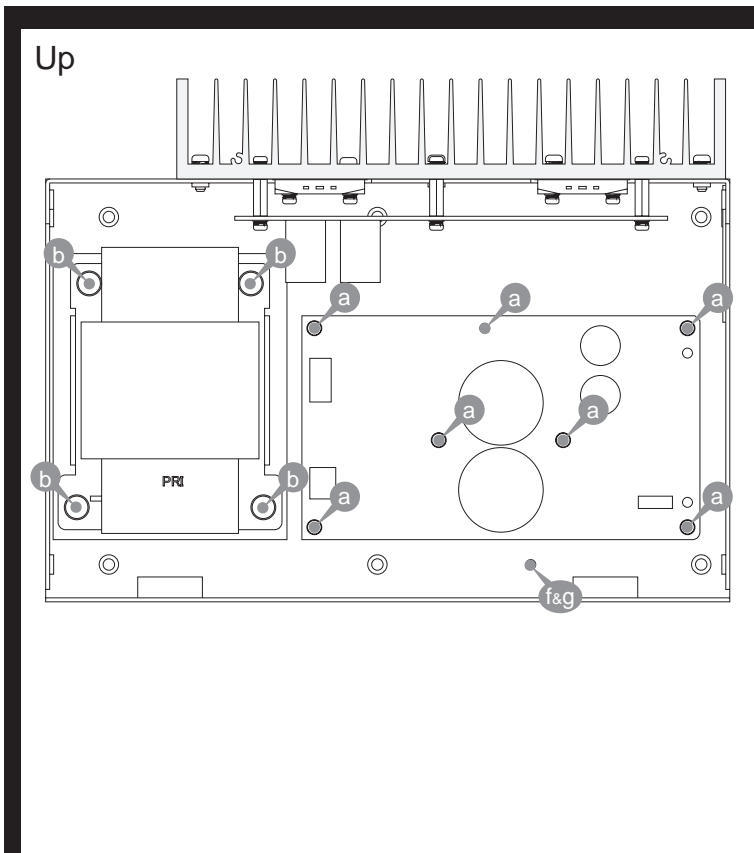
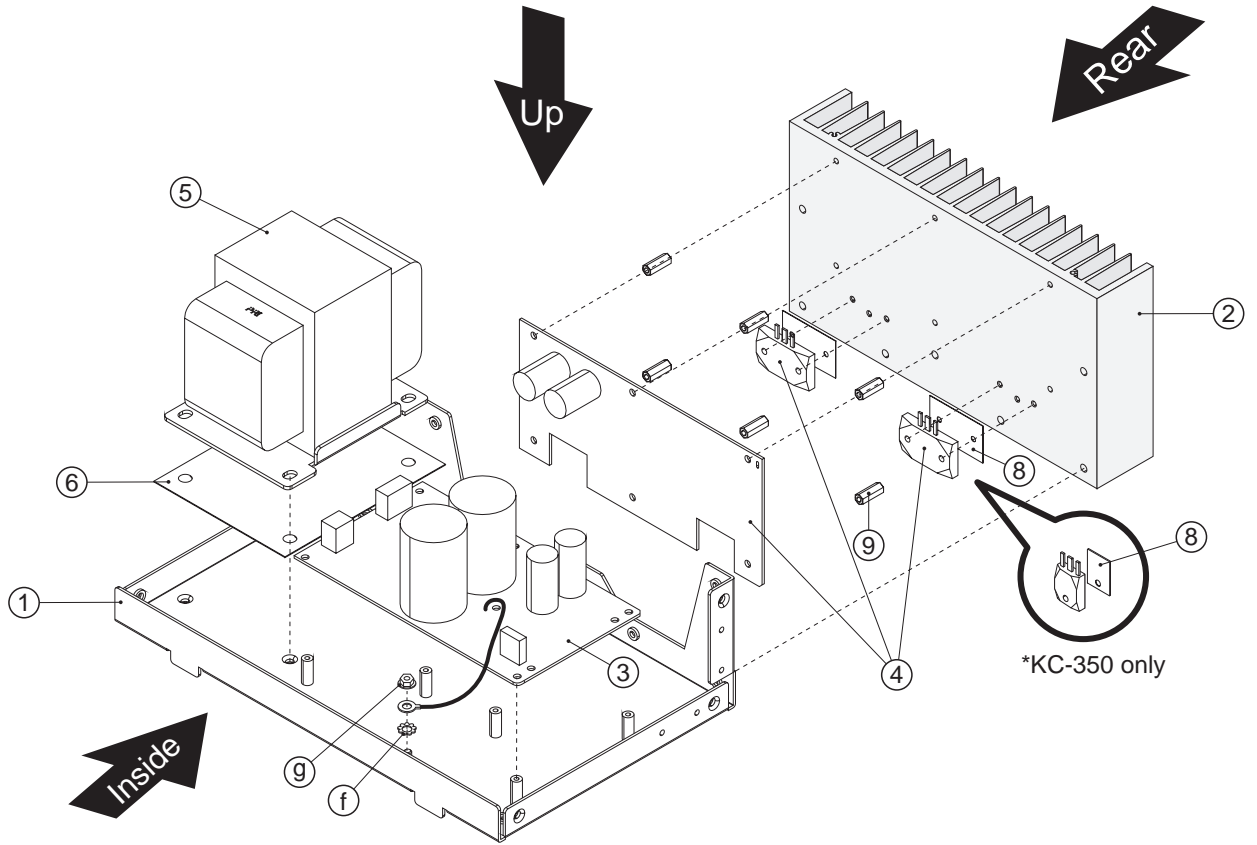
[KC-350 PART]

No	PART CODE	PART NAME1	DESCRIPTION1	Q'TY
1	SD000702	PRE CHASSIS		1
2	SD000210	SHEET A BOARD ASSY	(PRE BOARD 1/2)	1
3	SD000210	SHEET A BOARD ASSY	(JACK BOARD 2/2)	1
4	SD000211	SHEET B BOARD ASSY	(PS BOARD 1/3)	1
6	SD000221	AC CORD ASSY 117V	181-BG413-UC	1
	SD000591	AC CORD ASSY 230V	181-BG413-G	1
	SD000625	AC CORD ASSY 230VE	181-BG413-B	1
	SD000629	AC CORD ASSY 240V	181-BG413-A	1
7	01786012	SEESAW SWITCH	JW-M11RKK	1
8	01786045	SW HOLDER	AT-217K	1
9	SD000701	SPEACER	SCT-12A BLACK	3
10	12369410RT	AC CORD HOLDER	1702B	2
11	2249752100	PUSH BUTTON	BLACK #521	1
12	SD000598	KNOB(BLCK)	GOLD PLATE	10

[KC-550/KC-350 SCREWS]

No.	PART CODE	PART NAME	DESCRIPTION	Q'TY
a	40233012	SCREW M2.6X8	BINDING TAPTITE P BZC	2
b	40012956	SCREW M3X8	PAN MACHINE W/SW+PW FE BZC	4
c	40011312	SCREW 3X8	BINDING TAPTITE P BZC	5 (KC-550)
	40011312	SCREW 3X8	BINDING TAPTITE P BZC	1 (KC-350)
d	40012989	SCREW M3X20	PAN MACHINE W/SW+PW FE BZC	2
e	17048630	VR ACCESSORY NUT M9		9
f	17048631	VR ACCESSORY WASHER M9		9
g	40011756	FLANGE HEX NUT M3	ZC	2
h	40011889	EXTERNAL TOOTH WASHER M4	FECM	2
i	40011767	FLANGE HEX NUT M4	FE ZC	2
j	22150756	JACK NVT 2	PLASTIC/BLK	14
k	40128923	VR ACCESSORY NUT M7		1
l	17048651	VR ACCESSORY WASHER M7		1

EXPLODED VIEW (SUB CHASSIS)



EXPLODED VIEW PARTS LIST (SUB CHASSIS)

[KC-550 PART]

No	PART CODE	PART NAME	DESCRIPTION	Q'TY
1	SD000689	SUB CHASSIS		1
2	SD000700	HEATSINK	K-165 118MM BLACK	1
3	SD000209	SHEET B BOARD ASSY	(PS BOARD 3/3)	1
4	SD000209	SHEET B BOARD ASSY	(PS BOARD 2/3)	1
5	SD000672	TRANSFORMER(100V/117V)		1
	SD000703	TRANSFORMER(230V/240V)		1
6	SD000690	TRANS SHEET		1
8	SD000682	HEATSINK INSULATING	TO-3P	2
9	SD000673	STAND OFF	M3 L=15MM	6

[KC-350 PART]

No	PART CODE	PART NAME	DESCRIPTION	Q'TY
1	SD000689	SUB CHASSIS		1
2	SD000700	HEATSINK	K-165 118MM BLACK	1
3	SD000211	SHEET B BOARD ASSY	(PS BOARD 3/3)	1
4	SD000211	SHEET B BOARD ASSY	(PS BOARD 2/3)	1
5	SD000704	TRANSFORMER(100V/117V)		1
	SD000685	TRANSFORMER(230V/240V)		1
6	SD000690	TRANS SHEET		1
8	SD000708	HEATSINK INSULATING		2
9	SD000673	STAND OFF	M3 L=15MM	6

[SCREWS]

No.	PART CODE	PART NAME	DESCRIPTION	Q'TY
a	40012867	SCREW M3X8	PAN MACHINE W/SW+PW ZC	6
b	SD000675	SCREW M5X12	PAN MACHINE W/SW+PW ZC	4
c	40011456	SCREW M3X12	PAN MACHINE W/SW ZC	6
d	SD000674	SCREW M4X15	PAN MACHINE W/SW ZC	7
e	40012978	SCREW M3X15	PAN MACHINE W/SW+PW BZC	4 (KC-550)
	40012978	SCREW M3X15	PAN MACHINE W/SW+PW BZC	2 (KC-350)
f	40011889	EXTERNAL TOOTH WASHER M4	FECM	1
g	40011767	FLANGE HEX NUT M4	FE ZC	1

PARTS LIST(KC-550)

SAFETY PRECAUTIONS:
The parts marked Δ have safety-related characteristics. Use only listed parts for replacement.

Due to one or more of the following reasons, parts with parts code ***** cannot be supplied as service parts.

- Part supplied only as a component in a complete assembly
- Copyright does not permit the part to be supplied
- Part is sold commercially

NOTE: The parts marked # are new. (initial parts) The description "Q'TY" means a necessary number of the parts per one product.

PRE-> PRE BOARD(SHEET A), JCK -> JACK BOARD(SHEET A) PS-> PS BOARD(SHEET B)
PS1-> PS1 BOARD(SHEET B), AMP-> AMP BOARD(SHEET B),

CASING

	SD000345	VELCRO AC CABLE	8INCHI W/4 INCH	1
	SD000349	BADGE HOLDER		1
#	SD000220	PUNCHING GRILL		1
#	SD000592	LOGO BADGE	(ROLAND)	1
#	SD000593	LOGO PLATE KC GOLD		1
#	SD000626	CABINET ASSY		1
#	NOTE: "CABINET ASSY" includes the following parts.			
	SD000628	2-LEG METAL CORNER BLACK		8
	12359104	RUBBER FOOT	G-5R	4
	22310207	HANDLE (H40)	231-207 W/ESCUCHEON (2 HOLES)	1
#	SD000571	PORT TUBE	2'X4.5 BLACK PLASTIC	2
#	SD000627	CASTER SOCKET		4

CHASSIS

#	SD000702	PRE CHASSIS		1
	01786045	SW HOLDER	AT-217K	1
	12369410RT	AC CORD HOLDER	1702B	2
#	SD000689	SUB CHASSIS		1

KNOB,BUTTON

#	SD000598	KNOB(BLCK)	GOLD PLATE	10
	2249752100	PUSH BUTTON	BLACK #521	1

SWITCH

	13159178	SLIDE SWITCH	SSSU122500	SSW1 on JCK	1
	01782623	SWITCH	SPUP128100	PSW1 on PRE	1
	13119218	ROTARY SWITCH	SRBM132400	RSW1 on PRE	1
	01786012	SEESAW SWITCH	JW-M11RKK		1

JACK,EXT TERMINAL

	00122123	XLR CONNECTER	YKF52-5003	JK12,JK13 on JCK	2
	03234590	RCA(PIN) JACK	YKC21-3503	JK14 on PS1	1
	13449275	6.5MM JACK	YKB21-5074	JK2-3 on JCK	2
	13449146	6.5MM JACK	YKB21-5012 (W/SW)	JK4-11 on JCK,JK15-17 on PS1	11
	13449145	6.5MM JACK	YKB21-5010	JK18 on PRE	1
#	SD000622	TERMINAL	PT1870502	TER1-2 on PS1,TER3-5 on PS	5
	01902645	XLR CONNECTOR	NC3FAH2 W/LOCK PIN	JK1 on JCK	1
#	SD000632	TERMINAL	JH-8M3	TER7-8 on JCK, TER6,9 on PS1	4

SPEAKER, BUZZER

#	SD000634	SPK-KC-550-TW	SPEAKER HORN TWEETER	1
#	SD000633	SPK-KC-550-FW	SPEAKER (15INCH WOOFER)	1

PWB ASSY

#	SD000208	SHEET A BOARD ASSY		1
	NOTE: "SHEET A BOARD ASSY" includes the following parts.			
	*****	SHEET A BOARD ASSY	(PRE BOARD 1/2)	1
	*****	SHEET A BOARD ASSY	(JACK BOARD 2/2)	1
#	SD000209	SHEET B BOARD ASSY		1
	NOTE: "SHEET B BOARD ASSY(100V/117V)" includes the following parts.			
	*****	SHEET B BOARD ASSY	(PS1 BOARD 1/3)	1
	*****	SHEET B BOARD ASSY	(AMP BOARD 2/3)	1
	*****	SHEET B BOARD ASSY	(PS BOARD 3/3)	1
	03670512	5ST 4A/250V	FUSE on FUSE 1	1
	NOTE: Replacement SHEET B BOARD ASSY is for 100V/117V version exclusive use.			

PWB ASSY

SHEET B BOARD ASSY for 100V/117V version differs from 230V/240V version in FUSE system only.

When using SHEET B BOARD (230V/240V) version, be sure to make the following modifications.

1. Replace fuse (FUSE1 on PS1 BOARD) to specific one. (P/No. 03564690 FUSE 55T 2.5 A L/250 V)
 2. Please change into the check marking "230/240V T2.5AL 250V" from "100/117V T5AL 250V" on PS1 BOARD.
- Please refer to TABLE A and TABLE B

TABLE A

KC-550	100/117V	T5AL 250V	KC-550	100/117V	T5AL 250V
	230/240V	T2.5AL 250V		230/240V	T2.5AL 250V
KC-350	100/117V	T4AL 250V	KC-350	100/117V	T4AL 250V
	230/240V	T2AL 250V		230/240V	T2AL 250V

TABLE B

PCB Assy No.	100/117V	PCB Assy No.	100/117V
	SD000209		SD000209
KC-350	SD000211	KC-350	SD000211

IC

00562156	NJM4556AL	IC (OP AMP)	IC14 on PRE	1
15189250	M5218AL	IC (BIPOLAR OP AMP)	IC2-11, IC13 IC8 on PRE, IC12 on PS1	12
15189189	UPC4570HA	IC (BIPOLAR OP AMP)	IC1,IC15 on PRE	2

TRANSISTOR

15119132	2SA1015-GR(TPE2)	TRANSISTOR	Q3,Q40-41 on PS, Q5 on AMP	4
15119723	2SA1837	TRANSISTOR	Q8,Q16 on AMP	2
15119158	2SA970-GR	TRANSISTOR	Q13-14 on AMP	2
01672556	2SB1642	TRANSISTOR	Q2 on PS	1
15129151	2SC1815-GR(TPE2)	TRANSISTOR	Q4 on PS, Q6 on AMP	2
15129192	2SC2240-GR(TPE2)	TRANSISTOR	Q33-36 on PRE, Q10-11 on AMP, Q37-38 on PS1	8
15129152	2SC2878-A(TPE2)	TRANSISTOR	Q22-27, Q39 on PRE, Q12 on AMP, Q28 on PS1	9
15129732	2SC4793	TRANSISTOR	Q9,Q15 on AMP	2
01672545	2SD2531	TRANSISTOR	Q1 on PS	1
01782612	2SA1494	POWER TRANSISTOR	Q17 on AMP	1
01782601	2SC3858	POWER TRANSISTOR	Q7 on AMP	1
15139118	2SK30ATM-GR(TPE2)	FET TRANSISTOR	Q18-21 on PRE, Q29 on PS1	5

DIODE

15019560	RD-16EB-2	ZENER DIODE	D1-2 on PS	2
15019126	1S8133 T-77	SWITCHING DIODE		27
F5029133	L-934MBD	LED	LED1 on PRE,	1
#	SD000637	DIODE	D59-60 on AMP	2
#	SD000636	DIODE	BD2 on PS	1
#	SD000635	BRIDGE DIODE	BD1 on PS	1

RESISTOR

#	SD000644	220 OHM 1/4W	METAL OXIDE RESISTOR	R33,45 on AMP	2
#	SD000683	27 OHM 1/2W	METAL OXIDE RESISTOR	R41 on AMP	1
#	SD000642	3.3 OHM 1/4W	METAL OXIDE RESISTOR	R29-30,49,52 on AMP	4
#	SD000640	47 OHM 1/4W	METAL OXIDE RESISTOR	R21,59 on AMP	2
#	SD000647	0.1 OHM 5W	CEMENT RESISTOR	R47 on AMP	1
#	SD000645	0.33 OHM 5W	CEMENT RESISTOR	R34,46 on AMP	2
#	SD000638	1.2K OHM 1/2W	CARBON RESISTOR	R16 on PS	1
#	SD000639	10K OHM 1/2W	CARBON RESISTOR	R2 on PS	1
#	SD000646	2.2K OHM 1/2W	CARBON RESISTOR	R4,8-9 on PS	3
#	SD000648	220K OHM 1/2W	CARBON RESISTOR	R6 on PS	1
#	SD000643	22K OHM 1/2W	CARBON RESISTOR	R31 on AMP	1
#	SD000643	22K OHM 1/2W	CARBON RESISTOR	R7 on PS	1
#	SD000641	27K OHM 1/2W	CARBON RESISTOR	R28,51 on AMP	2
#	SD000676	82 OHM 1/2W	CARBON RESISTOR	R284,292 on PRE	2

POTENTIOMETER

01120145	RK11K112 10KB	POTENTIOMETER	VR9 on PRE	1
01120134	RK11K1120091 20KB CC	POTENTIOMETER	VR6-8 on PRE	3
01120167	RK14K122 100KBX2	POTENTIOMETER	VR1-4 on PRE	4
01120156	RK14K12B 10KBX2	POTENTIOMETER	VR5 on PRE	1

CAPACITOR

#	SD000653	0.22UF/250V DC	PLASTIC CAPACITOR	C2 on PS	1
#	SD000652	1.8UF/250V DC	PLASTIC CAPACITOR	C18 on AMP	1
#	SD000688	1UF/50V	ELECTORIC CAPACITOR	C12 on PS	1
#	SD000655	2200UF/35V	ELECTORIC CAPACITOR	C4,10 on PS	2
#	SD000656	220UF/35V	ELECTORIC CAPACITOR	C6,9 on PS,C308-309 on PRE	2
#	SD000650	4700UF/100V	ELECTORIC CAPACITOR	C1,C3 on PS	2
#	SD000651	470UF/100V	ELECTORIC CAPACITOR	C15,30 on AMP	2

CAPACITOR					
#	SD000654	47UF/100V	ELECTORIC CAPACITOR	C303-304 on AMP	2
	SD000246	EC8472MH	CERAMIC CAPACITOR	C8 on PS	1
	SD000247	PY17FY472MLO	CERAMIC CAPACITOR	C7 on PS1	1
	SD000530	HANDLE HOLDER		C5,11 on PS	2
FUSE,FUSE HOLDER					
#	SD000658	MRT 100MA/250V	RADIAL TYPE	FUSE4-5 on AMP	2
#	SD000008	5ST 500MA/250V 230V/240V	FUSE 5X20	FUSE2-3 on PS	2
	03670512	5ST 5 AL/250V	FUSE	FUSE1 on PS1(100V/117V)	1
	03564690	5ST 2.5 2.5A/250V	FUSE	FUSE1 on PS1(230V/240V)	1
	12199550RT	FUSE HOLDER	HFT-015	FUSE1 on PS1,FUSE2-3 on PS	6
CONNECTOR					
	13369541	B10B-PH-K-S	CONNECTOR	CN17 on PRE	1
	13369564	B12B-PH-K-S JST	CONNECTOR	CN1 on PRE	1
	13369898	B2P3-VH 7A/250V	CONNECTOR	CN18 on PS,CN19 on PS1	2
	13369567	B4B-PH-K-S JST (4P)	CONNECTOR	CN4 on PS1,CN9 on AMP	2
	13369981	B5P-VH 7A/250V	CONNECTOR	CN16 on PS	1
	13369503	B7B-PH-K-S JST	CONNECTOR	CN2-3 on PRE	2
	13369516	B9B-PH-KS JST	CONNECTOR	CN13 on PRE,CN12 on PS	2
WIRING, CABLE					
#	SD000666	WIRING	W9 (80MM W/LAG)	WP14 on PS	1
#	SD000670	WIRING	W8 (3P 60MM)	WP5,8 on AMP	2
#	SD000659	WIRING	W7 (9P 850MM)	CN13 on PRE to CN12 on PS	1
#	SD000669	WIRING	W6(3P 230MM)	WP25 on PS to WP26 on AMP	1
#	SD000663	WIRING	W5 (4P 660MM)	CN4 on PS1 to CN9 on AMP	1
#	SD000664	WIRING	W3 (4P 50MM)	WP10 to WP11 on PRE	1
#	SD000668	WIRING	W2 (7P 150MM)	WP22 on JCK to CN3 on PRE	1
#	SD000661	WIRING	W13 (2P 860MM)	CN18 on PS to CN19 on PS1	1
#	SD000660	WIRING	W12 (10P 150MM)	CN17 on PRE to WP23 on PS1	1
#	SD000671	WIRING	W11 (4P 700/500MM)	WP7 on AMP	1
#	SD000665	WIRING	W10 (170MM BLACK)	WP12-13 on PS1	2
#	SD000667	WIRING	W1 (12P 150MM)	WP21 on JCK to CN1 on PRE	1
	SD000631	WIRING	W4 (7P 210MM)	CN2 on PRE to WP24 on PS1	1
TRANSFORMER					
#	SD000672	TRANSFORMER(117V)			1
	SD000703	TRANSFORMER(230V/240V)			1
AC CORD ASSY(Installed)					
#	SD000614	AC CORD ASSY 100V	181-BG413-J		1
	SD000221	AC CORD ASSY 117V	181-BG413-VC		1
	SD000591	AC CORD ASSY 230V	181-BG413-G		1
	SD000625	AC CORD ASSY 230VE	181-BG413-B		1
	SD000629	AC CORD ASSY 240V	181-BG413-A		1
SCREWS					
[for CHASSIS]					
	40012989	SCREW M3X20	PAN MACHINE W/SW+PW BZC	fix AC CORD HOLDER	2
	40233012	SCREW M2.6X8	BINDING TAPTITE P BZC	fix JK1	2
	40011312	SCREW 3X8	BINDING TAPTITE P BZC	fix JK12-14	5
	40012956	SCREW M3X8	PAN MACHINE W/SW+PW FE BZC	fix JCK,PS1 to CHASSIS	4
	40011456	SCREW M3X12	PAN MACHINE W/SW ZC	ffix HEATSINK to AMP	6
	40012867	SCREW M3X8	PAN MACHINE W/SW+PW ZC	fix AMP to CHASSIS	6
	40012978	SCREW M3X15	PAN MACHINE W/SW+PW BZC	fix Q7,17	4
	SD000675	SCREW M5X12	PAN MACHINE W/SW+PW ZC	fix TRANS	4
	SD000674	SCREW M4X15	PAN MACHINE W/SW ZC	fix HEATSINK to CHASSIS	7
	40011756	FLANGE HEX NUT M3	ZC	fix AC CORD HOLDER	2
	40011767	FLANGE HEX NUT M4	FE ZC	fix GND WIRING	2
	40011889	EXTERNAL TOOTH WASHER M4	FECM	fix GND WIRING	2
	SD000673	STAND OFF	M3 L=15MM	fix AMP,HEATSINK	6
	22150756	JACK NUT	215-756	fix JK2-11,15-18	14
	40128923	VR ACCESSORY NUT M7		fix RSW1	1
	17048651	VR ACCESSORY WASHER M7		fix RSW1	1
	17048630	VR ACCESSORY NUT M9		fix VR1-9	9
	17048631	VR ACCESSORY WASHER M9		fix VR1-9	9
[for CABINET]					
	40010601	SCREW M5X35	ORIGINAL TRUSS MACHINE FE BZC	fix PRE & SUB CHASSIS	12
	40012045	SCREW M5X50	TRUSS BZC	fix SUB CHASSIS	6
	40010145	SCREW M4X25	TRUSS MACHINE BZC	fix WOOFER	8
	40010678	SCREW 4X20	TRUSS TAPPING A1 FE BZC	fix TW,FOOT	8
	40010667	SCREW M4X16	TRUSS TAPPING-A FE BZC	fix GRILL,CABLE TIE	9
	40230789	SCREW 3X10	OVAL MACHINE BZC	fix BATCH ROLAND	2

SCREWS

40011689	SPEED NUT M3	F-TYPE	fix BATCH ROLAND	2
40562578	SCREW 3X8	TRUSS TAPTITE B BZC	fix BATCH KC	2
TE930140	SCREW M3.5X14	TRUSS TAPTITE A BZC	fix CORNER	16
40238267	SCREW M5X40	OHP MACHINE BZC	fix HANDLE	4

PACKING

#	SD000677	PACKING CASE		1
#	SD000678	PACKING PAD LOWER		1
#	SD000679	PACKING PAD UPPER		1

MISCELLANEOUS

#	SD000682	HEATSINK INSULATING		for Q7,17	2
#	SD000701	SPEACER	SCT-12A BLACK	fix PS1 to CHASSIS	3
#	SD000700	HEATSINK	K-165 118MM BLACK		1
#	SD000690	TRANS SHEET			1

ACCESSORIES (Standard)

40232334	WARRANTY CARD	MOCHIKOMI JAPAN ONLY		1
#	SD000215	OWNER'S MANUAL	JAPANESE	1
#	SD000216	OWNER'S MANUAL	ENGLISH	1
#	SD000680	CASTER(W/O SOCKET)	3020-11-SR	4

PARTS LIST(KC-350)

SAFETY PRECAUTIONS:
The parts marked Δ have safety-related characteristics. Use only listed parts for replacement.

Due to one or more of the following reasons, parts with parts code ***** cannot be supplied as service parts.

- Part supplied only as a component in a complete assembly
- Copyright does not permit the part to be supplied
- Part is sold commercially

NOTE: The parts marked # are new. (initial parts) The description "Q'TY" means a necessary number of the parts per one product.

PRE -> PRE BOARD(SHEET A), JCK -> JACK BOARD(SHEET A) PS -> PS BOARD(SHEET B)
PS1 -> PS1 BOARD(SHEET B), AMP -> AMP BOARD(SHEET B)

CASING

#	SD000345	VELCRO AC CABLE	8INCHI W/4 INCH	1
#	SD000592	LOGO BADGE	(ROLAND)	1
#	SD000687	HEATSINK HOLDER		1
#	SD000593	LOGO PLATE KC GOLD		1
#	SD000220	PUNCHING GRILL		1
#	SD000630	CABINET ASSY		1
NOTE: "CABINET ASSY" includes the following parts.				
	12359104	RUBBER FOOT	G-5R	4
#	SD000628	2-LEG METAL CORNER BLACK		8
	22310207	HANDLE (H40)	231-207 W/ESCUCHEON (2 HOLES)	1
#	SD000571	PORT TUBE	2'X4.5 BLACK PLASTIC	2

CHASSIS

	01786045	SW HOLDER	AT-217K	1
	12369410RT	AC CORD HOLDER	1702B	2
	SD000349	BADGE HOLDER		1
#	SD000702	PRE CHASSIS		1
#	SD000689	SUB CHASSIS		1

KNOB,BUTTON

#	2249752100	PUSH BUTTON	BLACK #521	1
#	SD000598	KNOB(BLCK)	GOLD PLATE	10

SWITCH

	13119218	ROTARY SWITCH	SRBM132400	RSW1 on PRE	1
	01782623	SWITCH	SPUP128100	PSW1 on PRE	1
	01786012	SEESAW SWITCH	JW-M11RKK		1

JACK,EXT TERMINAL

	03234590	RCA(PIN) JACK	YKC21-3503	JK14 on PS1	1
	13449275	6.5MM JACK	YKB21-5074	JK2-3 on JCK	2
	13449146	6.5MM JACK	YKB21-5012 (W/SW)	JK4-11 on JCK,JK15-17 on PS1	11
	13449145	6.5MM JACK	YKB21-5010	JK18 on PRE	1
	01902645	XLR CONNECTOR	NC3FAH2 W/LOCK PIN	JK1 on JCK	1

SPEAKER, BUZZER

#	SD000692	SPK-KC-350-TW	TWEETER DRIVER	1
#	SD000691	SPK-KC-350-WF	SPEAKER (12INCH WOOFER)	1

PWB ASSY

#	SD000210	SHEET A BOARD ASSY		1
NOTE: "SHEET A BOARD ASSY" includes the following parts.				
	*****	SHEET A BOARD ASSY	(PRE BOARD 1/2)	1
	*****	SHEET A BOARD ASSY	(JACK BOARD 2/2)	1

#	SD000211	SHEET B BOARD ASSY		1	
NOTE: "SHEET B BOARD ASSY(100V/117V)" includes the following parts.					
	*****	PS1 BOARD		1	
	*****	AMP BOARD		1	
	*****	PS BOARD		1	
	03670523	5ST 4A/250V	FUSE	on FUSE 1	1

NOTE: Replacement SHEET B BOARD ASSY is for 100V/117V version exclusive use.
SHEET B BOARD ASSY for 100V/117V version differs from 230V/240V version in FUSE system only.
When using SHEET B BOARD (230V/240V) version, be sure to make the following modifications.
1. Replace fuse (FUSE1 on PS1 BOARD) to specific one. (P/No.03673989 5ST 2 A L/250 V)
2. Please change into the check marking "230/240V T2AL 250V" from "100/117V T4AL 250V" on PS1 BOARD

PWB ASSY

Please refer to TABLE A and TABLE B.

TABLE A

KC-550	100/117V	T5AL 250V	KC-550	100/117V	T5AL 250V
	230/240V	T2.5AL 250V		230/240V	T2.5AL 250V
KC-350	100/117V	T4AL 250V	KC-350	100/117V	T4AL 250V
	230/240V	T2AL 250V		230/240V	T2AL 250V

TABLE B

PCB Assy No.	100/117V	PCB Assy No.	100/117V
KC-550	SD000209	KC-550	SD000209
KC-350	SD000211	KC-350	SD000211

IC

00562156	NJM4556AL	IC (OP AMP)	IC14 on PRE	1
15189250	M5218AL	IC (BIPOLAR OP AMP)	IC2-7,9-11,IC13 on PRE IC12 on PS1	11
15189189	UPC4570HA	IC (BIPOLAR OP AMP)	IC1,IC15 on PRE	2

TRANSISTOR

15119132	2SA1015-GR(TPE2)	TRANSISTOR	Q3,Q40-41 on PS,Q5 on AMP	4
15119723	2SA1837	TRANSISTOR	Q8,Q16 on AMP	2
01120223	2SA1962-0	TRANSISTOR	Q17 on AMP	1
15119158	2SA970-GR	TRANSISTOR	Q13-14 on AMP	2
01672556	2SB1642	TRANSISTOR	Q2 on PS	1
15129151	2SC1815-GR(TPE2)	TRANSISTOR	Q4 on PS,Q6 on AMP	2
15129192	2SC2240-GR(TPE2)	TRANSISTOR	Q33-36 on PRE,Q10-11 on AMP,Q37-38 on PS1	8
15129152	2SC2878-A(TPE2)	TRANSISTOR	Q26-27,Q39 on PRE,Q12 on AMP,Q28 on PS1	5
15129732	2SC4793	TRANSISTOR	Q9,Q15 on AMP	2
01120234	2SC5242-0	TRANSISTOR	Q7 on AMP	1
01672545	2SD2531	TRANSISTOR	Q1 on PS	1
15139118	2SK30ATM-GR(TPE2)	FET TRANSISTOR	Q18-21 on PRE,Q29 on PS1	5

DIODE

15019126	1SS133 T-77	SWITCHING DIODE	D8-15,D24-27,D40-43 on PRE,D3-4 on PS,D48 on	19
F5029133	L-934MBD	LED	LED1 on PRE,	1
#	SD000637	DIODE	D59-60 on AMP	2
#	SD000636	DIODE	BD2 on PS	1
#	SD000635	BRIDGE DIODE	BD1 on PS	1
	15019560	ZENER DIODE	D1-2 on PS	2

RESISTOR

#	SD000644	220 OHM 1/4W	METAL OXIDE RESISTOR	R33,45 on AMP	2
#	SD000683	27 OHM 1/2W	METAL OXIDE RESISTOR	R41 on AMP	1
#	SD000642	3.3 OHM 1/4W	METAL OXIDE RESISTOR	R29-30,49,52 on AMP	4
#	SD000640	47 OHM 1/4W	METAL OXIDE RESISTOR	R21,59 on AMP	2
	SD000638	1.2K OHM 1/2W	CARBON RESISTOR	R16 on PS	1
#	SD000647	0.1 OHM 5W	CEMENT RESISTOR	R47 on AMP	1
#	SD000645	0.33 OHM 5W	CEMENT RESISTOR	R34,46 on AMP	2
#	SD000693	12 OHM 7W	CEMENT RESISTOR	R31 on AMP	1
#	SD000639	10K OHM 1/2W	CARBON RESISTOR	R2 on PS	1
#	SD000646	2.2K OHM 1/2W	CARBON RESISTOR	R4,8-9 on PS	3
#	SD000648	220K OHM 1/2W	CARBON RESISTOR	R6 on PS	1
#	SD000643	22K OHM 1/2W	CARBON RESISTOR	R7 on PS	1
#	SD000641	27K OHM 1/2W	CARBON RESISTOR	R28,51 on AMP	2
#	SD000676	82 OHM 1/2W	CARBON RESISTOR	R284,292 on PRE	2
#	SD000686	METAL OXIDE RESISTOR	0.1 OHM 2W		1

POTENTIOMETER

01120145	RK11K112 10KB	POTENTIOMETER	VR9 on PRE	1
01120134	RK11K1120091 20KB CC	POTENTIOMETER	VR6-8 on PRE	3
01120167	RK14K122 100KBX2	POTENTIOMETER	VR1-4 on PRE	4
01120156	RK14K12B 10KBX2	POTENTIOMETER	VR5 on PRE	1

CAPACITOR

#	SD000653	0.22UF/250V DC	PLASTIC CAPACITOR	C2 on PS	1
#	SD000695	1.5UF/250V DC	PLASTIC CAPACITOR	C18 on AMP	1
#	SD000688	1UF/50V	ELECTORIC CAPACITOR	C12 on PS	1
#	SD000656	220UF/35V	ELECTORIC CAPACITOR	C6,9 on PS,C308-309 on PRE	2
#	SD000694	3300UF/100V	ELECTORIC CAPACITOR	C1,C3 on PS	2
#	SD000651	470UF/100V	ELECTORIC CAPACITOR	C15,30 on AMP	2
#	SD000696	470UF/35V	ELECTORIC CAPACITOR	C5,11 on PS	2
#	SD000654	47UF/100V	ELECTORIC CAPACITOR	C303-304 on AMP	2
	SD000246	EC8472MH	CERAMIC CAPACITOR	C8 on PS	1
	SD000247	PY17FY472MLO	CERAMIC CAPACITOR	C7 on PS1	1

CAPACITOR

#	SD000655	ELECTORIC CAPACITOR	2200UF/35V	C4,10 on PS	2
---	----------	---------------------	------------	-------------	---

FUSE,FUSE

#	SD000658	MRT 100MA/250V	RADIAL TYPE	FUSE4-5 on AMP	2
#	SD000008	5ST 500MA/250V 230V/240V	FUSE 5X20	FUSE2-3 on PS	2
	03670523	5ST 4 4A/250V	FUSE	FUSE1 on PS1(100V/117V)	1
	03673989	5ST 2 2A/250V	FUSE	FUSE1 on PS1(230V/240V)	1
	12199550RT	FUSE HOLDER	HFT-015	FUSE1 on PS1,FUSE2-3 on PS	6

CONNECTOR

	13369541	B10B-PH-K-S	CONNECTOR	CN17 on PRE	1
	13369564	B12B-PH-K-S JST	CONNECTOR	CN1 on PRE	1
	13369898	B2P3-VH 7A/250V	CONNECTOR	CN18 on PS,CN19 on PS1	2
	13369567	B4B-PH-K-S JST (4P)	CONNECTOR	CN4 on PS1,CN9 on AMP	2
	13369981	B5P-VH 7A/250V	CONNECTOR	CN16 on PS	1
	13369503	B7B-PH-K-S JST	CONNECTOR	CN2-3 on PRE	2
	13369516	B9B-PH-KS JST	CONNECTOR	CN13 on PRE,CN12 on PS	2

WIRING, CABLE

#	SD000666	WIRING	W9 (80MM W/LAG)	WP14 on PS	1
#	SD000670	WIRING	W8 (3P 60MM)	WP5,8 on AMP	2
#	SD000659	WIRING	W7 (9P 850MM)	CN13 on PRE to CN12 on PS	1
#	SD000669	WIRING	W6(3P 230MM)	WP25 on PS to WP26 on AMP	1
#	SD000663	WIRING	W5 (4P 660MM)	CN4 on PS1 to CN9 on AMP	1
#	SD000664	WIRING	W3 (4P 50MM)	WP10 to WP11 on PRE	1
#	SD000668	WIRING	W2 (7P 150MM)	WP22 on JCK to CN3 on PRE	1
#	SD000661	WIRING	W13 (2P 860MM)	CN18 on PS to CN19 on PS1	1
#	SD000660	WIRING	W12 (10P 150MM)	CN17 on PRE to WP23 on PS1	1
#	SD000671	WIRING	W11 (4P 700/500MM)	WP7 on AMP	1
#	SD000665	WIRING	W10 (170MM BLACK)	WP12-13 on PS1	2
#	SD000667	WIRING	W1 (12P 150MM)	WP21 on JCK to CN1 on PRE	1
#	SD000631	WIRING	W4 (7P 210MM)	CN2 on PRE to WP24 on PS1	1

TRANSFORMER

#	SD000704	TRANSFORMER(100V/117V)			1
	SD000685	TRANSFORMER(230V/240V)			1

AC CORD ASSY(Installed)

#	SD000614	AC CORD ASSY 100V	18-BG413-J		1
	SD000221	AC CORD ASSY 117V	18-BG413-UC		1
	SD000591	AC CORD ASSY 230V	18-BG413-G		1
	SD000625	AC CORD ASSY 230VE	18-BG413-B		1
	SD000629	AC CORD ASSY 240V	18-BG413-A		1

SCREWS

[for CHASSIS]

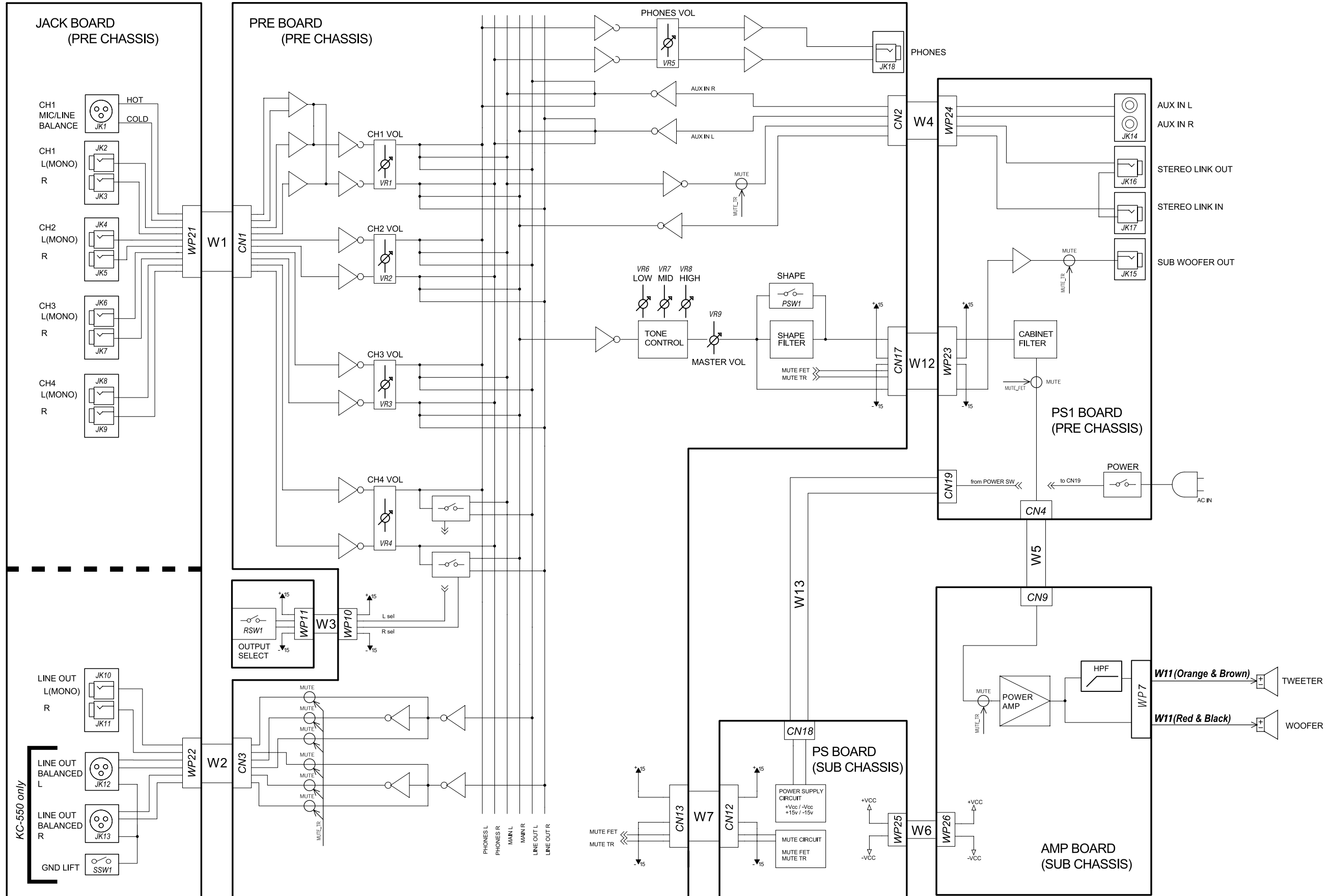
	40012989	SCREW M3X20	PAN MACHINE W/SW+PW BZC	fix AC CORD HOLDER	2
	40233012	SCREW M2.6X8	BINDING TAPTITE P BZC	fix JK1	2
	40011312	SCREW 3X8	BINDING TAPTITE P BZC	fix JK14	1
	40012956	SCREW M3X8	PAN MACHINE W/SW+PW FE BZC	fix JCK,PS1 to CHASSIS	4
	40011456	SCREW M3X12	PAN MACHINE W/SW ZC	fix HEATSINK to AMP	6
	40012867	SCREW M3X8	PAN MACHINE W/SW+PW ZC	fix AMP to CHASSIS	6
	40012978	SCREW M3X15	PAN MACHINE W/SW+PW BZC	fix Q7,17	2
	SD000675	SCREW M5X12	PAN MACHINE W/SW+PW ZC	fix TRANS	4
	SD000674	SCREW M4X15	PAN MACHINE W/SW ZC	fix HEATSINK to CHASSIS	7
	40011756	FLANGE HEX NUT M3	ZC	fix AC CORD HOLDER	2
	40011767	FLANGE HEX NUT M4	FE ZC	fix GND WIRING	2
	40011889	EXTERNAL TOOTH WASHER M4	FECM	fix GND WIRING	2
	SD000673	STAND OFF	M3 L=15MM	fix AMP,HEATSINK	6
	22150756	JACK NUT	215-756	fix JK2-11,15-18	14
	40128923	VR ACCESSORY NUT M7		fix RSW1	1
	17048651	VR ACCESSORY WASHER M7		fix RSW1	1
	17048630	VR ACCESSORY NUT M9		fix VR1-9	9
	17048631	VR ACCESSORY WASHER M9		fix VR1-9	9

[for CABINET]

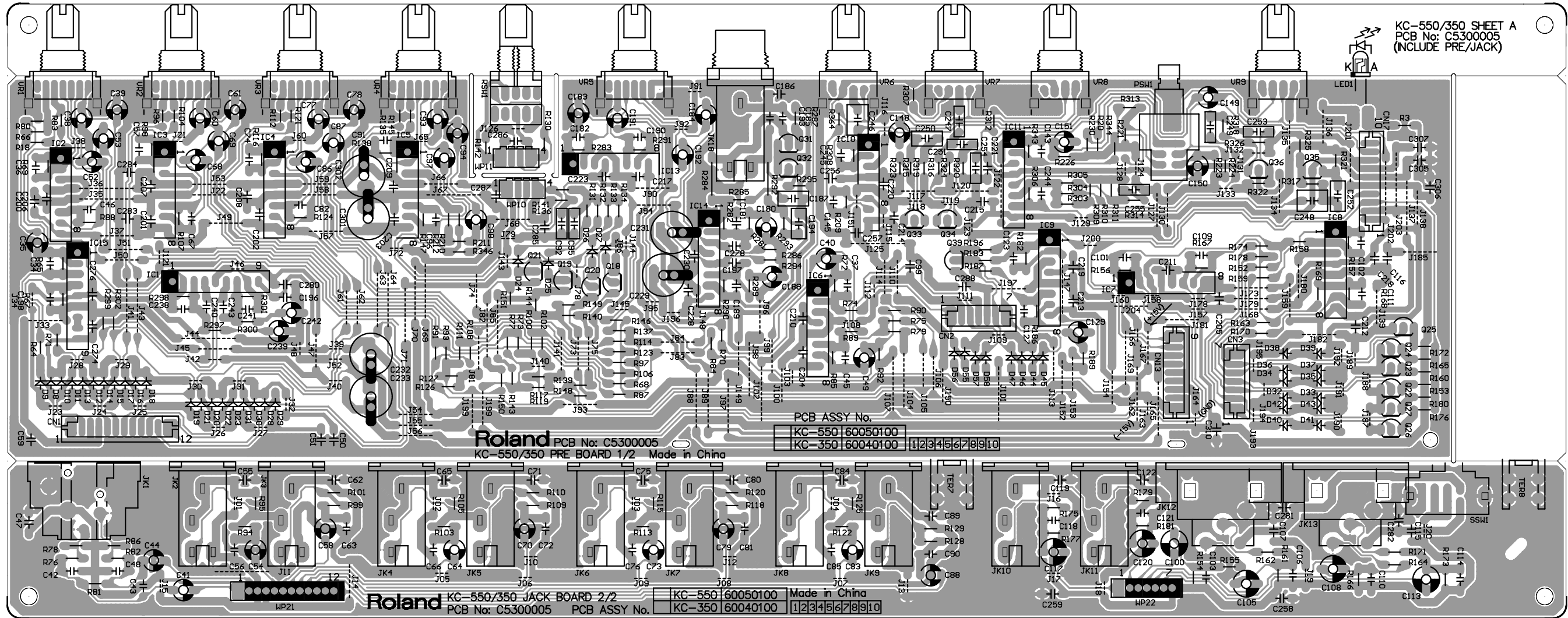
	40010601	SCREW M5X35	ORIGINAL TRUSS MACHINE FE BZC	fix PRE & SUB CHASSIS	12
	40012045	SCREW M5X50	TRUSS BZC	fix SUB CHASSIS	6
	40010145	SCREW M4X25	TRUSS MACHINE BZC	fix WOOFER	8
	40010678	SCREW 4X20	TRUSS TAPPING A1 FE BZC	fix FOOT	4
	40010667	SCREW M4X16	TRUSS TAPPING-A FE BZC	fix GRILL,CABLE TIE, TW	13
	40230789	SCREW 3X10	OVAL MACHINE BZC	fix BATCH ROLAND	2
	40011689	SPEED NUT M3	F-TYPE	fix BATCH ROLAND	2
	40562578	SCREW 3X8	TRUSS TAPTITE B BZC	fix BATCH KC	2
	TE930140	SCREW 3.5X14	TRUSS TAPPING A BZC	fix CORNER	16

SCREWS					
	40238267	SCREW M5X40	OHP MACHINE BZC	fix HANDLE	4
PACKING					
#	SD000697	PACKING CASE			1
#	SD000698	PACKING PAD LOWER			1
#	SD000699	PACKING PAD UPPER			1
MISCELLANEOUS					
#	SD000708	HEATSINK INSULATING		for Q7,17	2
#	SD000701	SPEACER	SCT-12A BLACK	fix PS1 to CHASSIS	3
#	SD000622	TERMINAL	PT1870502	TER1-2 on PS1,TER3-5 on PS	5
#	SD000700	HEATSINK	K-165 118MM BLACK		1
#	SD000632	TERMINAL	JH-8M3	TER7-8 on JCK, TER6,9 on PS1	4
#	SD000690	TRANS SHEET			1
ACCESSORIES (Standard)					
	40232334	WARRANTY CARD	MOCHIKOMI JAPAN ONLY		1
#	SD000215	OWNER'S MANUAL	JAPANESE		1
#	SD000216	OWNER'S MANUAL	ENGLISH		1

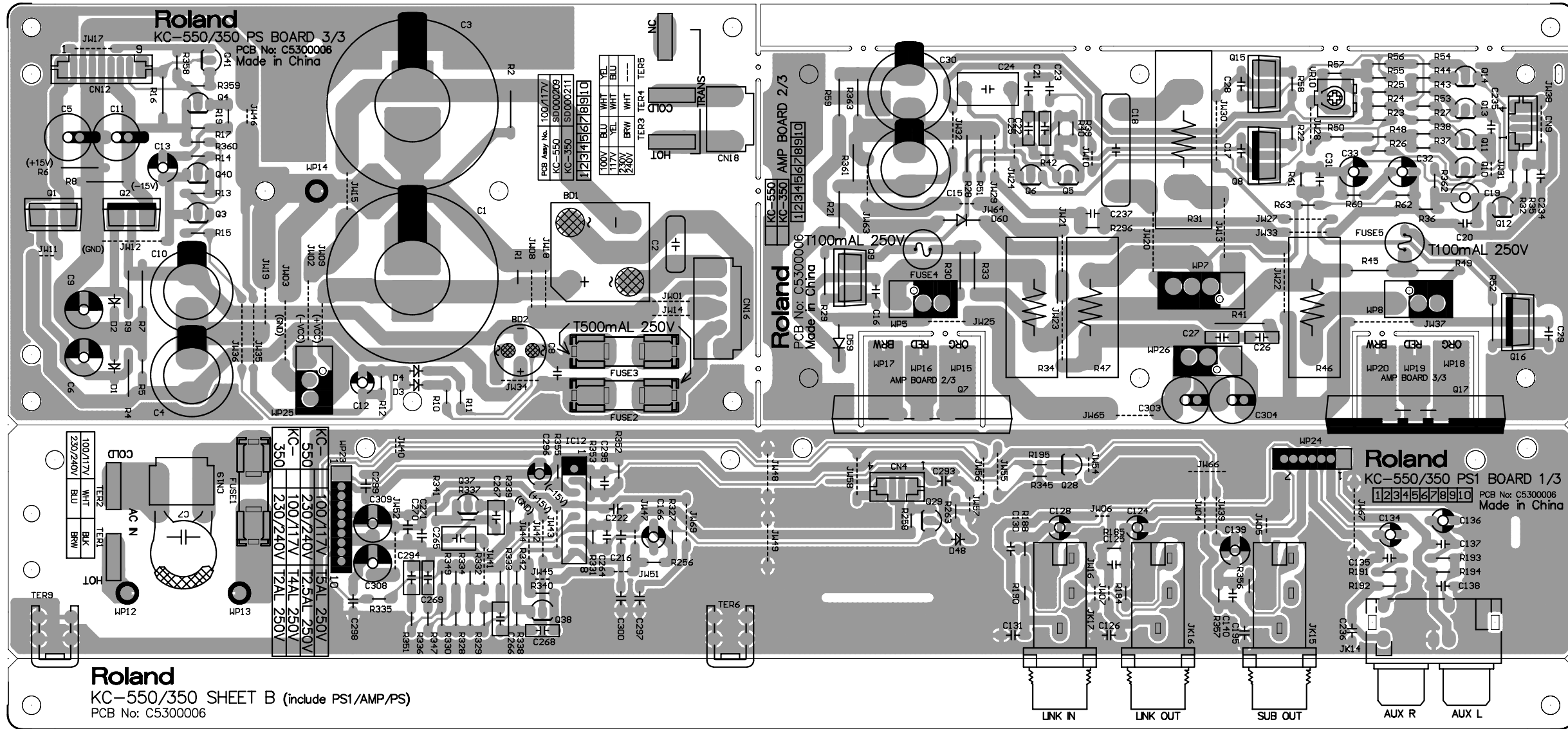
BLOCK DIAGRAM



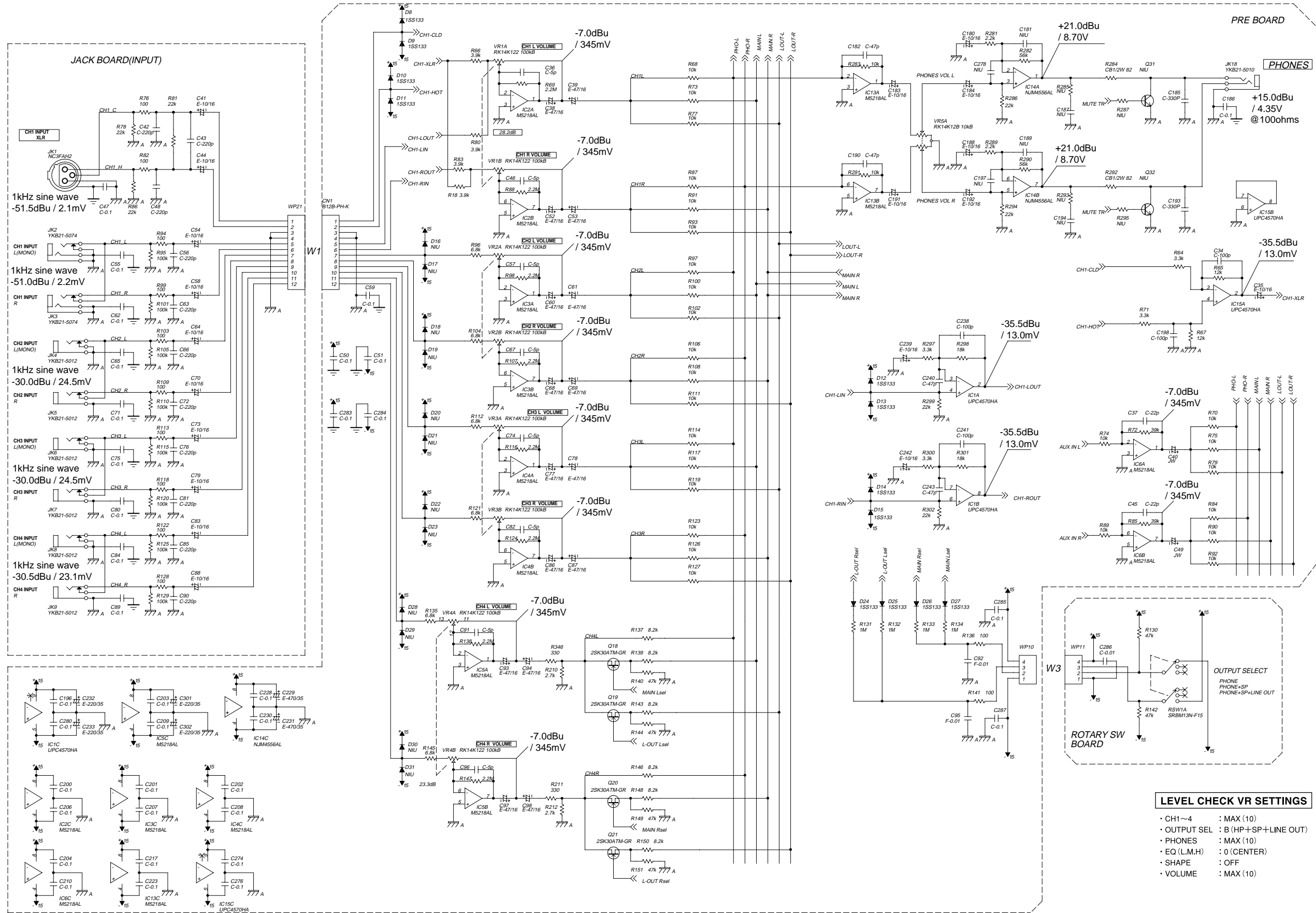
CIRCUIT BOARD (SHEET A BOARD)



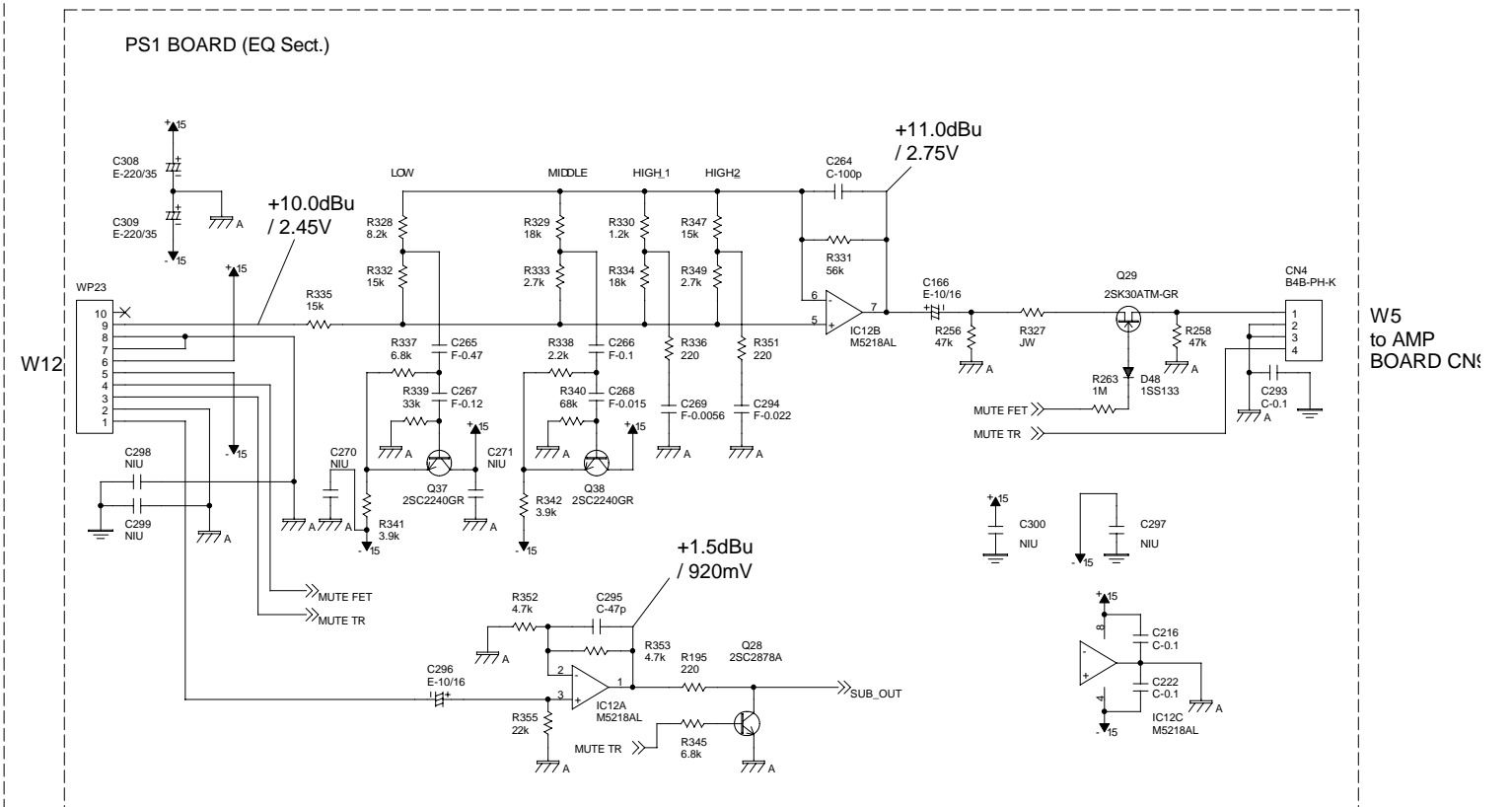
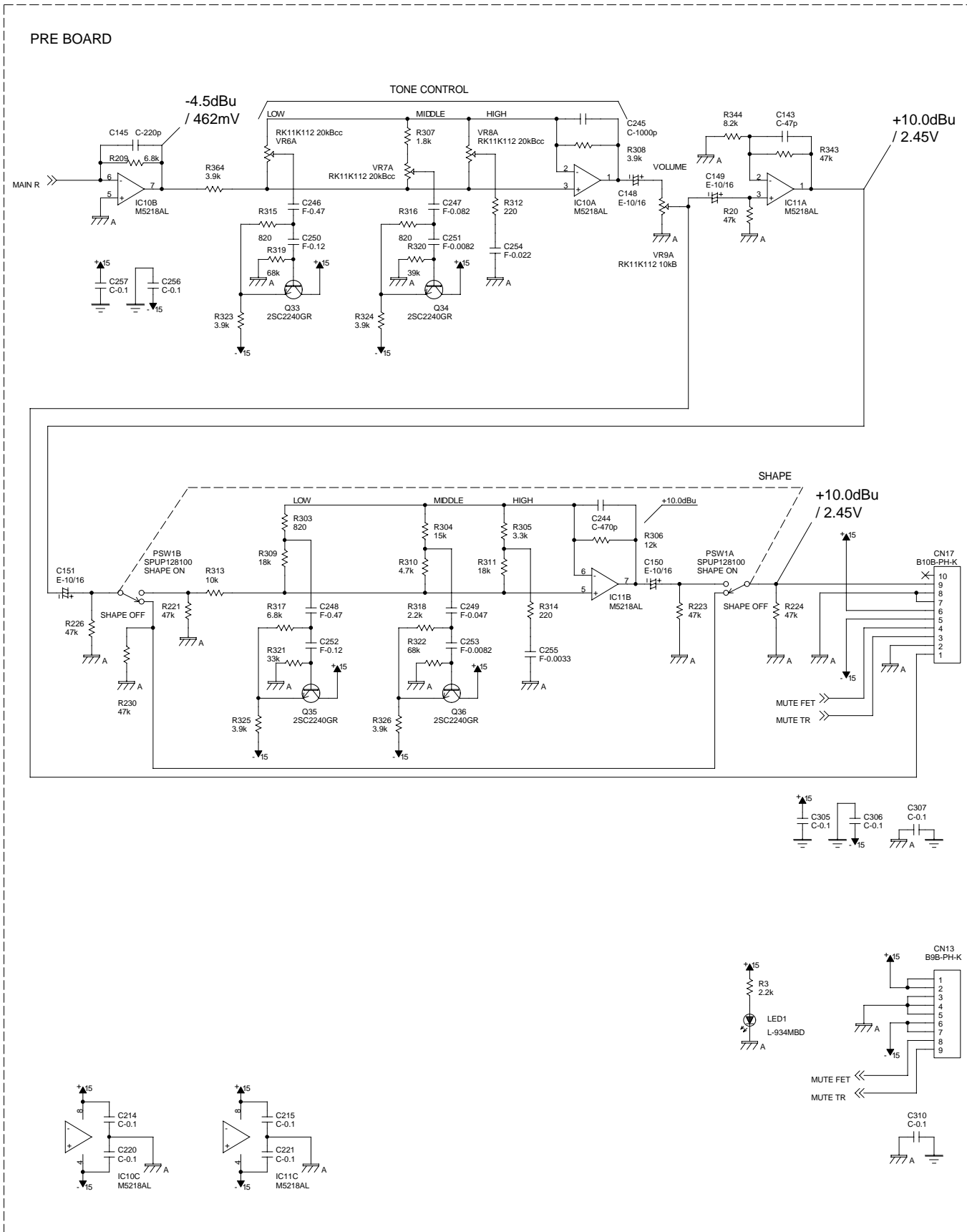
CIRCUIT BOARD (SHEET B BOARD)



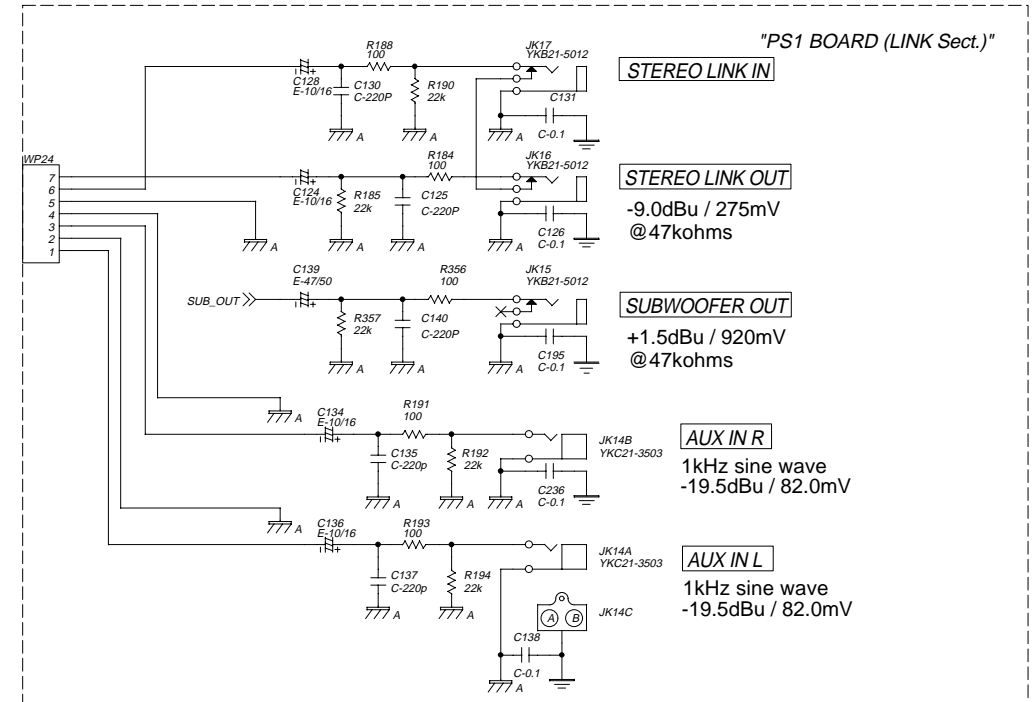
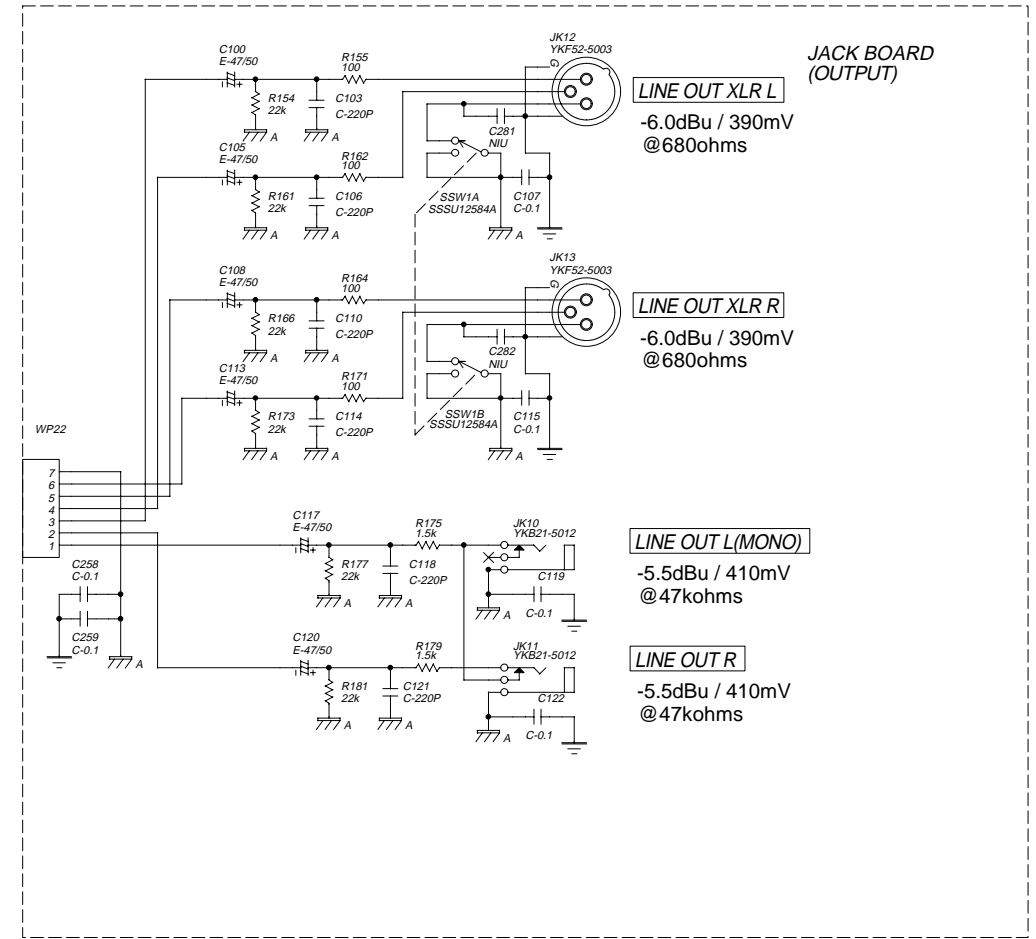
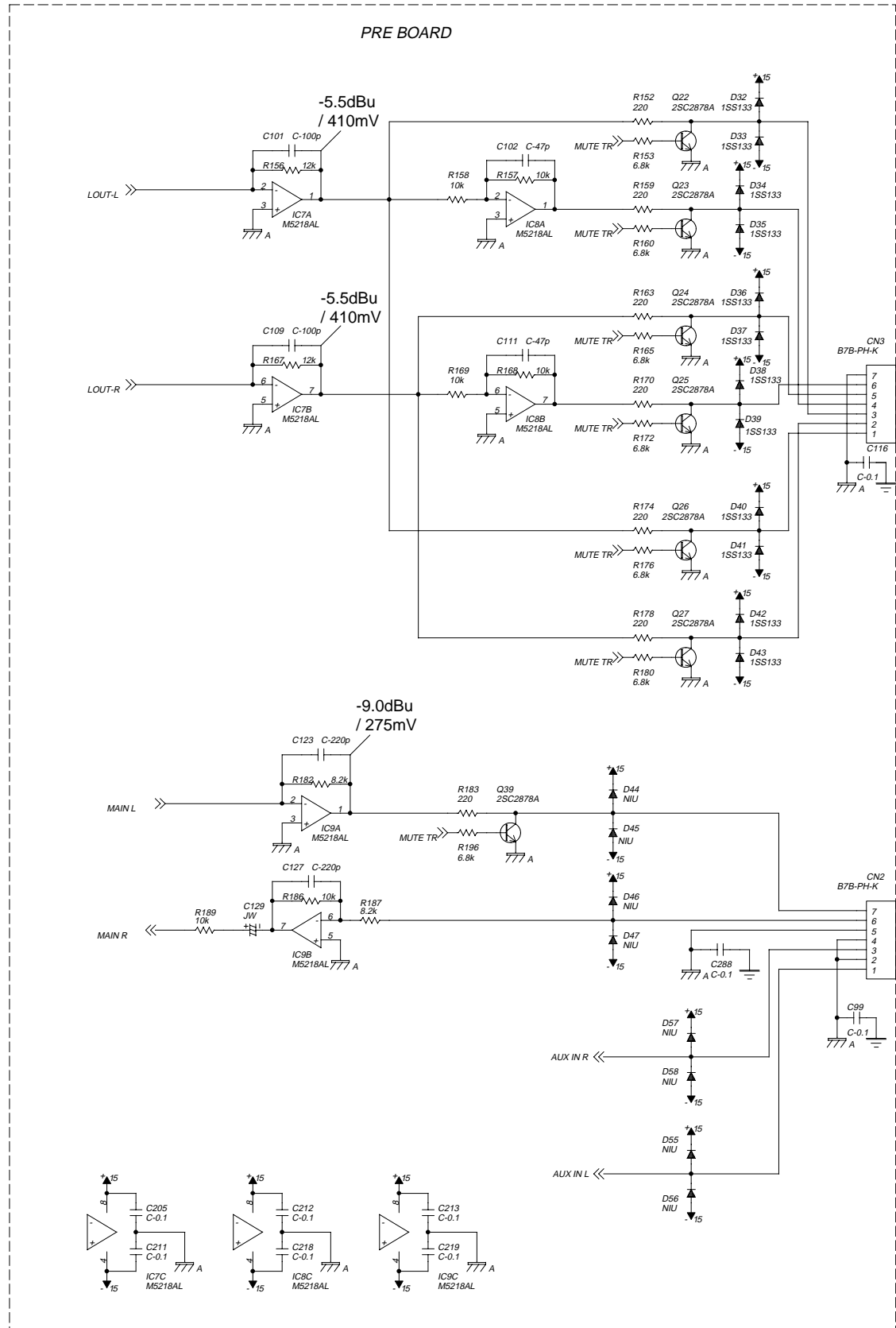
KC-550 CIRCUIT DIAGRAM (1/4)



KC-550 CIRCUIT DIAGRAM (2/4)



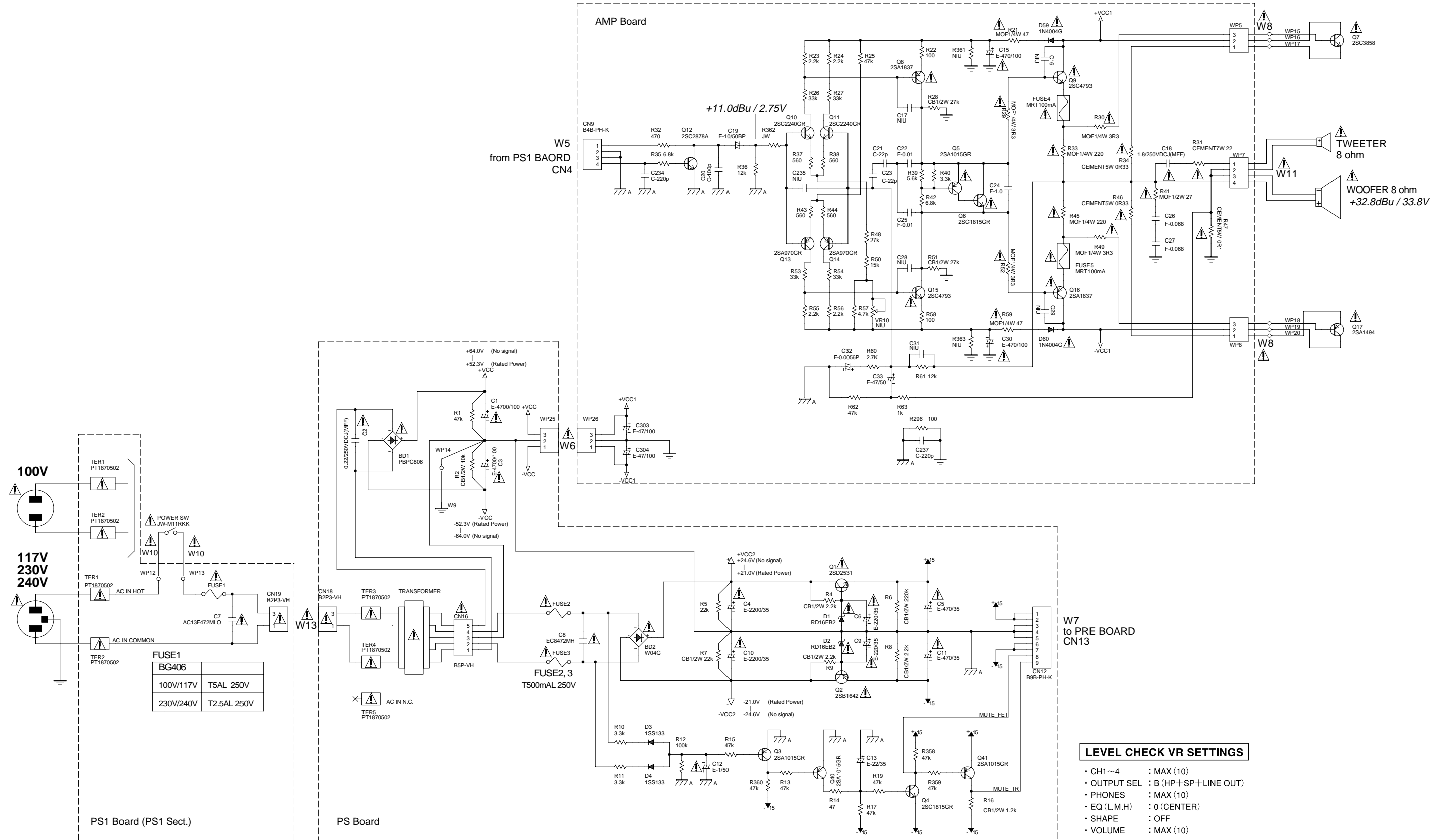
KC-550 CIRCUIT DIAGRAM (3/4)



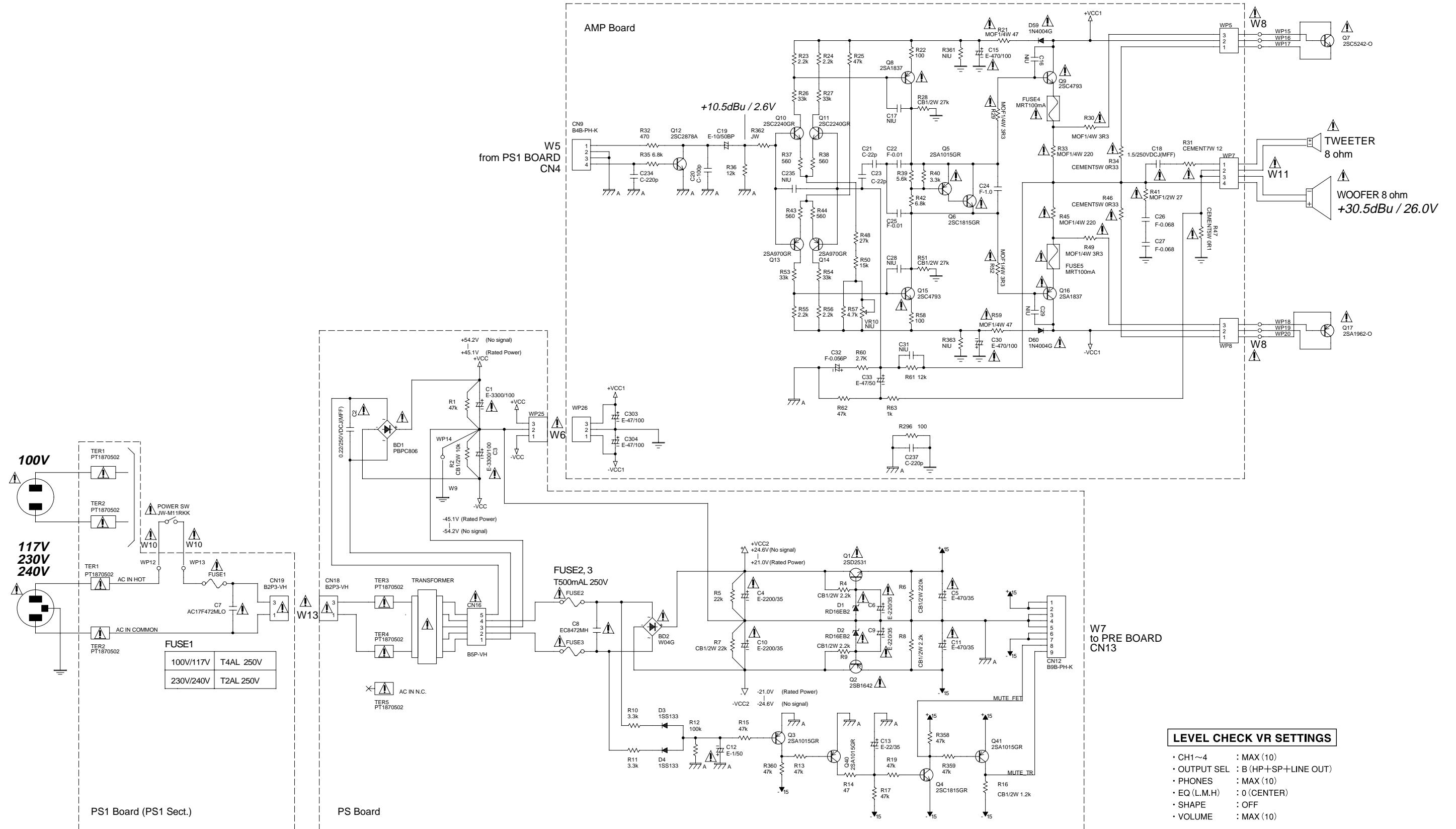
LEVEL CHECK VR SETTINGS

- CH1~4 : MAX (10)
- OUTPUT SEL : B (HP+SP+LINE OUT)
- PHONES : MAX (10)
- EQ (L.M.H) : 0 (CENTER)
- SHAPE : OFF
- VOLUME : MAX (10)

KC-550 CIRCUIT DIAGRAM (4/4)



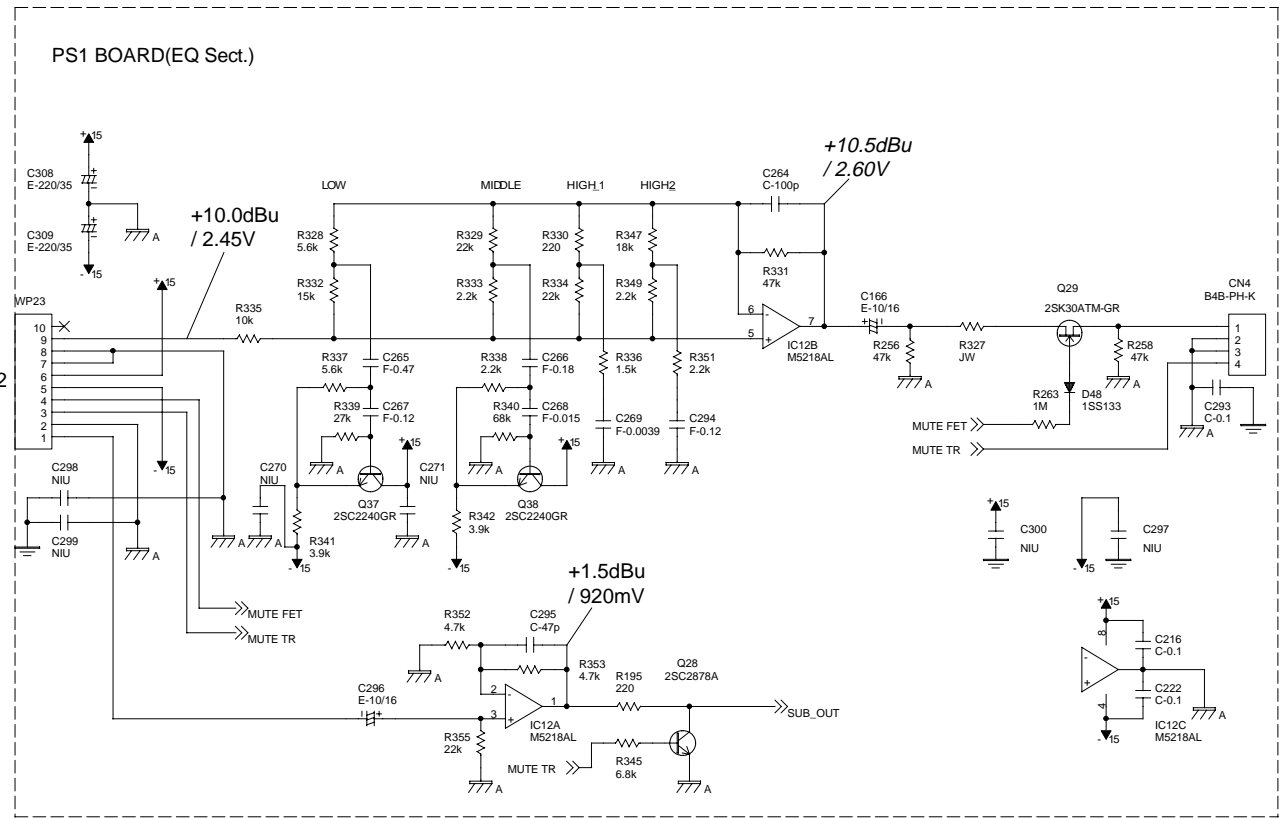
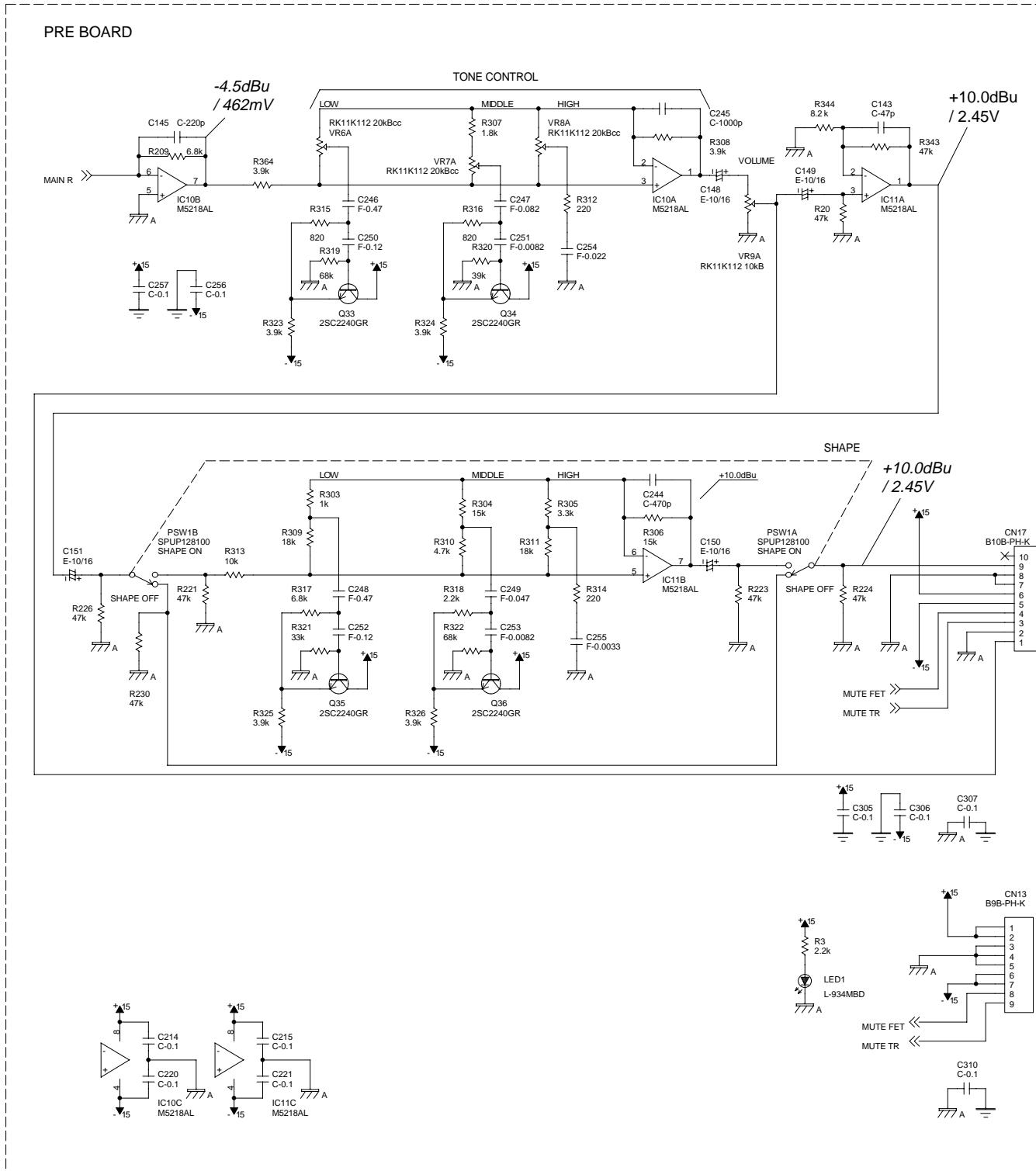
KC-350 CIRCUIT DIAGRAM (1/4)



LEVEL CHECK VR SETTINGS

- CH1~4 : MAX (10)
- OUTPUT SEL : B (HP+SP+LINE OUT)
- PHONES : MAX (10)
- EQ (L.M.H) : 0 (CENTER)
- SHAPE : OFF
- VOLUME : MAX (10)

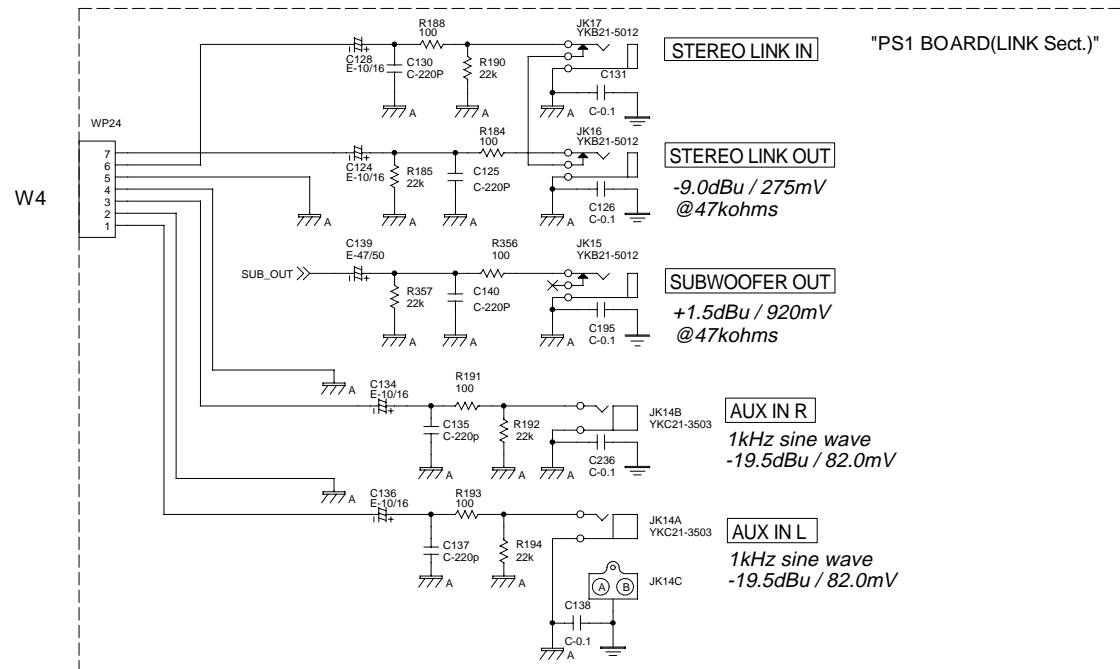
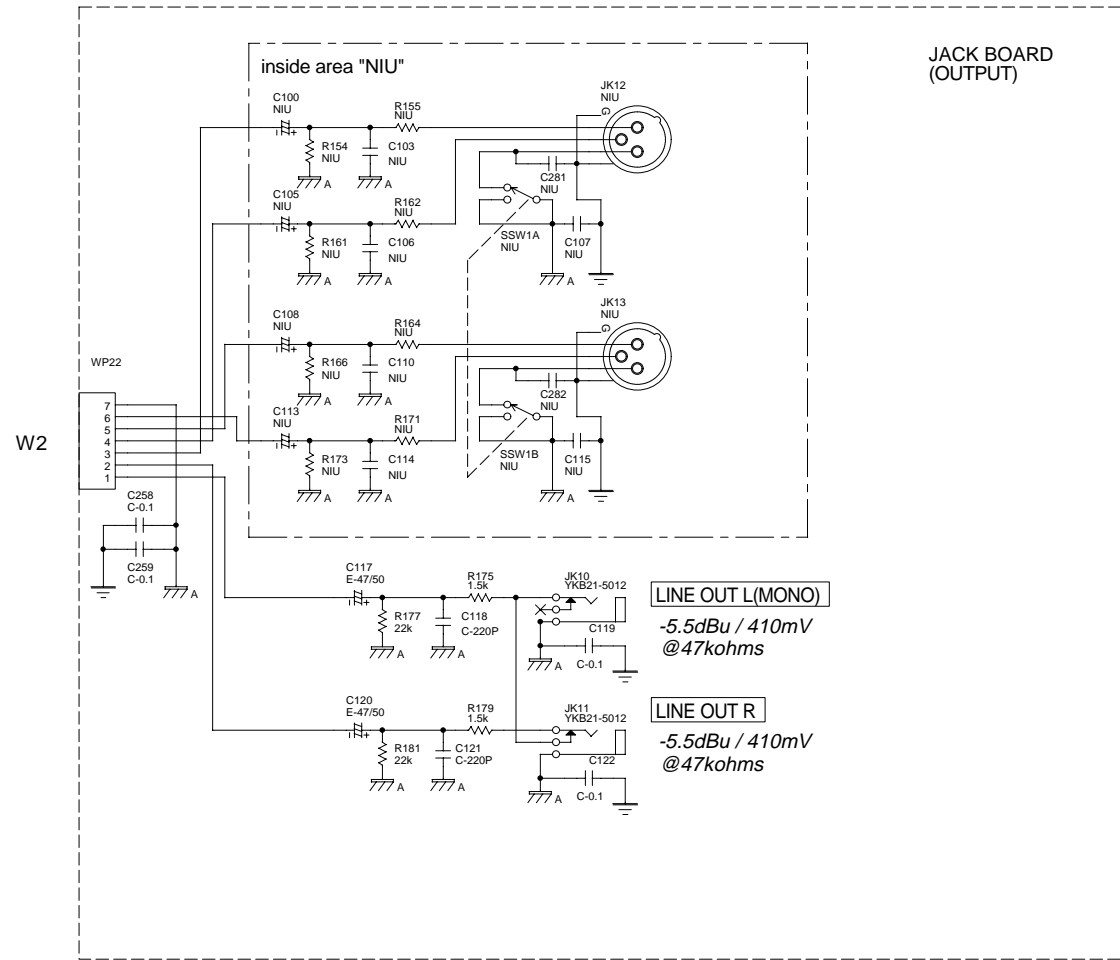
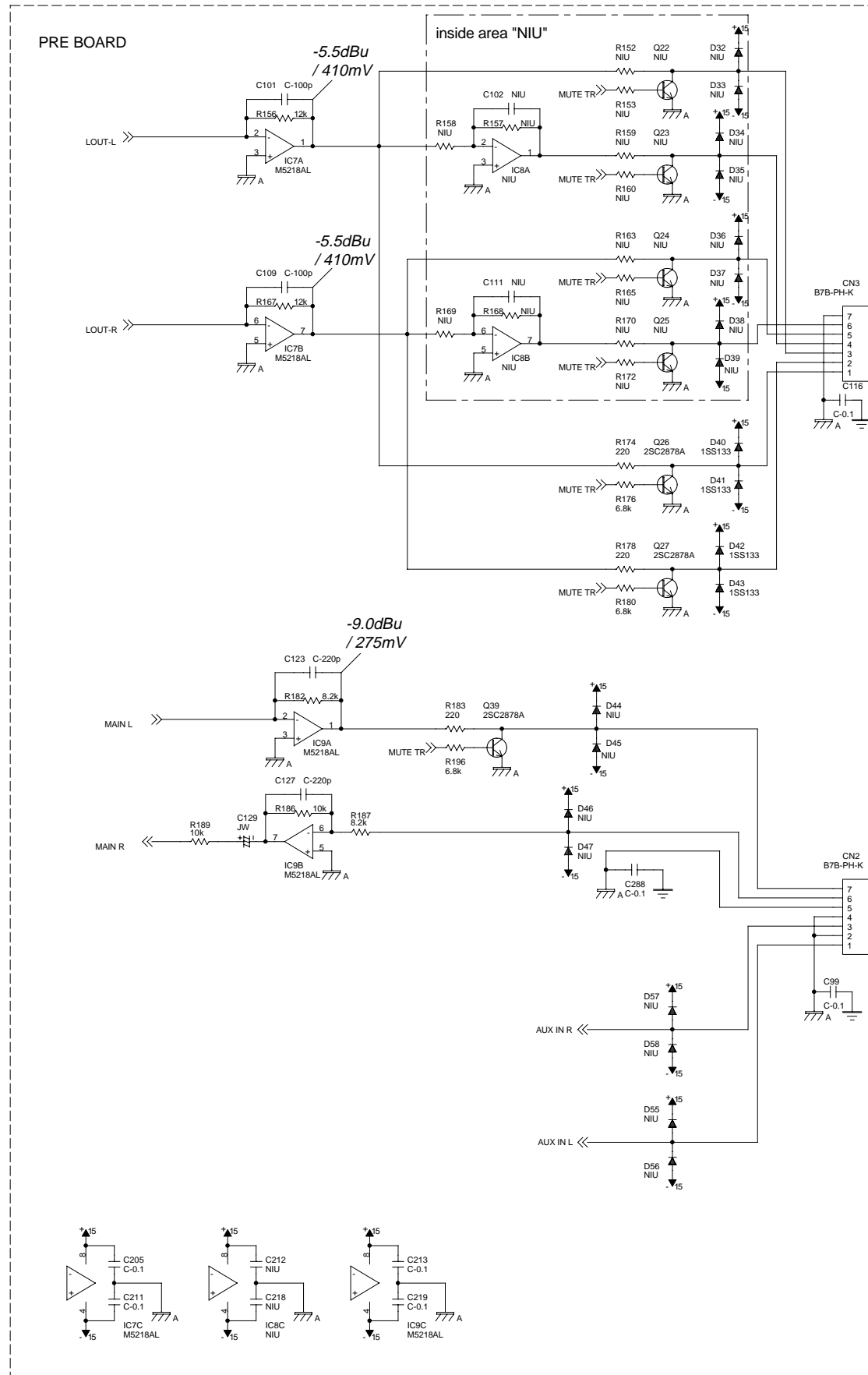
KC-350 CIRCUIT DIAGRAM (2/4)



LEVEL CHECK VR SETTINGS

- CH1~4 : MAX (10)
- OUTPUT SEL : B (HP+SP+LINE OUT)
- PHONES : MAX (10)
- EQ (L,M,H) : 0 (CENTER)
- SHAPE : OFF
- VOLUME : MAX (10)

KC-350 CIRCUIT DIAGRAM (3/4)



LEVEL CHECK VR SETTINGS

- CH1~4 : MAX (10)
- OUTPUT SEL : B (HP+SP+LINE OUT)
- PHONES : MAX (10)
- EQ (L.M.H) : 0 (CENTER)
- SHAPE : OFF
- VOLUME : MAX (10)

KC-350 CIRCUIT DIAGRAM (4/4)

