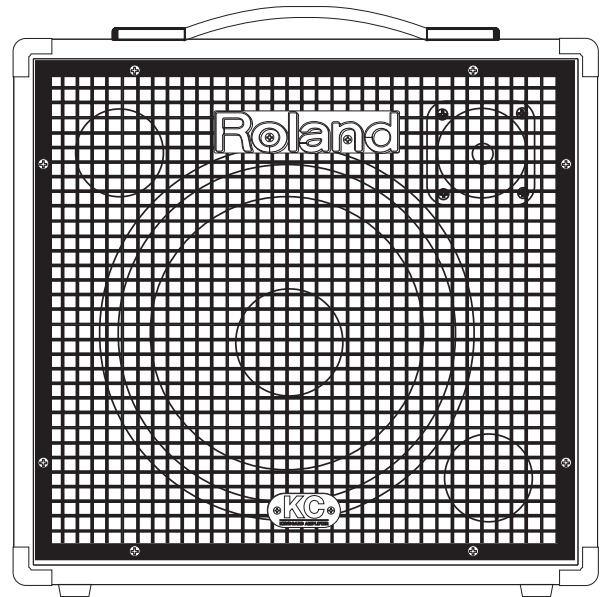
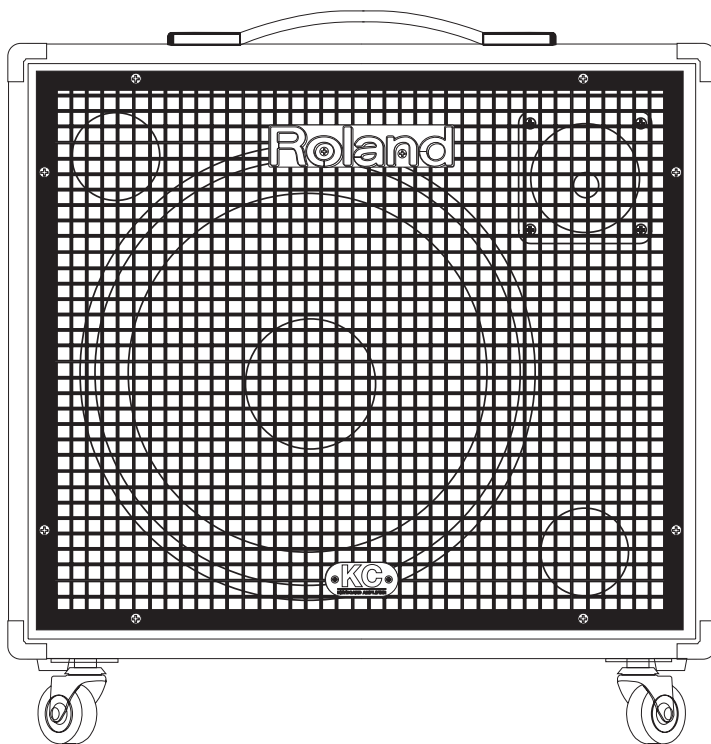


# KC-550UC/KC-350UC

# SERVICE NOTES

*Issued by RJA*

SPECIFICATIONS.....	2	KC-550 CIRCUIT DIAGRAM (1/4).....	24
LOCATION OF CONTROLS .....	3	KC-550 CIRCUIT DIAGRAM (2/4).....	26
LOCATION OF CONTROLS PARTS LIST .....	3	KC-550 CIRCUIT DIAGRAM (3/4).....	28
EXPLODED VIEW (CABINET) .....	4	KC-550 CIRCUIT DIAGRAM (4/4).....	30
EXPLODED VIEW PARTS LIST (CABINET) .....	6	KC-350 CIRCUIT DIAGRAM (1/4).....	32
EXPLODED VIEW (PRE CHASSIS) .....	8	KC-350 CIRCUIT DIAGRAM (2/4).....	34
EXPLODED VIEW PARTS LIST (PRE CHASSIS) .....	9	KC-350 CIRCUIT DIAGRAM (3/4).....	36
EXPLODED VIEW (SUB CHASSIS) .....	10	KC-350 CIRCUIT DIAGRAM (4/4).....	38
EXPLODED VIEW PARTS LIST (SUB CHASSIS) .....	11		
PARTS LIST(KC-550UC) .....	12		
PARTS LIST(KC-350UC) .....	16		
KC-550/KC-350 BLOCK DIAGRAM .....	20		
KC-550/KC-350 CIRCUIT BOARD (SHEET A BOARD) .....	22		



**Copyright © 2003 ROLAND CORPORATION**

All rights reserved. No part of this publication may be reproduced in any form without the written permission of ROLAND CORPORATION.

# SPECIFICATIONS

## Rated Power Output

[KC-550] 180 W

[KC-350] 120 W

## Nominal Input Level (1 kHz)

Channel1 (MIC/LINE) : -50 -- -20 dBu

Channel2-4 (LINE) : -20 dBu

STEREO LINK INPUT : 0 dBu

AUX IN : -10 dBu

## Nominal Output Level (1 kHz)

LINE OUT(XLR type, Phone type) : +4 dBu

STEREO LINK OUTPUT : 0 dBu

SUBWOOFER OUT : +4 dBu

\* *LINE OUT Jacks (XLR type) are KC-550 only.*

\* *0 dBu = 0.775 Vrms*

## Speakers

[KC-550] 38 cm (15 inches) x 1, Tweeter x 1

[KC-350] 30 cm (12 inches) x 1, Tweeter x 1

## Controls

CHANNEL CONTROL

CH1

VOLUME Knob

CH2

VOLUME Knob

CH3

VOLUME Knob

CH4

VOLUME Knob

OUTPUT SELECT Switch

PHONES VOLUME Knob

MASTER CONTROL

EQUALIZER

LOW Knob

MIDDLE Knob

HIGH Knob

SHAPE Switch

VOLUME Knob

POWER Switch

GND LIFT Switch (KC-550 only)

## Indicator

POWER

## Connectors

CH1 INPUT Jack (XLR type)

CH1-4 INPUT L(MONO) Jacks (1/4" phone type)

CH1-4 INPUT R Jacks (1/4" phone type)

LINE OUT L(MONO) Jacks (XLR type, 1/4" phone type)

LINE OUT R Jacks (XLR type, 1/4" phone type)

AUX IN Jacks (RCA phono type)

SUBWOOFER OUT Jack (1/4" phone type)

STEREO LINK OUT Jack (1/4" phone type)

STEREO LINK IN Jack (1/4" phone type)

PHONES Jack (Stereo 1/4" phone type)

\* *LINE OUT Jacks (XLR type) are KC-550 only.*

## Power Supply

AC 117 V, AC 230 V, AC 240 V:50/60Hz

AC 220V:60Hz

## Power Consumption

[KC-550] 135 W

[KC-350] 100 W

## Dimensions

[KC-550]

590 (W) x 445 (D) x 590 (H) mm

23-1/4 (W) x 17-9/16 (D) x 23-1/4 (H) inches (including casters)

590 (W) x 445 (D) x 536 (H) mm

23-1/4 (W) x 17-9/16 (D) x 21-1/8 (H) inches (excluding casters)

[KC-350]

490 (W) x 385 (D) x 470 (H) mm

19-5/16 (W) x 15-3/16 (D) x 18-9/16 (H) inches

## Weight

[KC-550]

29.0 kg

63 lbs 15 oz

[KC-350]

22.0 kg

48 lbs 9 oz

## Accessories

[KC-550]

Owner's Manual ENGLISH (#MANUA00093)

JAPANESE (#03238745)

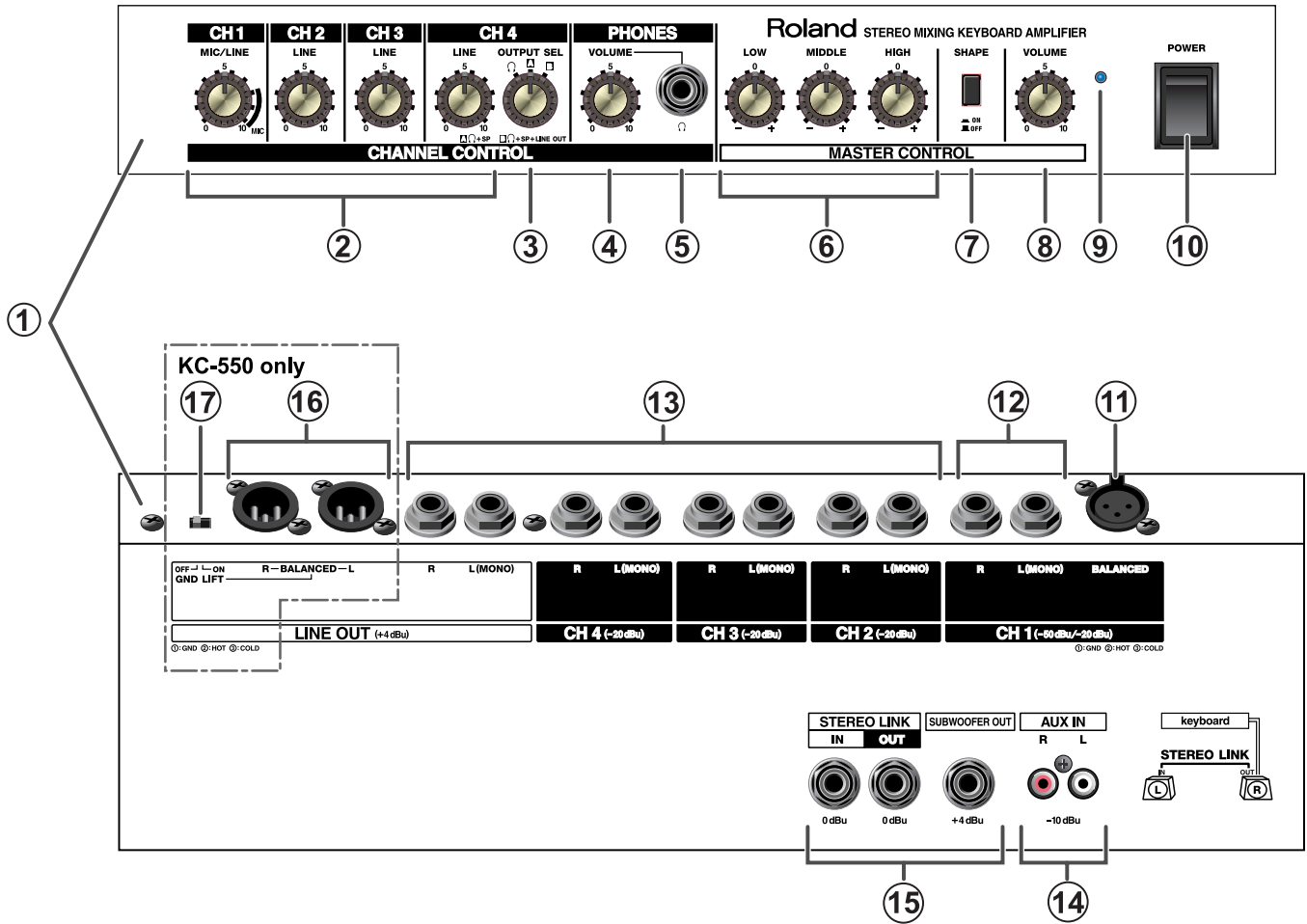
Casters (x 4): (#HARDW00001)

[KC-350]

Owner's Manual ENGLISH (#MANUA00093)

JAPANESE (#03238745)

# LOCATION OF CONTROLS

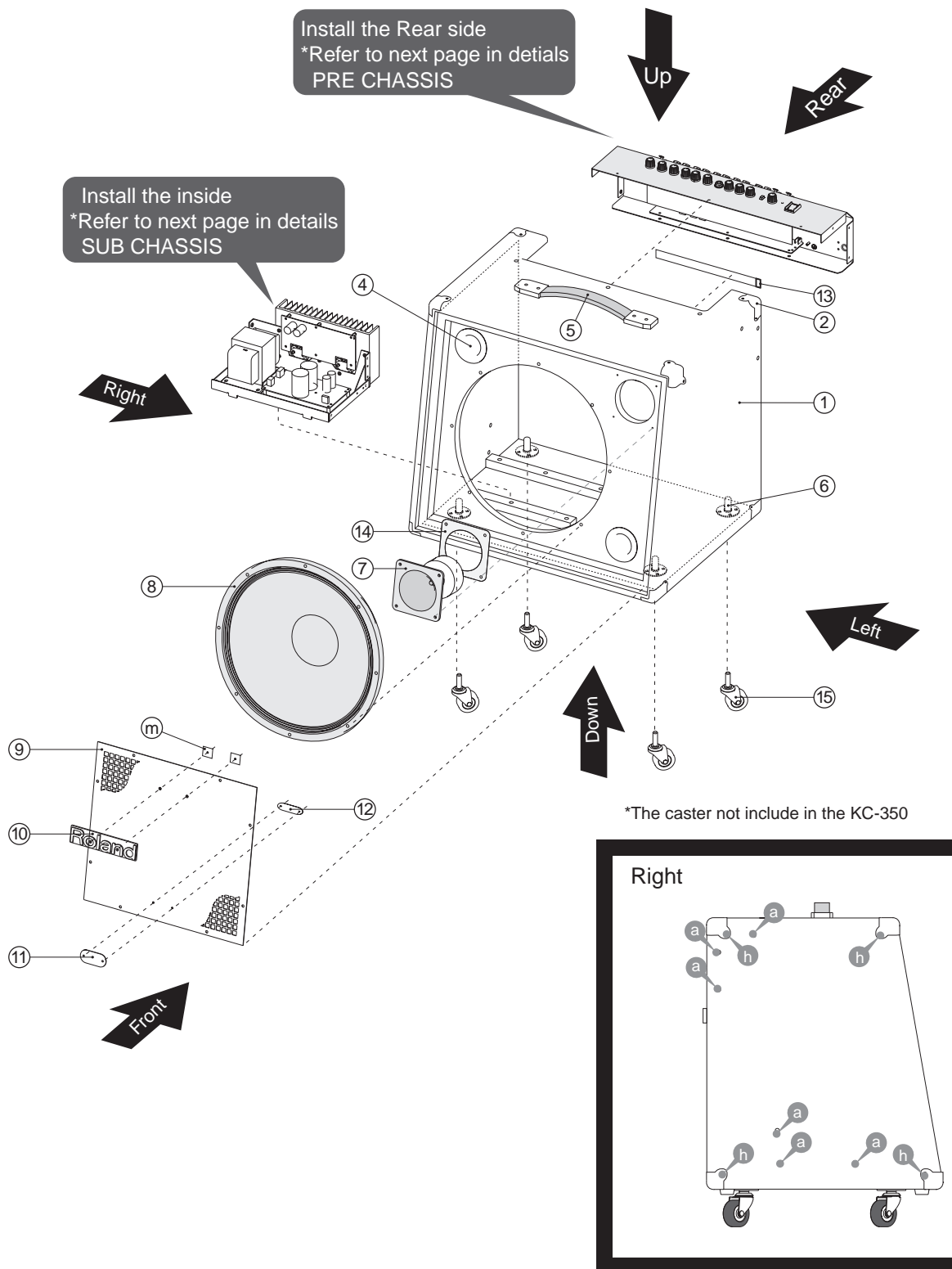


# LOCATION OF CONTROLS PARTS LIST

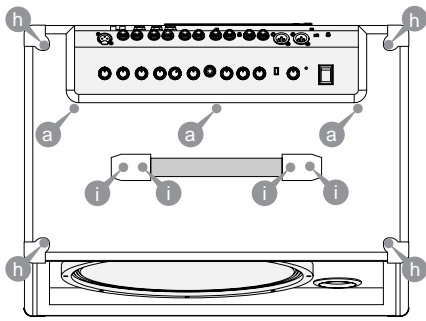
[KC-550/KC-350]

No.	PART CODE	PART NAME	DESCRIPTION	Q'TY
1	C6300037	PRE CHASSIS		1(KC-550)
	C6300036	PRE CHASSIS		1(KC-350)
2	01120167	POTENTIOMETER	RK14K122 100KBX2	4
	22470119	KNOB	247-119 GOLD	4
3	13119218	ROTARY SWITCH	SRBM13N-F15	1
	22470119	KNOB	247-119 GOLD	1
4	01120156	POTENTIOMETER	RK14K12B 10KBX2	1
	22470119	KNOB	247-119 GOLD	1
5	13449145	6.5MM JACK	YKB21-5010	1
	2215775600	JACK NUT	215-756	1
6	01120134	POTENTIOMETER	RK11K112 20KB CC	3
	22470119	KNOB	247-119 GOLD	3
7	01782623	SWITCH	SPUP128100	1
	2249752100	PUSH BUTTON	BLACK #521	1
8	01120145	POTENTIOMETER	RK11K112 10KB	1
	22470119	KNOB	247-119 GOLD	1
9	F5029133	LED	L-934MBD	1
10	01786012	SEESAW SWITCH	JW-M11RKK	1
	01786045	SW HOLDER	AT-217K	1
11	01902645	XLR CONNECTOR	NC3FAH2 W/LOCK PIN	1
12	13449275	JACK	YKB21-5074	2
	2215775600	JACK NUT	215-756	2
13	13449146	6.5MM JACK	YKB21-5012 (W/SW)	8
	2215775600	JACK NUT	215-756	8
14	03234590	JACK	YKC21-3503	1
15	13449146	6.5MM JACK	YKB21-5012 (W/SW)	3
	2215775600	JACK NUT	215-756	3
16	00122123	XLR CONNECTER	YKF52-5003	2 (KC-550 only)
17	13159178	SLIDE SWITCH	SSSU12584A	1 (KC-550 only)

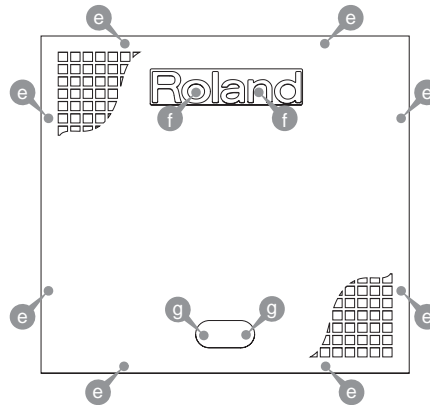
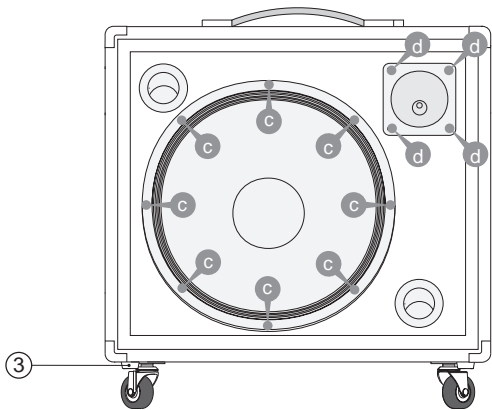
# EXPLODED VIEW (CABINET)



Up

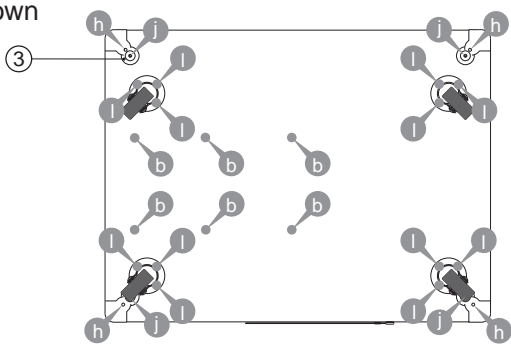


Front

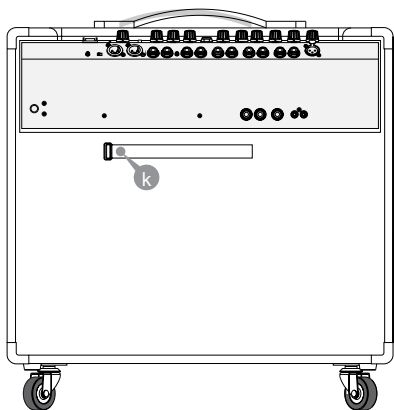


\*The caster not include in the KC-350

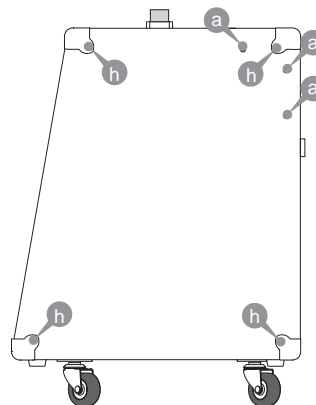
down



Rear



Left



**EXPLODED VIEW PARTS LIST (CABINET)****[KC-550 PARTS]**

No.	PART CODE	PART NAME	DESCRIPTION	Q'TY
1	CABIN00033	CABINET ASSY		1
		NOTE: 'CABINET ASSY' includes the following parts (2--6).		
2	HARDW00018	2-LEG METAL CORNER BLACK		8
3	HARDW00013	SMALL BLACK RUBBER FOOT		4
4	HARDW00083	PORT TUBE M1701	2'X4.5 BLACK PLASTIC	2
5	HARDW00003	AMPLIFIER HANDLE #H-40	W/ESCUCHEON	1
6	HARDW00002	CASTER SOCKET		4
7	SPEAK00012	TWEETER (HORN)	#H025N27	1
8	SPEAK00013	WOOFER (15INCH)	#K1508P07	1
9	GRILL00003	PUNCHING METAL		1
10	HARDW00007	LOGO BADGE	(ROLAND)	1
11	HARDW00084	LOGO PLATE KC GOLD		1
12	HARDW00085	KC LOGO HOLDER		1
13	MISCE00037	VELCRO AC CABLE TIE5-1/4'X3/4'	W/PLASTIC LOOP	1
14	MISCE00002	TWEETER GASKET		1
15	HARDW00001	CASTER (W/O SOCKET)		4

**[KC-350 PARTS]**

No.	PART CODE	PART NAME	DESCRIPTION	Q'TY
1	CABIN00032	CABINET ASSY		1
		NOTE: 'CABINET ASSY' includes the following parts (2--5).		
2	HARDW00018	2-LEG METAL CORNER BLACK		8
3	HARDW00013	SMALL BLACK RUBBER FOOT		4
4	HARDW00083	PORT TUBE M1701	2'X4.5 BLACK PLASTIC	2
5	HARDW00003	AMPLIFIER HANDLE #H-30	W/ESCUCHEON	1
7	SPEAK00010	TWEETER (HORN)	#KHN08B11	1
8	SPEAK00011	WOOFER (12INCH)	#K1208J10	1
9	GRILL00002	PUNCHING GRILL		1
10	HARDW00007	LOGO BADGE	(ROLAND)	1
11	HARDW00084	LOGO PLATE KC GOLD		1
12	HARDW00085	KC LOGO HOLDER		1
13	MISCE00037	VELCRO AC CABLE TIE5-1/4'X3/4'	W/PLASTIC LOOP	1
14	MISCE00001	TWEETER GASKET		1

**[KC-550/KC-350 SCREWS]**

No.	PART CODE	PART NAME	DESCRIPTION	Q'TY
a	40010601	SCREW M5X35	ORIGINAL TRUSS MACHINE FE BZC	12
b	40012045	SCREW M5X50	TRUSS MACHINE BZC	6
c	SCREW00053	SCREW #10-32X1	PAN PHIL MCHN BO	8
d	SCREW00007	SCREW #8X3/4	TRUSS PHIL TAP AB BO	4
e	SCREW00012	SCREW #8X1/2	TRUSS PHIL TAP AB BO	8
f	SCREW00064	SCREW #4X1/2	FLAT PHIL TAP AB BO	2
g	SCREW00075	SCREW #4X1/4	PAN PHILL TAP AB BLK OX	2
h	SCREW00012	SCREW #8X1/2	TRUSS PHIL TAP AB BO	16
i	SCREW00059	SCREW #10-32X1-1/8	OVAL PHIL MCHN BO	4
j	SCREW00007	SCREW #8X3/4	TRUSS PHIL TAP AB BO	4
k	SCREW00012	SCREW #8X1/2	TRUSS PHIL TAP AB BO	1
l	SCREW00007	SCREW #8X3/4	TRUSS PHIL TAP AB BO	16 (KC-550 only)
m	SCREW00020	TINNERMAN FAST NUT		2







## EXPLODED VIEW PARTS LIST (PRE CHASSIS)

### [KC-550 PARTS]

No.	PART CODE	PART NAME	DESCRIPTION	Q'TY
1	C6300037	PRE CHASSIS		1
2	60050100	SHEET A BOARD ASSY (PRE BOARD 1/2)		1
3	60050100	SHEET A BOARD ASSY (JACK BOARD 2/2)		1
4	60051110	SHEET B BOARD ASSY (PS1 BOARD 1/3)		1
6	G349714801	AC CORD ASSY 117V	10A SL-2 BLACK SJT	1
	G349714902	AC CORD ASSY 230V	10A SL-6 BLACK VDE	1
	G349715702	AC CORD ASSY 230VE	13A SL-60 BLACK	1
	G349715002	AC CORD ASSY 240V	10A SL-16 BLACK	1
7	01786012	SEESAW SWITCH	JW-M11RKK	1
8	01786045	SW HOLDER	AT-217K	1
9	G2199507	SPEACER	SCT-12A BLACK	3
10	12369410RT	AC CORD HOLDER	1702B	2
11	2249752100	PUSH BUTTON	BLACK #521	1
12	22470119	KNOB	247-119 GOLD	10

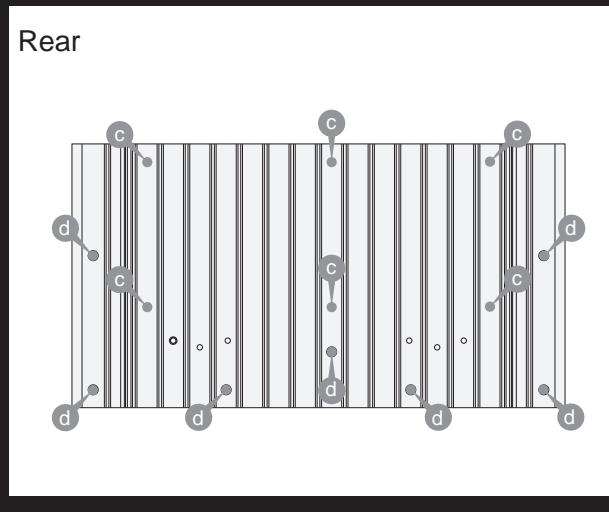
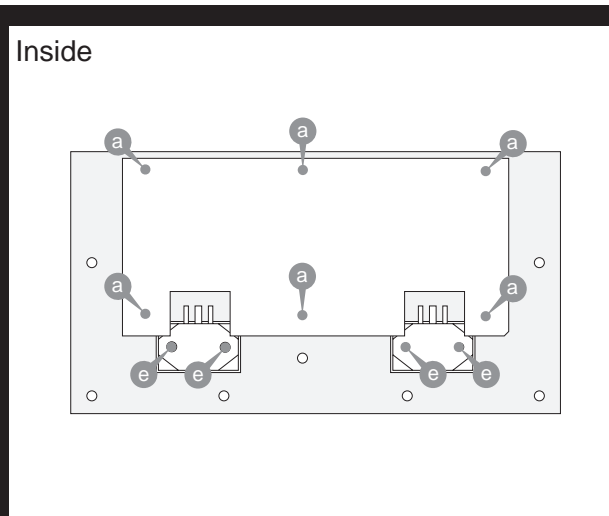
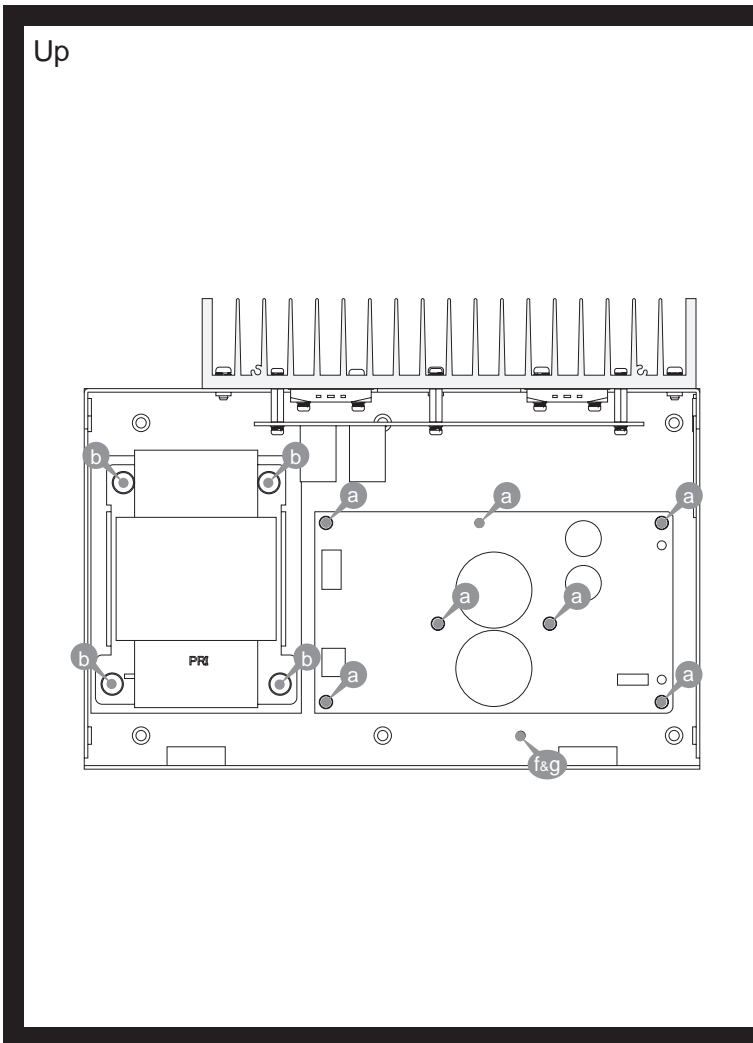
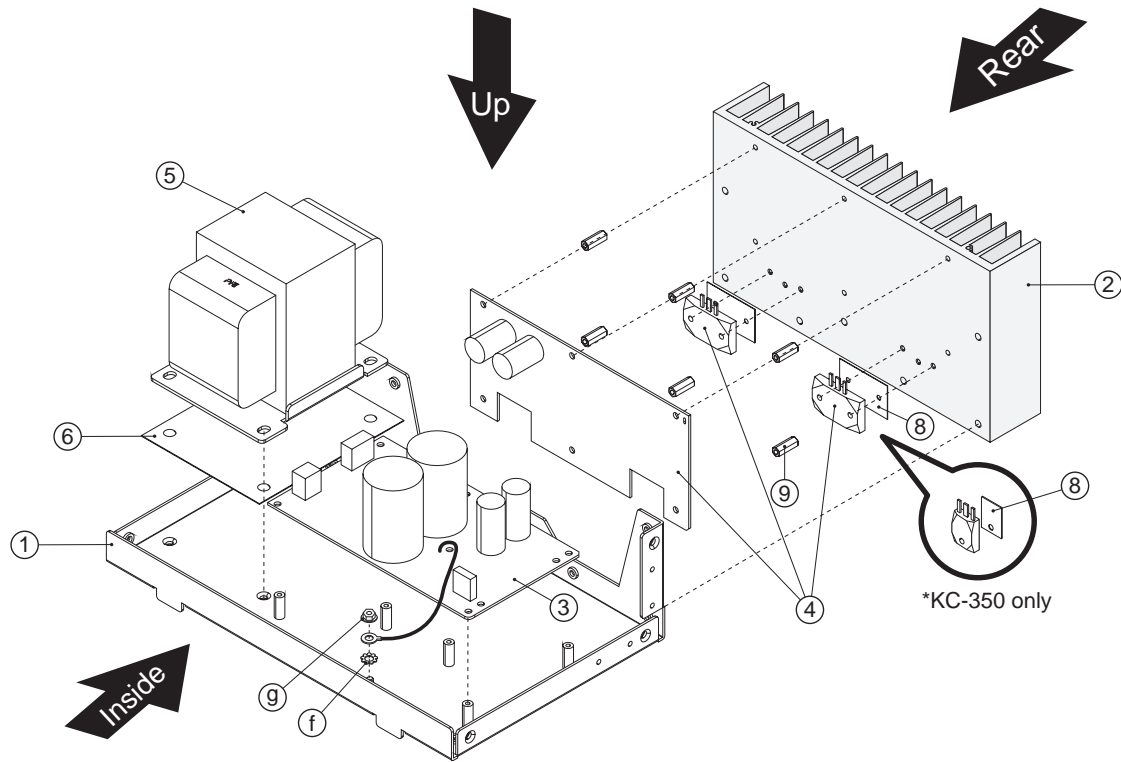
### [KC-350 PARTS]

No.	PART CODE	PART NAME	DESCRIPTION	Q'TY
1	C6300036	PRE CHASSIS		1
2	60040100	SHEET A BOARD ASSY (PRE BOARD 1/2)		1
3	60040100	SHEET A BOARD ASSY (JACK BOARD 2/2)		1
4	60041110	SHEET B BOARD ASSY (PS1 BOARD 1/3)	100/117V	1
6	G349714801	AC CORD ASSY 117V	10A SL-2 BLACK SJT	1
	G349714902	AC CORD ASSY 230V	10A SL-6 BLACK VDE	1
	G349715702	AC CORD ASSY 230VE	13A SL-60 BLACK	1
	G349715002	AC CORD ASSY 240V	10A SL-16 BLACK	1
7	01786012	SEESAW SWITCH	JW-M11RKK	1
8	01786045	SW HOLDER	AT-217K	1
9	G2199507	SPEACER	SCT-12A BLACK	3
10	12369410RT	AC CORD HOLDER	1702B	2
11	2249752100	PUSH BUTTON	BLACK #521	1
12	22470119	KNOB	247-119 GOLD	10

### [KC-550/KC-350 SCREWS]

No.	PART CODE	PART NAME	DESCRIPTION	Q'TY
a	40233012	SCREW M2.6X8	BINDING TAPTITE P BZC	2
b	40012956	SCREW M3X8	PAN MACHINE W/SW+PW FE BZC	4
c	40011312	SCREW 3X8	BINDING TAPTITE P BZC	5 (KC-550)
	40011312	SCREW 3X8	BINDING TAPTITE P BZC	1 (KC-350)
d	40012989	SCREW M3X20	PAN MACHINE W/SW+PW FE BZC	2
e	17048630	VR ACCESSORY NUT M9		9
f	17048631	VR ACCESSORY WASHER M9		9
g	40011756	FLANGE HEX NUT M3	ZC	2
h	40011889	EXTERNAL TOOTH WASHER M4	FECM	2
i	40011767	FLANGE HEX NUT M4	FE ZC	2
j	22157756	JACK NUT 2	PLASTIC/BLK	14
k	40128923	VR ACCESSORY NUT M7		1
l	17048651	VR ACCESSORY WASHER M7		1

# EXPLODED VIEW (SUB CHASSIS)



## EXPLODED VIEW PARTS LIST (SUB CHASSIS)

### [KC-550 PARTS]

No.	PART CODE	PART NAME	DESCRIPTION	Q'TY
1	C6300038	KC-550/350 SUB CHASSIS		1
2	G2467426	HEATSINK	K-165 118MM BLACK	1
3	60051110	KC-550 SHEET B BOARD ASSY (PS BOARD 3/3)		1
4	60051110	KC-550 SHEET B BOARD ASSY (AMP BOARD 2/3)		1
5	C5800009	KC-550 TRANSFORMER	(100V/117V)	1
	C5800011	KC-550 TRANSFORMER	(230V/240V)	1
6	C7100017	TRANS SHEET		1
8	G225730401	INSULATING SHEET	TO-3P2 25X40	2
9	G3157510	STAND OFF	M3 L=15MM	6

### [KC-350 PARTS]

No.	PART CODE	PART NAME	DESCRIPTION	Q'TY
1	C6300038	KC-550/350 SUB CHASSIS		1
2	G2467426	HEATSINK	K-165 118MM BLACK	1
3	60041110	KC-350 SHEET B BOARD ASSY (PS BOARD 3/3)		1
4	60041110	KC-350 SHEET B BOARD ASSY (AMP BOARD 2/3)		1
5	C5800014	KC-350 TRANSFORMER	(100V/117V)	1
	C5800008	KC-350 TRANSFORMER	(230V/240V)	1
6	C7100017	TRANS SHEET		1
8	G2257113	INSULATING SHEET	TO-3P	2
9	G3157510	STAND OFF	M3 L=15MM	6

### [SCREWS]

No.	PART CODE	PART NAME	DESCRIPTION	Q'TY
a	40012867	SCREW M3X8	PAN MACHINE W/SW+PW ZC	6
b	C7000031	SCREW M5X12	PAN MACHINE W/SW+PW ZC	4
c	40011456	SCREW M3X12	PAN MACHINE W/SW ZC	6
d	C7000035	SCREW M4X15	PAN MACHINE W/SW ZC	7
e	40012978	SCREW M3X15	PAN MACHINE W/SW+PW BZC	4 (KC-550)
	40012978	SCREW M3X15	PAN MACHINE W/SW+PW BZC	2 (KC-350)
f	40011889	EXTERNAL TOOTH WASHER M4	FECM	1
g	40011767	FLANGE HEX NUT M4	FE ZC	1

# PARTS LIST(KC-550UC)

**SAFETY PRECAUTIONS:**  
The parts marked  $\Delta$  have safety-related characteristics. Use only listed parts for replacement.

**CONSIDERATION ON PARTS ORDRING**

When ordering any parts listed in the parts list, please specify the following items in the order sheet.

QTY	PART NUMBER	DESCRIPTION	MODEL NUMBER
Ex. 10	22575241	Sharp Key	C-20/50
15	2247017300	Knob (orange)	DAC-15D

Failure to completely fill the above items with correct number and description will result in delayed or even undelivered replacement.

NOTE: The parts marked # are new. (initial parts)

PRE » PRE BOARD(SHEET A), JCK » JACK BOARD(SHEET A)  
PS1 » PS1 BOARD(SHEET B), AMP » AMP BOARD(SHEET B), PS » PS BOARD(SHEET B)

**CASING**

#	CABIN00033	CABINET ASSY			1
		NOTE: 'CABINET ASSY' includes the following parts.			
	HARDW00018	2-LEG METAL CORNER BLACK			8
	HARDW00013	SMALL BLACK RUBBER FOOT			4
#	HARDW00083	PORT TUBE M1701	2'X4.5 BLACK PLASTIC		2
	HARDW00003	AMPLIFIER HANDLE #H-40	W/ESCUCHEON		1
	HARDW00002	CASTER SOCKET			4
	GRILL00003	PUNCHING GRILL			1
	HARDW00007	LOGO BADGE	(ROLAND)		1
#	HARDW00084	LOGO PLATE KC GOLD			1
#	HARDW00085	KC LOGO HOLDER			1
#	MISCE00037	VELCRO AC CABLE TIES-1/4'X3/4'	W/PLASTIC LOOP		1

**CHASSIS**

#	C6300037	KC-550 PRE CHASSIS			1
#	C6300038	KC-550/350 SUB CHASSIS			1

**KNOB,BUTTON**

	2249752100	PUSH BUTTON	BLACK #521		1
	22470119	KNOB	247-119 GOLD		10

**SWITCH**

	01782623	SPUP128100	SWITCH	PSW1 on PRE	1
	13159178	SSSU12584A	SLIDE SWITCH	SSW1 on JCK	1
$\Delta$	01786012	JW-M11RKK	SEESAW SWITCH		1
	13119218	SRBM13N-F15	ROTARY SWITCH	RSW1 on PRE	1

**JACK,EXT TERMINAL**

	01902645	NC3FAH2 W/LOCK PIN	XLR CONNECTOR	JK1 on JCK	1
	00122123	YKF52-5003	XLR CONNECTER	JK12,JK13 on JCK	2
	13449275	YKB21-5074	JACK	JK2-3 on JCK	2
#	03234590	YKC21-3503	JACK	JK14 on PS1	1
	13449145	YKB21-5010	6.5MM JACK	JK18 on PRE	1
	13449146	YKB21-5012 (W/SW)	6.5MM JACK	JK4-11 on JCK,JK15-17 on PS1	11

**SPEAKER,BUZZER**

$\Delta$	SPEAK00012	KHN08L08 (025H27)150W	TWEETER		1
$\Delta$	SPEAK00013	K1508P07	SPEAKER (15INCH WOOFER)		1

**PWB ASSY**

#	60050100	SHEET A BOARD ASSY			1
		NOTE: 'SHEET A BOARD ASSY' includes the following parts.			
	*****	PRE BOARD			1
	*****	JACK BOARD			1
#	60051110	SHEET B BOARD ASSY	100/117V		1
		NOTE: 'SHEET B BOARD ASSY(100V/117V)' includes the following parts.			
	*****	SHEET B BOARD ASSY (PS1 BOARD 1/3)			1
	*****	SHEET B BOARD ASSY (AMP BOARD 2/3)			1
	*****	SHEET B BOARD ASSY (PS BOARD 3/3)			1
	12559194RT	5ST 5A/250V	FUSE	1 on FUSE	1

PWB ASSY

NOTE: Replacement SHEET B BOARD ASSY is for 100V/117V version exclusive use.

SHEET B BOARD ASSY for 100V/117V version differs from 230V/240V version in FUSE system only.

When using SHEET B BOARD (230V/240V) version, be sure to make the following modifications.

1. Replace fuse (FUSE1 on PS1 BOARD) to specific one. (P/No. F2559105 FUSE 5ST 2.5 A L/250 V)

2. Please change into the check marking "230/240V T2.5AL 250V" from "100/117V T5AL 250V" on PS1 BOARD, and "60054110" from "60051110" on PS BOARD.

Please refer to TABLE A and TABLE B.

TABLE A

KC-550	100/117V	T5AL 250V	KC-550	100/117V	T5AL 250V
	<del>230/240V</del>	<del>T2.5AL 250V</del>		<del>230/240V</del>	<del>T2.5AL 250V</del>
<del>KC-350</del>	100/117V	T4AL 250V	<del>KC-350</del>	100/117V	T4AL 250V
	<del>230/240V</del>	<del>T2AL 250V</del>		<del>230/240V</del>	<del>T2AL 250V</del>

TABLE B

KC-550	100/117V	230/240V	KC-550	100/117V	230/240V
	<del>60051110</del>	<del>60044110</del>		<del>60051110</del>	60054110
<del>KC-350</del>	<del>60041110</del>	<del>60044110</del>	<del>KC-350</del>	<del>60041110</del>	<del>60044110</del>

IC

00562156	NJM4556AL	IC (OP AMP)	IC14 on PRE	1
15189250	M5218AL	IC (BIPOLAR OP AMP)	IC2-11,IC13 IC8 on PRE, IC12 on PS1	12
15189189	UPC4570HA	IC (BIPOLAR OP AMP)	IC1,IC15 on PRE	2

TRANSISTOR

△	15119132	2SA1015-GR(TPE2)	TRANSISTOR	Q3,Q40-41 on PS,Q5 on AMP	4
△	15119723	2SA1837	TRANSISTOR	Q8,Q16 on AMP	2
	15119158	2SA970-GR	TRANSISTOR	Q13-14 on AMP	2
△	01672556	2SB1642	TRANSISTOR	Q2 on PS	1
△	15129151	2SC1815-GR(TPE2)	TRANSISTOR	Q4 on PS,Q6 on AMP	2
	15129192	2SC2240-GR(TPE2)	TRANSISTOR	Q33-36 on PRE,Q10-11 on AMP,Q37-38 on PS1	8
	15129152	2SC2878-A(TPE2)	TRANSISTOR	Q22-27,Q39 on PRE,Q12 on AMP,Q28 on PS1	9
△	15129732	2SC4793	TRANSISTOR	Q9,Q15 on AMP	2
△	01672545	2SD2531	TRANSISTOR	Q1 on PS	1
△	01782612	2SA1494	POWER TRANSISTOR	Q17 on AMP	1
△	01782601	2SC3858	POWER TRANSISTOR	Q7 on AMP	1
	15139118	2SK30ATM-GR(TPE2)	FET TRANSISTOR	Q18-21 on PRE,Q29 on PS1	5

DIODE

△	15019560	RD-16EB-2	ZENER DIODE	D1-2 on PS	2
	15019126	1SS133 T-77	SWITCHING DIODE	D8-15,D24-27,D32-43 on PRE,D3-4 on PS,D48 on PS1	27
	F5029133	L-934MBD	LED	LED1 on PRE	1
△	F5019203	1N4004	DIODE	D59-60 on AMP	2
△	F5039118	W04G	DIODE	BD2 on PS	1
△	F5039113	PBPC806	BRIDGE DIODE	BD1 on PS	1

RESISTOR

#	△	C0000052	220 OHM 1/4W	METAL OXIDE RESISTOR	R33,45 on AMP	2
#	△	C0000042	27 OHM 1/2W	METAL OXIDE RESISTOR	R41 on AMP	1
#	△	C0000050	3.3 OHM 1/4W	METAL OXIDE RESISTOR	R29-30,49,52 on AMP	4
#	△	C0000051	47 OHM 1/4W	METAL OXIDE RESISTOR	R21,59 on AMP	2
#	△	C0000054	0.1 OHM 5W	CEMENT RESISTOR	R47 on AMP	1
#	△	C0000055	0.33 OHM 5W	CEMENT RESISTOR	R34,46 on AMP	2
#	△	C0000097	22 OHM 7W	CEMENT RESISTOR	R31 on AMP	1
#		C0000047	1.2K OHM 1/2W	CARBON RESISTOR	R16 on PS	1
#		C0000105	10K OHM 1/2W	CARBON RESISTOR	R2 on PS	1
#		C0000106	2.2K OHM 1/2W	CARBON RESISTOR	R4,8-9 on PS	3
#		C0000102	220K OHM 1/2W	CARBON RESISTOR	R6 on PS	1
#		C0000104	22K OHM 1/2W	CARBON RESISTOR	R7 on PS	1
#		C0000103	27K OHM 1/2W	CARBON RESISTOR	R28,51 on AMP	2
#		C0000004	82 OHM 1/2W	CARBON RESISTOR	R284,292 on PRE	2

POTENTIOMETER

	01120145	RK11K112 10KB	POTENTIOMETER	VR9 on PRE	1
	01120134	RK11K112 20KB CC	POTENTIOMETER	VR6-8 on PRE	3
	01120167	RK14K122 100KBX2	POTENTIOMETER	VR1-4 on PRE	4
	01120156	RK14K12B 10KBX2	POTENTIOMETER	VR5 on PRE	1

CAPACITOR

#	△	C0300012	0.22UF/250V DC	PLASTIC CAPACITOR	C2 on PS	1
#	△	C0300011	1.8UF/250V DC	PLASTIC CAPACITOR	C18 on AMP	1
#	△	C0400007	1UF/50V	ELECTORIC CAPACITOR	C12 on PS	1

CAPACITOR						
#	△	C0400014	220UF/35V	ELECTORIC CAPACITOR	C4,10 on PS	2
#	△	C0400002	220UF/35V	ELECTORIC CAPACITOR	C6,9 on PS,C308-309 on PRE	2
#	△	C0400020	4700UF/100V	ELECTORIC CAPACITOR	C1,C3 on PS	2
#	△	C0400015	470UF/100V	ELECTORIC CAPACITOR	C15,30 on AMP	2
#	△	C0400011	470UF/35V	ELECTORIC CAPACITOR	C5,11 on PS	2
#	△	C0400016	47UF/100V	ELECTORIC CAPACITOR	C303-304 on AMP	2
#	△	C0200010	AC13F472MLO	CERAMIC CAPACITOR	C7 on PS1	1
	△	F3519502	EC8472MH	CERAMIC CAPACITOR	C8 on PS	1
FUSE,FUSE HOLDER						
	△	F2559307	MRT T100MAL/250V	RADIAL TYPE	FUSE4-5 on AMP	2
	△	12199550RT	HFT-015	FUSE HOLDER	FUSE1 on PS1,FUSE2-3 on PS	6
	△	F2559101	5ST T500MAL/250V 230V/240V	FUSE	FUSE2-3 on PS	2
	△	F2559105	5ST T2.5L/250V	FUSE (230/240V)	FUSE1 on PS1	1
	△	12559194RT	5ST T5AL/250V	FUSE(100/117V)	FUSE1 on PS1	1
CONNECTOR						
		13369541	B10B-PH-K-S	CONNECTOR	CN17 on PRE	1
		13369564	B12B-PH-K-S	CONNECTOR	CN1 on PRE	1
	△	13369898	B2P3-VH 7A/250V	CONNECTOR	CN18 on PS,CN19 on PS1	2
		13369567	B4B-PH-K-S	CONNECTOR	CN4 on PS1,CN9 on AMP	2
	△	13369981	B5P-VH 7A/250V	CONNECTOR	CN16 on PS	1
		13369503	B7B-PH-K-S	CONNECTOR	CN2-3 on PRE	2
		13369516	B9B-PH-KS	CONNECTOR	CN13 on PRE,CN12 on PS	2
WIRING,CABLE						
#		C5400030	WIRING	W1 (12P 150MM)	WP21 on JCK to CN1 on PRE	1
#		C5400031	WIRING	W2 (7P 150MM)	WP22 on JCK to CN3 on PRE	1
#		C5400032	WIRING	W3 (4P 50MM)	WP10 to WP11 on PRE	1
#		C5400033	WIRING	W4 (7P 210MM)	CN2 on PRE to WP24 on PS1	1
#		C5400034	WIRING	W5 (4P 660MM)	CN4 on PS1 to CN9 on AMP	1
#	△	C540003501	WIRING	W6 (3P 230MM)	WP25 on PS to WP26 on AMP	1
#		C5400036	WIRING	W7 (9P 850MM)	CN13 on PRE to CN12 on PS	1
#	△	C5400037	WIRING	W8 (3P 60MM)	WP5,8 on AMP	2
#		C5400038	WIRING	W9 (80MM W/LAG)	WP14 on PS	1
#	△	C5400039	WIRING	W10 (170MM BLACK)	WP12-13 on PS1	2
#	△	C5400040	WIRING	W11 (4P 700/500MM)	WP7 on AMP	1
#		C5400041	WIRING	W12 (10P 150MM)	CN17 on PRE to WP23 on PS1	1
#	△	C5400042	WIRING	W13 (2P 860MM)	CN18 on PS to CN19 on PS1	1
TRANSFORMER						
#	△	C5800009	TRANSFORMER(100V/117V)			1
#	△	C5800011	TRANSFORMER(230V/240V)			1
AC CORD ASSY (Installed)						
	△	G349714801	10A SL-2 BLACK SJT	AC CORD ASSY 117V		1
	△	G349714902	10A SL-6 BLACK VDE	AC CORD ASSY 230V		1
	△	G349715702	13A SP-60 BLACK	AC CORD ASSY 230VE		1
	△	G349715002	10A SL-16 BLACK	AC CORD ASSY 240V		1
SCREWS [for CHASSIS]						
		40012989	SCREW M3X20	PAN MACHINE W/SW+PW BZC	fix AC CORD HOLDER	2
		40233012	SCREW M2.6X8	BINDING TAPTITE FEBZC	fix JK1	2
		40011312	SCREW 3X8	BINDING TAPTITE P BZC	fix JK12-14	5
		40012956	SCREW M3X8	PAN MACHINE W/SW+PW FE BZC	fix JCK,PS1 to CHASSIS	4
		40011456	SCREW M3X12	PAN MACHINE W/SW ZC	fix HEATSINK to AMP	6
		40012867	SCREW M3X8	PAN MACHINE W/SW+PW ZC	fix AMP to CHASSIS	6
		40012978	SCREW M3X15	PAN MACHINE W/SW+PW BZC	fix Q7,17	4
		C7000031	SCREW M5X12	PAN MACHINE W/SW+PW ZC	fix TRANS	4
		C7000035	SCREW M4X15	PAN MACHINE W/SW ZC	fix HEATSINK to CHASSIS	7
		40011756	FLANGE HEX NUT M3	ZC	fix AC CORD HOLDER	2
		40011767	FLANGE HEX NUT M4	FE ZC	fix GND WIRING	2
		40011889	EXTERNAL TOOTH WASHER M4	FECM	fix GND WIRING	2
		G3157510	STAND OFF	M3 L=15MM	fix AMP,HEATSINK	6
		2215775600	JACK NUT	215-756	fix JK2-11,15-18	14
		40128923	VR ACCESSORY NUT M7		fix RSW1	1
		17048651	VR ACCESSORY WASHER M7		fix RSW1	1
		17048630	VR ACCESSORY NUT M9		fix VR1-9	9
		17048631	VR ACCESSORY WASHER M9		fix VR1-9	9

**SCREWS**

[for CABINET]

40010601	SCREW M5X35	ORIGINAL TRUSS MACHINE FE BZC	fix PRE & SUB CHASSIS	12
40012045	SCREW M5X50	TRUSS BZC	fix SUB CHASSIS	6
SCREW00053	SCREW #10-32X1	PAN PHIL MCHN BO	fix WOOFER	8
SCREW00007	SCREW #8X3/4	TRUSS PHIL TAP AB BO	fix FOOT, CASTER SOCKET, TW	24
SCREW00012	SCREW #8X1/2	TRUSS PHIL TAP AB BO	fix CORNER, GRILL, CABLE TIE	25
SCREW00064	SCREW #4X1/2	FLAT PHIL TAP AB BO	fix BATCH ROLAND	2
SCREW00020	TINNERMAN FAST NUT	F-TYPE	fix BATCH ROLAND	2
SCREW00075	SCREW #4X1/4	PAN PHILL TAP AB BLK OX	fix BATCH KC	2
SCREW00059	SCREW #10-32X1-1/8	OVAL PHIL MCHN BO	fix HANDLE	4

**PACKING**

#	CARTN00139	SHIPPING BOX		1
	CARTN00138	SHIPPING INSERT		2

**MISCELLANEOUS**

#	△	G225730401	INSULATING SHEET	TO-3P2 25X40	for Q7,17	2
#	△	G2199507	SPEACER	SCT-12A BLACK	fix PS1 to CHASSIS	3
#	△	C3100001	TERMINAL	PT1870502	TER1-2 on PS1,TER3-5 on PS	5
#	△	G2467426	HEATSINK	K-165 118MM BLACK		1
	△	F3459105	TERMINAL	JH-8M3	TER7-8 on JCK, TER6,9 on PS1	4
	△	12369410RT	AC CORD HOLDER	1702B		2
#	△	C7100017	TRANS SHEET			1
		MISCE00002	TWEETER GASKET			1
	△	01786045	AT-217K	SW HOLDER		1

**ACCESSORIES (Standard)**

#		03238745	OWNER'S MANUAL	JAPANESE		1
#		MANUA00093	OWNER'S MANUAL	ENGLISH		1
		MANUA00046	AUTHORIZED DISTRIBUTOR' INS			1
		HARDW00001	CASTER (W/O SOCKET)			4

# PARTS LIST(KC-350UC)

**SAFETY PRECAUTIONS:**

The parts marked  $\Delta$  have safety-related characteristics. Use only listed parts for replacement.

**CONSIDERATION ON PARTS ORDRING**

When ordering any parts listed in the parts list, please specify the following items in the order sheet.

QTY	PART NUMBER	DESCRIPTION	MODEL NUMBER
Ex. 10	22575241	Sharp Key	C-20/50
15	2247017300	Knob (orange)	DAC-15D

Failure to completely fill the above items with correct number and description will result in delayed or even undelivered replacement.

NOTE: The parts marked # are new. (initial parts)

PRE » PRE BOARD(SHEET A), JCK » JACK BOARD(SHEET A)  
 PS1 » PS1 BOARD(SHEET B), AMP » AMP BOARD(SHEET B), PS » PS BOARD(SHEET B)

**#CASING**

#	CABIN00032	CABINET ASSY			1
	NOTE: 'CABINET ASSY' includes the following parts.				
	HARDW00018	2-LEG METAL CORNER BLACK			8
	HARDW00013	SMALL BLACK RUBBER FOOT			4
	HARDW00083	PORT TUBE M1701	2'X4.5 BLACK PLASTIC		2
	HARDW00003	AMPLIFIER HANDLE #H-40	W/ESCUCHEON		1
	GRILL00002	PUNCHING GRILL			1
	HARDW00007	LOGO BADGE	(ROLAND)		1
	HARDW00084	LOGO PLATE KC GOLD			1
	HARDW00085	KC LOGO HOLDER			1
	MISCE00037	VELCRO AC CABLE TIES-1/4'X3/4'	W/PLASTIC LOOP		1

**CHASSIS**

#	C6300036	PRE CHASSIS			1
#	C6300038	SUB CHASSIS			1

**KNOB,BUTTON**

	2249752100	PUSH BUTTON	BLACK #521		1
	22470119	KNOB	247-119 GOLD		10

**SWITCH**

	01782623	SPUP128100	SWITCH	PSW1 on PRE	1
$\Delta$	01786012	JW-M11RKK	SEESAW SWITCH		1
	13119218	SRBM13N-F15	ROTARY SWITCH	RSW1 on PRE	1

**JACK,EXT TERMINAL**

	01902645	NC3FAH2 W/LOCK PIN	XLR CONNECTOR	JK1 on JCK	1
	13449275	YKB21-5074	JACK	JK2-3 on JCK	2
#	03234590	YKC21-3503	JACK	JK14 on PS1	1
	13449145	YKB21-5010	6.5MM JACK	JK18 on PRE	1
	13449146	YKB21-5012 (W/SW)	6.5MM JACK	JK4-11 on JCK,JK15-17 on PS1	11

**SPEAKER,BUZZER**

$\Delta$	SPEAK00010	KHN08B11	TWEETER		1
$\Delta$	SPEAK00011	GBE1240B(K1208J10)	SPEAKER (12INCH WOOFER)		1

**PWB ASSY**

#	60040100	SHEET A BOARD ASSY			1
	NOTE: 'SHEET A BOARD ASSY' includes the following parts.				
	*****	SHEET A BOARD ASSY (PRE BOARD 1/2)			1
	*****	SHEET A BOARD ASSY (JACK BOARD 2/2)			1
#	60041110	SHEET B BOARD ASSY	100/117V		1
	NOTE: 'SHEET B BOARD ASSY(100V/117V)' includes the following parts.				
	*****	PS1 BOARD			1
	*****	AMP BOARD			1
	*****	PS BOARD			1
	F2559111	5ST 4A/250V	FUSE	on FUSE	1

NOTE: Replacement SHEET B BOARD ASSY is for 100V/117V version exclusive use.

SHEET B BOARD ASSY for 100V/117V version differs from 230V/240V version in FUSE system only.

When using SHEET B BOARD (230V/240V) version, be sure to make the following modifications.

1. Replace fuse (FUSE1 on PS1 BOARD) to specific one. (P/No.F2559504 5ST 2 A L/250 V)

2. Please change into the check marking "230/240V T2AL 250V" from "100/117V T4AL 250V" on PS1 BOARD, and "60044110" from "60041110" on PS BOARD.

Please refer to TABLE A and TABLE B.



PWB ASSY

TABLE A

KC-550	100/117V	T5AL 250V	➔	KC-550	100/117V	T5AL 250V
	230/240V	T2.5AL 250V		KC-550	230/240V	T2.5AL 250V
KC-350	100/117V	T4AL 250V	➔	KC-350	100/117V	T4AL 250V
	230/240V	T2AL 250V		KC-350	230/240V	T2AL 250V

TABLE B

PCB Assy No.	100/117V	230/240V	➔	PCB Assy No.	100/117V	230/240V
KC-550	60051110	60054110		KC-550	60051110	60054110
KC-350	60041110	60044110	➔	KC-350	60041110	60044110

IC					
	00562156	NJM4556AL	IC (OP AMP)	IC14 on PRE	1
	15189250	M5218AL	IC (BIPOLAR OP AMP)	IC2-7, 9-11, IC13 on PRE IC12 on PS1	11
	15189189	UPC4570HA	IC (BIPOLAR OP AMP)	IC1,IC15 on PRE	2

TRANSISTOR					
△	15119132	2SA1015-GR(TPE2)	TRANSISTOR	Q3,Q40-41 on PS,Q5 on AMP	4
△	15119723	2SA1837	TRANSISTOR	Q8,Q16 on AMP	2
△	01120223	2SA1962-0	TRANSISTOR	Q17 on AMP	1
	15119158	2SA970-GR	TRANSISTOR	Q13-14 on AMP	2
△	01672556	2SB1642	TRANSISTOR	Q2 on PS	1
△	15129151	2SC1815-GR(TPE2)	TRANSISTOR	Q4 on PS,Q6 on AMP	2
	15129192	2SC2240-GR(TPE2)	TRANSISTOR	Q33-36 on PRE,Q10-11 on AMP,Q37-38 on PS1	8
	15129152	2SC2878-A(TPE2)	TRANSISTOR	Q26-27,Q39 on PRE,Q12 on AMP,Q28 on PS1	5
△	15129732	2SC4793	TRANSISTOR	Q9,Q15 on AMP	2
△	01120234	2SC5242-0	TRANSISTOR	Q7 on AMP	1
△	01672545	2SD2531	TRANSISTOR	Q1 on PS	1
	15139118	2SK30ATM-GR(TPE2)	FET TRANSISTOR	Q18-21 on PRE,Q29 on PS1	5

DIODE					
△	15019560	RD-16EB-2	ZENER DIODE	D1-2 on PS	2
	15019126	1SS133 T-77	SWITCHING DIODE	D8-15,D24-27,D40-43 on PRE,D3-4 on PS,D48 on PS1	19
	F5029133	L-934MBD	LED	LED1 on PRE	1
△	F5019203	1N4004	DIODE	D59-60 on AMP	2
△	F5039118	W04G	DIODE	BD2 on PS	1
△	F5039113	PBPC806	BRIDGE DIODE	BD1 on PS	1

RESISTOR						
#	△	C0000052	220 OHM 1/4W	METAL OXIDE RESISTOR	R33,45 on AMP	2
#	△	C0000042	27 OHM 1/2W	METAL OXIDE RESISTOR	R41 on AMP	1
#	△	C0000050	3.3 OHM 1/4W	METAL OXIDE RESISTOR	R29-30,49,52 on AMP	4
#	△	C0000051	47 OHM 1/4W	METAL OXIDE RESISTOR	R21,59 on AMP	2
#	△	C0000054	0.1 OHM 5W	CEMENT RESISTOR	R47 on AMP	1
#	△	C0000055	0.33 OHM 5W	CEMENT RESISTOR	R34,46 on AMP	2
#	△	C0000056	12 OHM 7W	CEMENT RESISTOR	R31 on AMP	1
#		C0000047	1.2K OHM 1/2W	CARBON RESISTOR	R16 on PS	1
#		C0000105	10K OHM 1/2W	CARBON RESISTOR	R2 on PS	1
#		C0000106	2.2K OHM 1/2W	CARBON RESISTOR	R4,8-9 on PS	3
#		C0000102	220K OHM 1/2W	CARBON RESISTOR	R6 on PS	1
#		C0000104	22K OHM 1/2W	CARBON RESISTOR	R7 on PS	1
#		C0000103	27K OHM 1/2W	CARBON RESISTOR	R28,51 on AMP	2
#		C0000004	82 OHM 1/2W	CARBON RESISTOR	R284,292 on PRE	2

POTENTIOMETER					
	01120145	RK11K112 10KB	POTENTIOMETER	VR9 on PRE	1
	01120134	RK11K112 20KB CC	POTENTIOMETER	VR6-8 on PRE	3
	01120167	RK14K122 100KBX2	POTENTIOMETER	VR1-4 on PRE	4
	01120156	RK14K12B 10KBX2	POTENTIOMETER	VR5 on PRE	1

CAPACITOR						
#	△	C0300012	0.22UF/250V DC	PLASTIC CAPACITOR	C2 on PS	1
#	△	C0300013	1.5UF/250V DC	PLASTIC CAPACITOR	C18 on AMP	1
#	△	C0400007	1UF/50V	ELECTORIC CAPACITOR	C12 on PS	1
#	△	C0400014	2200UF/35V	ELECTORIC CAPACITOR	C4,10 on PS	2
#	△	C0400002	220UF/35V	ELECTORIC CAPACITOR	C6,9 on PS,C308-309 on PRE	2
#	△	C0400013	3300UF/100V	ELECTORIC CAPACITOR	C1,C3 on PS	2
#	△	C0400015	470UF/100V	ELECTORIC CAPACITOR	C15,30 on AMP	2
#	△	C0400011	470UF/35V	ELECTORIC CAPACITOR	C5,11 on PS	2

CAPACITOR						
#		C0400016	47UF/100V	ELECTORIC CAPACITOR	C303-304 on AMP	2
#	△	C0200010	AC17F472MLO	CERAMIC CAPACITOR	C7 on PS1	1
	△	F3519502	EC8472MH	CERAMIC CAPACITOR	C8 on PS	1
FUSE,FUSE HOLDER						
	△	F2559307	MRT T100MAL/250V	RADIAL TYPE	FUSE4-5 on AMP	2
	△	12199550RT	HFT-015	FUSE HOLDER	FUSE1 on PS1,FUSE2-3 on PS	6
	△	F2559101	5ST T500MAL/250V	FUSE	FUSE2-3 on PS	2
	△	F2559504	5ST T2AL/250V	FUSE (230/240V)	FUSE1 on PS1	1
	△	F2559111	5ST T4AL/250V	FUSE (100/117V)	FUSE1 on PS1	1
CONNECTOR						
		13369541	B10B-PH-K-S	CONNECTOR	CN17 on PRE	1
		13369564	B12B-PH-K-S	CONNECTOR	CN1 on PRE	1
	△	13369898	B2P3-VH 7A/250V	CONNECTOR	CN18 on PS,CN19 on PS1	2
		13369567	B4B-PH-K-S	CONNECTOR	CN4 on PS1,CN9 on AMP	2
	△	13369981	B5P-VH 7A/250V	CONNECTOR	CN16 on PS	1
		13369503	B7B-PH-K-S	CONNECTOR	CN2-3 on PRE	2
		13369516	B9B-PH-KS	CONNECTOR	CN13 on PRE,CN12 on PS	2
WIRING,CABLE						
#		C5400030	WIRING	W1 (12P 150MM)	WP21 on JCK to CN1 on PRE	1
#		C5400031	WIRING	W2 (7P 150MM)	WP22 on JCK to CN3 on PRE	1
#		C5400032	WIRING	W3 (4P 50MM)	WP10 to WP11 on PRE	1
#		C5400033	WIRING	W4 (7P 210MM)	CN2 on PRE to WP24 on PS1	1
#		C5400034	WIRING	W5 (4P 660MM)	CN4 on PS1 to CN9 on AMP	1
#	△	C540003501	WIRING	W6 (3P 230MM)	WP25 on PS to WP26 on AMP	1
#		C5400036	WIRING	W7 (9P 850MM)	CN13 on PRE to CN12 on PS	1
#	△	C5400037	WIRING	W8 (3P 60MM)	WP5,8 on AMP	2
#		C5400038	WIRING	W9 (80MM W/LAG)	WP14 on PS	1
#	△	C5400039	WIRING	W10 (170MM BLACK)	WP12-13 on PS1	2
#	△	C5400040	WIRING	W11 (4P 700/500MM)	WP7 on AMP	1
#		C5400041	WIRING	W12 (10P 150MM)	CN17 on PRE to WP23 on PS1	1
#	△	C5400042	WIRING	W13 (2P 860MM)	CN18 on PS to CN19 on PS1	1
TRANSFORMER						
#	△	C5800014	TRANSFORMER(100V/117V)			1
#	△	C5800008	TRANSFORMER(230V/240V)			1
AC CORD ASSY (Installed)						
	△	G349714801	10A SL-2 BLACK SJT	AC CORD ASSY 117V		1
	△	G349714902	10A SL-6 BLACK VDE	AC CORD ASSY 230V		1
	△	G349715702	13A SP-60 BLACK	AC CORD ASSY 230VE		1
	△	G349715002	10A SL-16 BLACK	AC CORD ASSY 240V		1
SCREWS						
[for CHASSIS]						
		40012989	SCREW M3X20	PAN MACHINE W/SW+PW BZC	fix AC CORD HOLDER	2
		40233012	SCREW M2.6X8	BINDING TAPTITE FEBZC	fix JK1	2
		40011312	SCREW 3X8	BINDING TAPTITE P BZC	fix JK14	1
		40012956	SCREW M3X8	PAN MACHINE W/SW+PW FE BZC	fix JCK,PS1 to CHASSIS	4
		40011456	SCREW M3X12	PAN MACHINE W/SW ZC	fix HEATSINK to AMP	6
		40012867	SCREW M3X8	PAN MACHINE W/SW+PW ZC	fix AMP to CHASSIS	6
		40012978	SCREW M3X15	PAN MACHINE W/SW+PW BZC	fix Q7,17	2
		C7000031	SCREW M5X12	PAN MACHINE W/SW+PW ZC	fix TRANS	4
		C7000035	SCREW M4X15	PAN MACHINE W/SW ZC	fix HEATSINK to CHASSIS	7
		40011756	FLANGE HEX NUT M3	ZC	fix AC CORD HOLDER	2
		40011767	FLANGE HEX NUT M4	FE ZC	fix GND WIRING	2
		40011889	EXTERNAL TOOTH WASHER M4	FECM	fix GND WIRING	2
		G3157510	STAND OFF	M3 L=15MM	fix AMP,HEATSINK	6
		2215775600	JACK NUT	215-756	fix JK2-11,15-18	14
		40128923	VR ACCESSORY NUT M7		fix RSW1	1
		17048651	VR ACCESSORY WASHER M7		fix RSW1	1
		17048630	VR ACCESSORY NUT M9		fix VR1-9	9
		17048631	VR ACCESSORY WASHER M9		fix VR1-9	9
[for CABINET]						
		40010601	SCREW M5X35	ORIGINAL TRUSS MACHINE FE BZC	fix PRE & SUB CHASSIS	12
		40012045	SCREW M5X50	TRUSS BZC	fix SUB CHASSIS	6
		SCREW00053	SCREW #10-32X1	PAN PHIL MCHN BO	fix WOOFER	8
		SCREW00007	SCREW #8X3/4	TRUSS PHIL TAP AB BO	fix FOOT, TW	8
		SCREW00012	SCREW #8X1/2	TRUSS PHIL TAP AB BO	fix CORNER,GRILL,CABLE TIE	25

**SCREWS**

SCREW00064	SCREW #4X1/2	FLAT PHIL TAP AB BO	fix BATCH ROLAND	2
SCREW00020	TINNERMAN FAST NUT	F-TYPE	fix BATCH ROLAND	2
SCREW00075	SCREW #4X1/4	PAN PHILL TAP AB BLK OX	fix BATCH KC	2
SCREW00059	SCREW #10-32X1-1/8	OVAL PHIL MCHN BO	fix HANDLE	4

**PACKING**

#	CARTN00136	SHIPPING BOX		1
	CARTN00137	FOAM CUSHION-TOP		2
	CARTN00150	FOAM CUSHION-BOTTOM		2

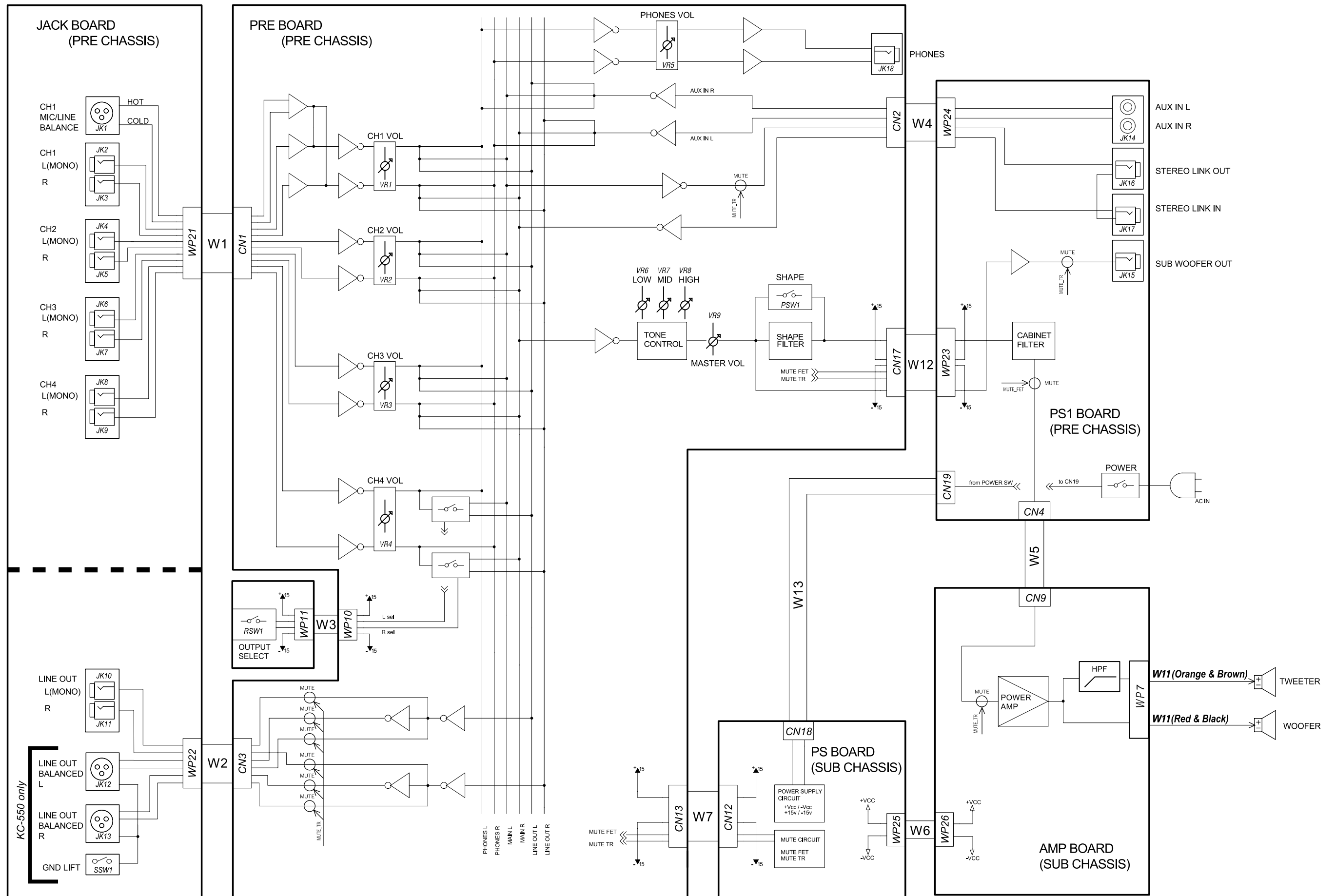
**MISCELLANEOUS**

#	△	G2257113	INSULATING SHEET	TO-3P	for Q7,17	2
#	△	G2199507	SPEACER	SCT-12A BLACK	fix PS1 to CHASSIS	3
#	△	C3100001	TERMINAL	PT1870502	TER1-2 on PS1,TER3-5 on PS	5
#	△	G2467426	HEATSINK	K-165 118MM BLACK		1
	△	F3459105	TERMINAL	JH-8M3	TER7-8 on JCK, TER6,9 on PS1	4
	△	12369410RT	AC CORD HOLDER	1702B		2
#	△	C7100017	TRANS SHEET			1
	△	MISCE00001	TWEETER GASKET			1
	△	01786045	AT-217K	SW HOLDER		1

**ACCESSORIES (Standard)**

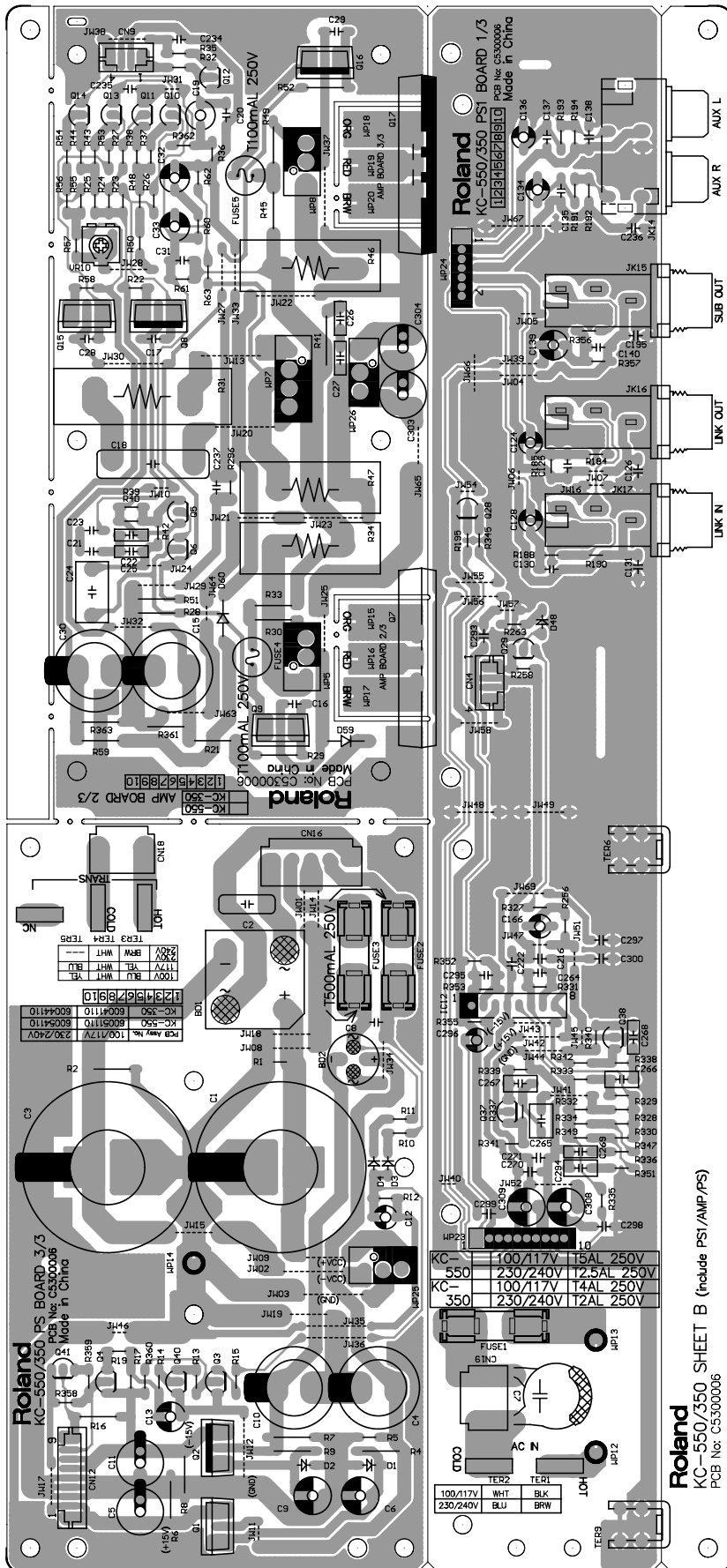
#		03238745	OWNER'S MANUAL	JAPANESE		1
#		MANUA00093	OWNER'S MANUAL	ENGLISH		1
		MANUA00046	AUTHORIZED DISTRIBUTOR' INS			1

# KC-550/KC-350 BLOCK DIAGRAM



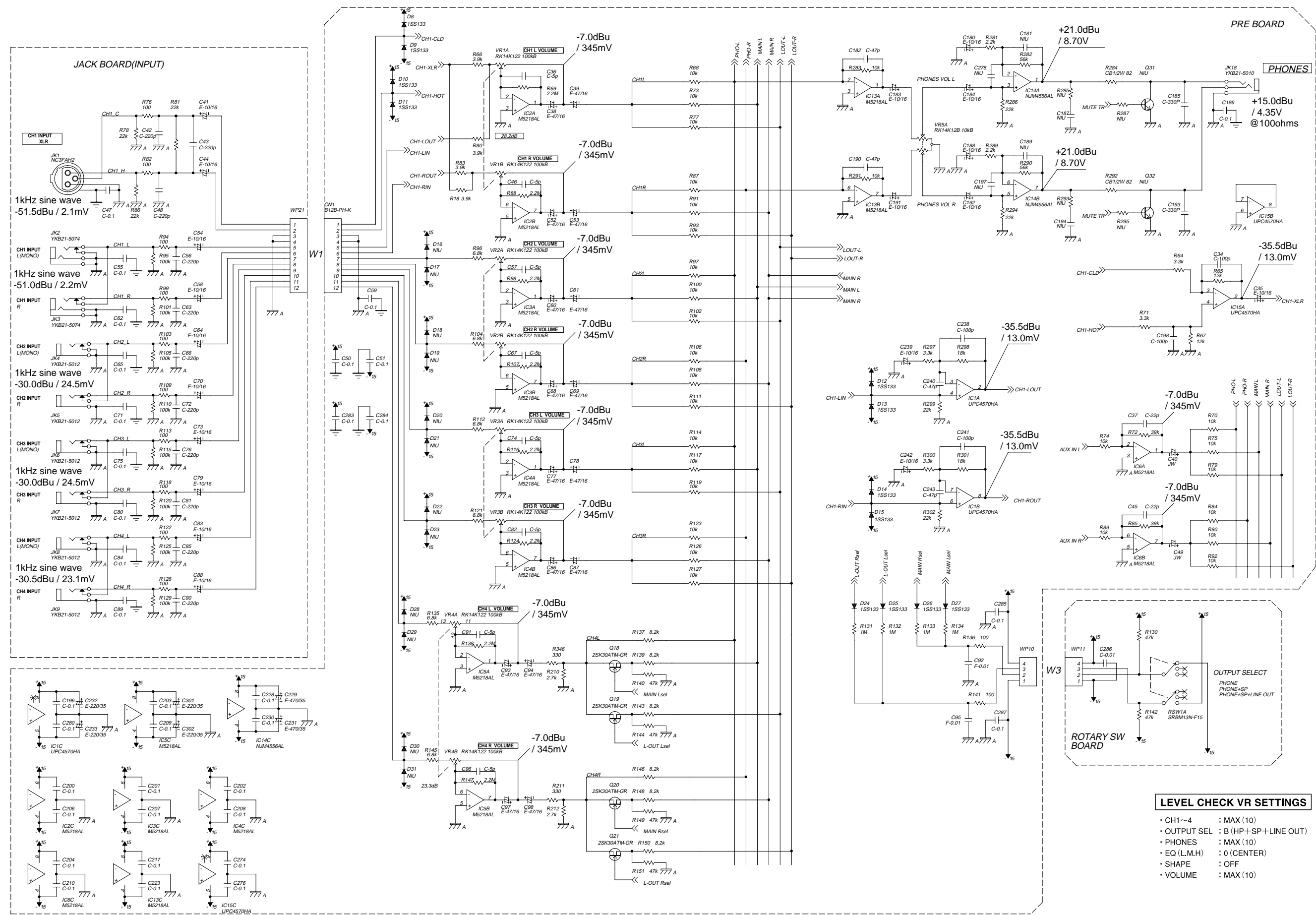


# KC-550/KC-350 CIRCUIT BOARD (SHEET B BOARD)



scale=0.7

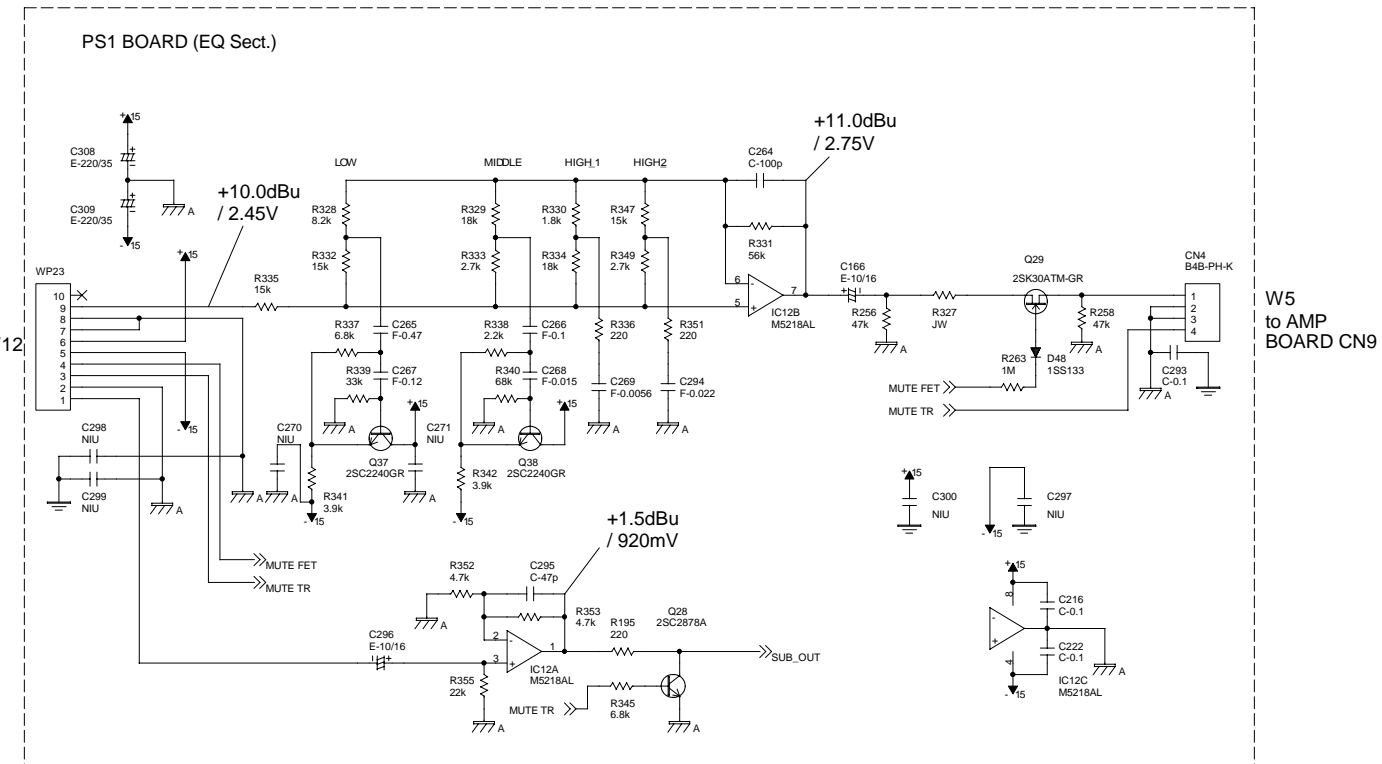
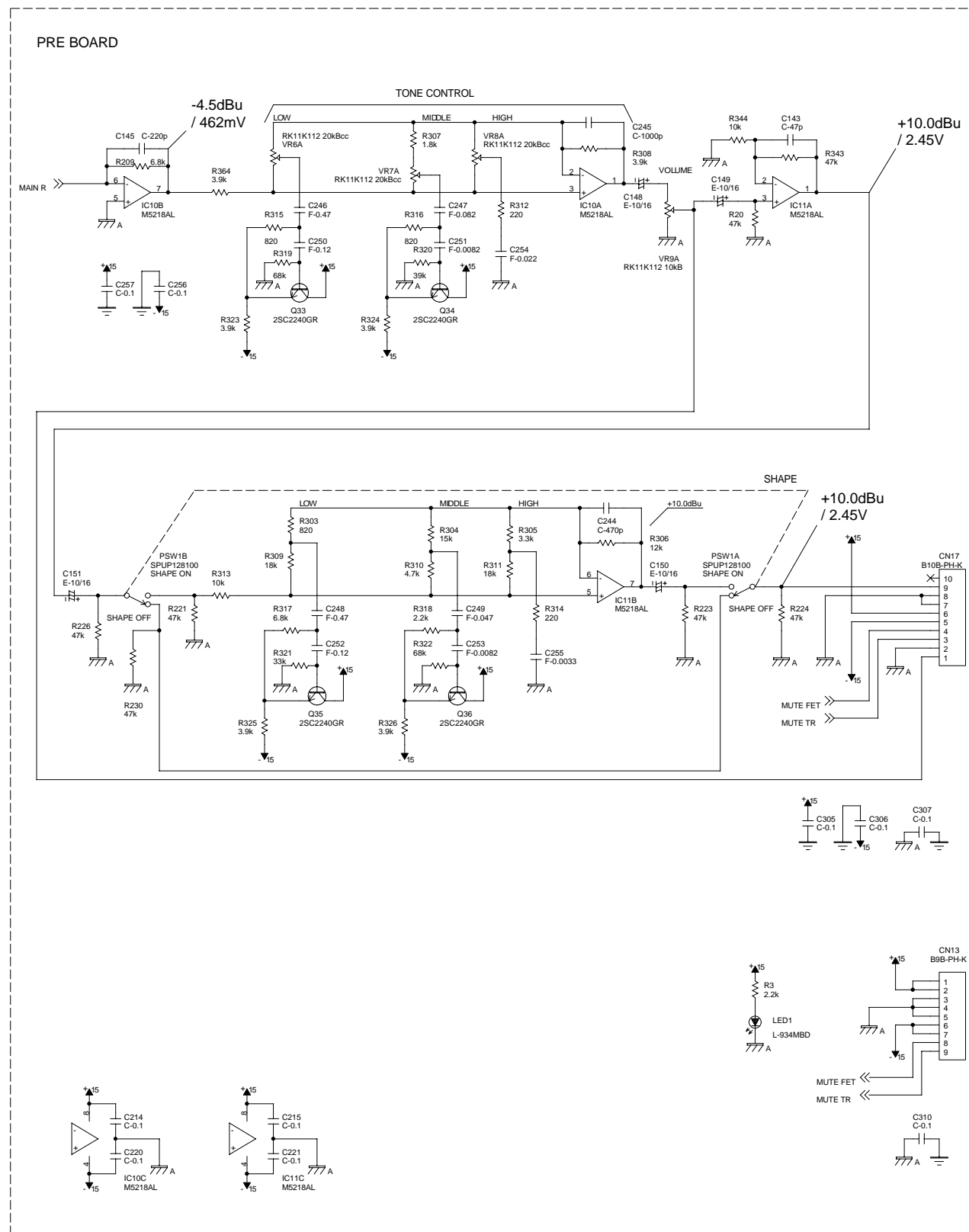
# KC-550 CIRCUIT DIAGRAM (1/4)



**LEVEL CHECK VR SETTINGS**

- CH1~4 : MAX (10)
- OUTPUT SEL : B (HP+SP+LINE OUT)
- PHONES : MAX (10)
- EQ (L.M.H) : 0 (CENTER)
- SHAPE : OFF
- VOLUME : MAX (10)

# KC-550 CIRCUIT DIAGRAM (2/4)



W5 to AMP BOARD CN9

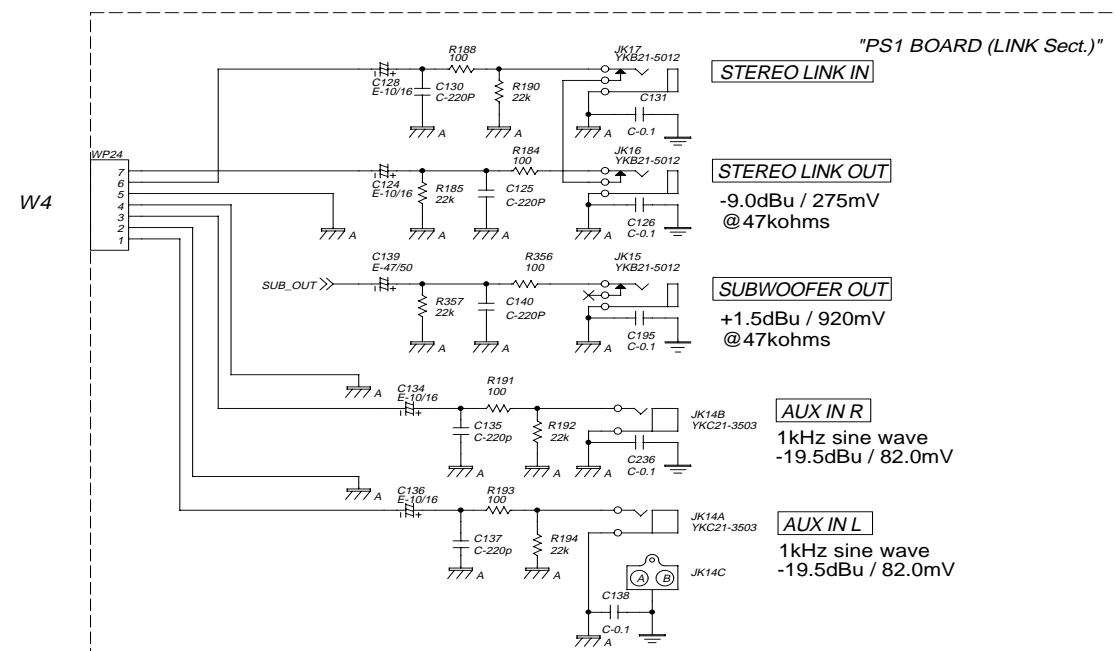
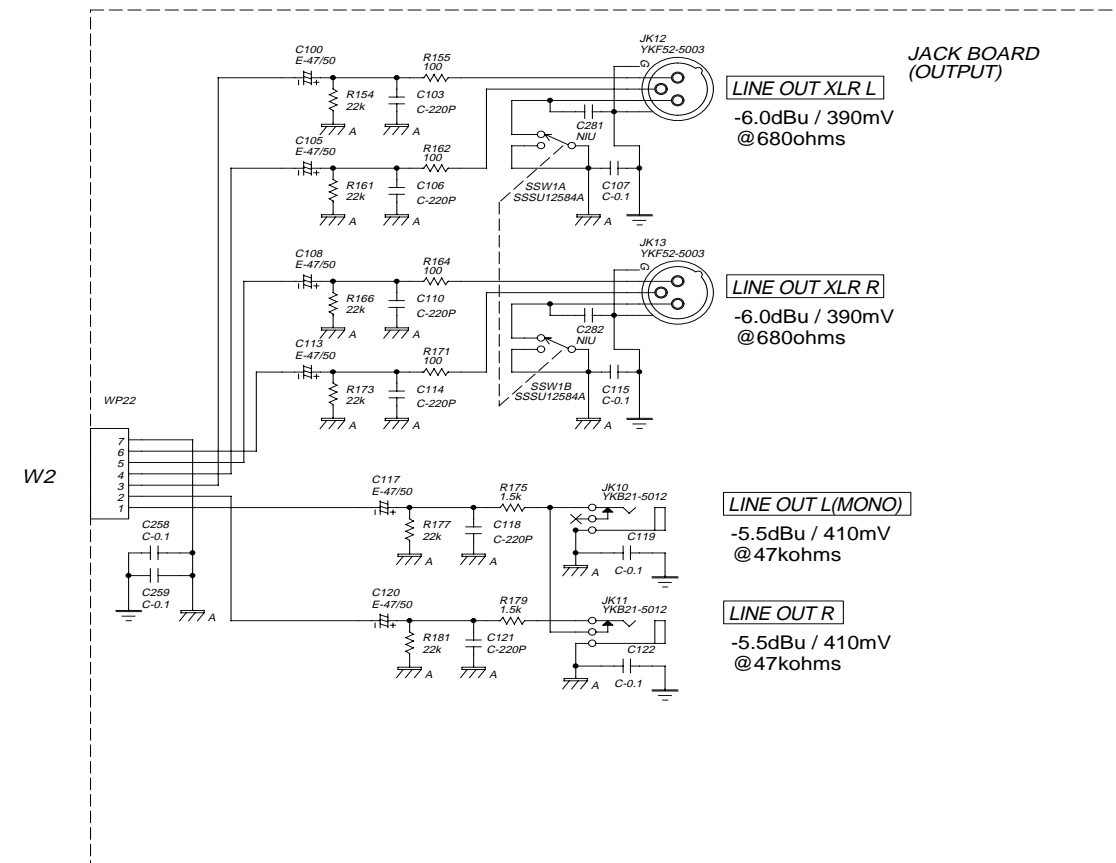
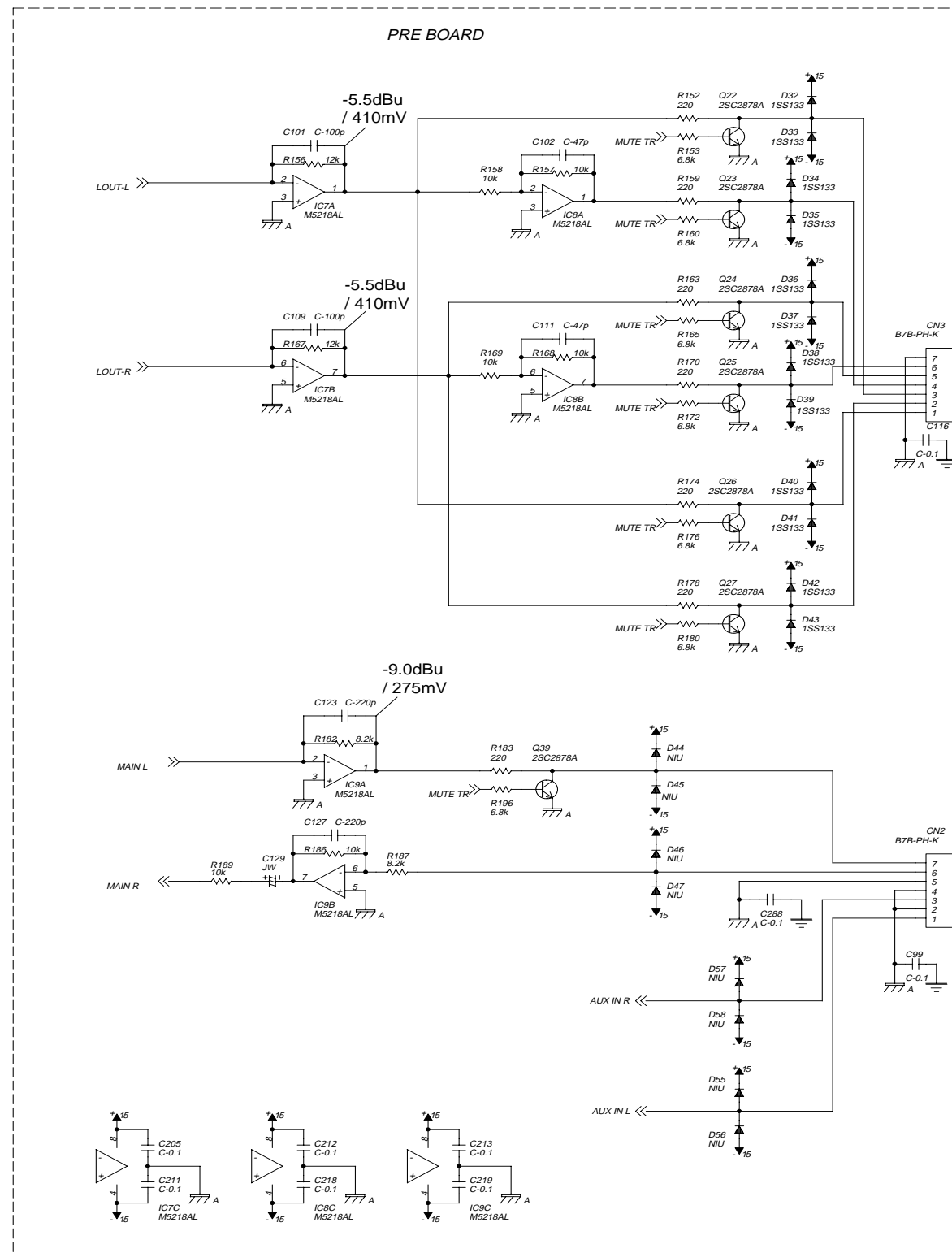
W7 from PS BOARD CN12

**LEVEL CHECK VR SETTINGS**

- CH1~4 : MAX (10)
- OUTPUT SEL : B (HP+SP+LINE OUT)
- PHONES : MAX (10)
- EQ (L.M.H) : 0 (CENTER)
- SHAPE : OFF
- VOLUME : MAX (10)



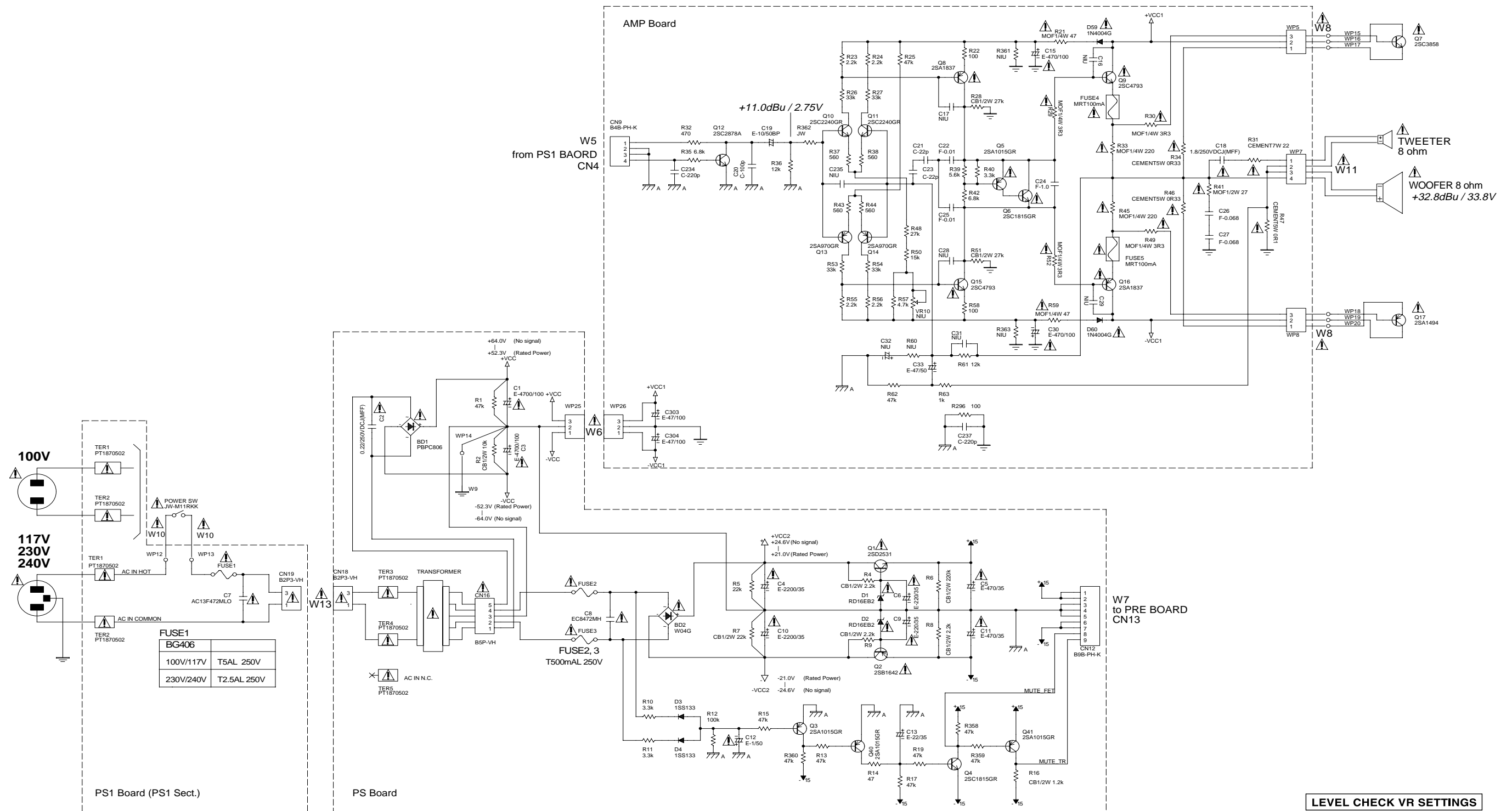
KC-550 CIRCUIT DIAGRAM (3/4)



**LEVEL CHECK VR SETTINGS**

- CH1~4 : MAX (10)
- OUTPUT SEL : B (HP+SP+LINE OUT)
- PHONES : MAX (10)
- EQ (L.M.H) : 0 (CENTER)
- SHAPE : OFF
- VOLUME : MAX (10)

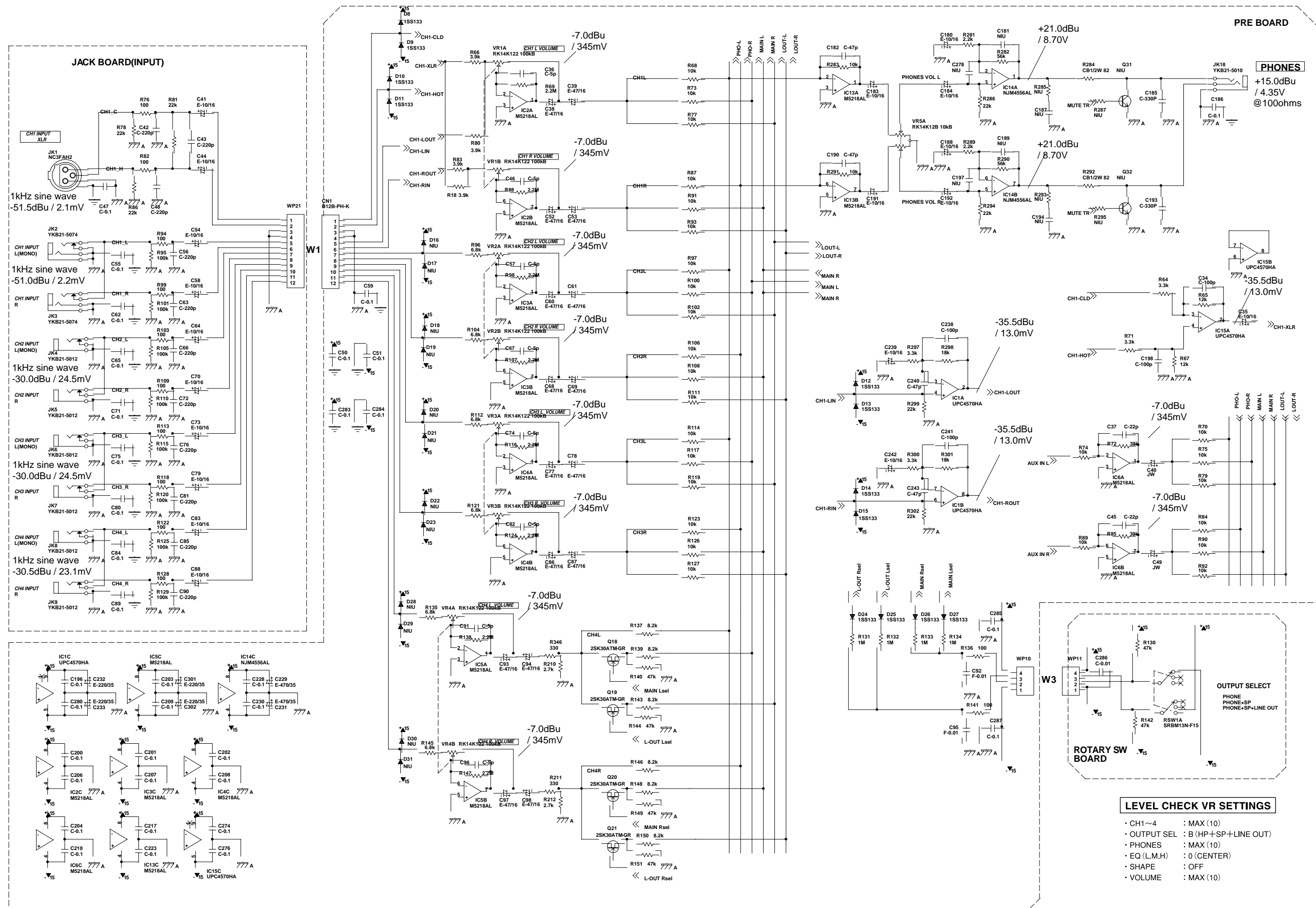
KC-550 CIRCUIT DIAGRAM (4/4)



LEVEL CHECK VR SETTINGS

- CH1~4 : MAX (10)
- OUTPUT SEL : B (HP+SP+LINE OUT)
- PHONES : MAX (10)
- EQ (L.M.H) : 0 (CENTER)
- SHAPE : OFF
- VOLUME : MAX (10)

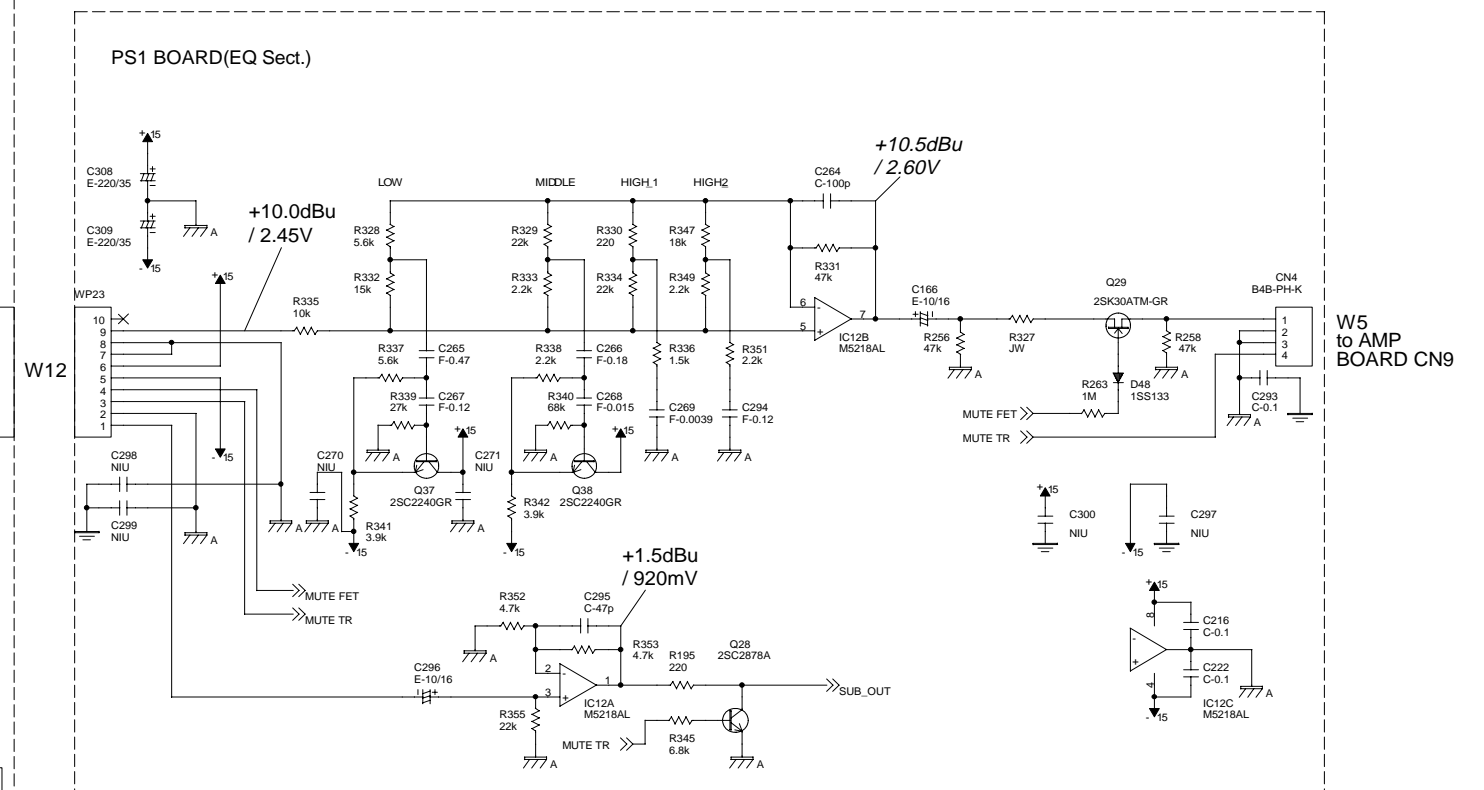
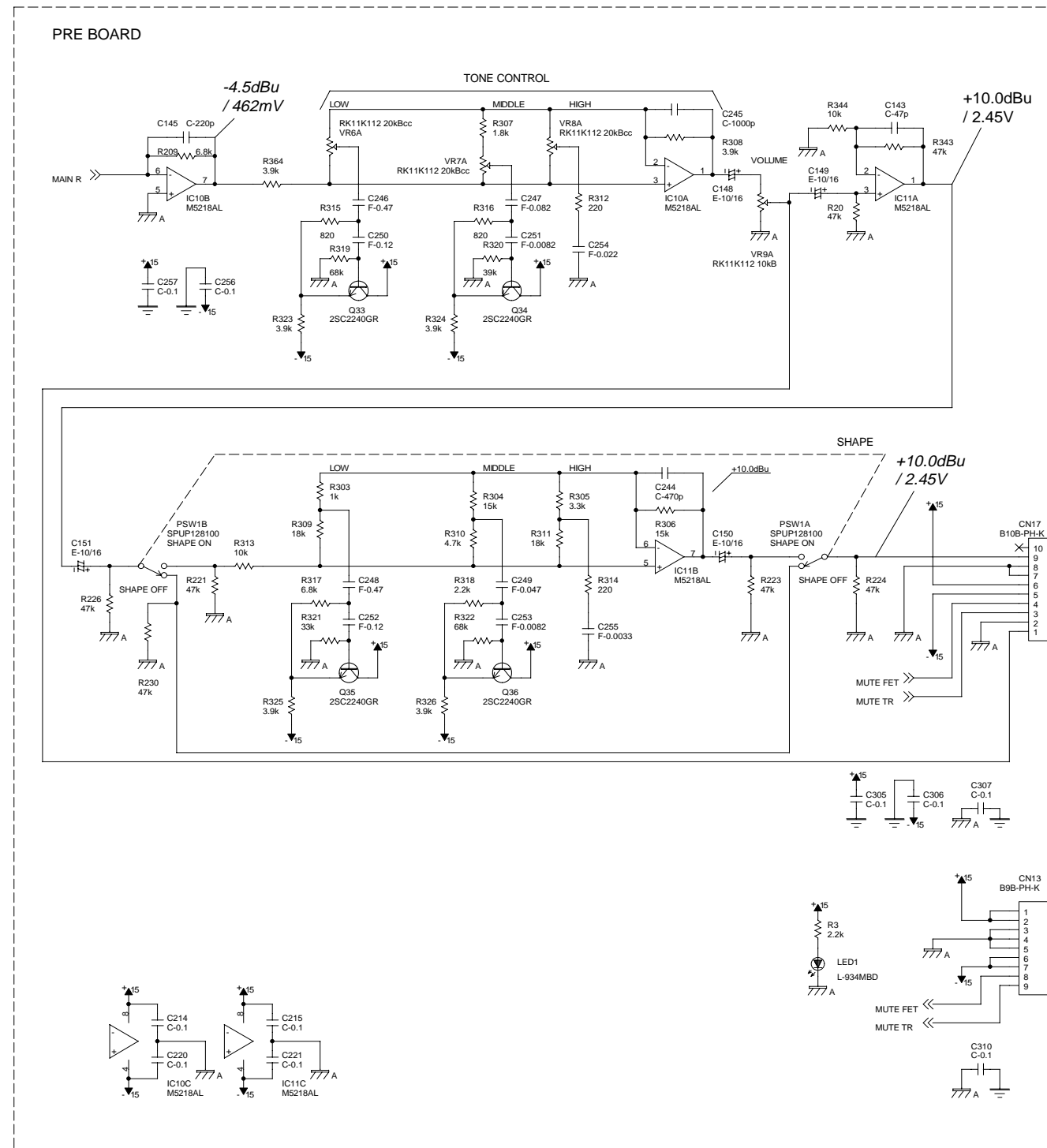
# KC-350 CIRCUIT DIAGRAM (1/4)



### LEVEL CHECK VR SETTINGS

- CH1~4 : MAX (10)
- OUTPUT SEL : B (HP+SP+LINE OUT)
- PHONES : MAX (10)
- EQ (L.M.H) : 0 (CENTER)
- SHAPE : OFF
- VOLUME : MAX (10)

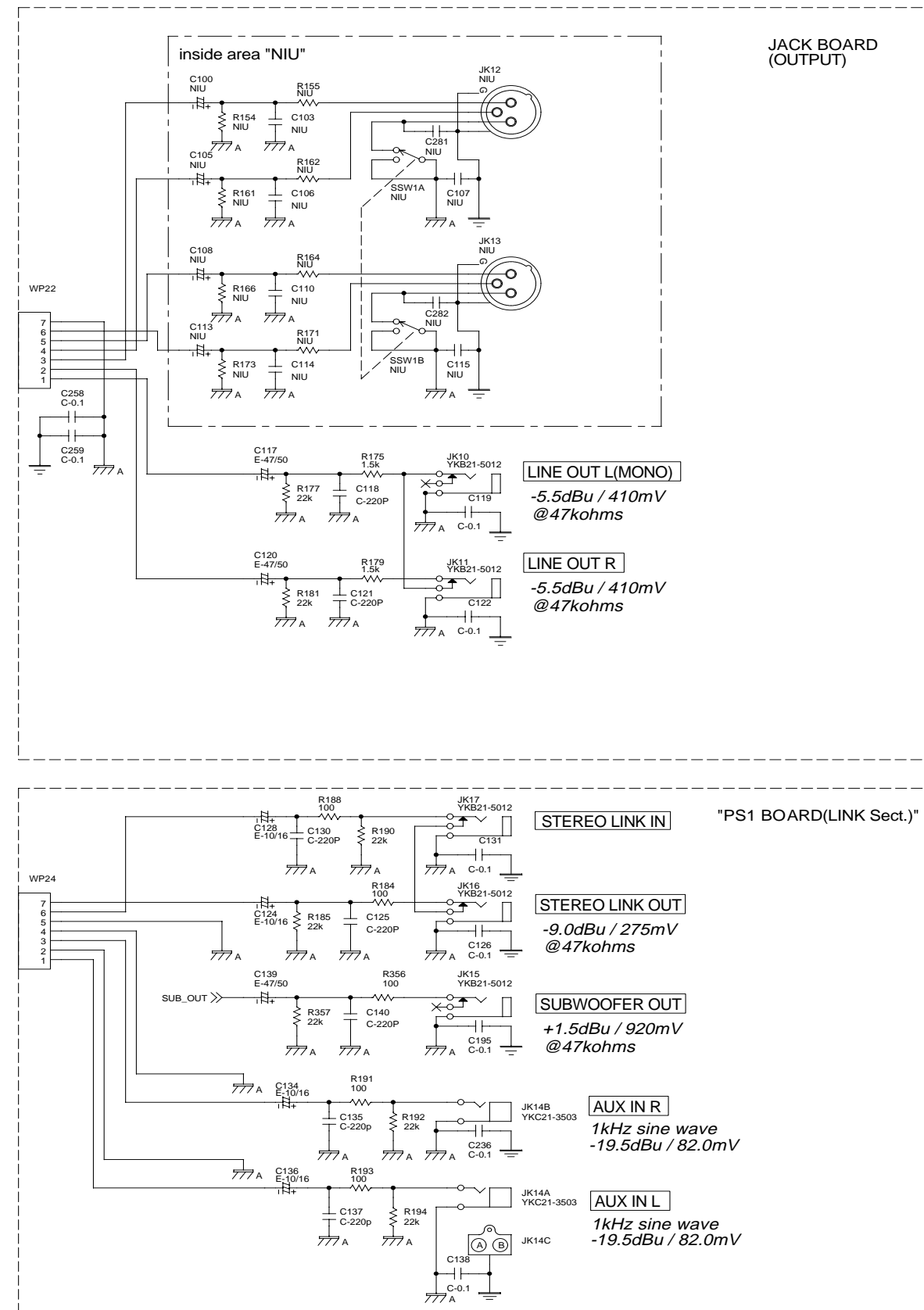
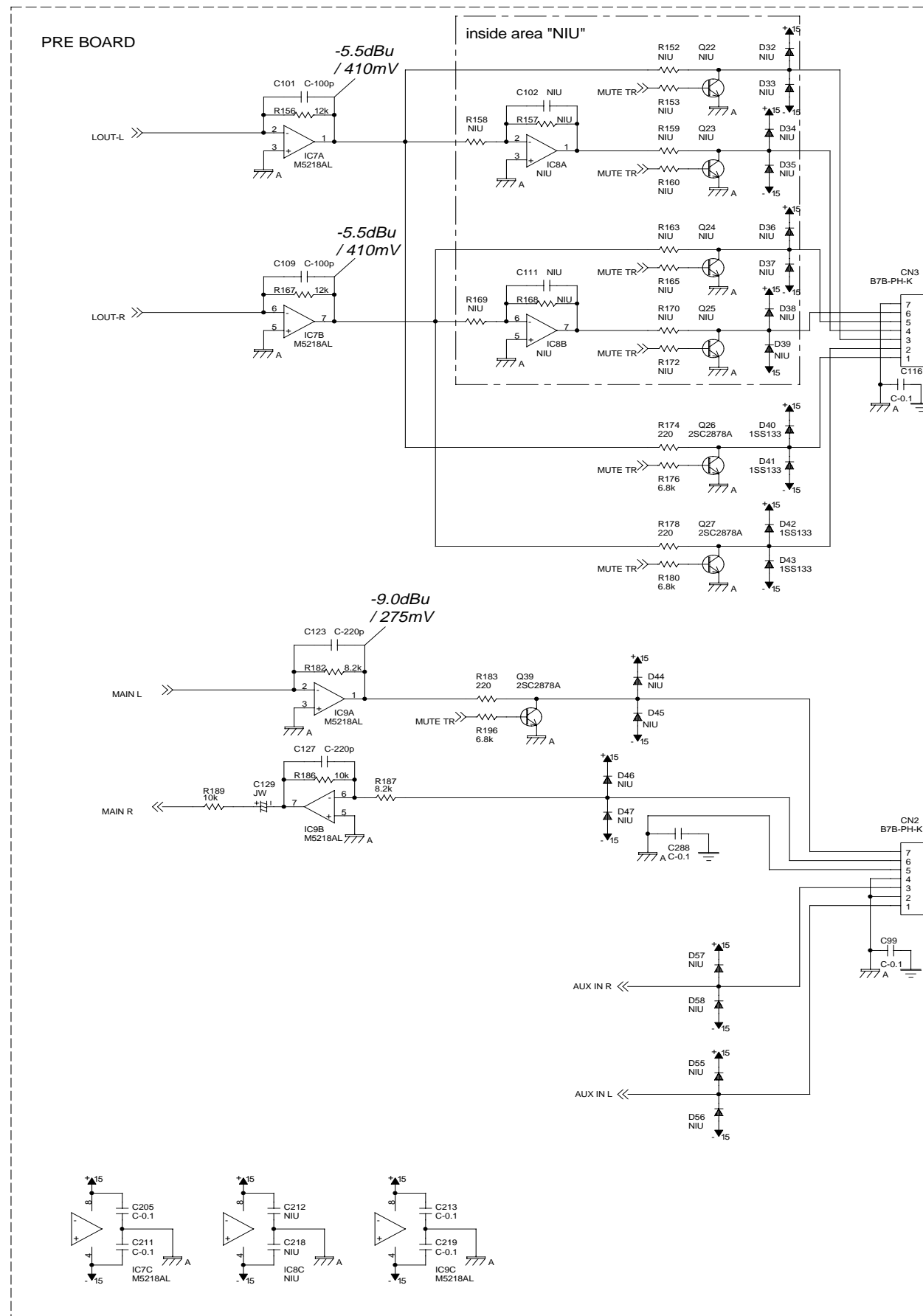
KC-350 CIRCUIT DIAGRAM (2/4)



**LEVEL CHECK VR SETTINGS**

- CH1~4 : MAX (10)
- OUTPUT SEL : B (HP+SP+LINE OUT)
- PHONES : MAX (10)
- EQ (L.M.H) : 0 (CENTER)
- SHAPE : OFF
- VOLUME : MAX (10)

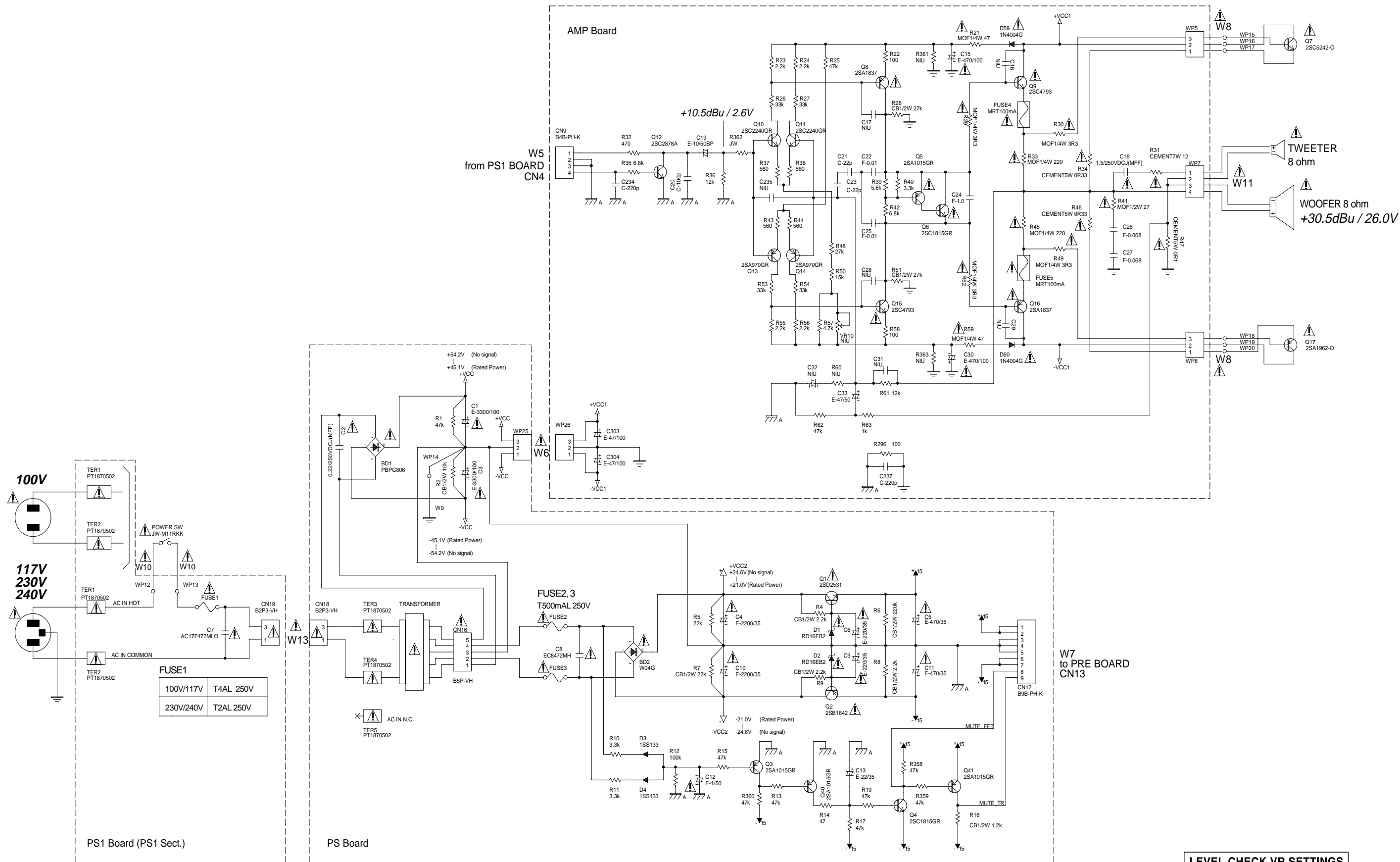
KC-350 CIRCUIT DIAGRAM (3/4)



LEVEL CHECK VR SETTINGS

- CH1~4 : MAX (10)
- OUTPUT SEL : B (HP+SP+LINE OUT)
- PHONES : MAX (10)
- EQ (L.M.H) : 0 (CENTER)
- SHAPE : OFF
- VOLUME : MAX (10)

# KC-350 CIRCUIT DIAGRAM (4/4)



**LEVEL CHECK VR SETTINGS**

- CH1~4 : MAX (10)
- OUTPUT SEL : B (HP+SP+LINE OUT)
- PHONES : MAX (10)
- EQ (L.M.H) : 0 (CENTER)
- SHAPE : OFF
- VOLUME : MAX (10)