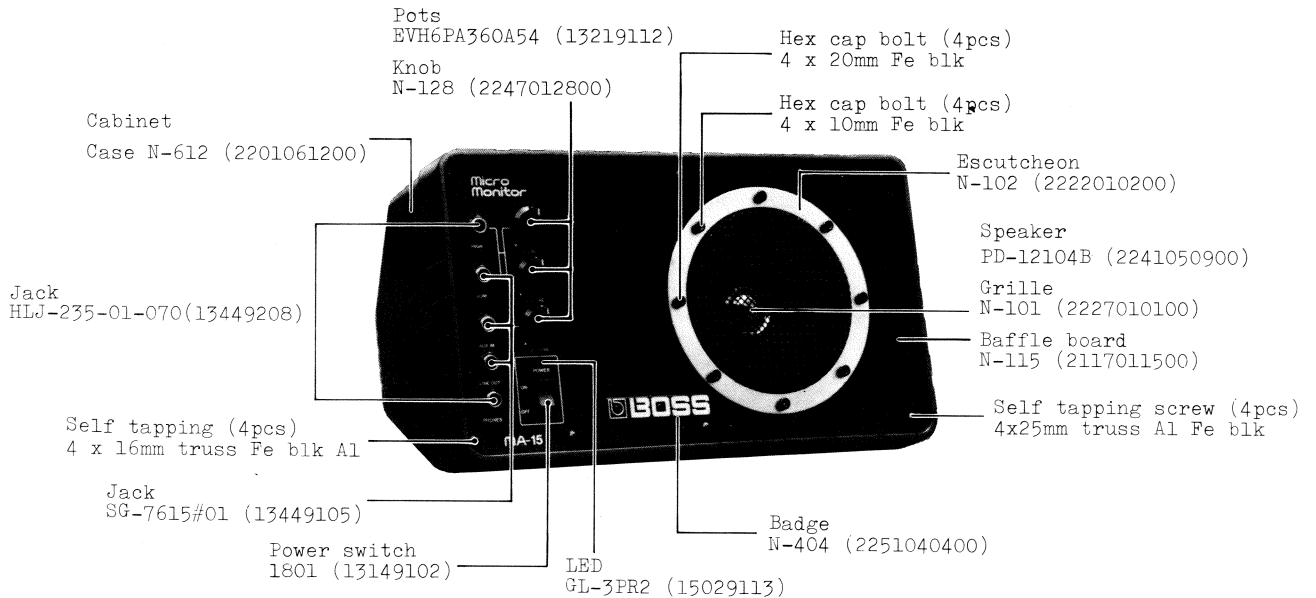


BOSS MA-15 SERVICE NOTES

First Edition

SPECIFICATIONS

Output: 15W RMS Power consumption: 22W Weight: 3.1kg
 Dimensions: 300(W) x 167 (H) x 162 (D)mm 6.83 lbs
 11.8 6.6 6.4 in



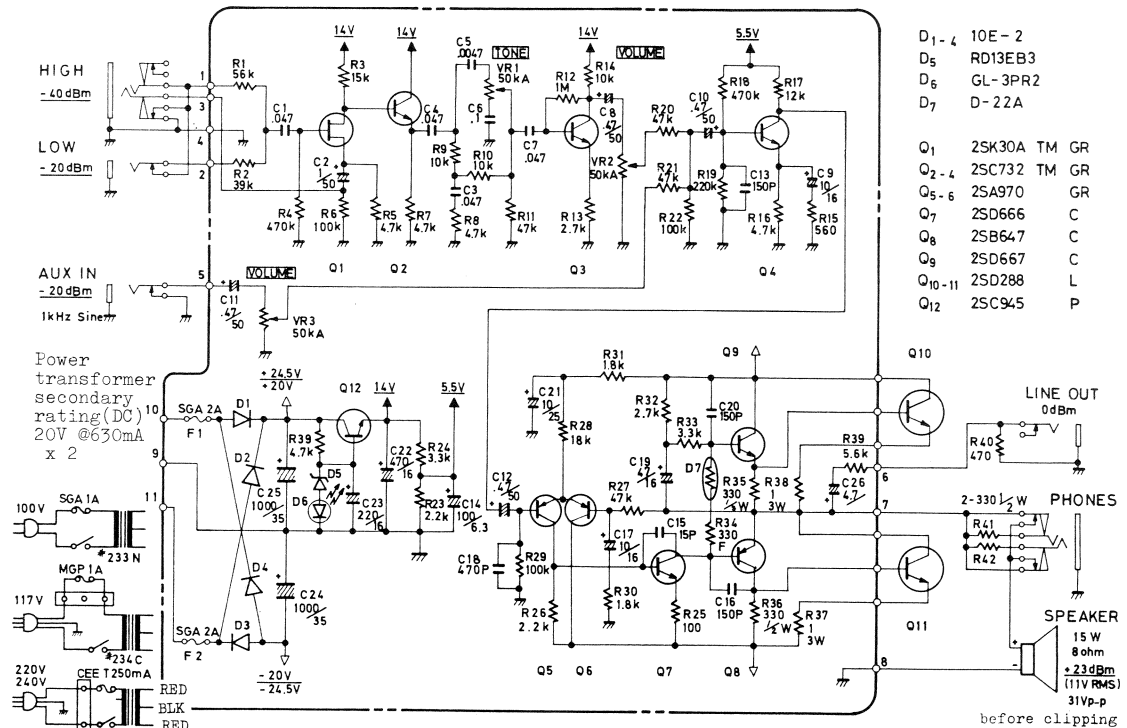
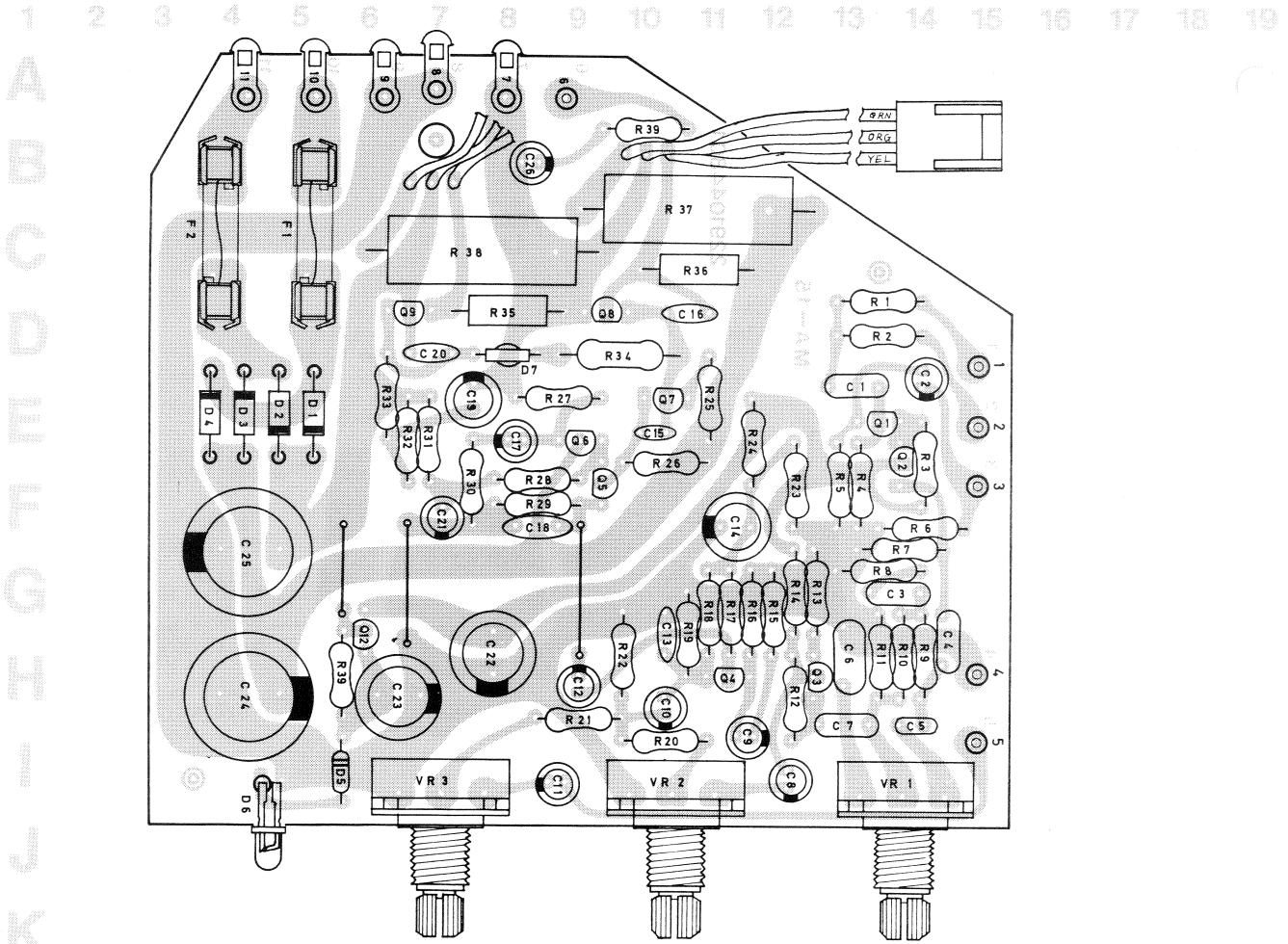
PARTS LIST

2201061200	Case N-612 (cabinet)
2227010100	Grille N-101
2117011500	Baffle board N-115
2251040400	Badge (logo) N-404
2222010200	Escutcheon N-102
2281026104	Chassis N-261C
2241050900	Speaker PD-12104B
2247012800	Knob N-128
13449105	Jack SG-7615#01
13449208	Jack HLJ-235-01-070 stereo
13219112	Potentiometer EVH6PA360A54
22450233N0	Power transformer PT-N-233N 100V
22450234C0	PT-N-234C 117V
22450235D1	PT-N-235D 220/240V
7014651001	PCB assy AP0146-510B
2291044801	PCB less parts
12199501	PCB holder LCBS-4N
2246042600	Heat sink N-426

SEMICONDUCTOR

15129802	2SD288-L	transistor
15129602	2SD667-C	
15129104	2SC732TM-GR	
15129601	2SD666-C	
15129108	2SC945-P	
15119602	2SB647-C	
15119111	2SA970-GR	
15139103	2SK30ATM-GR	FET
15019550	RD13EB3	zener
15029113	GL-3PR2	LED
15019209	10E-2	rectifier
15019103	1S2473	diode
15229902	D-22A	thermistor
12559105	Fuse SGA 1A	100V
12559133	Fuse MGP 1A	117V
12559508	CEE T250mA	220/240V
12559106	SGA 2A	secondary
12199528	Fuse holder	SN-5C53
12199509	Fuse holder	XN-1153#01 primary
13459102	Terminal block	D-01-3P 117V
13459101	D-01-2P	220/240V

AP 0146-510B(7014651004) (pcb 2291044801)



- D1-4 10E-2
- D5 RD13EB3
- D6 GL-3PR2
- D7 D-22A

- Q1 2SK30A TM GR
- Q2-4 2SC732 TM GR
- Q5-6 2SA970 GR
- Q7 2SD666 C
- Q8 2SB647 C
- Q9 2SD667 C
- Q10-11 2SD288 L
- Q12 2SC945 P

FRIM. 100V-BLU/117V-GRN/220V-BRN/240V-RBD/COM-WHT

 Roland®

17059321

UPC

17059321



10981

Roland