

# XV-3080

128 VOICES **6x EXPANSION**

## SERVICE NOTES

First Edition

Issued by RJA

### TABLE OF CONTENTS

### 目次

### Page

SPECIFICATIONS .....	スペック/主な仕様 .....	1
LOCATION OF CONTROLS .....	パネル配置図 .....	2
LOCATION OF CONTROLS PARTS LIST .....	パネル配置図パーツリスト .....	2
EXPLODED VIEW .....	分解図 .....	3
EXPLODED VIEW PARTS LIST .....	分解図パーツリスト .....	3
PARTS LIST .....	パーツリスト .....	4-6
IDENTIFYING THE VERSION NUMBER .....	バージョンナンバーの確認方法 .....	7
USER DATA SAVE AND LOAD .....	データのセーブとロード .....	7
FACTORY PRESET .....	ファクトリープリセットの方法 .....	8
HOW TO VERSION UP THE FLASH ROM .....	フラッシュ ROM バージョンアップの方法 .....	8
TEST MODE .....	テストモード .....	9-11
BLOCK DIAGRAM .....	ブロック図・配線図 .....	12
CIRCUIT BOARD .....	基板図 .....	13-18
CIRCUIT DIAGRAM .....	回路図 .....	19-29
ERROR MESSAGES .....	エラー・メッセージ .....	30

### SPECIFICATIONS

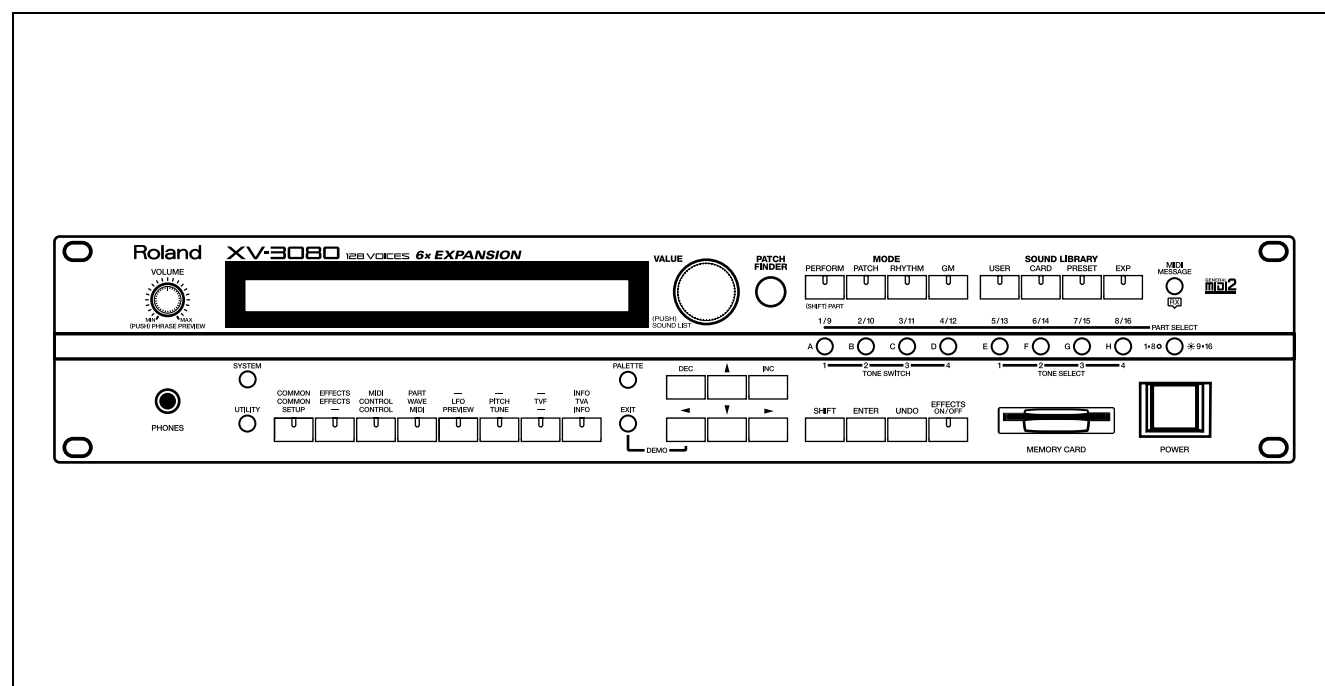
XV-3080 128 voice sound module  
GM Level 2 system Compatible

- **Parts**  
16
- **Maximum Polyphony**  
128 voices
- **Wave memory**  
64MB (16-bit linear format)
- **Expansion slots**  
Wave Expansion Board  
SR-JV80 Series: 4slots  
New Wave Expansion Board  
SRX Series: 2slots
- **Preset memory**  
Patch:  
768 (128 x 6 banks) +  
GM Level 2 Patch: 256  
Performance: 64 (32 x 2 banks)  
Rhythm Sets:  
12 (2 x 6 banks) +  
GMLevel 2 Rhythm Set: 4
- **User memory**  
Patch: 128  
Performance: 64  
Rhythm Set: 4
- **External memory**  
Smart media card 1slot  
(2 - 128 MB, 5 or 3.3 V)
- **Effects**  
Multi Effects (MFX): 63 type  
Reverb: 4 type  
Chorus: 2 type
- **Display**  
40 characters, 2 lines (Backlit LCD)
- **Connectors**  
A (MIX) Output (L(MONO), R)  
B Output (L, R)  
C Output (L, R)  
(Individual 1 - 6)  
Phones Jack (Stereo)  
MIDI connector (IN, OUT, THRU)
- **Power supply**  
AC117, 230, 240 V
- **Power Consumption**  
13 W
- **Dimensions**  
482 (W) x 281 (D) x 88 (H) mm  
19 (W) x 11-1/16 (D) x 3-1/2 (H) inches  
(EIA-2U rack mount type)
- **Weight**  
4.4 kg / 9lbs 12oz
- **Accessories**  
Owner's manual  
: English (71562378)  
: Japanese (71560545)  
Power cord  
100V (00894367)  
120V (00894378)  
230V (00894389)  
240VA (23495124)  
240VE (00907001)
- **Options**  
Wave Expansion Board  
(SRX series, SR-JV80 series)  
  
\* In the interest of product improvement, the specifications and/or appearance of this unit are subject to change without prior notice.

### 主な仕様

XV-3080:128 ボイス・サウンド・モジュール

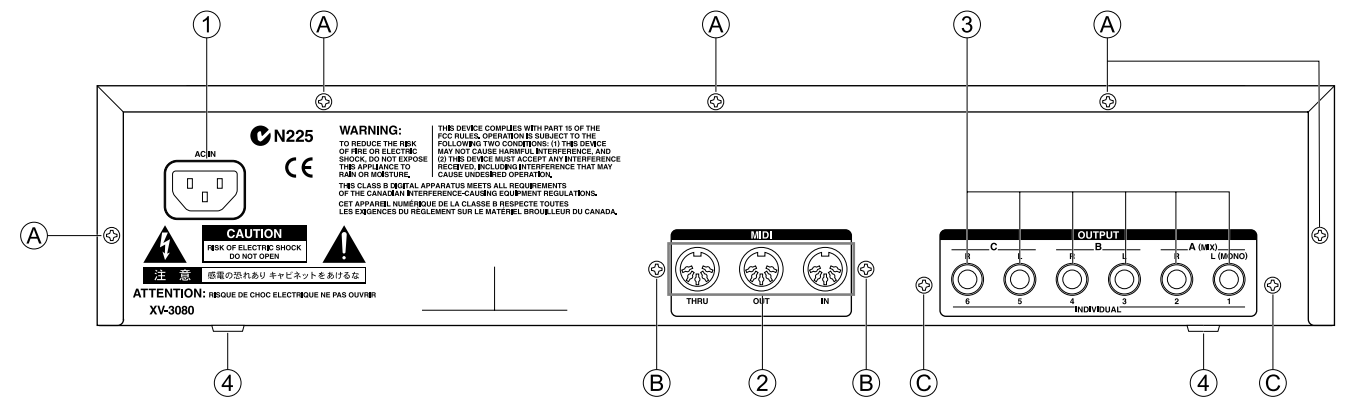
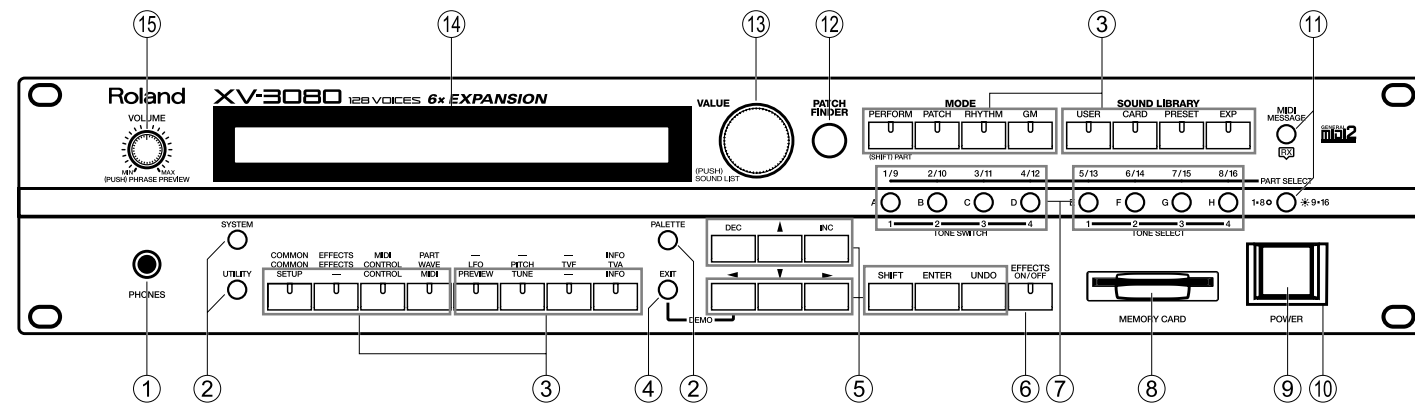
- **パート**  
16
- **最大同時発音数**  
128 音
- **波形メモリ**  
64MB (16 ビットリニア換算)
- **拡張スロット**  
ウェーブ・エクスパンション・ボード  
SR-JV80 シリーズ 最大 4 枚  
  
新ウェーブ・エクスパンション・ボード SRX シリーズ 最大 2 枚
- **プリセット・メモリー**  
パッチ 768 (128 x 6 バンク)  
+ GM レベル 2 パッチ 256
- **ユーザ・メモリー**  
パッチ 128
- **パフォーマンス 64**  
(32 x 2 バンク)
- **リズムセット 12** (2 x 6 バンク)  
+ GM レベル 2 リズムセット 4
- **パフォーマンス 64**
- **リズムセット 4**
- **外部メモリー**  
スマート・メディア・カード 1  
スロット  
(2 - 128MB, 5/3.3 V 両対応)
- **エフェクト**  
マルチ・エフェクト (MFX) 63 種類  
  
リバーブ 4 種類  
  
コーラス 2 種類
- **ディスプレイ**  
40 桁 2 行 (バック照明付き LCD)
- **接続端子**  
A (MIX) アウトプット (L (MONO), R)、  
B アウトプット (L, R)、  
C アウトプット (L, R) もしくは  
インディビジュアル 1-6、  
ヘッドホン・ジャック、  
MIDI コネクター (IN, OUT, THRU)
- **電源**  
AC100/117/230/240V, 50/60Hz
- **消費電力**  
13W
- **外形寸法**  
482 (幅) x 281 (奥行) x  
88 (高さ) mm  
(EIA-2U ラック・マウント・タイプ)
- **重量**  
約 4.4 kg
- **付属品**  
取扱説明書 : 和文 (71560545)  
: 英文 (71562378)  
電源コード (00894367)  
保証書 (40232334)
- **別売品**  
ウェーブ・エクスパンション・ボード  
(SRX シリーズ, SR-JV80 シリーズ)  
MIDI/SYNC ケーブル (MSC-15/25/50)



Copyright © 2000 ROLAND CORPORATION

All rights reserved. No part of this publication may be reproduced in any form without the written permission of ROLAND CORPORATION.  
本書の一部、もしくは全部を無断で複写・転載することを禁じます。

LOCATION OF CONTROLS/ パネル配置図



LOCATION OF CONTROLS PARTS LIST/ パネル配置図パーツリスト

Front panel parts list / フロントパネル パーツリスト

NO.	PART CODE	PART NAME	DESCRIPTION	Q'TY
①	02016067	6.5MM JACK	YKB22-5268	1
②	01670490	F C-KEYTOP	SX1H CLR	3
	02014190	TACT SWITCH	TC-0403 H=5.0	3
	00348490	LED (RED)	SLR-325VCT31	3
③	02011445	Y S-KEYTOP	SD4H BLK	4
	02014190	TACT SWITCH	TC-0403 H=5.0	16
	00348490	LED (RED)	SLR-325VCT31	16
④	01670490	F C-KEYTOP	SX1H CLR	1
	02014190	TACT SWITCH	TC-0403 H=5.0	1
⑤	02011478	Y S-KEYTOP	SX3H BLK	3
	02014190	TACT SWITCH	TC-0403 H=5.0	9
⑥	02011412	Y S-KEYTOP	SD1H BLK	1
	02014190	TACT SWITCH	TC-0403 H=5.0	1
	00348490	LED (RED)	SLR-325VCT31	1
⑦	01780834	F C-KEYTOP	SX4H CLR	2
	02014190	TACT SWITCH	TC-0403 H=5.0	8
	00560745	LED (GREEN)	SLR-325MCT31	8
⑧	01786712	ESCUTCHEON		1
	01780712	CARD CONECTR	CN015P-3013-0	1
⑨	22495565	F S-BUTTON	MX BLK	1
	02013567	PUSH SWITCH	ESB92S21B TV-5 5A/250V	1
⑩	01459789	BUTTON ESCUTCHEON	F B-ESCT MX1H-A BLK	1
⑪	01670490	F C-KEYTOP	SX1H CLR	2
	02014190	TACT SWITCH	TC-0403 H=5.0	2
	00560745	LED (GREEN)	SLR-325MCT31	2
⑫	02013090	F C-KEYTOP	MX1H CLR	1
	02014190	TACT SWITCH	TC-0403 H=5.0	1
	02011856	LED	SLR-56DCT32	1
⑬	22480321	S R-KNOB	L BLK 248-321	1
	02014145	ROTARY ENCODER	EC16B36244 (L=20.DCUT=7)	1
⑭	02014567	LCD	L4052B1J000 WITH HARNESS	1
	02013190	DISPLAY COVER		1
⑮	01899212	P R-KNOB	MF-A BLK/LCG	1
	02013656	9M/M ROTARY POTENTIOMETER	RK0971224 10KBX2 W/SW	1

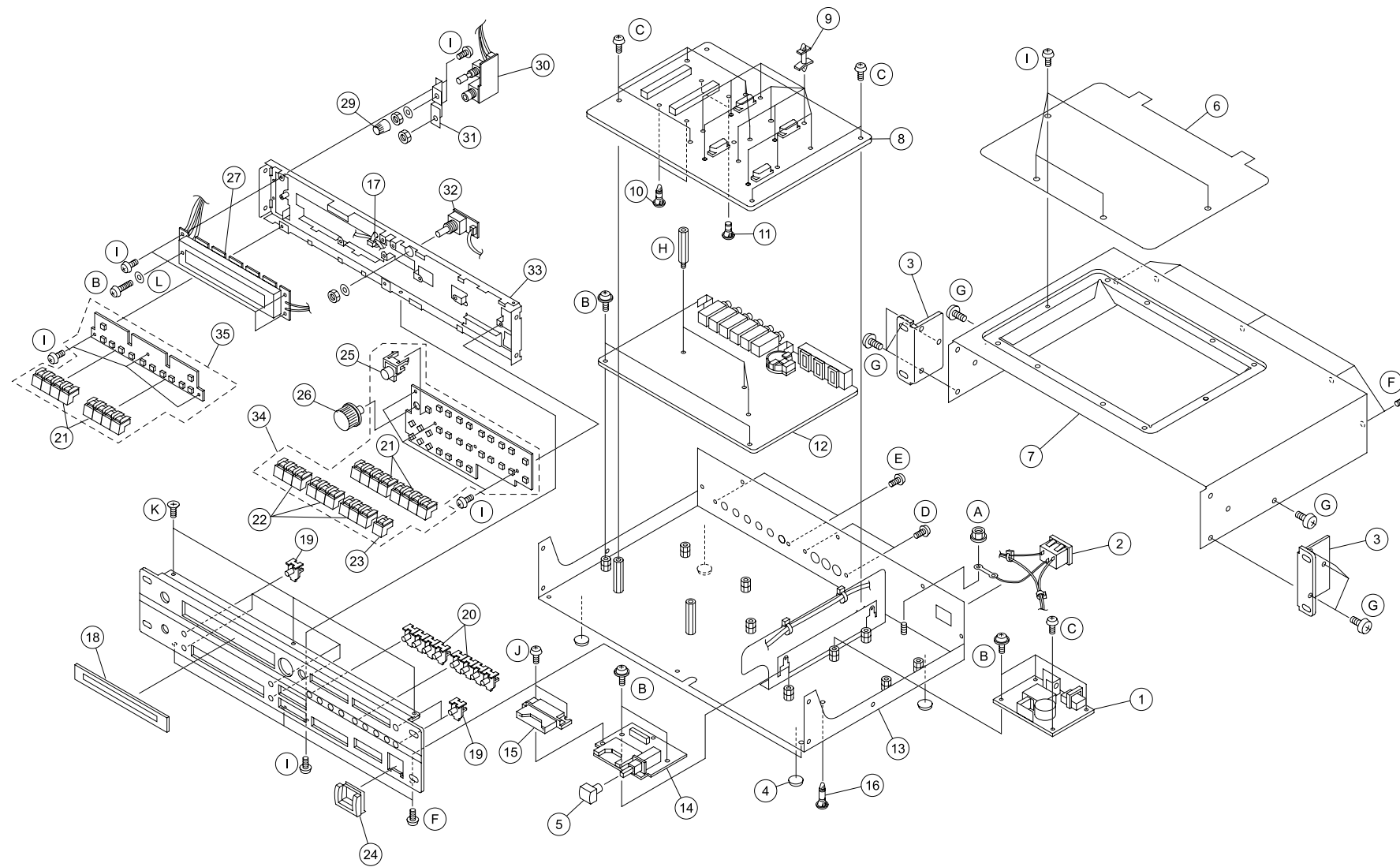
Rear panel parts list / リアパネル パーツリスト

NO.	PART CODE	PART NAME	DESCRIPTION	Q'TY
①	02014545	WIRING	W1	1
②	13429273	MIDI CONNECTOR	YKF51-5046 (TRIPRET)	1
③	13449283	6.5MM JACK	HLJ7101-01-3010	6
④	12359137	RUBBER FOOT	SJ-5012 BLK	4

[SCREW]

NO.	PART CODE	PART NAME	DESCRIPTION	Q'TY
A	40011101	SCREW 3X8	BINDING TAPTITE B FE BZC	5
B	40011312	SCREW 3X8	BINDING TAPTITE P FE BZC	2
C	40011501	SCREW M3X8	PAN MACHINE W/SW FE BZC	2

EXPLODED VIEW/ 分解図



[SCREWS]

No.	PART CODE	PART NAME	DESCRIPTION
(A)	40011745	HEX NUT M4	SPRING NUT FE ZC
(B)	40013067	SCREW M3X8	PAN MACHINE W/SW+SMALL PW FE ZC
(C)	40015945	SCREW 3X8	BINDING TAPTITE S FE ZC
(D)	40011312	SCREW 3X8	BINDING TAPTITE P FE BZC
(E)	40011501	SCREW M3X8	PAN MACHINE W/SW FE BZC
(F)	40011101	SCREW 3X8	BINDING TAPTITE B FE BZC
(G)	40012345	SCREW 4X10	BINDING TAPTITE B FE BZC
(H)	02126734	BOSS NUT M3/M3	L28.6
(I)	40011090	SCREW 3X6	BINDING TAPTITE B FE BZC
(J)	40011278	SCREW 3X8	BINDING TAPTITE P FE ZC
(K)	40011156	SCREW 3X8	FLAT TAPTITE B FE BZC
(L)	40011856	INSULATING WASHER	FIBER-W 3X8X0.8

EXPLODED VIEW PARTS LIST/ 分解図パーツリスト

[PARTS]

No.	PART CODE	PART NAME	DESCRIPTION
①	01785823	SWITCHING REGULATOR	A1DU2L3B034
②	02014545	WIRING	W1
③	22125586	RACK ANGLE	2U
④	12359137	RUBBER FOOT	SJ-5012 BLK
⑤	22495565	F S-BUTTON	MX BLK
⑥	02013212	EXP COVER	
⑦	02013201	TOP COVER	
⑧	71560467	EXP BASE BOARD ASSY	
EXP BASE BOARD ASSY include the following parts			
EXP BASE BOARD ASSY は、以下のパーツを含みます。			
⑨	12189810	PCB SPACER	WLS-14-094VO
⑩	02019034	PWB SPACER RSPLS-12L	
⑪	01902756	PWB SPACER RSPS-12L	
⑫	71560434	MAIN BOARD ASSY	(EXG)
⑬	02013056	BOTTOM CHASSIS	
⑭	71561512	MEDIA ASSY	
MEDIA ASSY include the following parts			
MEDIA ASSY は、以下のパーツを含みます。			
⑮	01786712	ESCUTCHEON	
⑯	12199562	PCB SPACER	KGLS-10R (BLACK)
⑰	40016512	INSULOK TIE	80M/M T-18S
⑱	02013178	FRONT PANEL	
⑲	01670490	F C-KEYTOP	SX1H CLR
⑲	01780834	F C-KEYTOP	SX4H CLR
⑲	02011445	Y S-KEYTOP	SD4H BLK
⑲	02011478	Y S-KEYTOP	SX3H BLK
⑲	02011412	Y S-KEYTOP	SD1H BLK
⑲	01459789	BUTTON ESCUTCHEON	F B-ESCT MX1H-A BLK
⑲	02013090	F C-KEYTOP	MX1H CLR
⑲	22480321	S R-KNOB	L BLK 248-321
⑲	02014567	LCD	L4052B1J000 WITH HARNESS
⑲	02013190	DISPLAY COVER	
⑲	01899212	P R-KNOB	MF-A BLK/LCG
⑳	71560523	PHONES HOLDER ASSY	
㉑	02013145	PHONES HOLDER	
㉒	71560512	ENCODER BOARD ASSY	
㉓	02013156	FRONT HOLDER	
㉔	71561845	PANEL-A KEYTOP ASSY	
㉕	71561856	PANEL-B KEYTOP ASSY	

# PARTS LIST / パーツリスト

<p><b>SAFETY PRECAUTION: *1</b></p> <p>The parts marked <math>\Delta</math> have safety-related characteristics. Use only listed parts for replacement.</p> <p><b>安全上の注意: *1</b></p> <p><math>\Delta</math>が付いている部品は、安全上特別な規格でつくられたものです。交換の際は、指定された部品番号以外の部品は使わないようにして下さい。</p>	<p>The parts marked # are new (initial parts). *2</p> <p>#の付いた部品は新規部品です。*2</p>	<p><b>CONSIDERATIONS ON PARTS ORDERING</b></p> <p>When ordering any parts listed in the parts list, please specify the following items in the order sheet.</p> <table border="1"> <thead> <tr> <th>QTY</th> <th>PART NUMBER</th> <th>DESCRIPTION</th> <th>MODEL NUMBER</th> </tr> </thead> <tbody> <tr> <td>Ex 10</td> <td>22575241</td> <td>Sharp key</td> <td>C-20/50</td> </tr> <tr> <td>15</td> <td>2247017300</td> <td>Knob (orange)</td> <td>DAC-15D</td> </tr> </tbody> </table> <p>Failure to completely fill the above items with correct number and description will result in delayed or even undelivered replacement.</p> <p><b>パーツ発注に関するお願い</b></p> <p>オーダーシートには、必ず下記の4項目は正確に記入して下さい。(例外は除く)</p> <table border="1"> <thead> <tr> <th>必要数</th> <th>パーツナンバー</th> <th>品名</th> <th>使用機種</th> </tr> </thead> <tbody> <tr> <td>例) 10</td> <td>22575241</td> <td>Sharp key</td> <td>C-20/50</td> </tr> <tr> <td>15</td> <td>2247017300</td> <td>Knob (orange)</td> <td>DAC-15D</td> </tr> </tbody> </table> <p>もし記入忘れ、誤記等がある場合、必要部品が発送できなかったり、大幅な遅れの原因になります。御協力をお願いします。</p>	QTY	PART NUMBER	DESCRIPTION	MODEL NUMBER	Ex 10	22575241	Sharp key	C-20/50	15	2247017300	Knob (orange)	DAC-15D	必要数	パーツナンバー	品名	使用機種	例) 10	22575241	Sharp key	C-20/50	15	2247017300	Knob (orange)	DAC-15D
QTY	PART NUMBER	DESCRIPTION	MODEL NUMBER																							
Ex 10	22575241	Sharp key	C-20/50																							
15	2247017300	Knob (orange)	DAC-15D																							
必要数	パーツナンバー	品名	使用機種																							
例) 10	22575241	Sharp key	C-20/50																							
15	2247017300	Knob (orange)	DAC-15D																							

\*1 \*2  
↓ ↓ Q'ty

## CASING / ケース

	22125586	RACK ANGLE	2U	2
#	02013078	PWR SPLY COVER		1
#	02013212	EXP COVER		1
#	02013201	TOP COVER		1
#	02013190	DISPLAY COVER		1
	01459789	BUTTON ESCUTCHEON	F B-ESCT MX1H-A BLK	1
#	02013178	FRONT PANEL		1

## CHASSIS / シャーシ

#	02013056	BOTTOM CHASSIS		1
#	02013156	FRONT HOLDER		1

## KNOB, BUTTON / つまみ、ボタン

	22495565	F S-BUTTON	MX BLK	1
	01780834	F C-KEYTOP	SX4H CLR	2
	01670490	F C-KEYTOP	SX1H CLR	6
	01899212	P R-KNOB	MF-A BLK/LCG	1
	22480321	S R-KNOB	L BLK 248-321	1

## SWITCH / スイッチ

$\Delta$ #	02013567	ESB92S21B TV-5 5A/250V	PUSH SWITCH	SW46 on Media Board	1
#	02014190	TC-0403 H=5.0	TACT SWITCH	SW11,SW16,SW25,SW26,SW15,SW28,SW29,SW30,SW32,SW33,SW34,SW35,SW36,SW27,SW7,SW31,SW10,SW8,SW6,SW5,SW4,SW14,SW2,SW1,SW12,SW9,SW13,SW37,SW3 on Panel-A Board,SW38,SW39,SW18,SW24,SW23,SW22,SW41,SW21,SW20, SW19,SW17,SW40 on Panel-B Board	29+12

## JACK, SOCKET / ジャック、ソケット

	13429273	YKF51-5046 (TRIPRET)	MIDI CONNECTOR	JK8 on Main Board	1
	13449283	HLJ7101-01-3010	6.5MM JACK	JK10,JK11,JK9,JK13,JK14,JK12 on Main Board	6
	01780712	CN015P-3013-0	CARD CONECTR	CN7 on Media Board	1
#	02016067	YKB22-5268	6.5MM JACK	JK1 on Phones Board	1

## DISPLAY UNIT / 表示ユニット

#	02014567	L4052B1J000 WITH HARNESS LCD		1
NOTE: Replacement L4052B1J000 WITH HARNESS should be made on a unit base.				
注意: L4052B1J000 WITH HARNESS の交換は、ユニット単位で行って下さい。補修品は、ユニット単位。				

## POWER SUPPLY UNIT / 電源ユニット

$\Delta$	01785823	A1DU2L3B034	SWITCHING REGULATOR	1
NOTE: Replacement A1DU2L3B034 should be made on a unit base.				
注意: A1DU2L3B034 の交換は、ユニット単位で行って下さい。補修品は、ユニット単位。				

## PCB ASSY / 基板完成品

#	$\square$ 71560434	MAIN BOARD ASSY	(EXG)	1
NOTE: 'MAIN BOARD ASSY' includes the following parts.				
注意: 補修用 MAIN BOARD ASSY は、下記の部品を含みます。				
	12199584	GROUNDING TERMINAL	M1698	2
	40342856	COATING CLIP	CP-1S	3
#	71560467	EXP BASE BOARD ASSY		1
NOTE: 'EXP BASE BOARD ASSY' includes the following parts.				
注意: 補修用 EXP BASE BOARD ASSY は、下記の部品を含みます。				
	12189810	PCB SPACER	WLS-14-094VO	12
#	02019034	PWB SPACER RSPLS-12L		2
#	01902756	PWB SPACER RSPS-12L		2
#	71561512	MEDIA ASSY		1
NOTE: 'MEDIA ASSY' includes the following parts.				
注意: 補修用 MEDIA ASSY は、下記の部品を含みます。				
	01786712	ESCUTCHEON		1
	40011278	SCREW M3X8	BINDING P-TITE FE ZC	2
$\Delta$ #	71560512	ENCODER BOARD ASSY		1
NOTE: 'ENCODER BOARD ASSY' includes the following parts.				
注意: 補修用 ENCODER BOARD ASSY は、下記の部品を含みます。				
#	02015734	WIRING	4X150-P2.0-51065-51015-F	1
			CN2 on Encoder Board	
$\Delta$ #	71560523	PHONES HOLDER ASSY		1
NOTE: 'PHONES HOLDER ASSY' includes the following parts.				
注意: 補修用 PHONES HOLDER ASSY は、下記の部品を含みます。				
#	02013145	PHONES HOLDER		1
#	02015712	WIRING	11X210-P2.0-51065-51015-F	1
			CN5 on Phones Board	
$\Delta$ #	71561845	PANEL-A KEYTOP ASSY		1
NOTE: 'PANEL-A KEYTOP ASSY' includes the following parts.				
注意: 補修用 PANEL-A KEYTOP ASSY は、下記の部品を含みます。				
#	02011478	Y S-KEYTOP	SX3H BLK	3
#	02011445	Y S-KEYTOP	SD4H BLK	2
#	02013090	F C-KEYTOP	MX1H CLR	1
#	02011412	Y S-KEYTOP	SD1H BLK	1
$\Delta$ #	71561856	PANEL-B KEYTOP ASSY		1
NOTE: 'PANEL-B KEYTOP ASSY' includes the following parts.				
注意: 補修用 PANEL-B KEYTOP ASSY は、下記の部品を含みます。				
#	02011445	Y S-KEYTOP	SD4H BLK	2

## IC

#	02010034	HD6437042F33(VER1.00)	IC (32BIT CPU)	IC3 on Main Board	1
	01679978	RA09-002XP6TC203C180AF002	IC (CUSTOM)	IC93,IC92 on Main Board	2
	01342978	TC160G22AF-1253	IC (CUSTOM)	IC4 on Main Board	1
	01902212	UPD431000AGW-70LL-E2	IC (SRAM)	IC6,IC84 on Main Board	2
	01906712	LC324260AJ-60-TLM	IC (DRAM)	IC96,IC95 on Main Board	2
	02010290	VG2618165CJ-6-EL-10	IC (DRAM)	IC5 on Main Board	1
#	02010023	UPD23C128040LGY-849-MJH	IC (MASK ROM)	IC26 on Main Board	1
#	02010056	UPD23C128040LGY-850-MJH	IC (MASK ROM)	IC29 on Main Board	1
	01561945	LH28F160S5T-L70	IC (FLASH MEMORY)	IC1 on Main Board	1
	01451578	AK4324-VF-E2	IC (DAC)	IC71,IC74,IC79 on Main Board	3
	15269219H0	HD74LS05FPEL	IC (TTL)	IC86 on Main Board	1
	15259823T0	TC74HC574AF(EL)	IC (CMOS)	IC58 on Main Board	1
	15259708T0	TC74HC08AF(TP2)	IC	IC89 on Main Board	1
	15259716T0	TC74HC32AF(TP2)	IC (HS-CMOS)	IC63 on Main Board	1
	15259758T0	TC74HC175AF(EL)	IC	IC100 on Main Board	1
	15259714T0	TC74HC27AF(EL)	IC (HS-CMOS)	IC97 on Main Board	1
	15259884	TC7S08F(TE85L)	IC (CMOS)	IC76 on Main Board	1
	15259769T0	TC74HC238AF(EL)	IC (CMOS)	IC57 on Main Board	1
	15249111	TC7WU04F(TE12L)	IC (CMOS)	IC94,IC7 on Main Board	2



	15249112	TC7W32F(TE12L)	IC (CMOS)	IC17 on EXP Base Board,IC90 on Main Board	1+1
	01121845	TC7W04FU TE12L	IC(CMOS)	IC101 on Main Board	1
#	02124934	TC74VHC541FTEL	IC (CMOS)	IC103 on Main Board	1
	01670789	TC74VHCT08AF	IC (CMOS)	IC60 on Main Board	1
	01783523	TC74VHCT245AFT(EL)	IC (CMOS)	IC102,IC104 on Main Board	2
	00670290	TC74VHC139F(EL)	IC (CMOS)	IC105 on Main Board	1
	00564701	TC7SH08F(TE85L)	IC (CMOS)	IC99 on Main Board	1
	15289106	M5238AFP-600C	IC (OP AMP) JFET	IC9 on Main Board	1
	15289117	NJM5532MD-TE1	IC (OP AMP)	IC1 on Phones Board ,IC73,IC72,IC80,IC75, IC78,IC70 on Main Board	1+6
	15189261	M5218AFP-600E	IC (BIPOLAR OP AMP)	IC69 on Main Board	1
	15199137	AN7805F	IC (V.RGL)	IC68,IC77 on Main Board	2
	15199286	AN78L05M-(E1)	IC (REGULATOR)	IC67 on Main Board	1
	01458445	UPC29M33T-T1	IC (REGULATOR)	IC15 on EXP Base Board,IC91 on Main Board	1+1
	01899790	UPC29L33T-E2	IC (REGULATOR)	IC66 on Main Board	1
	15289123	M51953AFP-600C	IC (RESET)	IC10 on Main Board	1
	15289125	PC-410KT 178FAY	IC (PHOTO COUPLER)	IC87 on Main Board	1
	00231889	TC74VHC32F(EL)	IC (CMOS)	IC4 on EXP Base Board	1
	00236834	TC74VHC21F(EL)	IC	IC14 on EXP Base Board	1
	00567534	TC74VHC138F(EL)	IC (CMOS)	IC3,IC1 on EXP Base Board	2
	01122267	TC74VHCT245F(EL)	IC	IC10,IC2,IC5,IC6,IC7,IC13,IC9,IC11,IC12,IC8 on EXP Base Board	10

**TRANSISTOR / トランジスター**

	15309113	2SA1213-O(TE12R.C)	TRANSISTOR	Q32 on Main Board	1
	01121278	2SA1576A T106 QRS	TRANSISTOR	Q1 on Main Board	1
	00901523	2SA1681 (SC-62)(POW SW)	TRANSISTOR	Q23 on Main Board	1
	15319101	2SC2412KR T146	TRANSISTOR	Q24,Q35,Q25 on Main Board	3
	15319105	2SC3326-A	TRANSISTOR	Q19,Q21,Q28,Q18,Q20,Q17,Q27,Q22 on Main Board	8
	15319114	2SC2873-Y(TE12R.C)	TRANSISTOR	Q31 on Main Board	1
	01783612	RN2426(TE85L)	TRANSISTOR	Q6,Q16,Q3,Q4,Q5 on Main Board	5
	00239801	DTA114EU T-106	TRANSISTOR	Q33 on Main Board	1
	15329521	RN1307(TE85R)	TRANSISTOR	Q26,Q2 on Main Board	2
	01451245	RN1414(TE85L)	TRANSISTOR	Q7,Q10,Q9,Q8,Q12,Q13,Q14,Q11 on Main Board	8

**DIODE / ダイオード**

	01017512	RB411D T146	SCHOTTKY DIODE	D8 on Main Board	1
	15339130	MA142WK-(TX)	ARRAY DIODE	DA4 on Main Board	1
	02233890	DCB010-TB	ARRAY DIODE	D6 on Main Board	1
	01897189	MA147-(TX)	ARRAY DIODE	DA16,DA19 on Main Board	2
	01456456	TE-17 13B	ZENER DIODE	D5 on Main Board	1
	15339109	DAP202K T146 (CHIP)	ARRAY DIODE	DA6,DA17,DA2,DA3,DA4,DA5,DA1,DA7,DA8,DA11, DA12,DA13,DA14,DA16,DA15 on Panel-A Board, DA21,DA20,DA19, DA18,DA10,DA9 on Panel-B Board	15+6
	00348490	SLR-325VCT31	LED (RED)	LED27,LED1,LED2,LED3,LED4,LED5,LED6, LED7,LED8 on Panel-A Board,LED24,LED17, LED18,LED19,LED20,LED21,LED23,LED26, LED30,LED31, LED22 on Panel-B Board	9+11
	00560745	SLR-325MCT31	LED (GREEN)	LED28,LED15,LED13,LED12,LED11,LED29, LED9,LED16,LED10,LED14 on Panel-A Board	10
	02011856	SLR-56DCT32	LED	LED25 on Panel-A Board	1

**RESISTOR / 抵抗**

#	02124945	MCR100 JZH J 3R9	MTL.FILM RESISTOR	R403 on Main Board	1
	00567412	RPC05T 104 J	MTL.FILM RESISTOR	R35 on Main Board	1
	15399301	RPC10T 0R0 J	MTL.FILM RESISTOR	R6,R8,R2,R4,R5 on EXP Base Board,R237, R162 on Main Board	5+2
	00567456	RPC05T 224 J	MTL.FILM RESISTOR	R311 on Main Board	1
	00567289	RPC05T 103 J	MTL.FILM RESISTOR	R334,R333,R346,R340,R341,R345,R357,R358,R365, R372,R150,R332,R366,R6,R155,R331,R3,R4,R19, R23,R25,R29,R30,R148,R149,R309,R154,R158,R159, R160,R294,R301,R303,R304,R306 on Main Board	35
	15399713	MCR25 JZH J 101	MTL.FILM RESISTOR	R143,R140,R147,R146,R144,R142,R141, R145 on Main Board	8
	00566912	RPC05T 220 J	MTL.FILM RESISTOR	R406,R405 on Main Board	2
	15399373	RPC10T 101 J 1/10W	MTL.FILM RESISTOR	R1,R5 on Phones Board ,R355,R354,R353,R351, R350,R220,R219,R352 on Main Board	2+8
	15399381	RPC10T 221 J 1/10W	MTL.FILM RESISTOR	R216 on Main Board	1
	15399393	RPC10T 681 J 1/10W	MTL.FILM RESISTOR	R192,R200,R209,R229,R240,R187 on Main Board	6
	15399397	RPC10T 102 J 1/10W	MTL.FILM RESISTOR	R3,R6 on Phones Board ,R183,R222, R169 on Main Board	2+3
	15399401	RPC10T 152 J 1/10W	MTL.FILM RESISTOR	R221 on Main Board	1
	15399409	RPC10T 332 J 1/10W	MTL.FILM RESISTOR	R245,R234,R214,R205,R196,R191 on Main Board	6
	15399411	RPC10T 392 J 1/10W	MTL.FILM RESISTOR	R243,R212,R232,R228,R208,R203,R199, R185,R184,R171,R170,R239 on Main Board	12
	15399415	RPC10T 562 J 1/10W	MTL.FILM RESISTOR	R174,R163 on Main Board	2
	15399419	RPC10T 822 J 8.2K OHM 1/ 10W	MTL.FILM RESISTOR	R188,R230,R201,R231,R241,R242,R210,R202, R175,R189,R193,R211,R194,R164 on Main Board	14
	15399421	RPC10T 103 J 1/10W	MTL.FILM RESISTOR	R8,R4 on Phones Board,R10,R11 on EXP Base Board,R233,R168,R182,R190,R195,R204,R213, R217,R244 on Main Board	2+2+9
	15399425	RPC10T 153 J	MTL.FILM RESISTOR	R206,R226,R235,R167,R172,R181,R198,R207, R215,R246,R238,R186 on Main Board	12
	15399445	RPC10T 104 J 1/10W	MTL.FILM RESISTOR	R218 on Main Board	1
	15399952	MCR50JZH470 1/2W	CHIP RESISTOR	R2,R7 on Phones Board ,R166,R180 on Main Board	2+2
	01011856	RPC05T 0R0 J	MTL.FILM RESISTOR	R20,R315,R9,R16,R21,R270,R318,R319, R320,R371,R322,R323,R325,R336,R360, R321,R224,R404 on Main Board	18
	00566867	RPC05T 100 J	MTL.FILM RESISTOR	R22,R339,R347,R24,R348,R338 on Main Board	6
	00567023	RPC05T 101 J	MTL.FILM RESISTOR	R328,R327,R299,R151,R329,R330 on Main Board	6
	00567034	RPC05T 121 J	MTL.FILM RESISTOR	R300 on Main Board	1
	00567067	RPC05T 221 J	MTL.FILM RESISTOR	R296,R295,R298,R12,R297 on Main Board	5
	00567078	RPC05T 271 J	MTL.FILM RESISTOR	R317 on Main Board	1
	00567112	RPC05T 471 J	MTL.FILM RESISTOR	R17 on Main Board	1
	00567156	RPC05T 102 J	MTL.FILM RESISTOR	R153,R152,R8,R32 on Main Board	4
	00567212	RPC05T 332 J	MTL.FILM RESISTOR	R13 on Main Board	1
	00567245	RPC05T 472 J	MTL.FILM RESISTOR	R302,R307,R314,R313 on Main Board	4
	00567323	RPC05T 223 J	MTL.FILM RESISTOR	R359,R63 on Main Board	2
	00567378	RPC05T 473 J	MTL.FILM RESISTOR	R223,R225 on Main Board	2
	00567556	RPC05T 105 J	MTL.FILM RESISTOR	R15,R316 on Main Board	2
	00908389	MCR100JZH J 331	MTL.FILM RESISTOR	R266,R267,R268,R269 on Main Board	4
	01013923	EXBV8V100JV	RESISTOR ARRAY	RA103,RA104,RA106,RA108,RA109,RA111, RA102,RA105,RA110,RA75,RA107,RA74, RA80,RA81,RA82,RA96,RA97,RA98,RA99, RA101,RA100,RA73 on Main Board	22
	15409113	EXBV8V103JV	RESISTOR ARRAY	RA79,RA86,RA87,RA88,RA89,RA93,RA92 on Main Board	7
	01457145	EXBE10C103J	RESISTOR ARRAY	RA17,RA76,RA78,RA83,RA84,RA3,RA85,RA2, RA112,RA16 on Main Board	10
	01013578	EXBV8V470JV	RESISTOR ARRAY	RA14,RA15 on Main Board	2
	00126112	EXBV8V101JV	RESISTOR ARRAY	RA90,RA91 on Main Board	2
	15399917	MNR34J5ABJ103	RESISTOR ARRAY	RA26 on EXP Base Board	1
#	02013489	MNR35J5RJ103	RESISTOR ARRAY	RA10,RA8,RA4,RA2,RA1,RA12 on EXP Base Board	6

**POTENTIOMETER / ポリウム**

#	02013656	RK0971224 10K BX2 W/SW	9M/M ROTARY POTENTIOMETER VR1 on Phones Board	1
---	----------	------------------------	---	---

**CAPACITOR / コンデンサー**

	01672423	GRM40CH101J50PT	CERAMIC CAPACITOR	C1,C5 on Phones Board ,C439,C445,C276,C443,C437,C441,C435 on Main Board	2+7
	15359707	ECUV1H104KN 0.1	CAPACITOR	C227,C215,C238,C231,C223,C205,C206,C208,C209,C236,C330,C271,C273,C275,C278,C279,C284,C293,C296,C298,C300,C243,C304,C241,C332,C334,C336,C338,C266,C263,C260,C219,C268,C250,C302 on Main Board	35
#	02129534	ECJ1VB1H102K	CERAMIC CAPACITOR	C431,C182,C432,C430,C429,C428,C427,C426,C183,C181,C180,C179,C178,C425 on Main Board	14
	01674334	ECUV1H101JCV	CERAMIC CAPACITOR	C186,C185,C39,C187,C184 on Main Board	5
	01674190	ECUV1H150JCV	CERAMIC CAPACITOR	C354,C407,C355,C347,C353,C352,C351,C350,C348,C420,C346,C345,C33,C32,C349,C406 on Main Board	16
	01349312	GRM39F105Z10PT	CERAMIC CAPACITOR	C41 on Main Board	1
	00567978	GRM39F104Z25PT	CERAMIC CAPACITOR	C417,C424,C433,C447,C448,C410-415,C405,C402,C198,C367,C46,C107,C108,C177,C188,C192,C194,C44,C197,C43,C200-203,C341,C404,C343,C403,C357,C360,C366,C195,C14,C3-10,C45,C13,C344,C15-17,C20,C22-24,C27,C28,C30,C34,C11,C394,C387,C342,C389-391,C369,C393,C395-C401,C392,C370-386 on Main Board	94
	01675367	GRM39CH471J50PT	CERAMIC CAPACITOR	C29 on Main Board	1
	00566856	GRM39SL681J50PT	CERAMIC CAPACITOR	C362 on Main Board	1
	00567834	GRM39B122K50PT	CERAMIC CAPACITOR	C363 on Main Board	1
	00567945	GRM39B103K50PT	CERAMIC CAPACITOR	C191,C190,C189,C19 on Main Board	4
	00239390	AMZV0050J561 0200	POLYEST. CAPACITOR	C246,C261,C234,C294,C287,C254 on Main Board	6
	00239412	AMZV0050J122 0200	POLYEST. CAPACITOR	C244,C291,C282,C249,C232,C258 on Main Board	6
	02014923	RA2-35V470MT2	CHEMICAL CAPACITOR	C331 on Main Board	1
#	02124923	RV3-25V470MZ7-R	CHEMICAL CAPACITOR	C274 on Main Board	1
	01454889	RA2-16V470MT2 470UF/16V	CHEMICAL CAPACITOR	C335,C339 on Main Board	2
	01900823	RA2-16V100M-T2	CHEMICAL CAPACITOR	C286,C277,C204,C207,C216,C217,C251,C252,C285 on Main Board	9
	01564778	RV2-16V100MZ7-R 10UF/16V	CHEMICAL CAPACITOR	C422,C423,C421,C418,C368,C365,C356,C199,C37,C26,C25,C18,C202 on Main Board	13
	01783489	RV2-16V470MZ7-R	CHEMICAL CAPACITOR	C434 on Main Board	1
	01893656	ROS-16V101M-T2	CHEMICAL CAPACITOR	C337,C333 on Main Board	2
	01900834	RA2-16V101M-T2	CHEMICAL CAPACITOR	C3,C7 on Phones Board ,C226,C233,C228,C220,C214,C210,C283,C211,C259,C253,C292,C245 on Main Board	2+12
	01783467	RV2-16V101MZ7-R	CHEMICAL CAPACITOR	C269,C264 on Main Board	2
	15359206R0	GRM40F104Z25PT10	CERAMIC CAPACITOR	C19,C14,C16,C13,C18,C9,C20,C21,C17,C12,C10,C4,C3,C2,C1,C46,C22,C11,C48,C56,C54,C52,C42,C49,C23,C47,C43,C41,C40,C25,C51,C24,C28,C29,C32,C33,C34,C35,C36,C37 on EXP Base Board	40
	13639150M0	ECEA1CK5100B 10UF/16V	CHEMICAL CAPACITOR	C6,C5,C8,C26,C27,C50,C53,C7 on EXP Base Board	8
	13639558	ECEA1CK5101B 100MF/16V	CAPACITOR	C15 on EXP Base Board	1
	15359615R0	GRM40CH680J50PT10	CERAMIC CAPACITOR	C4,C8 on Phones Board	2
	15359707R0	GRM40F104Z50PT85 0.1UF/50V	CERAMIC CAPACITOR	C2,C6 on Phones Board	2

**INDUCTOR, COIL, FILTER / インダクター、コイル、フィルター**

	00903167	N2012Z601T02 (CHIP)	FERRITE-BEAD	L1,L2,L3 on Phones Board ,L16,L22,L20,L19,L17,L14,L13,L11,L24,L30,L28,L26,L18 on Main Board	3+13
--	----------	---------------------	--------------	---	------

**CRYSTAL, RESONATOR / クリスタル、発振子**

	01893790	MA-406 8.25MHZ	CRYSTAL	X1 on Main Board	1
	00901912	MA-406 24.576MHZ TE24	CRYSTAL	X2 on Main Board	1

**ENCODER / エンコーダー**

	02014145	EC16B36244 (L=20.DCUT=7)	ROTARY ENCODER	EN1 on Encoder Board	1
--	----------	--------------------------	----------------	----------------------	---

**CONNECTOR / コネクター**

#	01908667	CONNECTOR	22FE-BT-VK-N	CN11 on Main Board	1
	01908656	CONNECTOR	18FE-BT-VK-N	CN19 on Main Board	1
#	02018990	CONNECTOR	34FE-BT-VK-N	CN2,CN1 on EXP Base Board,CN21,CN3 on Main Board	2+2
#	02019012	CONNECTOR	26FE-BT-VK-N	CN14 on Main Board	1
	13369933	CONNECTOR	53253-1110 (2MM PITCH)	CN16 on Main Board	1
	13369936	CONNECTOR	53253-1410 (2MM PITCH)	CN20 on Main Board	1
	13369925	CONNECTOR	53253-0310 (3P)	CN22 on Main Board	1
	13369926	CONNECTOR	53253-0410 (2MM PITCH)	CN12 on Main Board	1
	13369592	CONNECTOR	B7B-XH-A(7P) JST	CN18 on Main Board	1
#	02010078	CONNECTOR	TX25-80P-6ST-E1	CN8,CN7 on EXP Base Board	2
	13429833	CONNECTOR	52411-0402 40P	CN3,CN6,CN5,CN4 on EXP Base Board	4
	01679256	FFC/FPC CONNECTOR	52045-2645	CN6 on Media Board	1
	13369898	CONNECTOR	B2P3-VH 7A/250V	CN3 on Media Board	1
#	02015878	CONNECTOR	52045-2245	CN1 on Panel-A Board	1
#	02015889	CONNECTOR	52045-1845	CN4 on Panel-B Board	1

**WIRING, CABLE / ワイヤリング、ケーブル**

#	02124823	WIRING	7X200-P2.5-XHP-XHP-F	1
△ #	02014545	WIRING	W1	1
#	02124845	BAN CARD	BNCD-P=1.25-K-18-150	1
#	02124856	BAN CARD	BNCD-P=1.25-K-22-150	1
#	02129701	BAN CARD	BNCD-S-P=1.25-K-26-240 (W/O:GS)	1
	02120190	BAN CARD	BNCD-P=1.25-K-34-140	2

**SCREW / ねじ類**

	40012345	SCREW 4X10	BINDING TAPTITE B FE BZC	8
	40011101	SCREW 3X8	BINDING TAPTITE B FE BZC	8
	40011312	SCREW 3X8	BINDING TAPTITE P FE BZC	2
	40015945	SCREW 3X8	BINDING TAPTITE S FE ZC	8
	40013067	SCREW M3X8	PAN MACHINE W/SW+SMALL PW ZC	7+1
	40011501	SCREW M3X8	PAN MACHINE W/SW FE BZC	2
#	02126734	BOSS NUT M3/M3	L28.6	3
	40011745	HEX NUT M4	W/SPRING WASHER FECM	1
	40011090	SCREW 3X6	BINDING TAPTITE B BZC	2+4+13
	40011156	SCREW 3X8	FLAT TAPTITE B FE BZC	3
#	40011856	INSULATING WASHER	FIBER-W 3X8X0.8	1

**PACKING / 梱包材**

	01122167	PAD FOR PACKING	UPPER PAD	1
	01122178	PAD FOR PACKING	LOWER PAD	1
#	02014534	PACKING CASE		1

**MISCELLANEOUS / その他**

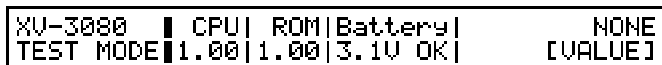
	12569249S0	LITHIUM BATTERY	CR2032 220MAH/3V	1
	12359137	RUBBER FOOT	SJ-5012 BLK	4
△	40126812	CAUTION LABEL	BARRIER(100V/117V ONLY)	1
	12199562	LOCKING CARD SPACER	KGLS-10R (BLACK)	1
	40016512	INSULOK TIE	80M/M T-18S	2
	12569420	LITHIUM BATTERY HOLDER	(HL32-A2) FOR CR2032 BT1 on Main Board	1
	40016523	INSULOK TIE 100M/M T-18R	<< ORDERING PER 1000 PCS >>	1
	40014589	WARNING SEAL 102-103		1

**ACCESSORIES (STANDARD) / 標準付属品**

△	00894367	AC CORD SET	100V SP18A+IS14 VCTF2X0.75	1
△	00894378	AC CORD SET	120V SP301+IS14 SJT18/3	1+1
△	00894389	AC CORD SET	230V SP22+IS14 H05VV-F3G1.0	1
△	23495124	AC CORD SET	240VA SC-144-JO1 ES303-10HMA	1
△	00907001	AC CORD SET	240VE KP-610 GTTBS-3 KS-31A	1
#	71560545	OWNER'S MANUAL	JAPANESE	1
#	71562378	OWNER'S MANUAL	ENGLISH	1
	40232334	保証書	JAPAN ONLY	1

## IDENTIFYING THE VERSION NUMBER

1. Turn on the XV-3080 power.
2. While holding down [EXIT], press [←] to enter the DEMO mode.
3. Press [VALUE] while holding down [↑] and [↓] at the same time, and the top page in the TEST mode will appear on the display. The version numbers of the CPU and ROM will appear on the display.



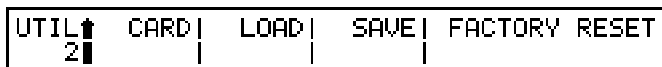
## SAVING AND LOADING THE USER DATA

### ○ Using the Smart Media

\* Before beginning the operation, format the Smart Media.

#### • Formatting Procedure

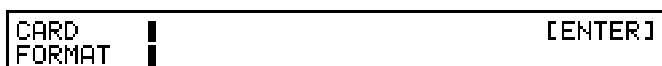
1. With the XV-3080 power off, insert the Smart Media in the memory card slot.
2. Turn on the XV-3080 power.
3. Press [UTILITY].
4. Use the [↓] cursor key to show the "UTIL2" screen.



5. Select "CARD" with the cursor keys and press [ENTER].



6. Select "FORMAT" with the cursor keys and press [ENTER].



7. Press [ENTER], and the display will show the following screen. Pressing [ENTER] again allows formatting to be performed.



8. When the formatting ends, the display will return to showing the screen in step 6. Pressing [EXIT] causes the format screen to disappear.

\* Before removing the Smart Media from the slot, turn off the XV-3080 power.

## バージョンナンバーの確認方法

1. 電源を入れます。
2. [EXIT] を押しながら、[←] を押して、DEMO モードに入ります。
3. [↑] と [↓] を押しながら [VALUE] を押すと、テストモードのトップページになります。CPU, ROM それぞれのバージョンが表示されます。

## ユーザーデータのセーブとロード

### ○スマートメディアを使用する場合

※ 作業を開始する前に、スマートメディアのフォーマットを行ってください。

#### • フォーマットの仕方

1. 電源を切った状態で、スマートメディアをメモリーカードスロットに挿し込みます。
2. 電源を入れます。
3. [UTILITY] を押します。
4. カーソルキー [↓] で「UTIL2」の画面にします。

5. カーソルキーで「CARD」を選び、[ENTER] を押します。

6. カーソルキーで「FORMAT」を選び、[ENTER] を押します。

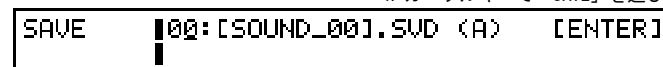
- 7 [ENTER] を押すと、以下のような画面になり、さらに [ENTER] を押すと、フォーマットが実行されます。

8. フォーマットが終わると、6 の画面に戻ります。[EXIT] でフォーマット画面を抜けます。

\* スマートメディアをスロットから取り出すときは、電源を切ってから行ってください。

### • Saving the User Data

1. Check that the Smart Media is inserted in the memory card slot.
2. Press [UTILITY].
3. Press the [↓] cursor key to show the "UTIL2" screen.
4. Select "SAVE" with the cursor keys and press [ENTER].

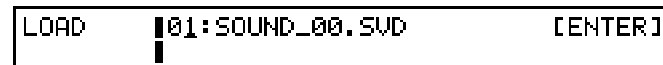


5. Press [ENTER], and the data will be saved.

\* If a file with the same name has already been written on the Smart Media, the program will ask you whether to overwrite it. To keep the old file, pressing [EXIT] to show the screen in step 4, enter a new file name by using the cursor keys, [INC] [DEC] and then save the file.

### • Loading the User Data

1. Check that the Smart Media is inserted in the memory card slot.
2. Press [UTILITY].
3. Press the [↓] cursor key to show the "UTIL2" screen. Select "LOAD" with the cursor keys and press [ENTER] to show the following screen.



4. Confirm the file name to be loaded and press [ENTER] to perform data loading.

If more than one file are written on the Smart Media, press [INC] or [DEC] to select the object file name and then perform loading.

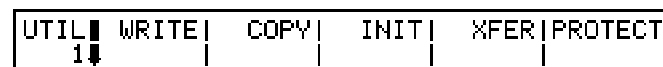
### ○ Bulk Dump Procedure

Items Required:

- MIDI cable
- Sequencer (Recordable)

### • Saving the User Data

1. Connect the MIDI OUT terminal of the XV-3080 to MIDI IN with a MIDI cable.
2. Press [UTILITY].



3. Press the cursor key to select "XFER" and press [ENTER].
4. Press the cursor key to go to "TRANSFER TO MIDI" screen and set the setting to Type = All, Block = USER.



5. Begin recording with the sequencer.
6. Press [ENTER] to begin the transfer of data. When the data begins to be sent correctly, the display will show the following screen.



7. When the transmission ends, the display will show the message "COMPLETE" and automatically return to showing the screen in step 4.

### • Loading the User Data

1. Connect the MIDI IN terminal of the XV-3080 to the MIDI OUT terminal of the sequencer with a MIDI cable.
2. Send the bulk dump from the sequencer.

### • ユーザーデータのセーブ

1. スマートメディアがメモリーカードスロットに挿し込まれていることを確認します。
2. [UTILITY] を押します。
3. カーソルキー [↓] を押して「UTIL2」の画面にします。
4. カーソルキーで「SAVE」を選び、[ENTER] を押します。

5. さらに [ENTER] を押すとデータセーブが行われます。

※ スマートメディアに、すでに同名のファイルが書き込まれているときには、上書きをして良いかを聞いてきます。元のファイルを保存しておきたいときには、[EXIT] を押して 4 の画面に戻り、カーソルキー、[INC] [DEC] を用いて新たなファイル名を入力してからセーブを行ってください。

### • ユーザーデータのロード

1. スマートメディアがメモリーカードスロットに挿し込まれていることを確認します。
2. [UTILITY] を押します。
3. カーソルキー [↓] を押して「UTIL2」の画面にします。カーソルキーで「LOAD」を選び、[ENTER] を押すと、以下のような画面を表示します。

4. ロードするファイル名を確認し、[ENTER] を押すと、データロードが行われます。

スマートメディアに複数のファイルが書き込まれている場合、[INC] [DEC] を押して、目的のファイル名を選んでからロードを行ってください。

### ○ バルクダンプで行う場合

準備するもの

- MIDI ケーブル
- シーケンサー（録音可能なもの）

### • ユーザーデータのセーブ

1. XV-3080 の MIDI OUT 端子と、シーケンサーの MIDI IN を MIDI ケーブルで接続します。
2. [UTILITY] を押します。

3. カーソルキーを押して「XFER」を選び、[ENTER] を押します。

4. カーソルキーを押して、「TRANSFER TO MIDI」の画面に行き、設定を Type = All, Block=USER に設定します。

5. シーケンサーの録音を開始します。

6. [ENTER] を押して、データの転送を開始します。正しくデータが送られ始めると以下の画面を表示します。

7. 送信が終わると、「COMPLETE」の表示が出て、自動的に 4 の画面に戻ります。

### • ユーザーデータのロード

1. XV-3080 の MIDI IN 端子と、シーケンサーの MIDI OUT 端子をケーブルでつなげます。
2. シーケンサーからバルクダンプを送信します。

## FACTORY RESET

- Press [UTILITY].
- Press the [ ↓ ] cursor key to show the "UTIL2" screen.

```
UTIL↑  CARD|  LOAD|  SAVE|  FACTORY RESET
 2|      |      |      |
```

- Select "FACTORY RESET" with the cursor keys, then press [ENTER], and the display will show the following screen.

```
FACTORY RESET | [ENTER]
```

- Press [ENTER].
- If Internal Write Protect is ON, a warning will be issued and then the display will show the following screen..

```
WRITE PROTECT | Internal Write Protect= ON
```

Press [DEC] to turn Internal Write Protect OFF, then press [ENTER], and the display will return to showing the screen in step 3.

- If Internal Write Protect is OFF, the display will show the following screen.

```
FACTORY RESET | Are You Sure?
                | YES=[ENTER]/NO=[EXIT]
```

Factory reset is performed when [ENTER] is pressed.

## ファクトリーリセットの方法

- [UTILITY] を押します。
- カーソルキー [ ↓ ] を押して、「UTIL2」の画面にします。

- カーソルキーで「FACTORY RESET」を選び、[ENTER] を押すと、以下のような画面になります。

- [ENTER] を押します。
- Internal Write Protect が ON の場合、警告の後、以下の画面が表示されます。

[DEC] を押して Internal Write Protect を OFF にしてから [ENTER] を押すと、3 の画面に戻ります。

- Internal Write Protect が OFF の場合は、以下の画面になります。

[ENTER] を押すとファクトリーリセットが実行されます。

## VERSION UP

The XV-3080 uses a flash memory for the program ROM. The version of the program ROM can be upgraded by loading MIDI data into the XV-3080. After upgrading the version, factory reset must be performed. If important data is written in the user memory, save the data on a card before upgrading the version.

### ◎ Required Items:

- XV-3080 Ver. Up Disk (2DD: Two disks) (#17048517)
- Sequencer capable of regenerating SMF (Also possible using a synthesizer with a sequencer)
- MIDI cable

### ◎ Version Up Procedure

- Connect the MIDI cable from MIDI OUT of the external sequencer to MIDI IN of the XV-3080.
- Turn on the XV-3080 power while holding down [DEC] and [A] at the same time, and the display will show the following MIDI update screen.

```
Update [MIDI] Never Shutdown
Yes = INC, No = DEC
```

- Press [INC], and the display will show the following screen, waiting for the reception of MIDI data.

```
[-----] MIDI
Waiting MIDI...
```

- After confirming the display in step 3, regenerate all the ".mid" files in the XV-3080 Ver. Up Disks 1 and 2 from the external sequencer (the order does not matter). During the reception of MIDI data, the "MIDI message" LED blinks and the message "Waiting" changes to the message "Receiving." When the data transfer of one file ends, the message "Waiting" will appear on the display. Then regenerate the next file.

The use of a sequencer with a chain play function, such as the XP-80, allows the version to be upgraded even more easily. Load and play the ".svc" file (chain file), and all the ".mid" files found on Disk 1 will be automatically regenerated. When regenerating Disk 1 all ends, replace with Disk 2 and play it again.

- When the update ends normally, the display will show the following screen and the [A] to [H] LED's will blink.

```
[*****] MIDI
Complete Update Please Power Off
```

- After playing all the ".mid" files on the two Ver. Up Disks, turn on the XV-3080 power again to ensure that the version has been upgraded correctly.
- Lastly, perform factory reset.

This completes the version up.

### ◎ NOTES:

#### Number of SMF's

- One SMF is created for one block of flash memory.
- Thirty-two SMF's, p00001.mid to p00032.mid, are created.
- Some files may be omitted depending on the size of the program.
- SMF is always created in p00032.mid because checksum data is placed in it.

#### Ending the update

- When p00032.mid has been received, it is judged that all the update data has been received.
- Any block, which has not been updated at this point of time, will be erased.
- This is performed to properly control the checksum data in the external ROM.
- Therefore, some blocks only cannot be updated.

## バージョンアップの方法

XV-3080 は、プログラム ROM にフラッシュメモリを使用しています。これは外部から MIDI データを送り込むことによりバージョンアップできます。なお、バージョンアップ後は必ずファクトリーリセットを行う必要があります。ユーザーメモリに大切なデータが書込まれている場合は、カードに保存してからバージョンアップ作業を行なって下さい。

### ◎用意するもの

- XV-3080 Ver. Up Disk (2DD:2 枚組) (# 17048517)
- SMF の再生できるシーケンサー (XP-80 等のシーケンサー付きシンセサイザーでも可)
- MIDI ケーブル

### ◎バージョンアップの方法

- MIDI ケーブルを外部シーケンサーの MIDI OUT から XV-3080 の MIDI IN に接続します。シーケンサーで SMF をチェインプレイできるように設定します。
- [DEC] と [A] を同時に押しながら電源を入れると、以下のような MIDI アップデート画面に入ります。

- [INC] を押すと次の表示になり、MIDI データの受信待ち状態になります。

3. の表示を確認した後、XV-3080 Ver. Up Disk 1, 2 の中にある全ての ".mid" ファイルを外部シーケンサーから再生します。(順序は問いません) MIDI データ受信中は [MIDI message] の LED が点滅し、「Waiting」の表示が「Receiving」に変わります。1 つのファイルのデータ転送が終了すると、表示が「Waiting」になりますので、続けて次のファイルを再生して下さい。

なお、XP-80 等のチェインプレイ機能を持つシーケンサーを用いると、より簡単にバージョンアップができます。Disk 1 の中にある ".svc" ファイル (チェインファイル) をロードし、PLAY すると、Disk 1 の中の全ての ".mid" ファイルを自動的に再生します。

Disk 1 の再生が全て終了したら、Disk 2 に入れ替えて再び PLAY します。

- アップデートが正常に終了すると次の表示になり、[A] --- [H] の LED が点滅します。

- 2 枚の Ver. Up Disk の全ての ".mid" ファイルをプレイし終わったら、電源を立ち上げ直して、正しくバージョンアップされていることを確認して下さい。

- 最後にファクトリーリセットを行なって下さい。

以上でバージョンアップは終了です。

### ◎注意点

#### SMF の数について

- SMF は Flash Memory の 1 ブロックに対して、一つ作られます。
- p00001.mid --- p00032.mid の 32 個の SMF が作られます。
- プログラムのサイズによっては、途中のファイルが抜ける事があります。
- p00032.mid にはチェックサムデータが置かれますので必ず作られます。

#### アップデートの終了について

- p00032.mid を受信し終わると、全アップデートデータを受信したと判断しています。
- この時点でアップデートされなかったブロックは消去します。
- これは外 ROM のチェックサムデータを正しく管理するためです。
- 従って一部のブロックのみをアップデートすることはできません。

# TEST MODE

## ◎ Required Items

- 1 to 6 audio cables
- 1 MIDI cable
- 2 Smart Media cards  
(One each of formatted and protected and non-protected cards)
- Monitor speaker (MA-12, etc.)
- Headphones
- Oscilloscope
- 4 SR-JV80 Series wave expansion boards
- 2 SRX Series wave expansion boards

## NOTES:

1. When the TEST mode is activated, the user data may be erased. Be sure to back up the data.
2. If the Smart Media is removed or inserted with the XV-3080 power on, the Smart Media could be destroyed.  
Before removing or inserting the card, be sure to turn off the XV-3080 power.
3. When a card test is performed, the data on the Smart Media will be lost. Prepare and use a Smart Media for testing.
4. Before turning on the XV-3080 power, install the wave expansion board in the unit. Mounting the board with the power on could damage the board.
5. Before turning on the XV-3080 power, connect all the wiring. If the power is turned on without wiring connecting the phones board and the main board, electrolytic capacitors (C214, C226, C233, C245) could be damaged.

## ◎ Test Items

The following tests are available with the XV-3080. For details of each test, refer to each of the relevant items.

- 0 : Top Page  
(Identifying the version number, Battery check, Memory card check)
- 1 : Memory Test
- 2 : LCD & Encoder Test
- 3 : Switch & LED Test
- 4 : Card Test
- 5 : Expansion Board Test
- 6 : MIDI Test
- 7 : Sound Test #1
- 8 : Sound Test #2
- 9 : Factory Reset

## ◎ Button Operation

- Entering the TEST Mode
  - 1) Turn on the XV-3080 power.
  - 2) While holding down [EXIT], press [←] to enter the DEMO mode.
  - 3) While holding down [↑] and [↓] at the same time, press [VALUE] to show the top page in the TEST mode.

Press [EXIT] while holding down [SHIFT] in each test mode, the display will show the top page.

- Exiting the TEST Mode  
Return to the top page and press [EXIT].

- Proceed to the Next Test  
When the current test ends normally, the processing will automatically proceed to the next test item. When the [↓] cursor key is pressed, the processing will proceed to the next test item even if the test has not ended. However, in the Switch & LED Test, press the two buttons, [SHIFT] and the [↓] cursor key.

# テストモード

## ◎準備するもの

- オーディオケーブル 1～6本
- MIDI ケーブル 1本
- スマートメディアカード 2枚  
(フォーマット済みのもので プロテクトされているもの、プロテクトされていないもの 各1枚ずつ)
- モニタースピーカー (MA-12 etc.)
- ヘッドホン
- オシロスコープ
- ウェーブエクスパンションボード SR-JV80 シリーズ 4枚
- ウェーブエクスパンションボード SRX シリーズ 2枚

- 注：テストモードに入るとユーザーデータは消去される場合があります。  
必ずデータのバックアップを行って下さい。
- 注：電源を入れたまま スマートメディアの抜き差しを行うと、スマートメディアが壊れる可能性があります。  
抜き差しの際は必ず電源を切って下さい。
- 注：カードテストを行うと、スマートメディアの内容は失われてしまいます。  
テスト用のスマートメディアを準備し、使用して下さい。
- 注：ウェーブエクスパンションボードは電源を入れる前にあらかじめ本体に装着して下さい。  
電源を入れたまま装着すると、ボードが壊れる可能性があります。
- 注：電源を投入する時には、全てのワイヤリングを接続して下さい。  
フォーンズボードとメインボードをつなぐワイヤリングを未接続のまま電源を投入すると、メインボードの電解コンデンサ (C214, C226, C233, C245) を破損する恐れがあります。

## ◎テスト項目

- XV-3080 には以下のテストがあります。  
各テストの詳細については、それぞれの項目を参照して下さい。
- 0 : Top Page  
(Identifying the version number, Battery check, Memory card check)
- 1 : Memory Test
- 2 : LCD&Encoder Test
- 3 : Switch&LED Test
- 4 : Card Test
- 5 : Expansion Board Test
- 6 : MIDI Test
- 7 : Sound Test #1
- 8 : Sound Test #2
- 9 : Factory Reset

## ◎ボタン操作

- テストモードへの入り方
  - 1) 電源を入れます。
  - 2) [EXIT] を押しながら [←] を押しして DEMO モードに入ります。
  - 3) [↑] と [↓] を押ししながら [VALUE] を押しすと、テストモードのトップページになります。

各テストモードで [SHIFT] を押しながら [EXIT] を押しすとトップページになります。

- テストモードからの抜け方  
トップページに戻り [EXIT] を押しします。

- 次のテストに移る  
テストが正常に終了すると自動的に次のテスト項目へ移動します。  
カーソル [↓] を押しすと、テストが終了していても次のテスト項目に移動します。  
但し、Switch&LED test では [SHIFT] と カーソル [↓] の2つのボタンを押します。

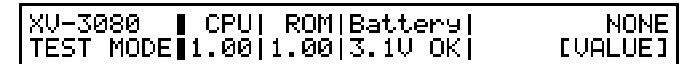
- Returning to the Previous Test  
When the [↑] cursor key is pressed, the processing will go to the preceding test item. However, in the Switch & LED Test, press the two buttons, [SHIFT] and the [↑] cursor key.

- Jumping to Each Test  
Press [1/9]-[8/16], [PART SELECT], and [EXIT] while holding down [SHIFT], then you can directly select the corresponding test item.

- [SHIFT] + [1/9] 1. Memory Test
- [SHIFT] + [2/10] 2. LCD & Encoder Test
- [SHIFT] + [3/11] 3. Switch & LED Test
- [SHIFT] + [4/12] 4. Card Test
- [SHIFT] + [5/13] 5. Expansion Board Test
- [SHIFT] + [6/14] 6. MIDI Test
- [SHIFT] + [7/15] 7. Sound Test #1
- [SHIFT] + [8/16] 8. Sound Test #2
- [SHIFT] + [PART SELECT] 9. Factory Reset
- [SHIFT] + [EXIT] 0. Test mode top page

## ◎Details of Each Test

- 0 : Test mode top page  
(Identifying the version number, Battery check, Memory card check)



- The program identifies the version numbers of the CPU and the program ROM. If not proper, the version should be upgraded. For the updating procedure, refer to "VERSION UP."
- The program checks the voltage of the SRAM battery.  
Battery: OK Normal voltage  
NG Abnormal voltage  
If found NG, check BT1, IC9, DA4, Q1, and Q2 on the main board.  
\* The test result is OK when the battery voltage is 2.5V to 4.0V.
- The program checks the statuses of the memory card slot and the inserted Smart Media.  
NONE Smart Media not inserted.  
PROTECTED Smart Media protected.  
NON-PROTECT Smart Media not protected.

Change the Smart Media and check all the three statuses above.  
CAUTION: Before changing the card, be sure to turn off the XV-3080 power. After turning on the power, enter the TEST mode again.  
If the display is not correct, check IC60, Q16, and CN14 on the main board.

CAUTION: To perform the TEST modes in order after this, insert a formatted and non-protected card and then advance through the TEST modes. The Card Test items are used in this state.  
Check that the LCD contrast can be adjusted by turning the encoder.

- If the adjustment fails, check Q35 and IC4 on the main board.
- After checking all the items, press [VALUE] to proceed to the next test.

- 1 : Memory Test



- 前のテストに戻る  
カーソル [↑] を押しすと一つ前のテスト項目に移動します。  
但し、Switch&LED test では [SHIFT] と カーソル [↑] の2つのボタンを押します。

- 各テストへのジャンプ  
[SHIFT] を押しながら [1/9]-[8/16], [PART SELECT], [EXIT] を押しすと対応するテスト項目を直接選択できます。

- [SHIFT] + [1/9] 1. Memory Test
- [SHIFT] + [2/10] 2. LCD&Encoder Test
- [SHIFT] + [3/11] 3. Switch&LED Test
- [SHIFT] + [4/12] 4. Card Test
- [SHIFT] + [5/13] 5. Expansion Board Test
- [SHIFT] + [6/14] 6. MIDI Test
- [SHIFT] + [7/15] 7. Sound Test #1
- [SHIFT] + [8/16] 8. Sound Test #2
- [SHIFT] + [PART SELECT] 9. Factory Reset
- [SHIFT] + [EXIT] 0. Test mode top page

## ◎テスト項目詳細

- 0 : Test mode top page  
(Identifying the version number, Battery check, Memory card check)

- CPU, Program ROM のバージョンを確認します。  
バージョンが適切でない場合は、バージョンアップを行って下さい。  
アップデートの方法については、「バージョンアップの方法」を参照して下さい。
- SRAM 用 バッテリー の電圧を確認します  
Battery: OK 正常な電圧です。  
NG 異常な電圧です。  
NG の場合はメインボードの BT1, IC9, DA4, Q1, Q2 をチェックしてください。  
※ バッテリー電圧が 2.5V ~ 4.0V の場合 OK になります。
- メモリーカードスロットと挿入したスマートメディアの状態を確認します。  
NONE スマートメディアが挿入されていません。  
PROTECTED スマートメディアはプロテクトされています。  
NON-PROTECT スマートメディアはプロテクトされていません。

スマートメディアを入れ替えて、以上の3つ全ての状態を確認して下さい。  
注：入れ替えは必ず電源を切って行い、電源投入後、再度テストモードに入って下さい。  
表示が正しくない場合は、メインボードの IC60, Q16, CN14 をチェックして下さい。

注：この後、テストモードを順に行う場合は、フォーマット済みのプロテクトされていないカードを挿入した状態でテストモードを進んで下さい。  
Card test の項目はこの状態で使用します。

- Encoder を回すと LCD コントラストの調整ができることを確認します。  
調整ができない場合はメインボードの Q35, IC4 をチェックします。
- 全て確認したら [VALUE] を押し、次のテストに進みます。  
1 : Memory Test

- The program automatically checks the CPU-RAM/ROM, program ROM, DRAM, SRAM, wave ROM, and XP-DSP/RAM.

CPU: OK The RAM and ROM of the CPU are normal.  
 NG Abnormal. Check IC3 on the main board.

ROM: OK The program ROM is normal.  
 NG Abnormal. Check IC1 on the main board.

DRAM: OK The DRAM is normal.  
 NG Abnormal. Check IC5 on the main board.

SRAM: OK The SRAM is normal.  
 NG Abnormal. Check IC6 and IC84 on the main board.

DSP: OK The DSP and RAM of the XP are all normal.  
 I0-NG The internal RAM of the XP0 is abnormal. Check IC90, IC105, and IC92 on the main board.  
 I1-NG The internal RAM of the XP1 is abnormal. Check IC90, IC105, and IC93 on the main board.  
 E0-NG The external RAM of the XP0 is abnormal. Check IC95 on the main board.  
 E1-NG The external RAM of the XP1 is abnormal. Check IC96 on the main board.

Wave: OK The wave ROM is normal.  
 NG Abnormal. Check IC26 and IC29 on the main board.

CPU-RAM/ROM, Program ROM, DRAM, SRAM, WAVE ROM, XP-DSP/RAM を自動的にチェックします。

CPU: OK CPU の RAM と ROM は正常です。  
 NG 異常です。メインボードの IC3 をチェックして下さい。

ROM: OK Program ROM は正常です。  
 NG 異常です。メインボードの IC1 をチェックして下さい。

DRAM: OK DRAM は正常です。  
 NG 異常です。メインボードの IC5 をチェックして下さい。

SRAM: OK SRAM は正常です。  
 NG 異常です。メインボードの IC6, IC84 をチェックして下さい。

DSP: OK XP の DSP と RAM はすべて正常です。  
 I0-NG XP0 の内部 RAM が異常です。メインボードの IC90, IC105, IC92 をチェックして下さい。  
 I1-NG XP1 の内部 RAM が異常です。メインボードの IC90, IC105, IC93 をチェックして下さい。  
 E0-NG XP0 の外部 RAM が異常です。メインボードの IC95 をチェックして下さい。  
 E1-NG XP1 の外部 RAM が異常です。メインボードの IC96 をチェックして下さい。

Wave: OK Wave ROM は正常です。  
 NG 異常です。メインボードの IC26, IC29 をチェックして下さい。

- テストが正常に終了すると、自動的に次のテスト項目に進みます。

2 : LCD & Encoder Test



- Check that the LCD contrast can be adjusted by turning the encoder. Check that the number of lit LED's changes according to the LCD contrast value.
- Check that all the dots on the LCD turn off when [VALUE] is pressed (for the first time).

- Encoder を回すと LCD コントラストが調整できることを確認します。LCD コントラストの値に応じて LED 点灯個数が増えることを確認します。
- [VALUE] (1 回目) を押すと LCD の全ドットが消灯することを確認します。



- Check that all the dots on the LCD turn on when [VALUE] is pressed (for the second time).

- [VALUE] (2 回目) を押すと LCD の全ドットが点灯することを確認します。



If the contrast adjustment, all turning off or all turning on fails, check Q35, IC4, RA80, RA81, and RA82 on the main board.

コントラストの調整、全消灯、全点灯ができない場合、メインボードの Q35, IC4, RA80, RA81, RA82 をチェックして下さい。

- When [VALUE] is pressed (for the third time), the processing will automatically proceed to the next test item.

- [VALUE] (3 回目) を押すと、自動的に次のテスト項目になります。

3 : Switch & LED Test

3 : Switch&LED Test



- Check that all the LED's are on.
- For a switch with no LED, check that its name appears on the display.

- すべての LED が点灯していることを確認します。
- LED のないスイッチは、ディスプレイに名前が表示されていることを確認します。

NOTE: [EXIT] has no LED.

注: [EXIT] は LED がありません。

- When each switch is pressed, its LED will go off.
  - When the switch with no LED, its name will disappear on the display. NOTE: This function is ineffective when more than one switch are pressed at the same time.
  - The number of switches which have not yet been pressed appears at the lower right on the display. If an LED does not light or go off, or the display is not correct, check each LED, SW and DA on the panel board, and IC57, Q3 to Q14, IC58, CN11 and CN19 on the main board.
  - When the current test is completed, the processing will automatically proceed to the next test item.
- 4 : Card Test



- Before entering the mode of this item, a formatted non-protected Smart Media must be inserted in the slot. If not in this state, a read/write test cannot be performed.
  - To insert a Smart Media at this point of time, once turn off the XV-3080 power, insert the card, then enter the TEST mode again.
- CAUTIONS:**
- If removed or inserted with the XV-3080 power on, the Smart Media could be damaged.
  - When this test is performed, the data on the Smart Media will be lost. Prepare and use a Smart Media for testing.

- スイッチを押していくと LED が消灯します。
  - LED のないスイッチを押すと表示している名前が消えます。
  - 注: 複数のスイッチを同時に押した場合は無効です。
  - まだ押されていないスイッチの個数が右下に表示されます。
  - LED が点灯、消灯しない、ディスプレイの表示が正しくない場合、パネルボードの各 LED, SW, DA, メインボードの IC57, Q3 ~ 14, IC58, CN11, CN19 をチェックして下さい。
  - テストが完了すると、自動的に次のテスト項目になります。
- 4 : Card Test

- The status of the card is displayed.
- Change the Smart Media if other than non-protected.

- この項目に入る前にあらかじめフォーマット済みのプロテクトされていないスマートメディアを挿入しておく必要があります。この状態でないと、Read/Write のテストができません。
- この時点でスマートメディアを挿入する場合は、一度電源を切ってからスマートメディアを挿入し、再度テストモードに入ってください。
- 注: 電源を入れたまま抜き差しを行うと、スマートメディアが壊れる可能性があります。
- 注: このテストを行うと、スマートメディアの内容は失われてしまいます。テスト用のスマートメディアを準備し、使用して下さい。

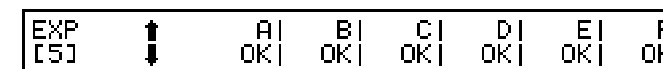
- The program automatically checks the read/write.
- If found NG, check IC102 to IC104 on the main board.

- カードの状態を表示します。
- NON-PROTECT 以外の状態であるときは、スマートメディアを交換して下さい。
- Read/Write を自動チェックします。
- Read/Write: OK 正常です。  
NG 異常です。
- NG の場合にはメインボードの IC102 ~ 104 をチェックして下さい。

- When the test ends normally, the processing will automatically proceed to the next test item.

- テストが正常に終了すると、自動的に次のテスト項目になります。

5 : Expansion Board Test



- Before entering this test mode, the desired expansion boards must be inserted in all the slots.
- To mount expansion boards at this point of time, once turn off the XV-3080 power, mount the boards, then enter the TEST mode again. If mounted with the XV-3080 power on, the boards could be damaged.
- The program automatically checks each slot.
- Check the following places depending on the slot found NG.
- Any of A,B,C and D: EXP base board IC1 to IC7
- Either of E and F: EXP base board IC8 to IC17

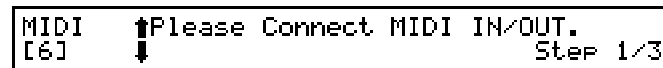
- この項目に入る前にあらかじめ任意の エクスパンションボードをすべてのスロットに装着しておく必要があります。
- この時点でエクスパンションボードを装着する場合は、一度電源を切ってボードを装着し、再度テストモードに入ってください。電源を入れたまま装着すると、ボードが壊れる可能性があります。
- 各スロットを自動的にチェックします。
- A/B/C/D/E/F: OK 正常です。  
NG 異常です。
- NG のスロットによって以下の個所をチェックして下さい。
- A, B, C, D いずれか: EXP ベースボード IC1 ~ 7
- E, F いずれか: EXP ベースボード IC8 ~ 17

- When the test ends normally, the processing will automatically proceed to the next test item.

- テストが正常に終了すると、自動的に次のテスト項目になります。

6 : MIDI Test

6 : MIDI Test



- Connect MIDI IN to MIDI OUT with a MIDI cable. Check that "Connection OK" appears on the display.

- MIDI IN と MIDI OUT を MIDI ケーブルで接続します。"Connection OK" が表示されることを確認します。



- Detach the MIDI cable from MIDI IN and MIDI OUT. Check that "OK" appears on the display.

- MIDI IN と MIDI OUT から MIDI ケーブルを抜きます。OK の表示が出ることを確認します。



If the display is not correct, check IC86 and IC87 on the main board.

表示が正しくない場合は、メインボードの IC86, IC87 をチェックして下さい。

- When the test ends normally, the processing will automatically proceed to the next test item.

- テストが正常に終了すると、自動的に次のテスト項目になります。

7 : Sound Test #1

7 : Sound Test #1



- Press [VALUE], and sound will be output to each output terminal in the following order and the output destination will appear on the display. Check the sound output with the monitor speaker and the headphones.

- [VALUE] を押していくと各出力端子に以下の順序でサウンドが出力され、出力先がディスプレイに表示されます。出力される音をモニタースピーカーとヘッドホンで確認します。

NOTE: Since the output terminals are different, reconnect the audio cable as necessary.

注：出力される端子がそれぞれ異なるので、適宜オーディオケーブルを接続し直してください。

- OUTPUT 1 & Headphone L (Sine wave)
- OUTPUT 2 & Headphone R (Sine wave)
- OUTPUT 3 (Square wave)
- OUTPUT 4 (Square wave)
- OUTPUT 5 (Saw tooth wave)
- OUTPUT 6 (Saw tooth wave)

- OUTPUT 1 & ヘッドホン L (サイン波)
- OUTPUT 2 & ヘッドホン R (サイン波)
- OUTPUT 3 (方形波)
- OUTPUT 4 (方形波)
- OUTPUT 5 (のこぎり波)
- OUTPUT 6 (のこぎり波)

- The number of the output destination disappears when sound is output.
- You can directly select an output destination by pressing [1/9] to [6/14].

- サウンドが出力されると、出力先の番号が消えます。
- [1/9] - [6/14] を押すと出力先を直接選択できます。

If sound is not output correctly, check the following points depending on the output destination.

音が正しく出力されない場合は、その出力先によって以下の個所をチェックして下さい。

No output at all :	Main board Q23 to Q2626, IC76
OUTPUT 1, 2 & Headphone L, R :	Main board CN16, Phones board CN5
OUTPUT 1, 2 :	Main board IC70 to 72, Phones board IC1
OUTPUT 1 only :	Main board Q19, C233, C220, Phones board C3
OUTPUT 2 only :	Main board Q20, C245, C228, Phones board C7
Headphone L, R :	Main board IC69
Headphone L only :	Main board Q17, C214
Headphone R only :	Main board Q18, C226
OUTPUT 3, 4 :	Main board IC73 to IC75
OUTPUT 3 :	Main board Q21, C253
OUTPUT 4 :	Main board Q22, C259
OUTPUT 5, 6 :	Main board IC80, IC78, IC79
OUTPUT 5 :	Main board Q27, C283
OUTPUT 6 :	Main board Q28, C292

全て出力されない	メインボード Q23 ~ 26, IC76
OUTPUT 1, 2 & ヘッドホン L, R	メインボード CN16, フォーンズボード CN5
OUTPUT 1, 2	メインボード IC70 ~ 72, フォーンズボード IC1
OUTPUT 1 のみ	メインボード Q19, C233, C220, フォーンズボード C3
OUTPUT 2 のみ	メインボード Q20, C245, C228, フォーンズボード C7
ヘッドホン L, R	メインボード IC69,
ヘッドホン L のみ	メインボード Q17, C214
ヘッドホン R のみ	メインボード Q18, C226
OUTPUT 3, 4	メインボード IC73 ~ 75
OUTPUT 3	メインボード Q21, C253
OUTPUT 4	メインボード Q22, C259
OUTPUT 5, 6	メインボード IC80, IC78, IC79
OUTPUT 5	メインボード Q27, C283
OUTPUT 6	メインボード Q28, C292

- When the test is completed and [VALUE] is pressed, the processing will proceed to the next test items.

- テストを完了し、[VALUE] を押すと、次のテスト項目になります。

8 : Sound Test #2

8 : Sound Test #2



- A test sound is output from OUTPUT1 and 2 and headphones L and R. Check the connection of the monitor speaker.
- Press [VALUE], and the test sound will begin.

- テスト発音は、OUTPUT1, 2 とヘッドホン L, R から出力されます。モニタースピーカーの接続を確認してください。
- [VALUE] を押すとテスト発音を開始します。



- Press [VALUE], and the test sound will be stopped.

- [VALUE] を押すとテスト発音を停止します。



If no sound is output or the sound does not stop, check IC90, IC92, IC93, and IC105 on the main board.

音が出力されない、または停止しない場合、メインボード IC90, IC92, IC93, IC105 をチェックして下さい。

- When the test is completed and [VALUE] is pressed, the processing will proceed to the next test items.

- テストを完了し、[VALUE] を押すと、次のテスト項目になります。

9 : Factory Reset

9 : Factory Reset



- Press [VALUE], and factory reset will be performed.  
\* Factory reset must always be performed at the end of the TEST mode.

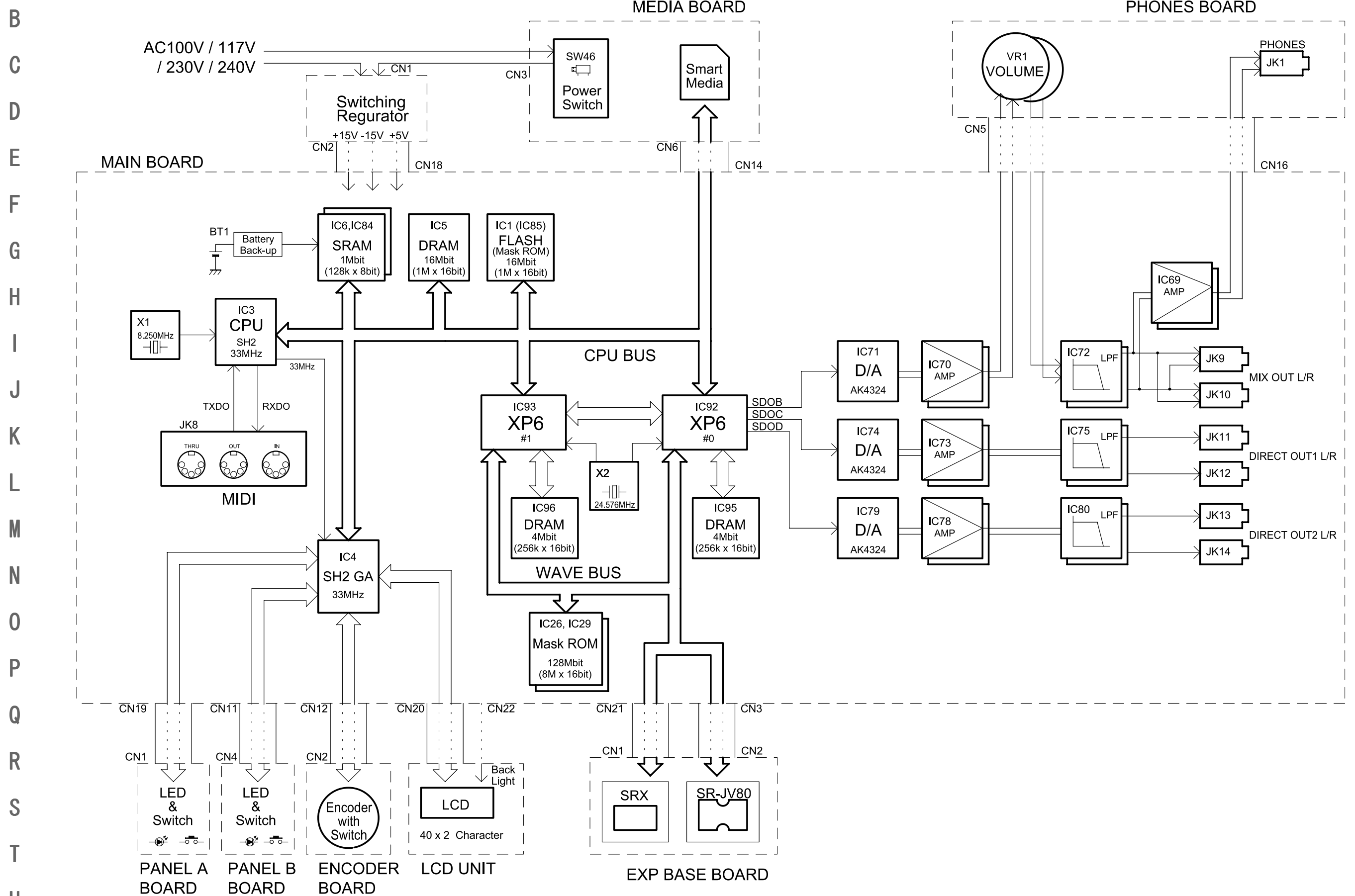
- [VALUE] を押すとファクトリーリセットを実行します。  
※ テストモードの最後には必ずファクトリーリセットを行ってください。

- Press [EXIT], and the display will show the top page in the TEST mode.

- [EXIT] を押すとテストモードトップページになります。

1 2 3 4 5 6 7 8 9 10 11 12 13 14 15 16 17 18 19 20 21 22 23 24 25 26 27 28

A **BLOCK DIAGRAM ブロック図・配線図**

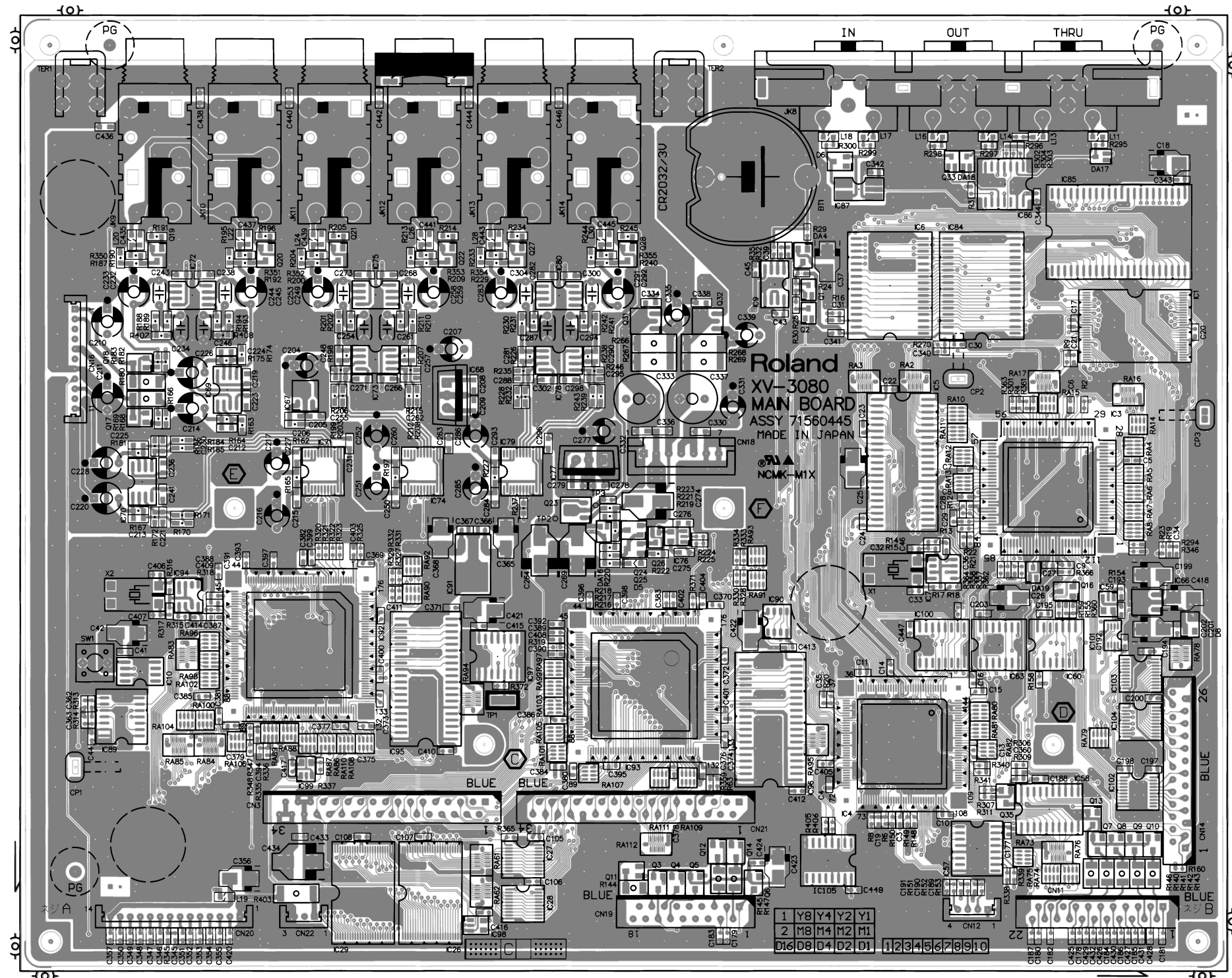




1 2 3 4 5 6 7 8 9 10 11 12 13 14 15 16 17 18 19 20 21 22 23 24 25 26 27 28

A CIRCUIT BOARD/ 基板図  
B MAIN BOARD ASSY (71560445)

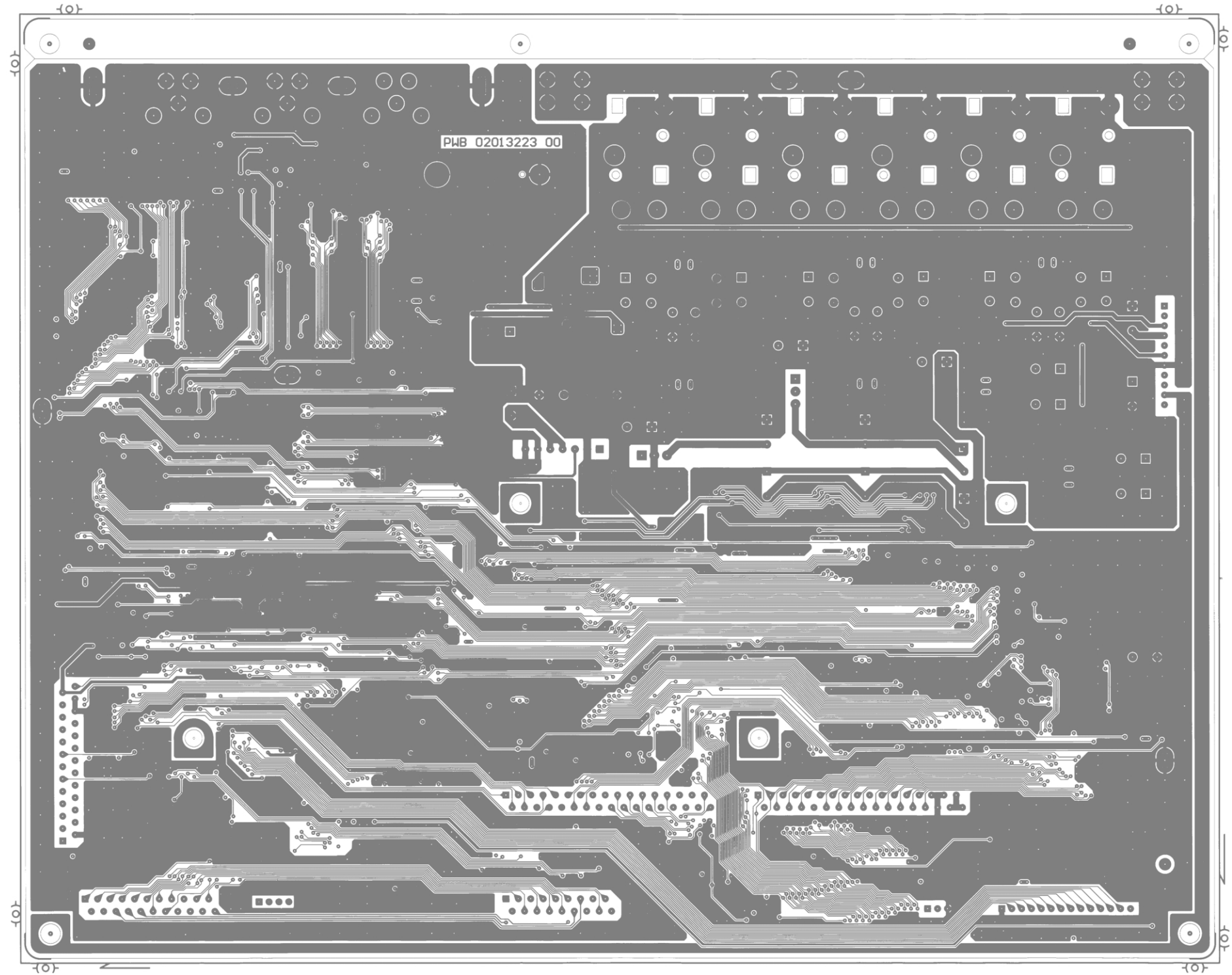
C  
D  
E  
F  
G  
H  
I  
J  
K  
L  
M  
N  
O  
P  
Q  
R  
S  
T  
U



1 2 3 4 5 6 7 8 9 10 11 12 13 14 15 16 17 18 19 20 21 22 23 24 25 26 27 28

A **CIRCUIT BOARD/ 基板图**  
B **MAIN BOARD ASSY (71560445)**

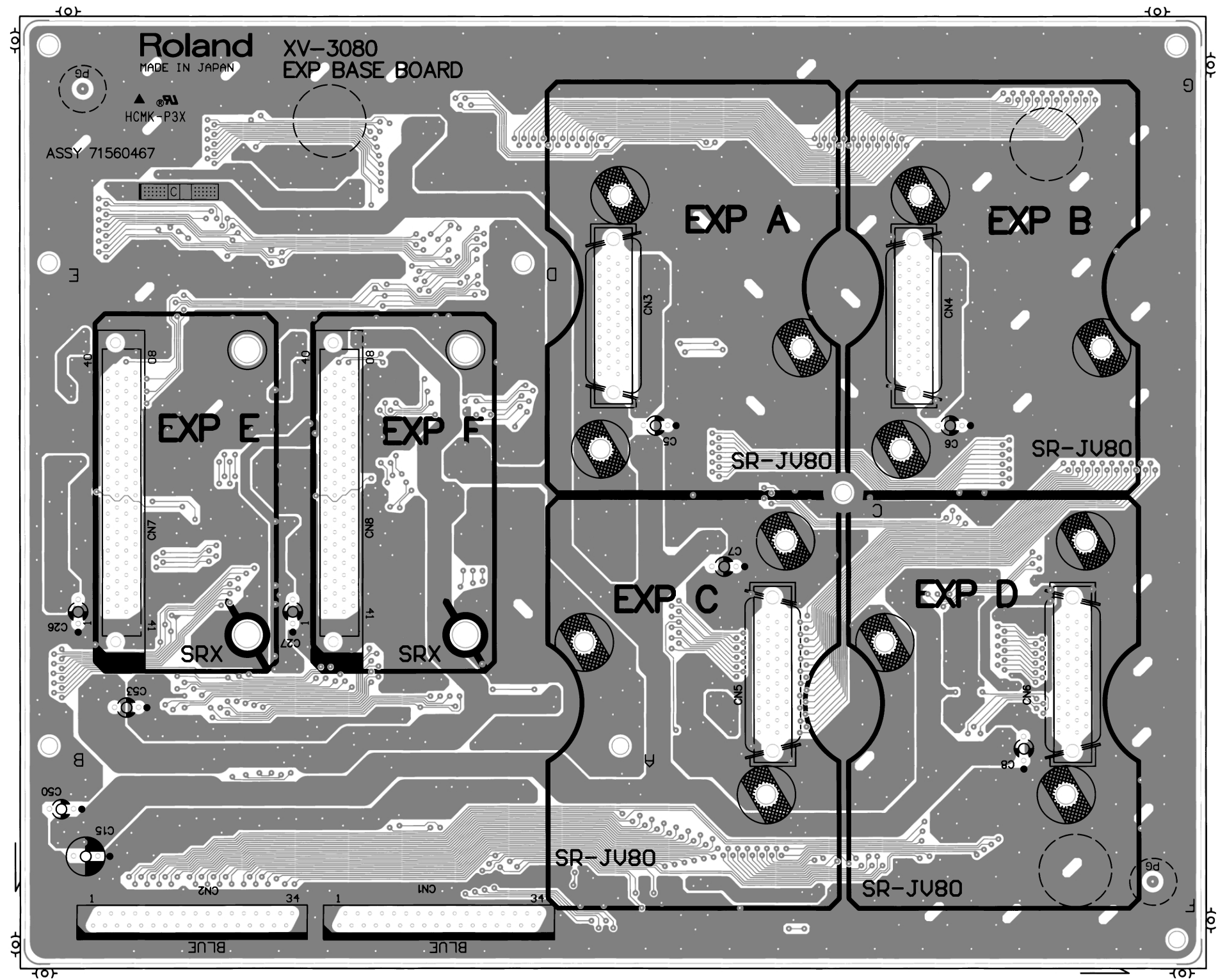
C  
D  
E  
F  
G  
H  
I  
J  
K  
L  
M  
N  
O  
P  
Q  
R  
S  
T  
U



1 2 3 4 5 6 7 8 9 10 11 12 13 14 15 16 17 18 19 20 21 22 23 24 25 26 27 28

A CIRCUIT BOARD/ 基板図  
B EXP BASE BOARD ASSY (71560467)

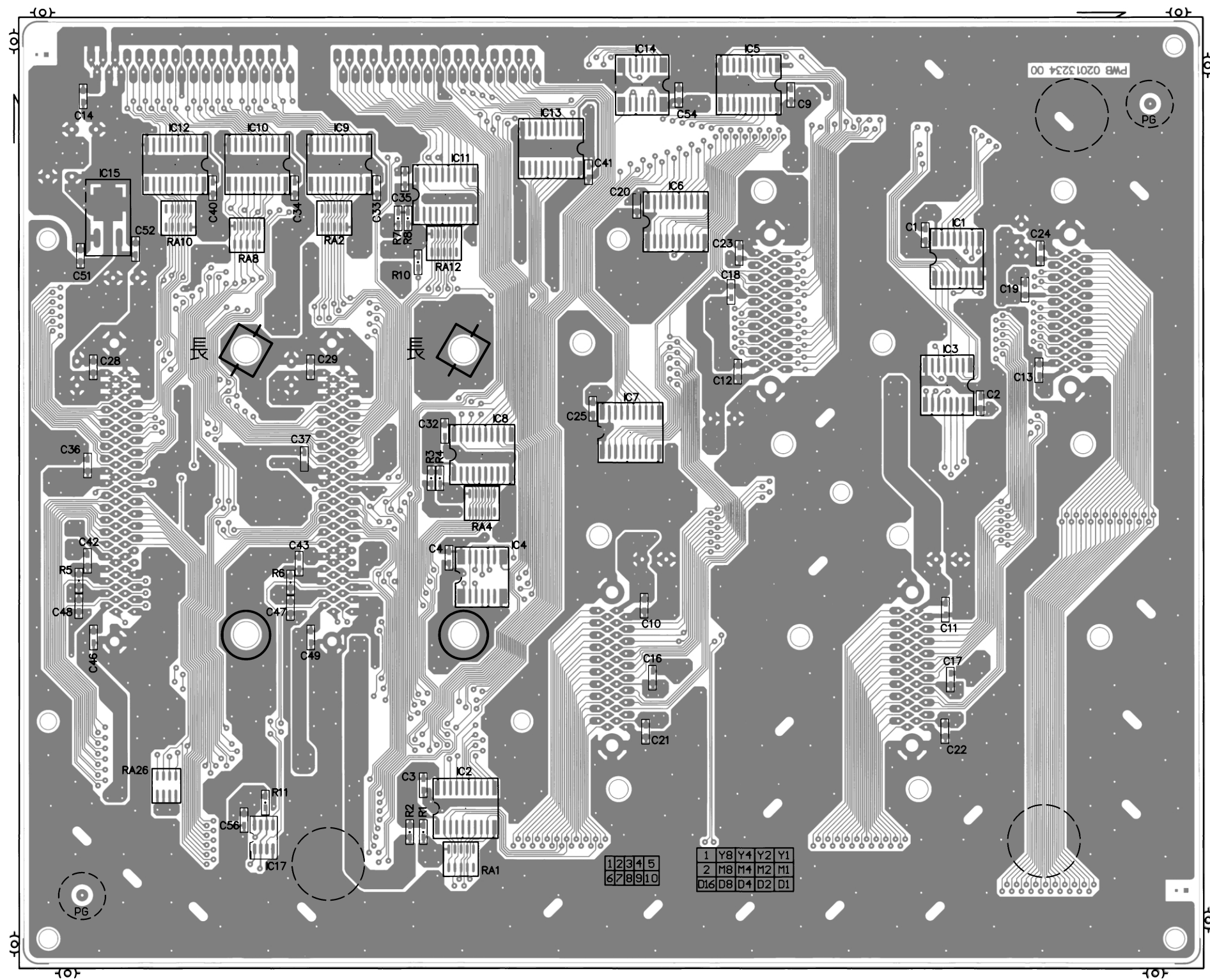
C  
D  
E  
F  
G  
H  
I  
J  
K  
L  
M  
N  
O  
P  
Q  
R  
S  
T  
U



1 2 3 4 5 6 7 8 9 10 11 12 13 14 15 16 17 18 19 20 21 22 23 24 25 26 27 28

A CIRCUIT BOARD/ 基板图  
B EXP BASE BOARD (71560467)

C  
D  
E  
F  
G  
H  
I  
J  
K  
L  
M  
N  
O  
P  
Q  
R  
S  
T  
U



1 2 3 4 5 6 7 8 9 10 11 12 13 14 15 16 17 18 19 20 21 22 23 24 25 26 27 28

A CIRCUIT BOARD/ 基板图

B

C

D

E

F

G

H

I

J

K

L

M

N

O

P

Q

R

S

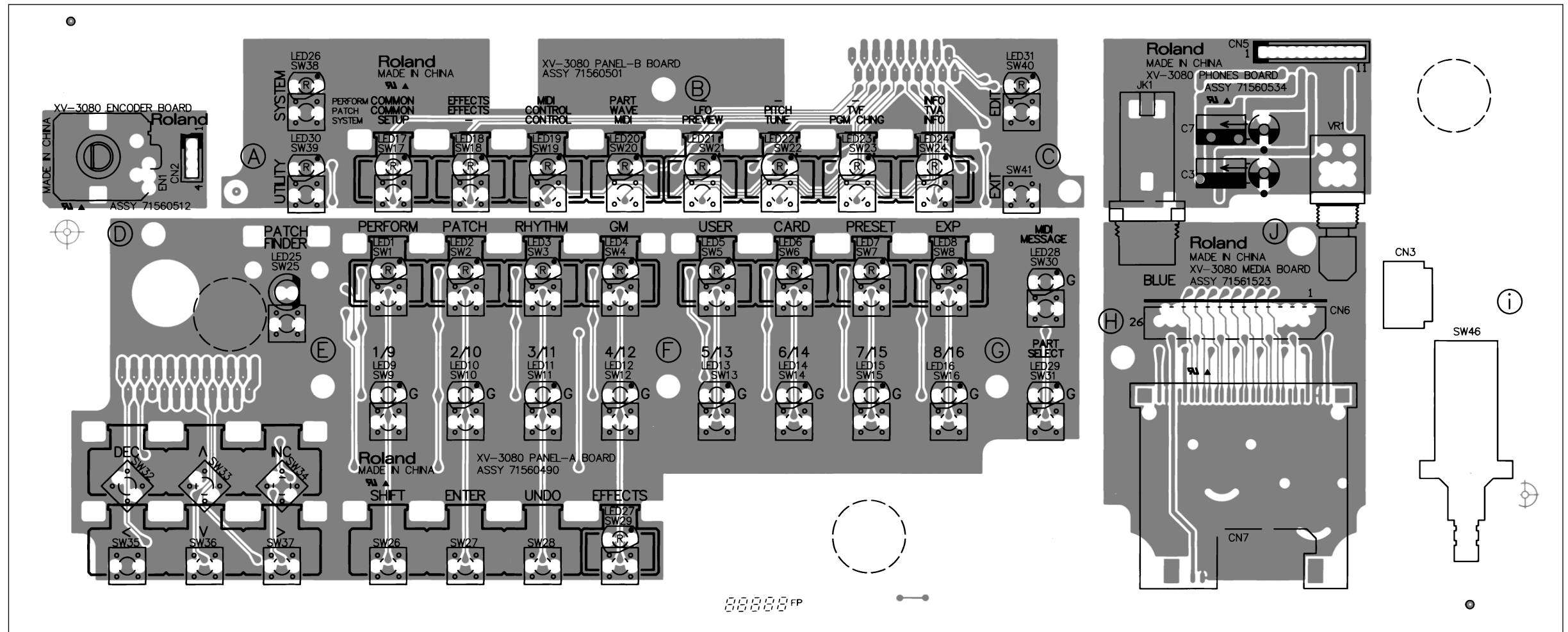
T

U

PANEL-B BOARD ASSY (71561856)

PHONES BOARD ASSY (71560523)

ENCODER BOARD ASSY (71560512)



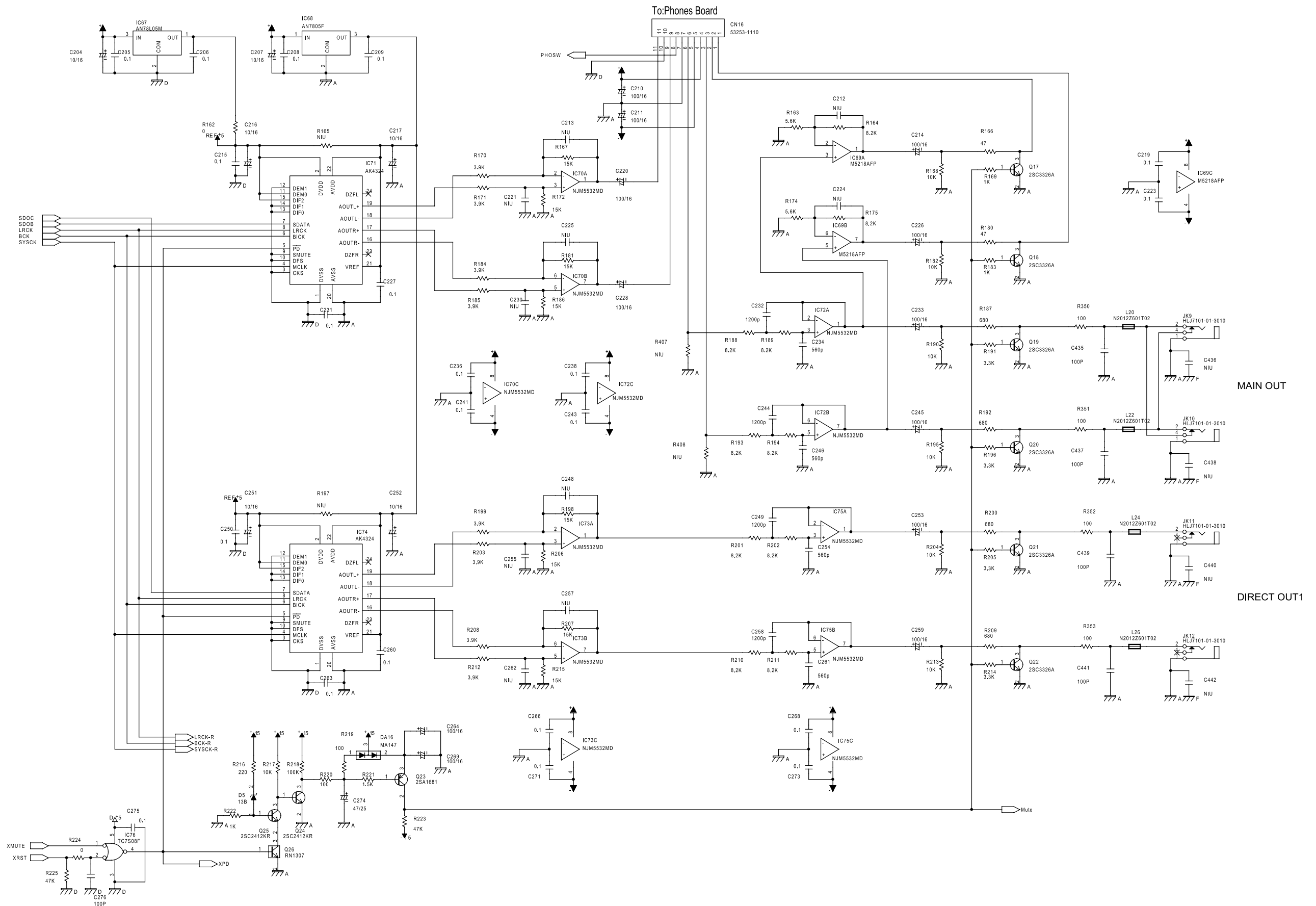
PANEL-A BOARD ASSY (71561845)

MEDIA BOARD ASSY (71561512)



1 2 3 4 5 6 7 8 9 10 11 12 13 14 15 16 17 18 19 20 21 22 23 24 25 26 27 28

A **CIRCUIT DIAGRAM/ 回路图**  
B **MAIN BOARD**





1 2 3 4 5 6 7 8 9 10 11 12 13 14 15 16 17 18 19 20 21 22 23 24 25 26 27 28

A CIRCUIt DIAGRAM/ 回路図

B MAIN BOARD

C

D

E

F

G

H

I

J

K

L

M

N

O

P

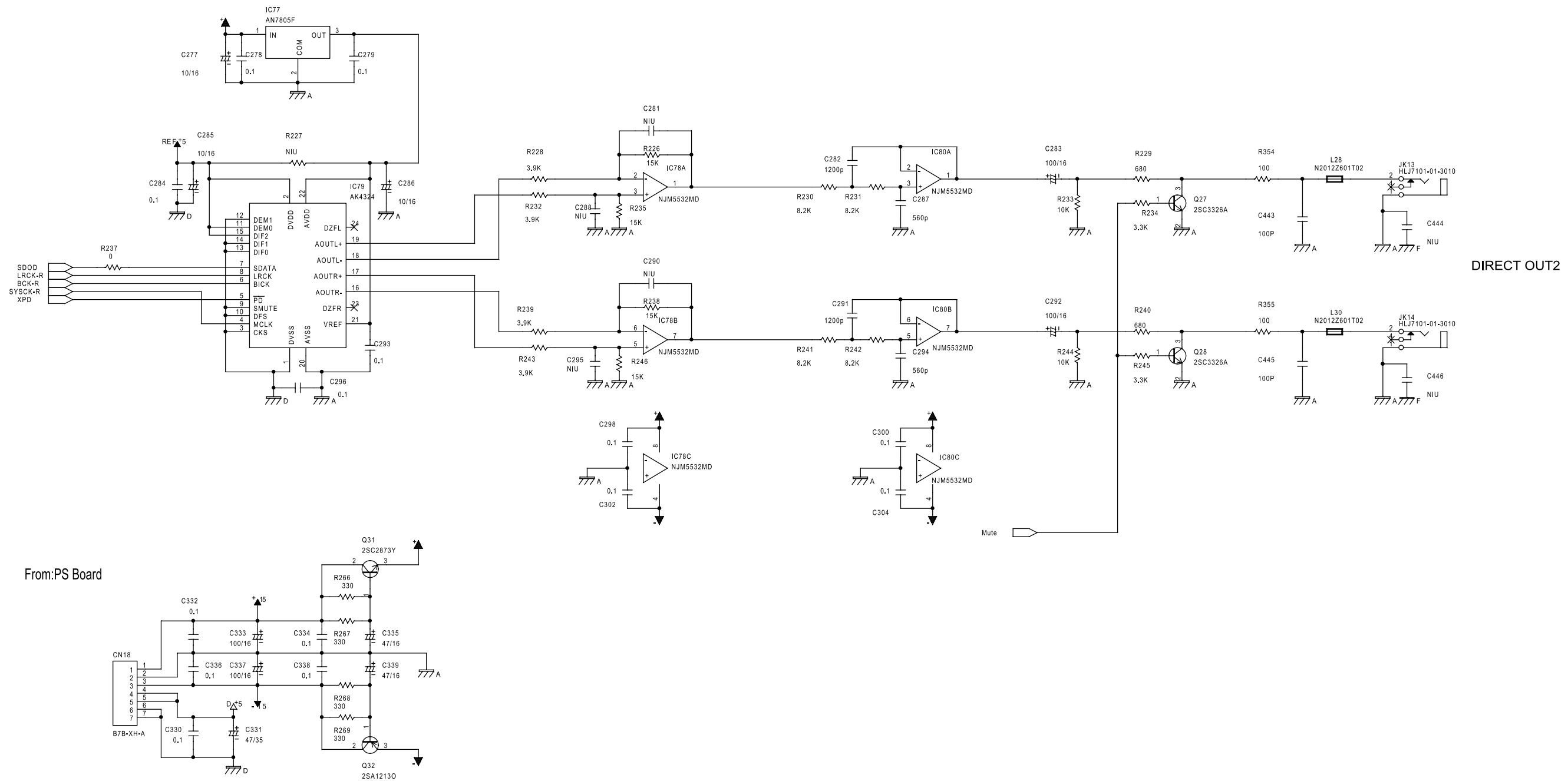
Q

R

S

T

U

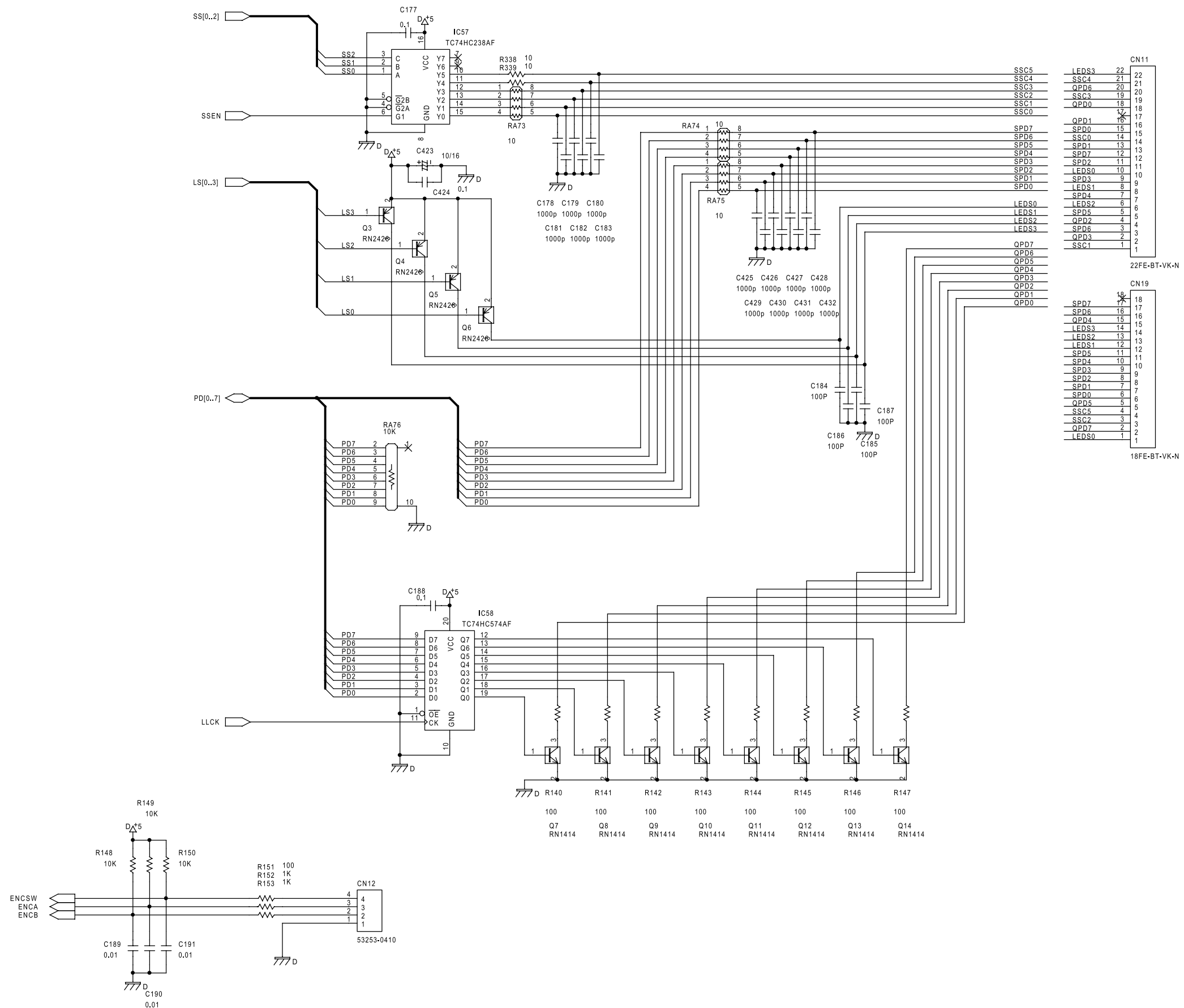




1 2 3 4 5 6 7 8 9 10 11 12 13 14 15 16 17 18 19 20 21 22 23 24 25 26 27 28

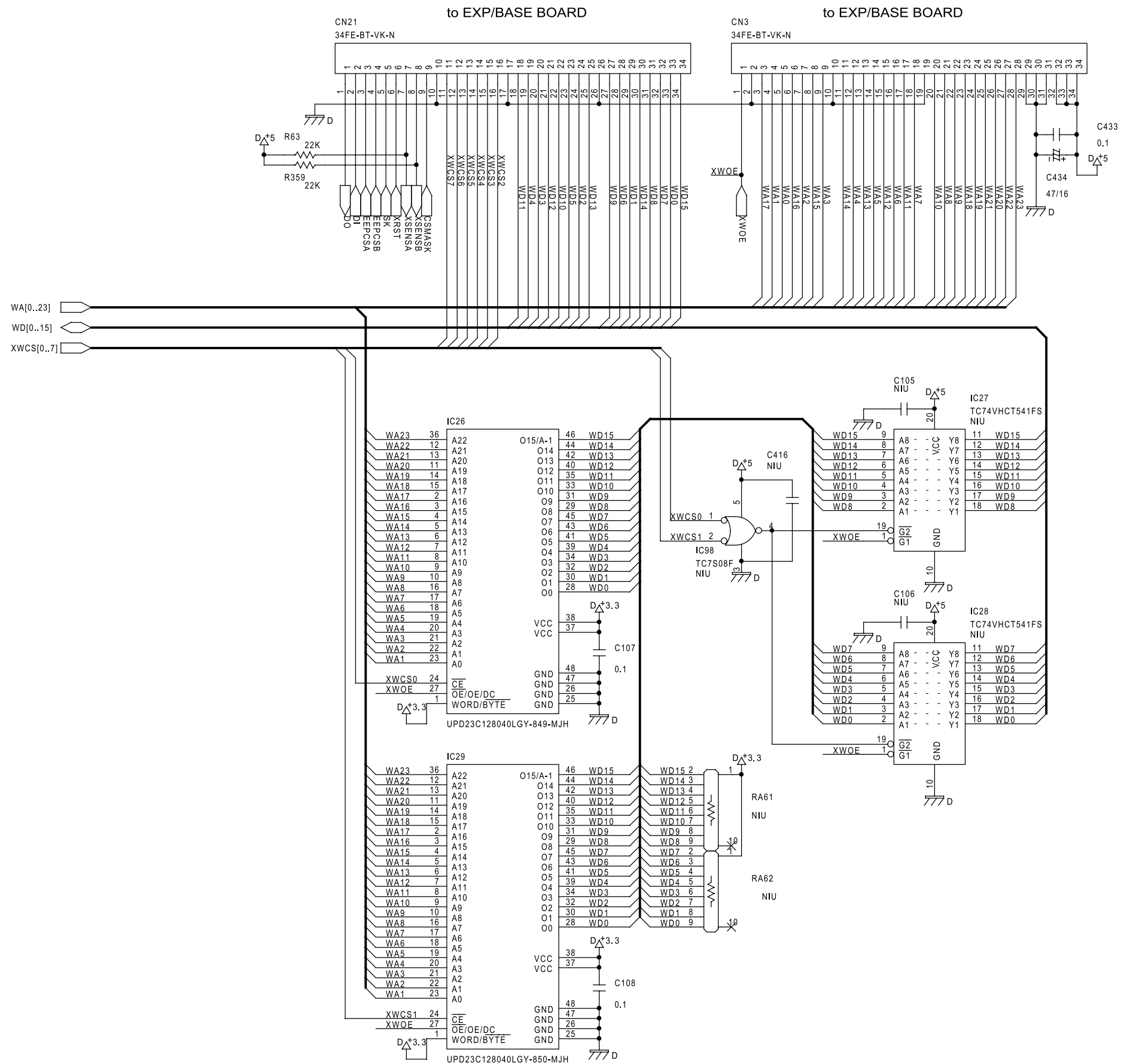
**A** CIRCUI DIAGRAM/ 回路図  
**B** MAIN BOARD

C  
D  
E  
F  
G  
H  
I  
J  
K  
L  
M  
N  
O  
P  
Q  
R  
S  
T  
U



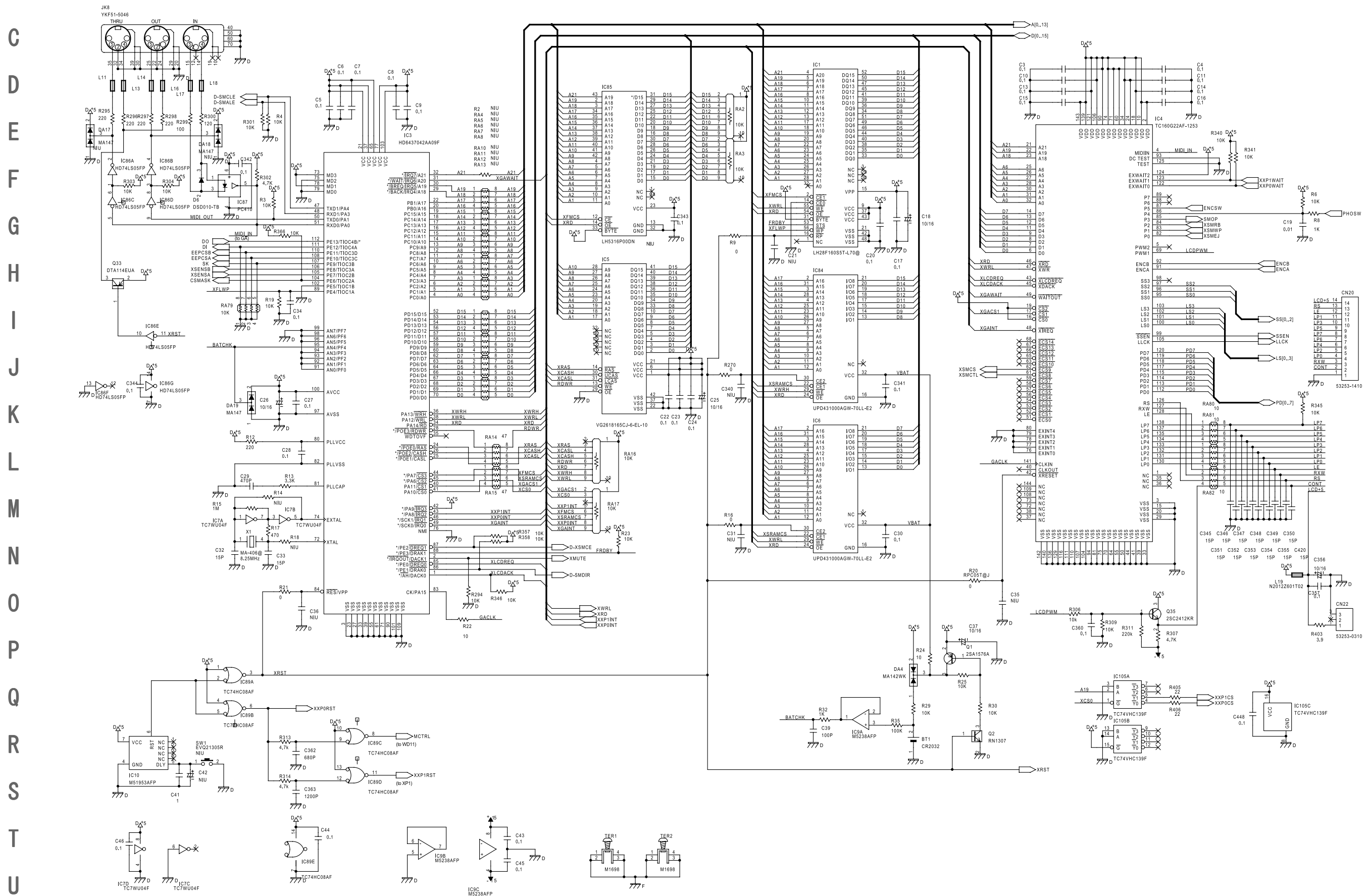
1 2 3 4 5 6 7 8 9 10 11 12 13 14 15 16 17 18 19 20 21 22 23 24 25 26 27 28

A CIRCUI DIAGRAM/ 回路図  
B MAIN BOARD



1 2 3 4 5 6 7 8 9 10 11 12 13 14 15 16 17 18 19 20 21 22 23 24 25 26 27 28

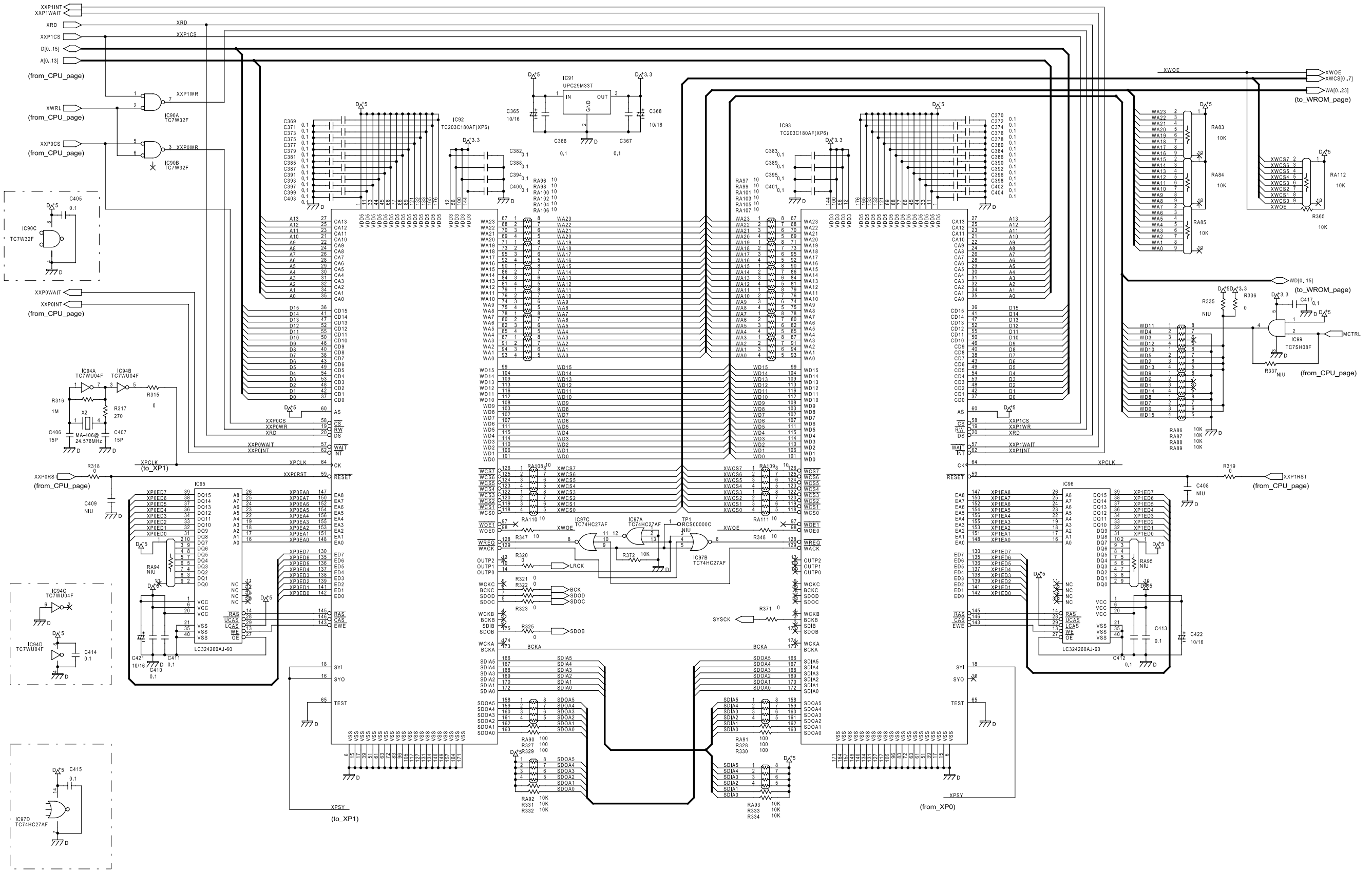
# A CIRCUIT DIAGRAM/ 回路图 B MAIN BOARD



1 2 3 4 5 6 7 8 9 10 11 12 13 14 15 16 17 18 19 20 21 22 23 24 25 26 27 28

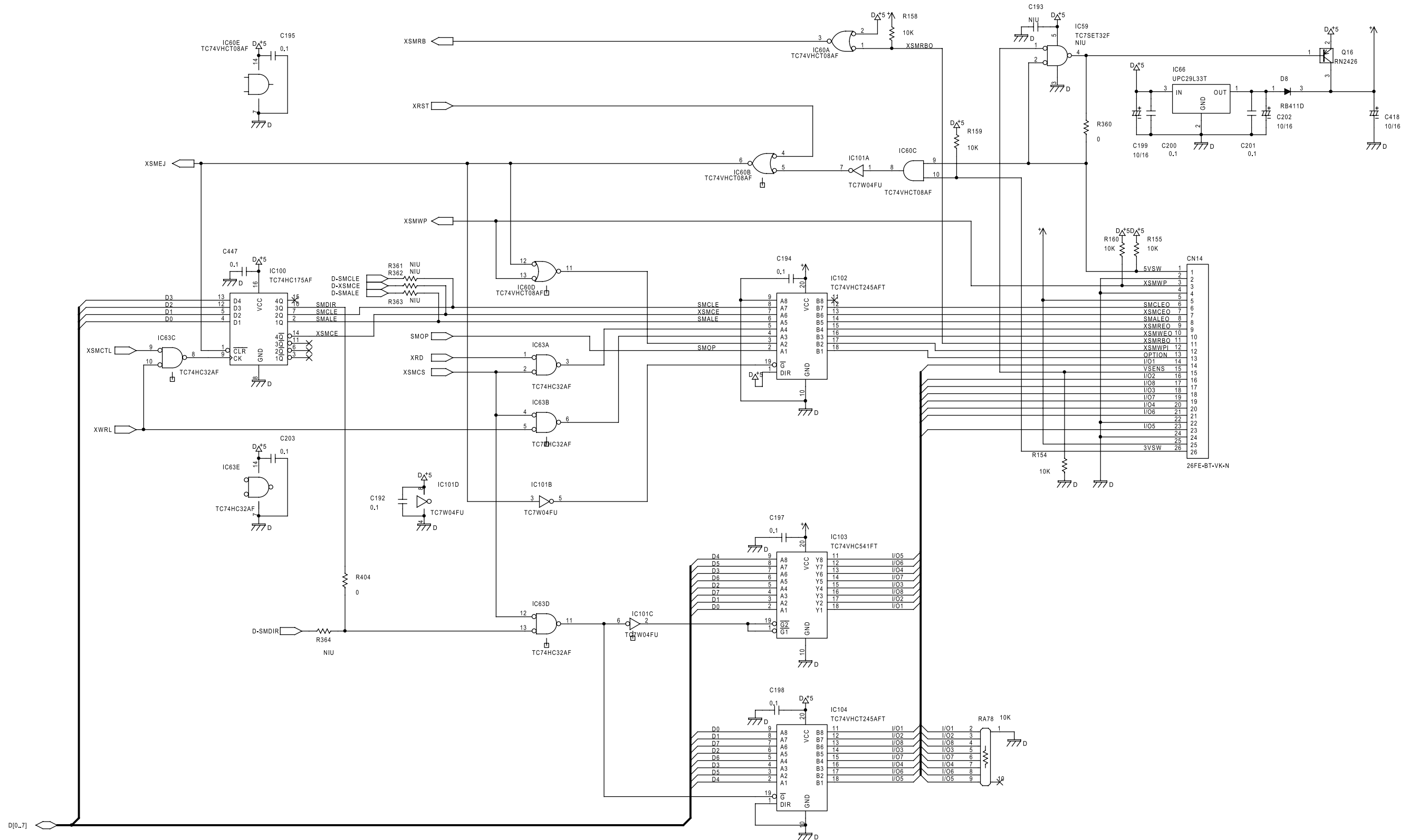
**A** **CIRCUIT DIAGRAM/ 回路図**  
**B** **MAIN BOARD**

C  
D  
E  
F  
G  
H  
I  
J  
K  
L  
M  
N  
O  
P  
Q  
R  
S  
T  
U



1 2 3 4 5 6 7 8 9 10 11 12 13 14 15 16 17 18 19 20 21 22 23 24 25 26 27 28

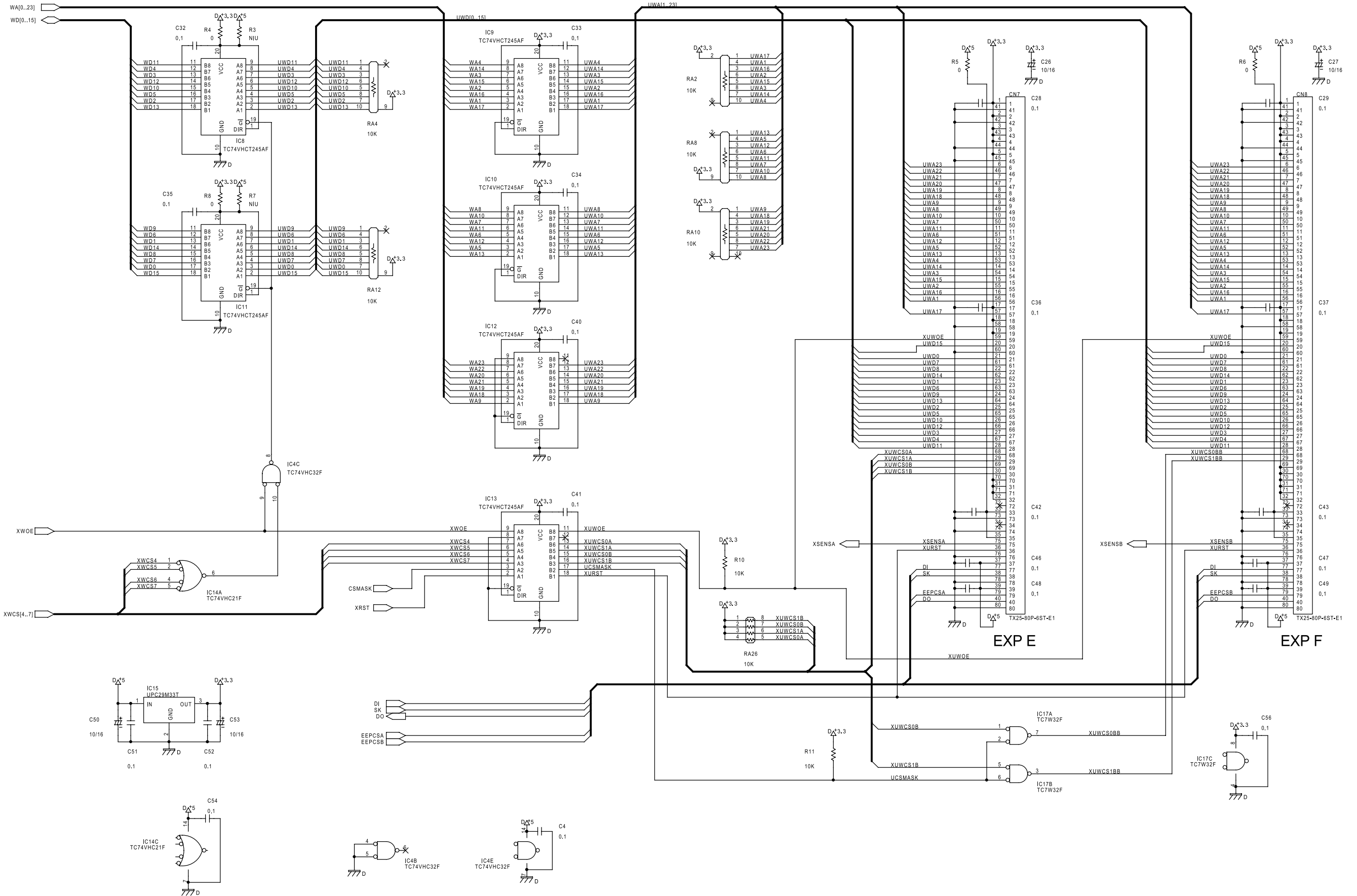
A **CIRCUIT DIAGRAM/ 回路图**  
B **MAIN BOARD**



1 2 3 4 5 6 7 8 9 10 11 12 13 14 15 16 17 18 19 20 21 22 23 24 25 26 27 28

# A CIRCUIT DIAGRAM/ 回路図

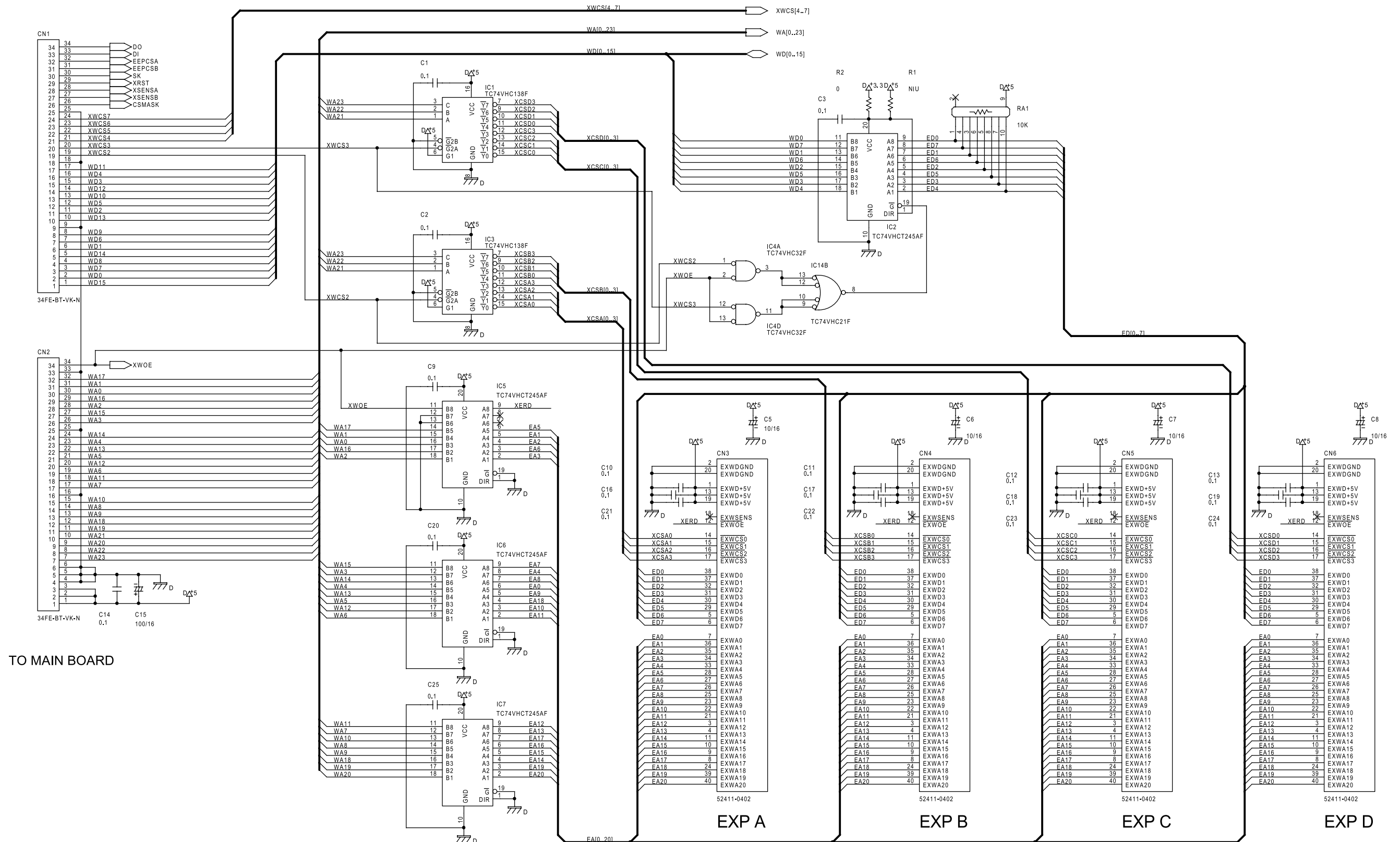
## B EXP BASE BOARD



1 2 3 4 5 6 7 8 9 10 11 12 13 14 15 16 17 18 19 20 21 22 23 24 25 26 27 28

A CIRCUIT DIAGRAM/ 回路図  
B EXP BASE BOARD

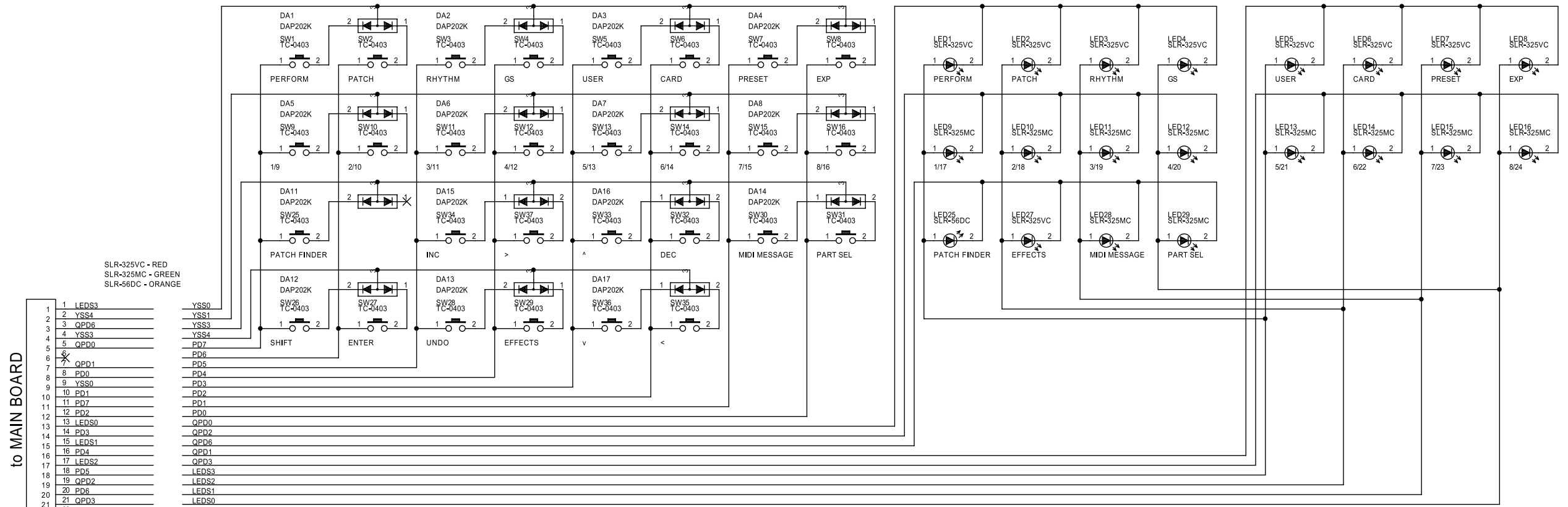
C  
D  
E  
F  
G  
H  
I  
J  
K  
L  
M  
N  
O  
P  
Q  
R  
S  
T  
U



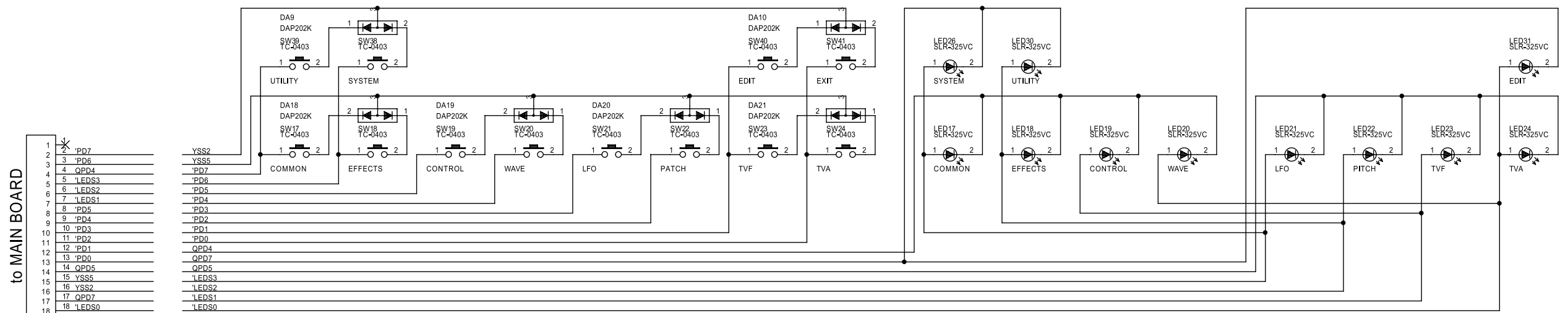
TO MAIN BOARD

1 2 3 4 5 6 7 8 9 10 11 12 13 14 15 16 17 18 19 20 21 22 23 24 25 26 27 28

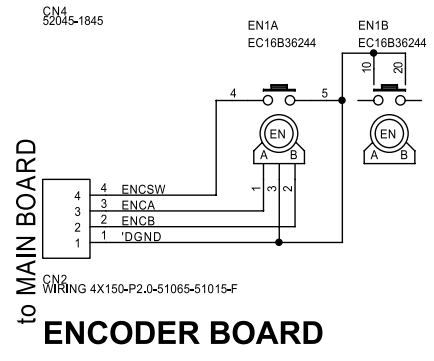
A **CIRCUIT DIAGRAM/ 回路図**  
B **PANEL-A BOARD, PANEL-B BOARD, ENCODER BOARD**



**PANEL-A BOARD**



**PANEL-B BOARD**

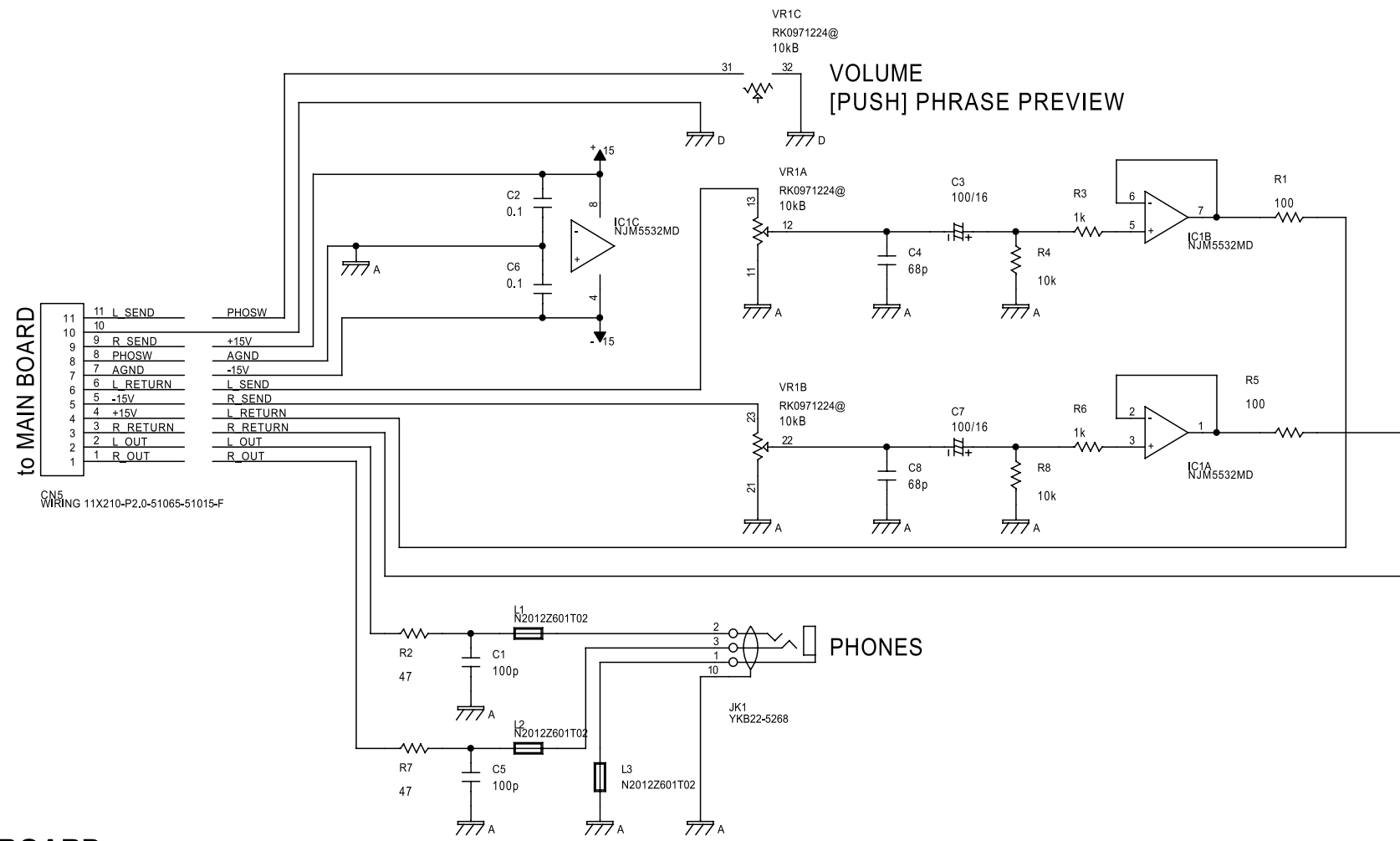


**ENCODER BOARD**

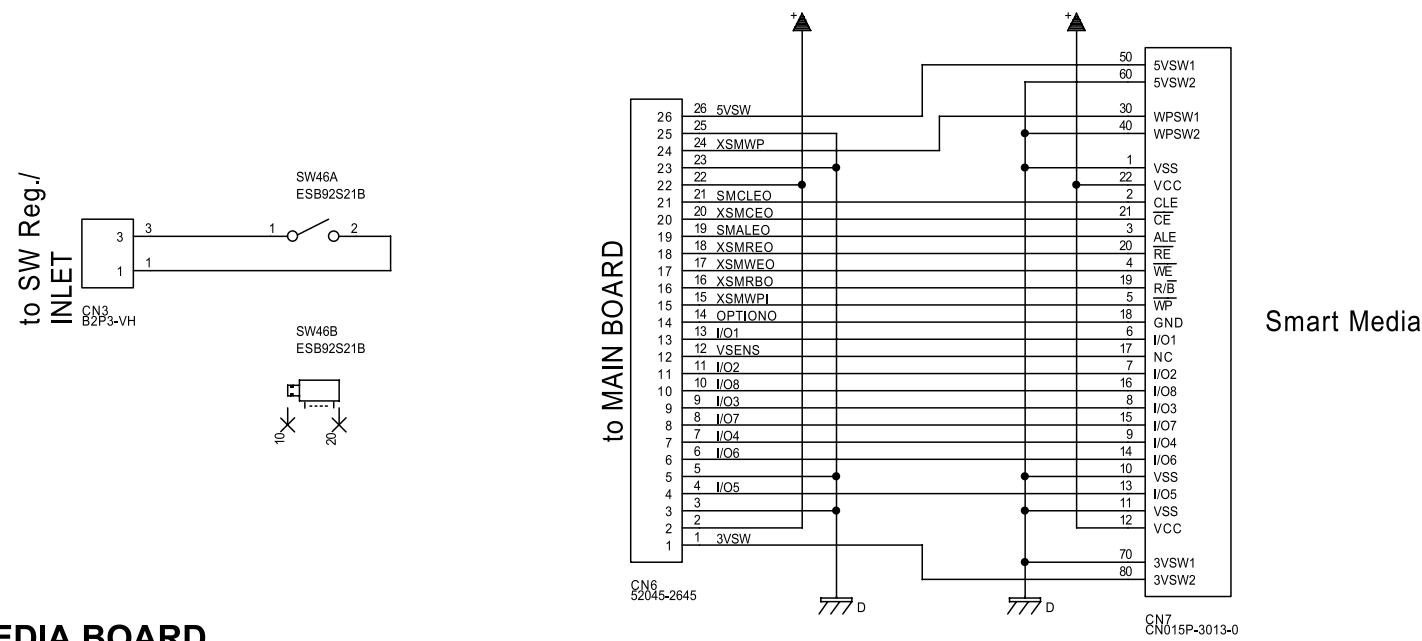


1 2 3 4 5 6 7 8 9 10 11 12 13 14 15 16 17 18 19 20 21 22 23 24 25 26 27 28

**A CIRCUIT DIAGRAM/ 回路図**  
**B PHONES BOARD, MEDIA BOARD**



**M PHONES BOARD**



**T MEDIA BOARD**

## Error Messages

### Battery Low

Situation: The internal backup battery that is preserving the contents of user memory has run down.

Action: Consult your dealer or a nearby Roland service station to have the battery replaced.

### File Format Error

Situation: The XV-3080 cannot handle this file.

### File I/O Error

Situation: It was not possible to save/load a file.

Action: Try the operation once again. If the same message appears, that file has been damaged. Delete the damaged file.

### File Name Duplicate

Situation: A file of the same name exists on the memory card.

Action: Use a different file name.

### File Name Format Error

Situation: A file name has not been assigned.

Action: Assign a file name.

### File not Found

Situation: The specified file was not found.

Action: Insert the memory card that contains the specified file, and try the operation once again.

### Memory Card Full

Situation: There is insufficient space available on the memory card to save the data.

Action: Either insert a different memory card, or delete unnecessary data and try the operation once again.

### Memory Card I/O Error

Situation: It is possible that the memory card has been scratched or otherwise damaged.

Action: If the memory card has been damaged, do not use that memory card. If the same error message appears repeatedly, consult your dealer or a nearby Roland service station.

### Memory Card not Ready

Situation: A memory card is not inserted in the MEMORY CARD slot.

Action: Turn off the power, and insert a memory card.

### Memory Card Write Protected

Situation: Since a write protect sticker is affixed to the memory card, data cannot be saved to the card bank.

Action: Remove the write protect sticker from the memory card.

## エラー・メッセージ

操作に誤りがあったり、操作どおりに正しく処理できなかつたりしたときは、ディスプレイにエラー・メッセージが表示されます。表示されたエラー・メッセージの指示にしたがって、対処してください。エラー・メッセージはアルファベット順に並べています。

### Battery Low

原因：本体内のバックアップ・バッテリー（ユーザー・メモリーのデータを保持するための電池）の寿命です。

対応：お買い上げ店または最寄りのローランド・サービスに電池の交換を依頼してください。

### File Format Error

原因：XV-3080では扱えないファイルです。

### File I/O Error

原因：ファイルのセーブ/ロードができません。

対応：もう一度操作を繰り返してください。同じメッセージが表示される場合、そのファイルは壊れているので削除してください。

### File Name Duplicate

原因：メモリー・カードに同じ名前のファイルがあります。

対応：ファイル・ネームを変更してください。

### File Name Format Error

原因：ファイル・ネームが付いていません。

対応：ファイル・ネームを付けてください。

### File not Found

原因：指定のファイルが見つかりません。

対応：指定のファイルが入っているメモリー・カードに入れ替えて操作し直してください。

### Memory Card Full

原因：メモリー・カードの空き容量が不足しているため、データを保存できません。

対応：他のメモリー・カードに入れ替えるか、不要なデータを削除してから操作し直してください。

### Memory Card I/O Error

原因：メモリー・カードに傷が付いている可能性があります。

対応：メモリー・カードに傷が付いているときは、そのメモリー・カードを使わないようにしてください。同じメッセージが何度も表示されるときは、お買い上げ店または最寄りのローランド・サービスに修理を依頼してください。

### Memory Card not Ready

原因：MEMORY CARD スロットにメモリー・カードが入っていません。

対応：いったん電源を切って、メモリー・カードを入れてください。

### Memory Card Write Protected

原因：メモリー・カードにライト・プロテクト・シールが貼られているため、カード・バンクへ保存できません。

対応：メモリー・カードのライト・プロテクト・シールを剥がしてから操作し直してください。

### MIDI Buffer Full

Situation: Due to an inordinate volume of MIDI messages received, theXV-3080 has failed to process them properly.

Action: Reduce the amount of MIDI messages to be transmitted.

### MIDI Communication Error

Situation: A problem has occurred with the MIDI cable connections.

Action: Check that MIDI cables are not broken or pulled out.

### Receive Data Error

Situation: A MIDI message was received incorrectly.

Action: If the same error message is displayed repeatedly, there is a problem with the MIDI messages that are being transmitted to the XV-3080.

### Unformatted Memory Card

Situation: This memory card cannot be used by the XV-3080.

Action: Format the memory card on the XV-3080.

### User Memory Damaged

Situation: The data in user memory has been lost.

Action: Use the Factor Reset function (UTILITY/UTIL 2/FACTORY RESET) to initialize the memory to the factory settings.

### User Memory Write Protected

Situation 1: The Internal parameter (UTILITY/UTIL 1/PROTECT/WRITE PROTECT) is turned ON.

Action 1: Turn the Internal parameter OFF.

Situation 2: The Exclusive parameter (UTILITY/UTIL 1/PROTECT/WRITE PROTECT) is turned ON, and Exclusive messages cannot be received.

Action 2: Turn the Exclusive parameter OFF.

### MIDI Buffer Full

原因：受信した MIDI メッセージの量が多いため、正しく処理できませんでした。

対応：送信する MIDI メッセージの量を減らしてください。

### MIDI Communication Error

原因：MIDI ケーブルの接続に問題があります。

対応：MIDI ケーブルの抜けや断線がないことを確認してください。

### Receive Data Error

原因：MIDI メッセージが正しく受信できませんでした。

対応：何度も同じメッセージが表示されるときは、MIDI メッセージの内容に問題があります。

### Unformatted Memory Card

原因：XV-3080では扱えないメモリー・カードです。

対応：XV-3080でメモリー・カードをフォーマットしてください。

### User Memory Damaged

原因：ユーザー・メモリーのデータが壊れています。

対応：FACTORY RESET 機能 (UTILITY/UTIL 2/FACTORY RESET) の操作で、お買い上げ時の設定に戻してください。

### User Memory Write Protected

原因 1：Internal パラメーター (UTILITY/UTIL 1/PROTECT/WRITE PROTECT) がオンに設定されています。

対応 1：Internal パラメーターをオフにしてください。

原因 2：Exclusive パラメーター (UTILITY/UTIL 1/PROTECT/WRITE PROTECT) がオンに設定されているため、エクスクルーシブ・メッセージを受信できません。

対応 2：Exclusive パラメーターをオフにしてください。



