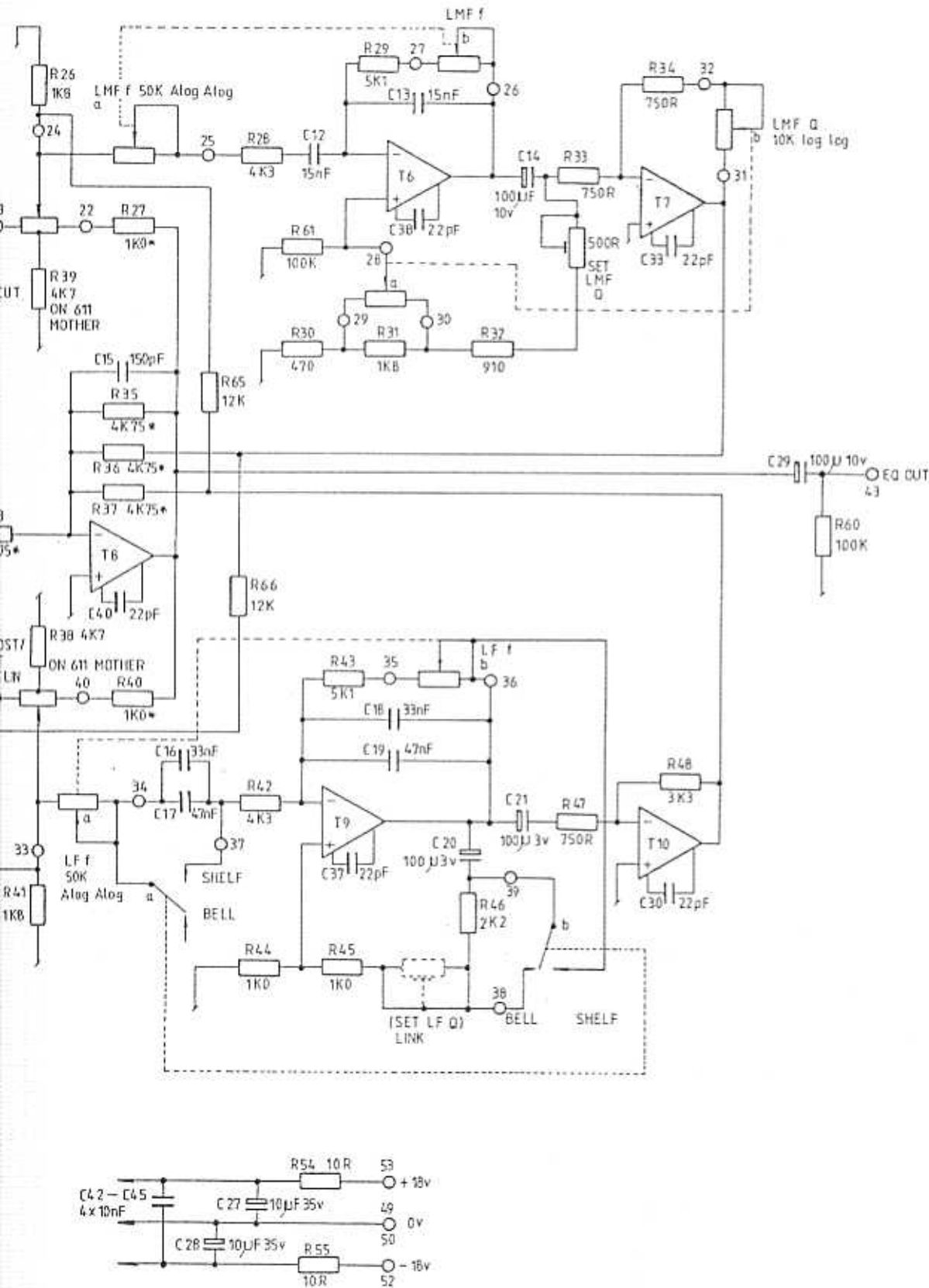


Rev	Date	Chkd	Details
6	3.84	PL	REDRAWN VB



NOTES.

1. IC'S ARE 5534
2. R66, R65, 64, 63 ARE ON BACK OF PCB
3. *INDICATES 0.5% RESISTOR

Title	
EQUALISER + FILTERS	
Org. No.	T82002-71
Solid State Logic	
1-19	