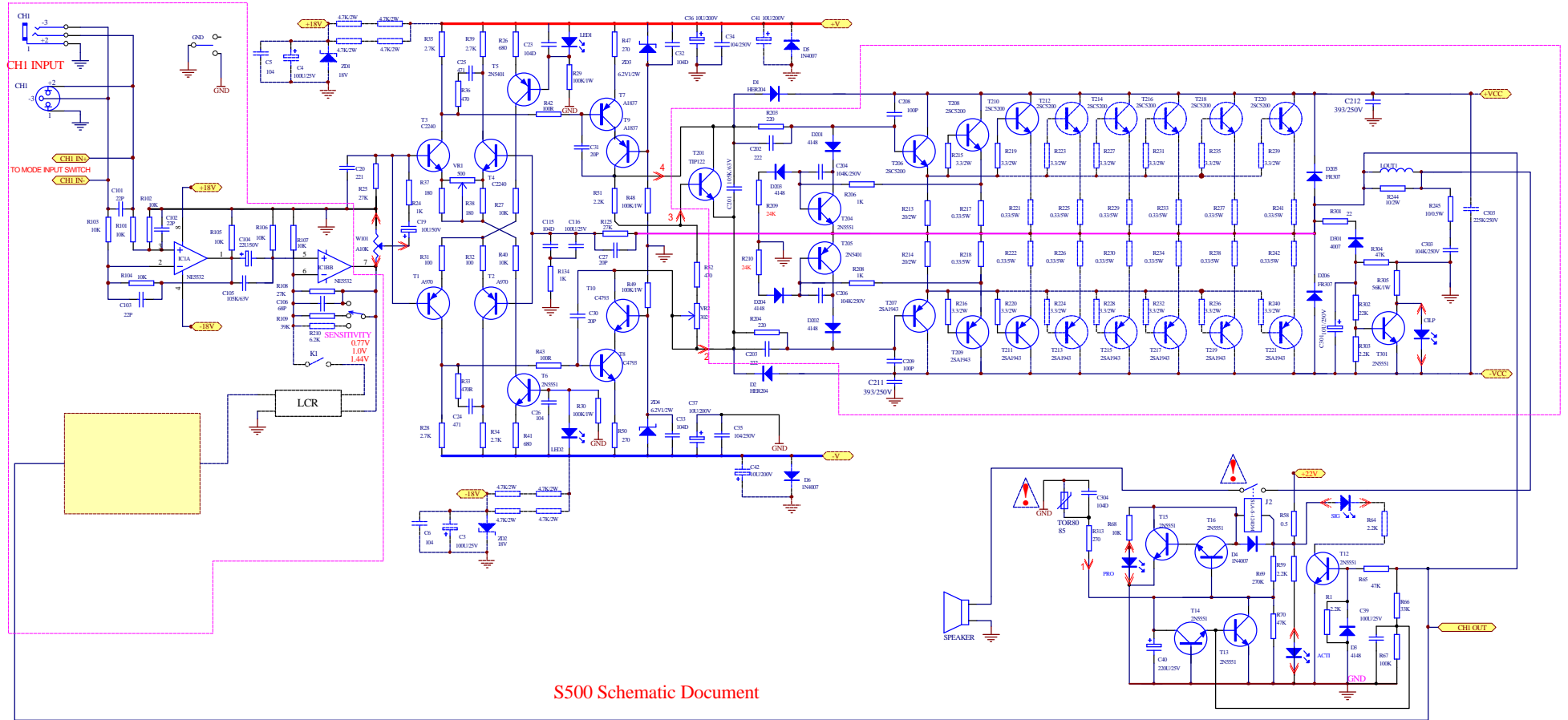
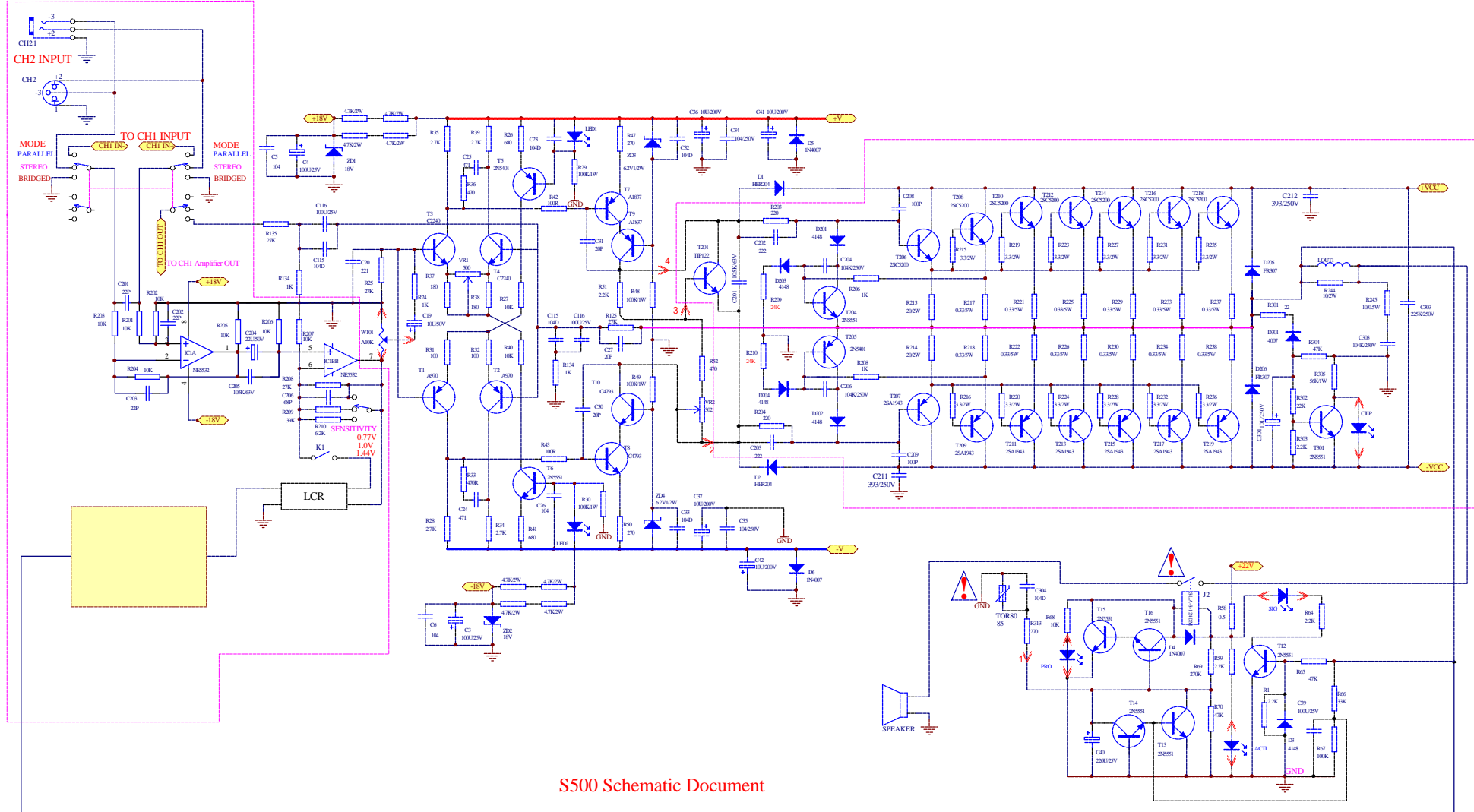


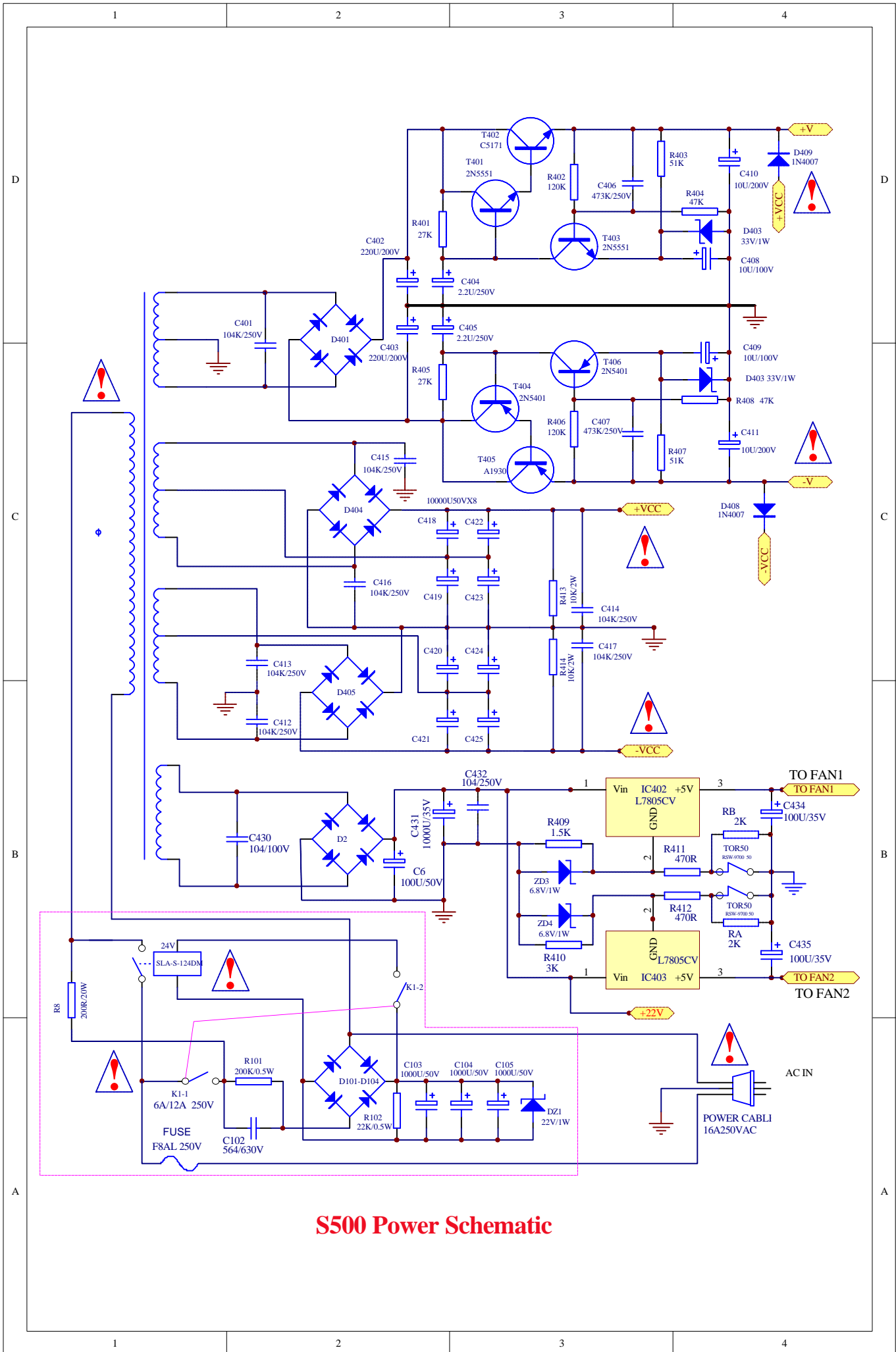
CH1 Power Amplifier



CH2 Power Amplifier



S500 Schematic Document



S500 Power Schematic