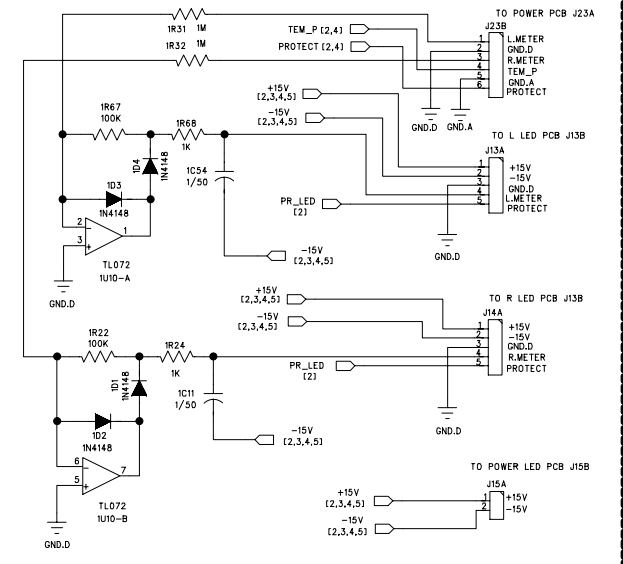
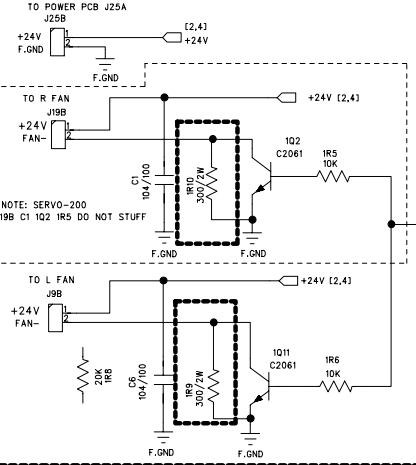
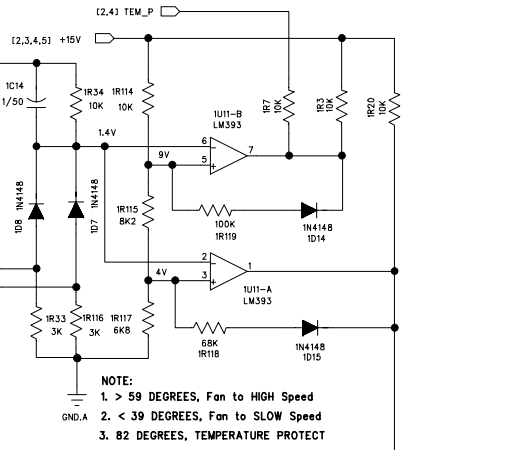
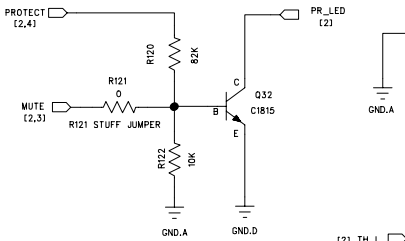
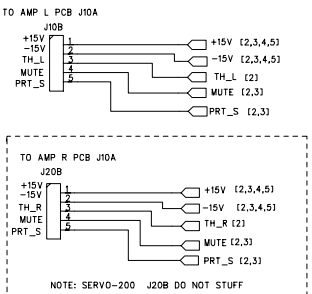
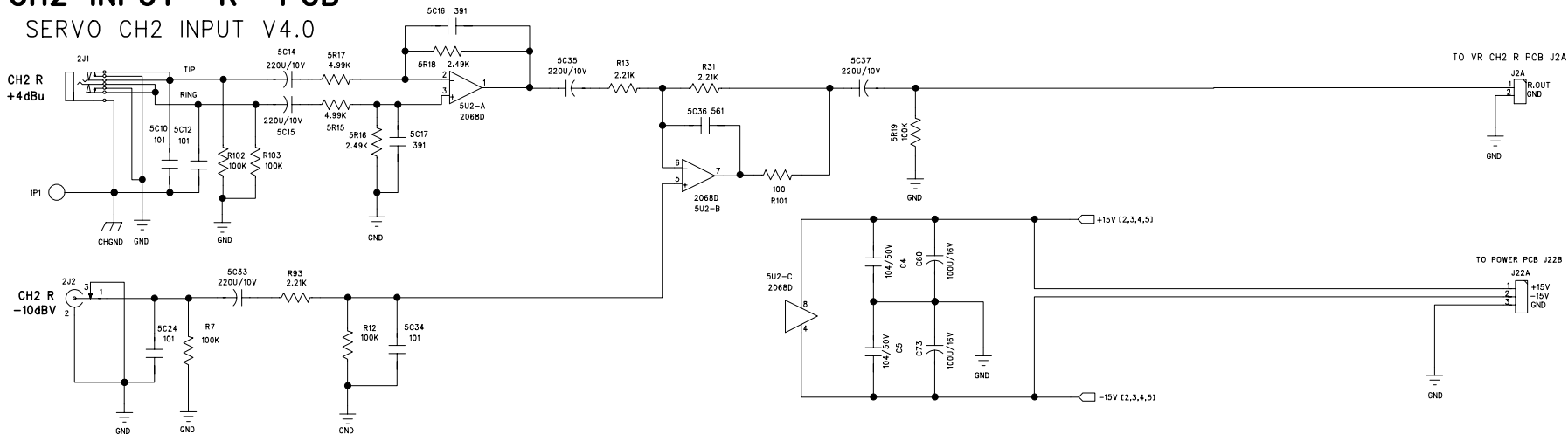


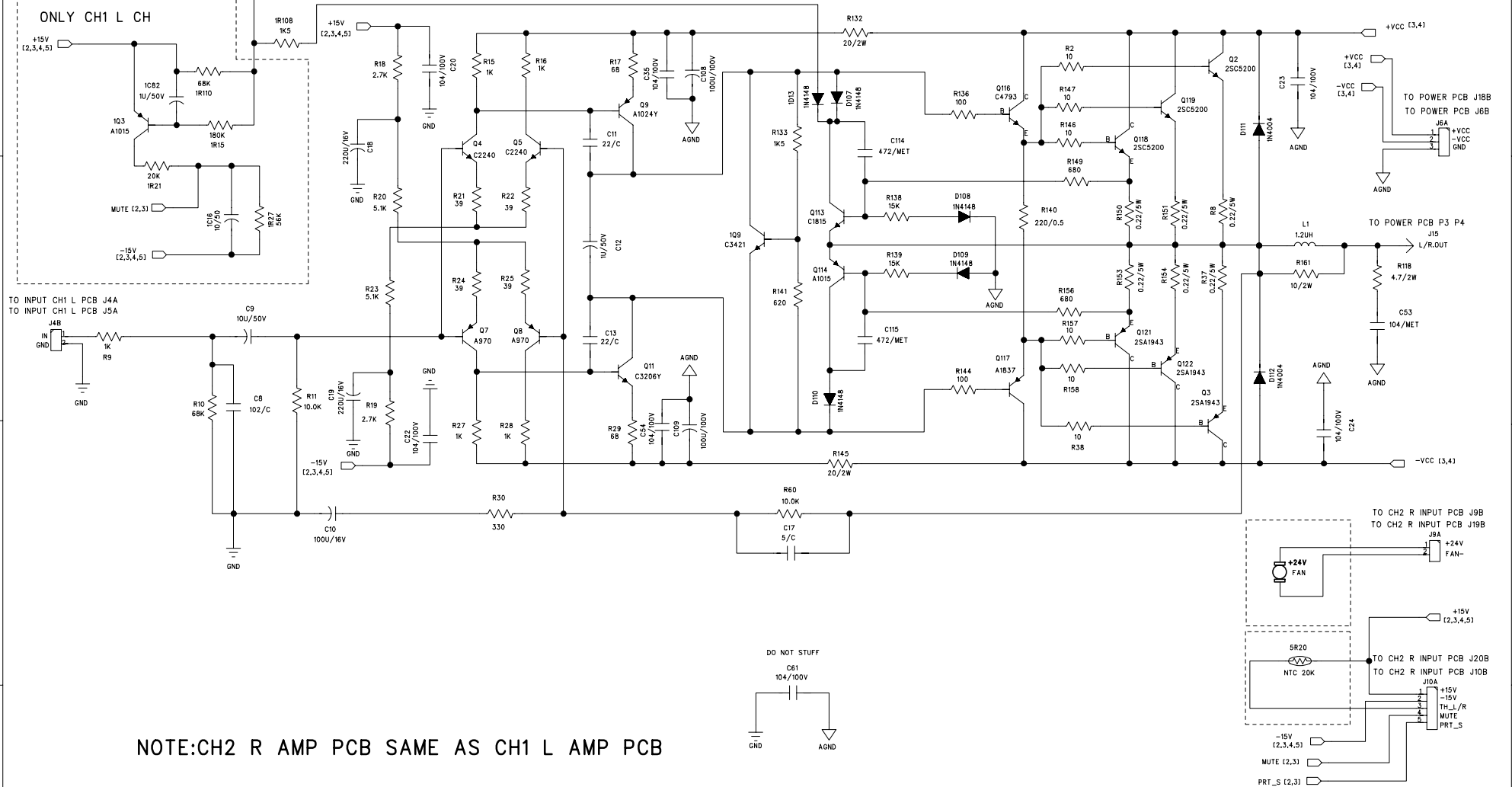
CH2 INPUT R PCB

SERVO CH2 INPUT V4.0



COMPANY: Samson Technologies					
TITLE: SERVO 200/300/600 CH2 INPUT PCB					
DRAWN: WYH	DATED: 04.09.11	CHECKED:	DATED:	APPROVED:	DATED:
DWG NO: PT-X-XXXX-XX	SCALE:	SIZE: A2	REV: 1.1	SHEET: 2 OF 5	

AMP PCB SERVO 600 AMP V1.0



NOTE:CH2 R AMP PCB SAME AS CH1 L AMP PCB

UBAL INPUT -8dBV -----OUTPUT 215W/8 OHM

BAL INPUT +6dBu -----OUTPUT 210W/8 OHM

UBAL INPUT -10dBV-----OUTPUT 275w/4 OHM

BAL INPUT +4dBu-----OUTPUT 275W/4 OHM

COMPANY: Samson Technologies					
TITLE: SERVO 600 AMP/LCH/RCH/ PCB					
DRAWN: WYH	DATED: 04.09.11	CHECKED:	DATED:	APPROVED:	DATED:
DWG NO: PT-X-XXXXX-XX	SCALE:	SIZE:A2	REV:1.00	SHEET: 3 OF 5	

D

C

B

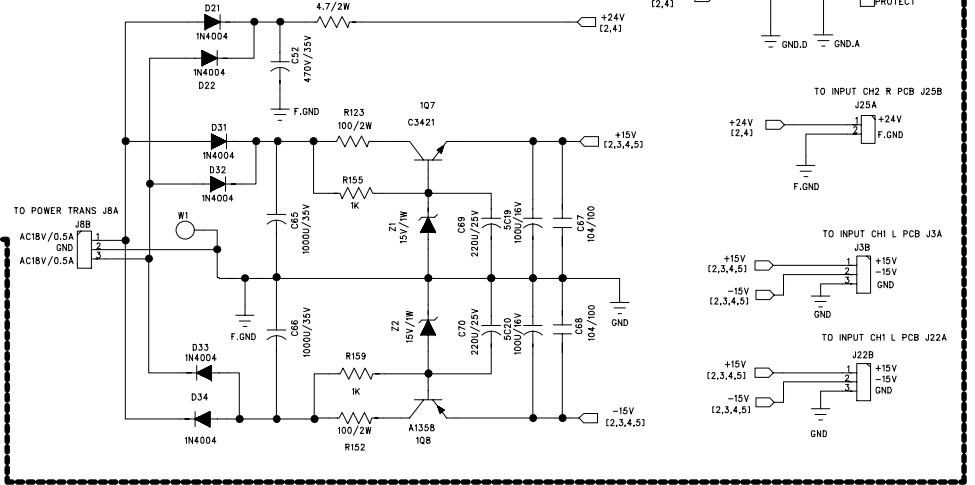
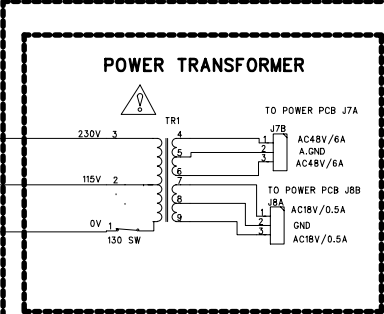
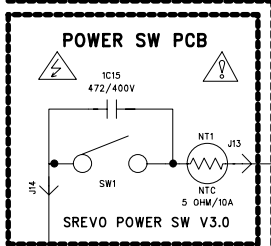
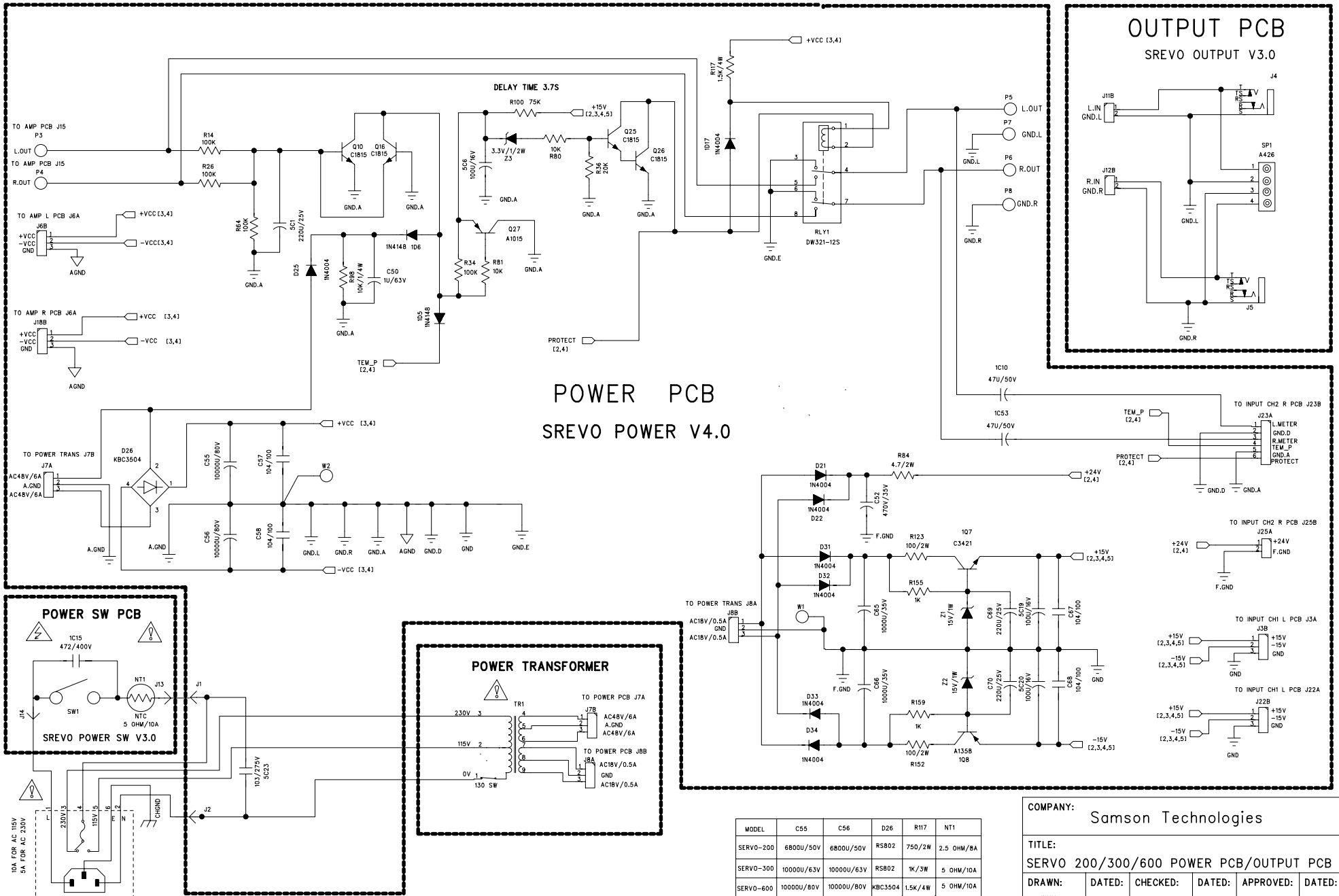
A

D

C

B

A



OUTPUT PCB
SREVO OUTPUT V3.0

MODEL	C55	C56	D26	R117	NT1
SERVO-200	6800u/50V	6800u/50V	RS802	750/2W	2.5 OHM/8A
SERVO-300	10000u/63V	10000u/63V	RS802	1K/3W	5 OHM/10A
SERVO-600	10000u/80V	10000u/80V	KBC3504	1.5K/4W	5 OHM/10A

COMPANY: **Samson Technologies**

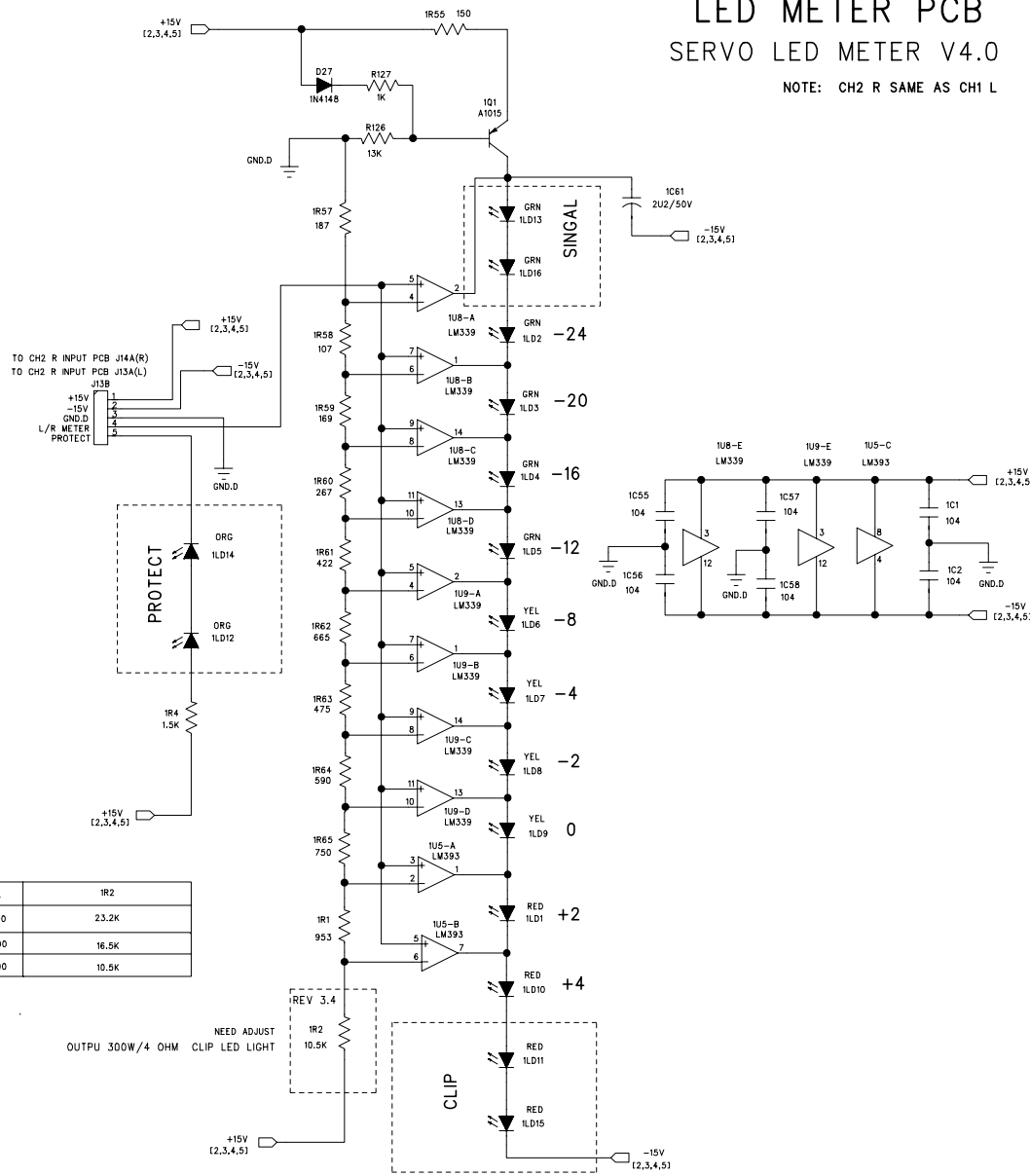
TITLE: **SERVO 200/300/600 POWER PCB/OUTPUT PCB**

DRAWN: WYH	DATED: 04.09.11	CHECKED:	DATED:	APPROVED:	DATED:
DWG NO: PT-X-XXXXX-XX	SCALE:	SIZE:A2	REV:1.0	SHEET: 4 OF 5	

LED METER PCB

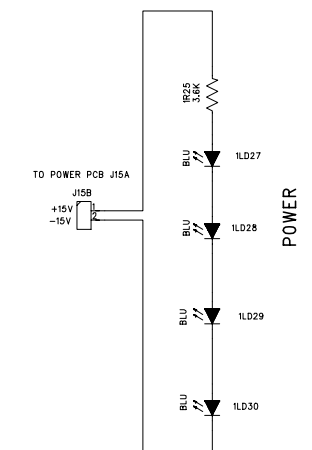
SERVO LED METER V4.0

NOTE: CH2 R SAME AS CH1 L



POWER LED PCB

SERVO POWER LED V3.0



COMPANY: Samson Technologies					
TITLE: SERVO 200/300/600 L R LED METER PCB					
DRAWN: WYH	DATED: 04.09.11	CHECKED:	DATED:	APPROVED:	DATED:
DWG NO: PT-X-XXXX-XX	SCALE:	SIZE:A2	REV:1.0	SHEET: 5 OF 5	