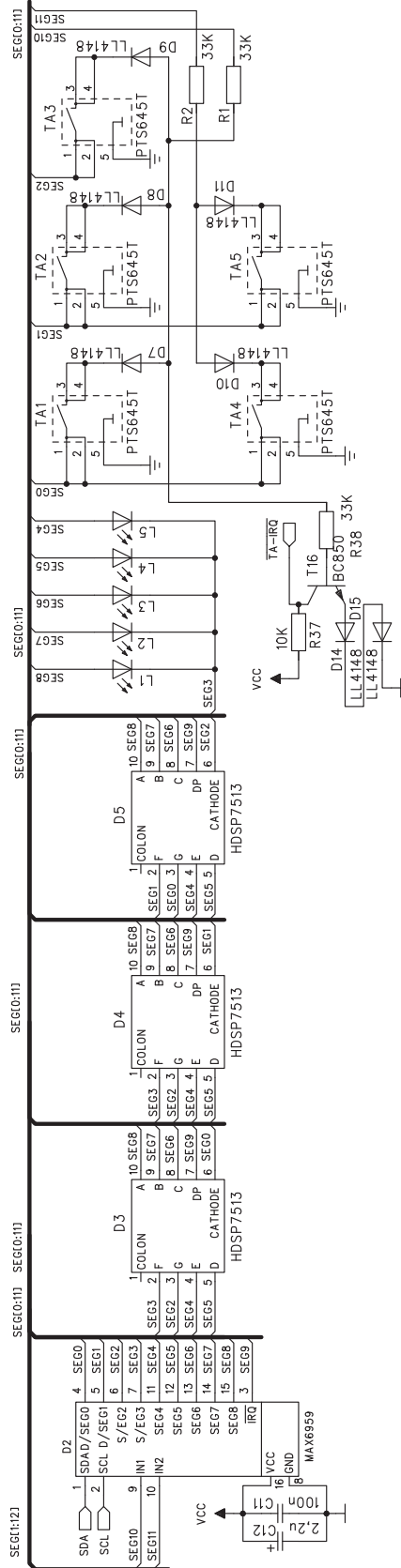
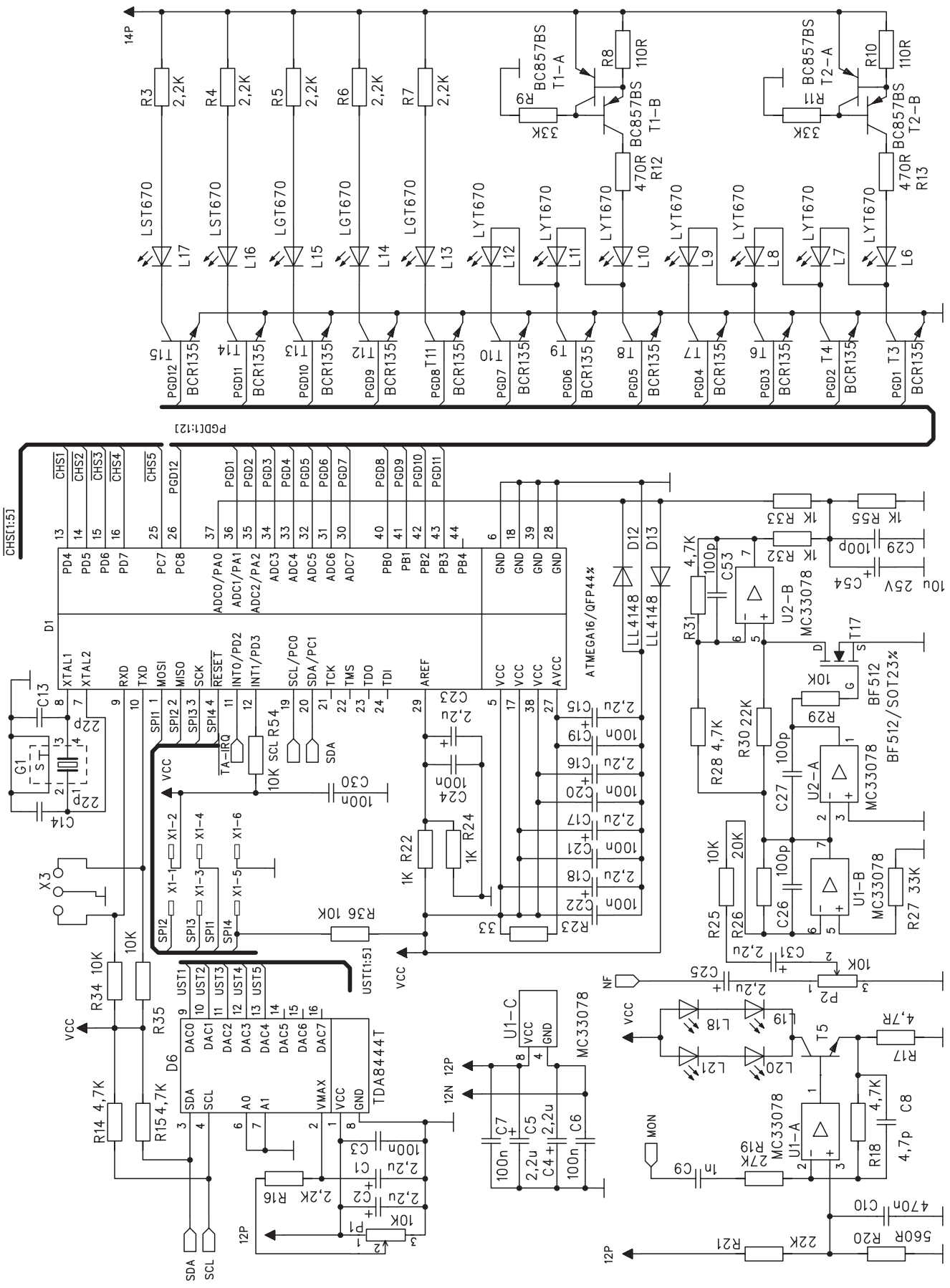
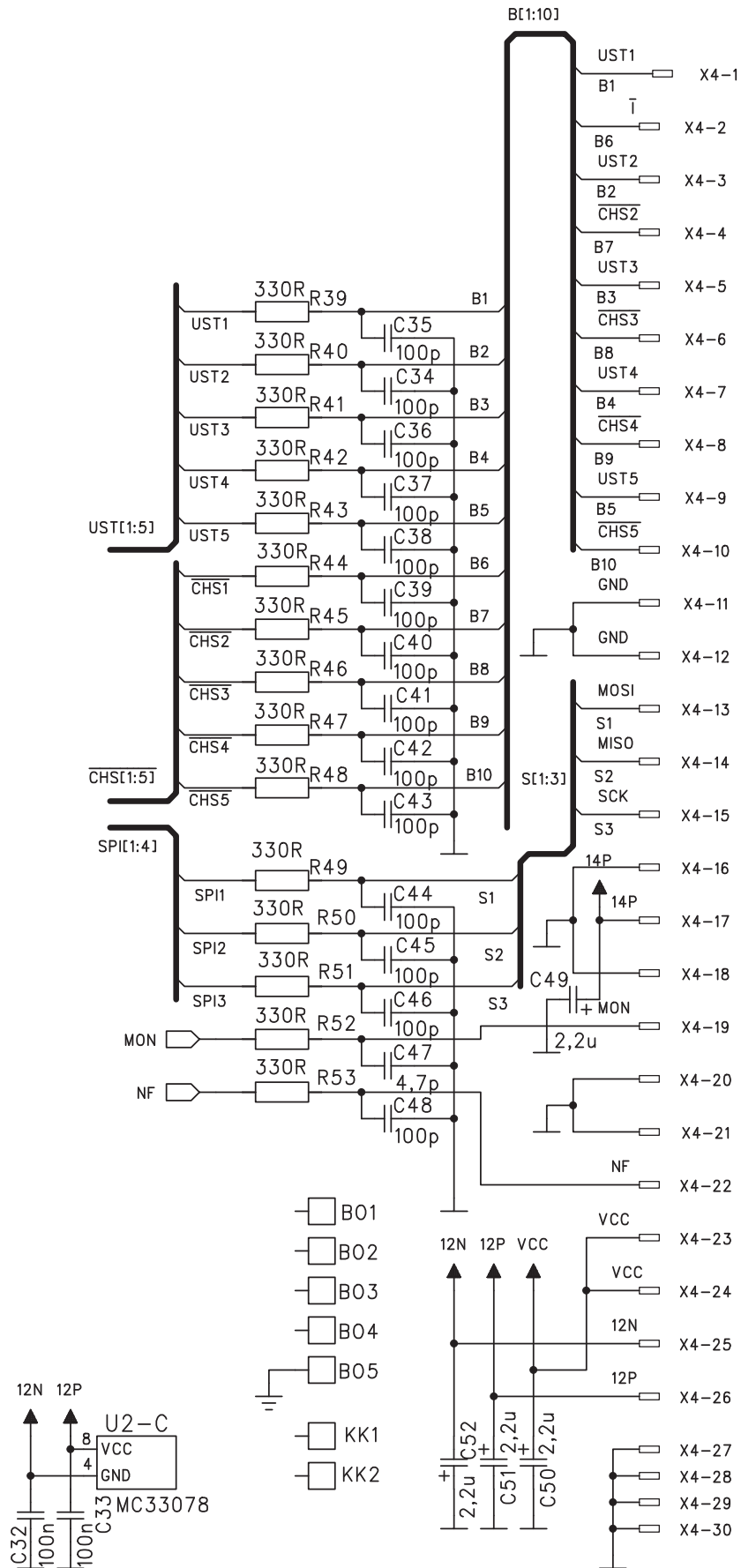


Subject to alterations





Circuit diagram part 2



Circuit diagram part 3

