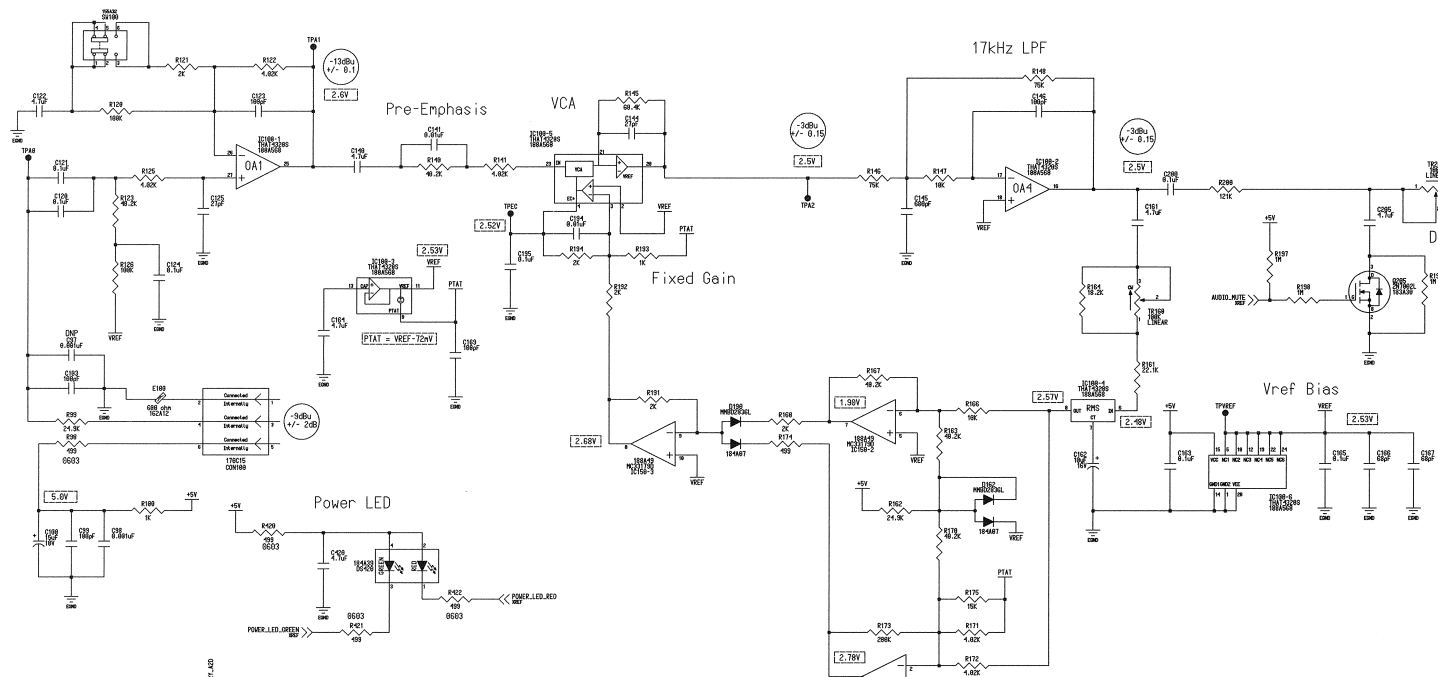


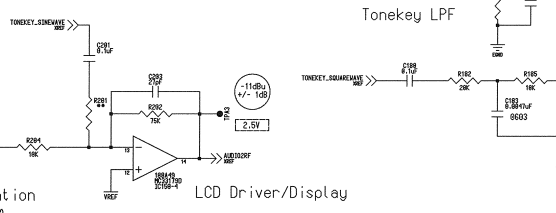
**PGX2 SCHEMATIC**

PGX2 - UHF HANDHELD TX

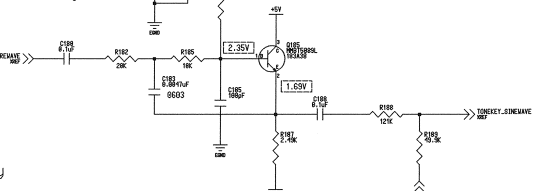
Front-End, User Gain Control



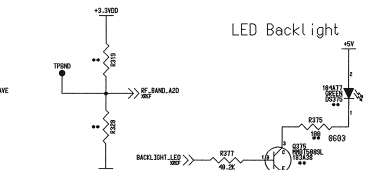
Tonekey Summing Amp



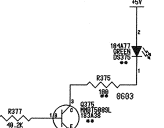
Tonekey LPF



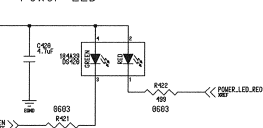
RF Band Voltage Divider



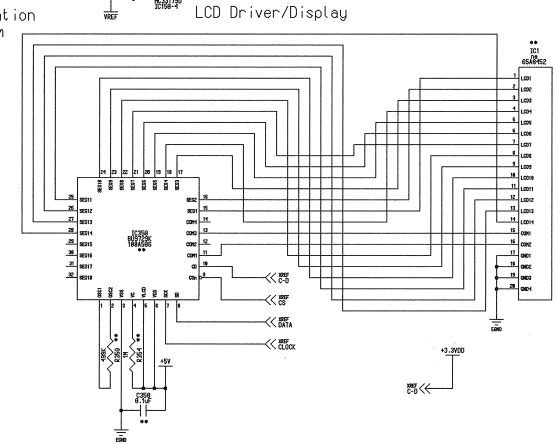
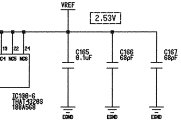
LED Backlight



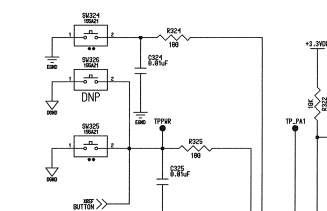
Power LED



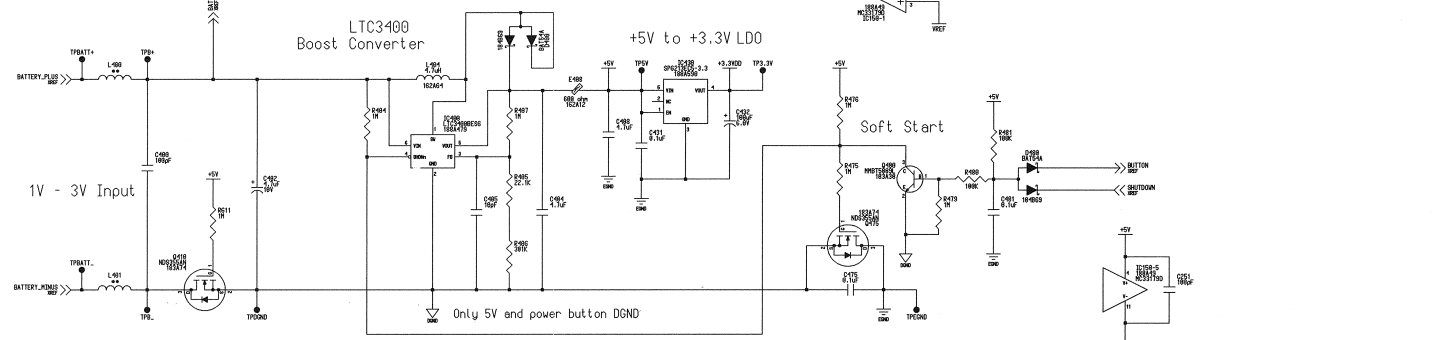
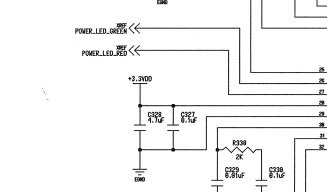
Vref Bias



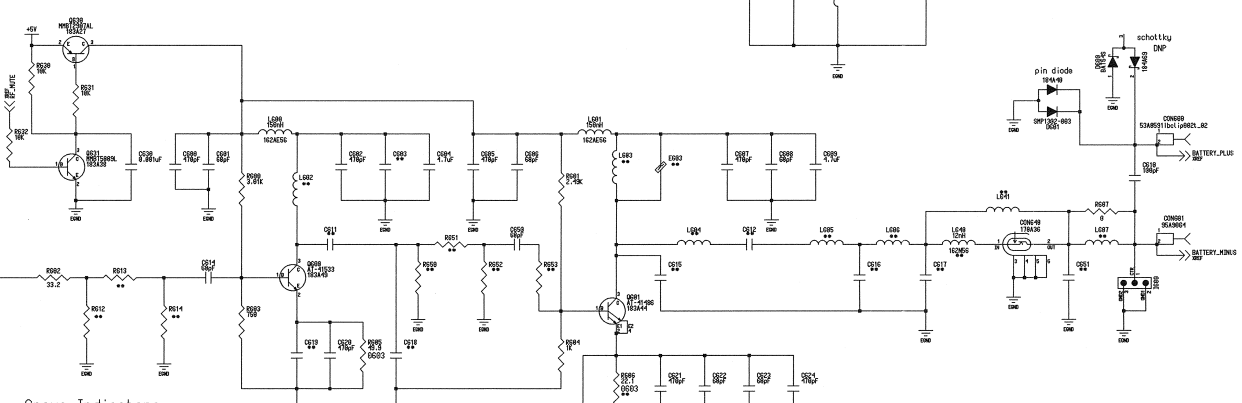
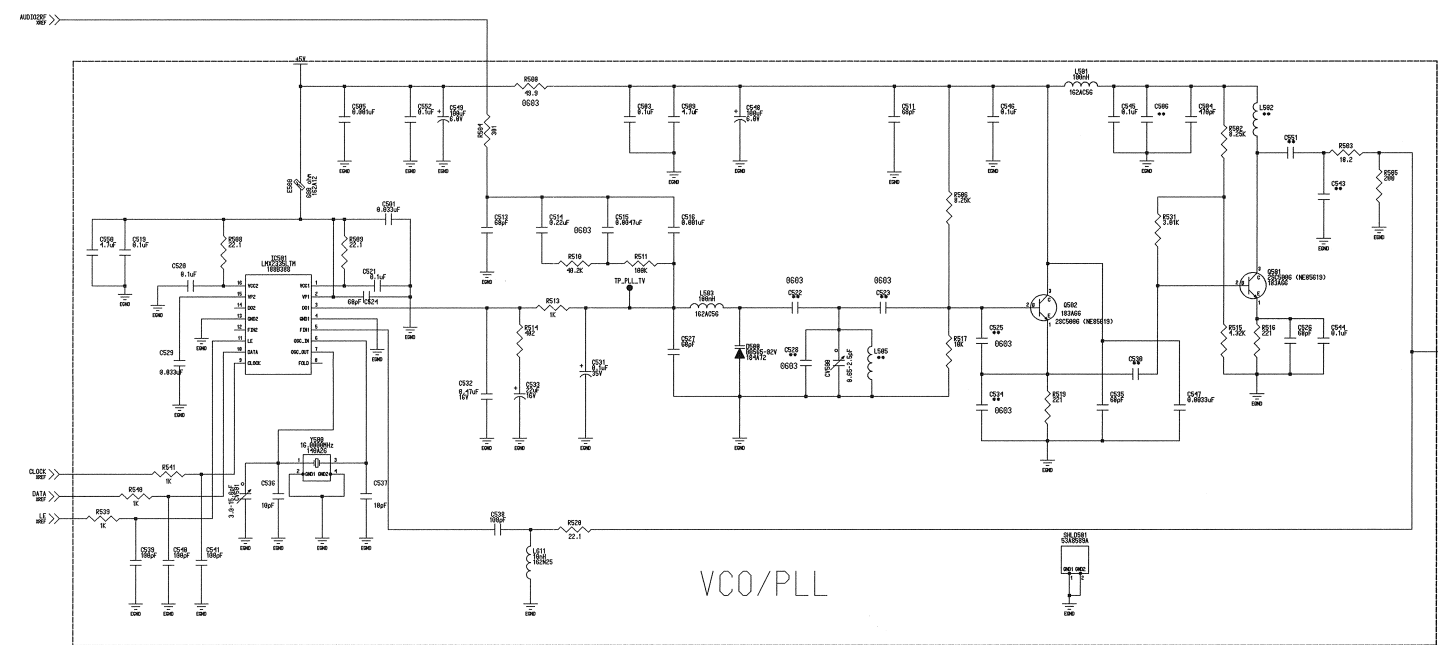
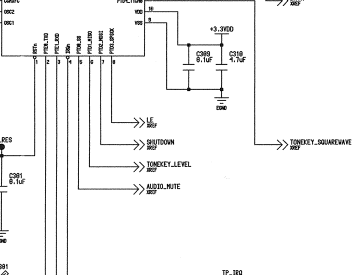
Select Button



Power Button



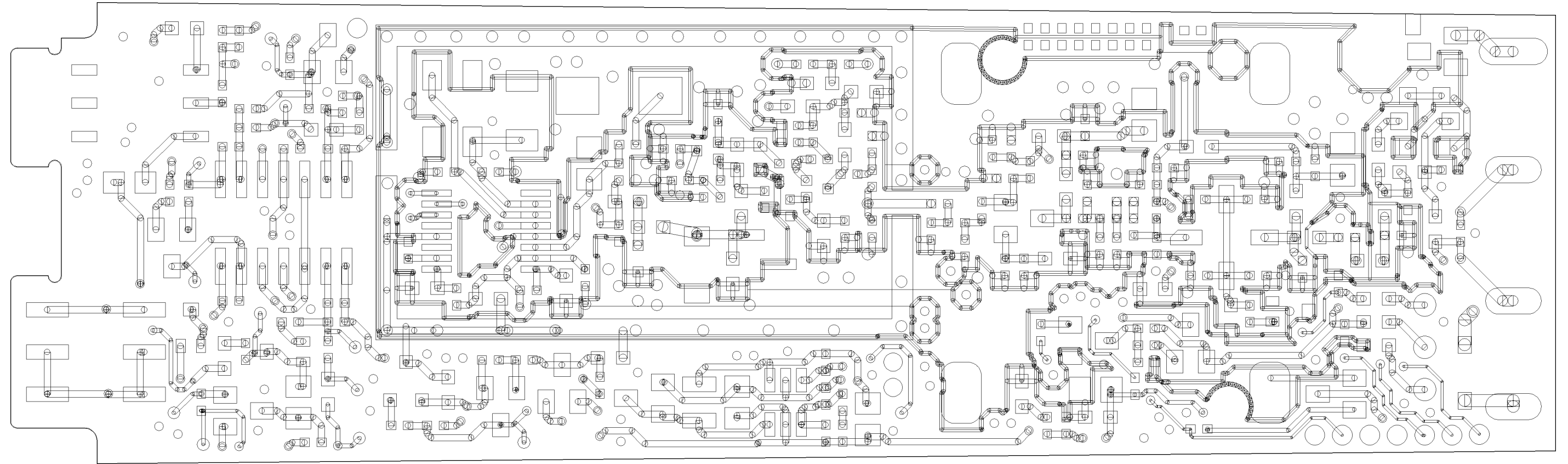
GR8



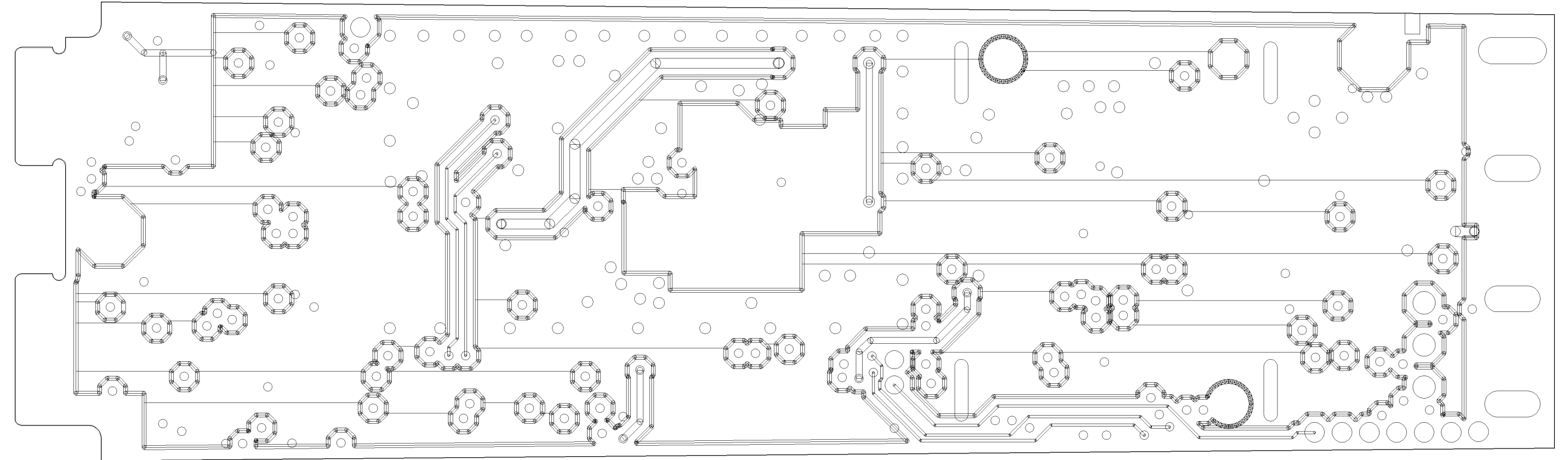
- Group Indicators
- H5 ~ A
  - J3 ~ B
  - L4 ~ C
  - P4 ~ D
  - Q4 ~ E
  - R5 ~ F
  - S6 ~ G
  - JB ~ H
  - SLX ~ SLX

NOTES:  
 Capacitors less than 0.1uF are 0402 unless otherwise specified  
 Resistors are 0402 unless otherwise specified  
 All 4.7uF caps are 0805 Y5V  
 All AC levels referenced to 33kHz deviation.  
 All DC levels measured with respect to given AC levels, and are +/- 0.1V unless specified.

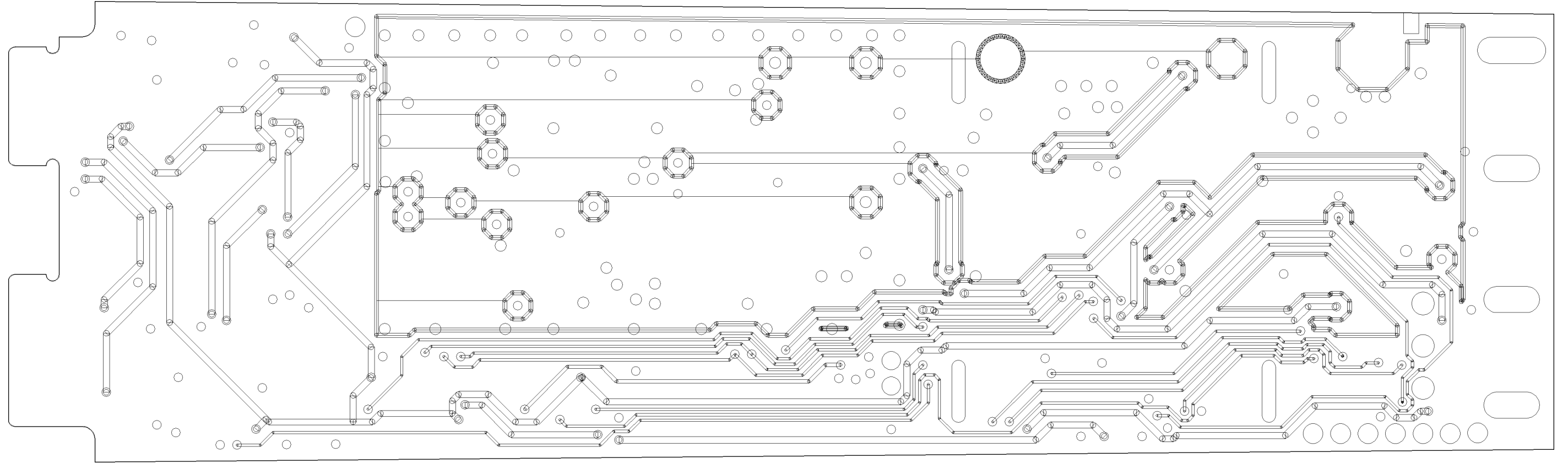
**PGX2 PC BOARD LAYER 1**



**PGX2 PC BOARD LAYER 2**



**PGX2 PC BOARD LAYER 3**



**PGX2 PC BOARD LAYER 4**

