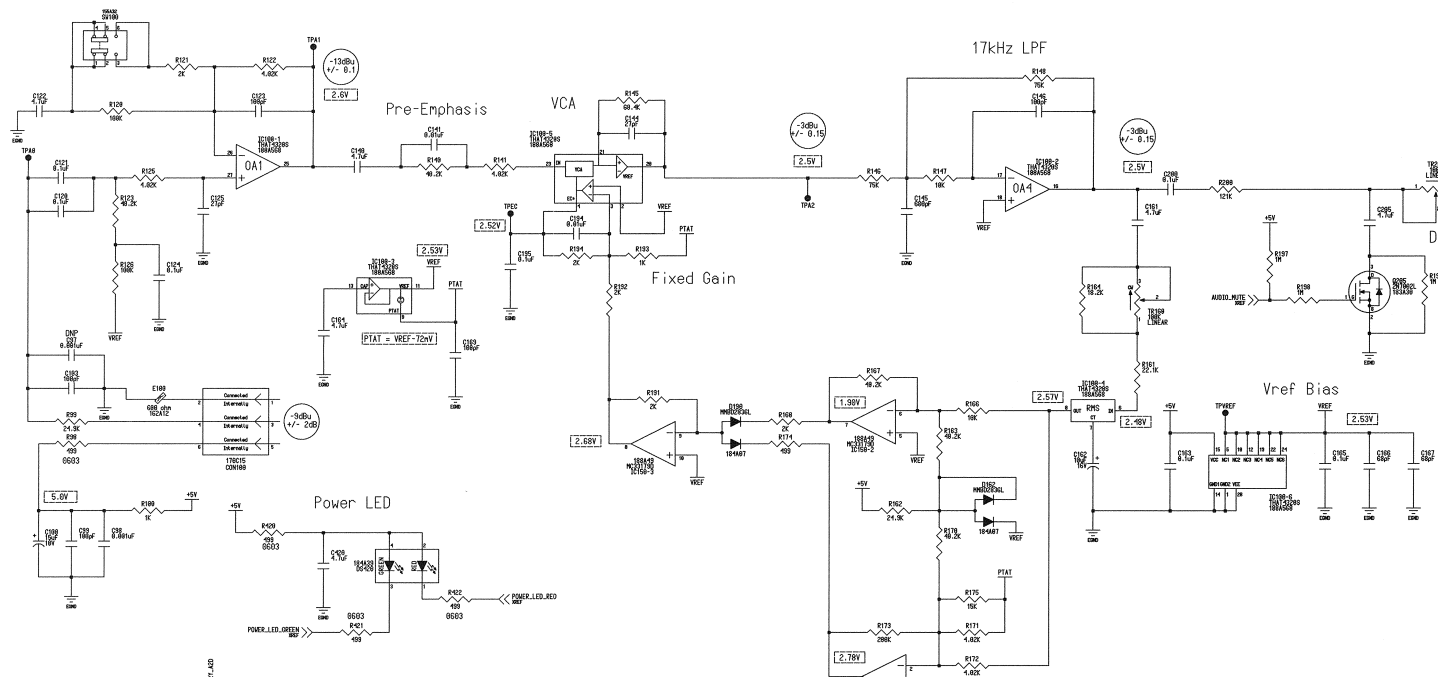


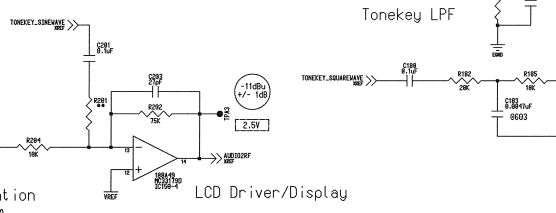
PGX2 SCHEMATIC

PGX2 - UHF HANDHELD TX

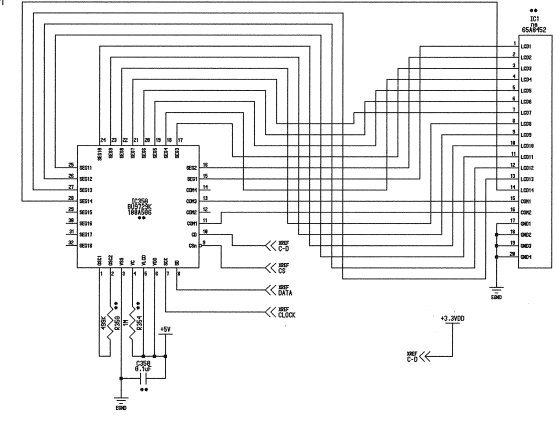
Front-End, User Gain Control



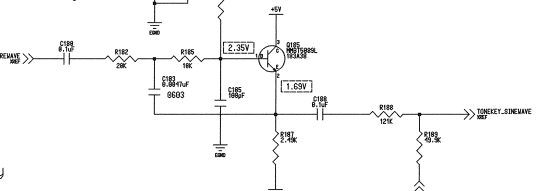
Tonekey Summing Amp



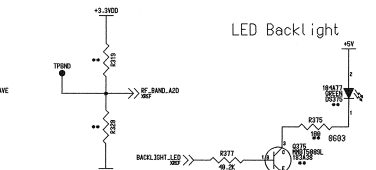
Deviation Trim



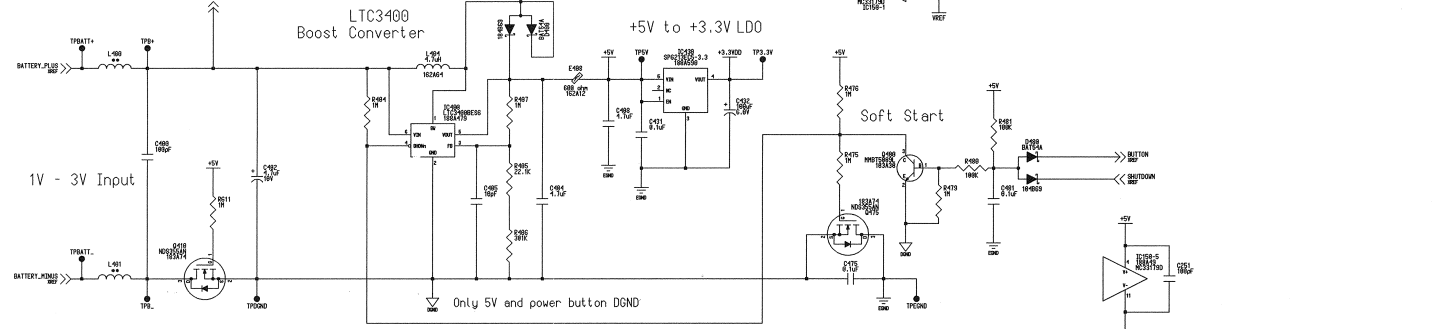
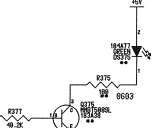
Tonekey LPF



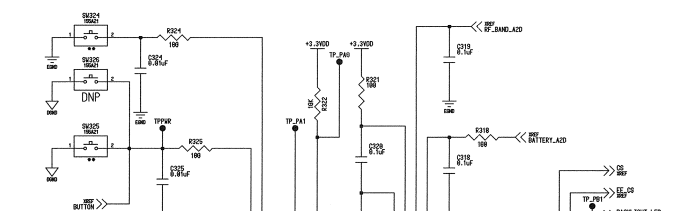
RF Band Voltage Divider



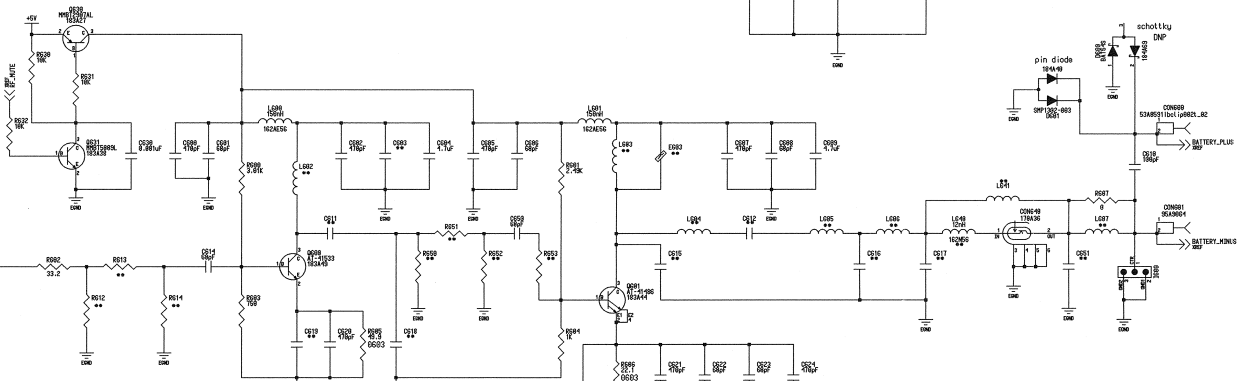
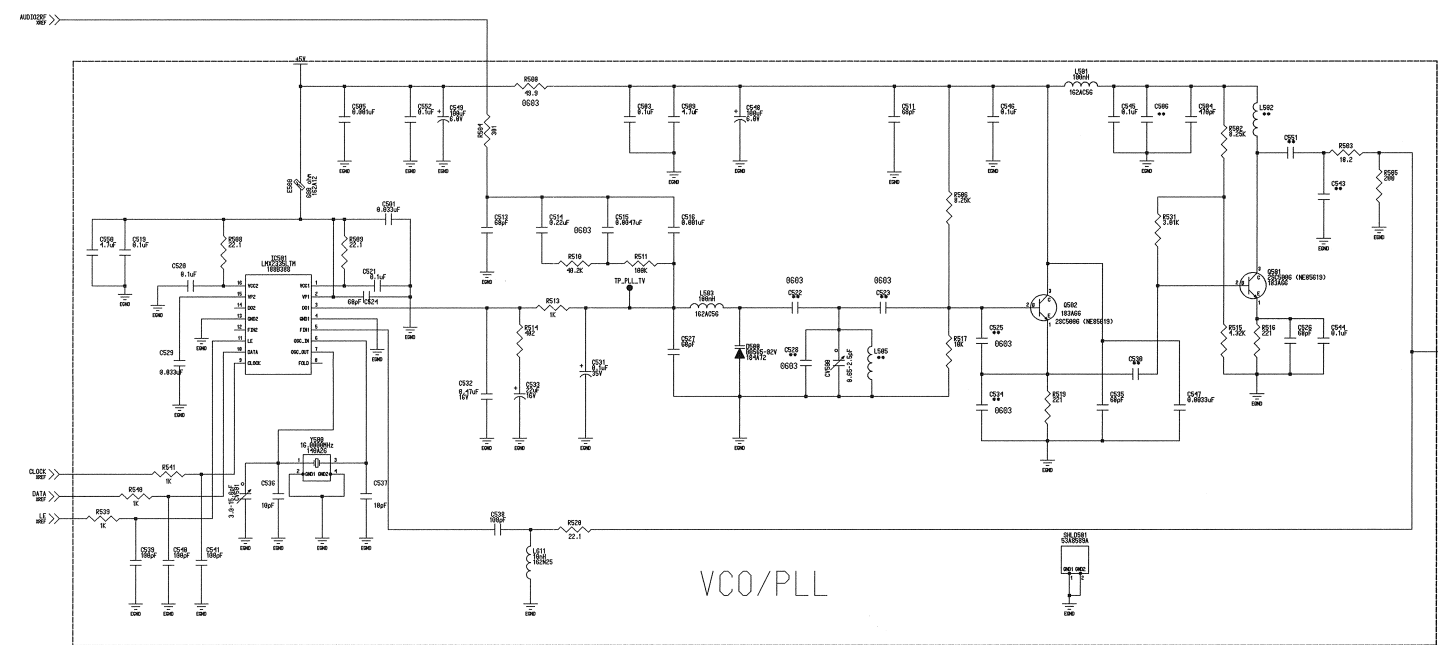
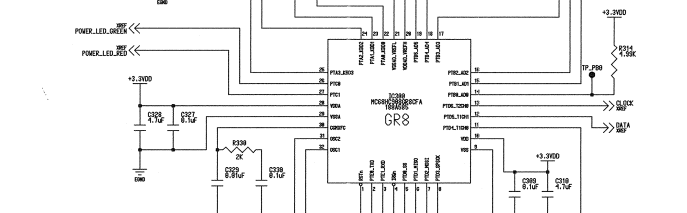
LED Backlight



Select Button



Power Button

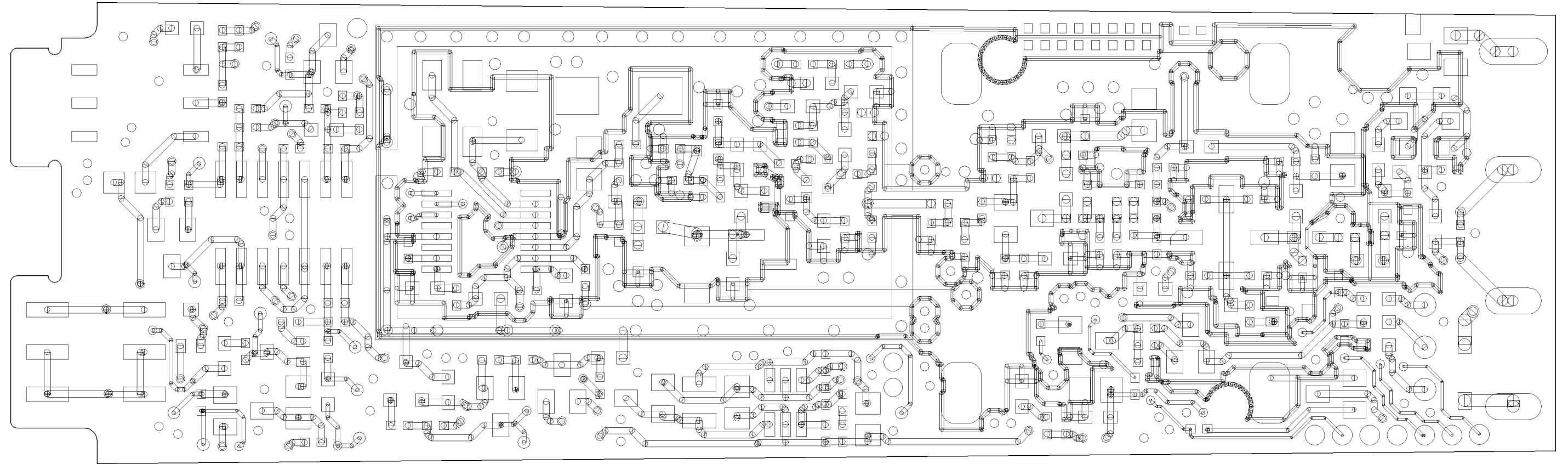


- Group Indicators
- H5 ~ A
 - J3 ~ B
 - L4 ~ C
 - P4 ~ D
 - Q4 ~ E
 - R5 ~ F
 - S6 ~ G
 - JB ~ H
 - SLX ~ SLX

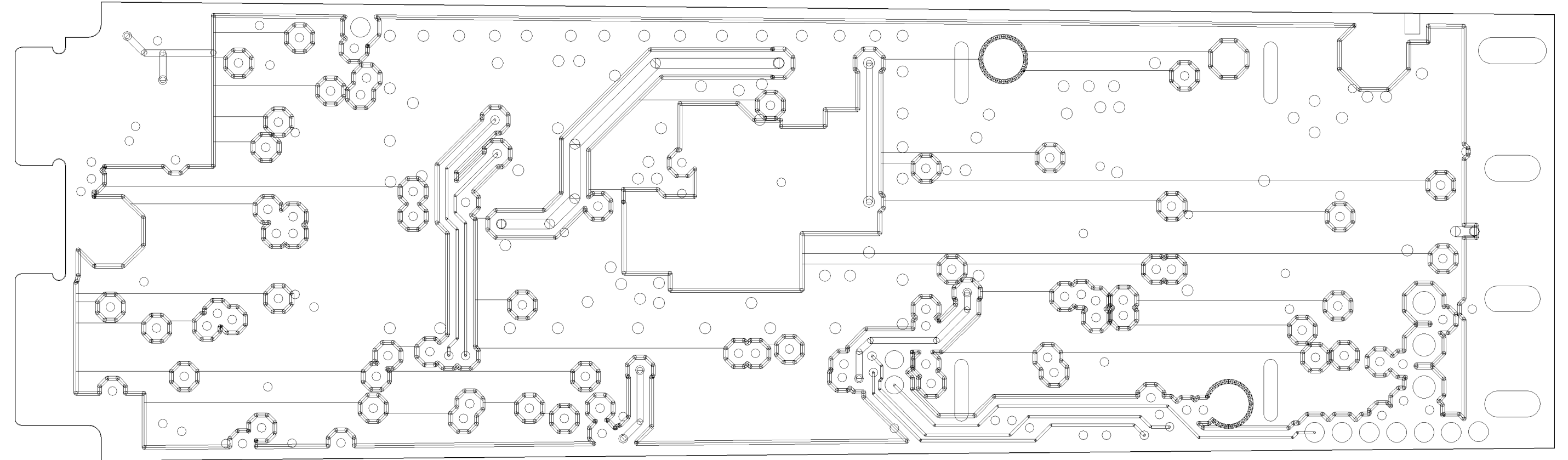
NOTES:

- Capacitors less than 0.1uF are 0402 unless otherwise specified
- Resistors are 0402 unless otherwise specified
- All 4.7uF caps are 0805 Y5V
- All AC levels referenced to 33kHz deviation.
- All DC levels measured with respect to given AC levels, and are +/- 0.1V unless specified.

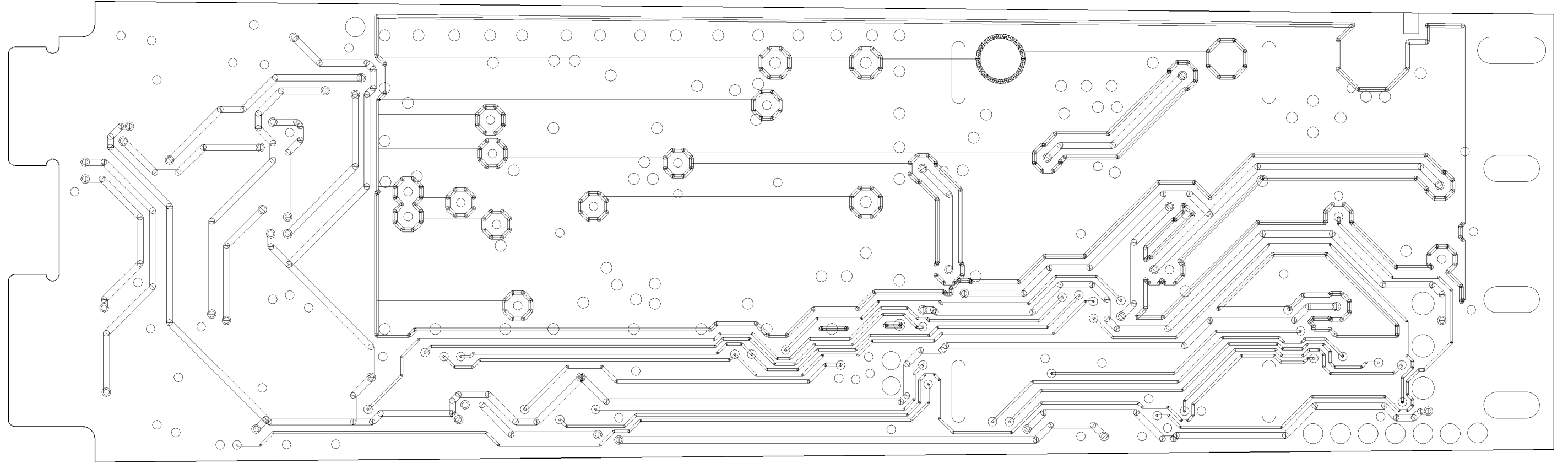
PGX2 PC BOARD LAYER 1



PGX2 PC BOARD LAYER 2



PGX2 PC BOARD LAYER 3



PGX2 PC BOARD LAYER 4

