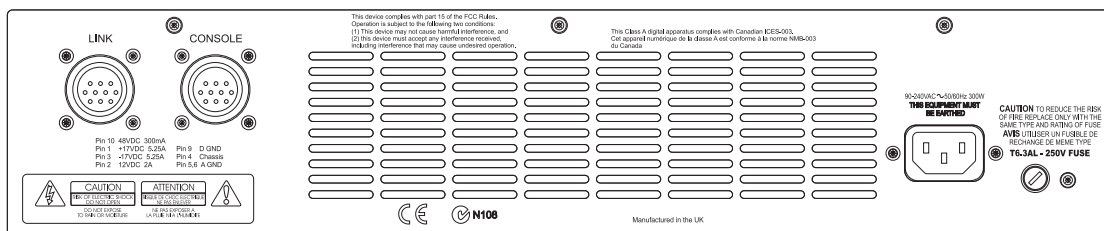
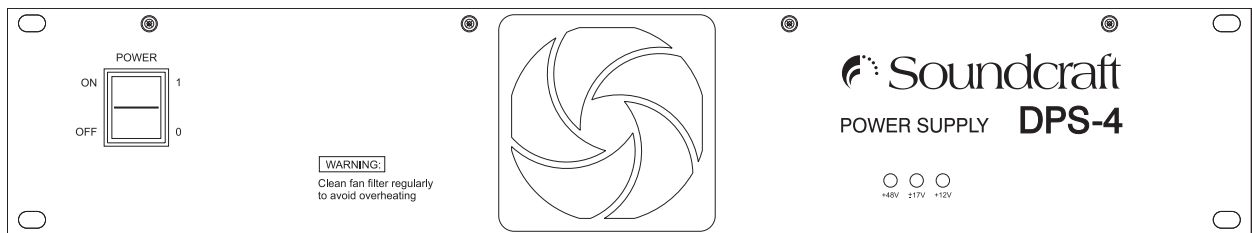


# DPS-4 Power Supply

## User Manual





**IMPORTANT**  
**Please read this manual carefully before using  
this power supply for the first time.**



This equipment complies  
with the EMC directive  
89/336/EEC  
Modified by  
92/31/EEC  
93/68/EEC  
91/263/EEC  
and LVD 73/23/EEC  
modified by 93/68/EEC

This product is approved to  
safety standards:

IEC 60065: 2001  
EN60065:2002  
UL6500 7th Edition: 2003  
CAN/CSA-E60065-03

And EMC standards  
EN55103-1: 1996 (E2)  
EN55103-2: 1996 (E2)

**For further details contact:**

Harman International Industries Ltd.  
Cranborne House, Cranborne Road  
Potters Bar, Hertfordshire, EN6 3JN, UK

Tel: +44 (0) 1707 665000  
Fax: +44 (0) 1707 660742  
e-mail: [info@soundcraft.com](mailto:info@soundcraft.com)

© Harman International Industries Ltd. 2005

All rights reserved

Parts of the design of this product may be protected by worldwide patents.

Part No. ZM0331-01

Soundcraft is a trading division of Harman International Industries Ltd. Information in this manual is subject to change without notice and does not represent a commitment on the part of the vendor. Soundcraft shall not be liable for any loss or damage whatsoever arising from the use of information or any error contained in this manual.

No part of this manual may be reproduced, stored in a retrieval system, or transmitted, in any form or by any means, electronic, electrical, mechanical, optical, chemical, including photocopying and recording, for any purpose without the express written permission of Soundcraft.



Harman International Industries Limited  
Cranborne House  
Cranborne Road  
POTTERS BAR  
Hertfordshire  
EN6 3JN  
UK

Tel: +44 (0)1707 665000  
Fax: +44 (0)1707 660742  
<http://www.soundcraft.com>

# Contents

IMPORTANT SAFETY INSTRUCTIONS	4
SAFETY SYMBOL GUIDE	6
Warranty	7
Connecting Up	8
Front Panel	8
Rear Panel	8
Pin-outs Of DC Output Connector	9
Linking DPS-4s	9
Routine Maintenance	9
Circuit Diagrams	10
PCB Layout	12
Dimensions Overall	12

# IMPORTANT SAFETY INSTRUCTIONS

Read these instructions.

Keep these instructions.

Heed all warnings.

Follow all instructions.

Do not use this apparatus near water.

Clean only with a dry cloth.

Do not block any ventilation openings. Install in accordance with the manufacturer's instructions.

Do not install near any heat sources such as radiators, heat registers, stoves, or other apparatus (including amplifiers) that produce heat.

Do not defeat the safety purpose of a polarised or grounding type plug. A polarised plug has two blades with one wider than the other. A grounding type plug has two blades and a third grounding prong. The wide blade or the third prong are provided for your safety. If the provided plug does not fit into your outlet, consult an electrician for replacement of the obsolete outlet

Protect the power cord from being walked on or pinched particularly at plugs, convenience receptacles and the point where they exit from the apparatus.

Only use attachments/accessories specified by the manufacturer.



Use only with the cart, stand, tripod, bracket or table specified by the manufacturer, or sold with the apparatus. When a cart is used, use caution when moving the cart/apparatus combination to avoid injury from tip-over.

Unplug this apparatus during lightning storms or when unused for long periods of time.

Refer all servicing to qualified service personnel. Servicing is required when the apparatus has been damaged in any way, such as power-supply cord or plug is damaged, liquid has been spilled or objects fallen into the apparatus, the apparatus has been exposed to rain or moisture, does not operate normally, or has been dropped.

Note: It is recommended that all maintenance and service on the product should be carried out by Soundcraft or its authorised agents. Soundcraft cannot accept any liability whatsoever for any loss or damage caused by service, maintenance or repair by unauthorised personnel.

**WARNING:** To reduce the risk of fire or electric shock, do not expose this apparatus to rain or moisture.

Do not expose the apparatus to dripping or splashing and do not place objects filled with liquids, such as vases, on the apparatus.

No naked flame sources, such as lighted candles, should be placed on the apparatus.

Ventilation should not be impeded by covering the ventilation openings with items such as newspapers, table cloths, curtains etc.

**THIS APPARATUS MUST BE EARTHED.** Under no circumstances should the safety earth be disconnected from the mains lead.


The mains supply disconnect device is the mains plug. It must remain accessible so as to be readily operable when the apparatus is in use.

If any part of the mains cord set is damaged, the complete cord set should be replaced. The following information is for reference only.

The wires in the mains lead are coloured in accordance with the following code:

Earth (Ground):	Green and Yellow (US - Green/Yellow)
Neutral:	Blue (US - White)
Live (Hot):	Brown (US - Black)

As the colours of the wires in the mains lead may not correspond with the coloured markings identifying the terminals in your plug, proceed as follows:

The wire which is coloured Green and Yellow must be connected to the terminal in the plug which is marked with the letter E or by the earth symbol. 

The wire which is coloured Blue must be connected to the terminal in the plug which is marked with the letter N

The wire which is coloured Brown must be connected to the terminal in the plug which is marked with the letter L

Ensure that these colour codes are followed carefully in the event of the plug being changed

This unit is capable of operating over a range of mains voltages as marked on the rear panel.

**NOTE:** This equipment has been tested and found to comply with the limits for a Class A digital device, pursuant to Part 15 of the FCC Rules. These limits are designed to provide reasonable protection against harmful interference when the equipment is operated in a commercial environment. This equipment generates, uses and can radiate radio frequency energy and, if not installed and used in accordance with the instruction manual, may cause harmful interference to radio communications. Operation of this equipment in a residential area is likely to cause harmful interference in which case the user will be required to correct the interference at his own expense.

This Class A digital apparatus meets the requirements of the Canadian Interference-Causing Equipment Regulations.

Cet appareil numérique de la Classe A respecte toutes les exigences du Règlement sur le matériel brouilleur du Canada.

---

**For your own safety and to avoid invalidation of the warranty please read this section carefully.**

---

## **SAFETY SYMBOL GUIDE**

For your own safety and to avoid invalidation of the warranty all text marked with these symbols should be read carefully.



---

### **WARNINGS**

---

The lightning flash with arrowhead symbol, is intended to alert the user to the presence of un-insulated “dangerous voltage” within the product’s enclosure that may be of sufficient magnitude to constitute a risk of electric shock to persons.



---

### **CAUTIONS**

---

The exclamation point within an equilateral triangle is intended to alert the user to the presence of important operating and maintenance (servicing) instructions in the literature accompanying the appliance.



---

### **NOTES**

---

Contain important information and useful tips on the operation of your equipment.

## Warranty

- 1 Soundcraft is a trading division of Harman International Industries Ltd. End User means the person who first puts the equipment into regular operation.  
Dealer means the person other than Soundcraft (if any) from whom the End User purchased the Equipment, provided such a person is authorised for this purpose by Soundcraft or its accredited Distributor.  
Equipment means the equipment supplied with this manual.
- 2 If within the period of twelve months from the date of delivery of the Equipment to the End User it shall prove defective by reason only of faulty materials and/or workmanship to such an extent that the effectiveness and/or usability thereof is materially affected the Equipment or the defective component should be returned to the Dealer or to Soundcraft and subject to the following conditions the Dealer or Soundcraft will repair or replace the defective components. Any components replaced will become the property of Soundcraft.
- 3 Any Equipment or component returned will be at the risk of the End User whilst in transit (both to and from the Dealer or Soundcraft) and postage must be prepaid.
- 4 This warranty shall only be available if:
  - a) the Equipment has been properly installed in accordance with instructions contained in Soundcraft's manual; and
  - b) the End User has notified Soundcraft or the Dealer within 14 days of the defect appearing; and
  - c) no persons other than authorised representatives of Soundcraft or the Dealer have effected any replacement of parts maintenance adjustments or repairs to the Equipment; and
  - d) the End User has used the Equipment only for such purposes as Soundcraft recommends, with only such operating supplies as meet Soundcraft's specifications and otherwise in all respects in accordance Soundcraft's recommendations.
- 5 Defects arising as a result of the following are not covered by this Warranty: faulty or negligent handling, chemical or electro-chemical or electrical influences, accidental damage, Acts of God, neglect, deficiency in electrical power, air-conditioning or humidity control.
6. The benefit of this Warranty may not be assigned by the End User.
7. End Users who are consumers should note their rights under this Warranty are in addition to and do not affect any other rights to which they may be entitled against the seller of the Equipment.

# Connecting Up



## Before You Start

**Ensure the DPS-4 power supply is NOT connected to the Mains and is turned OFF.**

The Power supply can be positioned anywhere within reach of the console and an available power socket, but is best rackmounted in a position where airflow through the vents is not obstructed and where the power switch or cables cannot be accidentally knocked. Connect the multi-way power cable between the DPS-4 External Power Supply and the console's connector.

Screw the connector locking ring clockwise on both units to secure the cable. The locking ring should be firm, but not tight. Connect an IEC type mains cable with the plug fused at 13 AMPS, to the mains input socket on the DPS-4. Connect the other end to the nearest plug socket and switch on the power to the DPS-4.

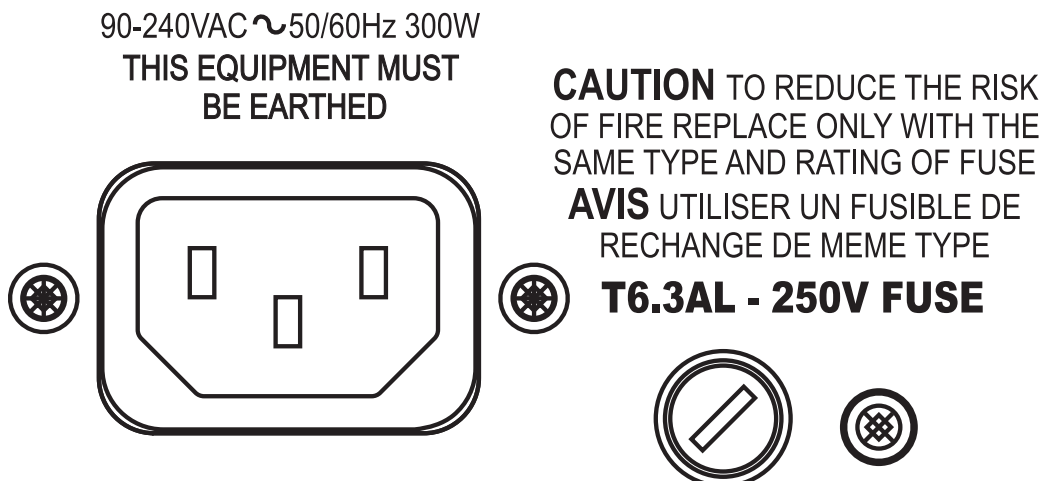
## Front Panel

### Mains Switch and Status LEDs



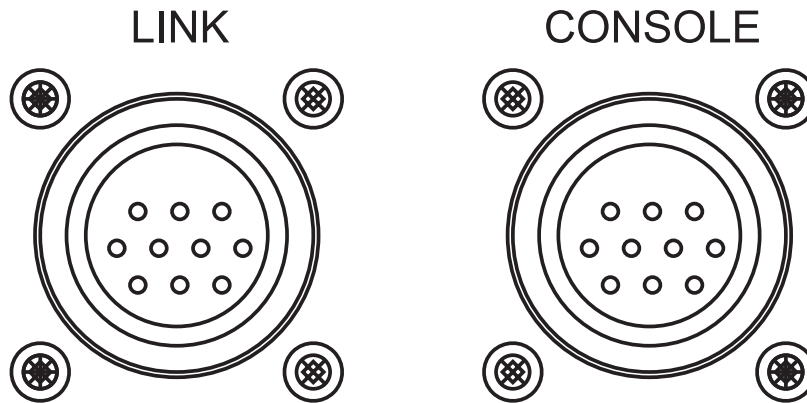
## Rear Panel

### Mains Input





## Pin-outs Of DC Output Connector

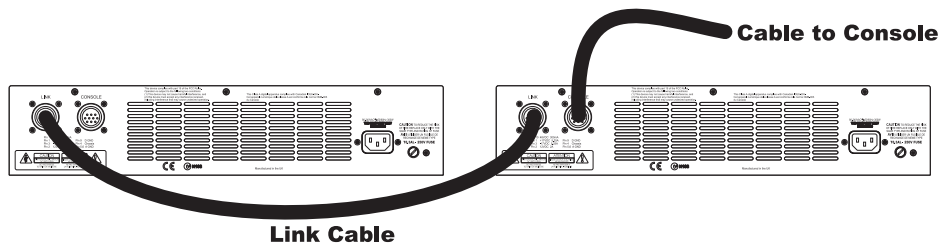


Pin 10	48VDC	300mA	Pin 9	D GND
Pin 1	+17VDC	5.25A	Pin 4	Chassis
Pin 3	-17VDC	5.25A	Pin 5,6	A GND
Pin 2	12VDC	2A		

## Linking DPS-4s

Two DPS-4 power supplies may be linked to provide continuing availability of power in the event that one of the supplies fails.

One of the supplies will feed the console via its “console” output socket. The two supplies can be connected to each other via their “link” sockets.

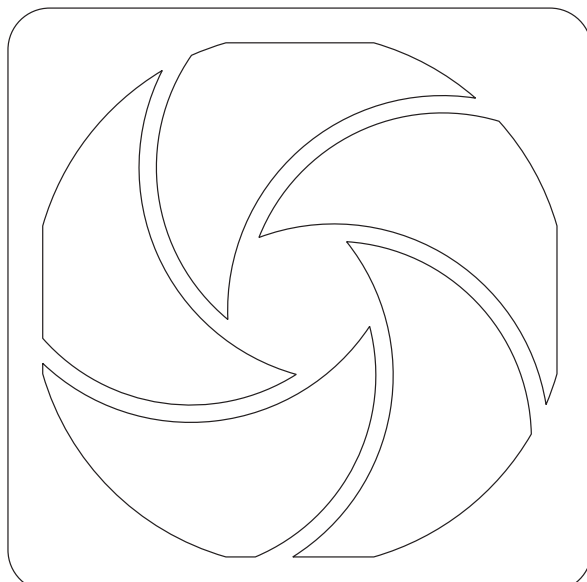


## Routine Maintenance

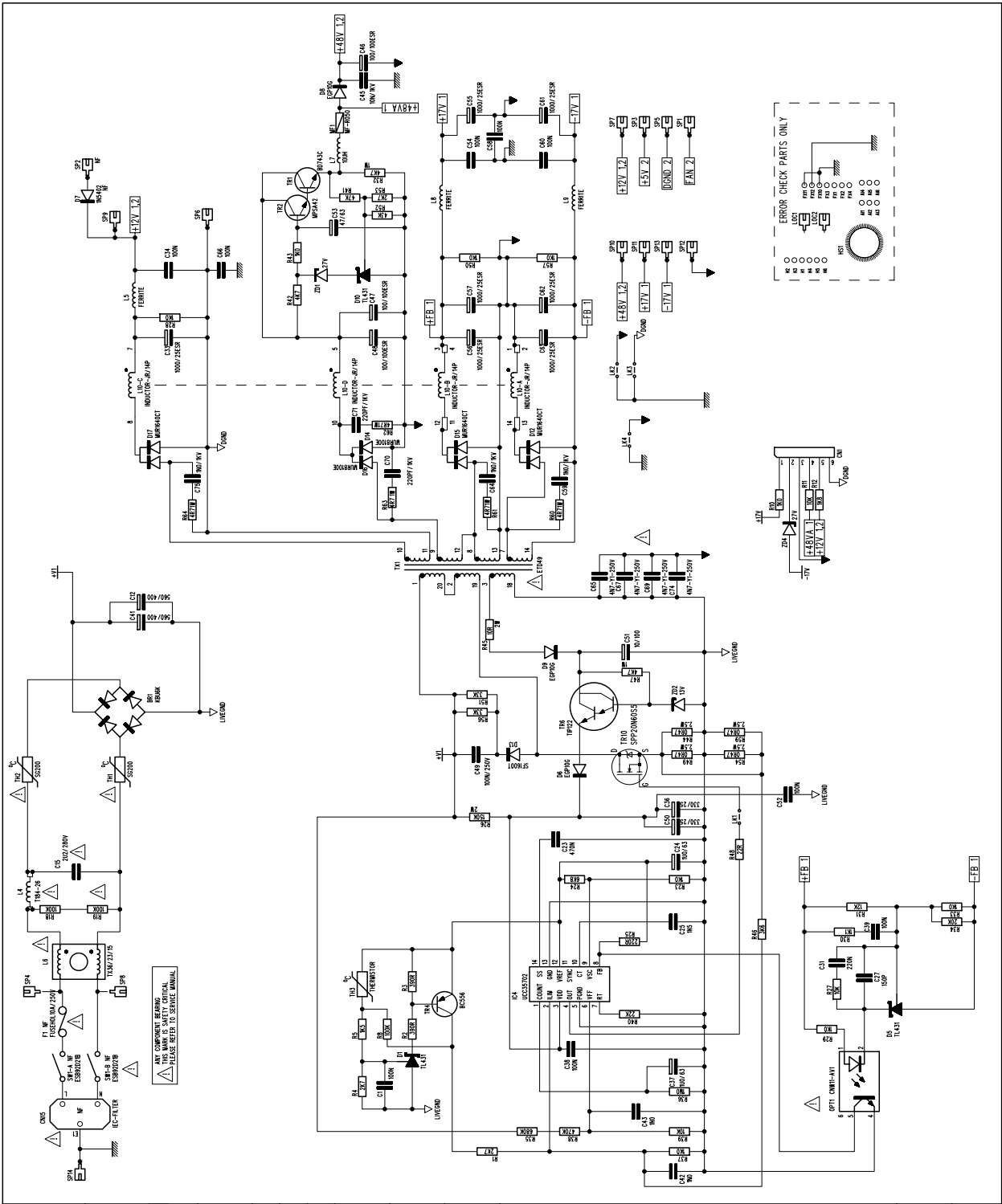
Routine maintenance is limited to cleaning the cooling fan’s air filter which is located on the front panel. Ensure that the DPS-4 is switched off and unplugged before starting this procedure otherwise personal injury or damage to the fan blades may occur.

**WARNING:**

Clean fan filter regularly  
to avoid overheating



# Circuit Diagrams



DRAWING NUMBER	ISSUE
E0194B-03A	
 SOUND-CRAFT INTERNATIONAL INDUSTRIES LIMITED CHANDLER HOUSE CHANDLER ROAD POTTERS BAR HERTS AL9 5JH TEL: +44 (0)1707 665000 FAX: +44 (0)1707 660492	
TITLE:	MH2 PSU
SHEET 1 OF 2	
FILENAME:	E0194B-03A.SCH
DRAWN:	CN
DATE:	29/01/04
CHECKED:	
MATERIAL:	
FINISH:	
ISSUE COMMENTS:	1. PROTOTYPE RELEASE 21/03/05 2. PREPRODUCTION RELEASE 12/05/05 2B. E0194B2 16-06-05 2C. E0194B4 24-06-05 3. E0194B4 04/07/05
SOUND-CRAFT OWNS THE COPYRIGHT OF THIS DRAWING WHICH IS NOT TO BE COPIED, REPRODUCED OR DISCLOSED WITHOUT THE WRITTEN PERMISSION OF SOUND-CRAFT, A DIVISION OF FANMAN INTERNATIONAL INDUSTRIES LIMITED	

DRAWING NUMBER ISSUE  
**E0194B-03A**

**Soundcraft**  
 A DIVISION OF HARWIN INTERNATIONAL INDUSTRIES LIMITED  
 CHANDLER ROAD  
 POTTERS BAR  
 HERTFORDSHIRE  
 ST ALBANS AL3 4JF  
 TEL: +44 (0)1707 665000  
 FAX: +44 (0)1707 660462

TITLE: MH2 PSU  
 SHEET 2 OF 2

FILENAME: E0194B-03A.SCH

DRAWN: CN

DATE: 29/01/04

CHECKED:

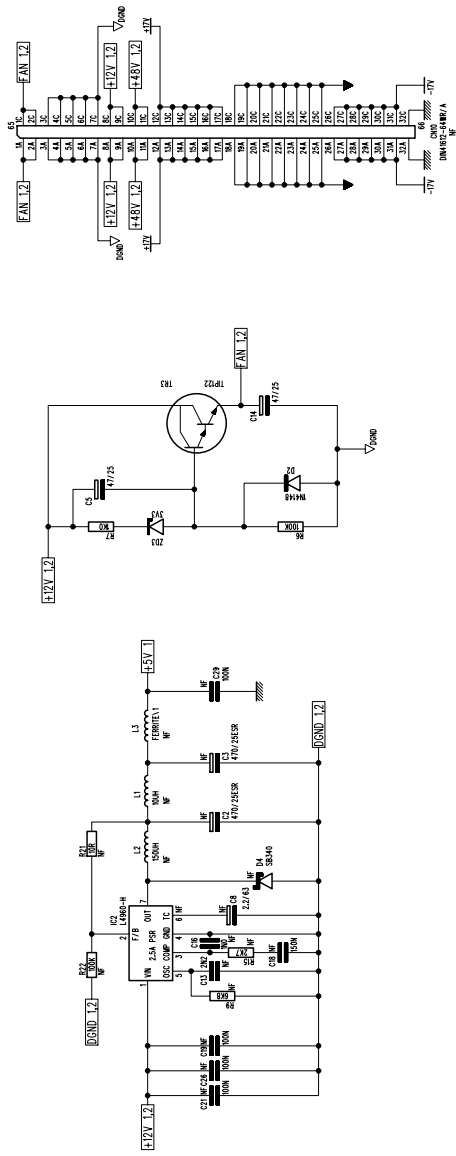
MATERIAL:

FINISH:

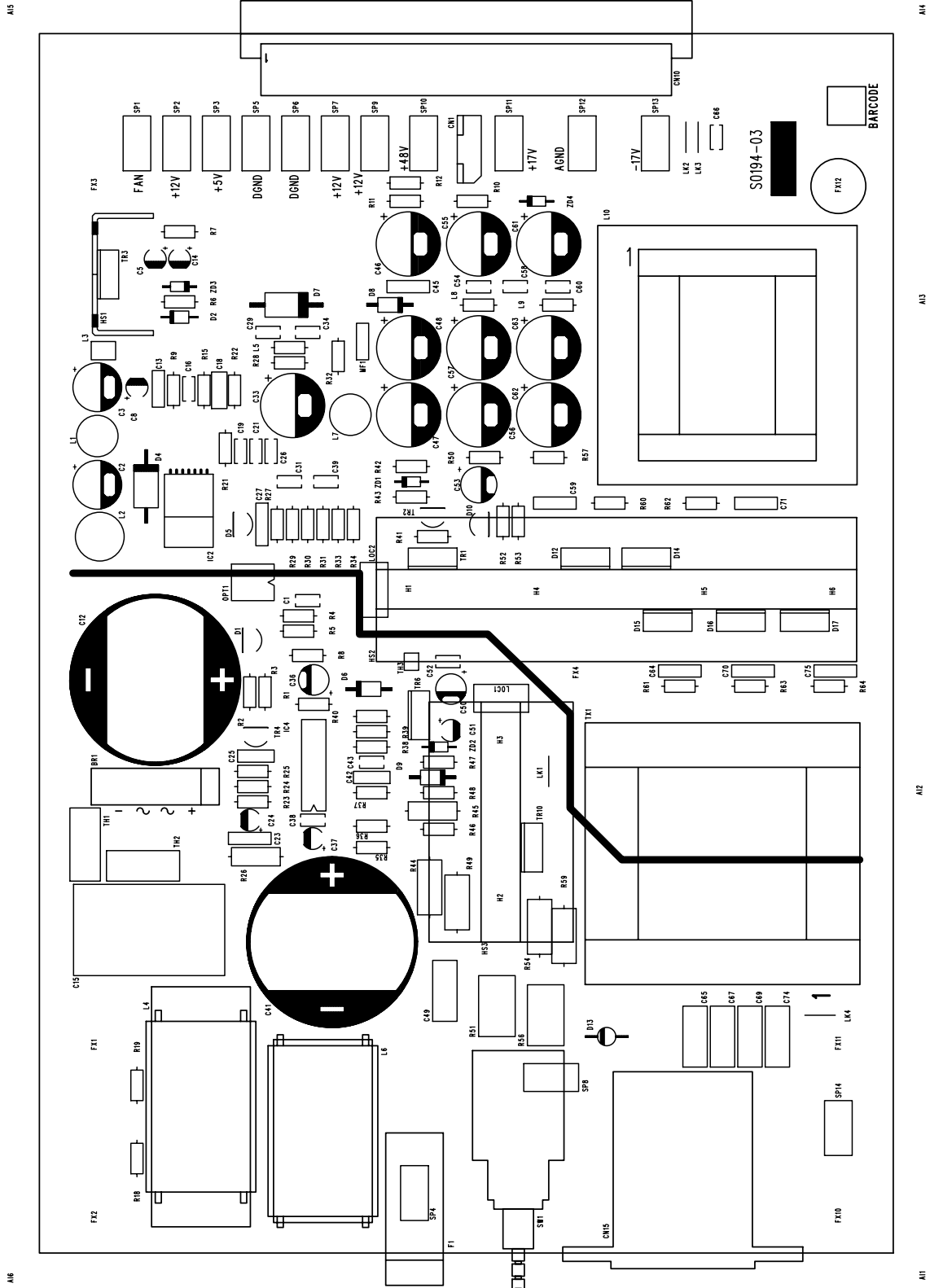
ISSUE COMMENTS:

1. PROTOTYPE RELEASE 21/03/05
2. PREPRODUCTION RELEASE 12/05/05
- 2B. E0194B2 16-06-05
- 2C. E0194B4 24-06-05
3. E0194B4 04/07/05

SOUNDRAFT AND THE CONTENTS OF THIS DRAWING  
 WHICH IS NOT TO BE COPIED, REPRODUCED OR DISCLOSED  
 IN PART OR WHOLE TO A THIRD PARTY WITHOUT WRITTEN PERMISSION  
 ©SOUNDRAFT, A DIVISION OF HARWIN INTERNATIONAL INDUSTRIES LIMITED



# PCB Layout



## Dimensions Overall

Height 88.0mm (3.46")

Width 482.60mm (19")

Depth 245mm (9.65")