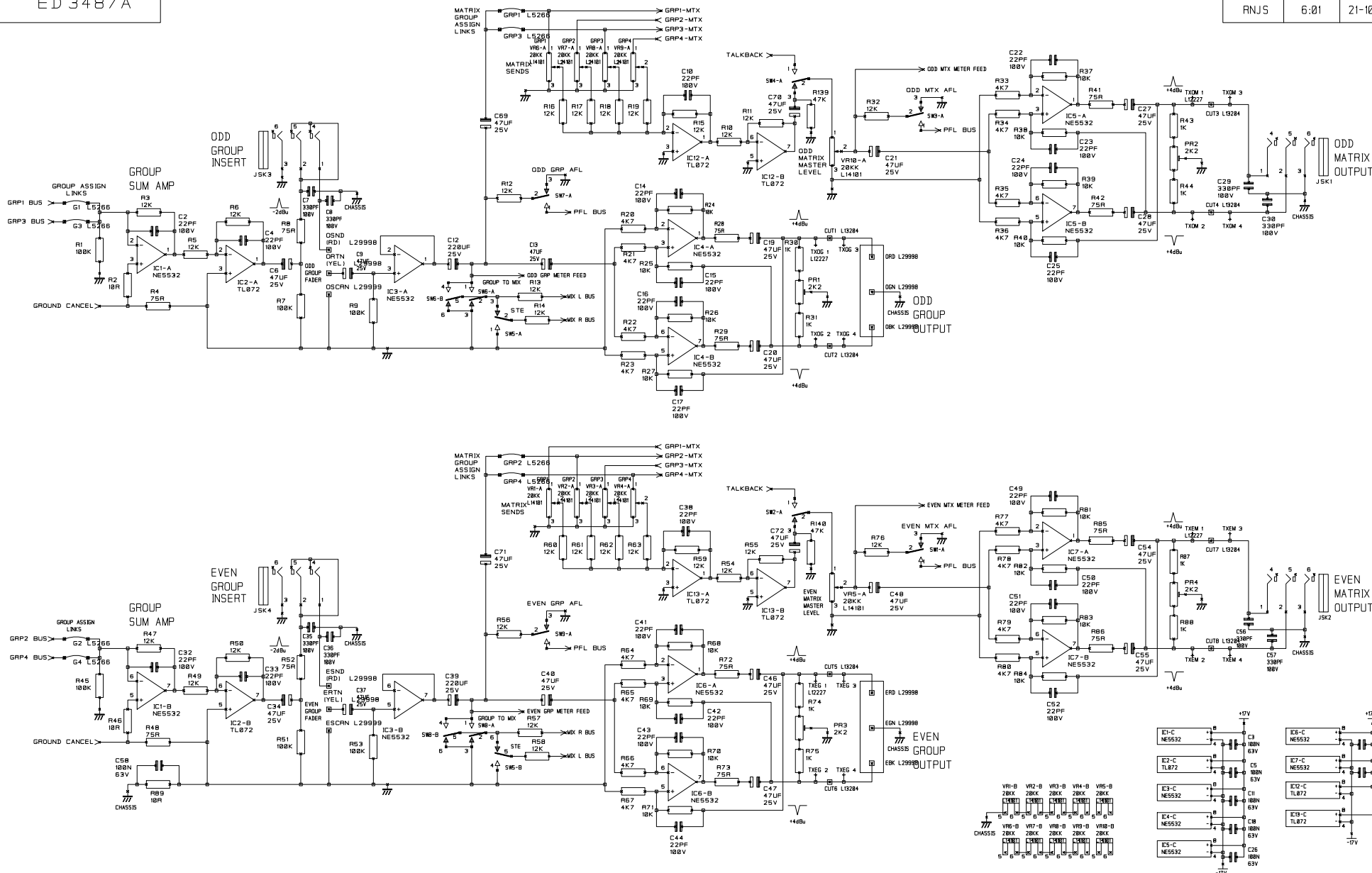


NOTES (1) J2 & J5 AUX PRE/POST LINKS FITTED AS STANDARD.
 (2) AUX PRE/POST FOLLOWS SWITCH.
 (3) R29 CN2 C1 C2 C22 C23 C49 AND C50 ARE NOT FITTED AS STANDARD.
 (4) FIT R7.C6 ONLY WHEN TRANSFORMER IS FITTED

DRN. ASR

TITLE K1
 MONO INPUT
 DRG NO. ED 3486

INITIAL	ISSUE	DATE
RNJS	6.01	21-10-99



LOCAL DE-COUPLE

NOTES

- 1) SW2 & SW4 ARE MOMENTARY, ALL OTHERS ARE LATCHING.
- 2) CUT LINKS TO ASSIGN GROUP.
- 3) DO NOT FIT COMPONENTS C7,C8,C29,C30,C35,C36,C56 & C57.

DRN.

ASR

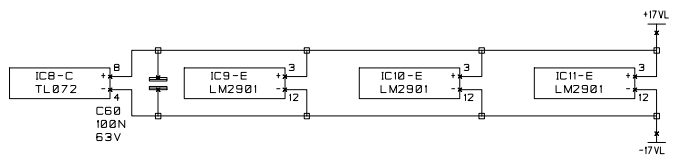
TITLE

K1 GROUP OUTPUT

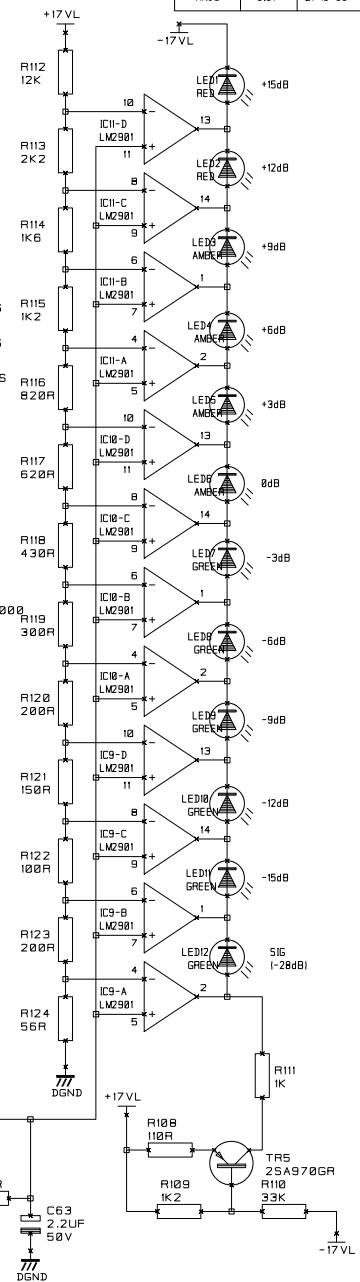
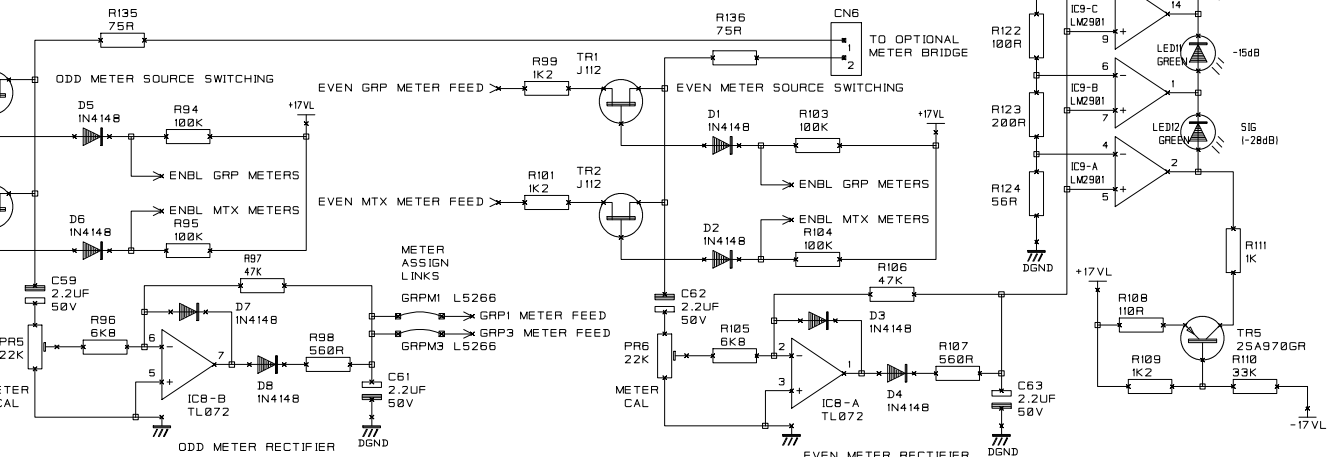
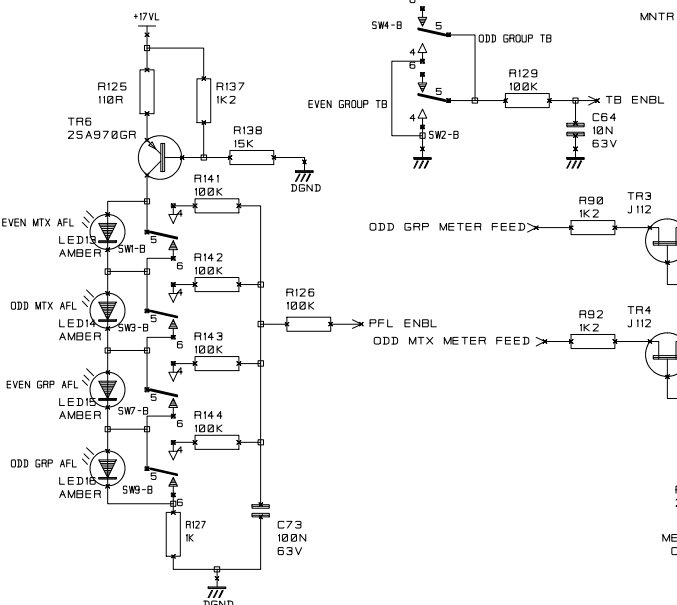
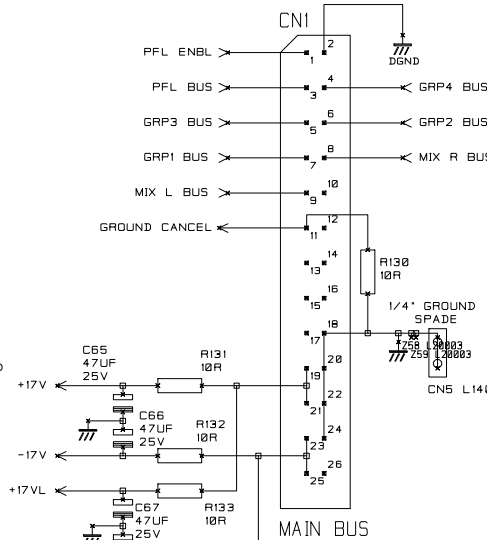
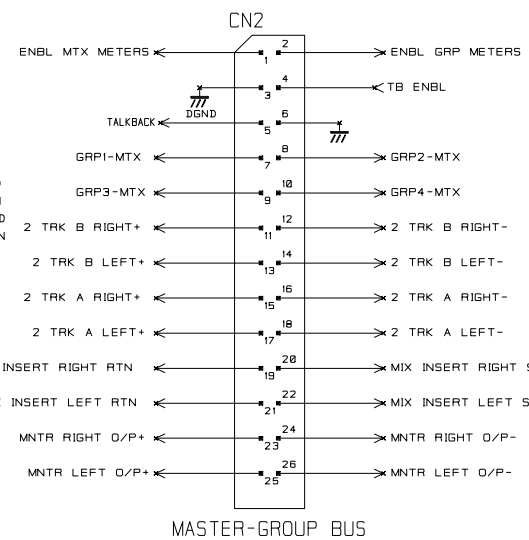
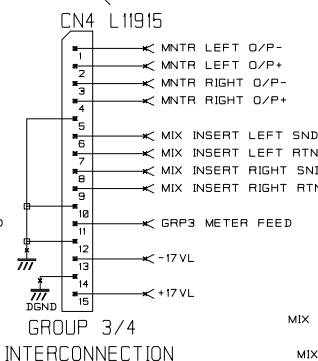
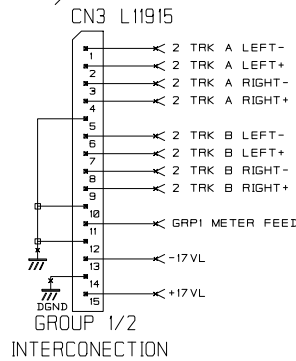
DRG NO.

ED 3487A

INITIAL	ISSUE	DATE
RJNS	6:81	21-10-99



FIT ONLY ONE OF THESE GROUP INTERCONNECTIONS PER GROUP AS DESIGNATED BY POSITION IN MASTER



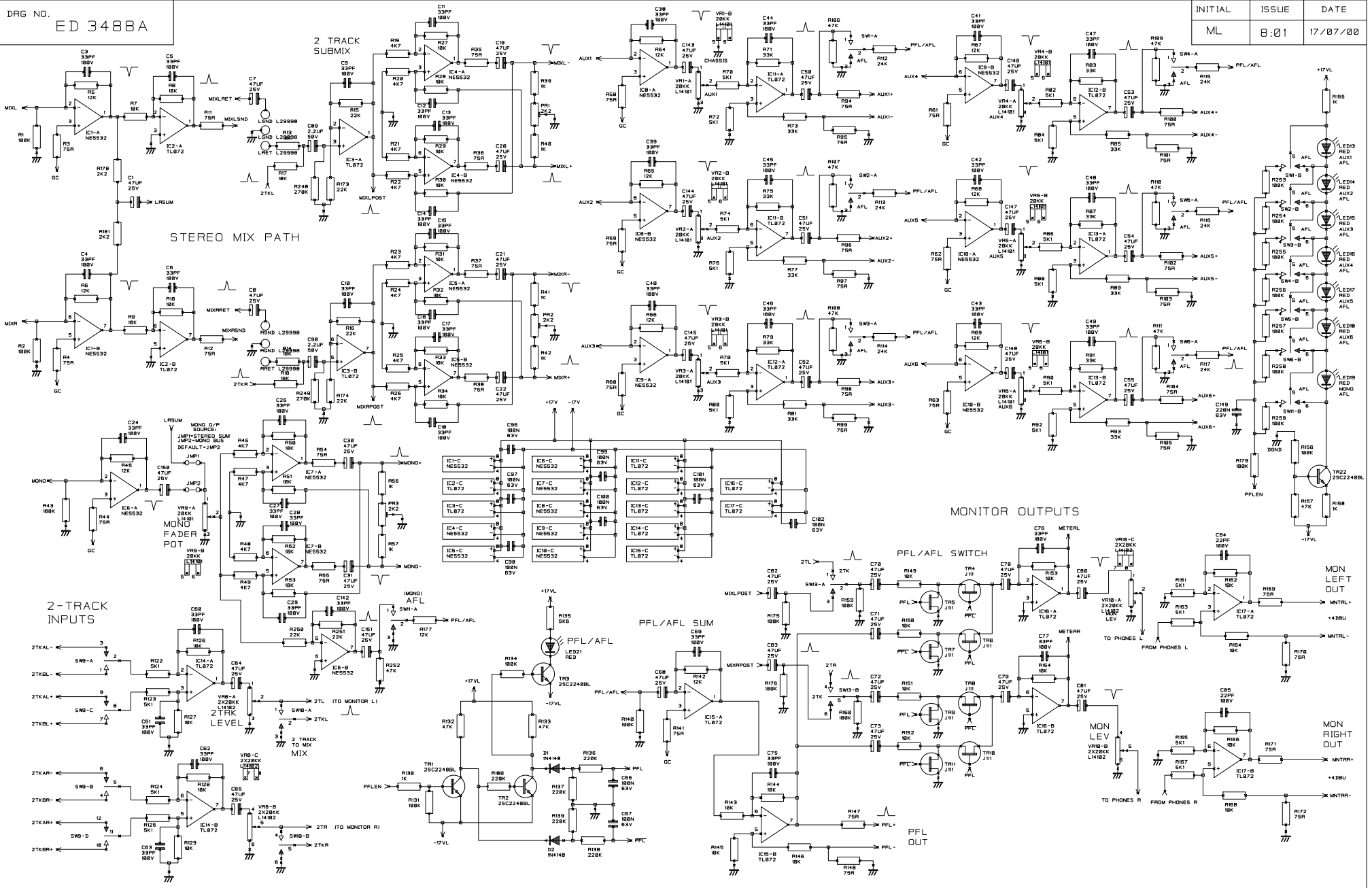
NOTES

NOTES
1) DO NOT FIT COMPONENTS R135, R136 AND CN6.

DRN.	ASR	TITLE
		K1 GROUP OUTPUT
DRG NO. ED3487B		SHT.2 OF 2

DRG NO. ED 3488A

INITIAL	ISSUE	DATE
ML	B:01	17/07/00

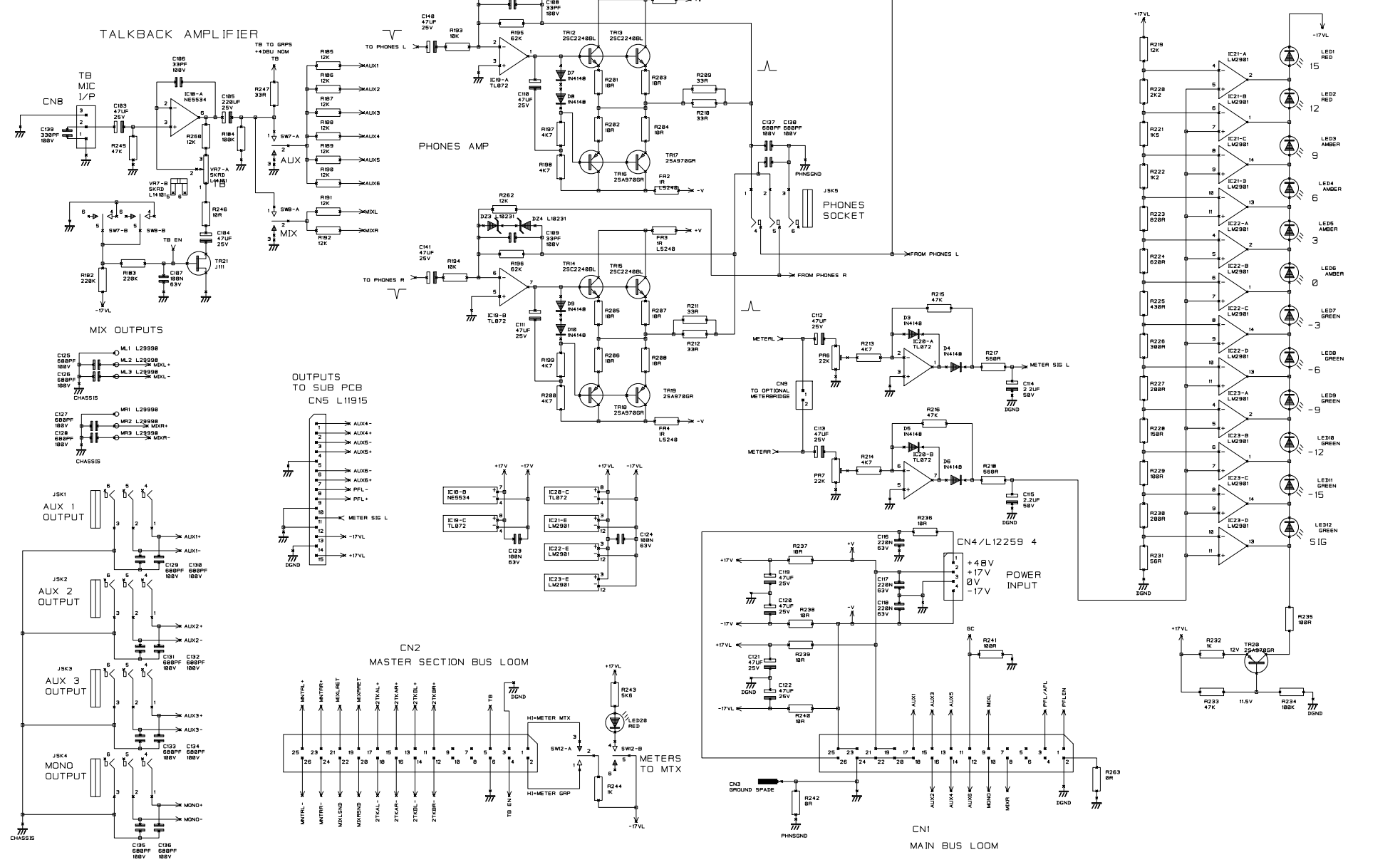


NOTES

DRN. MDG

TITLE
K1 MASTER

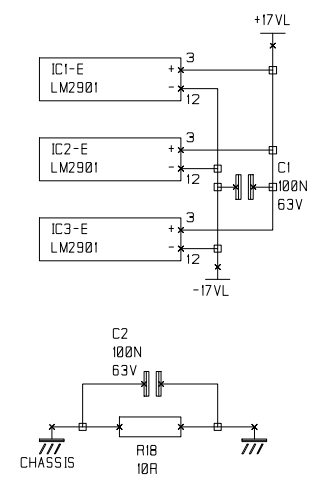
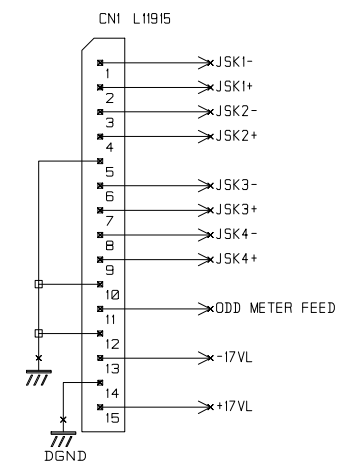
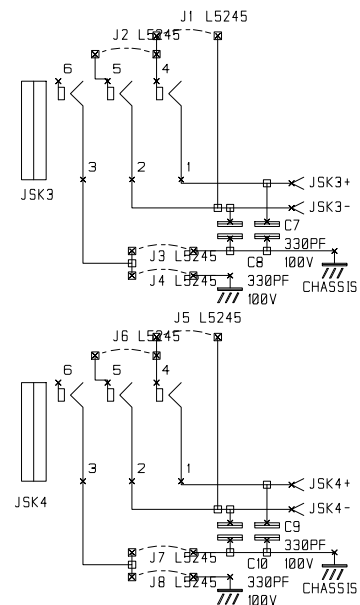
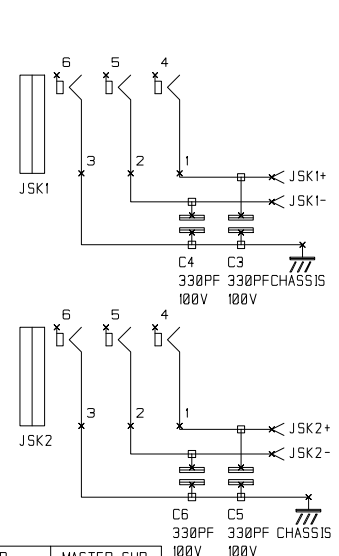
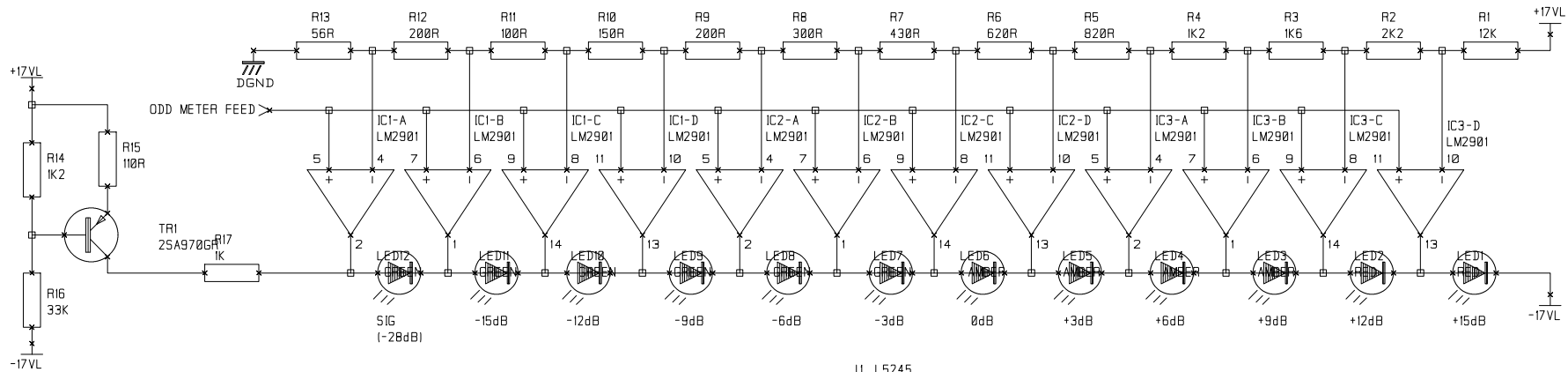
DRG NO. ED 3488A



NOTES

DRN. MDG

TITLE
K1 MASTER
DRG NO. ED 3488B

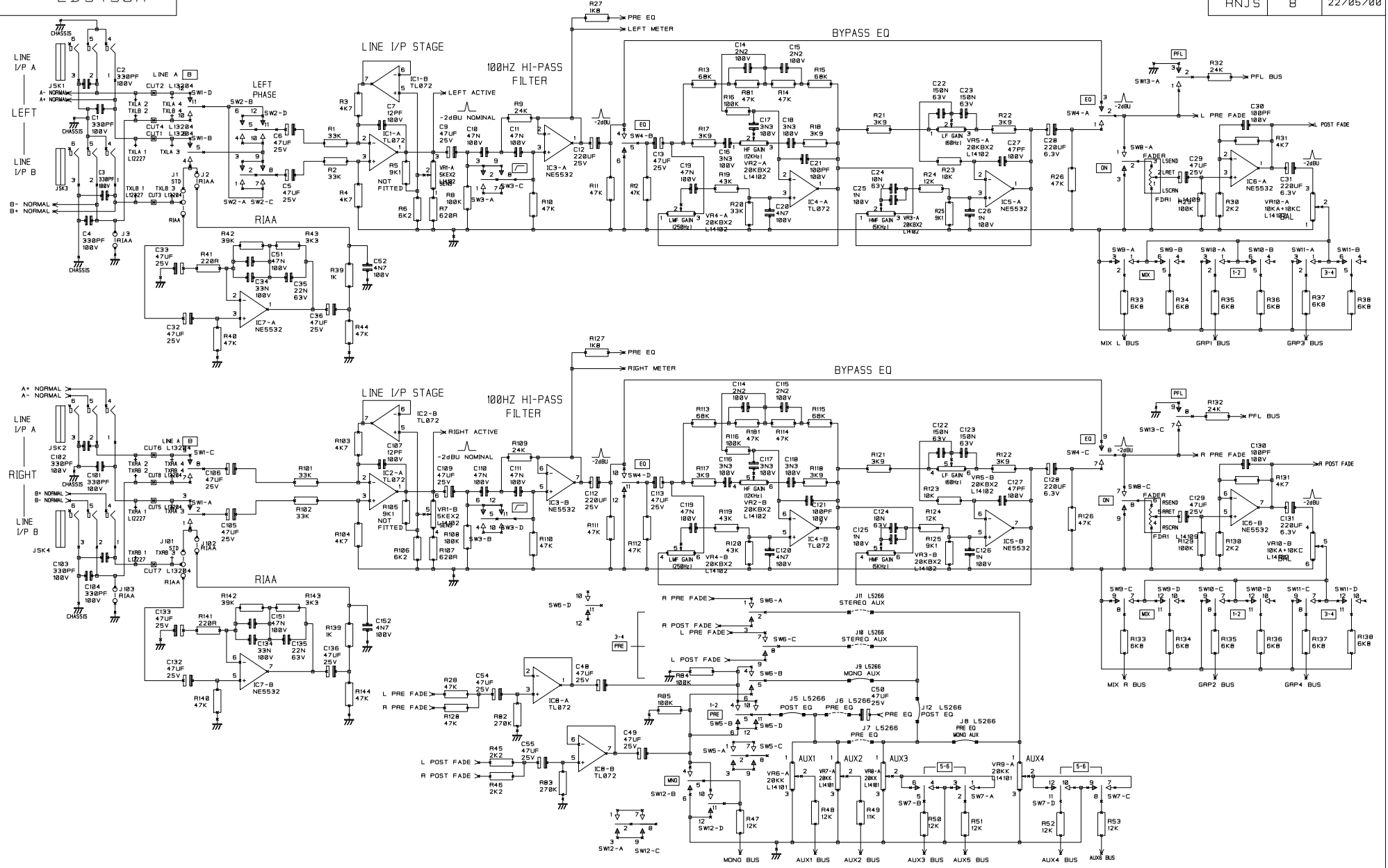


GROUP 1/2 SUB PCB SIGNALS	GROUP 3/4 SUB PCB SIGNALS	MASTER SUB PCB SIGNALS
JSK1-	2 TRK A LEFT-	MNTR LEFT O/P-
JSK1+	2 TRK A LEFT+	AUX4+
JSK2-	2 TRK A RIGHT-	MNTR RIGHT O/P-
JSK2+	2 TRK A RIGHT+	AUX5+
JSK3-	2 TRK B LEFT-	MNTR LEFT O/P-
JSK3+	2 TRK B LEFT+	AUX6+
JSK4-	2 TRK B RIGHT-	MIX INSERT LEFT RTN
JSK4+	2 TRK B RIGHT+	AUX6+
		MIX INSERT RIGHT SND
		PFL O/P-
		PFL O/P+

NOTES
 FIT LINKS J3 AND J7 WHEN FITTING PCB AS MASTER AND GROUP 1/2.
 ELSE FIT LINKS J2,J4,J6 AND J8 WHEN FITTING PCB AS GROUP 3/4.
 DO NOT FIT COMPONENTS C3,C4,C5,C6,C7,C8,C9 & C10

DRN. ASR
 TITLE K1 MASTER/GROUP REAR CONN
 DRG NO. ED 3489
 SHT. 1 OF 1

INITIAL	ISSUE	DATE
RNJS	8	22/05/00

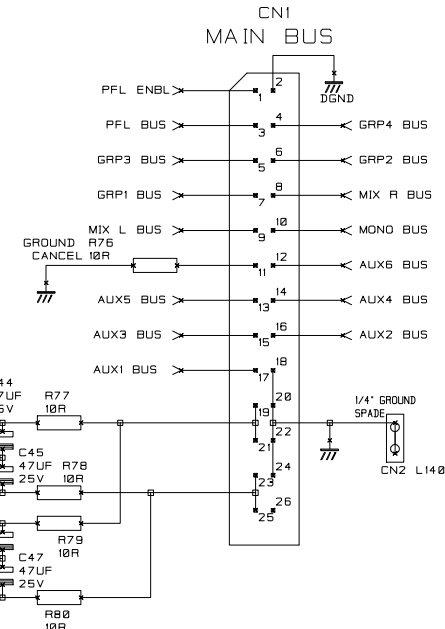
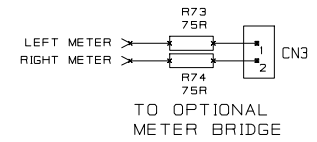
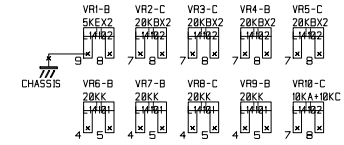
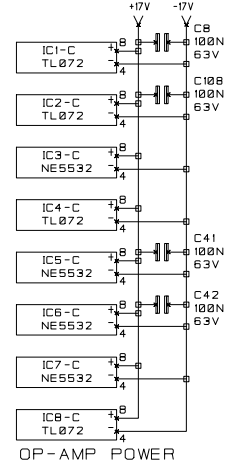
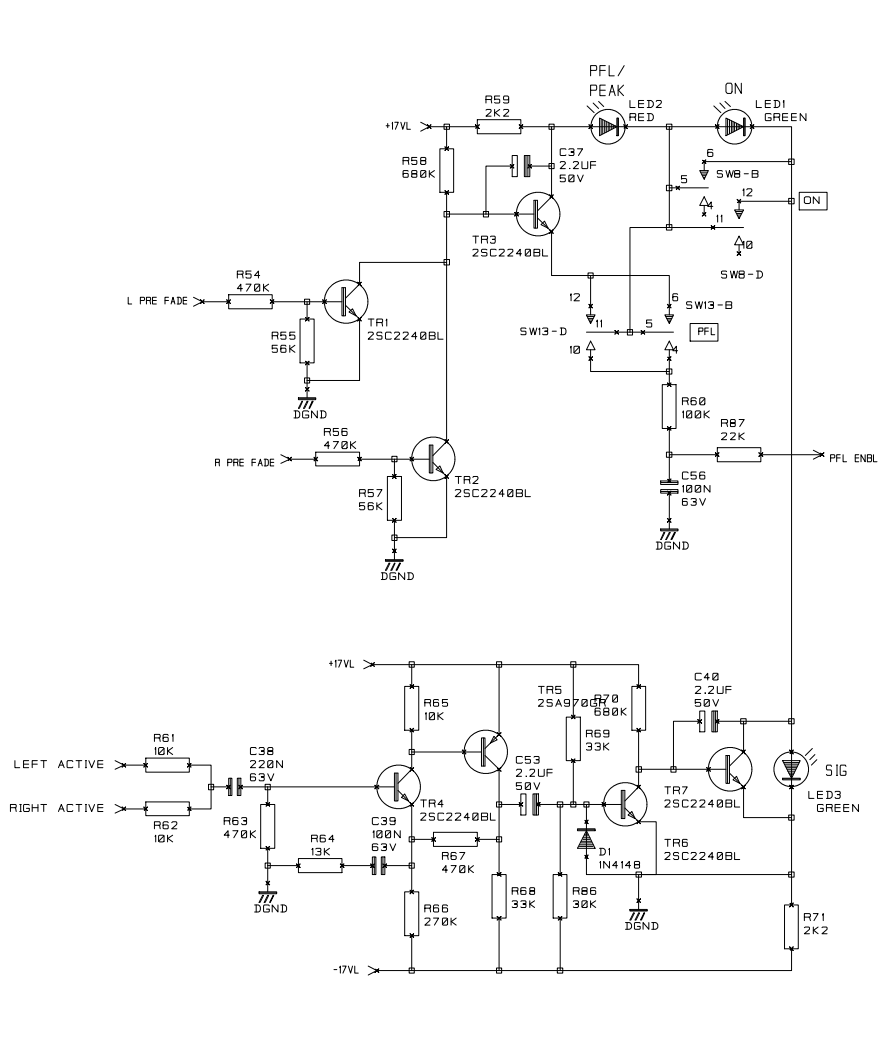


- NOTES
- (1) J11STD, J101STD, J5, J8, J9 & J12 LINKS FITTED AS STANDARD.
 - (2) DO NOT FIT COMPONENTS C1, C2, C3, C4, C21, C101, C102, C103, C104 & C121.

DRN. ASR

TITLE
K1 STEREO INPUT

DRG NO.
ED3490A



NOTES

NOTES

(1) DO NOT FIT COMPONENTS R73, R74 & CN3.

DRN. ASR

TITLE

K1 STEREO INPUT

DRG NO. ED 3490B

SHT.2 OF 2