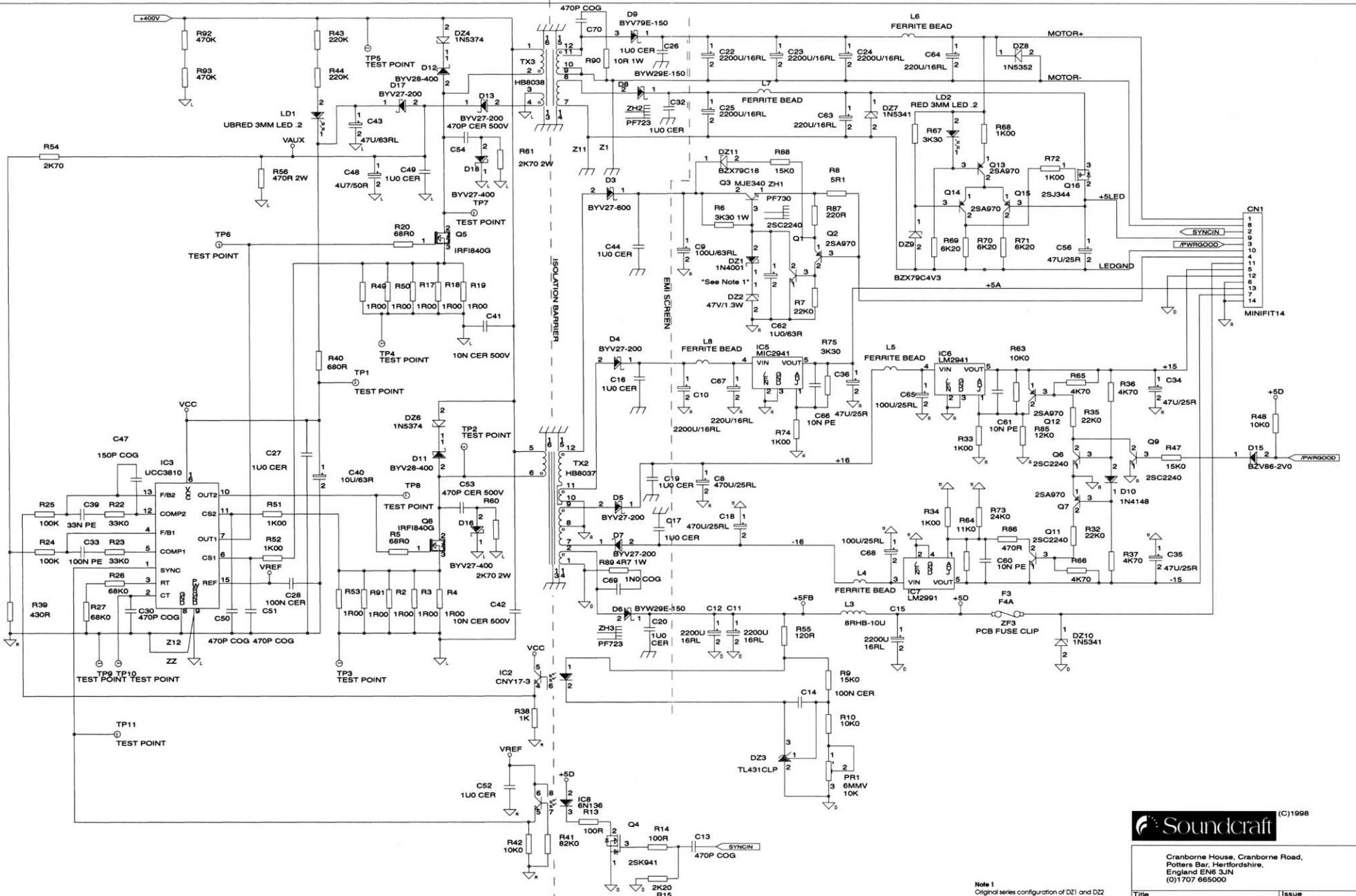


Cranborne House, Cranborne Road, Potters Bar, Hertfordshire, England EN6 3JN (0)1707 665000			
Title	DPS-1 PSU: AC INPUT	Issue	8:02
Size	Document Number	REV	ED 3842
A3	E3842APC.SCH	PC	
Date:	December 13, 2000	Sheet	1 of 2



Note 1  
Original series configuration of D21 and D22 (2x 24V Zener diode) replaced with D22 47V Zener Diode. Standard 1N4001 is now fitted in place of original D21. Note that this component is fitted REVERSE polarity to that indicated on the PCB silkscreen.

(C)1998

Cranborne House, Cranborne Road,  
Potters Bar, Hertfordshire,  
England EN6 3JN  
(0)1707 665000

Title	DPS-1 PSU: PWM	Issue	8:02
Size	Document Number	REV	PC
A3	E3842BPC.SCH	ED	3842
Date:	December 13, 2000	Sheet	2 of 2