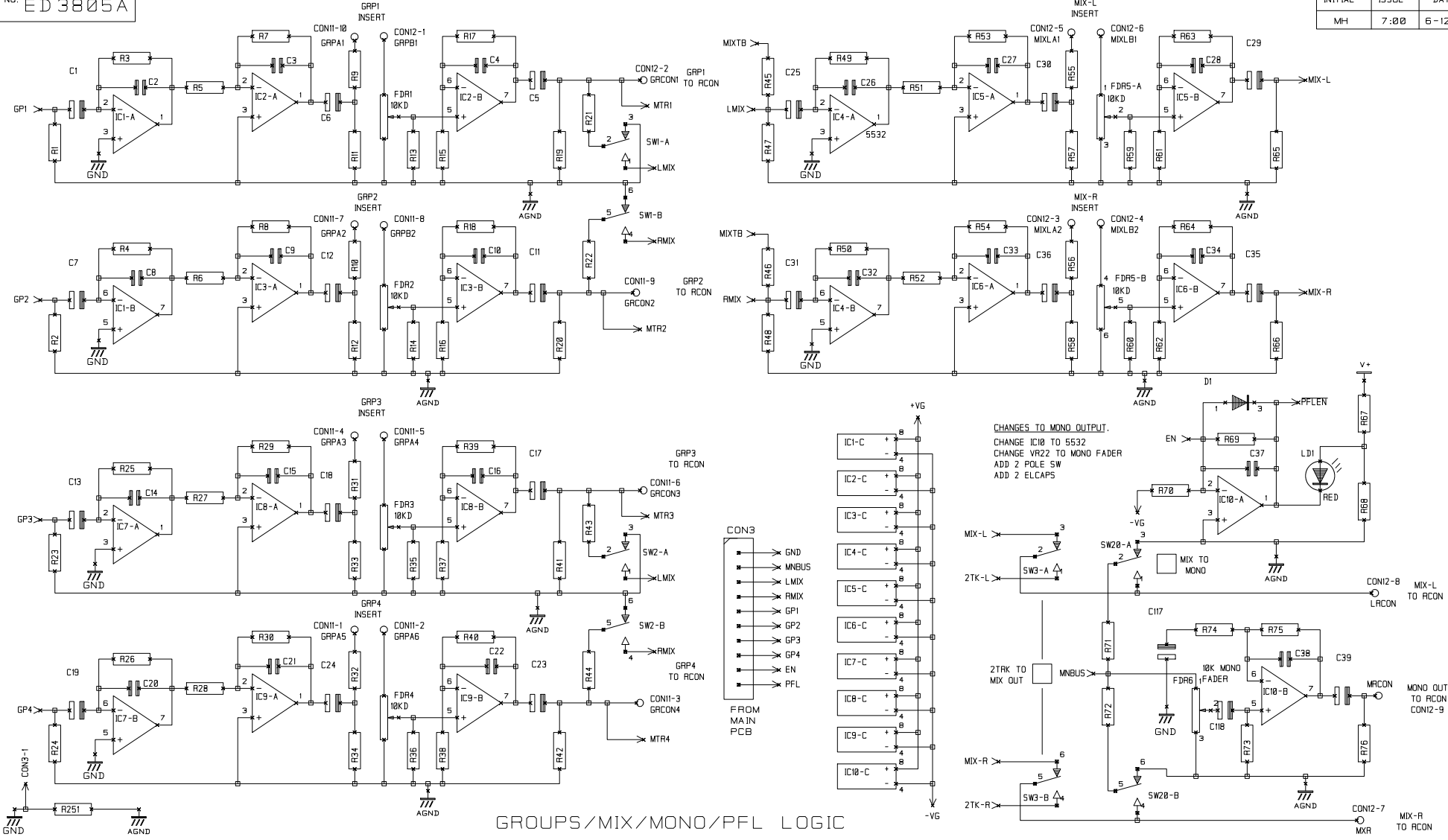


NOTES

1) VOLTAGES ARE FOR OFF-LOAD.

2) THE MAINS INPUT FUSE IS RATED AT:-
 T1.0A/250V MAINS INPUT 220V/240V AC ⚠
 T2.0A/250V MAINS INPUT 100V/120V AC ⚠

DRN. GHB	TITLE FOLIO LX7 1A REG PSU
	DRG NO. ED 3837
SHT. 1 OF 1	

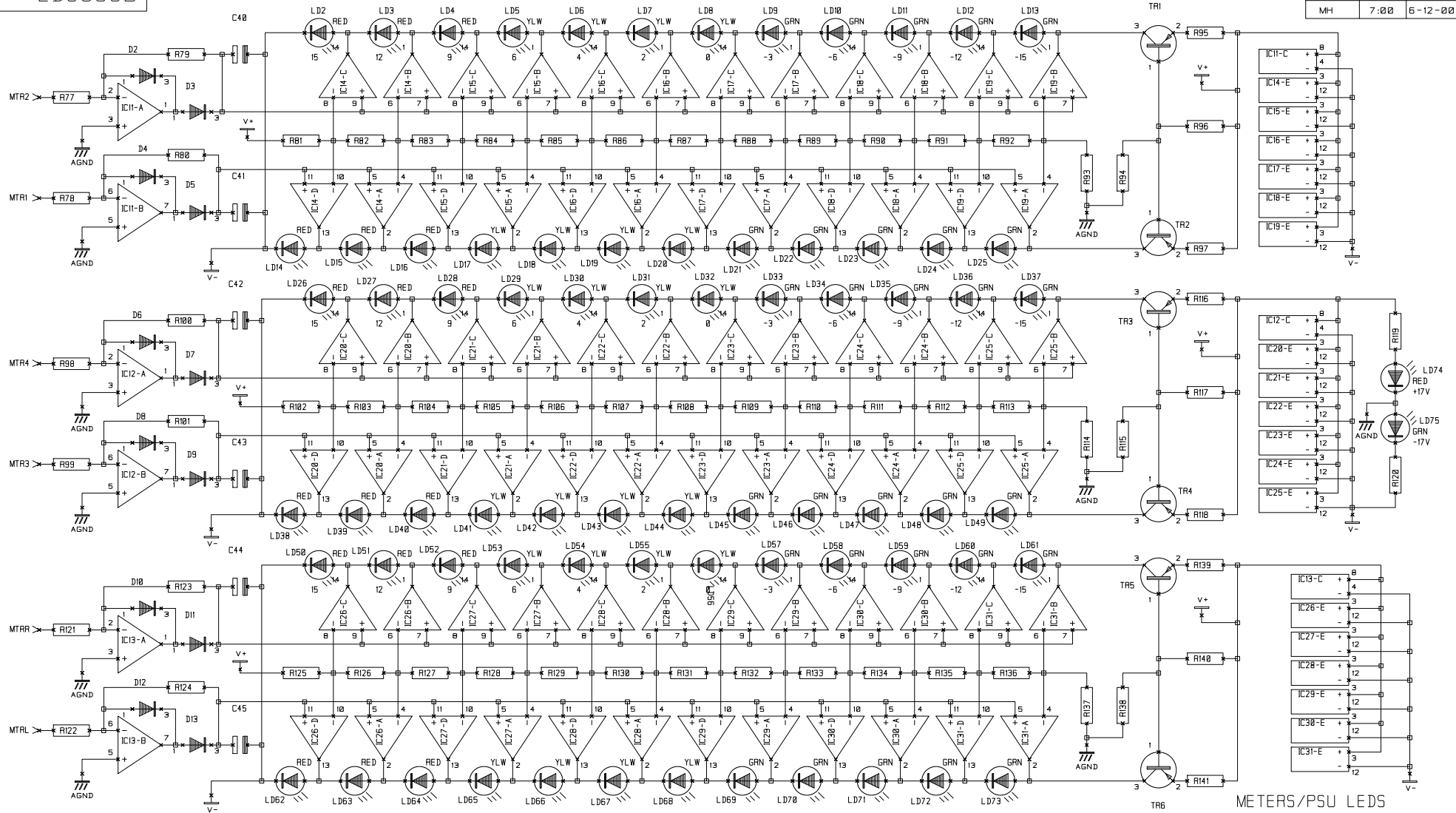


NOTES

DRN.	GHB	TITLE	SPIRIT LX7 MASTER / MONO
		DRG NO.	ED 3805A
		SHT.	1 OF 7

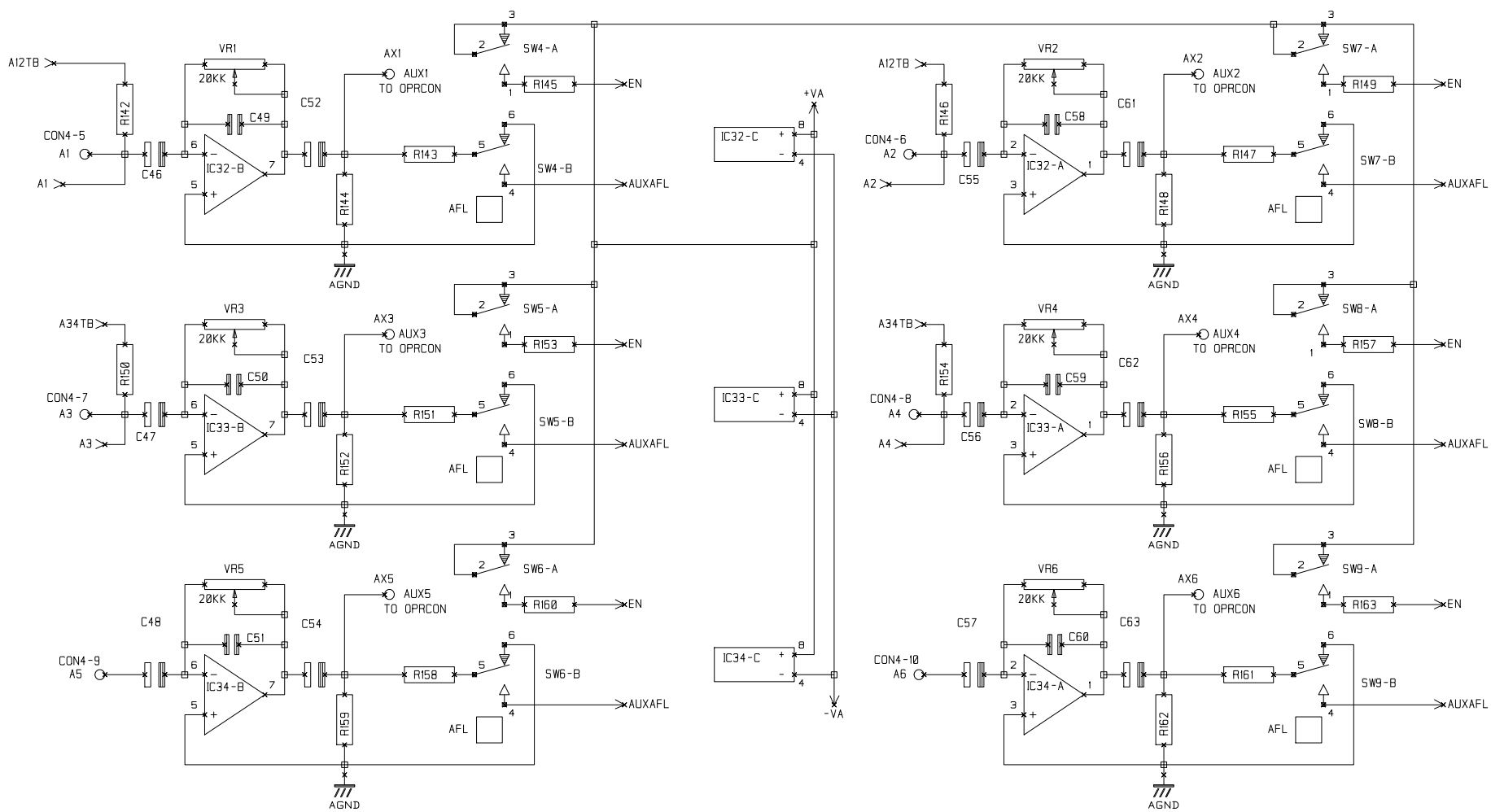
DRG NO. ED3805B

INITIAL	ISSUE	DATE
MH1	7-00	6-12-00



NOTES

DRN.	GHB	TITLE	SPIRIT LX7 MASTER
		DRG NO.	ED3805B
		SHT.	2 OF 7



AUX MASTERS

NOTES

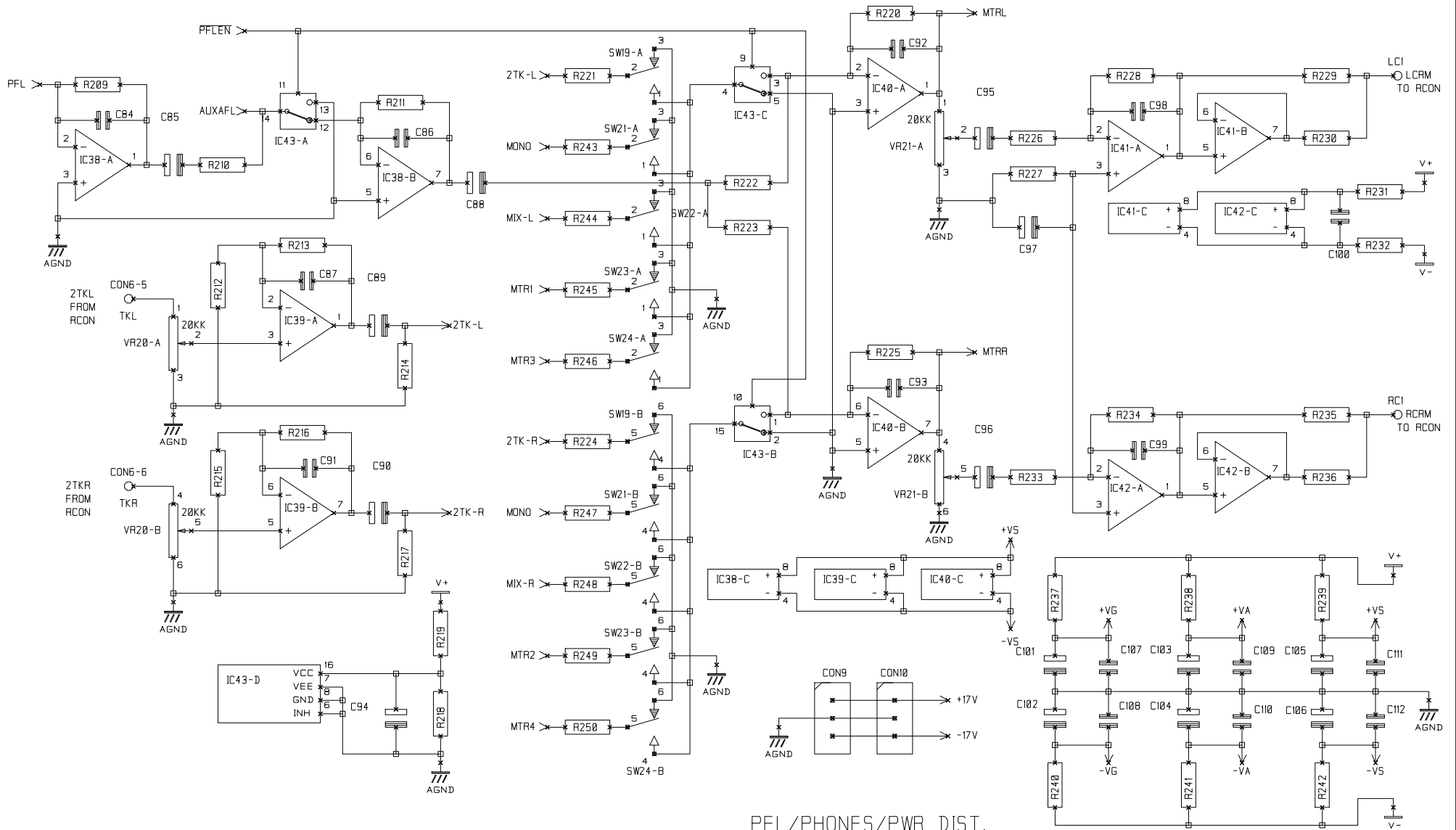
DRN. GHB

TITLE

SPIRIT LX7
MASTER

DRG NO.

ED 3805C



PFL/PHONES/PWR DIST.

NOTES

DRN. GHB

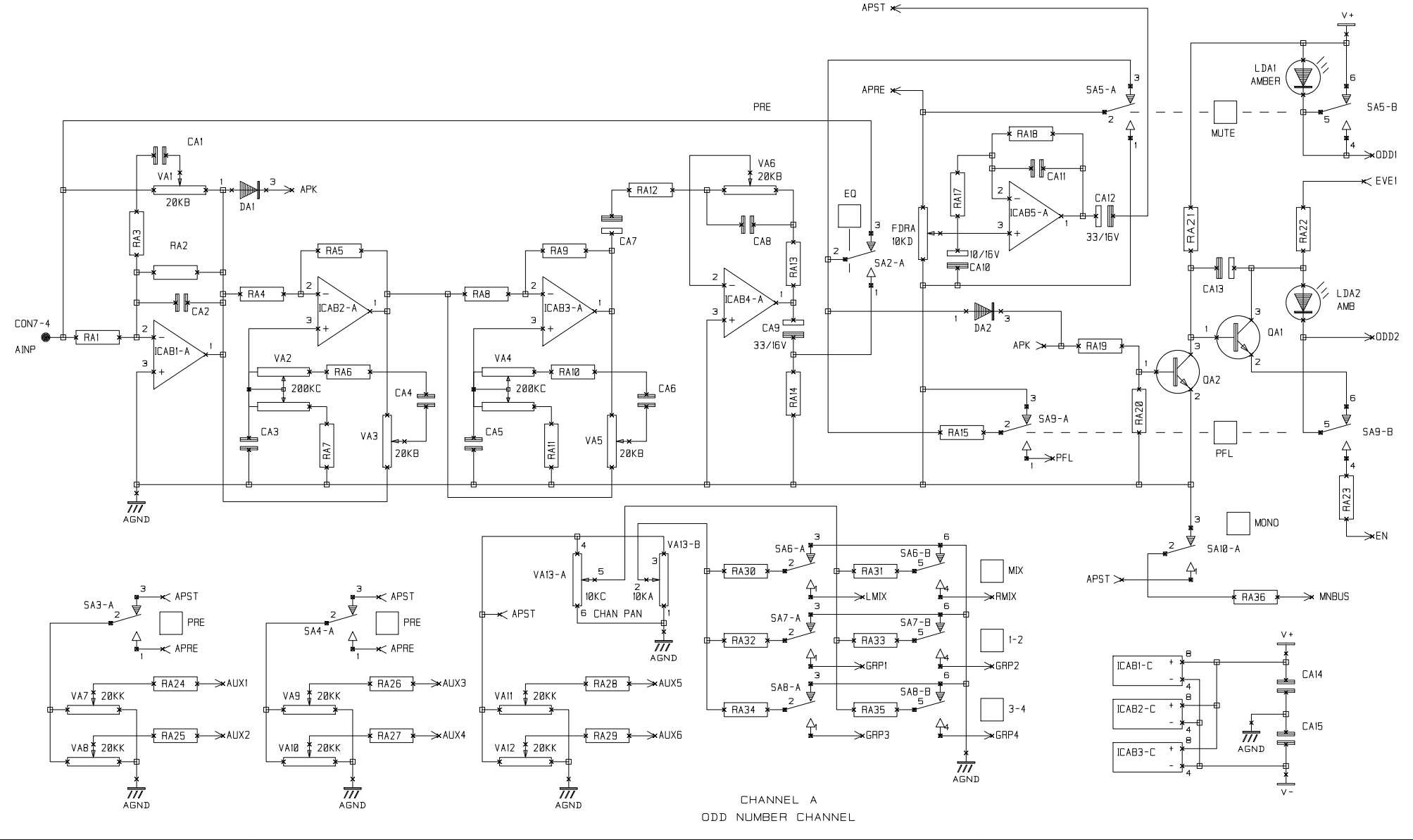
TITLE

SPIRIT LX7
MASTER

DRG NO.

ED 3805E

INITIAL	ISSUE	DATE
MH	7-00	6-12-00

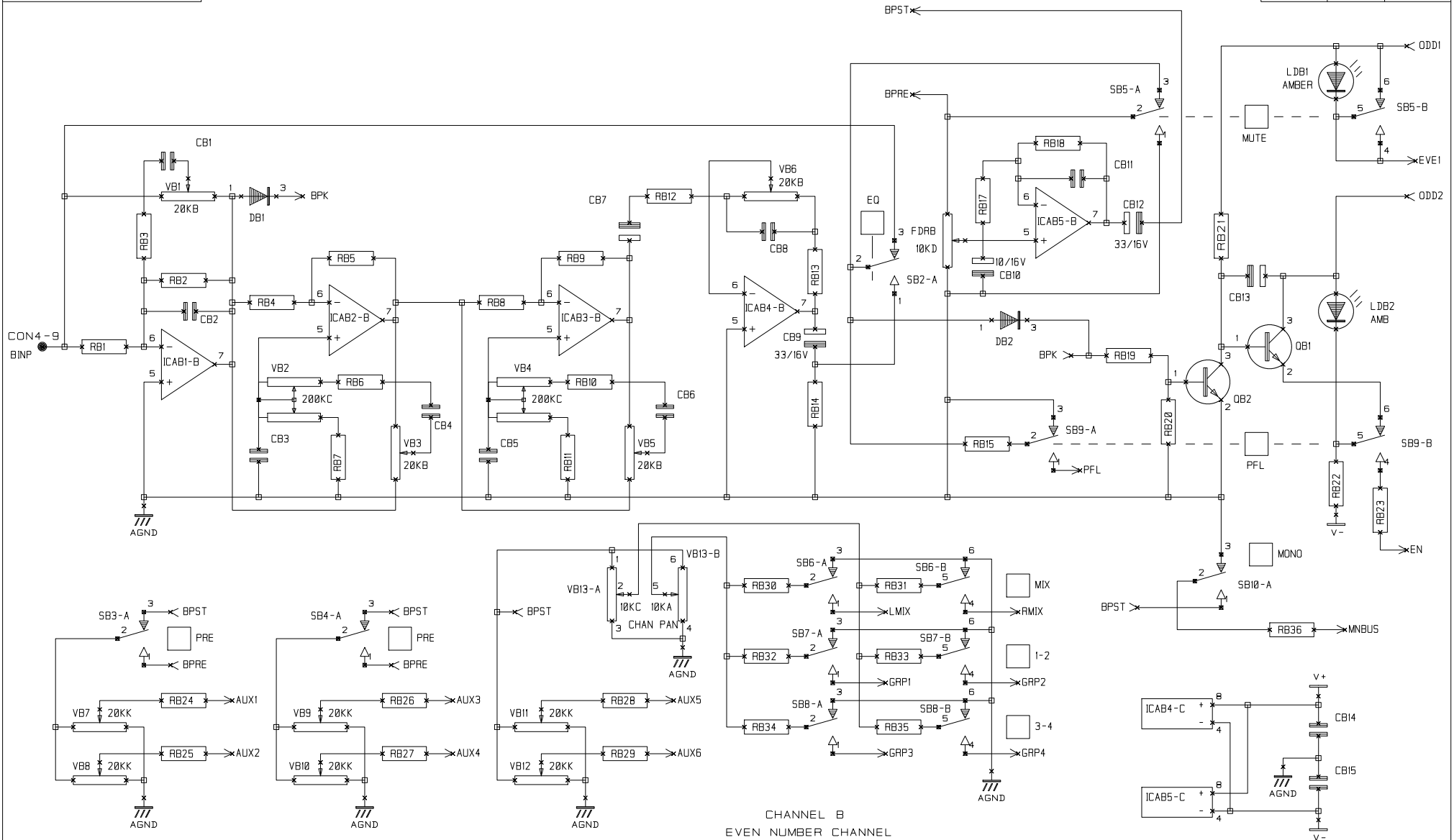


NOTES

1) ONLY CHANNEL A CIRCUIT SHOWN.

2) STEP AND REPEAT CHANNELS C,E AND G (ODD NUMBER CHANNELS)

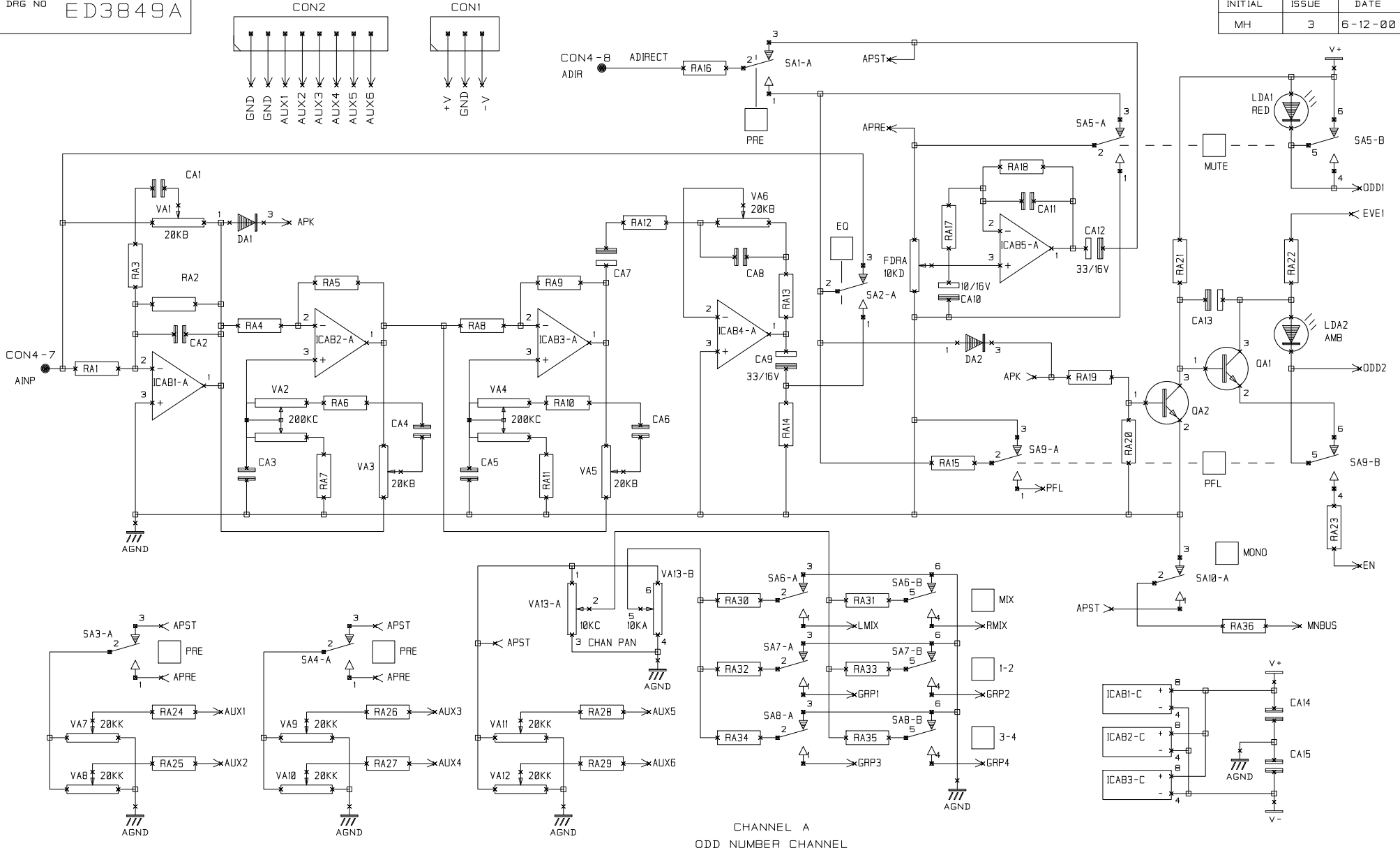
DRN.	GHB	TITLE
		SPIRIT LX7 MASTER/MONO
		DRG NO. ED3805F
		SHT. 6 OF 7



NOTES
 1) ONLY CHANNEL B CIRCUIT SHOWN.
 2) STEP AND REPEAT CHANNELS D,F AND H (EVEN NUMBER CHANNELS)

DRN.	GHB	TITLE
		SPIRIT LX7 MASTER/MONO
		DRG NO. ED 3805G
		SHT. 7 OF 7

INITIAL	ISSUE	DATE
MH	3	6-12-00

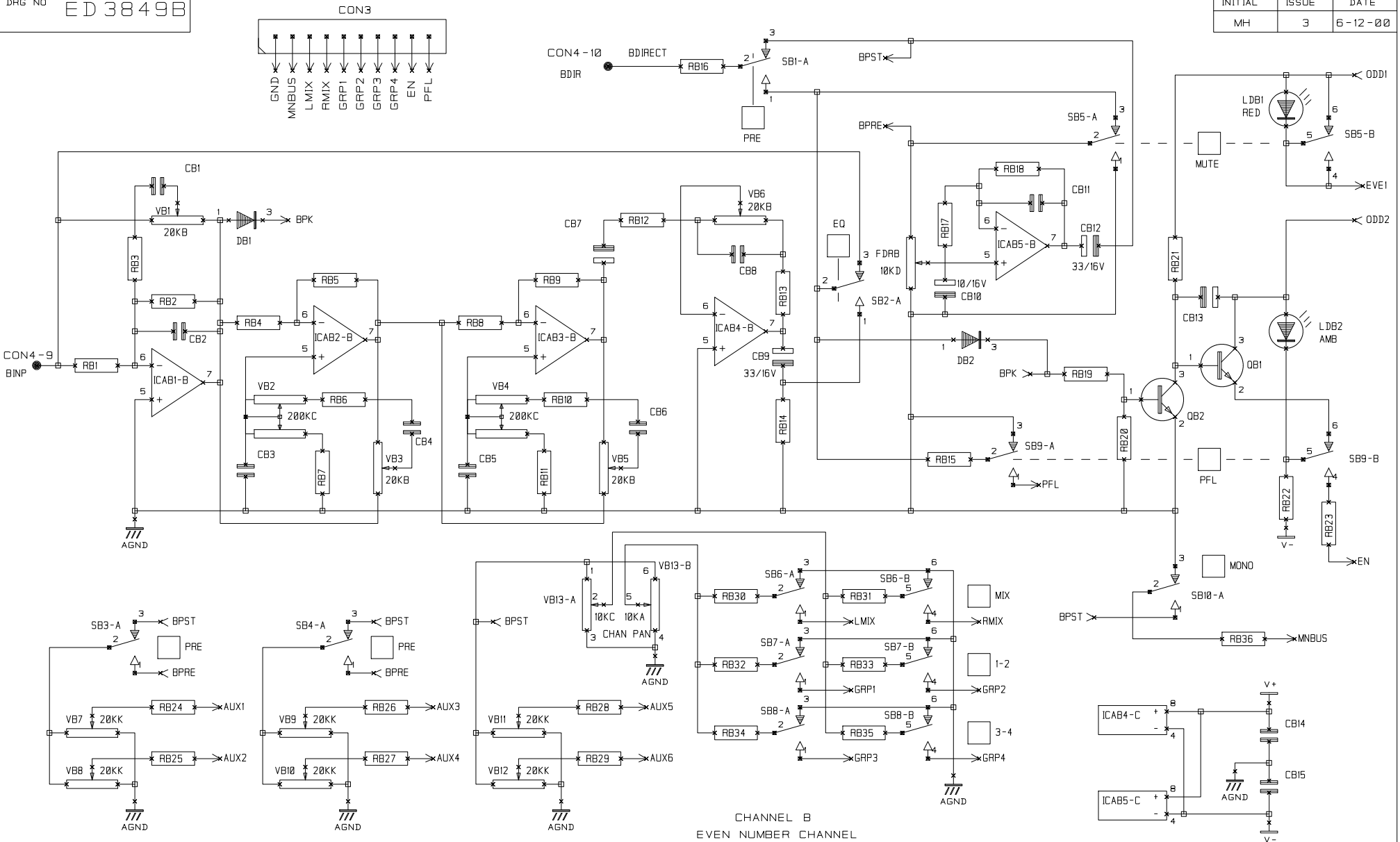


NOTES

STEP AND REPEAT AS ODD NUMBER CHANNELS
(CHANNELS - C.E. AND G.)

DRN.	GHB	TITLE	FOLIO LX7 MONO INPUT
		DRG NO.	ED 3849A

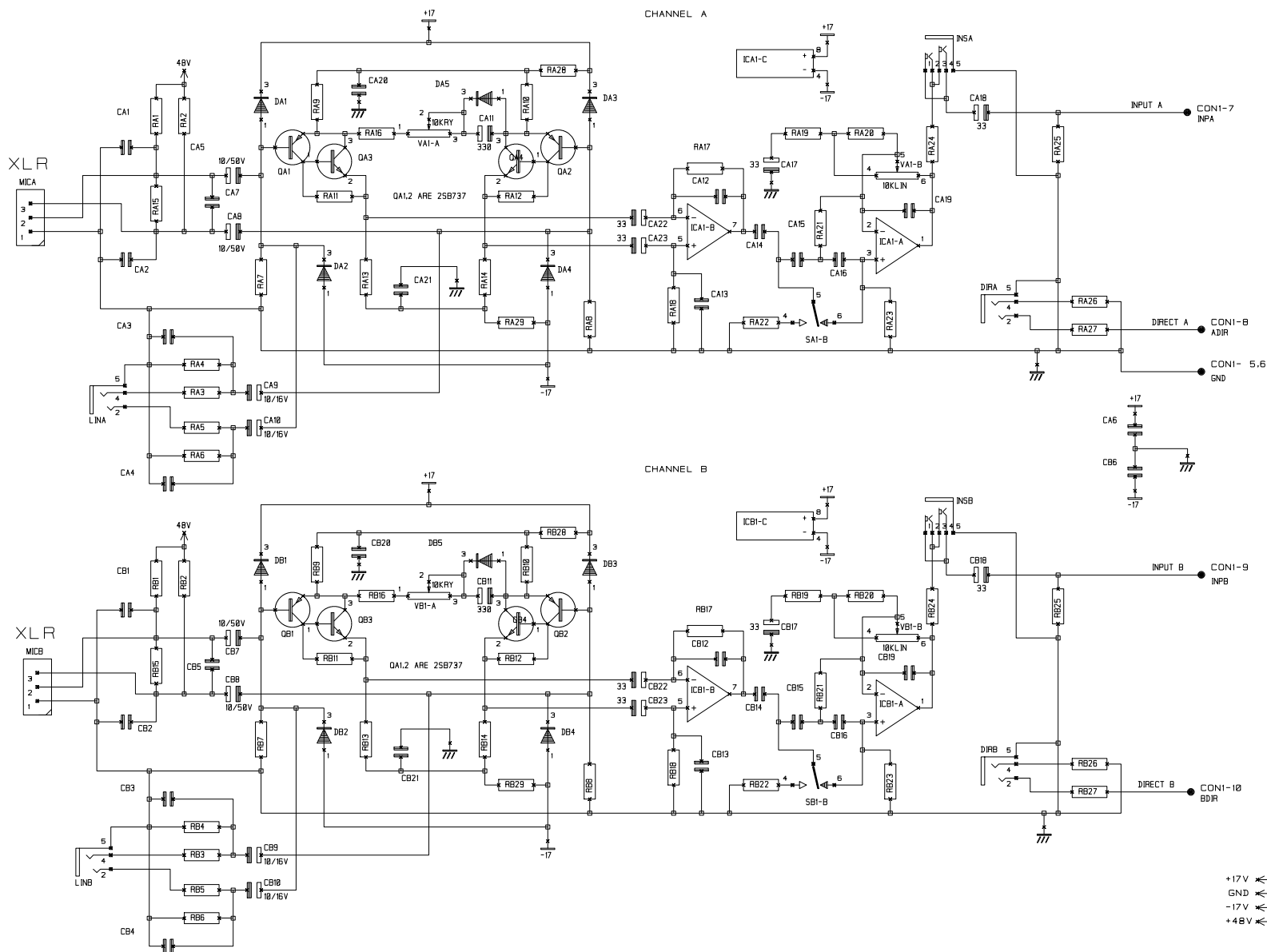
INITIAL	ISSUE	DATE
MH	3	6-12-00



NOTES
 STEP AND REPEAT AS EVEN NUMBER CHANNELS
 (CHANNELS D.F AND H.)

DRN. GHB

TITLE FOLIO LX7
 MONO INPUT
 DRG NO. ED 3849B
 SHT. 2 OF 2

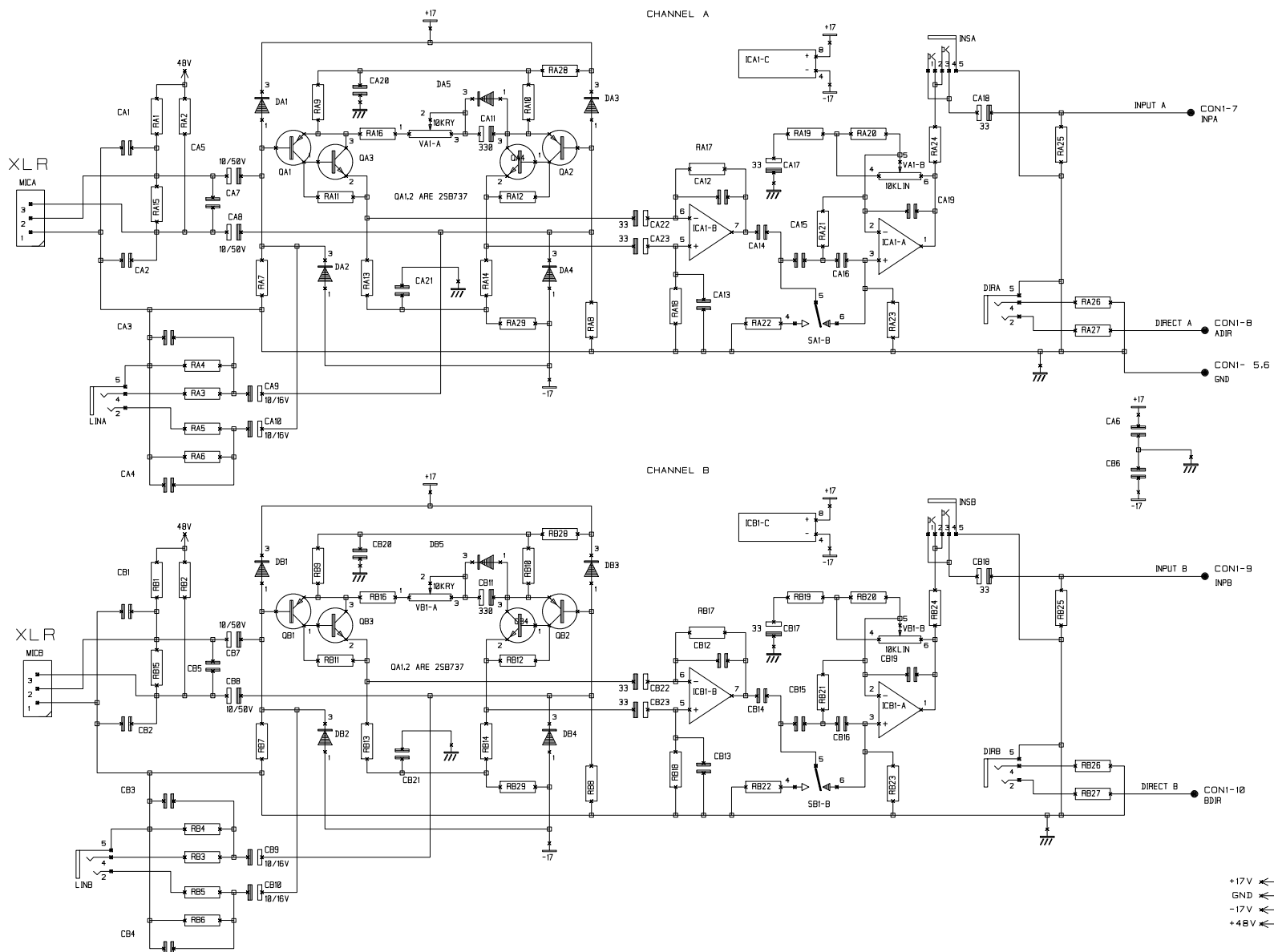


NOTES
STEP AND REPEAT CHANNELS C TO H
(CHANNELS 3 TO 8)

NOTES

DRN. GHB TITLE FOL IO LX16
DUAL MIC PRE

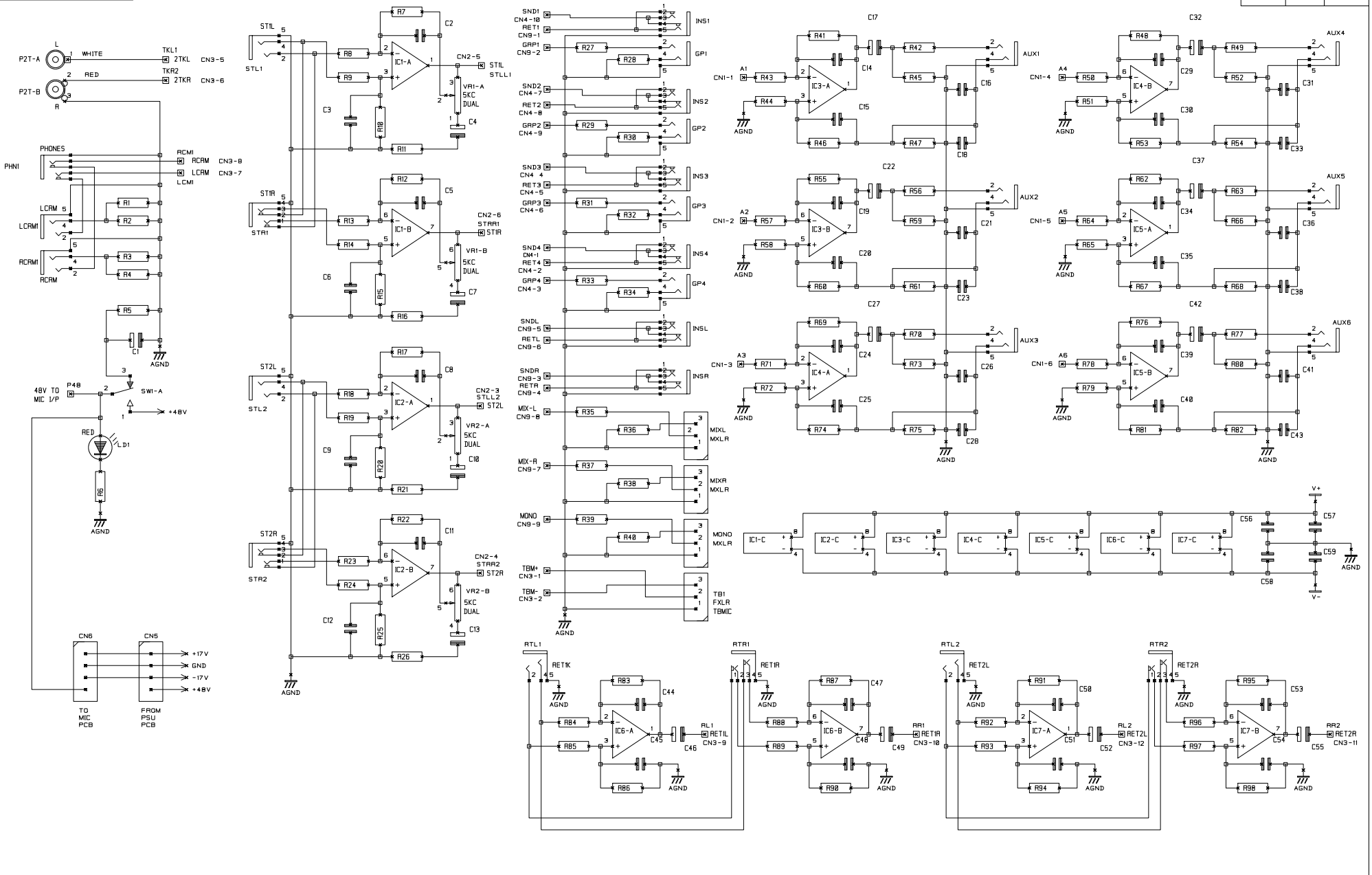
DRG NO. ED 3850



NOTES
STEP AND REPEAT CHANNELS C TO P
(CHANNELS 3 TO 16)

NOTES

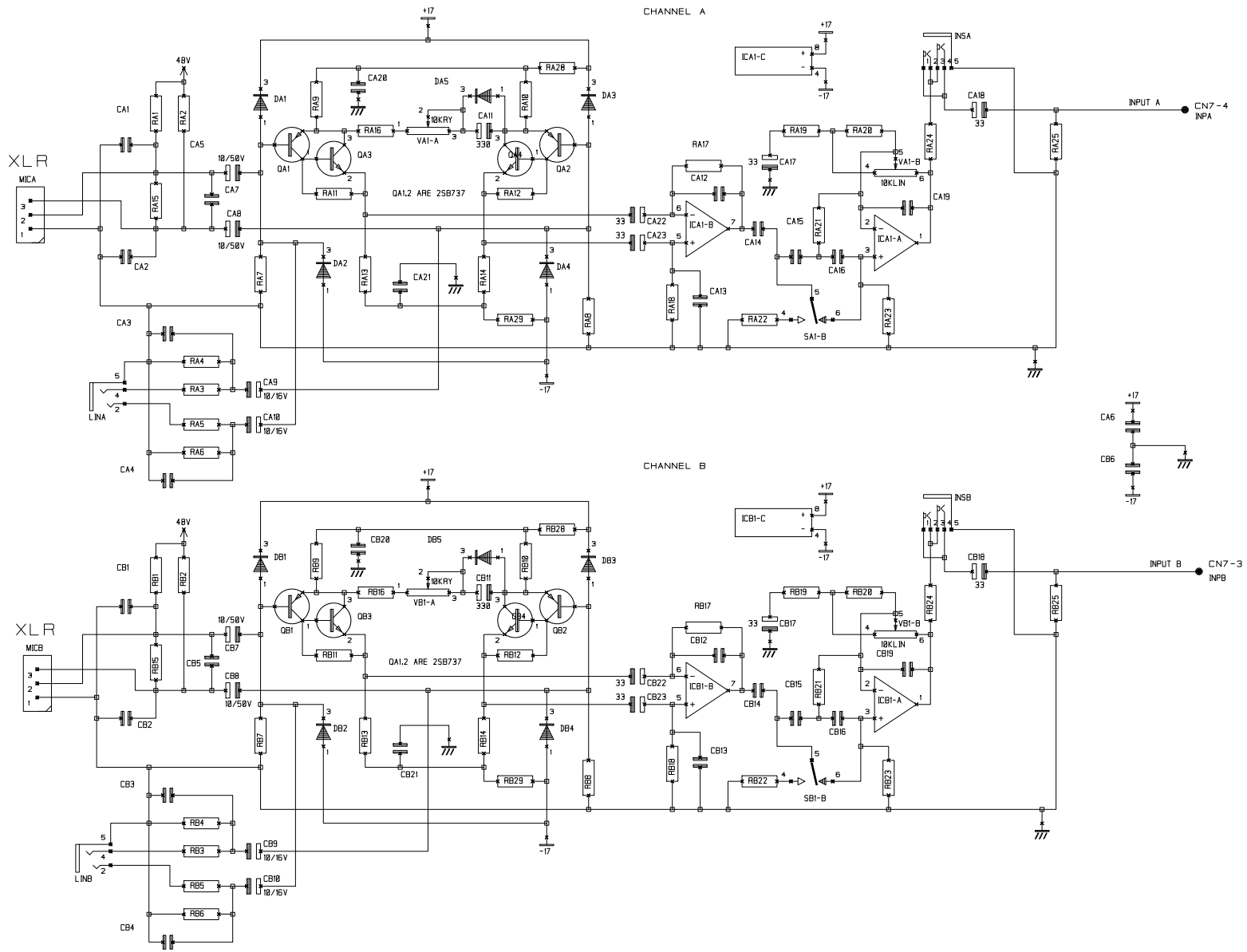
DRN.	GHB	TITLE	FOLIO XL7 DUAL MIC PRE
		DRG NO.	ED 3796
		SHT.	1 OF 1



NOTES

NOTES

DRN.	IGHB	TITLE	FOLIO XL7 REARCONN DUAL MIC
		DRG NO.	ED3826A
		SHT.	1 OF 2

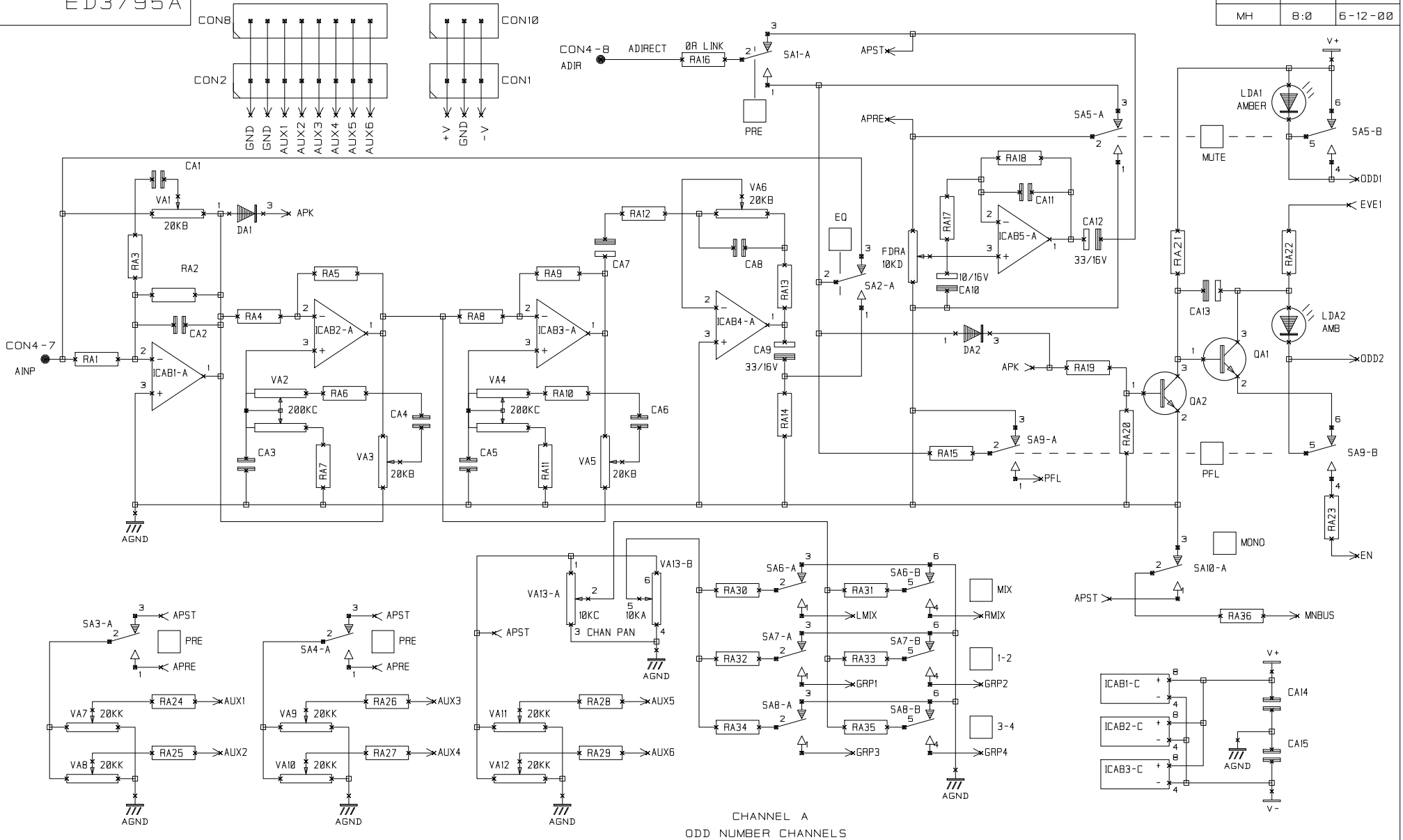


NOTES
STEP AND REPEAT CHANNELS C TO H
(CHANNELS 3 TO 8)

NOTES

DRN.	GHB	TITLE	FOLIO XL7 REARCONN DUAL MIC
		DRG NO.	ED 3826B
SHT. 2 OF 2			

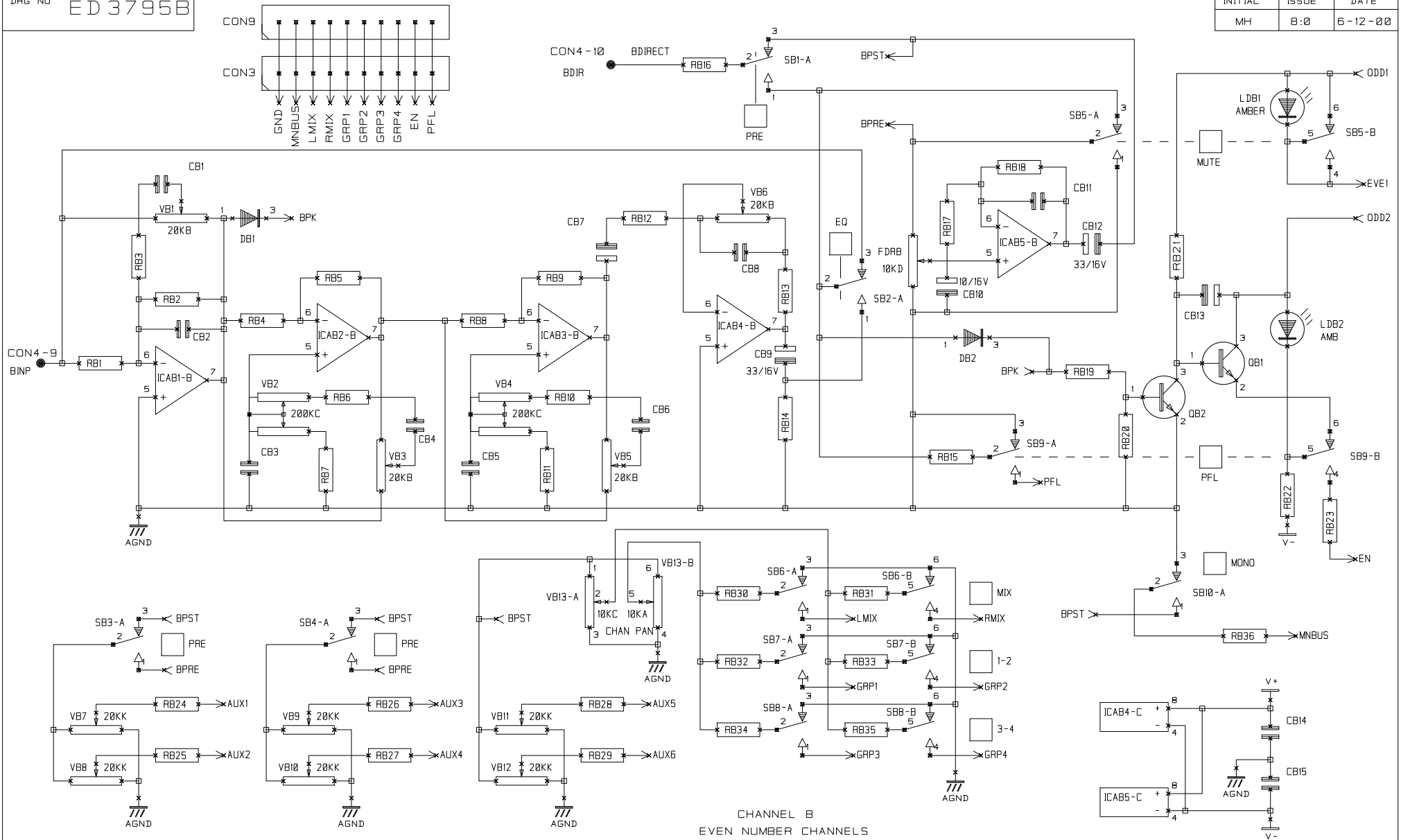
INITIAL	ISSUE	DATE
MH	8:0	6-12-00



- NOTES
- 1) CHANNEL A SHOWN ABOVE.
 - 2) CHANNELS C.E.G.I.K.M. AND O ARE STEP AND REPEAT OF ABOVE CIRCUIT (ODD NUMBER CHANNELS)

DRN.	GHB	TITLE
		SPIRIT LX7/ LX7-40 MONO INPUT
		DRG NO. ED3795A

INITIAL	ISSUE	DATE
MH	8:0	6-12-00



NOTES
 1) CHANNEL B SHOWN ABOVE.
 2) CHANNELS D,F,H,J,L,N, AND P ARE STEP AND REPEAT OF ABOVE CIRCUIT (EVEN NUMBER CHANNELS)

DRN.	GHB	TITLE	SPIRIT LX7 / LX7-40 MONO INPUT
		DRG NO.	ED 3795B