

DRAWING NUMBER ISSUE  
**S-S2001AS-02A**

**Soundcraft**  
 A DIVISION OF HARMAN INTERNATIONAL INDUSTRIES LIMITED  
 CRANBORNE HOUSE  
 CRANBORNE ROAD  
 POTTERS BAR  
 HERTFORDSHIRE  
 EN6 3JN  
 TEL: +44 (0)1707 665000  
 FAX: +44 (0)1707 660482

TITLE:  
**E8 MIXER**

SHEET 1 OF 12  
 FILENAME: S-S2001AS-02A.SCH

DRAWN: AC

DATE: 20/01/01

CHECKED:

MATERIAL:

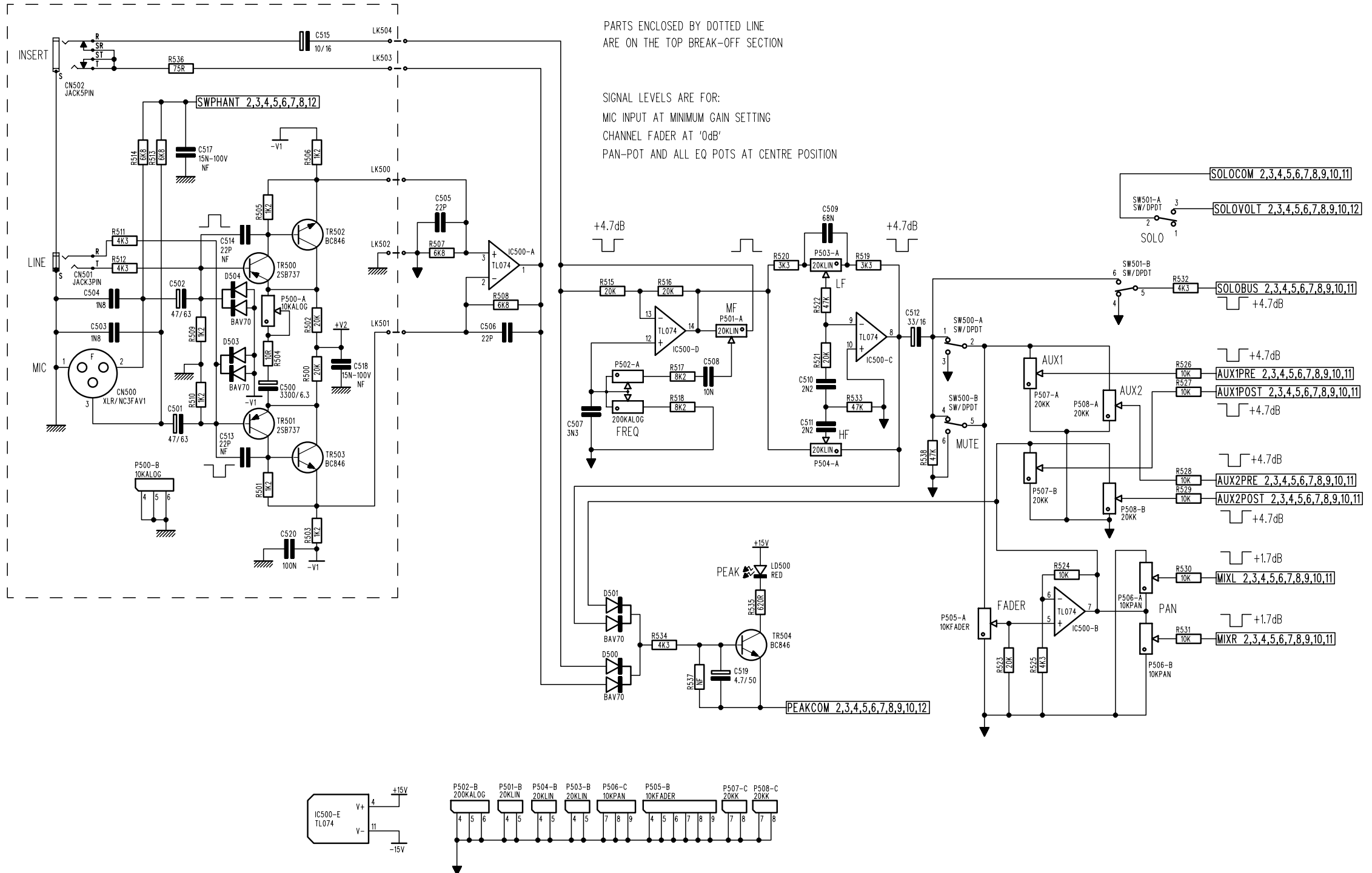
FINISH:

ISSUE COMMENTS:

1. PROTOTYPE RELEASE 20/01/01
2. PRODUCTION RELEASE 08/07/02
- 2A. ECN0620 22/10/02

SOUNDCRAFT OWN THE COPYRIGHT OF THIS DRAWING  
 WHICH IS NOT TO BE COPIED, REPRODUCED OR DISCLOSED  
 IN PART OR WHOLE TO A THIRD PARTY WITHOUT PRIOR WRITTEN PERMISSION  
 ©SOUNDCRAFT, A DIVISION OF HARMAN INTERNATIONAL INDUSTRIES LIMITED

**ELECTRONIC SERVICE  
 TIRGOVISTE**



PARTS ENCLOSED BY DOTTED LINE  
 ARE ON THE TOP BREAK-OFF SECTION

SIGNAL LEVELS ARE FOR:  
 MIC INPUT AT MINIMUM GAIN SETTING  
 CHANNEL FADER AT '0dB'  
 PAN-POT AND ALL EQ POTS AT CENTRE POSITION



DRAWING NUMBER ISSUE  
**S-S2001AS-02A**

**Soundcraft**  
 A DIVISION OF HARMAN INTERNATIONAL INDUSTRIES LIMITED  
 CRANBORNE HOUSE  
 CRANBORNE ROAD  
 POTTERS BAR  
 HERTFORDSHIRE  
 EN6 3JN  
 TEL: +44 (0)1707 665000  
 FAX: +44 (0)1707 660482

TITLE: **E8 MIXER**

SHEET 3 OF 12  
 FILENAME: S-S2001AS-02A.SCH

DRAWN: AC

DATE: 20/01/01

CHECKED:

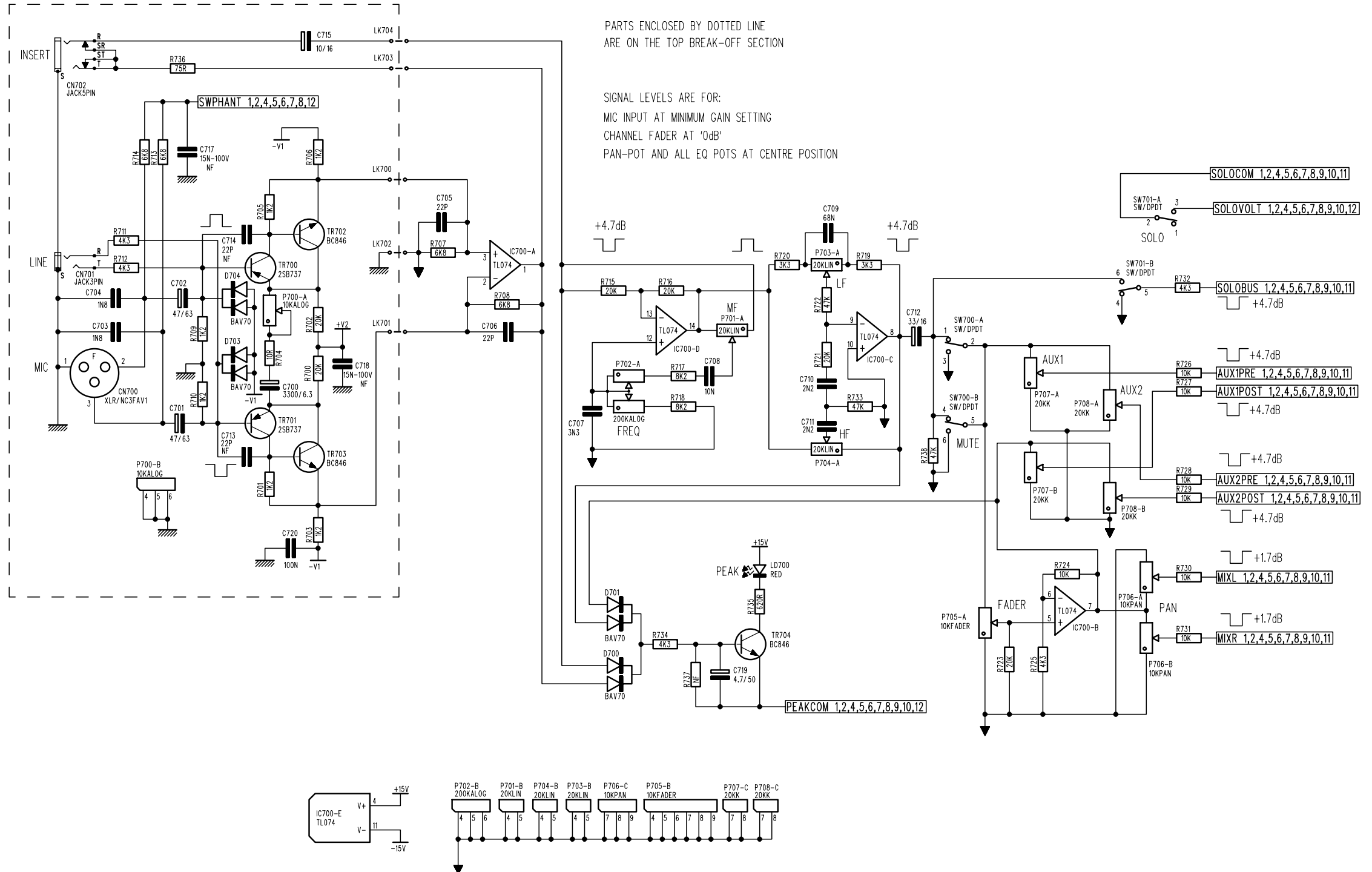
MATERIAL:

FINISH:

ISSUE COMMENTS:

SOUNDCRAFT OWN THE COPYRIGHT OF THIS DRAWING  
 WHICH IS NOT TO BE COPIED, REPRODUCED OR DISCLOSED  
 IN PART OR WHOLE TO A THIRD PARTY WITHOUT PRIOR WRITTEN PERMISSION  
 ©SOUNDCRAFT, A DIVISION OF HARMAN INTERNATIONAL INDUSTRIES LIMITED

**ELECTRONIC SERVICE  
 TIRGOVISTE**







DRAWING NUMBER ISSUE  
**S-S2001AS-02A**

**Soundcraft**  
 A DIVISION OF HARMAN INTERNATIONAL INDUSTRIES LIMITED  
 CRANBORNE HOUSE  
 CRANBORNE ROAD  
 POTTERS BAR  
 HERTFORDSHIRE  
 EN6 3JN  
 TEL: +44 (0)1707 665000  
 FAX: +44 (0)1707 660482

TITLE:  
**E8 MIXER**

SHEET 6 OF 12  
 FILENAME: S-S2001AS-02A.SCH

DRAWN: AC

DATE: 20/01/01

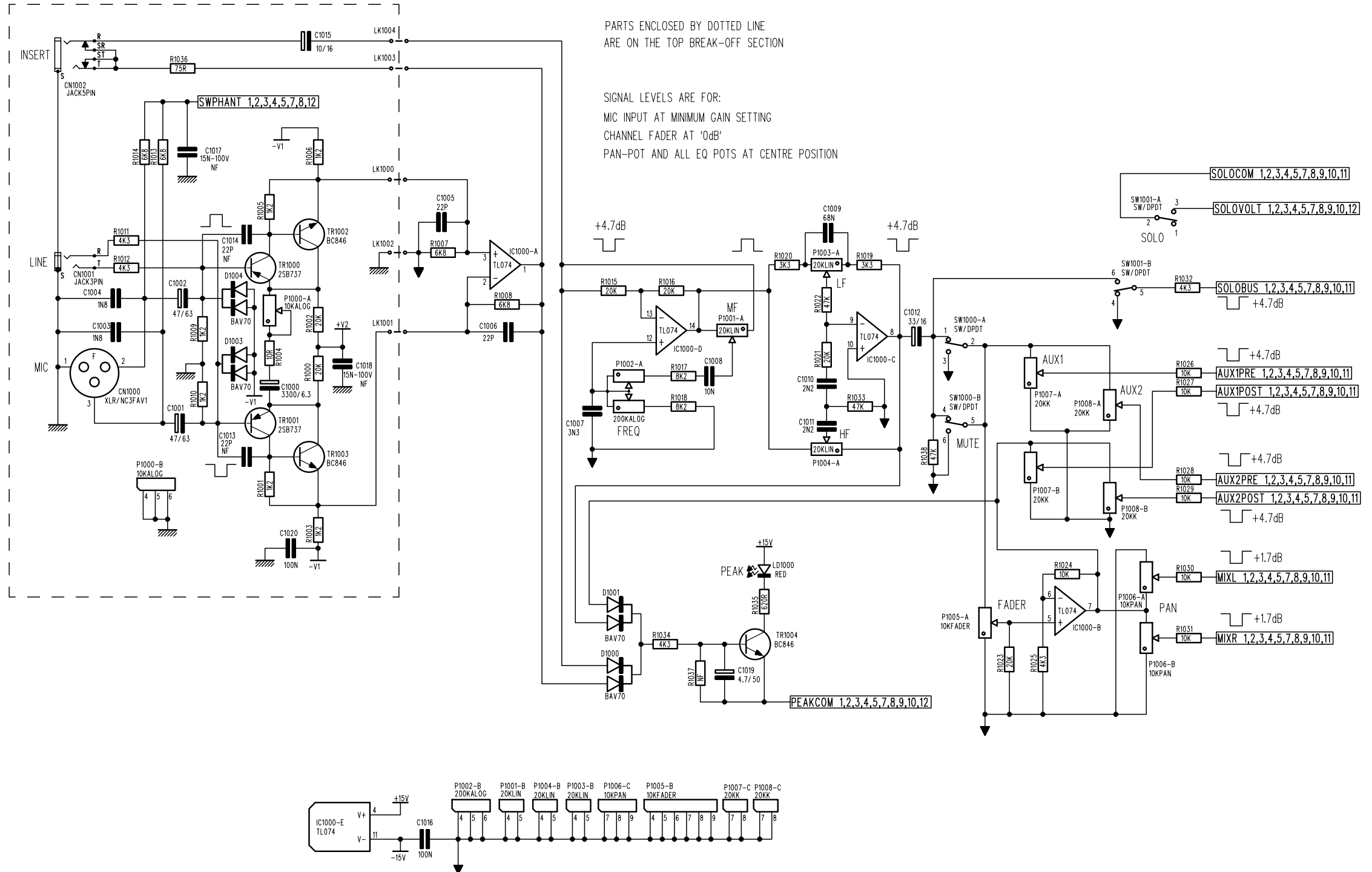
CHECKED:

MATERIAL:

FINISH:

ISSUE COMMENTS:

**ELECTRONIC SERVICE  
 TIRGOVISTE**







DRAWING NUMBER ISSUE  
**S-S2001AS-02A**

**Soundcraft**  
 A DIVISION OF HARMAN INTERNATIONAL INDUSTRIES LIMITED  
 CRANBORNE HOUSE  
 CRANBORNE ROAD  
 POTTERS BAR  
 HERTFORDSHIRE  
 EN6 3JN  
 TEL: +44 (0)1707 665000  
 FAX: +44 (0)1707 660482

TITLE:  
**E8 MIXER**

SHEET 8 OF 12  
 FILENAME: S-S2001AS-02A.SCH

DRAWN: AC

DATE: 20/01/01

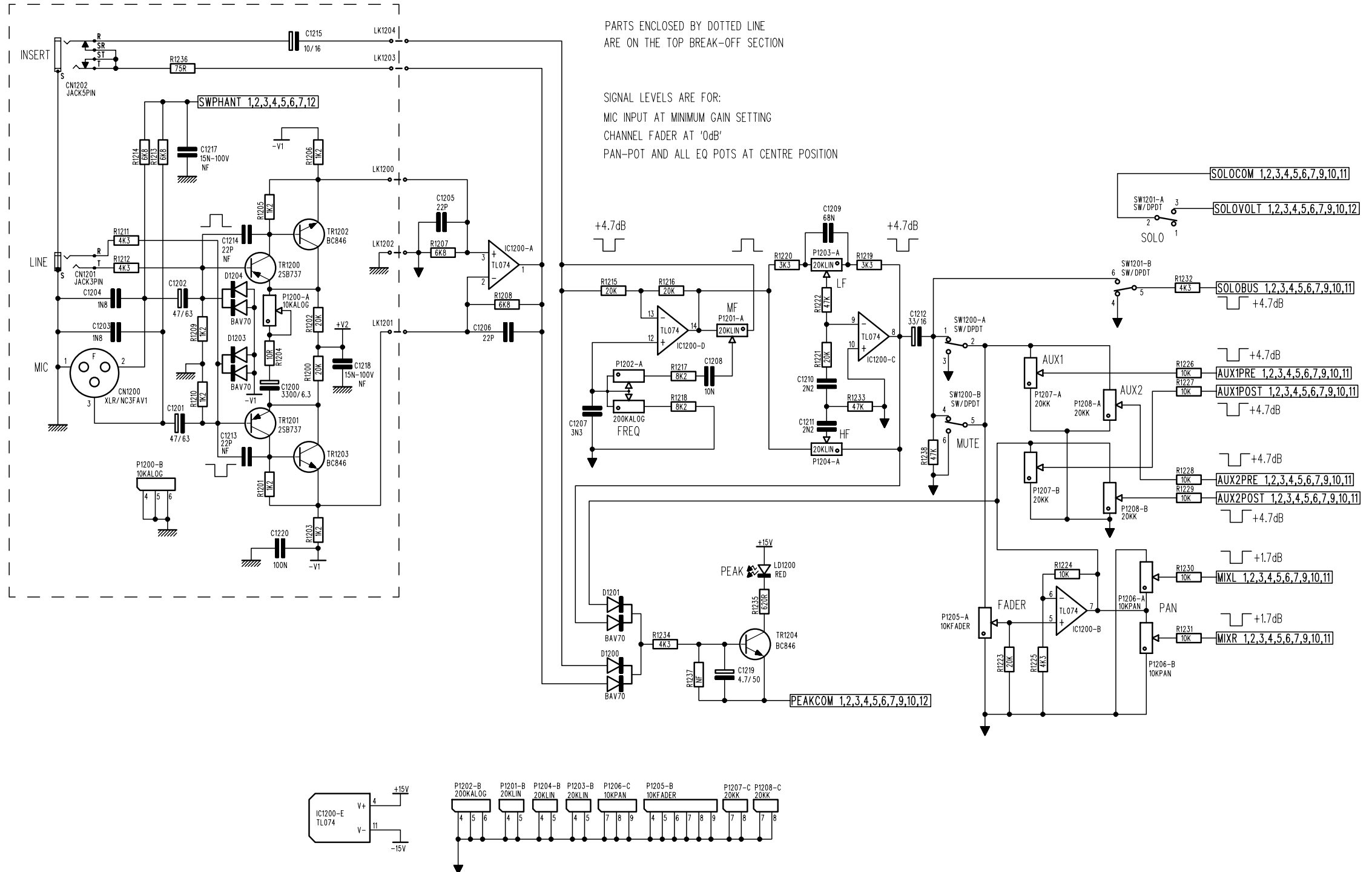
CHECKED:

MATERIAL:

FINISH:

ISSUE COMMENTS:

**ELECTRONIC SERVICE  
 TIRGOVISTE**



SOUNDRAFT OWN THE COPYRIGHT OF THIS DRAWING  
 WHICH IS NOT TO BE COPIED, REPRODUCED OR DISCLOSED  
 IN PART OR WHOLE TO A THIRD PARTY WITHOUT PRIOR WRITTEN PERMISSION  
 ©SOUNDRAFT, A DIVISION OF HARMAN INTERNATIONAL INDUSTRIES LIMITED



DRAWING NUMBER ISSUE  
**S-S2001AS-02A**

**Soundcraft**  
 A DIVISION OF HARMAN INTERNATIONAL INDUSTRIES LIMITED  
 CRANBORNE HOUSE  
 CRANBORNE ROAD  
 POTTERS BAR  
 HERTFORDSHIRE  
 EN6 3JN  
 TEL: +44 (0)1707 665000  
 FAX: +44 (0)1707 660482

TITLE: **E8 MIXER**

SHEET 9 OF 12  
 FILENAME: S-S2001AS-02A.SCH

DRAWN: AC

DATE: 20/01/01

CHECKED:

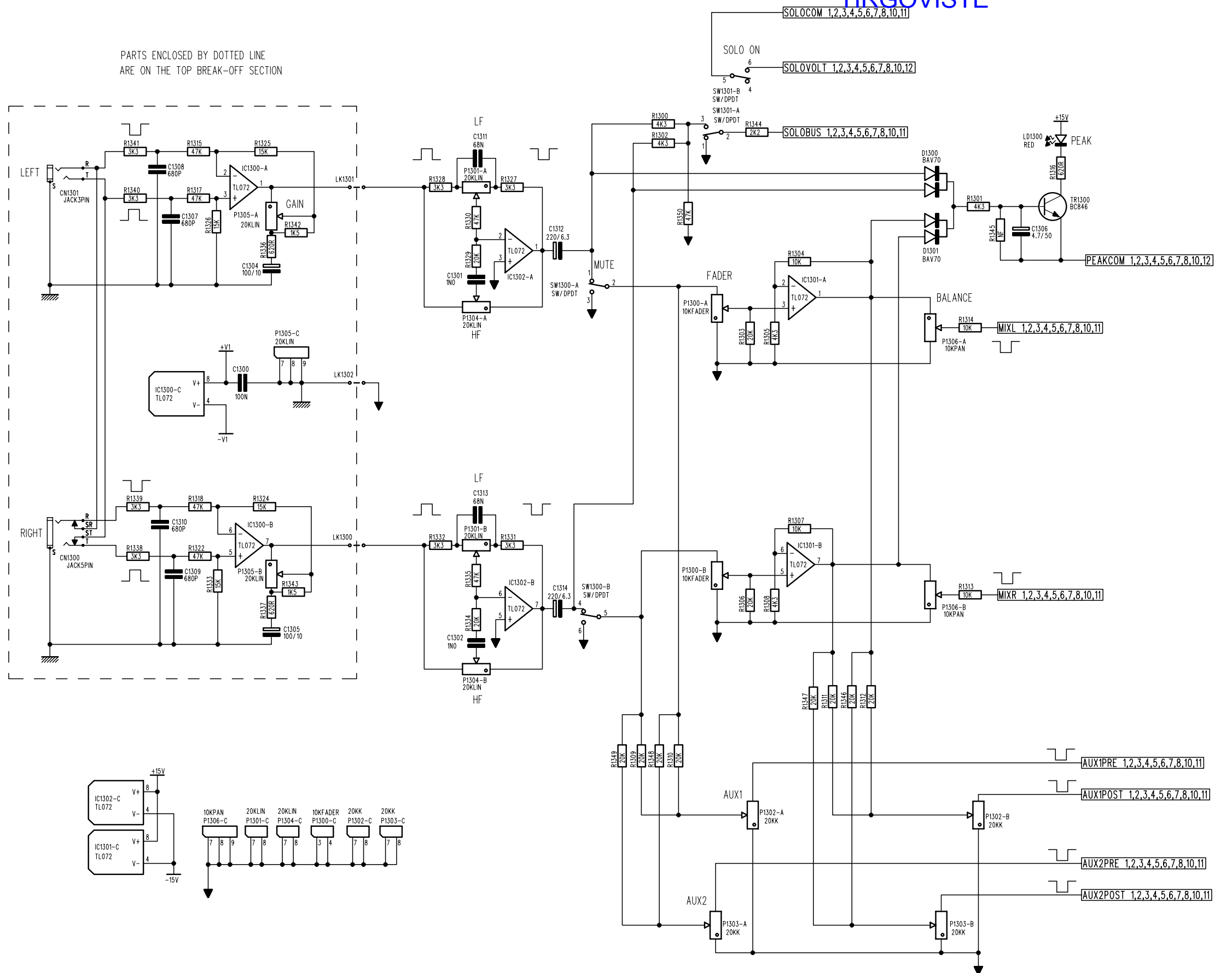
MATERIAL:

FINISH:

ISSUE COMMENTS:

SOUNDCRAFT OWNS THE COPYRIGHT OF THIS DRAWING  
 WHICH IS NOT TO BE COPIED, REPRODUCED OR DISCLOSED  
 IN PART OR WHOLE TO A THIRD PARTY WITHOUT PRIOR WRITTEN PERMISSION  
 ©SOUNDCRAFT, A DIVISION OF HARMAN INTERNATIONAL INDUSTRIES LIMITED

**ELECTRONIC SERVICE  
 TIRGOVISTE**



DRAWING NUMBER ISSUE  
**S-S2001AS-02A**

**Soundcraft**  
 A DIVISION OF HARMAN INTERNATIONAL INDUSTRIES LIMITED  
 CRANBORNE HOUSE  
 CRANBORNE ROAD  
 POTTERS BAR  
 HERTFORDSHIRE  
 EN6 3JN  
 TEL: +44 (0)1707 665000  
 FAX: +44 (0)1707 660482

TITLE: **E8 MIXER**

SHEET 10 OF 12  
 FILENAME: S-S2001AS-02A.SCH

DRAWN: AC

DATE: 20/01/01

CHECKED:

MATERIAL:

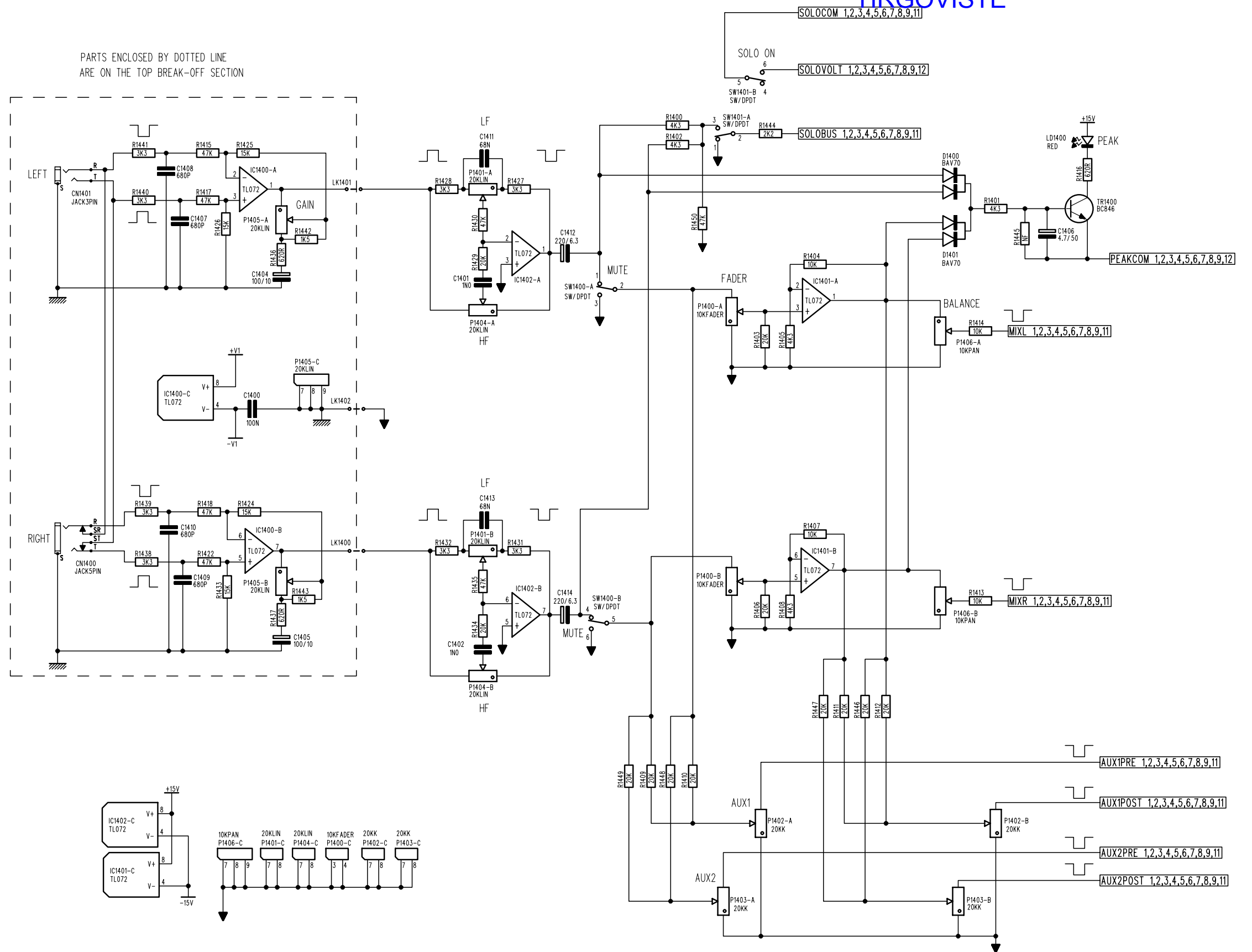
FINISH:

ISSUE COMMENTS:

SOUNDCRAFT OWNS THE COPYRIGHT OF THIS DRAWING  
 WHICH IS NOT TO BE COPIED, REPRODUCED OR DISCLOSED  
 IN PART OR WHOLE TO A THIRD PARTY WITHOUT PRIOR WRITTEN PERMISSION  
 ©SOUNDCRAFT, A DIVISION OF HARMAN INTERNATIONAL INDUSTRIES LIMITED

**ELECTRONIC SERVICE  
 TIRGOVISTE**

PARTS ENCLOSED BY DOTTED LINE  
 ARE ON THE TOP BREAK-OFF SECTION



DRAWING NUMBER ISSUE  
**S-S2001AS-02A**

**Soundcraft**  
 A DIVISION OF HARMAN INTERNATIONAL INDUSTRIES LIMITED  
 CRANBORNE HOUSE  
 CRANBORNE ROAD  
 POTTERS BAR  
 HERTFORDSHIRE  
 EN6 3JN  
 TEL: +44 (0)1707 665000  
 FAX: +44 (0)1707 660482

TITLE: **E8 MIXER**

SHEET 11 OF 12  
 FILENAME: S-S2001AS-02A.SCH

DRAWN: AC

DATE: 20/01/01

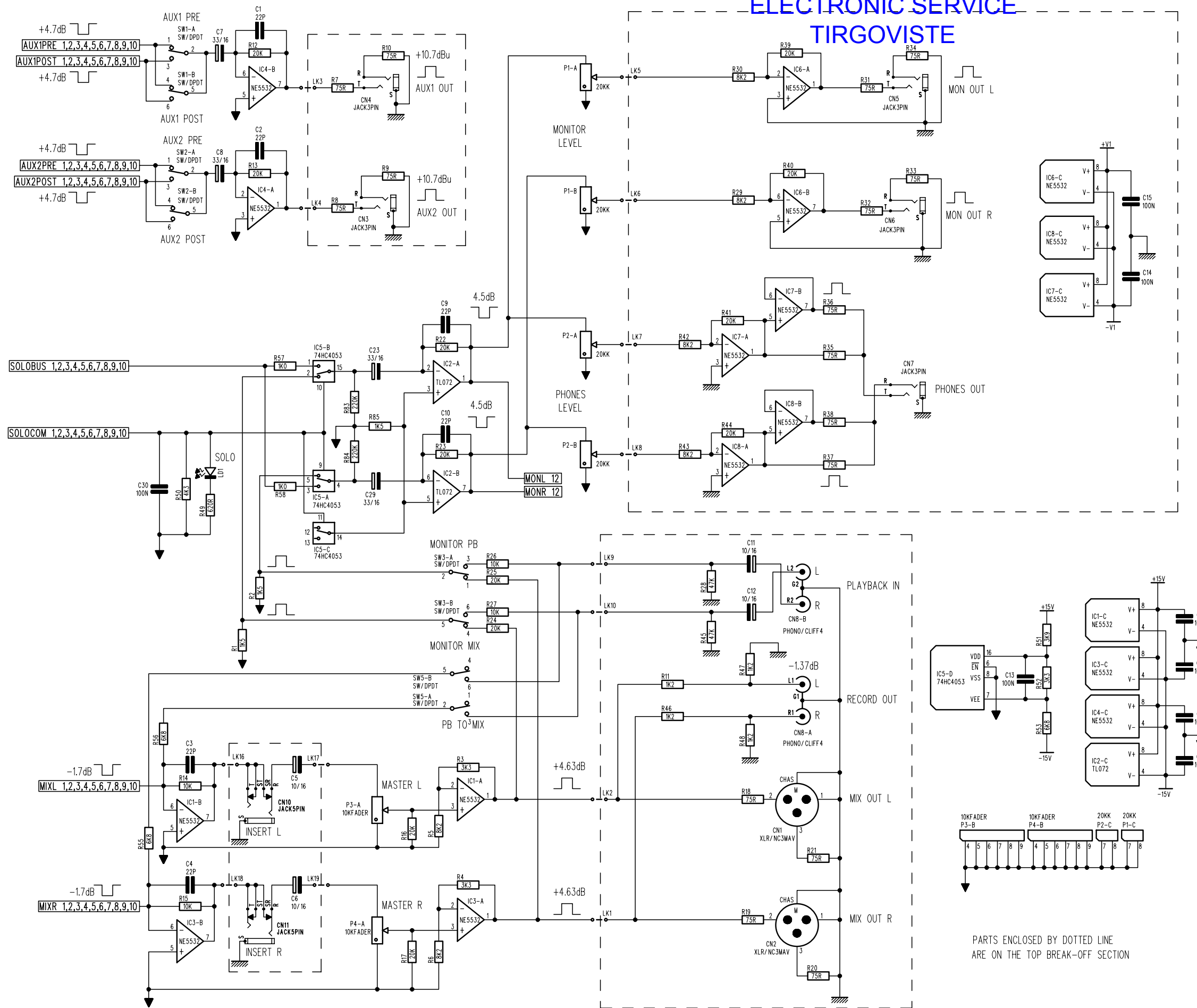
CHECKED:

MATERIAL:

FINISH:

ISSUE COMMENTS:

SOUNDCRAFT OWN THE COPYRIGHT OF THIS DRAWING WHICH IS NOT TO BE COPIED, REPRODUCED OR DISCLOSED IN PART OR WHOLE TO A THIRD PARTY WITHOUT PRIOR WRITTEN PERMISSION ©SOUNDCRAFT, A DIVISION OF HARMAN INTERNATIONAL INDUSTRIES LIMITED



DRAWING NUMBER ISSUE  
**S-S2001AS-02A**

**Soundcraft**  
 A DIVISION OF HARMAN INTERNATIONAL INDUSTRIES LIMITED  
 CRANBORNE HOUSE  
 CRANBORNE ROAD  
 POTTERS BAR  
 HERTFORDSHIRE  
 EN6 3JN  
 TEL: +44 (0)1707 665000  
 FAX: +44 (0)1707 660482

TITLE: **E8 MIXER**

SHEET 12 OF 12

FILENAME: S-S2001AS-02A.SCH

DRAWN: AC

DATE: 20/01/01

CHECKED:

MATERIAL:

FINISH:

ISSUE COMMENTS:

SOUNDCRAFT OWN THE COPYRIGHT OF THIS DRAWING  
 WHICH IS NOT TO BE COPIED, REPRODUCED OR DISCLOSED  
 IN PART OR WHOLE TO A THIRD PARTY WITHOUT PRIOR WRITTEN PERMISSION  
 ©SOUNDCRAFT, A DIVISION OF HARMAN INTERNATIONAL INDUSTRIES LIMITED

**ELECTRONIC SERVICE  
 TIRGOVISTE**

