

DRAWING NUMBER ISSUE  
**E0050A-04**

**Soundcraft**

A DIVISION OF HARMAN INTERNATIONAL INDUSTRIES LIMITED  
 CRANBORNE HOUSE  
 CRANBORNE ROAD  
 POTTERS BAR  
 HERTFORDSHIRE  
 EN6 3JN  
 TEL: +44 (0)1707 665000  
 FAX: +44 (0)1707 660482

TITLE: JACKPOT PSU

SHEET 1 OF 1

FILENAME: E0050A-03A.SCH

DRAWN: CN

DATE: 29/01/04

CHECKED:

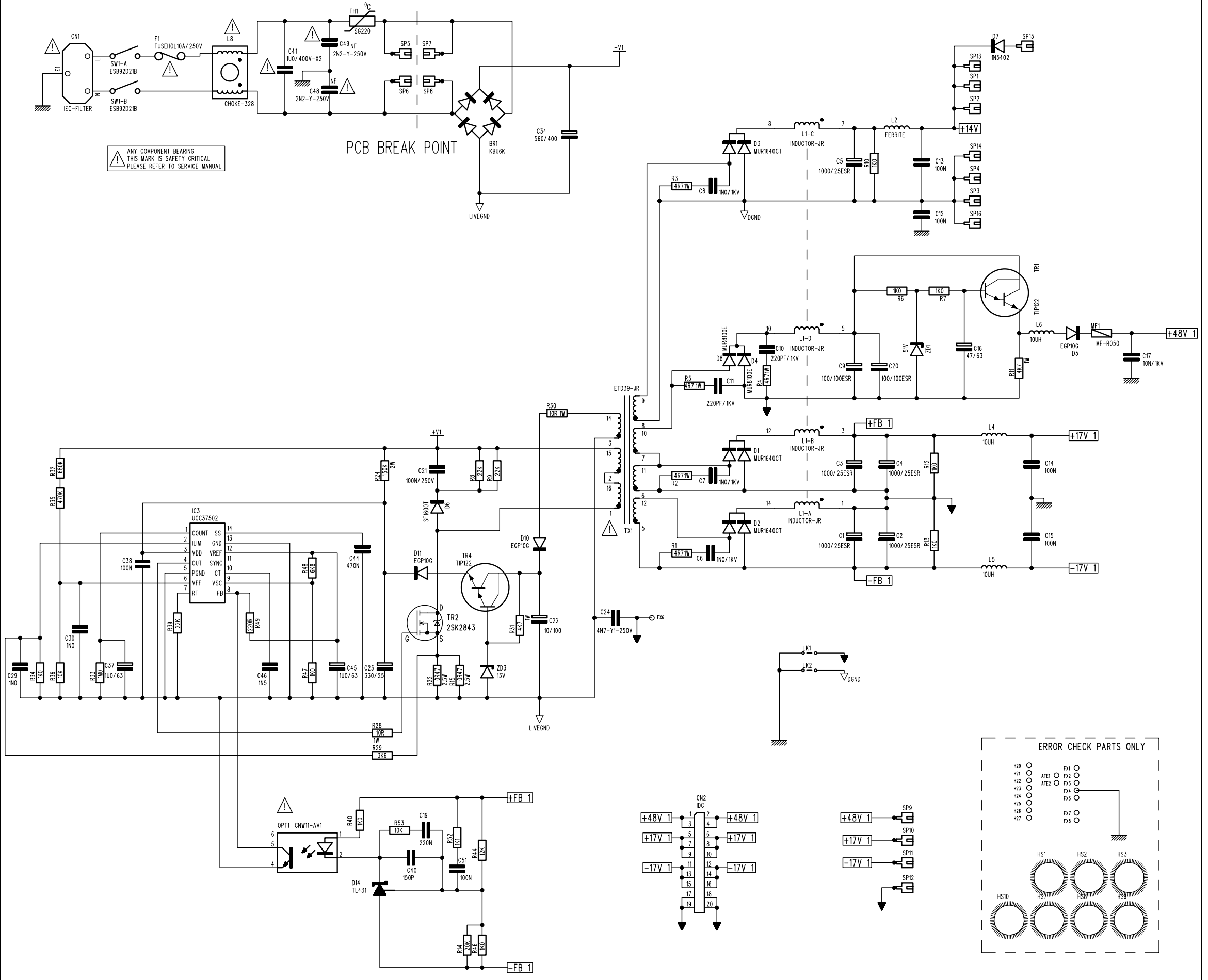
MATERIAL:

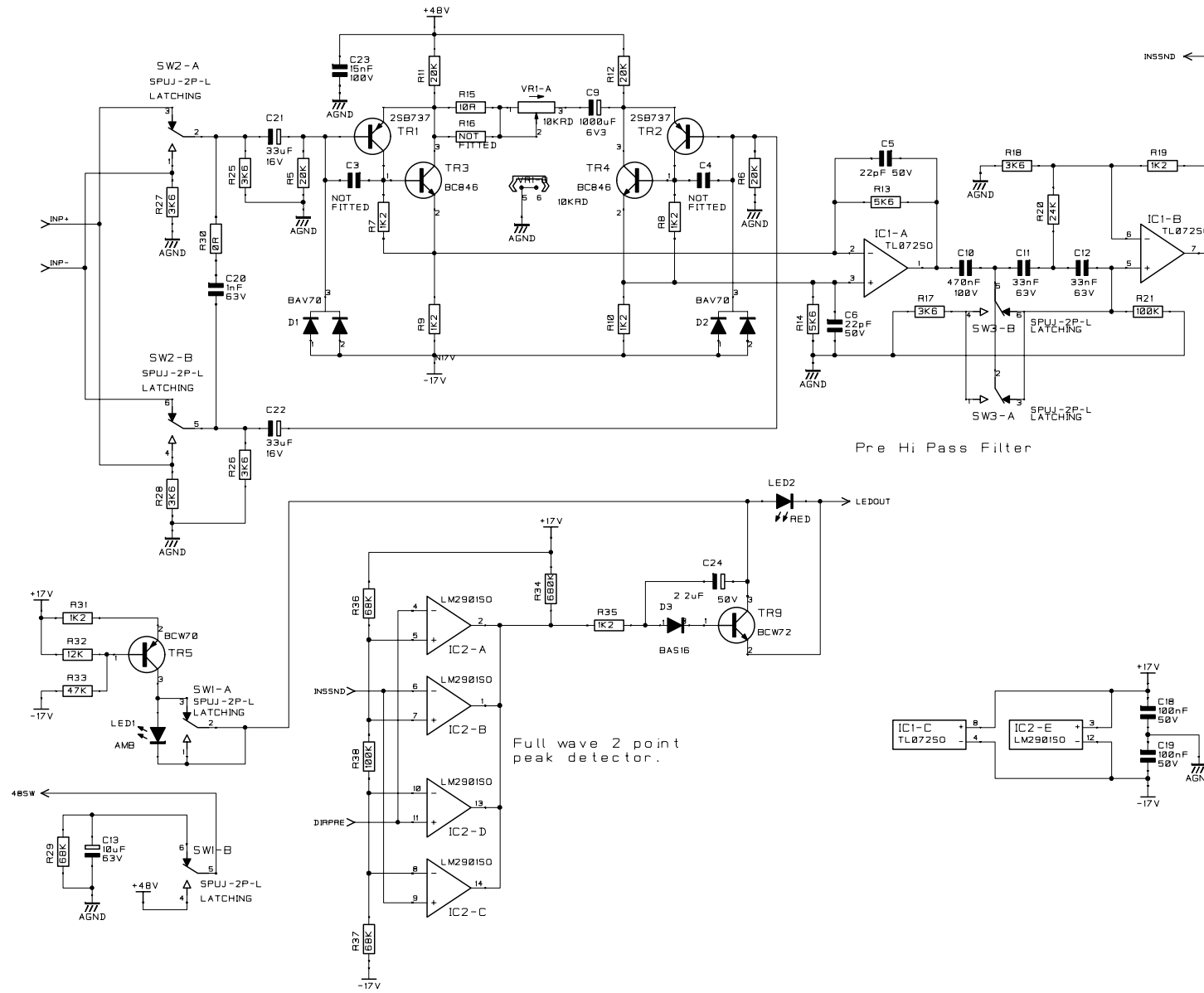
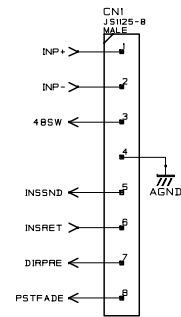
FINISH:

ISSUE COMMENTS:

1. PROTOTYPE RELEASE
2. PRE PRODUCTION RELEASE 20/04/04
3. PRODUCTION RELEASE SEE PDMR 28/06/04
- 3A. ECNH204 27/07/04
4. ECNH264 07/09/04

SOUNDCRAFT OWN THE COPYRIGHT OF THIS DRAWING  
 WHICH IS NOT TO BE COPIED, REPRODUCED OR DISCLOSED  
 IN PART OR WHOLE TO A THIRD PARTY WITHOUT PRIOR WRITTEN PERMISSION  
 ©SOUNDCRAFT, A DIVISION OF HARMAN INTERNATIONAL INDUSTRIES LIMITED





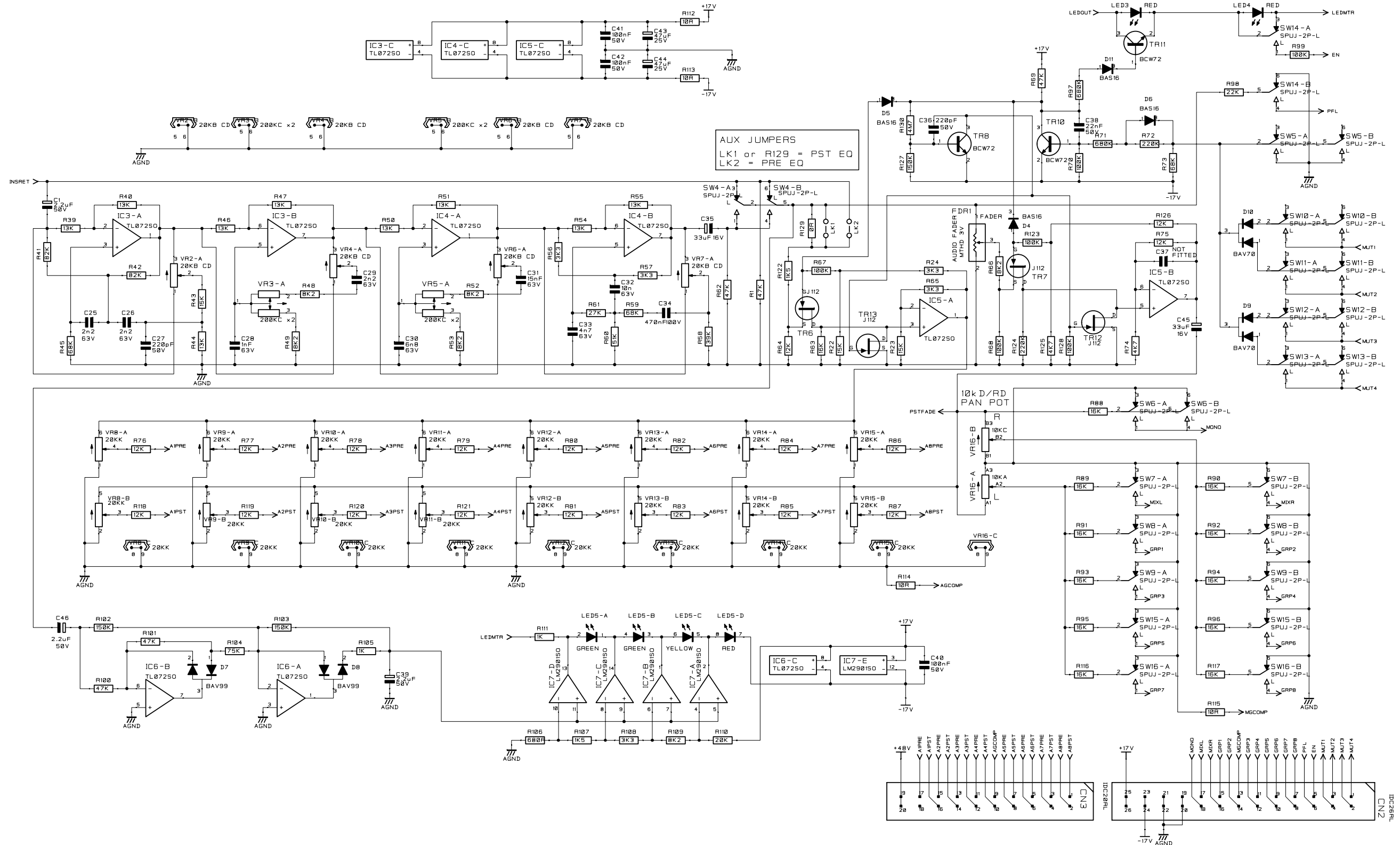
HARMAN INTERNATIONAL INDUSTRIES LTD. OWNS THE COPYRIGHT OF THIS DRAWING WHICH IS NOT TO BE COPIED, REPRODUCED OR DISCLOSED, IN PART OR WHOLE TO A THIRD PARTY WITHOUT PRIOR WRITTEN PERMISSION.

SOUNDCRAFT/BSS  
 HARMAN INT. INDUSTRIES LTD.  
 CRANBORNE HOUSE,  
 CRANBORNE ROAD,  
 POTTERS BAR,  
 HERTS. EN6 3JN.  
 TEL: 01707 665000  
 FAX: 01707 660482

NOTES:

DRN.	GHB	CN No.	INITIAL	DATE	ISSUE	TITLE
DATE	01-03-04		DCB	01-06-04	02A	GB8 (P.C.2565)
			DCB	10-08-04	02B	MONO INPUT
			GHB	15-09-04	03A	PRE AMP
			GHB	07-10-04	04A	
		ECNH295	DCB	11-10-04	04B	
		ECNH329	GHB	17-11-04	04C	
						DRG NO. E0052A-04C
						SHT.1 OF 2

DRG NO. E0052A-04C



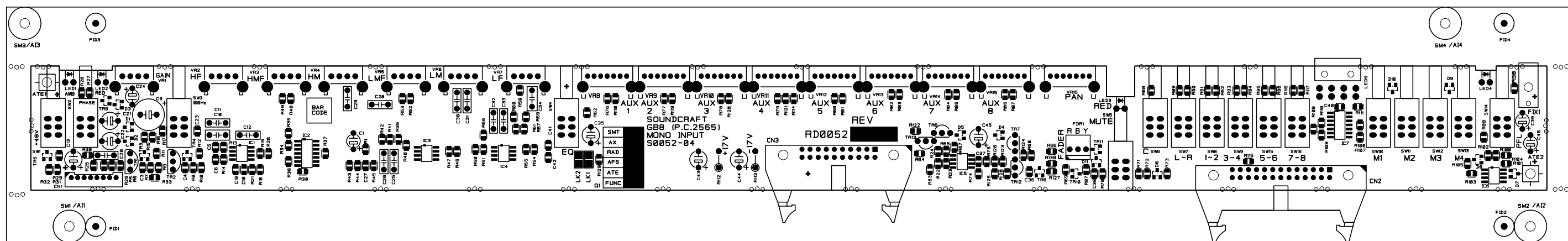
HARMAN INTERNATIONAL INDUSTRIES LTD. OWNS THE COPYRIGHT OF THIS DRAWING WHICH IS NOT TO BE COPIED, REPRODUCED OR DISCLOSED, IN PART OR WHOLE TO A THIRD PARTY WITHOUT PRIOR WRITTEN PERMISSION.

SOUNDCRAFT/BSS  
HARMAN INT. INDUSTRIES LTD.  
CRANBORNE HOUSE,  
CRANBORNE ROAD,  
POTTERS BAR,  
HERTS. EN6 3JN.  
TEL: 01707 665000  
FAX: 01707 660482

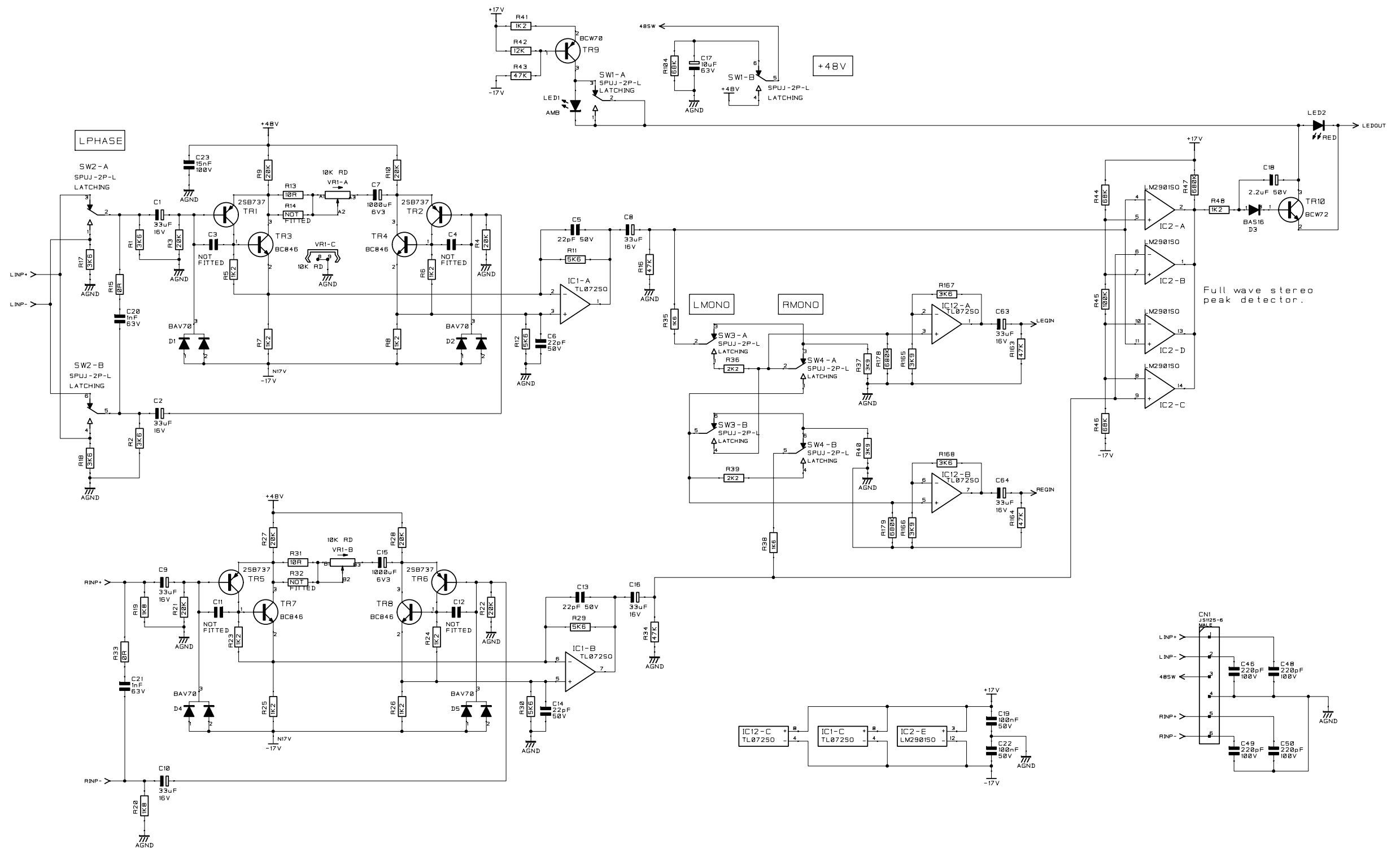
NOTES:

DRN.	GHB	CN No.	INITIAL	DATE	ISSUE	TITLE
DATE	01-03-04		DCB	01-06-04	02A	GB8 (P.C.2565) MONO INPUT EQ/AUX/ROUTING
			DCB	10-08-04	02B	
			GHB	15-09-04	03A	
			GHB	07-10-04	04A	
			ECNH295	11-10-04	04B	
			ECNH329	17-11-04	04C	

DRG NO. E0052A-04C SHT. 2 OF 2



GBB MONO INPUT PCB  
 07/10/04 (P.C.2565)  
 S0052-04-SB



HARMAN INTERNATIONAL INDUSTRIES LTD. OWNS THE COPYRIGHT OF THIS DRAWING WHICH IS NOT TO BE COPIED, REPRODUCED OR DISCLOSED, IN PART OR WHOLE TO A THIRD PARTY WITHOUT PRIOR WRITTEN PERMISSION.

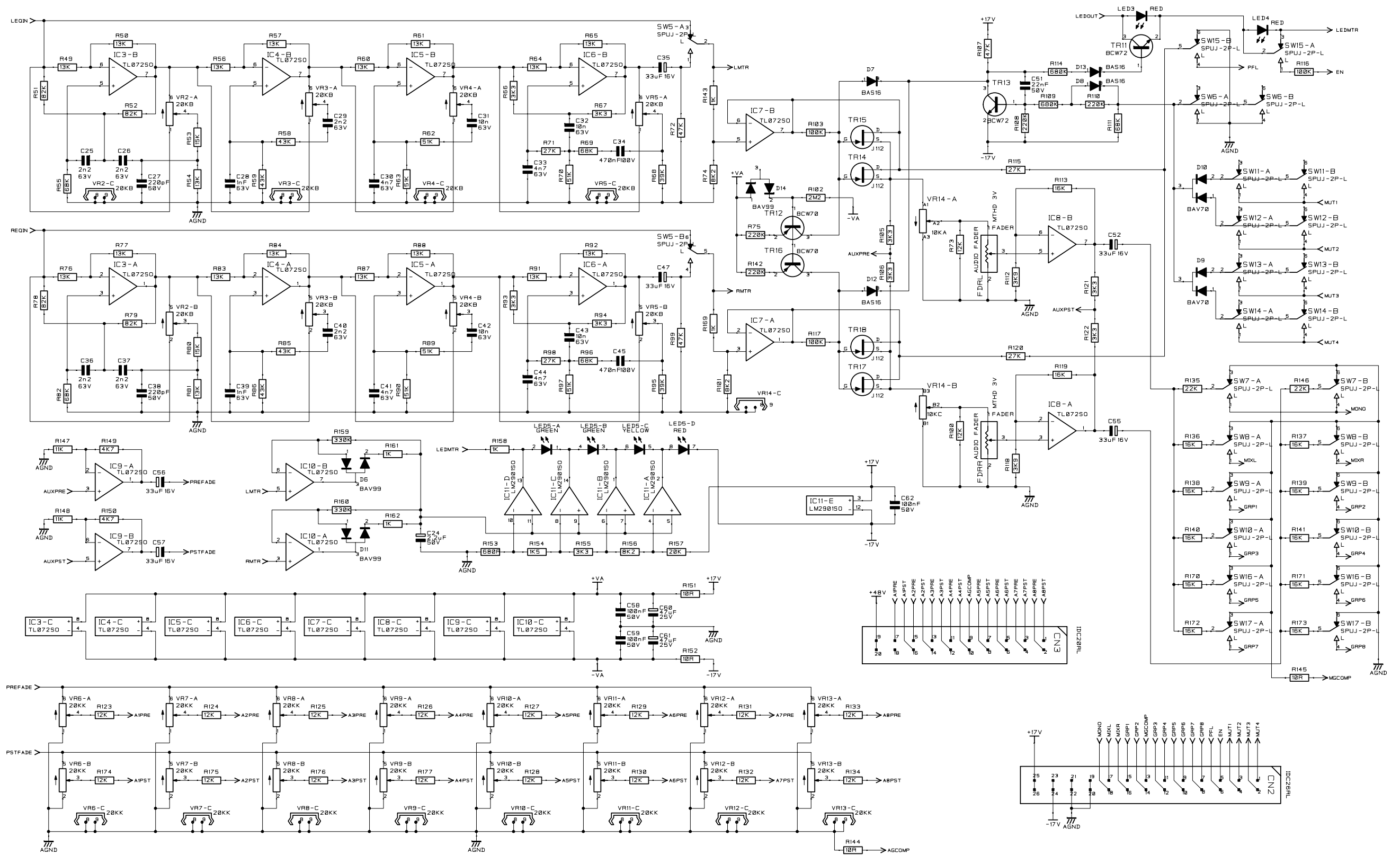
SOUNDCRAFT/BSS  
 HARMAN INT. INDUSTRIES LTD.  
 CRANBORNE HOUSE,  
 CRANBORNE ROAD,  
 POTTERS BAR,  
 HERTS. EN6 3JN.  
 TEL: 01707 665000  
 FAX: 01707 660482

NOTES:

DRN.	GHB	CN No.	INITIAL	DATE	ISSUE	TITLE
DATE	15-03-04		GHB	15-03-04	01A	STEREO INPUT Pre-Amp
			DCB	10-08-04	01B	
			GHB	06-10-04	02A	
		ECNH295	DCB	11-10-04	02B	
		ECNH329	GHB	17-11-04	02C	

DRG NO. E0053A-02C SHT. 1 OF 2

DRG NO. E0053A-02C

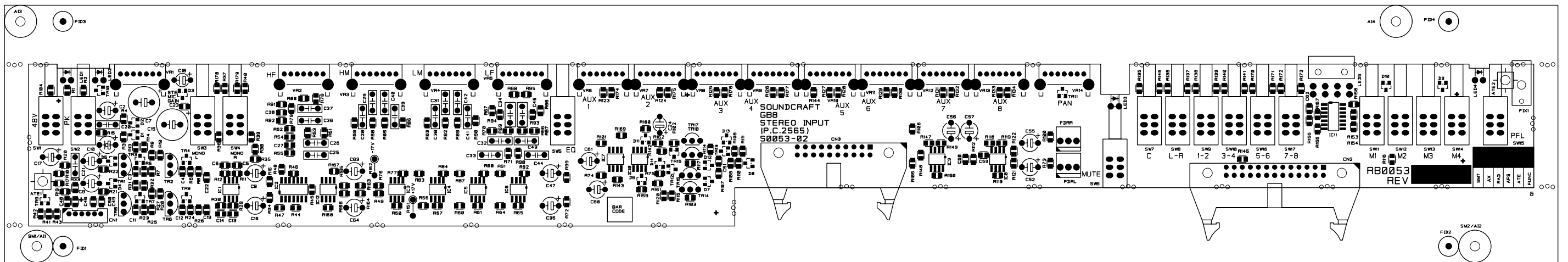


HARMAN INTERNATIONAL INDUSTRIES LTD. OWNS THE COPYRIGHT OF THIS DRAWING WHICH IS NOT TO BE COPIED, REPRODUCED OR DISCLOSED, IN PART OR WHOLE TO A THIRD PARTY WITHOUT PRIOR WRITTEN PERMISSION.

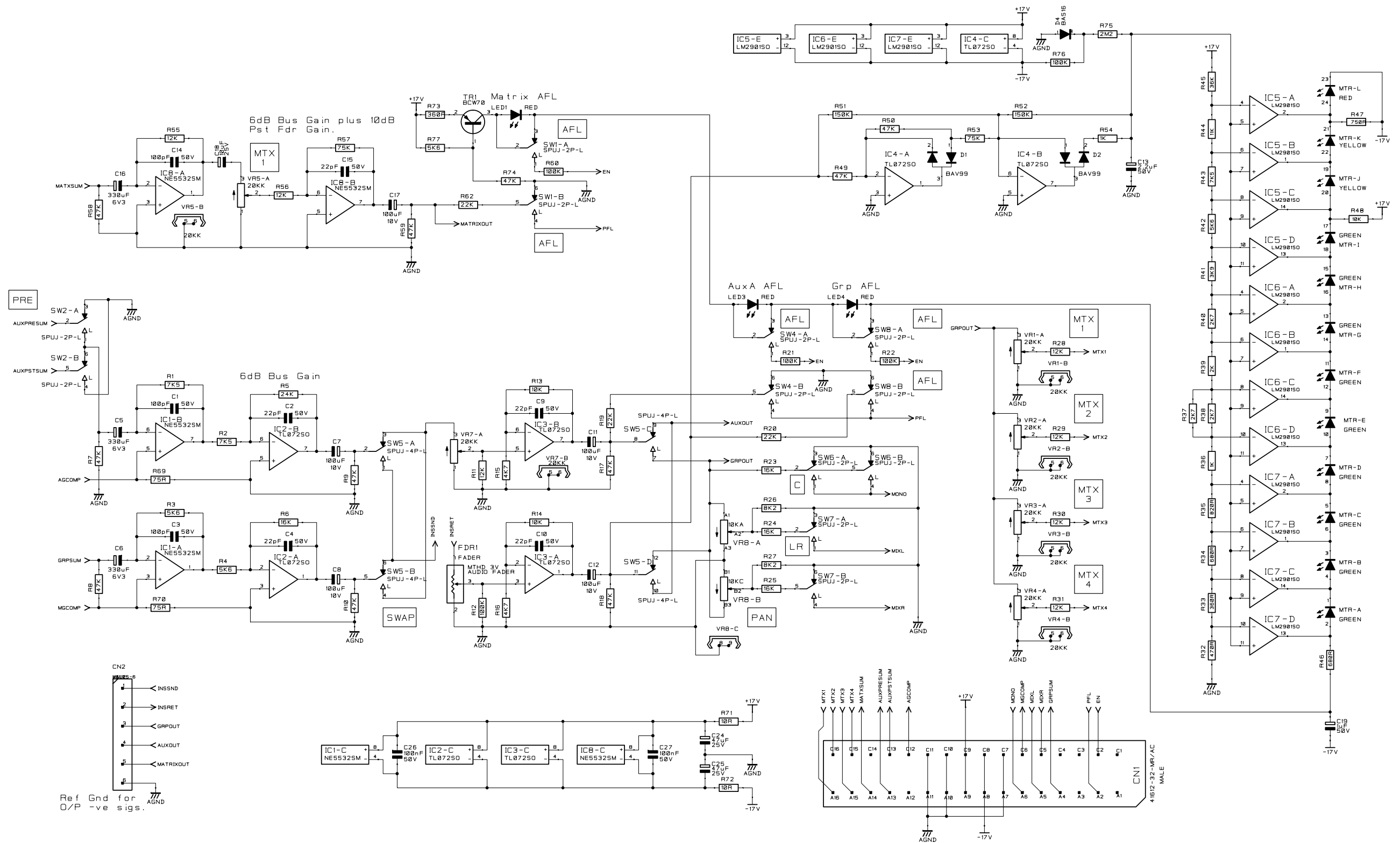
SOUNDCRAFT/BSS  
 HARMAN INT. INDUSTRIES LTD.  
 CRANBORNE HOUSE,  
 CRANBORNE ROAD,  
 POTTERS BAR,  
 HERTS. EN6 3JN.  
 TEL: 01707 665000  
 FAX: 01707 660482

NOTES:

DRN.	GHB	CN No.	INITIAL	DATE	ISSUE	TITLE
DATE	15-03-04		GHB	15-03-04	01A	GB8 STEREO INPUT EQ/AUX/ROUTING
			DCB	10-08-04	01B	
			GHB	06-10-04	02A	
			ECNH295	11-10-04	02B	
			ECNH329	17-11-04	02C	DRG NO. E0053A-02C
						SHT. 2 OF 2



GB8 STEREO INPUT PCB  
 06/09/04 (PROJECT CODE 2565)  
 S0053-02-SB



HARMAN INTERNATIONAL INDUSTRIES LTD. OWNS THE COPYRIGHT OF THIS DRAWING WHICH IS NOT TO BE COPIED, REPRODUCED OR DISCLOSED, IN PART OR WHOLE TO A THIRD PARTY WITHOUT PRIOR WRITTEN PERMISSION.

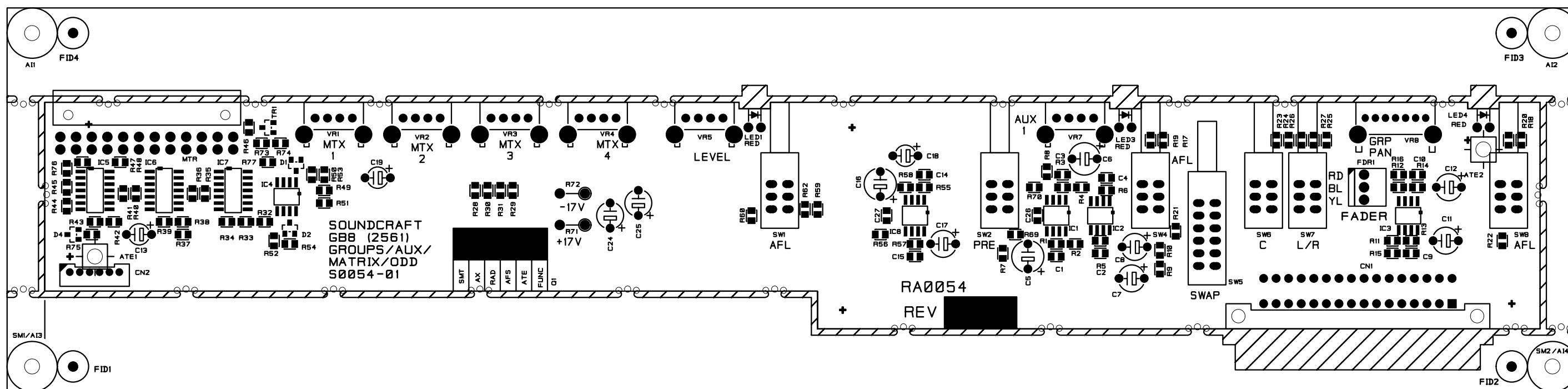
SOUNDCRAFT/BSS  
 HARMAN INT. INDUSTRIES LTD.  
 CRANBORNE HOUSE,  
 CRANBORNE ROAD,  
 POTTERS BAR,  
 HERTS. EN6 3JN.  
 TEL: 01707 665000  
 FAX: 01707 660482

NOTES:

DRN.	GHB	CN No.	INITIAL	DATE	ISSUE	TITLE
DATE	31-03-04	Pre-Prod	GHB	01/04/04	01A	GB8 (P.C.2565) Group/Aux/Matrix Output.

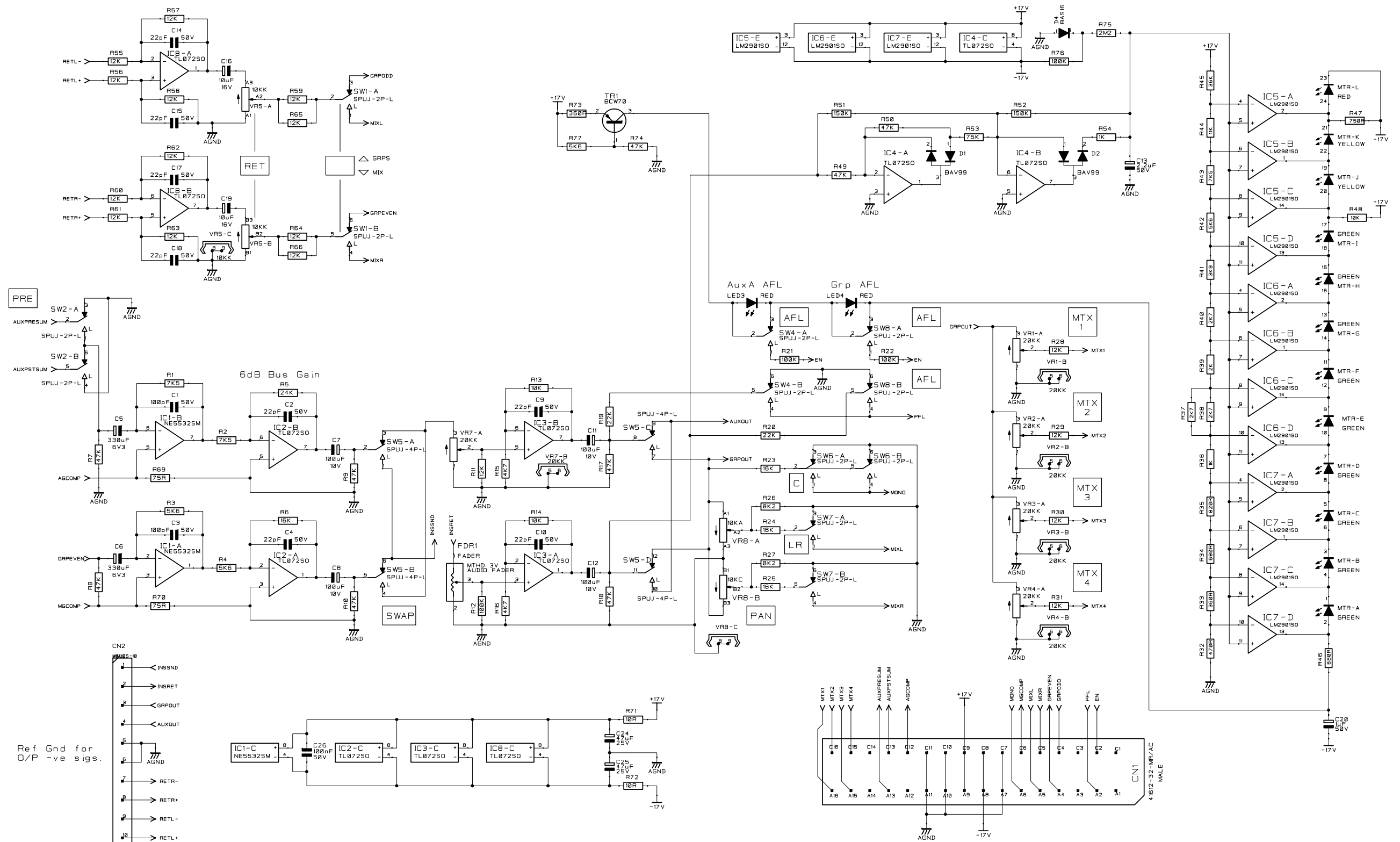
DRG NO. E0054A-01A  
 SHT. 1 OF 1





GB8 (PROJECT NO. 2565) 22/07/04  
 GROUPS/AUX/MTX/ODD.

S0054-01-SB



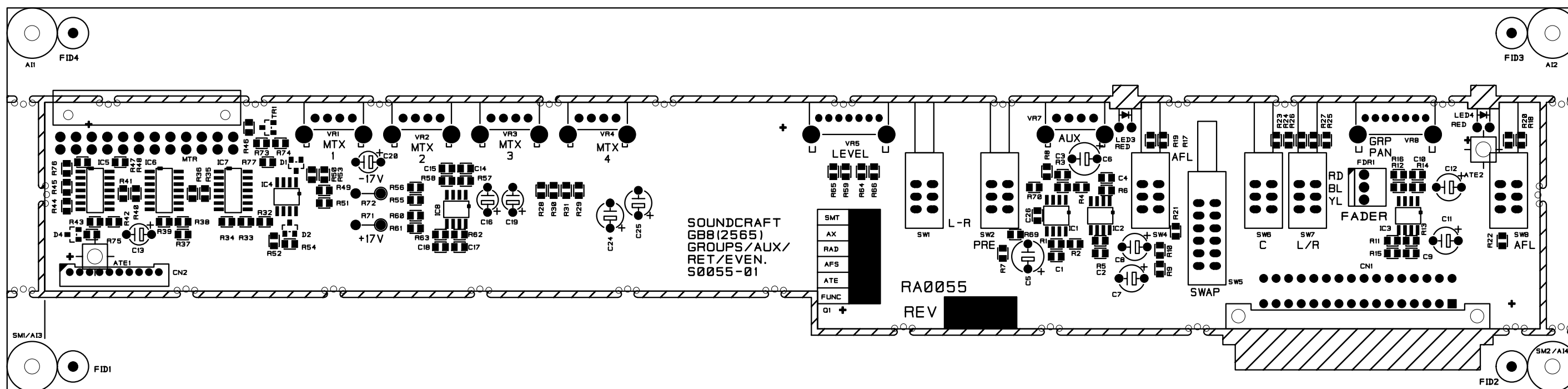
HARMAN INTERNATIONAL INDUSTRIES LTD. OWNS THE COPYRIGHT OF THIS DRAWING WHICH IS NOT TO BE COPIED, REPRODUCED OR DISCLOSED, IN PART OR WHOLE TO A THIRD PARTY WITHOUT PRIOR WRITTEN PERMISSION.

SOUNDCRAFT/BSS  
 HARMAN INT. INDUSTRIES LTD.  
 CRANBORNE HOUSE,  
 CRANBORNE ROAD,  
 POTTERS BAR,  
 HERTS. EN6 3JN.  
 TEL: 01707 665000  
 FAX: 01707 660482

NOTES:

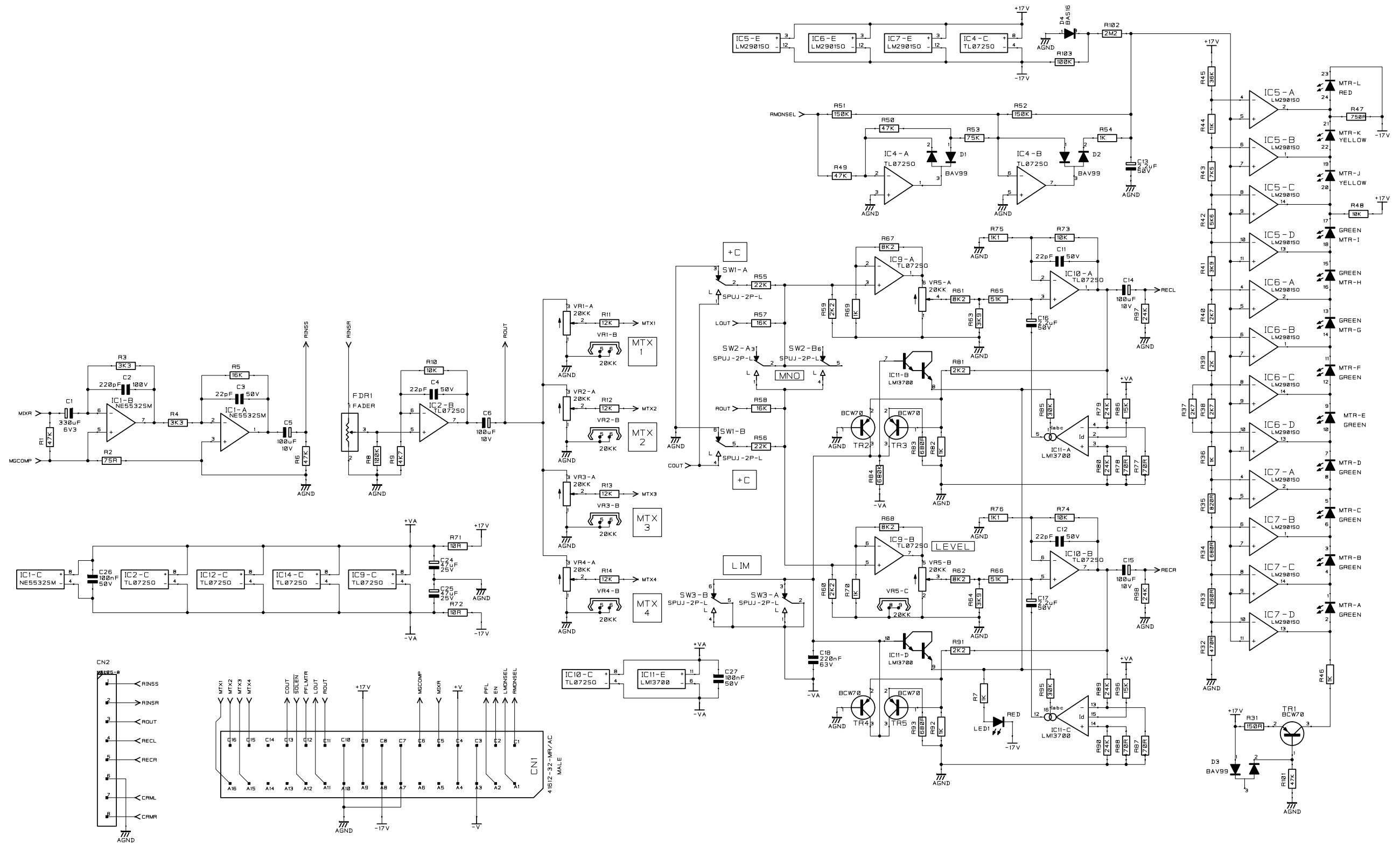
DRN.	GHB	CN No.	INITIAL	DATE	ISSUE
DATE	31-03-04	Pre-Prod	GHB	01/04/04	01A

TITLE  
 GB8 (P.C.2565)  
 Group/Aux/Return  
 Output.  
 DRG NO. E0055A-01A  
 SHT. 1 OF 1



GB8 (PROJECT NO. 2565) 22/07/04  
GROUPS/AUX/RET/EVEN.

S0055-01-SB

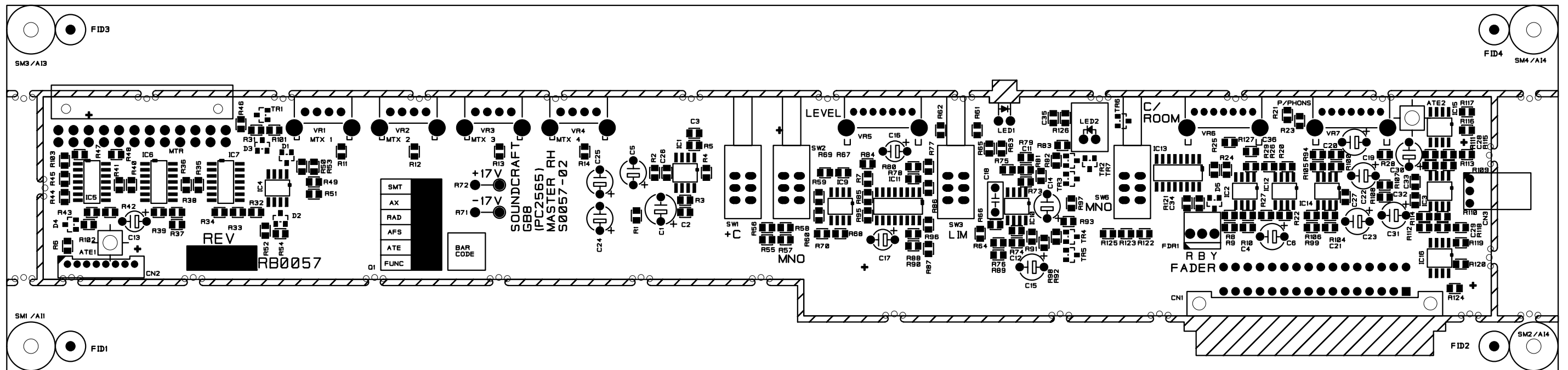


HARMAN INTERNATIONAL INDUSTRIES LTD. OWNS THE COPYRIGHT OF THIS DRAWING WHICH IS NOT TO BE COPIED, REPRODUCED OR DISCLOSED, IN PART OR WHOLE TO A THIRD PARTY WITHOUT PRIOR WRITTEN PERMISSION.

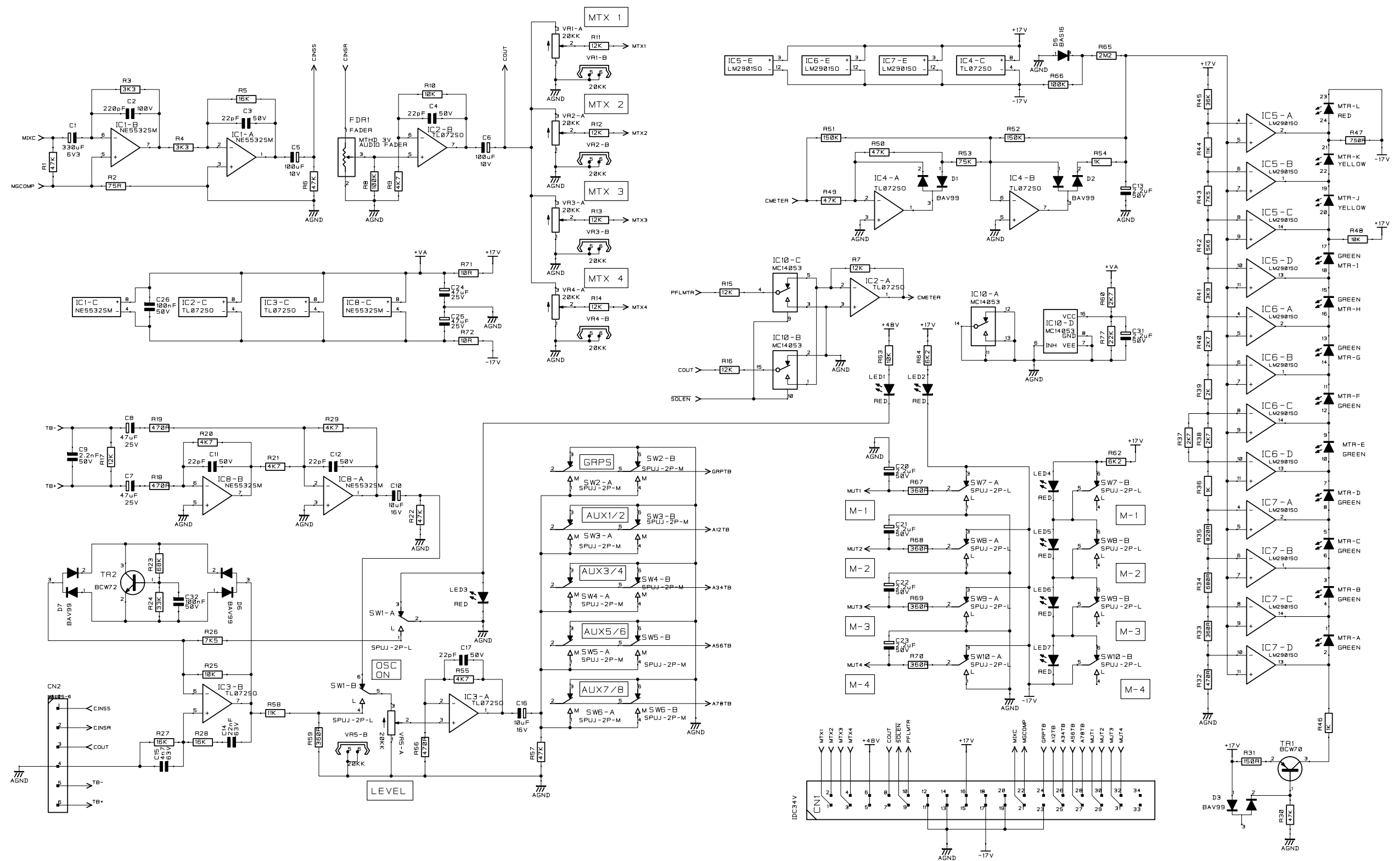
SOUNDCRAFT/BSS  
 HARMAN INT. INDUSTRIES LTD.  
 CRANBORNE HOUSE,  
 CRANBORNE ROAD,  
 POTTERS BAR,  
 HERTS. EN6 3JN.  
 TEL: 01707 665000  
 FAX: 01707 660482

NOTES:

DRN.	GHB	CN No.	INITIAL	DATE	ISSUE	TITLE
DATE	26-04-04		GHB	26-04-04	01A	GB8 (P.C.2565)
			ECNH295	13/09/04	02A	Right Hand Master
			ECNH334	25/11/04	02B	
					02C	



GB8      06/10/04  
 (P.C. 2565)  
 MASTER RIGHT HAND  
 S0057-02-SB



HARMAN INTERNATIONAL INDUSTRIES LTD. OWNS THE COPYRIGHT OF THIS DRAWING WHICH IS NOT TO BE COPIED, REPRODUCED OR DISCLOSED, IN PART OR WHOLE TO A THIRD PARTY WITHOUT PRIOR WRITTEN PERMISSION.

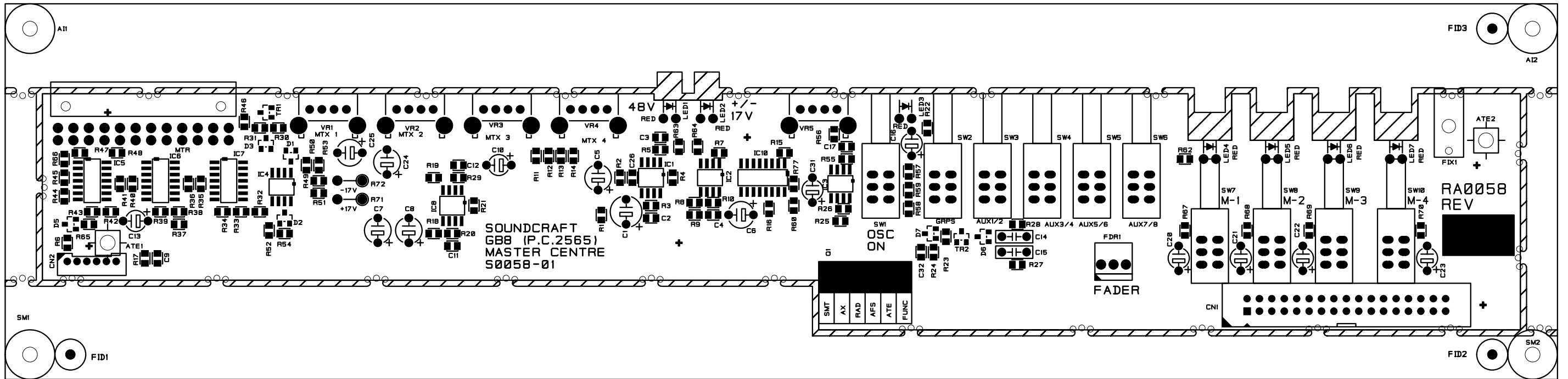
SOUNDCRAFT/BSS  
 HARMAN INT. INDUSTRIES LTD.  
 CRANBORNE HOUSE,  
 CRANBORNE ROAD,  
 POTTERS BAR,  
 HERTS. EN6 3JN.  
 TEL: 01707 665000  
 FAX: 01707 660482

NOTES:

DRN.	GHB	CN No.	INITIAL	DATE	ISSUE
DATE	29-04-04	ECNS334	GHB	10/05/04	01A
			GHB	13/09/04	01B
			DCB	25/11/04	01C

TITLE  
 GB8 (P.C.2565)  
 Centre Master

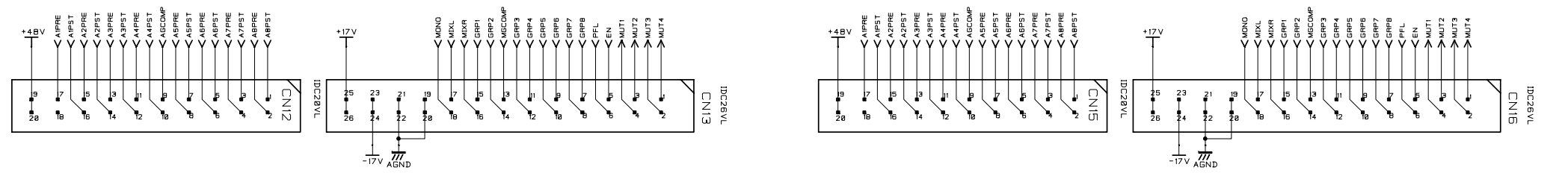
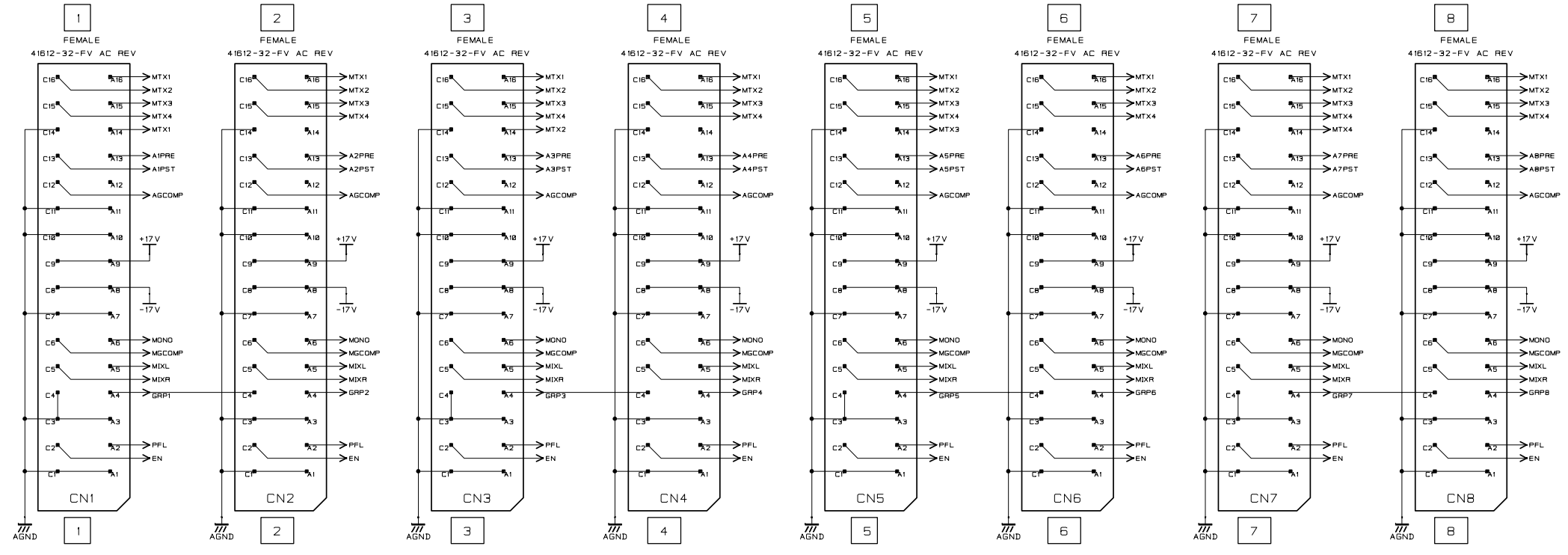
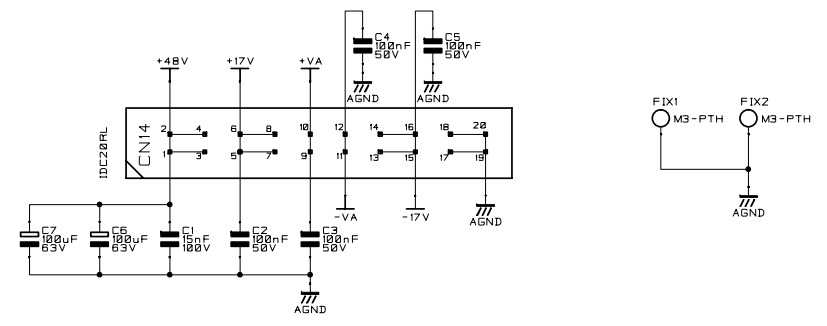
DRG NO. E0058A-01C



GB8 23/07/04  
 MASTER CENTRE

(PROJECT CODE 2565)  
 S0058-01-SB

DRG NO. E0059A-02A



HARMAN INTERNATIONAL INDUSTRIES LTD. OWNS THE COPYRIGHT OF THIS DRAWING WHICH IS NOT TO BE COPIED, REPRODUCED OR DISCLOSED, IN PART OR WHOLE TO A THIRD PARTY WITHOUT PRIOR WRITTEN PERMISSION.

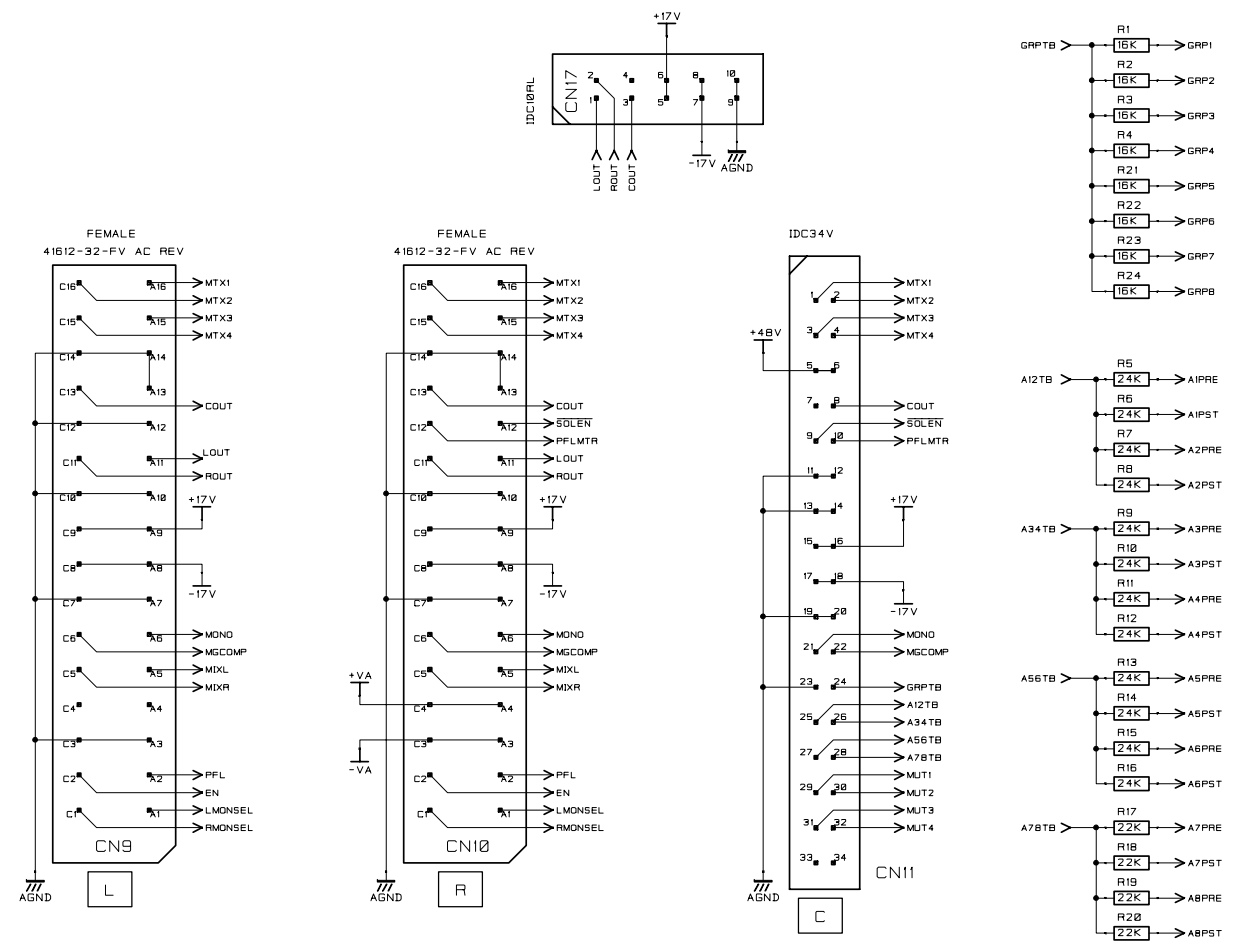
SOUNDCRAFT/BSS  
HARMAN INT. INDUSTRIES LTD.  
CRANBORNE HOUSE,  
CRANBORNE ROAD,  
POTTERS BAR,  
HERTS. EN6 3JN.  
TEL: 01707 665000  
FAX: 01707 660482

NOTES:

DRN.	GHB	CN No.	INITIAL	DATE	ISSUE	TITLE
DATE	29-04-04		GHB	10/05/04	01A	GB8 (P.C.2565) OUTPUT MOTHER BOARD
			GHB	03/10/04	02A	

DRG NO. E0059A-02A SHT. 1 OF 2





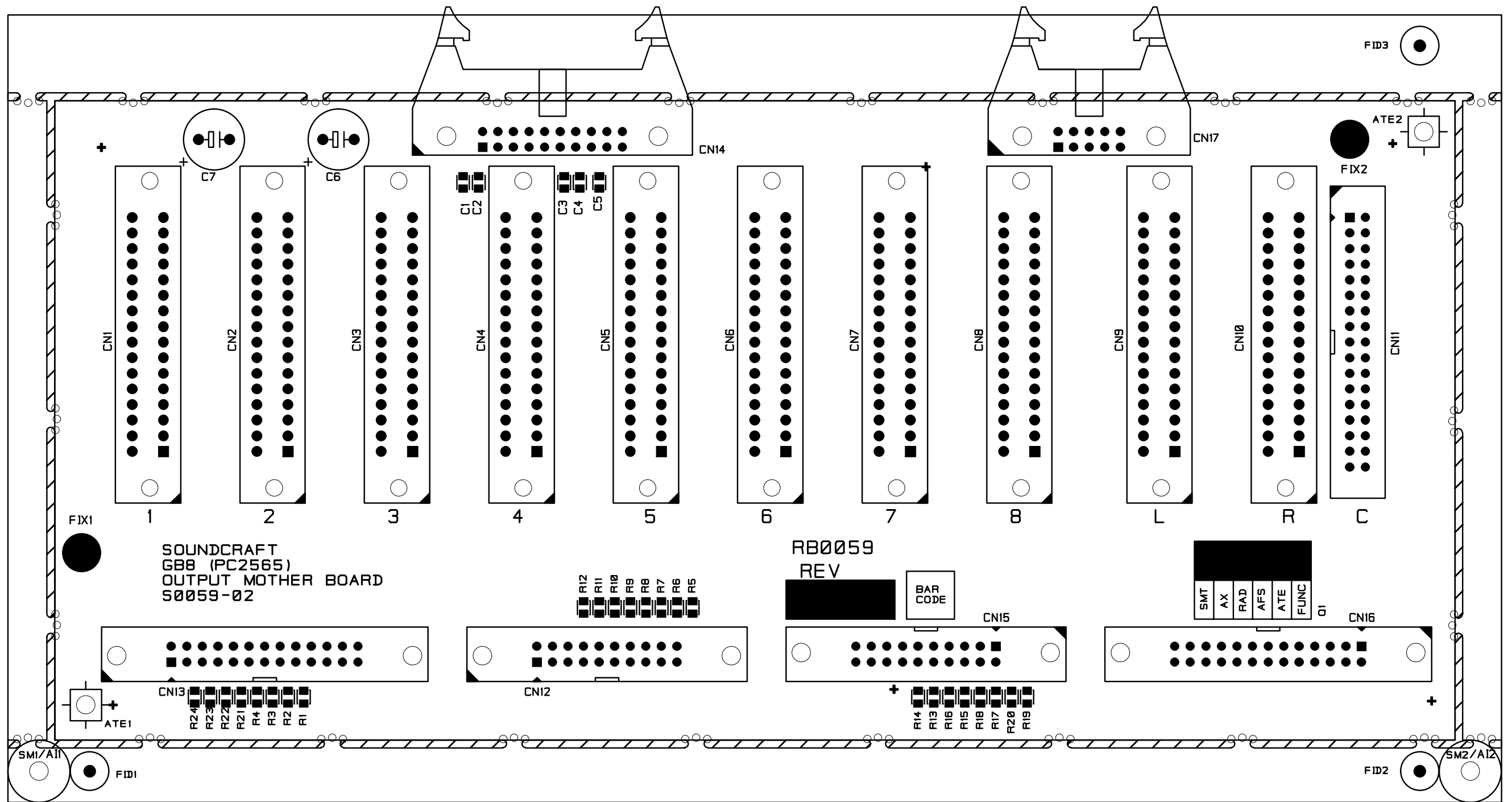
HARMAN INTERNATIONAL INDUSTRIES LTD. OWNS THE COPYRIGHT OF THIS DRAWING WHICH IS NOT TO BE COPIED, REPRODUCED OR DISCLOSED, IN PART OR WHOLE TO A THIRD PARTY WITHOUT PRIOR WRITTEN PERMISSION.

SOUNDCRAFT/BSS  
 HARMAN INT. INDUSTRIES LTD.  
 CRANBORNE HOUSE,  
 CRANBORNE ROAD,  
 POTTERS BAR,  
 HERTS. EN6 3JN.  
 TEL: 01707 665000  
 FAX: 01707 660482

NOTES:

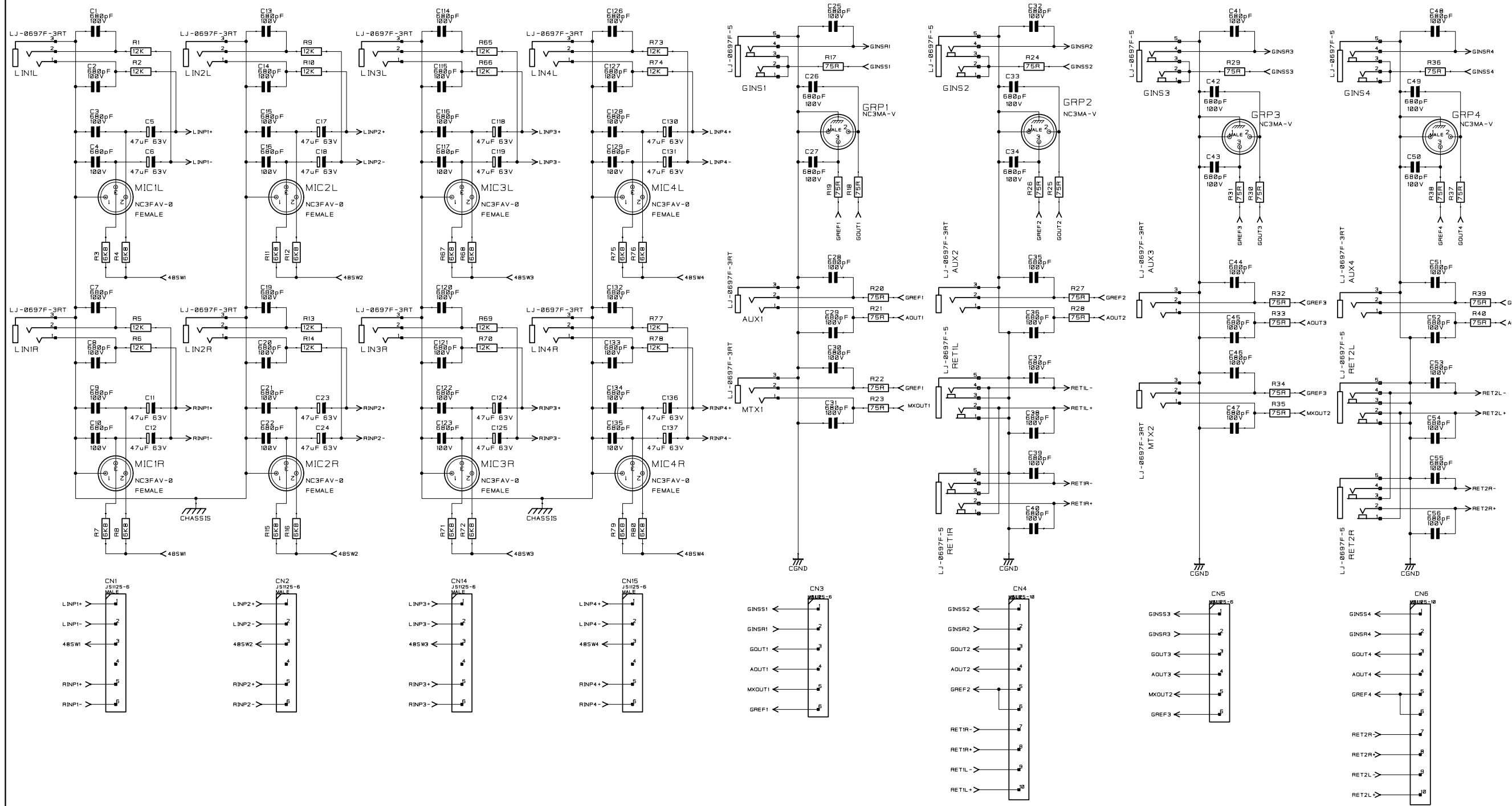
DRN.	GHB	CN No.	INITIAL	DATE	ISSUE
DATE	29-04-04				

TITLE	GB8 (P.C.2565) OUTPUT MOTHER BOARD
DRG NO.	E0059A-02A
SHT.	2 OF 2



GB8 07/10/04  
 OUTPUT MOTHER BOARD  
 (P.C.2565)

S0059-02-SB



SOUNDCRAFT OWN THE COPYRIGHT OF THIS DRAWING WHICH IS NOT TO BE COPIED, REPRODUCED OR DISCLOSED, IN PART OR WHOLE TO A THIRD PARTY WITHOUT PRIOR WRITTEN PERMISSION.

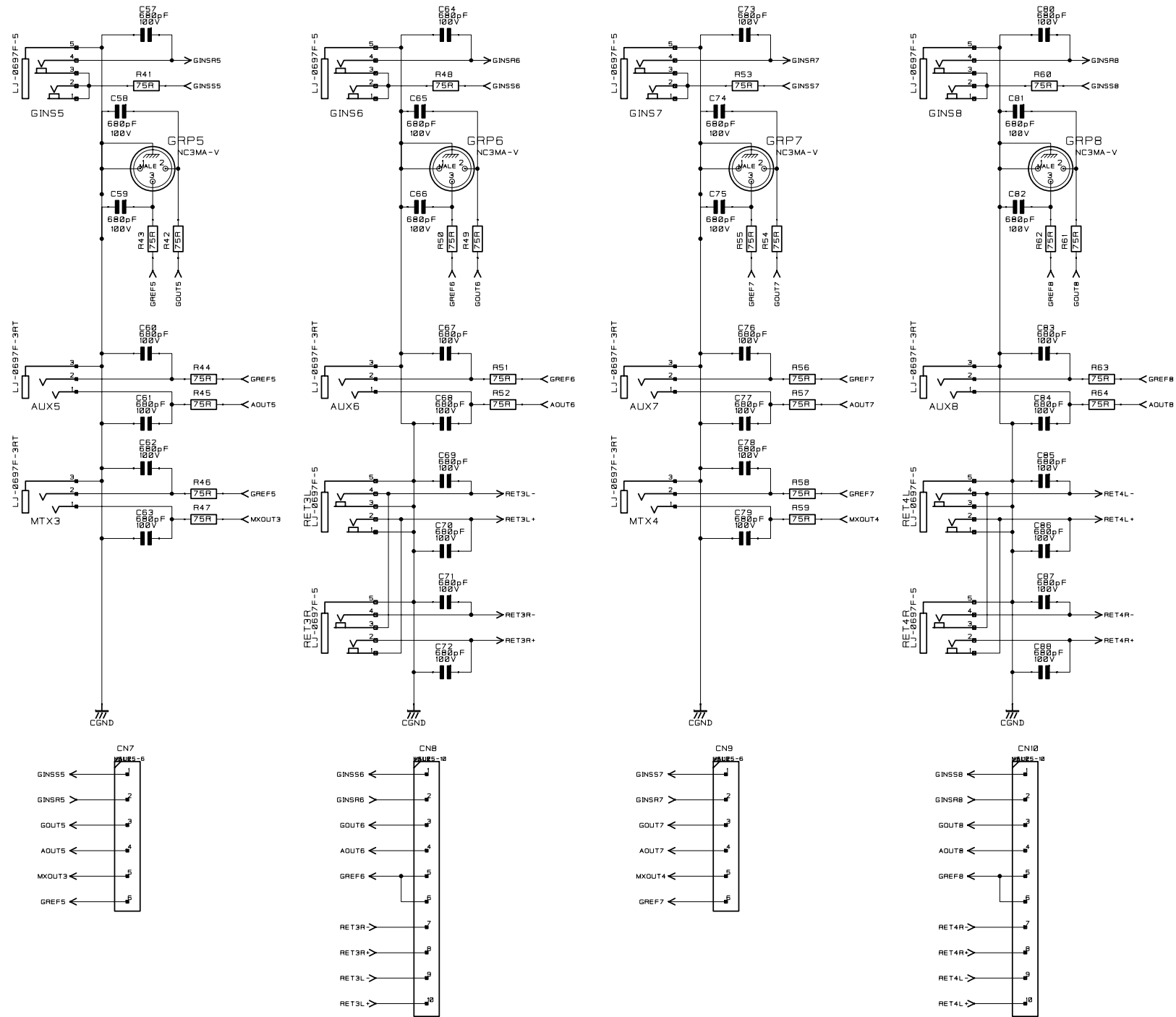
SOUNDCRAFT  
HARMAN INT. INDUSTRIES LTD.  
CRANBORNE HOUSE,  
CRANBORNE ROAD,  
POTTERS BAR,  
HERTS. EN6 3JN.  
TEL: 01707 665000  
FAX: 01707 660482

NOTES

DRN. GHB  
DATE 05-05-04  
MASTER IF RED

DRN.	CN No.	INITIAL	DATE	ISSUE	TITLE
GHB		GHB	13/05/04	01A	GB8 (P.C.2565) OUTPUT REAR CON STEREOS/GROUPS 1-4
		GHB	19/08/04	02A	

DRG NO. E0060A-02A SHT. 1 OF 3

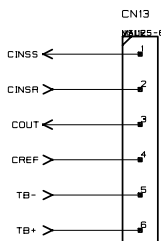
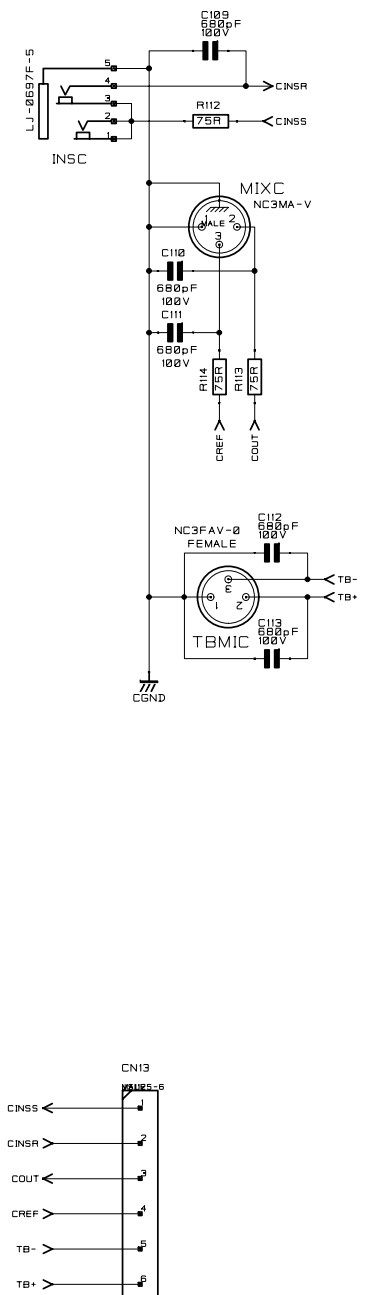
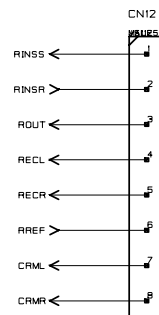
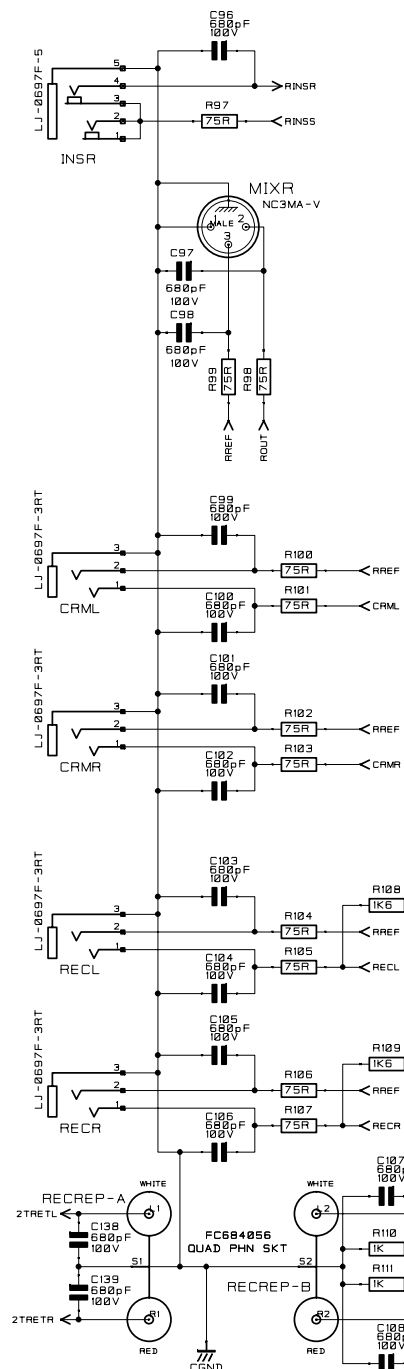
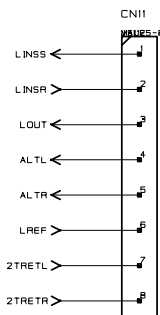
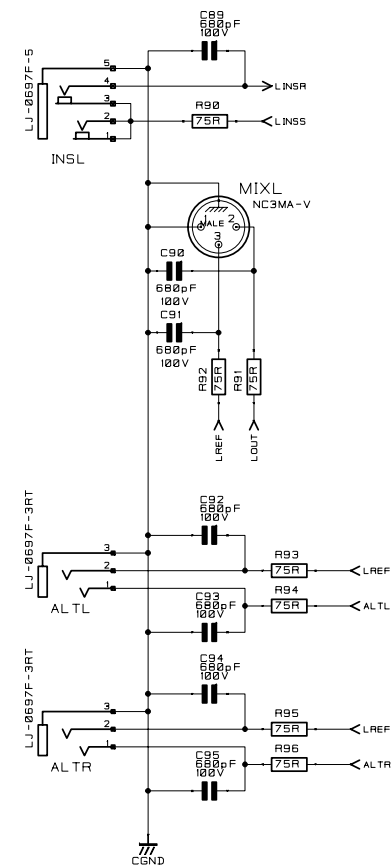


SOUNDCRAFT OWN THE COPYRIGHT OF THIS DRAWING WHICH IS NOT TO BE COPIED, REPRODUCED OR DISCLOSED, IN PART OR WHOLE TO A THIRD PARTY WITHOUT PRIOR WRITTEN PERMISSION.

SOUNDCRAFT  
HARMAN INT. INDUSTRIES LTD.  
CRANBORNE HOUSE,  
CRANBORNE ROAD,  
POTTERS BAR,  
HERTS. EN6 3JN.  
TEL: 01707 665000  
FAX: 01707 660482

NOTES

DRN.	GHB	CN No.	INITIAL	DATE	ISSUE	TITLE GB8 (P.C.2565) OUTPUT REAR CON GROUPS 5-8
DATE	05-05-04		GHB	13/05/04	01A	
MASTER IF RED			GHB	19/08/04	02A	
DRG NO. E0060A-02A						SHT. 2 OF 3



SOUNDCRAFT OWN THE COPYRIGHT OF THIS DRAWING WHICH IS NOT TO BE COPIED, REPRODUCED OR DISCLOSED, IN PART OR WHOLE TO A THIRD PARTY WITHOUT PRIOR WRITTEN PERMISSION.

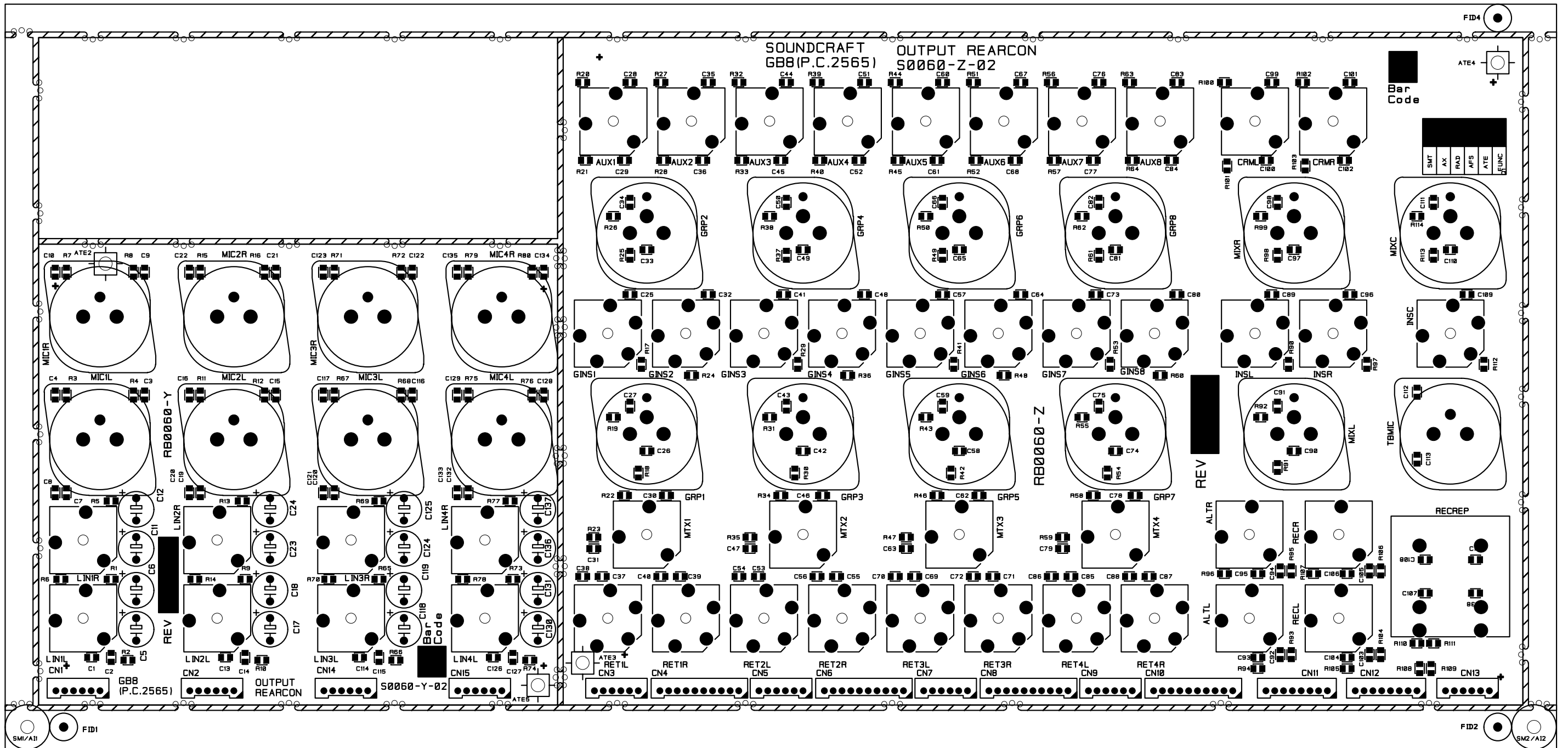
SOUNDCRAFT  
HARMAN INT. INDUSTRIES LTD.  
CRANBORNE HOUSE,  
CRANBORNE ROAD,  
POTTERS BAR,  
HERTS. EN6 3JN.  
TEL: 01707 665000  
FAX: 01707 660482

NOTES

DRN. GHB  
DATE 05-05-04  
MASTER IF RED

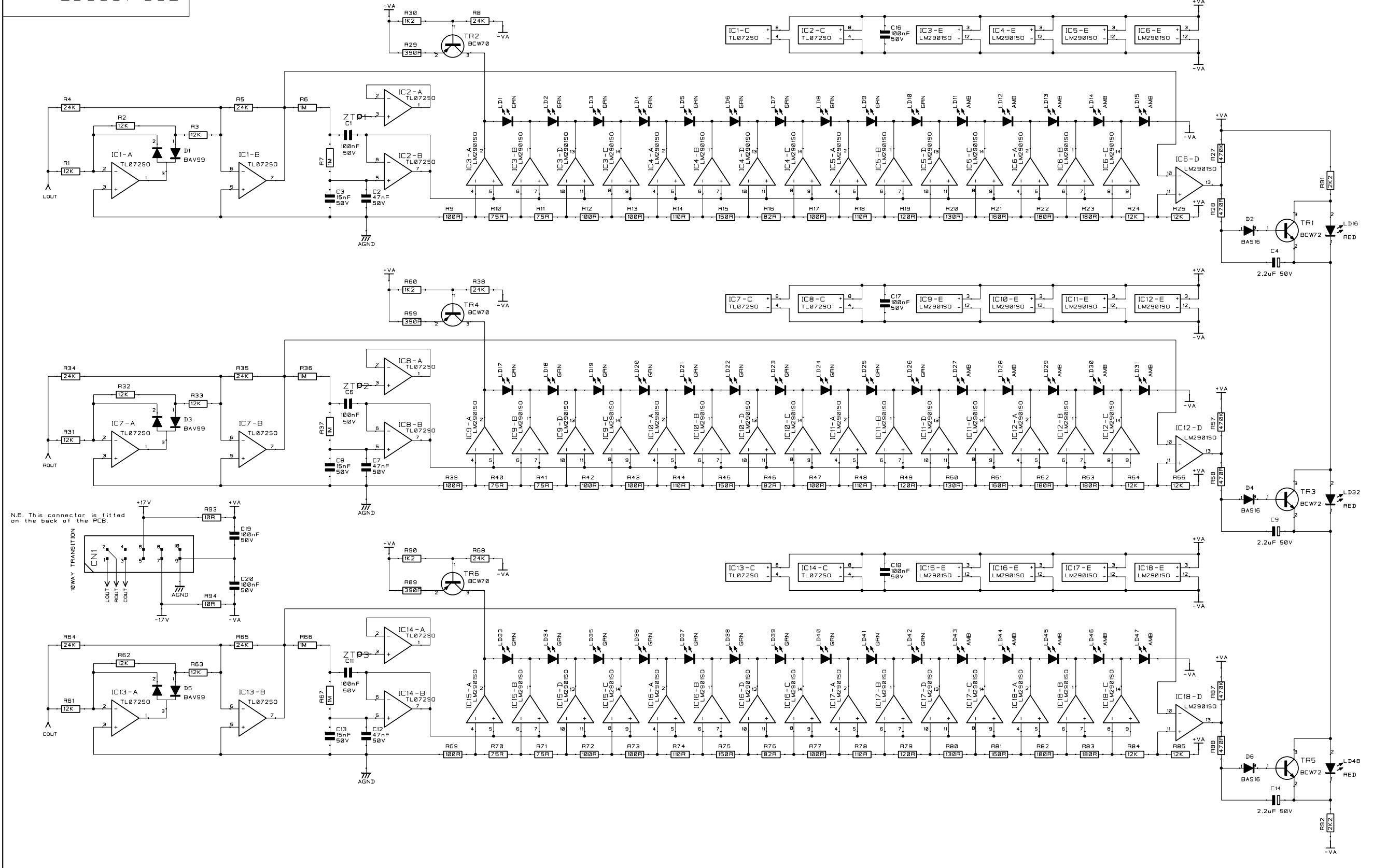
CN No.	INITIAL	DATE	ISSUE
	GHB	13/05/04	01A
	GHB	19/08/04	02A

TITLE  
GB8 (P.C.2565)  
OUTPUT REAR CON  
LEFT/RIGHT/CENTRE  
DRG NO. E0060A-02A SHT.3 OF 3



GB8 19/08/04  
 OUTPUT REARCON BOARD  
 (PROJECT CODE 2565)

S0060-02-SB



N.B. This connector is fitted on the back of the PCB.

SOUNDCRAFT OWN THE COPYRIGHT OF THIS DRAWING WHICH IS NOT TO BE COPIED, REPRODUCED OR DISCLOSED, IN PART OR WHOLE TO A THIRD PARTY WITHOUT PRIOR WRITTEN PERMISSION.

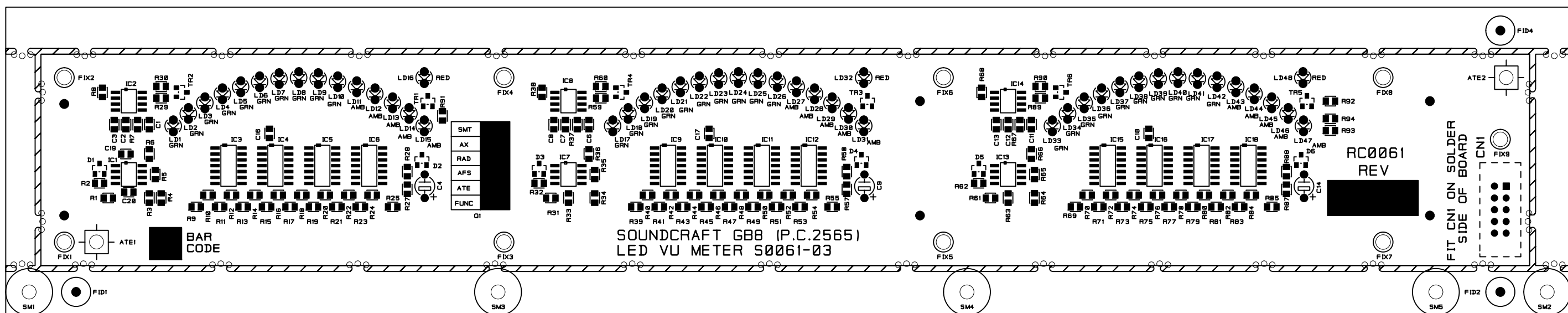
SOUNDCRAFT  
HARMAN INT. INDUSTRIES LTD.  
CRANBORNE HOUSE,  
CRANBORNE ROAD,  
POTTERS BAR,  
HERTS. EN6 3JN.  
TEL: 01707 665000  
FAX: 01707 660482

NOTES

DRN.	GHB
DATE	02-06-04
MASTER IF RED	

CN No.	INITIAL	DATE	ISSUE	TITLE
----	GHB	02-06-04	01A	GB-8 Led VU Meter PCB
----	GHB	12-08-04	02A	
----	GHB	14-09-04	03A	
----	DCB	06-10-04	03B	

DRG NO.	ED0061-03B	SHT. 1 OF 1
---------	------------	-------------



GBB 14/09/04  
LED VU METER (PROJECT CODE 2565)  
S0061-03-SB