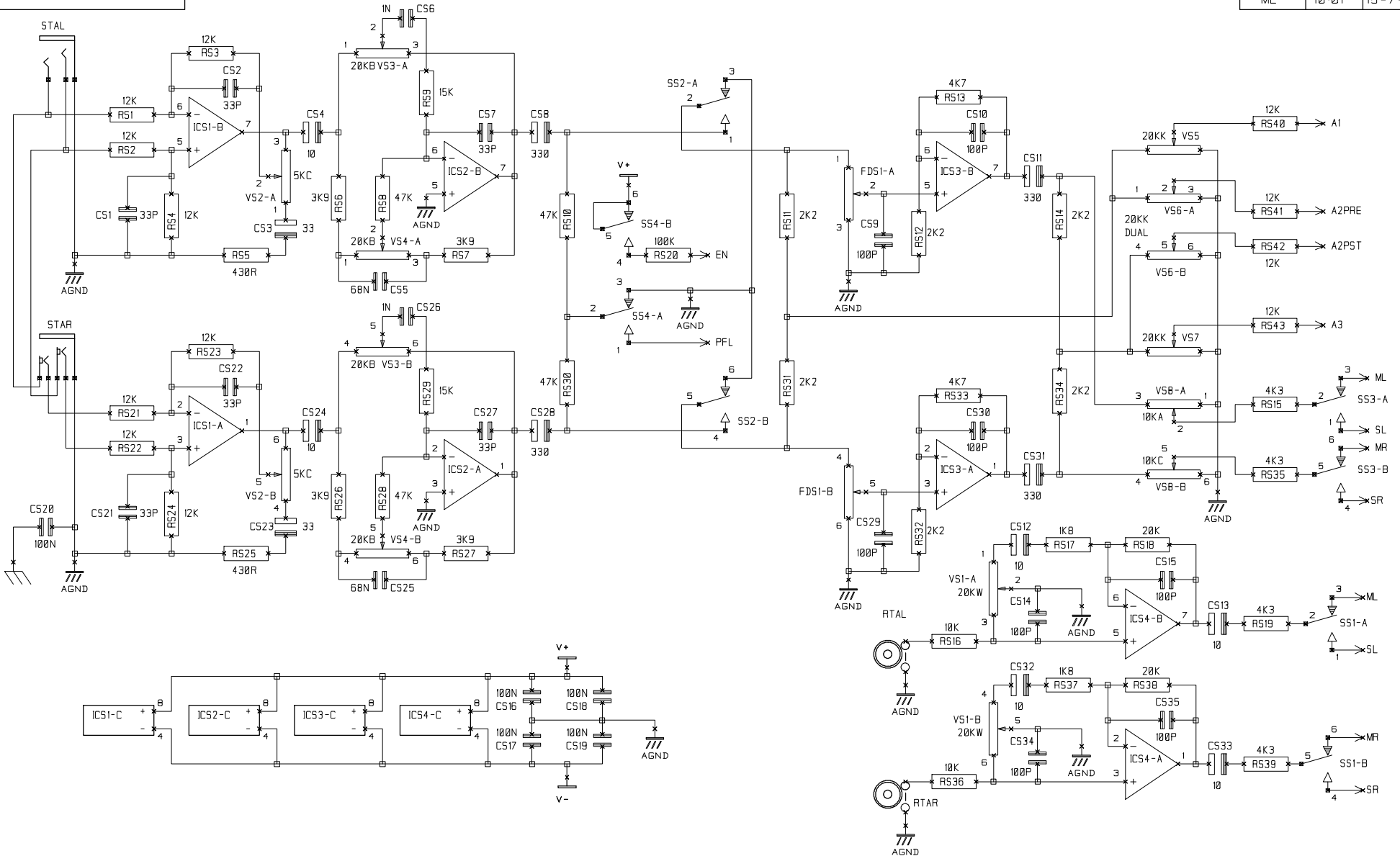


CHANNELS A AND B

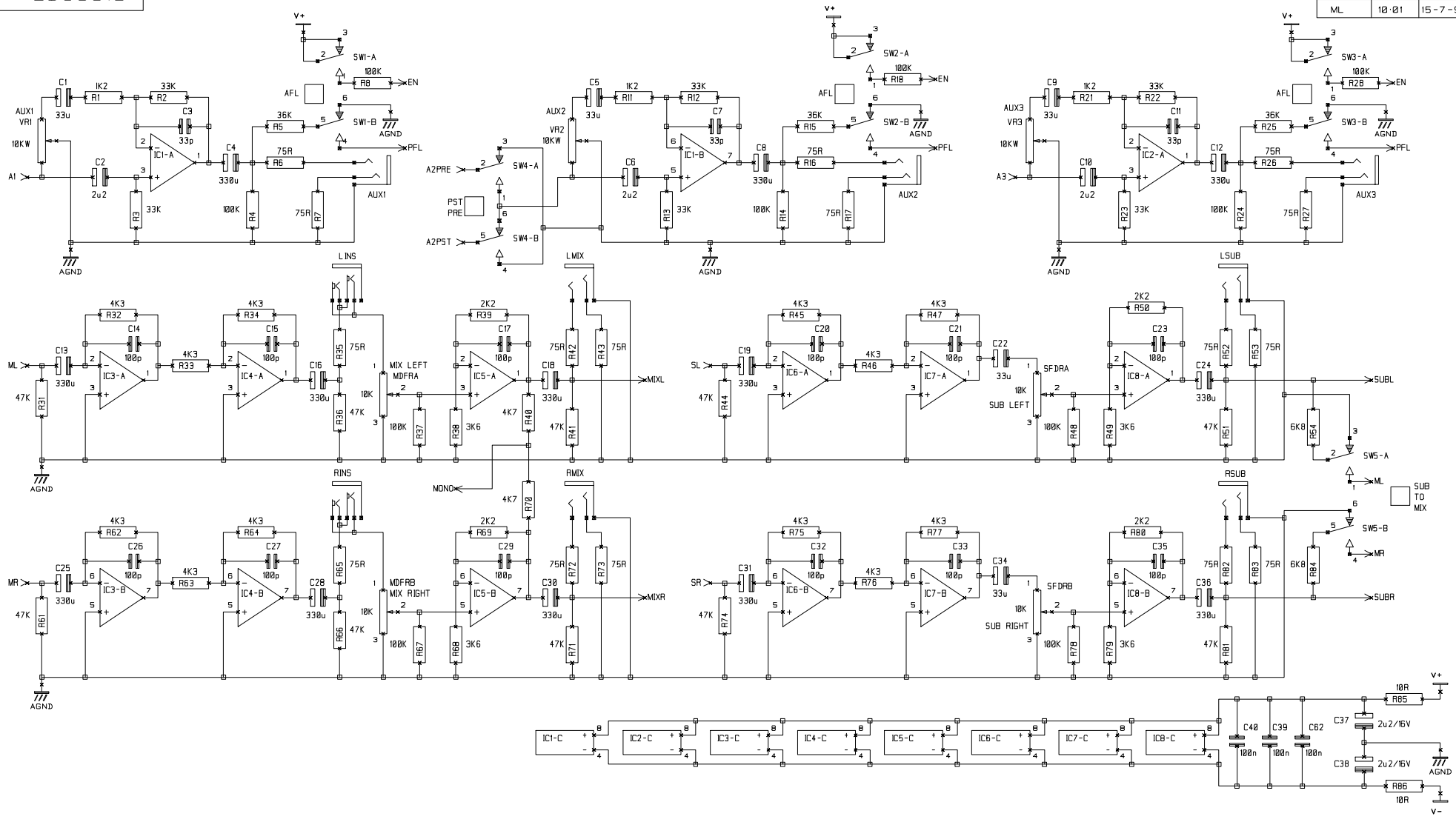
NOTES
 (1) MONO INPUT CHANNELS C TO L STEP AND REPEATED.
 (2) CA6 NOT FITTED - ALSO CC6,CE6 AND CG6 ARE NOT FITTED ON STEP AND REPEATED CHANNELS.

NOTES

DRN.	GHB	TITLE	FOLIO SX MONO INPUT
		DRG NO.	ED 3681A
		SHT.	1 OF 5



NOTES
 (1) STEREO INPUT CHANNEL B STEP AND REPEATED.

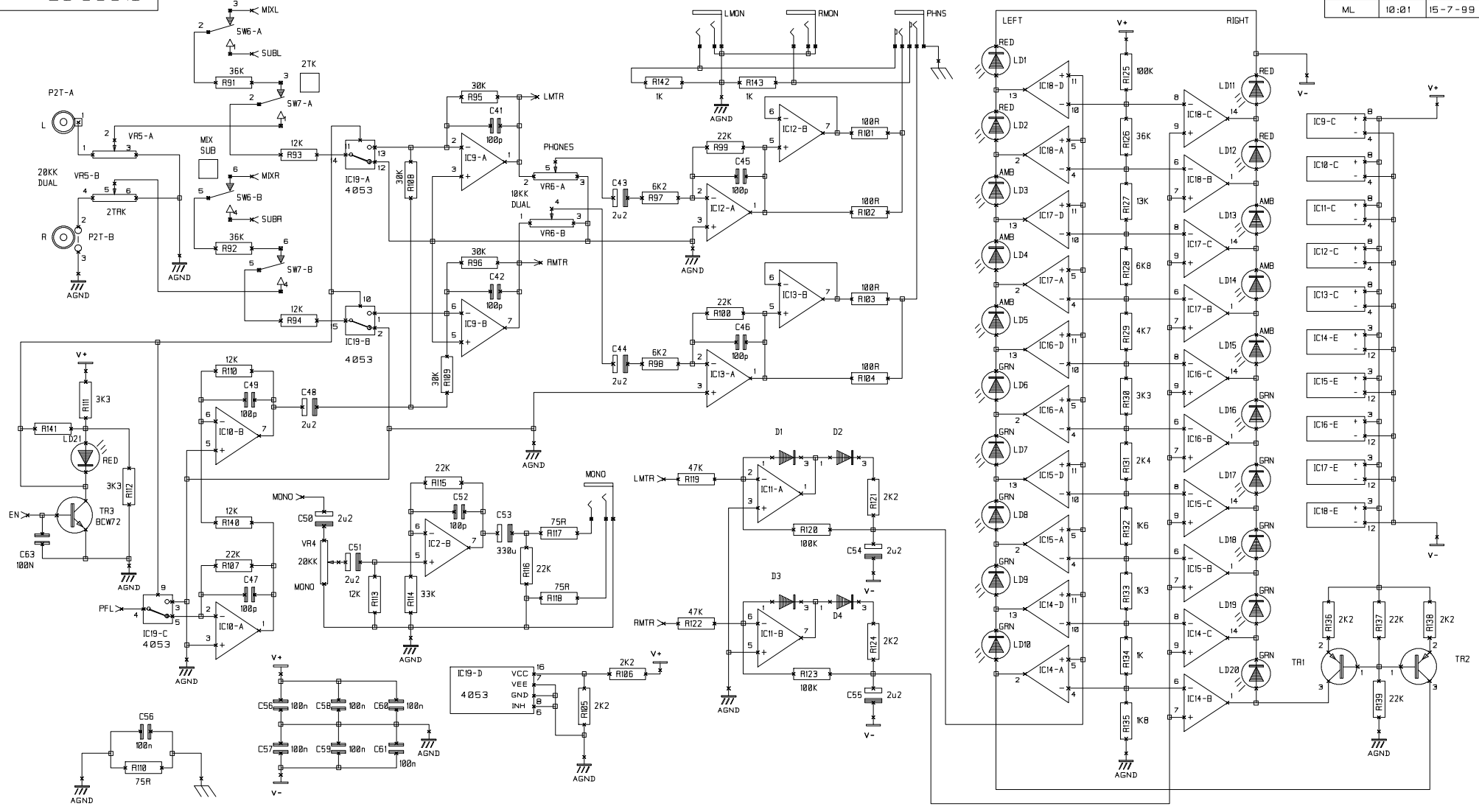


NOTES

DRN.	GHB	TITLE	FOLIO SX MASTER SECTION A
		DRG NO	ED3681C

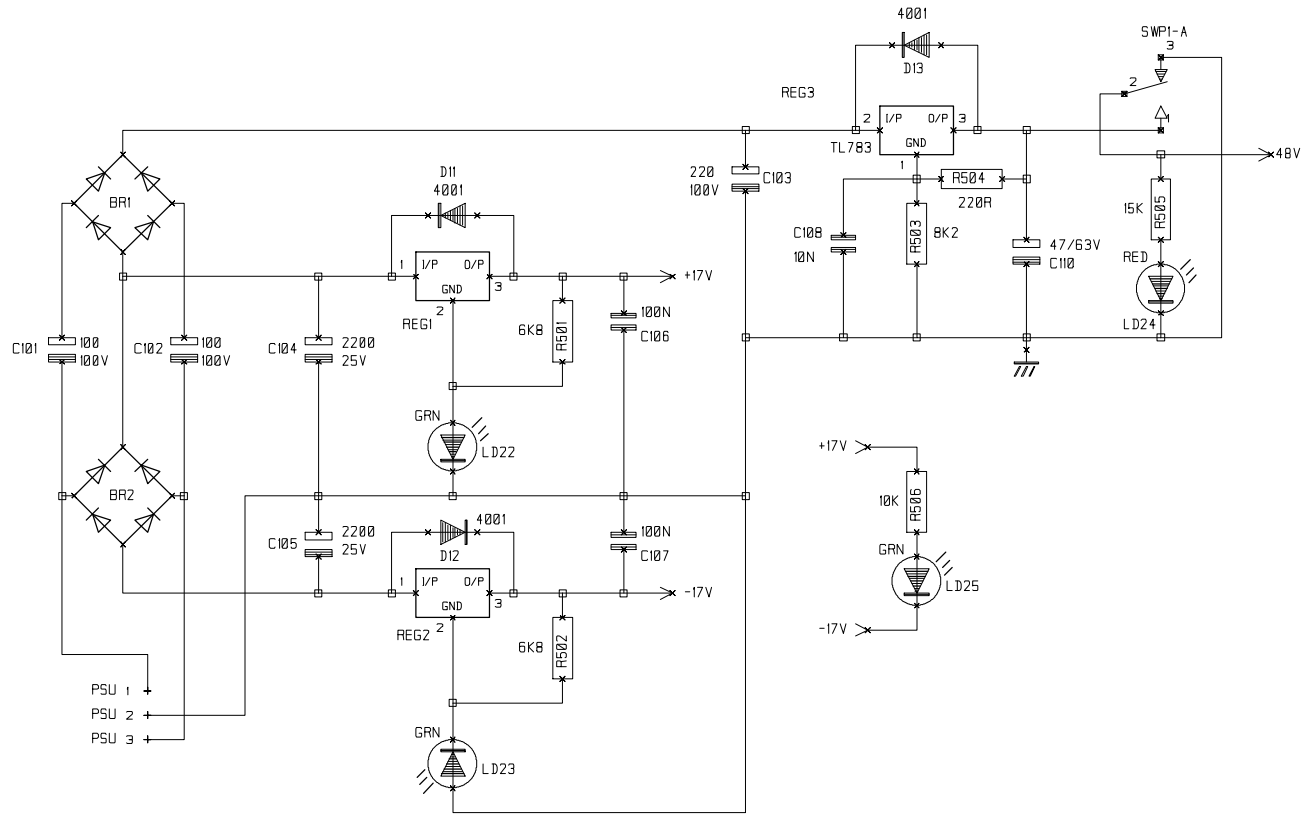
DRG NO ED 3681D

INITIAL	ISSUE	DATE
ML	10:01	15-7-99



NOTES

DRN.	GHB	TITLE	FOLIO SX MASTER SECTION B
		DRG NO	ED 3681D



NOTES

DRN
GHB

TITLE
FOLIO SX
PSU
DRG NO ED 3681E
SHT. 5 OF 5