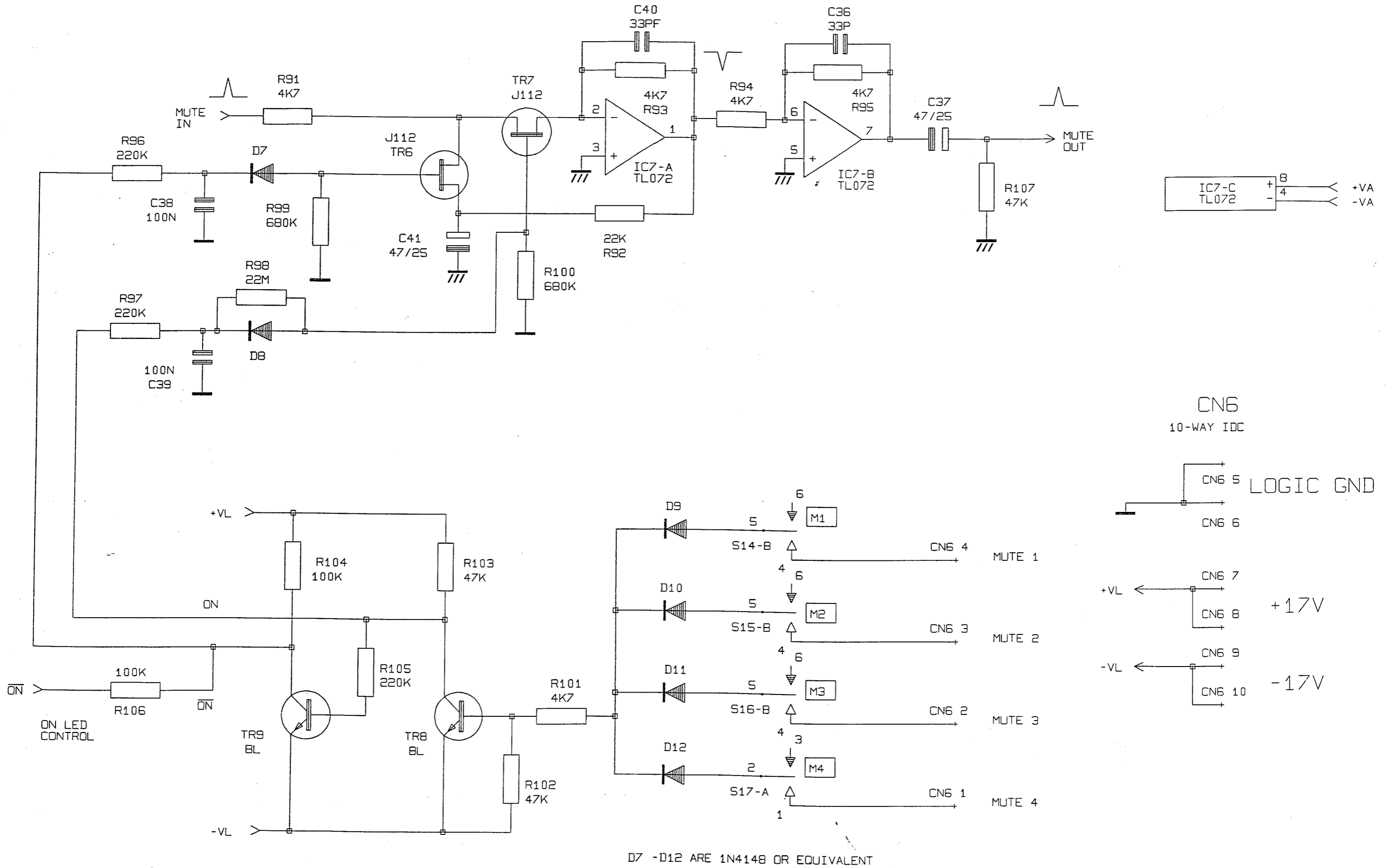
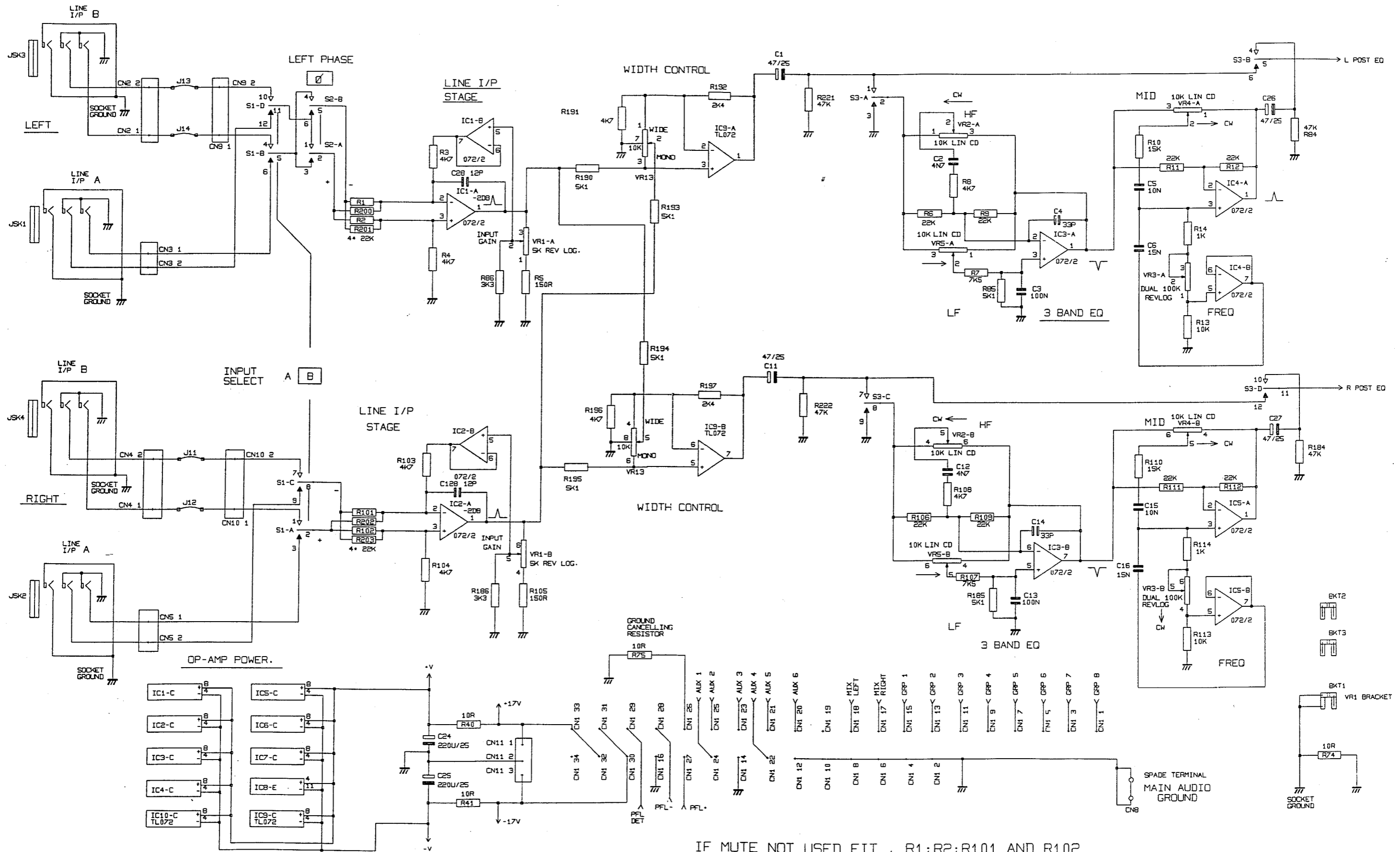


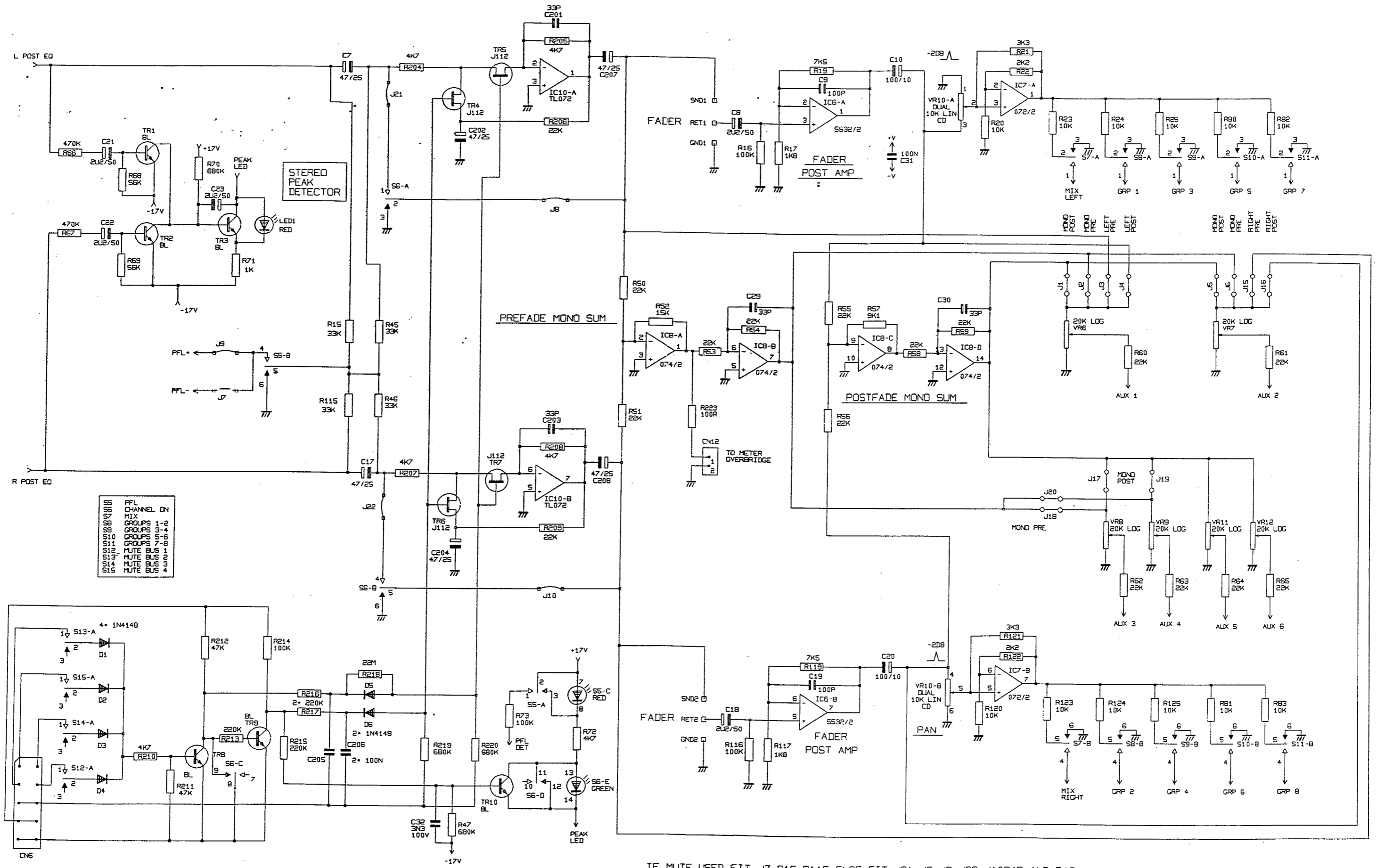
1. FIT LK65, LK68, LK70 FOR INSERT POST ED
FIT LK65, LK67, LK69 FOR INSERT PRE ED
LK65, LK68, LK70 (INSERT POST ED) FITTED AS STANDARD
2. FIT LK46 WHEN MUTE SYSTEM NOT USED
OMIT LK46, FIT TR3, R90 WHEN MUTE SYSTEM USED
3. J2, J5 FITTED AS STANDARD (AUX 1 & 2 PRE FADE)
J7, J9 FITTED AS STANDARD (AUX 3 & 4 POST FADE)





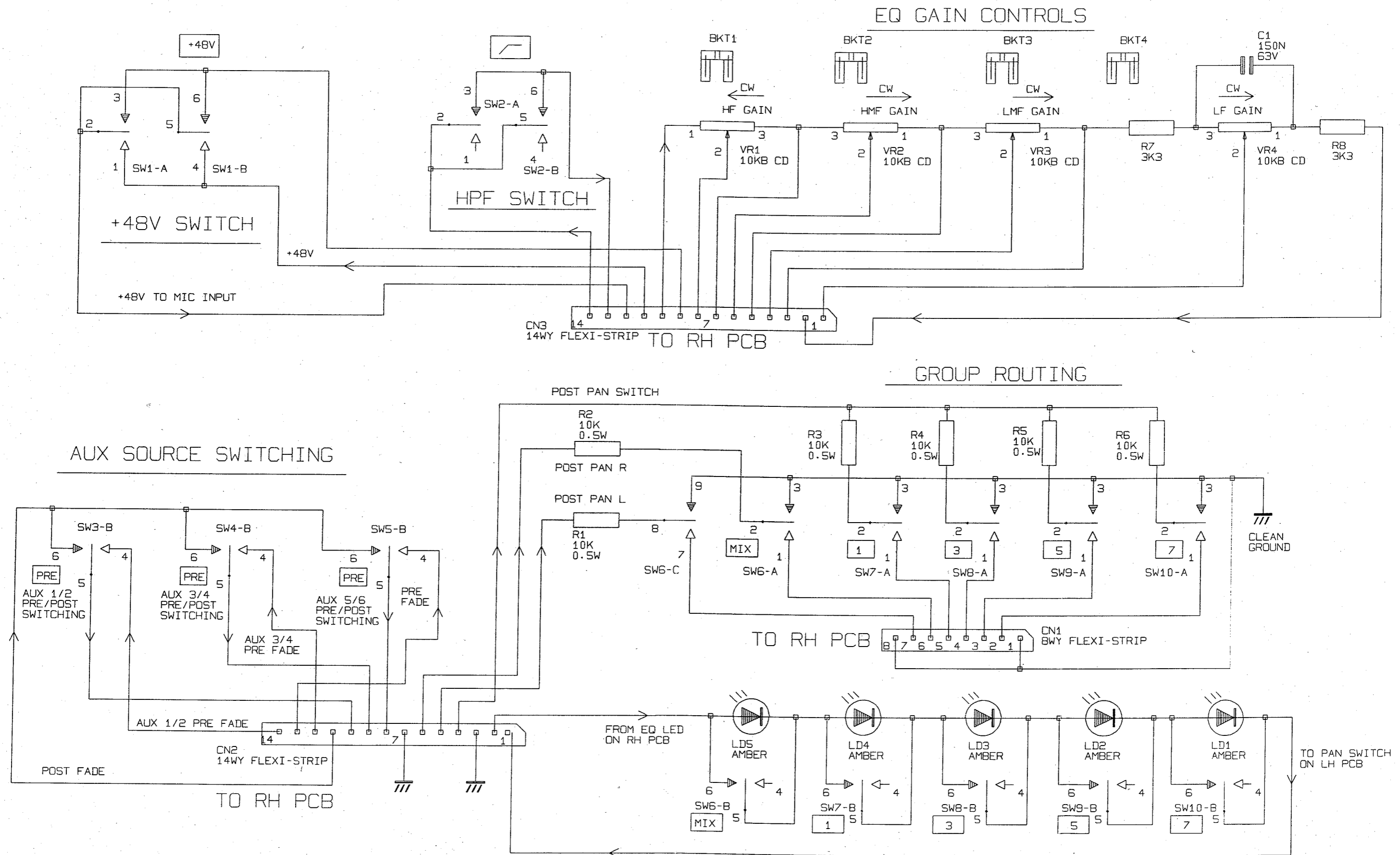


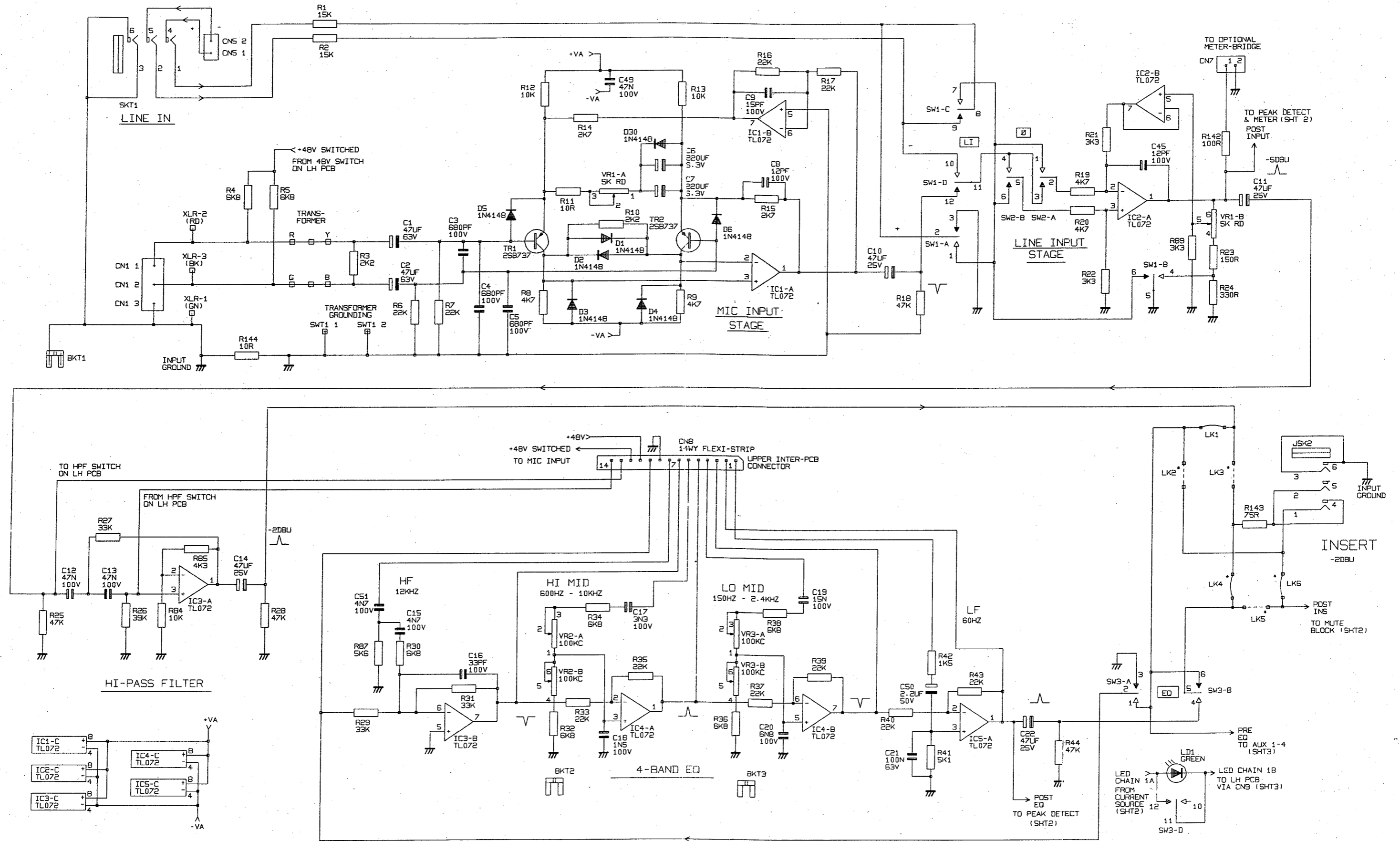
IF MUTE NOT USED FIT R1;R2;R101 AND R102
ELSE FIT R200;R201;R202 AND R203

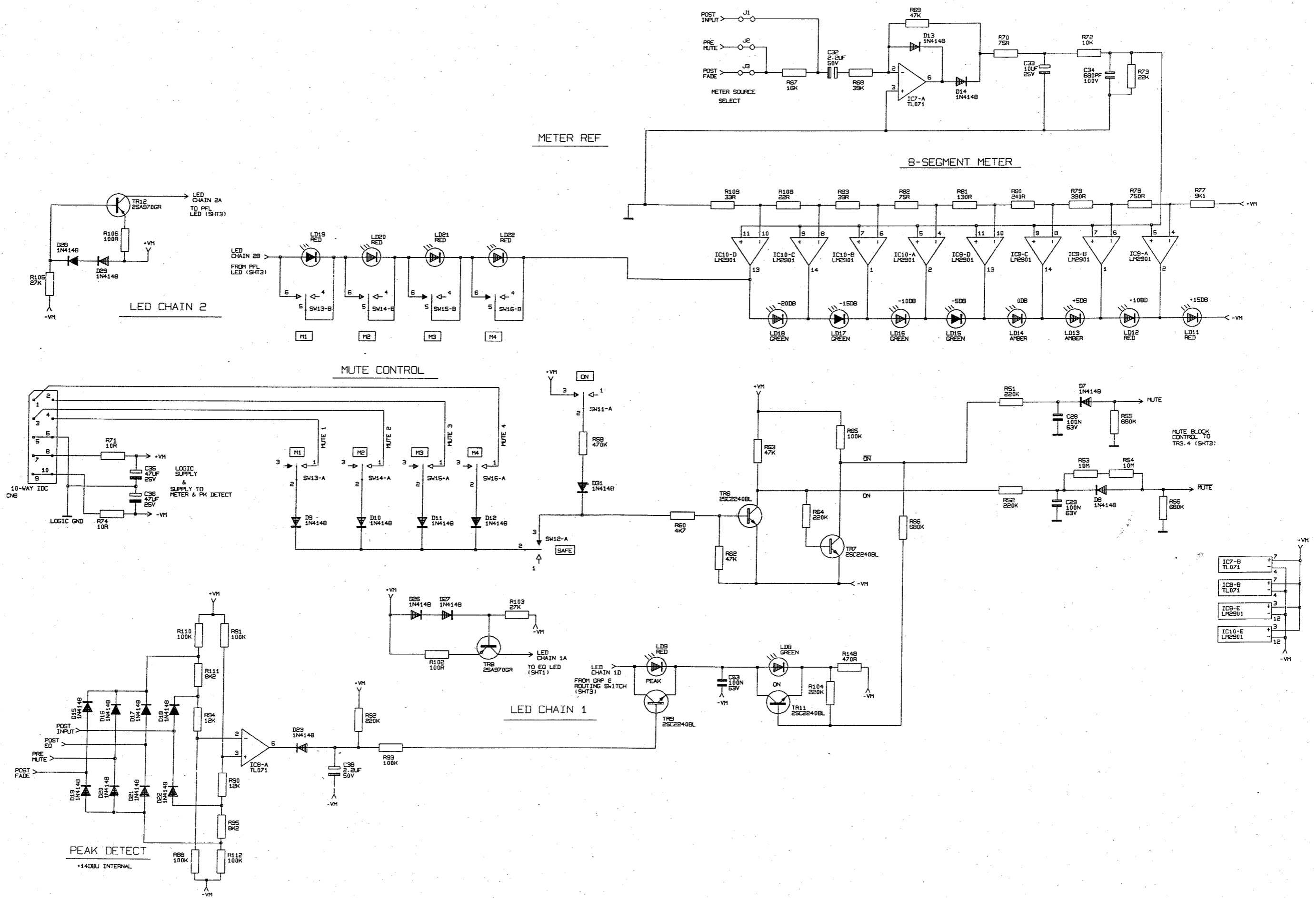


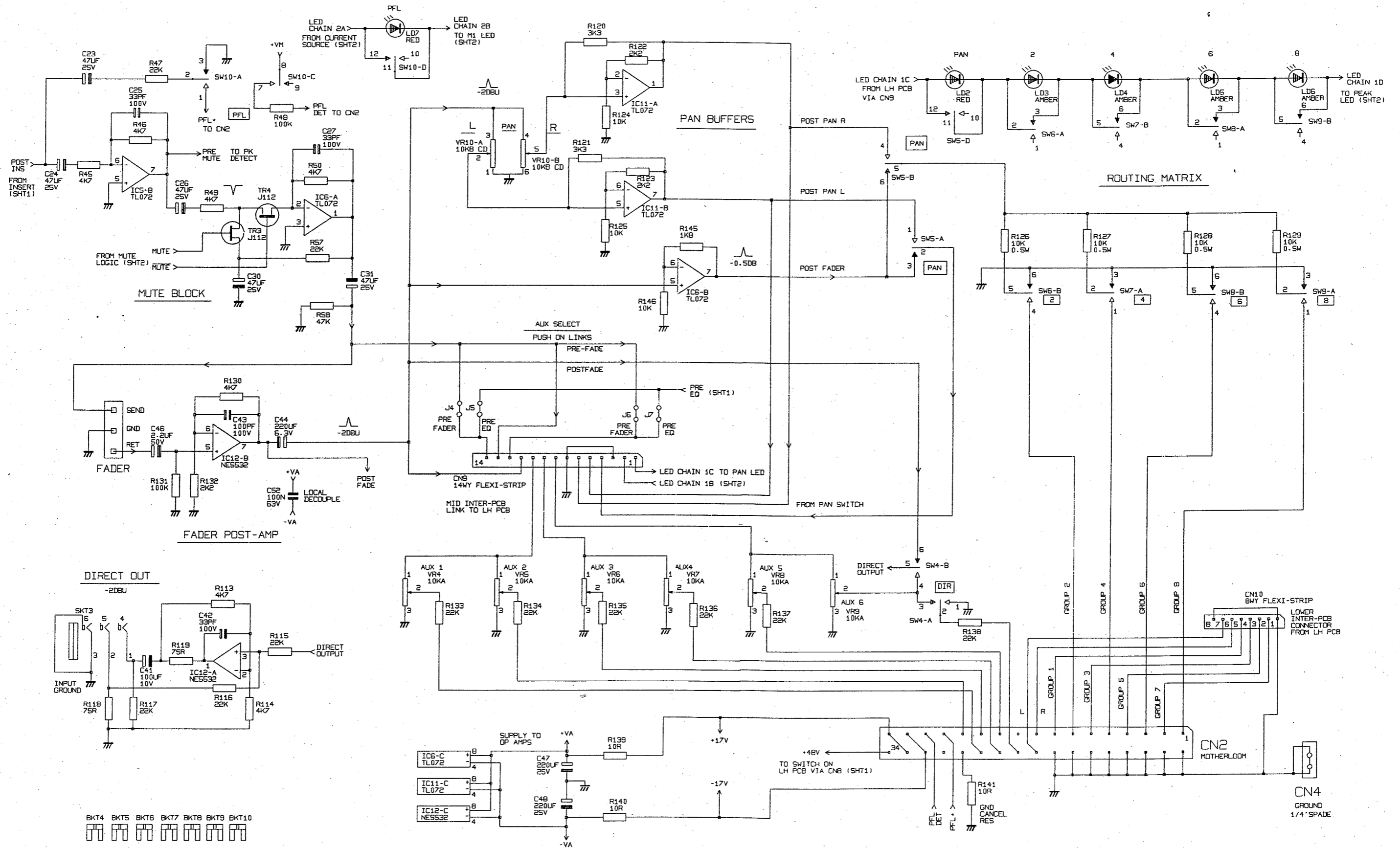
- | | |
|-------|------------|
| S13 | 4x IN4148 |
| S13-A | D1 |
| S15-A | D2 |
| S14-A | D3 |
| S12-A | D4 |
| CNS | |
| PFL | CHANNEL ON |
| MIX | GROUPS 1-2 |
| S11 | GROUPS 3-4 |
| S10 | GROUPS 5-6 |
| S18 | GROUPS 7-8 |
| S19 | MUTE BUS 1 |
| S14 | MUTE BUS 2 |
| S15 | MUTE BUS 3 |
| S16 | MUTE BUS 4 |

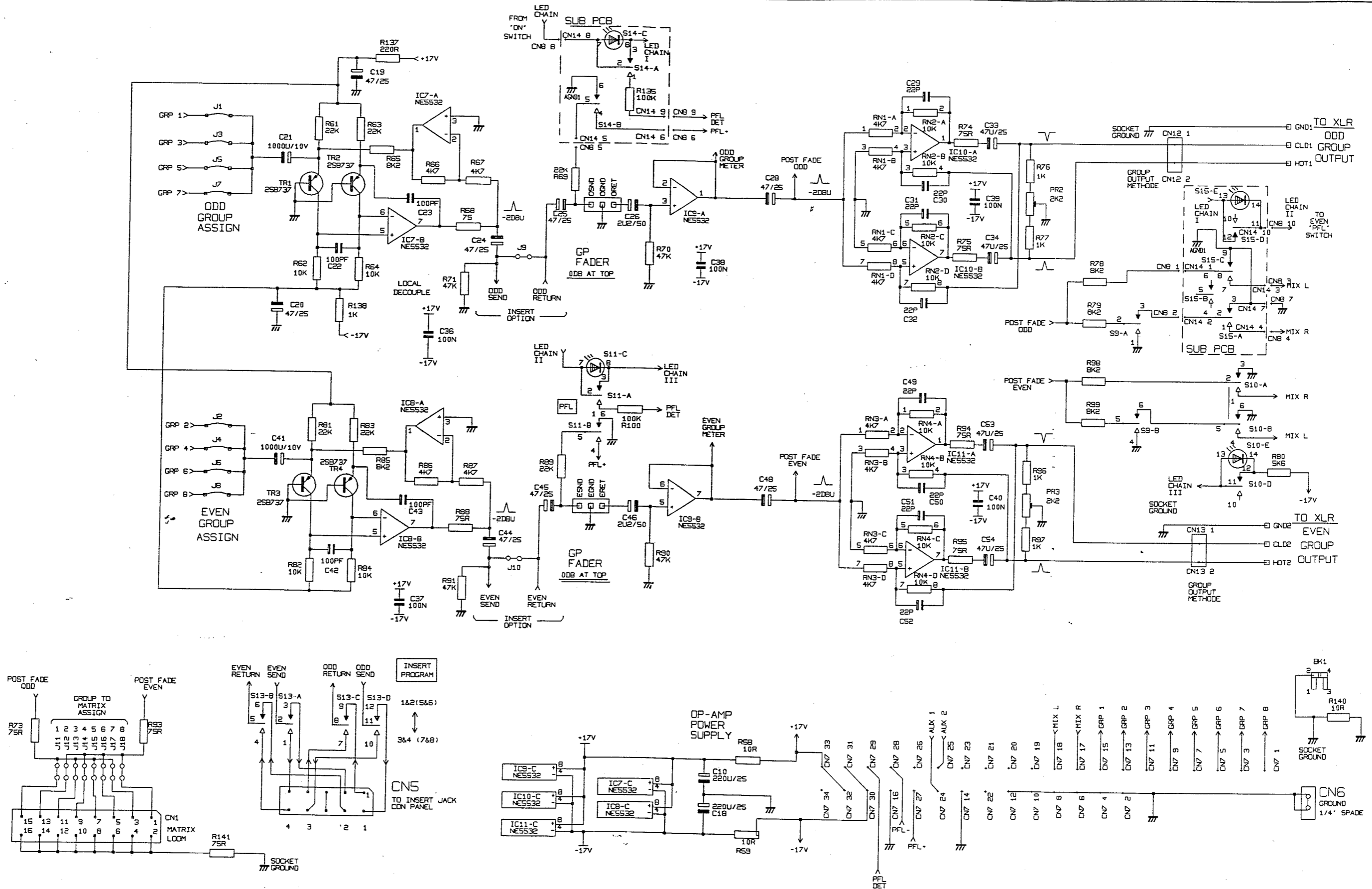
IF MUTE USED FIT J7; R15; R115 ELSE FIT J21; J8; J9; J22; J10; R45 AND R46



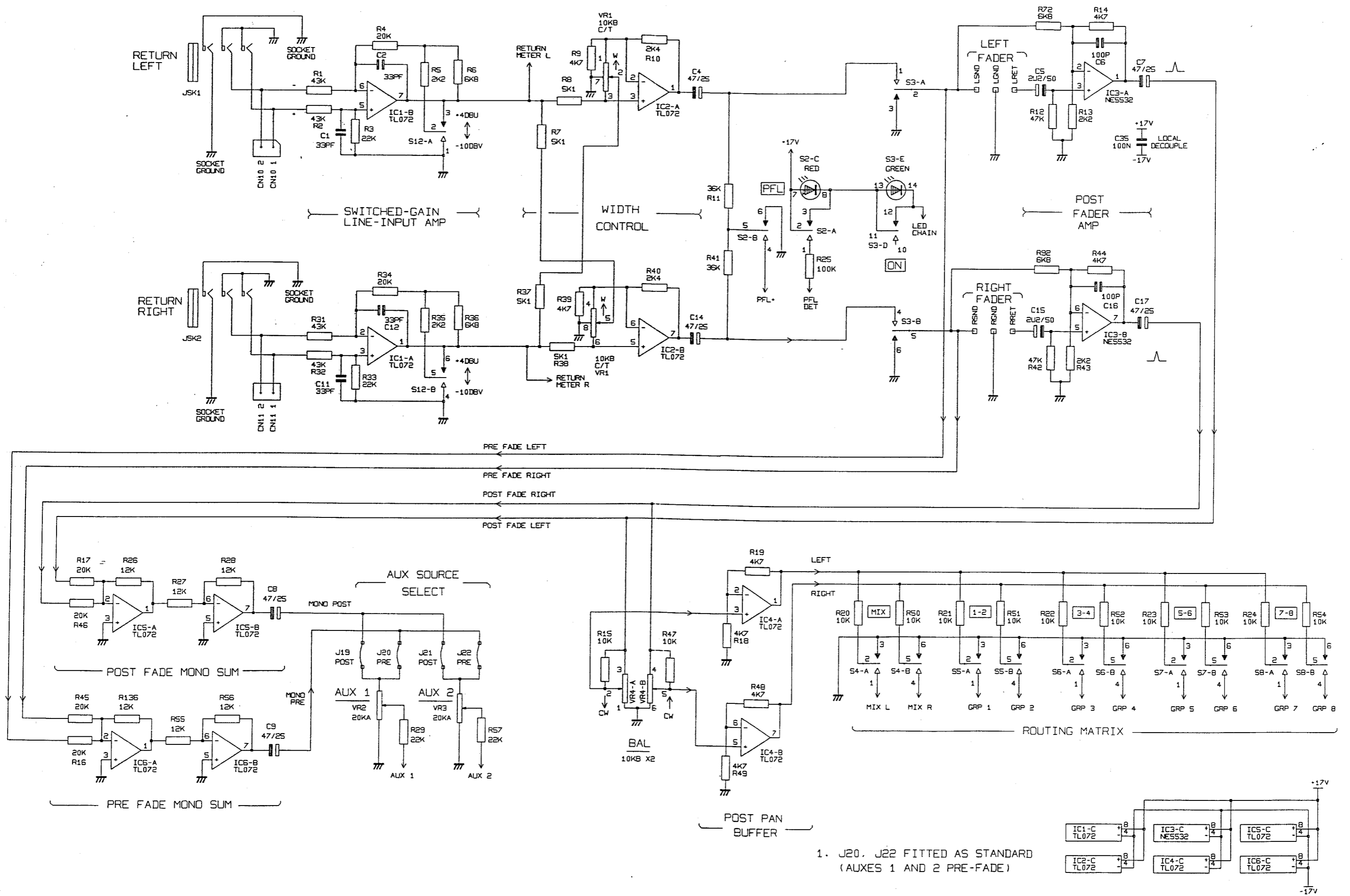




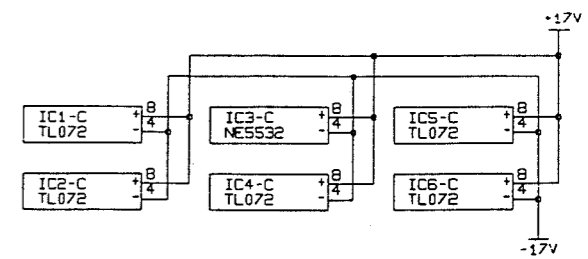


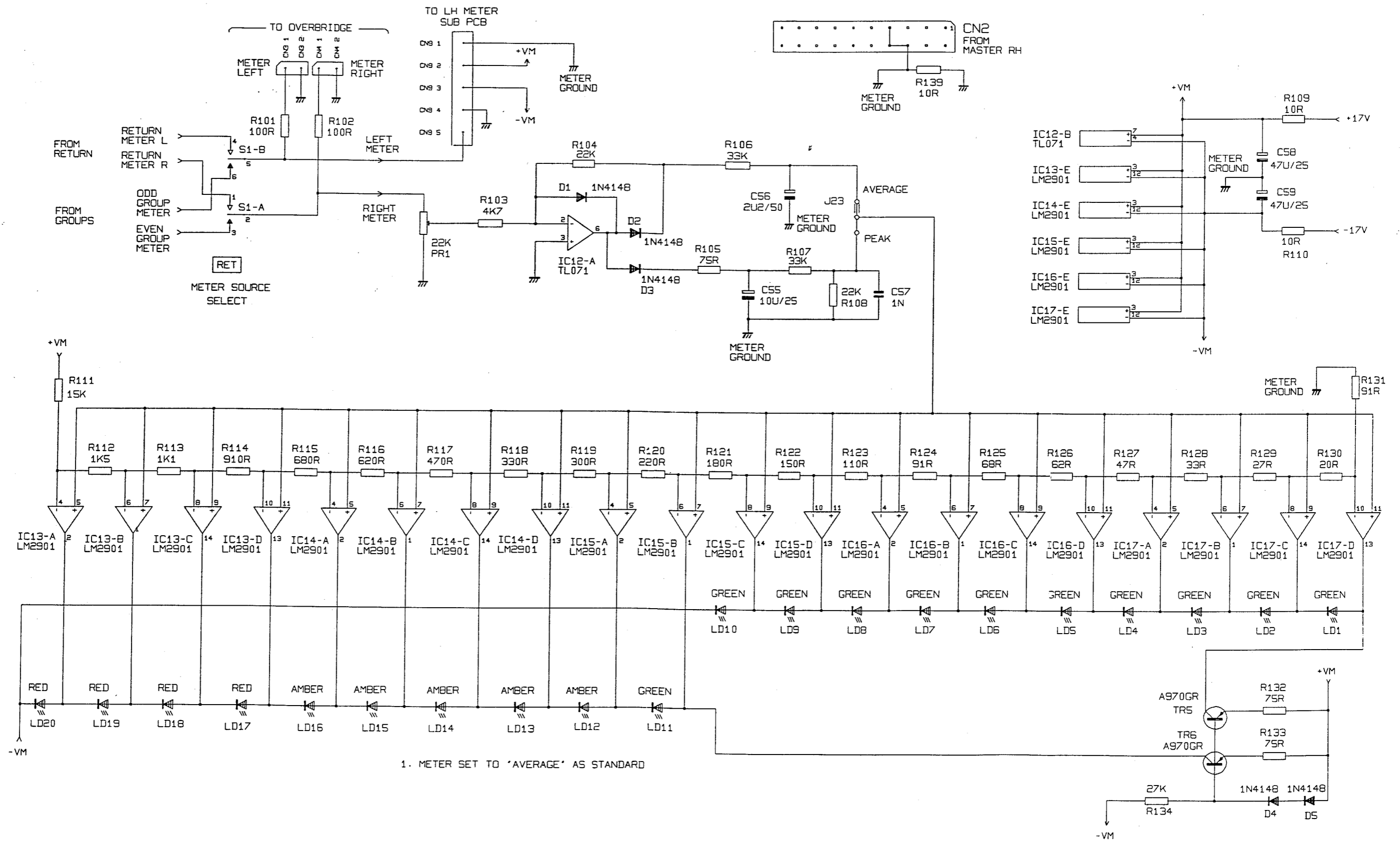


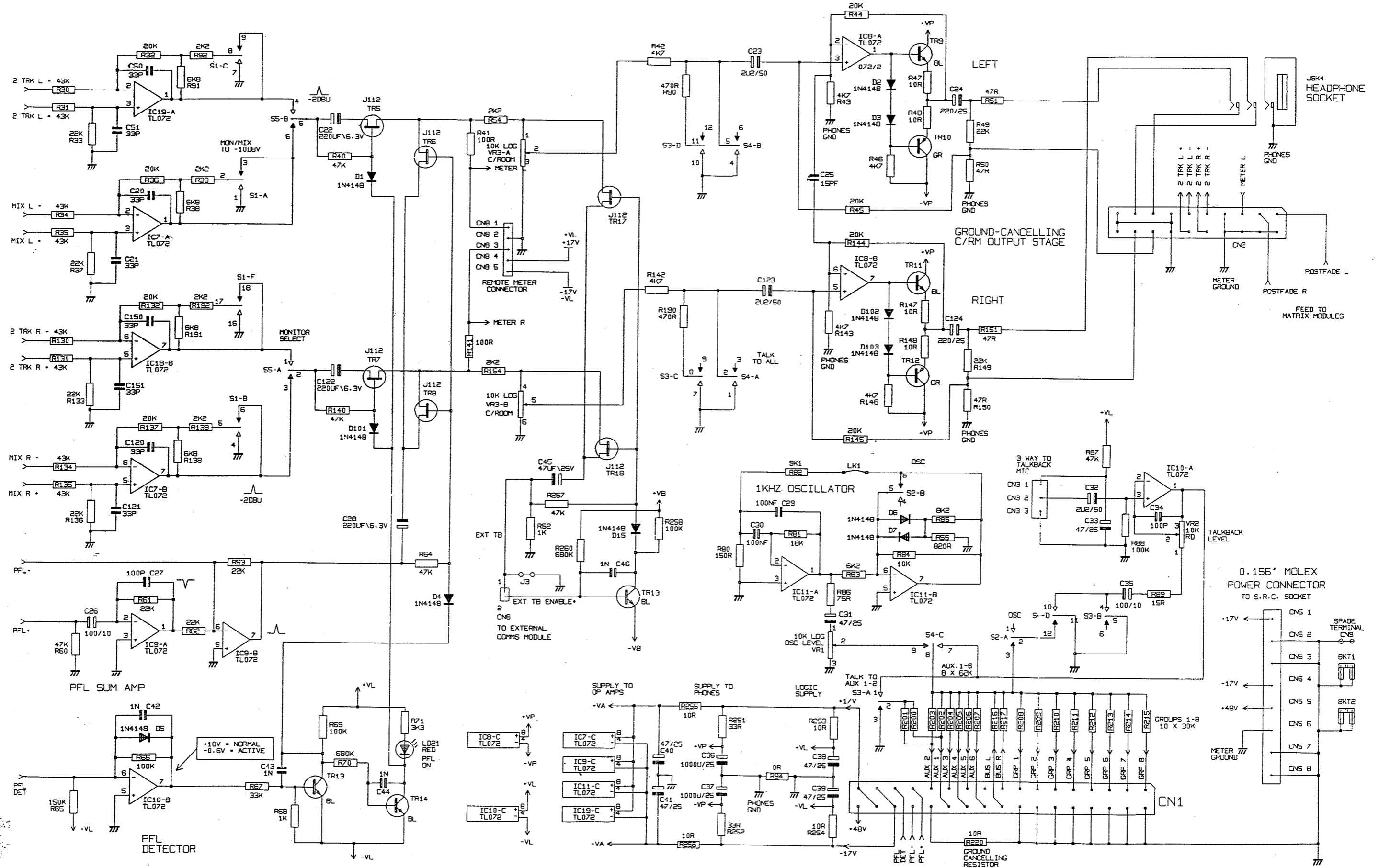
1. J9, J10 FITTED AS STANDARD REMOVE WHEN INSERT OPTION IS USED

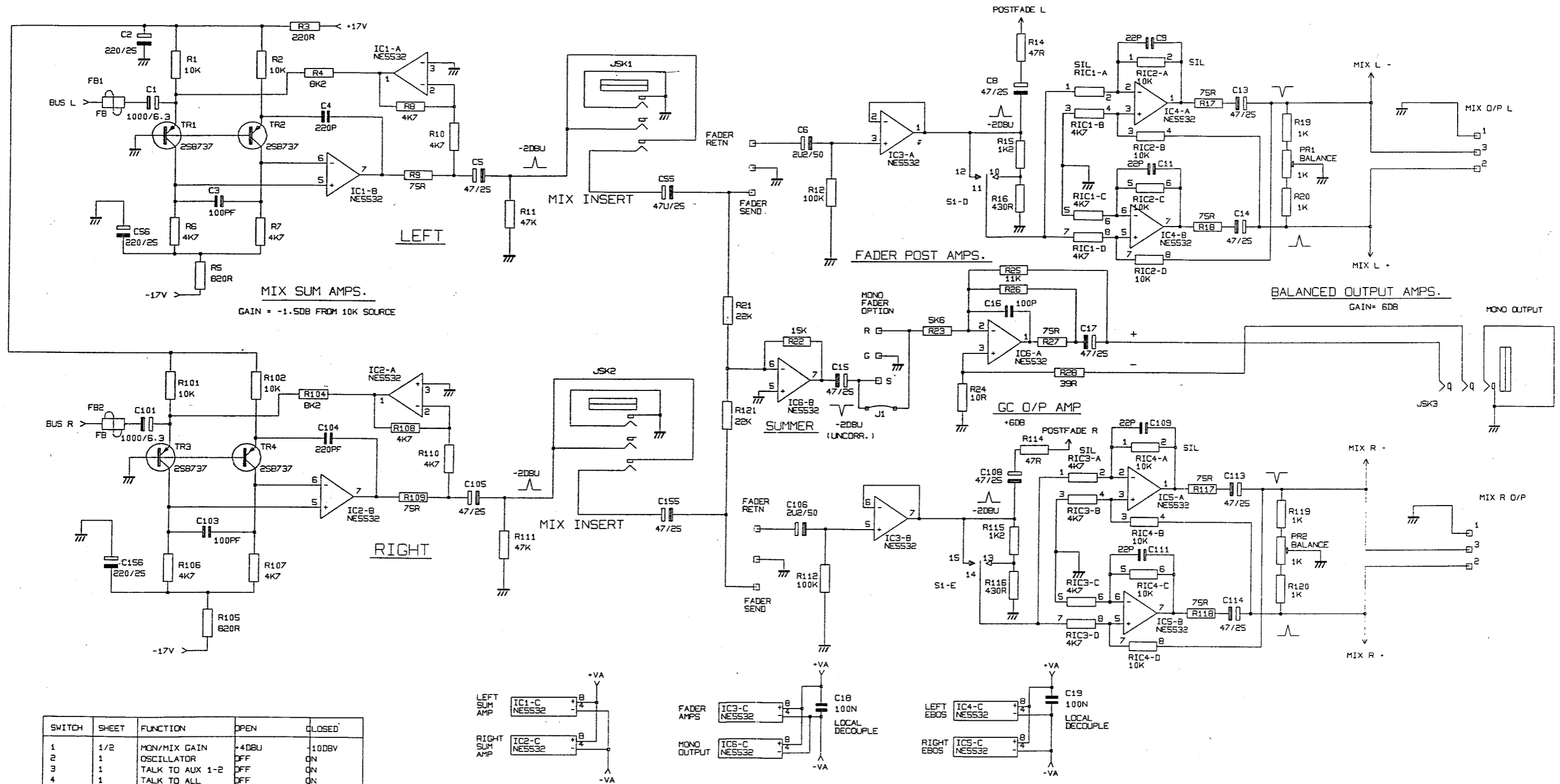


1. J20, J22 FITTED AS STANDARD (AUXES 1 AND 2 PRE-FADE)









SWITCH	SHEET	FUNCTION	OPEN	CLOSED
1	1/2	MON/MIX GAIN	+4DBU	-10DBV
2	1	OSCILLATOR	OFF	ON
3	1	TALK TO AUX 1-2	OFF	ON
4	1	TALK TO ALL	OFF	ON
5	1	MONITOR SELECT	MIX	2 TRACK
6	3	MUTE BUS 1	INACTIVE	MUTE
7	3	.	.	.
8	3	.	.	.
9	3	.	.	.

