

INPUT LEVEL

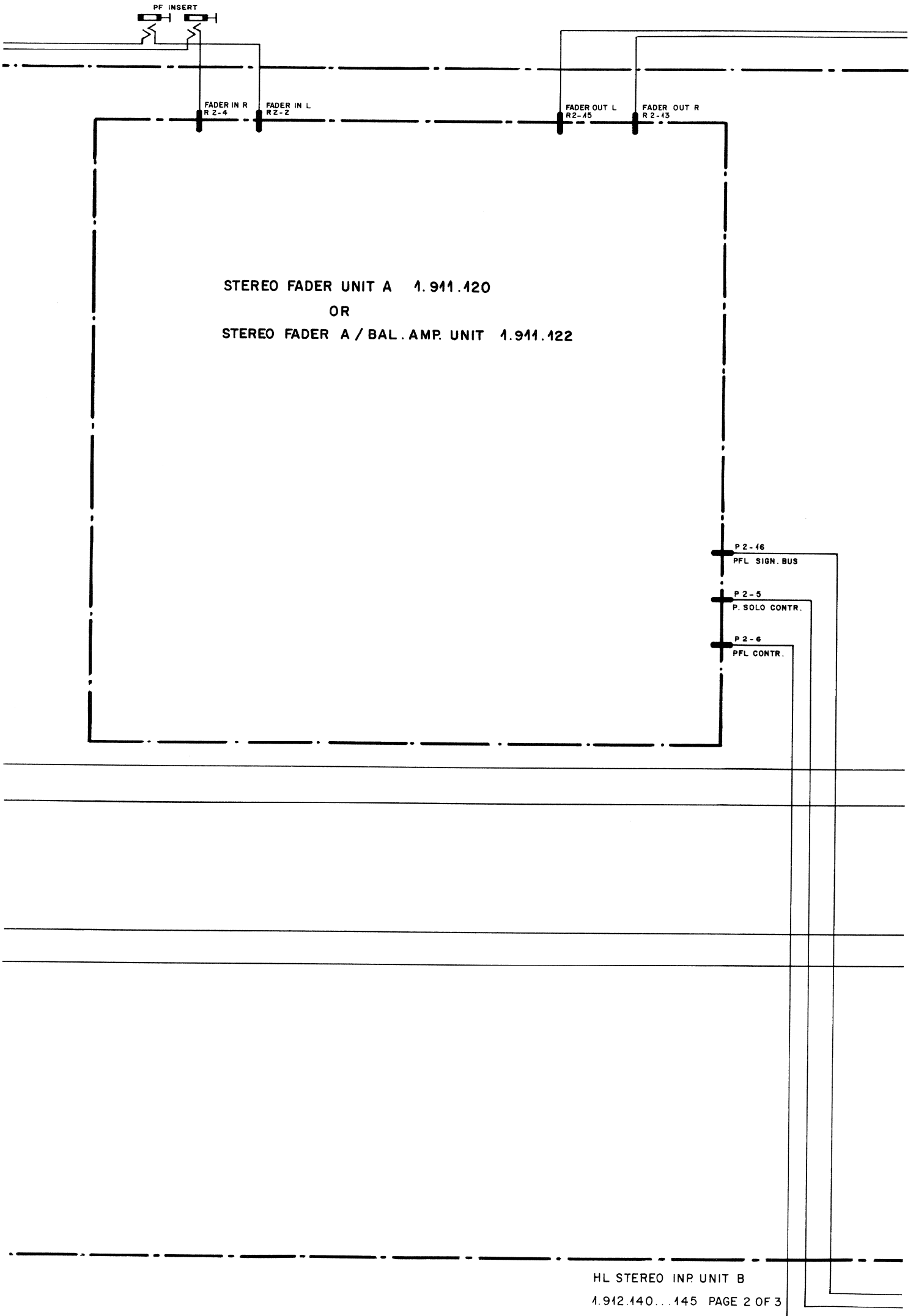
| | | |
|-------|---------------------------|------------------|
| +6 dB | R303, 304, 505, 506 = 2k7 | R307 + 508 = 6k8 |
| +8 " | " " " " = 2k " | " " " " = " " |
| +10 " | " " " " = 4k8 " | " " " " = " " |
| +14 " | " " " " = 4k4 " | " " " " = " " |

R304, 302, 306, NOT EQUIPPED
 C306, 505 = 22p
 IC301 = 5534

* OPTIONAL
 D = 1N4448
 IC303 = 4:1/4 4084 "AND"
 IC304 = 6:1/6 4049 "INV"

* (only used 1.912.144/145)

* (only used 1.912.140/142)

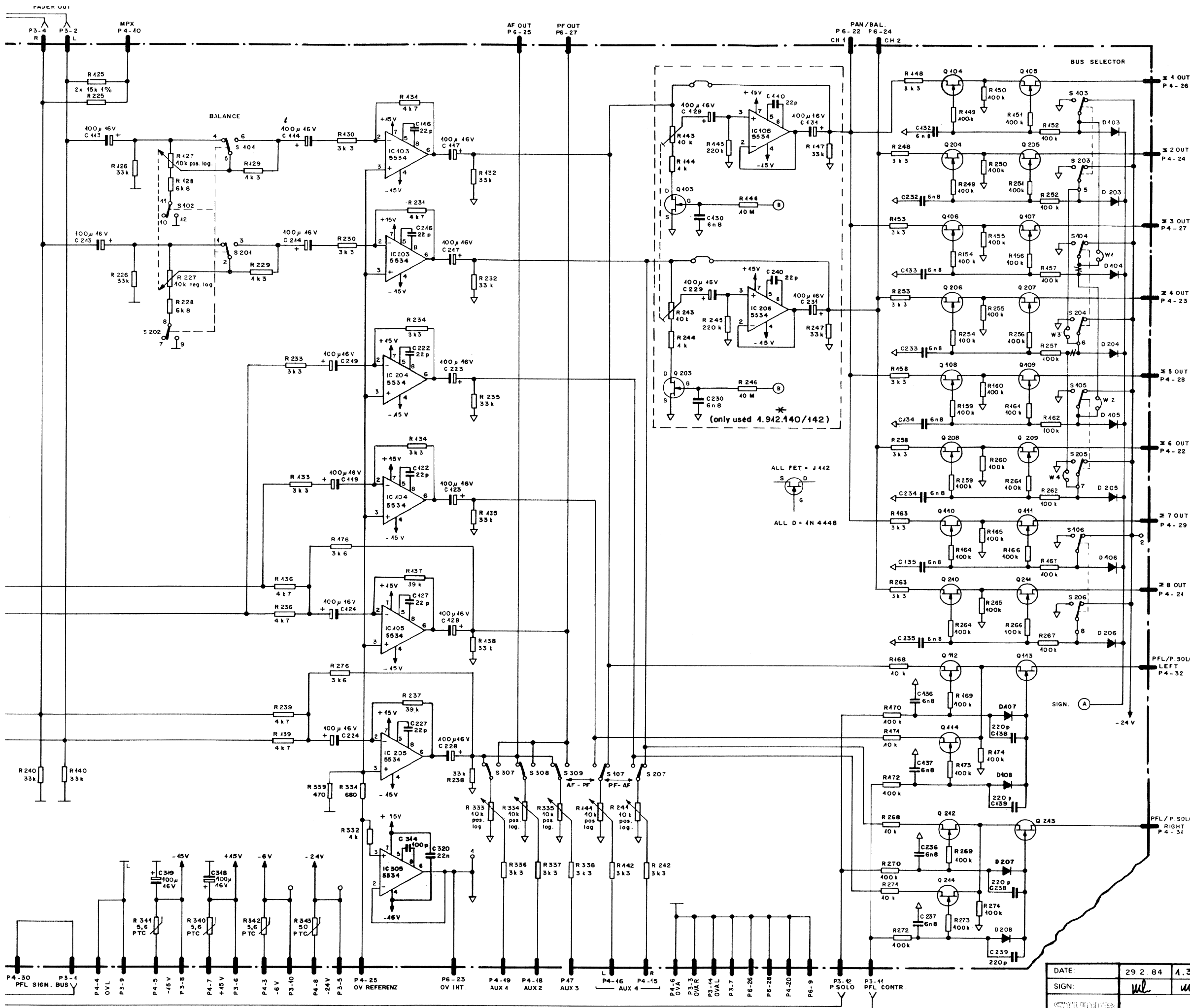


STEREO FADER UNIT A 1.911.120
 OR
 STEREO FADER A / BAL. AMP. UNIT 1.911.122

P 2-16
PFL SIGN. BUS

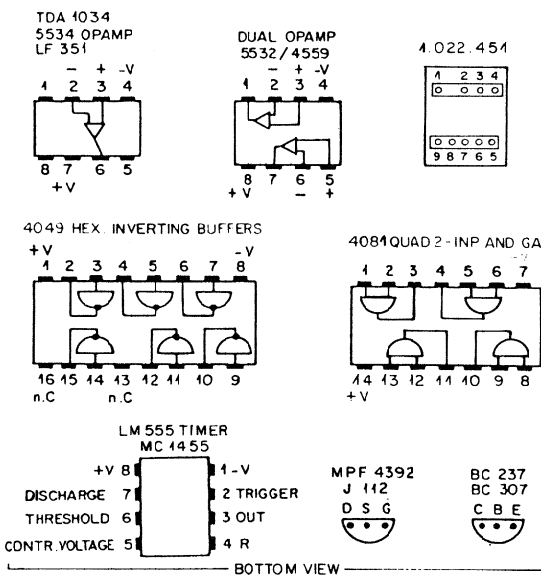
P 2-5
P. SOLO CONTR.

P 2-6
PFL CONTR.



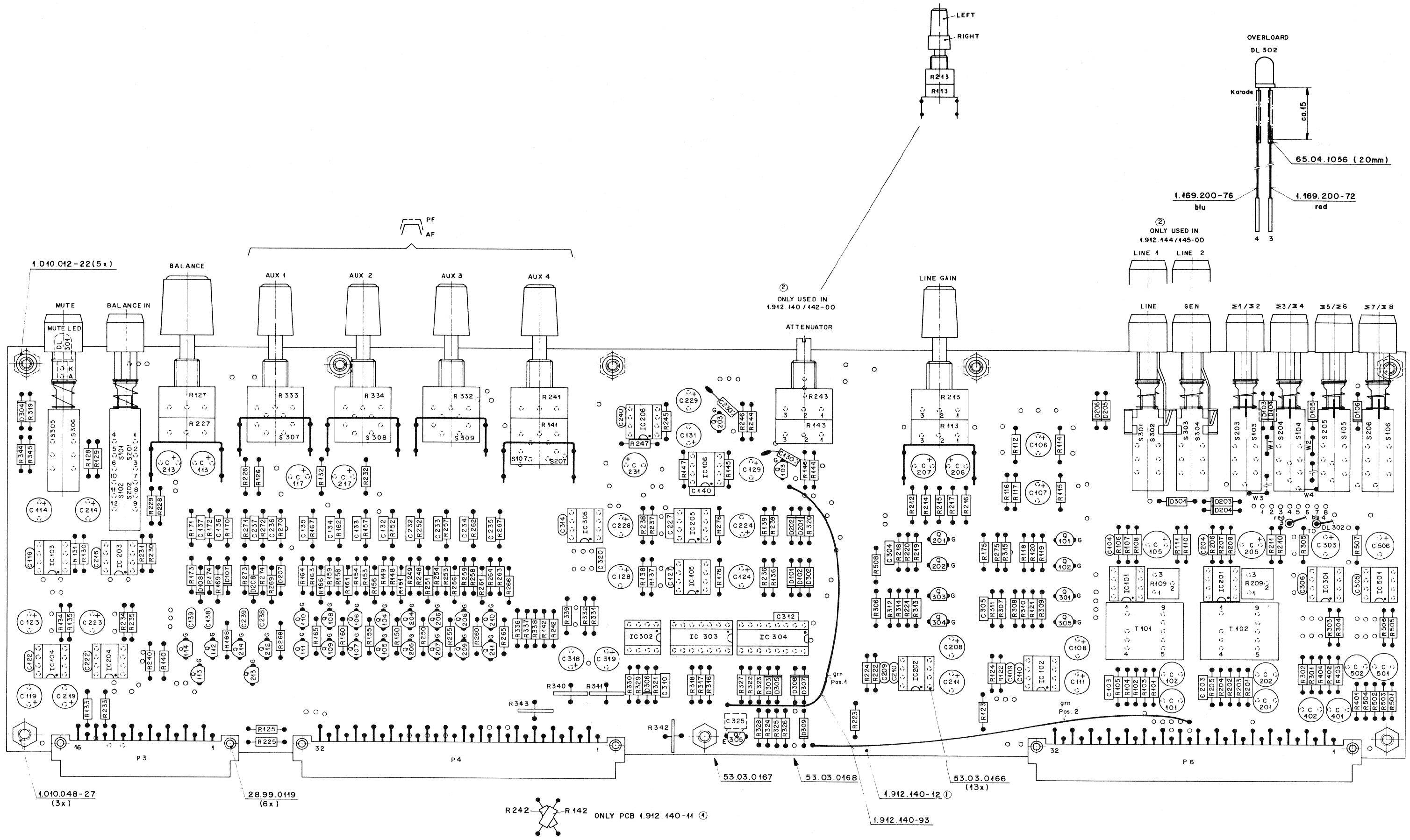
- P 6**
- 1 LINE a
 - 2 LINE b
 - 3 SCREEN
 - 4 LINE a
 - 5 LINE b
 - 6 SCREEN
 - 7 P-FILTER OUT
 - 8 P-FILTER IN
 - 9 OVA
 - 10 X
 - 11 LINE a
 - 12 LINE b
 - 13 SCREEN
 - 14 LINE a
 - 15 LINE b
 - 16 SCREEN
 - 17 ATT (*)
 - 18 X
 - 19 X
 - 20 X
 - 21 X
 - 22 CH 1 PAN/BAL
 - 23 OV INT.
 - 24 CH 2 PAN/BAL
 - 25 AF OUT
 - 26 OVA
 - 27 PF-OUT
 - 28 OVA
 - 29 P-FILTER OUT
 - 30 P-FILTER IN
 - 31 LINE SIGN. 1
 - 32 LINE SIGN. 2 (*)
- P 4**
- 1 MASTER SIGN.
 - 2 OVERLOAD
 - 3 -6V
 - 4 OVL
 - 5 -15V
 - 6 OVA
 - 7 +15V
 - 8 -24V
 - 9 X
 - 10 MPX
 - 11 X
 - 12 GEN. a
 - 13 GEN. b
 - 14 X
 - 15 AUX 4-R OUT
 - 16 AUX 4-L OUT
 - 17 AUX 3 OUT
 - 18 AUX 2 OUT
 - 19 AUX 1 OUT
 - 20 OVA
 - 21 8 OUT
 - 22 6 OUT
 - 23 4 OUT
 - 24 2 OUT
 - 25 OV REF
 - 26 1 OUT
 - 27 3 OUT
 - 28 5 OUT
 - 29 7 OUT
 - 30 PFL-SIGN. BUS
 - 31 PFL/P-SOLO R
 - 32 PFL/P-SOLO L

- P 3**
- 1 PFL-SIGN BUS
 - 2 FADER OUT L
 - 3 OVA R
 - 4 FADER OUT R
 - 5 -24V
 - 6 +15V
 - 7 OVA
 - 8 -15V
 - 9 OVL
 - 10 -6V
 - 11 PFL CONTR.
 - 12 P-SOLO CONTR
 - 13 FADER IN R
 - 14 OVA L
 - 15 FADER IN L
 - 16 CH-OFF
- * OPTIONAL**
 ONLY 4CH: W1, W2, W3, W4
 /V CIRCUIT INTERRUPT SOLDERSIDE



4 CH : 1.942.140/441/444
 8 CH : 1.942.142/443/445

| | | | | | |
|-------|-----------|-----------|-----------|--|------------------------|
| DATE: | 29.2.84 | 1.3.84 | 4.10.84 | | PAGE 3 OF 3 |
| SIGN: | <i>ul</i> | <i>ul</i> | <i>ul</i> | | |
| | | | | | HL STEREO INPUT UNIT B |
| | | | | | SC 1.942.140...145 |



ONLY 4 CH: W1, W2, W3, W4
 // CIRCUIT INTERRUPT
 SOLDER SIDE

| VALID FOR | NR. UNIT | NR. PL | NR. LL |
|-----------------|--------------|--------------|--------------|
| 4 CH RAI | 1.912.140-00 | 1.912.140-00 | 1.912.140-93 |
| 4 CH LINE / GEN | 1.912.141-00 | 1.912.141-00 | - |
| 8 CH RAI | 1.912.142-00 | 1.912.140-00 | 1.912.140-93 |
| 8 CH LINE / GEN | 1.912.143-00 | 1.912.141-00 | - |
| 4 CH 2 LINE | 1.912.144-00 | 1.912.144-00 | - |
| 8 CH 2 LINE | 1.912.145-00 | 1.912.144-00 | - |

| | | | |
|--------------------------------|------------------|-------------------------------|-------------|
| Norm-Nr.: | Güte: | Änderung: | 1.3.84 A.Ho |
| DIN-Bez.: | Beh.: | 7.12.83 A.Ho | |
| Abmessung: | Freinastoleranz: | Maßstab: | 2:1 |
| Zugehörige Unterlagen: | | Ausgabe: | Datum |
| Erstz. für: | Ersetzt durch: | Kopie für: | |
| Studer REGENSDORF ZÜRICH | | Benennung: HL ST. INP. UNIT B | |
| | | Nummer: 1.912.140-00 | |

| IND. | POS.NO. | PART NO. | VALUE | SPECIFICATIONS / EQUIVALENT | | MANUF. |
|------|---------|----------|------------|-----------------------------|------|---------|
| | | C...101 | 59.05.1681 | 680 pF | 1% | 500V PP |
| | | C...102 | 59.05.1681 | 680 pF | 1% | 500V PP |
| (03) | | C...103 | 59.06.0682 | 6,8 nF | 10% | 50V PE |
| | | C...104 | 59.34.5391 | 390 pF | 5% | CE |
| | | C...105 | 59.22.4101 | 100 uF | -20% | 16V EL |
| | | C...106 | 59.22.2221 | 220 uF | -20% | 6V EL |
| | | C...107 | 59.22.4101 | 100 uF | -20% | 16V EL |
| | | C...108 | 59.22.2221 | 220 uF | -20% | 6V EL |
| | | C...109 | 59.34.2220 | 22 pF | 5% | CE |
| | | C...110 | 59.34.2220 | 22 pF | 5% | CE |
| | | C...111 | 59.22.4101 | 100 uF | -20% | 16V EL |
| | | C...112 | | not exist | | |
| | | C...113 | 59.22.4101 | 100 uF | -20% | 16V EL |
| | | C...114 | 59.22.4101 | 100 uF | -20% | 16V EL |
| | | C...115 | | not used | | |
| | | C...116 | 59.34.2220 | 22 pF | 5% | CE |
| | | C...117 | 59.22.4101 | 100 uF | -20% | 16V EL |
| | | C...118 | | not exist | | |
| | | C...119 | 59.22.4101 | 100 uF | -20% | 16V EL |
| | | C...120 | | not exist | | |
| | | C...121 | | not used | | |
| | | C...122 | 59.34.2220 | 22 pF | 5% | CE |
| | | C...123 | 59.22.4101 | 100 uF | -20% | 16V EL |
| | | C...124 | 59.22.4101 | 100 uF | -20% | 16V EL |
| | | C...125 | | not exist | | |
| | | C...126 | | not used | | |
| | | C...127 | 59.34.2220 | 22 pF | 5% | CE |
| | | C...128 | 59.22.4101 | 100 uF | -20% | 16V EL |
| (01) | | C...129 | | not used | | |
| (01) | | C...130 | | not used | | |
| (01) | | C...131 | | not used | | |
| | | C...132 | 59.06.0682 | 6.8 nF | | 50V PE |
| | | C...133 | 59.06.0682 | 6.8 nF | | 50V PE |
| | | C...134 | 59.06.0682 | * 6.8 nF | | 50V PE |
| | | C...135 | 59.06.0682 | * 6.8 uF | | 50V PE |
| | | C...136 | 59.06.0682 | 6.8 nF | | 50V PE |
| | | C...137 | 59.06.0682 | 6.8 nF | | 50V PE |

S T U D E R (03) 84/12/01 TA HL-ST-INPUT-UNIT-B-4CH/8CH 1.912.141.00 PAGE 1

| IND. | POS.NO. | PART NO. | VALUE | SPECIFICATIONS / EQUIVALENT | | MANUF. |
|------|---------|----------|------------|-----------------------------|------|---------|
| | | C...138 | 59.34.4221 | 220 pF | 5% | CE |
| | | C...139 | 59.34.4221 | 220 pF | 5% | CE |
| (01) | | C...140 | | not used | | |
| | | C...201 | 59.05.1681 | 680 pF | 1% | 500V PP |
| (03) | | C...202 | 59.05.1681 | 680 pF | 1% | 500V PP |
| | | C...203 | 59.06.0682 | 6,8 nF | 10% | 50V PE |
| | | C...204 | 59.34.5391 | 390 pF | 5% | CE |
| | | C...205 | 59.22.4101 | 100 uF | -20% | 16V EL |
| | | C...206 | 59.22.2221 | 220 uF | -20% | 6V EL |
| | | C...207 | 59.22.4101 | 100 uF | -20% | 16V EL |
| | | C...208 | 59.22.2221 | 220 uF | -20% | 6V EL |
| | | C...209 | 59.34.2220 | 22 pF | 5% | CE |
| | | C...210 | 59.34.2220 | 22 pF | 5% | CE |
| | | C...211 | 59.22.4101 | 100 uF | -20% | 16V EL |
| | | C...212 | | not exist | | |
| | | C...213 | 59.22.4101 | 100 uF | -20% | 16V EL |
| | | C...214 | 59.22.4101 | 100 uF | -20% | 16V EL |
| | | C...215 | | not used | | |
| | | C...216 | 59.34.2220 | 22 pF | 5% | CE |
| | | C...217 | 59.22.4101 | 100 uF | -20% | 16V EL |
| | | C...218 | | not exist | | |
| | | C...219 | 59.22.4101 | 100 uF | -20% | 16V EL |
| | | C...220 | | not exist | | |
| | | C...221 | | not used | | |
| | | C...222 | 59.34.2220 | 22 pF | 5% | CE |
| | | C...223 | 59.22.4101 | 100 uF | -20% | 16V EL |
| | | C...224 | 59.22.4101 | 100 uF | -20% | 16V EL |
| | | C...225 | | not exist | | |
| | | C...226 | | not used | | |
| | | C...227 | 59.34.2220 | 22 pF | 5% | CE |
| | | C...228 | 59.22.4101 | 100 uF | -20% | 16V EL |
| (01) | | C...229 | | not used | | |
| (01) | | C...230 | | not used | | |
| (01) | | C...231 | | not used | | |
| | | C...232 | 59.06.0682 | 6.8 nF | | 50V PE |
| | | C...233 | 59.06.0682 | 6.8 nF | | 50V PE |
| | | C...234 | 59.06.0682 | * 6.8 nF | | 50V PE |

S T U D E R (03) 84/12/01 TA HL-ST-INPUT-UNIT-B-4CH/8CH 1.912.141.00 PAGE 2

| IND. | POS.NO. | PART NO. | VALUE | SPECIFICATIONS / EQUIVALENT | MANUF. |
|------|---------|------------|----------|-----------------------------|--------|
| | C...235 | 59.06.0682 | * 6.8 uF | 50V PE | |
| | C...236 | 59.06.0682 | 6.8 nF | 50V PE | |
| | C...237 | 59.06.0682 | 6.8 nF | 50V PE | |
| | C...238 | 59.34.4221 | 220 pF | 5% CE | |
| | C...239 | 59.34.4221 | 220 pF | 5% CE | |
| (01) | C...240 | | not used | | |
| | C...301 | | not used | | |
| | C...302 | | not used | | |
| | C...303 | 59.22.4101 | 100 uF | -20% 16V EL | |
| | C...304 | 59.06.0223 | 22 nF | 10% 50V PE | |
| (01) | C...305 | 59.06.0223 | 22 nF | 10% 50V PE | |
| | C...306 | | not used | | |
| | C...307 | | not used | | |
| | C...308 | | not used | | |
| | C...309 | | not used | | |
| | C...310 | 59.06.0223 | 22 nF | 10% 50V PE | |
| | C...311 | | not used | | |
| | C...312 | 59.06.0223 | 22 nF | 10% 50V PE | |
| | C...313 | | not used | | |
| (02) | C...314 | 59.34.4101 | 100 pF | 5% CE | |
| | C...315 | | not used | | |
| | C...316 | | not used | | |
| | C...317 | | not used | | |
| | C...318 | 59.22.4101 | 100 uF | -20% 16V EL | |
| | C...319 | 59.22.4101 | 100 uF | -20% 16V EL | |
| | C...320 | 59.06.0223 | 22 nF | 10% 50V PE | |
| | C...321 | | not used | | |
| | C...322 | | not used | | |
| | C...323 | | not used | | |
| | C...324 | | not used | | |
| (01) | C...325 | | not used | | |
| (01) | C...401 | | not used | | |
| (01) | C...402 | | not used | | |
| (01) | C...501 | | not used | | |
| (01) | C...502 | | not used | | |
| | C...503 | | not used | | |
| | C...504 | | not used | | |

S T U D E R (03) 84/12/01 TA HL-ST-INPUT-UNIT-B-4CH/8CH 1.912.141.00 PAGE 3

| IND. | POS.NO. | PART NO. | VALUE | SPECIFICATIONS / EQUIVALENT | MANUF. |
|------|----------|------------|----------|---------------------------------------|-----------|
| (01) | C...505 | | not used | | |
| | C...506 | | not used | | |
| | C...507 | | not used | | |
| | D...101 | 50.04.0125 | 1N4448 | | any |
| | D...102 | 50.04.0125 | 1N4448 | | any |
| | D...103 | 50.04.0125 | 1N4448 | | any |
| | D...104 | 50.04.0125 | 1N4448 | | any |
| | D...105 | 50.04.0125 | * 1N4448 | | any |
| | D...106 | 50.04.0125 | * 1N4448 | | any |
| | D...107 | 50.04.0125 | 1N4448 | | any |
| | D...108 | 50.04.0125 | 1N4448 | | any |
| | D...201 | 50.04.0125 | 1N4448 | | any |
| | D...202 | 50.04.0125 | 1N4448 | | any |
| | D...203 | 50.04.0125 | 1N4448 | | any |
| | D...204 | 50.04.0125 | 1N4448 | | any |
| | D...205 | 50.04.0125 | * 1N4448 | | any |
| | D...206 | 50.04.0125 | * 1N4448 | | any |
| | D...207 | 50.04.0125 | 1N4448 | | any |
| | D...208 | 50.04.0125 | 1N4448 | | any |
| | D...301 | 50.04.0125 | 1N4448 | | any |
| | D...302 | 50.04.1112 | Z 5.1V | 400mW BZX83C 5.1, BZX55C 5.1, ZPD 5.1 | |
| | D...303 | 50.04.0125 | 1N4448 | | any |
| | D...304 | 50.04.0125 | 1N4448 | | any |
| | D...305 | 50.04.0125 | 1N4448 | | any |
| | D...306 | 50.04.0125 | 1N4448 | | any |
| (01) | D...307 | | not used | | |
| | D...308 | 50.04.0125 | 1N4448 | | any |
| (01) | D...309 | | not used | | |
| | DL...301 | 50.04.2111 | MV5753 | red | GI,HP |
| | DL...302 | 50.04.2111 | MV5753 | red | GI,HP |
| | IC...101 | 50.09.0106 | NE5532AN | dual op. amp. low noise | Siq,Ex,Ra |
| | IC...102 | 50.05.0243 | NE5534N | single op. amp. | TI,Sig,Ra |
| | IC...103 | 50.05.0243 | NE5534N | single op. amp. | TI,Sig,Ra |
| | IC...104 | 50.05.0243 | NE5534N | single op. amp. | TI,Sig,Ra |

S T U D E R (03) 84/12/01 TA HL-ST-INPUT-UNIT-B-4CH/8CH 1.912.141.00 PAGE 4

| IND. | POS.NO. | PART NO. | VALUE | SPECIFICATIONS / EQUIVALENT | MANUF. |
|------|---------|------------|----------|-----------------------------|-------------|
| | IC..105 | 50.05.0243 | NE5534N | single op. amp. | TI,Sig,Ra |
| (01) | IC..106 | | not used | | |
| | IC..201 | 50.09.0106 | NE5532AN | dual op. amp. low noise | Sig,Ex,Ra |
| | IC..202 | 50.05.0243 | NE5534N | single op. amp. | TI,Sig,Ra |
| | IC..203 | 50.05.0243 | NE5534N | single op. amp. | TI,Sig,Ra |
| | IC..204 | 50.05.0243 | NE5534N | single op. amp. | TI,Sig,Ra |
| | IC..205 | 50.05.0243 | NE5534N | single op. amp. | TI,Sig,Ra |
| (01) | IC..206 | | not used | | |
| (01) | IC..301 | | not used | | |
| | IC..302 | 50.05.0158 | NE 555 | timer | Sig,Mot,NSC |
| | IC..303 | 50.07.0081 | CD4081 | 2 input and-gate CMOS | Fc,Mot,RCA |
| | IC..304 | 50.07.0049 | CD4049 | hex. inverter CMOS | Fc,Mot |
| | IC..305 | 50.05.0243 | NE5534N | single op. amp. | TI,Sig,Ra |
| (01) | IC..501 | | not used | | |
| | P.....3 | 54.11.2007 | 2*8 pin | euroconnector | Bu |
| | P.....4 | 54.01.0359 | 2*16pin | euroconnector | Bu |
| | P.....6 | 54.01.0359 | 2*16pin | euroconnector | Bu |
| | Q...101 | 50.03.0350 | J 112 | N-JFET | NS,Mot,Six |
| | Q...102 | 50.03.0350 | J 112 | N-JFET | NS,Mot,Six |
| (01) | Q...103 | | not used | | |
| | Q...104 | 50.03.0350 | J 112 | N-JFET | NS,Mot,Six |
| | Q...105 | 50.03.0350 | J 112 | N-JFET | NS,Mot,Six |
| | Q...106 | 50.03.0350 | J 112 | N-JFET | NS,Mot,Six |
| | Q...107 | 50.03.0350 | J 112 | N-JFET | NS,Mot,Six |
| | Q...108 | 50.03.0350 | * J 112 | N-JFET | NS,Mot,Six |
| | Q...109 | 50.03.0350 | * J 112 | N-JFET | NS,Mot,Six |
| | Q...110 | 50.03.0350 | * J 112 | N-JFET | NS,Mot,Six |
| | Q...111 | 50.03.0350 | * J 112 | N-JFET | NS,Mot,Six |
| | Q...112 | 50.03.0350 | J 112 | N-JFET | NS,Mot,Six |
| | Q...113 | 50.03.0350 | J 112 | N-JFET | NS,Mot,Six |
| | Q...114 | 50.03.0350 | J 112 | N-JFET | NS,Mot,Six |
| | Q...201 | 50.03.0350 | J 112 | N-JFET | NS,Mot,Six |
| | Q...202 | 50.03.0350 | J 112 | N-JFET | NS,Mot,Six |
| (01) | Q...203 | | not used | | |
| | Q...204 | 50.03.0350 | J 112 | N-JFET | NS,Mot,Six |

S T U D E R (03) 84/12/01 TA HL-ST-INPUT-UNIT-B-4CH/8CH 1.912.141.00 PAGE 5

| IND. | POS.NO. | PART NO. | VALUE | SPECIFICATIONS / EQUIVALENT | MANUF. |
|------|---------|--------------|----------|------------------------------|------------|
| | Q...205 | 50.03.0350 | J 112 | N-JFET | NS,Mot,Six |
| | Q...206 | 50.03.0350 | J 112 | N-JFET | NS,Mot,Six |
| | Q...207 | 50.03.0350 | J 112 | N-JFET | NS,Mot,Six |
| | Q...208 | 50.03.0350 | * J 112 | N-JFET | NS,Mot,Six |
| | Q...209 | 50.03.0350 | * J 112 | N-JFET | NS,Mot,Six |
| | Q...210 | 50.03.0350 | * J 112 | N-JFET | NS,Mot,Six |
| | Q...211 | 50.03.0350 | * J 112 | N-JFET | NS,Mot,Six |
| | Q...212 | 50.03.0350 | J 112 | N-JFET | NS,Mot,Six |
| | Q...213 | 50.03.0350 | J 112 | N-JFET | NS,Mot,Six |
| | Q...214 | 50.03.0350 | J 112 | N-JFET | NS,Mot,Six |
| | Q...301 | 50.03.0350 | J 112 | N-JFET | NS,Mot,Six |
| | Q...302 | 50.03.0350 | J 112 | N-JFET | NS,Mot,Six |
| | Q...303 | 50.03.0350 | J 112 | N-JFET | NS,Mot,Six |
| | Q...304 | 50.03.0350 | J 112 | N-JFET | NS,Mot,Six |
| | Q...305 | | BC 307 | PNP IC>100mA, B>100 50030515 | any |
| | R...101 | 57.11.3152 | 1.5 kOhm | 1% 0.25W | |
| | R...102 | 57.11.3392 | 3.9 kOhm | 1% 0.25W | |
| | R...103 | 57.11.3152 | 1.5 kOhm | 1% 0.25W | |
| | R...104 | 57.11.3392 | 3.9 kOhm | 1% 0.25W | |
| (01) | R...105 | 57.11.3392 | 3.9 kOhm | 5% 0.25W | |
| | R...106 | 57.11.4331 | 330 Ohm | 5% 0.25W | |
| | R...107 | 57.11.4472 | 4.7 kOhm | 5% 0.25W | |
| | R...108 | 57.11.3153 | 15 kOhm | 5% 0.25W | |
| | R...109 | 58.01.8502 | 5 kOhm | 10% | |
| | R...110 | 57.11.4122 | 1.2 kOhm | 5% 0.25W | |
| | R...111 | 57.11.4472 | 4.7 kOhm | 5% 0.25W | |
| | R...112 | 57.11.3132 | 1.3 kOhm | 5% 0.25W | |
| (01) | R...113 | 1.010.007.58 | 10 kOhm | 10% lin. combined with R 213 | St |
| | R...114 | 57.11.3132 | 1.3 kOhm | 5% 0.25W | |
| | R...115 | 57.11.4472 | 4.7 kOhm | 5% 0.25W | |
| | R...116 | 57.11.4333 | 33 kOhm | 5% 0.25W | |
| | R...117 | 57.11.4682 | 6.8 kOhm | 5% 0.25W | |
| | R...118 | 57.11.4104 | 100 kOhm | 5% 0.25W | |
| | R...119 | 57.11.4104 | 100 kOhm | 5% 0.25W | |
| | R...120 | 57.11.4104 | 100 kOhm | 5% 0.25W | |
| | R...121 | 57.11.4104 | 100 kOhm | 5% 0.25W | |

S T U D E R (03) 84/12/01 TA HL-ST-INPUT-UNIT-B-4CH/8CH 1.912.141.00 PAGE 6

| IND. | POS.NO. | PART NO. | VALUE | SPECIFICATIONS / EQUIVALENT | MANUF. |
|------|---------|--------------|-----------|-------------------------------|-------------------|
| | R...122 | 57.11.4682 | 6.8 kOhm | 5% 0.25W | |
| | R...123 | 57.11.4330 | 33 Ohm | 5% 0.25W | |
| | R...124 | 57.11.4333 | 33 kOhm | 5% 0.25W | |
| | R...125 | 57.11.3153 | 15 kOhm | 1% 0.25W | |
| | R...126 | 57.11.4333 | 33 kOhm | 5% 0.25W | |
| | R...127 | 1.010.004.58 | 10 kOhm | 10% pos.log.variable resistor | St |
| | R...128 | 57.11.4682 | 6.8 kOhm | 5% 0.25W | |
| | R...129 | 57.11.3132 | 1.3 kOhm | 5% 0.25W | |
| | R...130 | 57.11.4332 | 3.3 kOhm | 5% 0.25W | |
| | R...131 | 57.11.4472 | 4.7 kOhm | 5% 0.25W | |
| | R...132 | 57.11.4333 | 33 kOhm | 5% 0.25W | |
| | R...133 | 57.11.4332 | 3.3 kOhm | 5% 0.25W | |
| | R...134 | 57.11.4332 | 3.3 kOhm | 5% 0.25W | |
| | R...135 | 57.11.4333 | 33 kOhm | 5% 0.25W | |
| | R...136 | 57.11.4472 | 4.7 kOhm | 5% 0.25W | |
| | R...137 | 57.11.4393 | 39 kOhm | 5% 0.25W | |
| | R...138 | 57.11.4333 | 33 kOhm | 5% 0.25W | |
| | R...139 | 57.11.4472 | 4.7 kOhm | 5% 0.25W | |
| | R...140 | 57.11.4333 | 33 kOhm | 5% 0.25W | |
| | R...141 | 1.010.008.58 | 10 kOhm | 10% pos.log.variable resistor | St |
| | R...142 | 57.11.4332 | 3.3 kOhm | 5% 0.25W | |
| (01) | R...143 | | not used | | |
| (01) | R...144 | | not used | | |
| (01) | R...145 | | not used | | |
| (01) | R...146 | | not used | | |
| | R...147 | | 33 kOhm | 5% 0.25W | 57114333 option 2 |
| | R...148 | 57.11.4332 | 3.3 kOhm | 5% 0.25W | |
| | R...149 | 57.11.4104 | 100 kOhm | 5% 0.25W | |
| | R...150 | 57.11.4104 | 100 kOhm | 5% 0.25W | |
| | R...151 | 57.11.4104 | 100 kOhm | 5% 0.25W | |
| | R...152 | 57.11.4104 | 100 kOhm | 5% 0.25W | |
| | R...153 | 57.11.4332 | 3.3 kOhm | 5% 0.25W | |
| | R...154 | 57.11.4104 | 100 kOhm | 5% 0.25W | |
| | R...155 | 57.11.4104 | 100 kOhm | 5% 0.25W | |
| | R...156 | 57.11.4104 | 100 kOhm | 5% 0.25W | |
| | R...157 | 57.11.4104 | 100 kOhm | 5% 0.25W | |
| | R...158 | 57.11.4332 | *3.3 kOhm | 5% 0.25W | |

S T U D E R (03) 84/12/01 TA HL-ST-INPUT-UNIT-B-4CH/8CH 1.912.141.00 PAGE 7

| IND. | POS.NO. | PART NO. | VALUE | SPECIFICATIONS / EQUIVALENT | MANUF. |
|------|---------|--------------|-----------|------------------------------|--------|
| | R...159 | 57.11.4104 | *100 kOhm | 5% 0.25W | |
| | R...160 | 57.11.4104 | *100 kOhm | 5% 0.25W | |
| | R...161 | 57.11.4104 | *100 kOhm | 5% 0.25W | |
| | R...162 | 57.11.4104 | *100 kOhm | 5% 0.25W | |
| | R...163 | 57.11.4332 | *3.3 kOhm | 5% 0.25W | |
| | R...164 | 57.11.4104 | *100 kOhm | 5% 0.25W | |
| | R...165 | 57.11.4104 | *100 kOhm | 5% 0.25W | |
| | R...166 | 57.11.4104 | *100 kOhm | 5% 0.25W | |
| | R...167 | 57.11.4104 | *100 kOhm | 5% 0.25W | |
| | R...168 | 57.11.4103 | 10 kOhm | 5% 0.25W | |
| | R...169 | 57.11.4104 | 100 kOhm | 5% 0.25W | |
| | R...170 | 57.11.4104 | 100 kOhm | 5% 0.25W | |
| | R...171 | 57.11.4103 | 10 kOhm | 5% 0.25W | |
| | R...172 | 57.11.4104 | 100 kOhm | 5% 0.25W | |
| | R...173 | 57.11.4104 | 100 kOhm | 5% 0.25W | |
| | R...174 | 57.11.4104 | 100 kOhm | 5% 0.25W | |
| | R...175 | 57.11.4332 | 3.3 kOhm | 5% 0.25W | |
| | R...176 | 57.11.3362 | 3.6 kOhm | 5% 0.25W | |
| | R...201 | 57.11.3152 | 1.5 kOhm | 1% 0.25W | |
| | R...202 | 57.11.3392 | 3.9 kOhm | 1% 0.25W | |
| | R...203 | 57.11.3152 | 1.5 kOhm | 1% 0.25W | |
| | R...204 | 57.11.3392 | 3.9 kOhm | 1% 0.25W | |
| (01) | R...205 | 57.11.3392 | 3.9 kOhm | 5% 0.25W | |
| | R...206 | 57.11.4331 | 330 Ohm | 5% 0.25W | |
| | R...207 | 57.11.4472 | 4.7 kOhm | 5% 0.25W | |
| | R...208 | 57.11.3153 | 15 kOhm | 5% 0.25W | |
| | R...209 | 58.01.8502 | 5 kOhm | 10% | |
| | R...210 | 57.11.4122 | 1.2 kOhm | 5% 0.25W | |
| | R...211 | 57.11.4472 | 4.7 kOhm | 5% 0.25W | |
| | R...212 | 57.11.3132 | 1.3 kOhm | 5% 0.25W | |
| (01) | R...213 | 1.010.007.58 | 10 kOhm | 20% lin. combined with R 113 | St |
| | R...214 | 57.11.3132 | 1.3 kOhm | 5% 0.25W | |
| | R...215 | 57.11.4472 | 4.7 kOhm | 5% 0.25W | |
| | R...216 | 57.11.4333 | 33 kOhm | 5% 0.25W | |
| | R...217 | 57.11.4682 | 6.8 kOhm | 5% 0.25W | |
| | R...218 | 57.11.4104 | 100 kOhm | 5% 0.25W | |
| | R...219 | 57.11.4104 | 100 kOhm | 5% 0.25W | |

S T U D E R (03) 84/12/01 TA HL-ST-INPUT-UNIT-B-4CH/8CH 1.912.141.00 PAGE 8

| IND. | POS.NO. | PART NO. | VALUE | SPECIFICATIONS / EQUIVALENT | MANUF. |
|------|---------|--------------|----------|-------------------------------|--------|
| | R...220 | 57.11.4104 | 100 kOhm | 5% 0.25W | |
| | R...221 | 57.11.4104 | 100 kOhm | 5% 0.25W | |
| | R...222 | 57.11.4682 | 6.8 kOhm | 5% 0.25W | |
| | R...223 | 57.11.4330 | 33 Ohm | 5% 0.25W | |
| | R...224 | 57.11.4333 | 33 kOhm | 5% 0.25W | |
| | R...225 | 57.11.3153 | 15 kOhm | 1% 0.25W | |
| | R...226 | 57.11.4333 | 33 kOhm | 5% 0.25W | |
| | R...227 | 1.010.004.58 | 10 kOhm | 10% pos.log.variable resistor | St |
| | R...228 | 57.11.4682 | 6.8 kOhm | 5% 0.25W | |
| | R...229 | 57.11.3132 | 1.3 kOhm | 5% 0.25W | |
| | R...230 | 57.11.4332 | 3.3 kOhm | 5% 0.25W | |
| | R...231 | 57.11.4472 | 4.7 kOhm | 5% 0.25W | |
| | R...232 | 57.11.4333 | 33 kOhm | 5% 0.25W | |
| | R...233 | 57.11.4332 | 3.3 kOhm | 5% 0.25W | |
| | R...234 | 57.11.4332 | 3.3 kOhm | 5% 0.25W | |
| | R...235 | 57.11.4333 | 33 kOhm | 5% 0.25W | |
| | R...236 | 57.11.4472 | 4.7 kOhm | 5% 0.25W | |
| | R...237 | 57.11.4393 | 39 kOhm | 5% 0.25W | |
| | R...238 | 57.11.4333 | 33 kOhm | 5% 0.25W | |
| | R...239 | 57.11.4472 | 4.7 kOhm | 5% 0.25W | |
| | R...240 | 57.11.4333 | 33 kOhm | 5% 0.25W | |
| | R...241 | 1.010.008.58 | 10 kOhm | 10% pos.log.variable resistor | St |
| | R...242 | 57.11.4332 | 3.3 kOhm | 5% 0.25W | |
| (01) | R...243 | | not used | | |
| (01) | R...244 | | not used | | |
| (01) | R...245 | | not used | | |
| (01) | R...246 | | not used | | |
| (01) | R...247 | | not used | | |
| | R...248 | 57.11.4332 | 3.3 kOhm | 5% 0.25W | |
| | R...249 | 57.11.4104 | 100 kOhm | 5% 0.25W | |
| | R...250 | 57.11.4104 | 100 kOhm | 5% 0.25W | |
| | R...251 | 57.11.4104 | 100 kOhm | 5% 0.25W | |
| | R...252 | 57.11.4104 | 100 kOhm | 5% 0.25W | |
| | R...253 | 57.11.4332 | 3.3 kOhm | 5% 0.25W | |
| | R...254 | 57.11.4104 | 100 kOhm | 5% 0.25W | |
| | R...255 | 57.11.4104 | 100 kOhm | 5% 0.25W | |
| | R...256 | 57.11.4104 | 100 kOhm | 5% 0.25W | |

S T U D E R (03) 84/12/01 TA HL-ST-INPUT-UNIT-B-4CH/8CH 1.912.141.00 PAGE 9

| IND. | POS.NO. | PART NO. | VALUE | SPECIFICATIONS / EQUIVALENT | MANUF. |
|------|---------|------------|-----------|-----------------------------|--------|
| | R...257 | 57.11.4104 | 100 kOhm | 5% 0.25W | |
| | R...258 | 57.11.4332 | *3.3 kOhm | 5% 0.25W | |
| | R...259 | 57.11.4104 | *100 kOhm | 5% 0.25W | |
| | R...260 | 57.11.4104 | *100 kOhm | 5% 0.25W | |
| | R...261 | 57.11.4104 | *100 kOhm | 5% 0.25W | |
| | R...262 | 57.11.4104 | *100 kOhm | 5% 0.25W | |
| | R...263 | 57.11.4332 | *3.3 kOhm | 5% 0.25W | |
| | R...264 | 57.11.4104 | *100 kOhm | 5% 0.25W | |
| | R...265 | 57.11.4104 | *100 kOhm | 5% 0.25W | |
| | R...266 | 57.11.4104 | *100 kOhm | 5% 0.25W | |
| | R...267 | 57.11.4104 | *100 kOhm | 5% 0.25W | |
| | R...268 | 57.11.4103 | 10 kOhm | 5% 0.25W | |
| | R...269 | 57.11.4104 | 100 kOhm | 5% 0.25W | |
| | R...270 | 57.11.4104 | 100 kOhm | 5% 0.25W | |
| | R...271 | 57.11.4103 | 10 kOhm | 5% 0.25W | |
| | R...272 | 57.11.4104 | 100 kOhm | 5% 0.25W | |
| | R...273 | 57.11.4104 | 100 kOhm | 5% 0.25W | |
| | R...274 | 57.11.4104 | 100 kOhm | 5% 0.25W | |
| | R...275 | 57.11.4332 | 3.3 kOhm | 5% 0.25W | |
| | R...276 | 57.11.3362 | 3.6 kOhm | 5% 0.25W | |
| | R...301 | 57.11.3472 | 4.7 kOhm | 1% 0.25W | |
| | R...302 | 57.11.3472 | 4.7 kOhm | 1% 0.25W | |
| | R...303 | 57.11.3473 | 47 kOhm | 1% 0.25W | |
| | R...304 | 57.11.3473 | 47 kOhm | 1% 0.25W | |
| | R...305 | 57.11.4333 | 33 kOhm | 5% 0.25W | |
| | R...307 | 57.11.3202 | 2 kOhm | 1% 0.25W | |
| | R...308 | 57.11.4104 | 100 kOhm | 5% 0.25W | |
| | R...309 | 57.11.4104 | 100 kOhm | 5% 0.25W | |
| | R...310 | 57.11.4104 | 100 kOhm | 5% 0.25W | |
| | R...311 | 57.11.4105 | 1 MOhm | 5% 0.25W | |
| | R...312 | 57.11.4104 | 100 kOhm | 5% 0.25W | |
| | R...313 | 57.11.4104 | 100 kOhm | 5% 0.25W | |
| | R...314 | 57.11.4104 | 100 kOhm | 5% 0.25W | |
| | R...315 | 57.11.4105 | 1 MOhm | 5% 0.25W | |
| | R...316 | 57.11.4104 | 100 kOhm | 5% 0.25W | |
| | R...317 | 57.11.4104 | 100 kOhm | 5% 0.25W | |
| | R...318 | 57.11.4102 | 1 kOhm | 5% 0.25W | |

S T U D E R (03) 84/12/01 TA HL-ST-INPUT-UNIT-B-4CH/8CH 1.912.141.00 PAGE 10

| IND. | POS.NO. | PART NO. | VALUE | SPECIFICATIONS / EQUIVALENT | MANUF. |
|------|---------|--------------|-----------|-------------------------------|--------|
| | R...319 | 57.11.4331 | 330 Ohm | 5% 0.25W | |
| | R...320 | 57.11.4103 | 10 kOhm | 5% 0.25W | |
| | R...321 | 57.11.4335 | 3.3 MOhm | 5% 0.25W | |
| | R...322 | 57.11.4104 | 100 kOhm | 5% 0.25W | |
| | R...323 | 57.11.4104 | 100 kOhm | 5% 0.25W | |
| (01) | R...324 | | not used | | |
| (01) | R...325 | | not used | | |
| (01) | R...326 | | not used | | |
| (01) | R...327 | 57.11.4105 | 1 MOhm | 5% 0.25W | |
| (01) | R...328 | | not used | | |
| | R...329 | 57.11.4331 | 330 Ohm | 5% 0.25W | |
| | R...330 | 57.11.4103 | 10 kOhm | 5% 0.25W | |
| | R...331 | 57.11.4681 | 680 Ohm | 5% 0.25W | |
| | R...332 | 57.11.4102 | 1 kOhm | 5% 0.25W | |
| | R...333 | 1.369.150.03 | 10 kOhm | 20% pos.log.variable resistor | St |
| | R...334 | 1.369.150.03 | 10 kOhm | 20% pos.log.variable resistor | St |
| | R...335 | 1.369.150.03 | 10 kOhm | 20% pos.log.variable resistor | St |
| | R...336 | 57.11.4332 | 3.3 kOhm | 5% 0.25W | |
| | R...337 | 57.11.4332 | 3.3 kOhm | 5% 0.25W | |
| | R...338 | 57.11.4332 | 3.3 kOhm | 5% 0.25W | |
| | R...339 | 57.11.4471 | 470 Ohm | 5% 0.25W | |
| | R...340 | 57.99.0209 | 5.6 Ohm | PTC Philips Nr.2322 662 91005 | |
| | R...341 | 57.99.0209 | 5.6 Ohm | PTC Philips Nr.2322 662 91005 | |
| | R...342 | 57.99.0209 | 5.6 Ohm | PTC Philips Nr.2322 662 91005 | |
| | R...343 | 57.99.0206 | 50 Ohm | PTC Philips Nr.2322 660 91008 | |
| | R...344 | 57.11.4102 | 1 kOhm | 5% 0.25W | |
| | R...345 | 57.11.4104 | 100 kOhm | 5% 0.25W | |
| (01) | R...346 | | not exist | | |
| (01) | R...401 | | not used | | |
| (01) | R...402 | | not used | | |
| (01) | R...403 | | not used | | |
| (01) | R...404 | | not used | | |
| (01) | R...501 | | not used | | |
| (01) | R...502 | | not used | | |
| (01) | R...503 | | not used | | |
| (01) | R...504 | | not used | | |
| (01) | R...505 | | not used | | |

S T U D E R (03) 84/12/01 TA HL-ST-INPUT-UNIT-B-4CH/8CH 1.912.141.00 PAGE 11

| IND. | POS.NO. | PART NO. | VALUE | SPECIFICATIONS / EQUIVALENT | MANUF. |
|------|---------|--------------|----------|---|--------|
| (01) | R...506 | | not used | | |
| (01) | R...507 | | not used | | |
| (01) | R...508 | | not used | | |
| | S...101 | 55.15.0004 | 4*U | 2u gold button: 55150106 red | |
| | S...102 | | | combined with S101 | |
| | S...103 | 55.15.0002 | * 2*U | button: 55030303 red | ITT |
| | S...104 | 55.15.0002 | 2*U | button: 55030303 red | ITT |
| | S...105 | 55.15.0002 | 2*U | button: 55030303 red | ITT |
| | S...106 | 55.15.0002 | * 2*U | button: 55030303 red | ITT |
| | S...107 | 1.010.008.59 | 1*U | combined with variable resistor R 141/241 | St |
| | S...201 | | | combined with S101 | |
| | S...202 | | | combined with S101 | |
| | S...203 | | * | combined with S103 | |
| | S...204 | | | combined with S104 | |
| | S...205 | | | combined with S105 | |
| | S...206 | | * | combined with S106 | |
| | S...207 | 1.010.008.59 | 1*U | combined with variable resistor R 141/241 | St |
| | S...301 | 1.912.120.03 | 2*U | button: 55030303 red | |
| | S...302 | | | combined with S301 | |
| | S...303 | | 2*U | mutual realising with S301/S302 | |
| | S...304 | | | combined with S303 | |
| | S...305 | 55.15.0012 | 2*U | button: 55150106 red | |
| | S...306 | | | combined with S305 | |
| | S...307 | 1.369.150.03 | 1*U | combined with variable resistor R 333 | St |
| | S...308 | 1.369.150.03 | 1*U | combined with variable resistor R 334 | St |
| | S...309 | 1.369.150.03 | 1*U | combined with variable resistor R 335 | St |
| | T...101 | 1.022.451.00 | | input trafo 1:0.62 | St |
| | T...201 | 1.022.451.00 | | input trafo 1:0.62 | St |
| | W.....1 | | | by 8-CH not equipped | |
| | W.....2 | | | by 8-CH not equipped | |
| | W.....3 | | | by 8-CH not equipped | |
| | W.....4 | | | by 8-CH not equipped | |

(01) XDL.301

S T U D E R (03) 84/12/01 TA HL-ST-INPUT-UNIT-B-4CH/8CH 1.912.141.00 PAGE 12

| IND. | POS.NO. | PART NO. | VALUE | SPECIFICATIONS / EQUIVALENT | MANUF. |
|------|--------------------|--------------|-------|-----------------------------|--------|
| (01) | XDL.302 XDL.... | 1.010.012.50 | | LED-holder | St |

(01) 84/03/01 click suppression of attenuator

(02) 84/10/04 suppression of high frequency

=====
 * ONLY 8-CHANNEL 1.912.143.00
 =====

CE=Ceramic, CF=Carbon Film, EL=Electrolytic, MF=Metal Film,
 PE=Polyester, PP=Polypropylen, PS=Polystyrol

MANUFACTURER: Bu=Burndy, Ex=Exar, Fc=Fairchild, GI=General Instrument
 HP=Hewlett Packard, ITT=Intermetall, Mot=Motorola,
 NS=National Semiconductors, Ph=Philips, Ra=Raytheon,
 Sig=Signetics, Six=Siliconix, St=Studer,
 TI=Texas Instrument

ORIG 83/01/20 (01) 84/03/01 (02) 84/10/04 (03) 84/12/01

S T U D E R (03) 84/12/01 TA HL-ST-INPUT-UNIT-B-4CH/8CH 1.912.141.00 PAGE 13