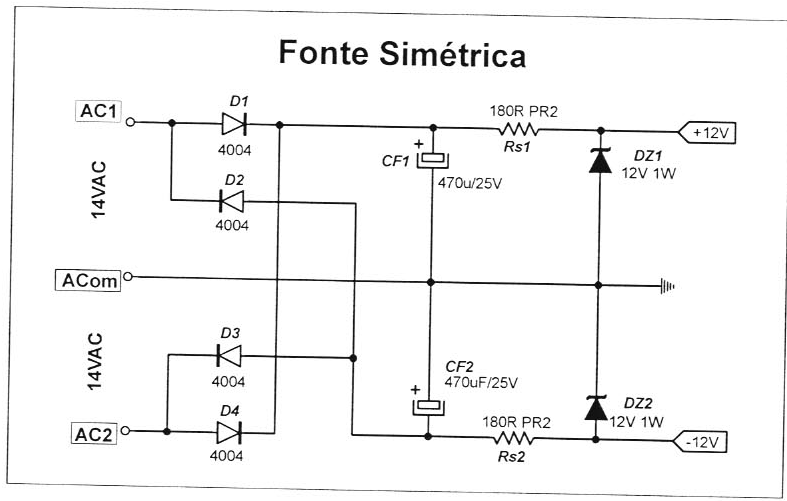
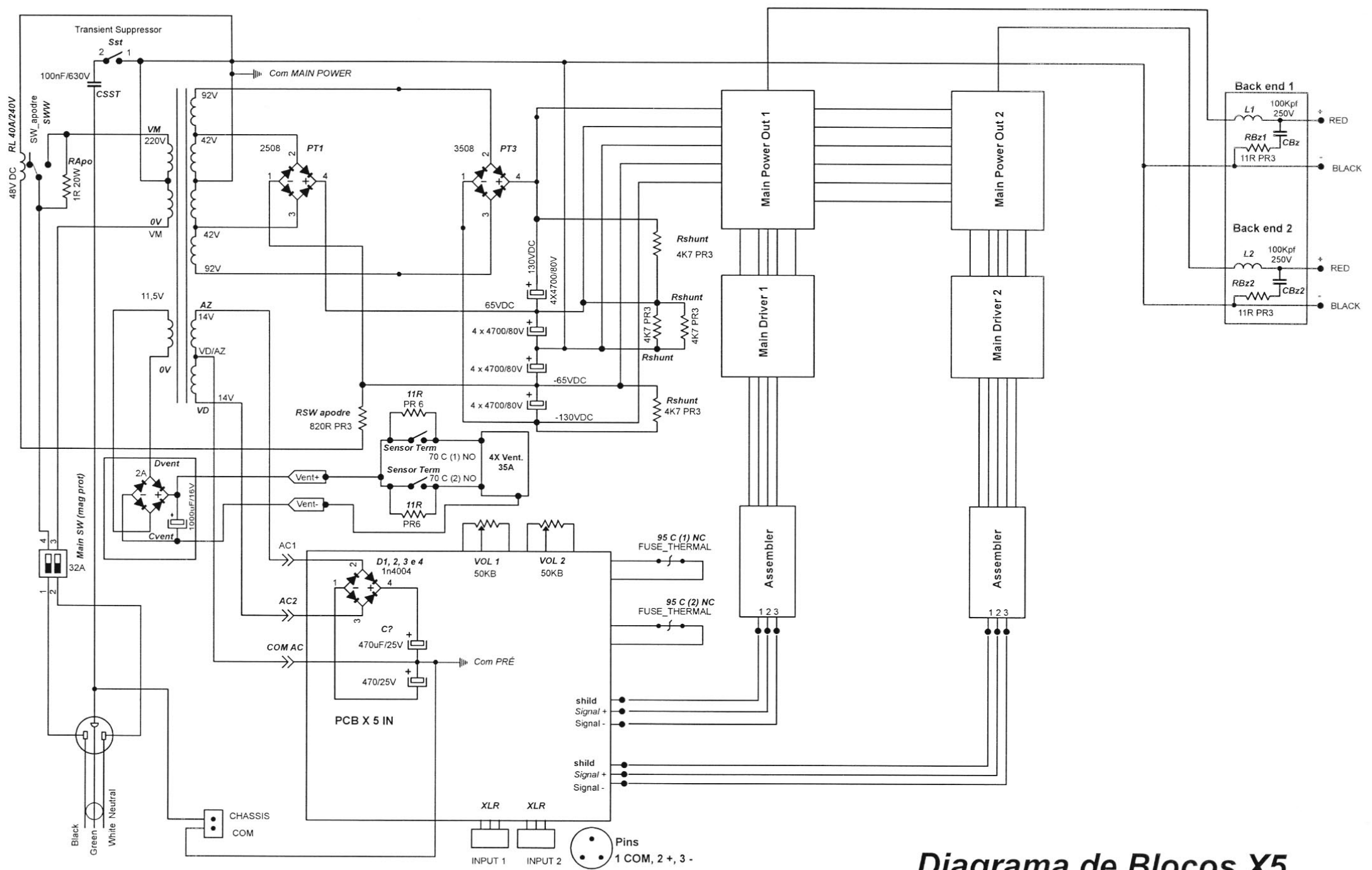


OPT01 do outro canal é alimentado pela fonte negativa

**X5 IN**

**Fonte Simétrica**





**Diagrama de Blocos X5**

# LISTA DE MATERIAL DO X5

CODIGO	DESCRIÇÃO	QTD
<b>PCI - CH-X (Circuito MOS)</b>		
17015	terminal stampex pn 735084-2	4
11021	cc 330pf x 500v	2
10159	rs pr1 150r	8
10035	rs cr25 39k	4
12019	tr bf 423 (philips)	2
11026	cc 220pf x 500v	8
12018	tr bf 422 (philips)	2
11032	cpm 1k8 250v 10% - passo 10mm	4
10158	rs pr2 2k2	4
13184	pci ch-x bk	2
12001	diodo 1n4148	4
10247	rs pr1 8k2	4
10157	rs pr2 330r	8
10017	rs cr25 820r	4
10022	rs cr25 2k7	4
<b>Circuito x</b>		
19134	circuito x	2
<b>PCI - X IN</b>		
11007	ceu 47/25v	2
16036	chave h/h pci begli ref. 166.00-5	1
12103	ci lm833N	4
13180	pci in-x bk 2	1
17052	conector jack estereo isolado	2
12047	photoc,mcd5221L	2
10083	rs mrs25 16K 1%	2
10159	rs pr1 150r	2
10044	rs cr25 330k	2
17060	conector xlr plas feme 90° solda	2
11042	cpm 82k 250v 10% - passo 10mm	6
11134	cpm 470k 63v 5%passo 5mm	4

**LISTA DE MATERIAL DO X5**

<b>CODIGO</b>	<b>DESCRIÇÃO</b>	<b>QTD</b>
10249	rs mrs25 45k3 1%	4
11130	ceu 470/25v	2
10073	rs mrs25 10k 1%	4
12002	diodo 1n4007	4
10074	rs mrs25 100k 1%	8
10018	rs cr25 1k	4
12007	dz 1n 4742 12v 1w	2
16019	pot 50kb c/ click	2
10037	rs cr25 56k	2
10097	rs mrs25 15K 1%	2
11099	cc 12pf x 500v	4
11057	cc 8p2f x 500v / 10pf x 500v	4
<b>PCI - OUT X</b>		
13185	pci out-x bk	2
11086	cpm 100k 400v 10% - passo 10mm	2
10220	rs pr3 33r	6
<b>POWER - DIVERSOS</b>		
13108	pci ponte	1
13099	pci diodo z	1
13191	pci regua trafo	1
12067	diodo mur1540/1560/ fes16gt/15eth06	2
11129	cpm 1uf x 630 (axial)	1
12011	diodo ponte gbpc 2508	1
11024	cc 1kpf x 500v	4
12055	tr mje 15033	2
12056	tr mje 15032	2
12065	tr mjw 21193	18
12066	tr mjw 21194	18
10217	rs pr3 1r	96
12068	tr tip 107	2

**LISTA DE MATERIAL DO X5**

<b>CODIGO</b>	<b>DESCRIÇÃO</b>	<b>QTD</b>
12070	tr tip 122	2
12077	mos irf 5210	4
12078	mos irf 3710 (irf 8010)	4
12087	diodo mur 1620r	2
12101	diodo ponte gbpc 3508	1
14096	vent e7 80x80 12v HL	4
10154	rs pr3 4k7	4
16038	termostato 70°C na	2
14114	tela plástica 80x80	2
13196	pci isolante sub x 5	2
14134	trafo a/5/mx	1
19105	pe de borracha 245	4
19089	knob ad111 cinza	2
18090	cabo pp 3x2,5mm c/plug 2,0m(z)	1
16004	termostat cr.40.2.095c.fj.05	2
17042	prensa cb inst mov st11 (linha Z)	1
17041	borne vermelho/preto z	2
17053	conector 3 pinos p/ bat btm 3to	1
16044	disj duplo siemens b32	1
<b>PCI - SINAL X - PAINEL FRONTAL</b>		
10028	rs cr25 10k	2
12012	led slr 34mg-vd (só MIC)	2
13186	pci vu-x bk	1
12002	diodo 1n4007	6
12118	mpsa 92 (ON)	2
12125	led azul 3mm	3
17015	term stampex pn 735084-2	9
10009	rs cr25 68r	2
<b>SUB H BASS N CLIP</b>		
11029	cc 470pf x 500v	4
10028	rs cr25 10k	8
10025	rs cr25 5k6	2

# LISTA DE MATERIAL DO X5

CODIGO	DESCRIÇÃO	QTD
10033	rs cr25 27k	2
10020	rs cr25 1k8	2
11039	cpm 100k 250v 10% - passo 10mm	6
11080	ceu 10/50v bipolar	4
10014	rs cr25 470r	4
10011	rs cr25 220r	2
10034	rs cr25 33k	4
10116	rs pr1 15k	4
10010	rs cr25 100r	8
10018	rs cr25 1k	4
10123	rs mrs25 3k3 1%	2
10171	rs mrs25 1k2 1%	2
10158	rs pr2 2k2	4
11004	ceu 4,7/63v	4
10142	rs mrs25 680r 1%	4
10141	rs cr25 27r	2
10140	rs cr25 15r	2
10137	rs trim 10 3386f 10k horiz bourns	2
10104	rs mrs25 12k 1%	4
10136	rs trim 10 3386f 1k horiz bourns	2
11026	cc 220pf x 500v	2
10120	rs mrs25 1k3 1%	2
10105	rs cr25 270r	2
10092	rs mrs25 33K 1%	4
10089	rs mrs25 2K7 1%	4
10086	rs mrs25 1K 1%	2
11022	cc 22pf x 500v	4
10073	rs mrs25 10k 1%	4
11005	ceu 10/50v	2
12018	tr bf 422 (philips)	12
17015	term stampex pn 735084-2	42
12073	tr mje 340 (ON)	2



**LISTA DE MATERIAL DO X5**

<b>CODIGO</b>	<b>DESCRIÇÃO</b>	<b>QTD</b>
12056	tr mje 15032	2
11132	ceu 47/25v bipolar	2
12055	tr mje 15033	2
10006	rs cr25 22r	4
13065	pci bd	2
12019	tr bf 423 (philips)	12
13085	pci sub h bass no clip	2
12015	tr bc 337-25	2
12131	dz ruy 12v	4
12002	diodo 1n4007	20
12001	diodo 1n4148	4
11130	ceu 470/25v	4
12050	tr bc 327-25	2
12047	photoc,mcd5221L	2
<b>VENTX</b>		
10027	rs cr25 8k2	1
13183	pci vent-x bk2	1
11093	ceu 1000/16v	2
12002	diodo 1n4007	1
12108	diodo ponte kbpc 1010	1
<b>X FONTE</b>		
10154	rs pr3 4k7	4
11012	ceu 4700/63v	16
13189	pci fonte z4/z5	1
11128	cc 10kpf x 2kv	1
<b>X PWR</b>		
10010	rs cr25 100r	2
10025	rs cr25 5k6	4
13181	pci pwr-x bk	2
12002	diodo 1n4007	8
10077	rs cr25 10r	4

# LISTA DE MATERIAL DO X5

CODIGO	DESCRIÇÃO	QTD
10155	rs pr2 10r	2
10011	rs cr25 220r	2
10053	rs pr2 22r	2
10050	rs cr25 39r	32
50100	cx pa cx 5302002	1
50104	isopor	10
50382	sub painel x5	1
50723	proteção lat z3200	2
50137	dissipador x5	8
50140	dissipador ponte x5	1
50547	tampa sup x5	1
50221	lateral x5	2
50379	painel tras x5	1
50546	tampa inf x5	1
50466	sup disjuntor x	1
50380	painel led x5	1
<b>PARAFUSO</b>		
<b>BASE</b>		
20178	paraf c. red 3/16 x 2 1/2" zp	4
20044	paraf m3x35 pan ph preto	1
20124	paraf m3x12 lent ph pr	8
20119	paraf m3x6 lent ph pr	6
20134	paraf m4x16 lentph pr	1
20118	paraf m3x8 lent ph pr	4
<b>DISSIPADOR</b>		
20002	arr lis 1/8 bicro din 994	36
20008	arr lis m3 preta	20
20019	arr pres m3 bicro	20
20021	arr pres m4 preto	16
20033	paraf m3x10 pan ph bicro	4
20047	paraf m3x8 pan ph bicro	16

# LISTA DE MATERIAL DO X5

CODIGO	DESCRIÇÃO	QTD
20179	paraf m3x16 philips pan bic	2
20119	paraf m3x6 lent ph pr	4
20124	paraf m3x12 lent ph pr	36
20130	paraf aa 3,9x9,5 preto pan ph	32
<b>FECHAMENTO</b>		
20118	paraf m3x8 lent ph pr	14
<b>FONTE</b>		
<b>PARAFUSO</b>		
20069	porca sext m3 bicro	9
20019	arr pres m3 bicro	13
<b>TRASEIRO</b>		
20169	paraf aa 2,9x9,5 pan ph pre	4
20169	paraf aa 2,9x9,5 pan ph pre	2
20136	porca 5/32 x 1/4 zb	8
20130	paraf aa 3,9x9,5 preto pan ph	4
20021	arr pres m4 preto	8
20052	paraf 5/32 x 1 3/4" c. chata pt	8