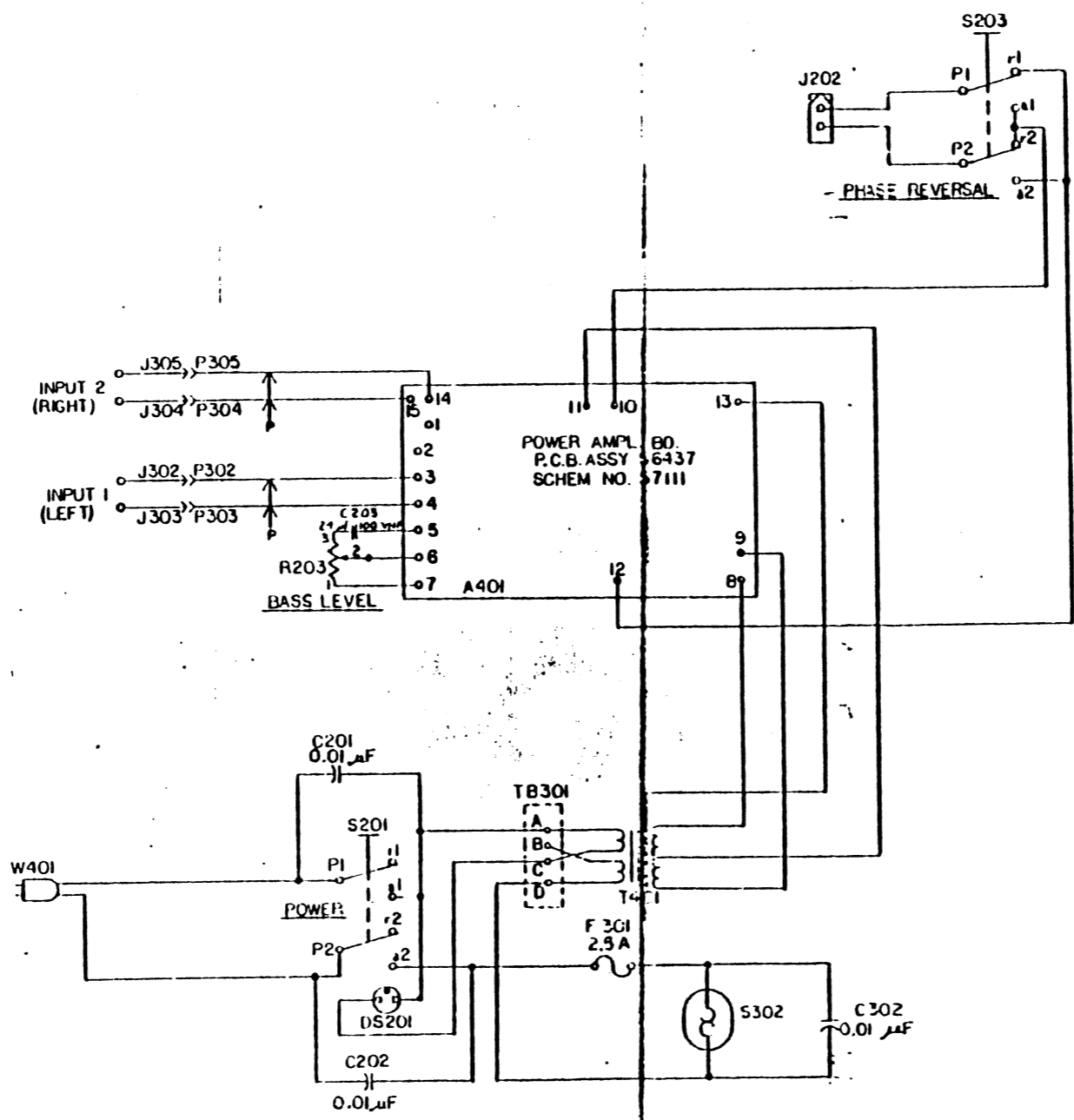


**NOTICE**

THE FOLLOWING  
DCR'S ARE  
OUTSTANDING  
AGAINST THIS  
DRAWING.



3 FOR WIRING DIAGRAM SEE 57185.

2 COMPONENT REFERENCE DESIGNATION CODE - FRONT PANEL 201 & UP  
REAR PANEL 301 & UP  
CHASSIS 401 & UP

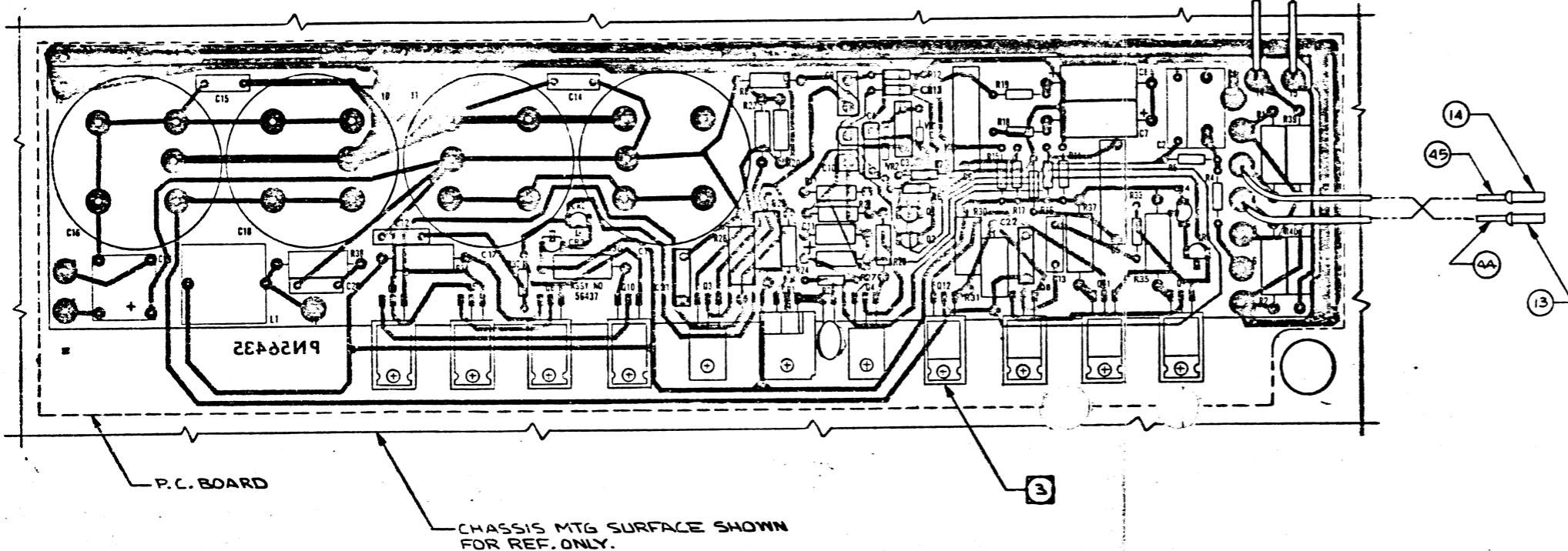
1 CAPACITOR VALUES IN MICROFARADS

NOTES:

DATE		BY		CHECKED		APPROVED		REVISION	
SCHEMATIC, RA DEL 212E									



NOTICE  
 THE FOLLOWING  
 PARTS ARE  
 OBTAINING  
 AGAINST THIS  
 DRAWING



ITEM	PART NUMBER	DESCRIPTION	QTY	REMARKS
48	—			
47	52573	INDUCTOR - 1.9 μH	1	L1
46	—			
45	54510	WIRE, 18AWG - BLK 14" LG	1	MRD54300
44	54502	↑ - RED 14" LG	1	↑
43	54511	↑ - BLK/WHT 14" LG	1	↑
42	54523	WIRE, 18AWG - RED WHT 14" LG	1	MRD54300
41	51430	JUMPER	1	
40	—			
39	55201	TRANSISTOR - MPS4356	1	Q2
38	48340	TRANSISTOR - MPS406	1	Q1
37	56456	DIODE BRIDGE	1	CR6
36	—			
35	52219	DIODE MSD700W	4	CR2THRU CR5
34	52225	DIODE, ZENER	2	VR1, VR2
33	—			
32	48929	CAPACITOR - 1800 pF @ 500V. MRD48418	2	C21, C22
31	56455	↑ - 2500 μF @ 60V.	4	C16, C17, C18, C19
30	53043	↑ - 3300 pF @ 250V, 10%	2	C12, C13
29	47735	↑ - 4.7 μF @ 35V	1	C11
28	48477	↑ - 1000 pF @ 500V, 5% MRD48418	2	C9, C10
27	55172	↑ - 330 μF @ 4V.	2	C7, C8
26	53081	↑ - 1.5 μF @ 250V.	2	C5, C6
25	48434	↑ - 0.22 μF @ 250V	1	C2
24	54998	↑ - 0.1 μF @ 100V, 10%	5	C3, C4, C14, C15, C20
23	48503	CAPACITOR - 1.0 μF @ 100V 10%	1	C1
22	—			
21	36714	RESISTOR - 10 Ω, 1W, 5%	1	R38
20	—			
19	56249	RESISTOR - 0.22 Ω, 2W, 5%	4	R34, R35, R36, R37
18	36430	RESISTOR - 75 Ω, 1/4W, 5%	2	R32, R33
17	—			
16	36763	RESISTOR - 1.2 kΩ, 1W, 5%	4	R18, R19, R30, R31
15	55171	RESISTOR - 4.7 Ω, 1/4W, 5%	1	R27
14	56124	RECEPTACLE	2	
13	56123	RECEPTACLE	2	
12	11507	RESISTOR - 100 Ω, 1/2W, 5%	4	R12, R13, R14, R25
11	12623	RESISTOR - 3.3 kΩ, 1/2W, 5%	2	R20, R21
10	—			
9	36464	RESISTOR - 2 kΩ, 1/4W, 5%	2	R14, R15
8	36436	RESISTOR - 130 Ω, 1/4W, 5%	2	R18, R19
7	35549	RESISTOR - 100 Ω, 1/4W, 5%	4	R12, R13, R16, R17
6	—			
5	10074	RESISTOR - 4.7 kΩ, 1/2W, 5%	2	R8, R11
4	36481	↑ - 10 kΩ, 1/4W, 5%	2	R6, R7
3	36484	↑ - 13 kΩ, 1/4W, 5%	1	R5
2	35585	↑ - 3.3 kΩ, 1/4W, 5%	1	R4
1	36744	RESISTOR - 200 Ω, 1W, 5%	4	R1, R2, R39, R40

ITEM		P.C. BOARD ASSY	
ITEM	QTY	REMARKS	
1	1		
2	1		
3	1		
4	2		
5	2		
6	4		
7	4		
8	2		
9	2		
10			
11	2		
12	4		
13	2		
14	2		
15	1		
16	4		
17			
18	2		
19	4		
20	2		
21	1		
22			
23	1		
24	5		
25	2		
26	2		
27	1		
28	2		
29	1		
30	2		
31	4		
32	2		
33			
34	2		
35	4		
36			
37	1		
38	1		
39	1		
40			
41	1		
42	1		
43	1		
44	1		
45	1		
46			
47	1		
48			

5. NOMINAL VALUE FOR R27: MAY BE VARIED FROM ZERO TO 10 Ω TO ACHIEVE A STABLE IDLE dc POWER CONSUMPTION OF 10 TO 20 W. SEE DWG 36409.

4. NOMINAL VALUE FOR R22: MAY BE VARIED FROM 50 TO 150 Ω TO CORRECT FOR dc OFFSET. SEE DWG 35676.

3. ALL CHASSIS MOUNTED COMPONENTS SHOWN FOR REF. ONLY. FOR MOUNTING DETAIL SEE ASSY 56432.

2. ALL RESISTORS 1 WATT & GREATER MUST BE STOOD OFF BOARD APPROX. 1/8".

1. FOR SCHEMATIC SEE DWG 57111.

NOTES: (UNLESS OTHERWISE SPECIFIED)

DATE		DRAWING NUMBER		REV	
REV		56437		G	
DATE		DATE		DATE	
DATE		DATE		DATE	
DATE		DATE		DATE	

56437

212E