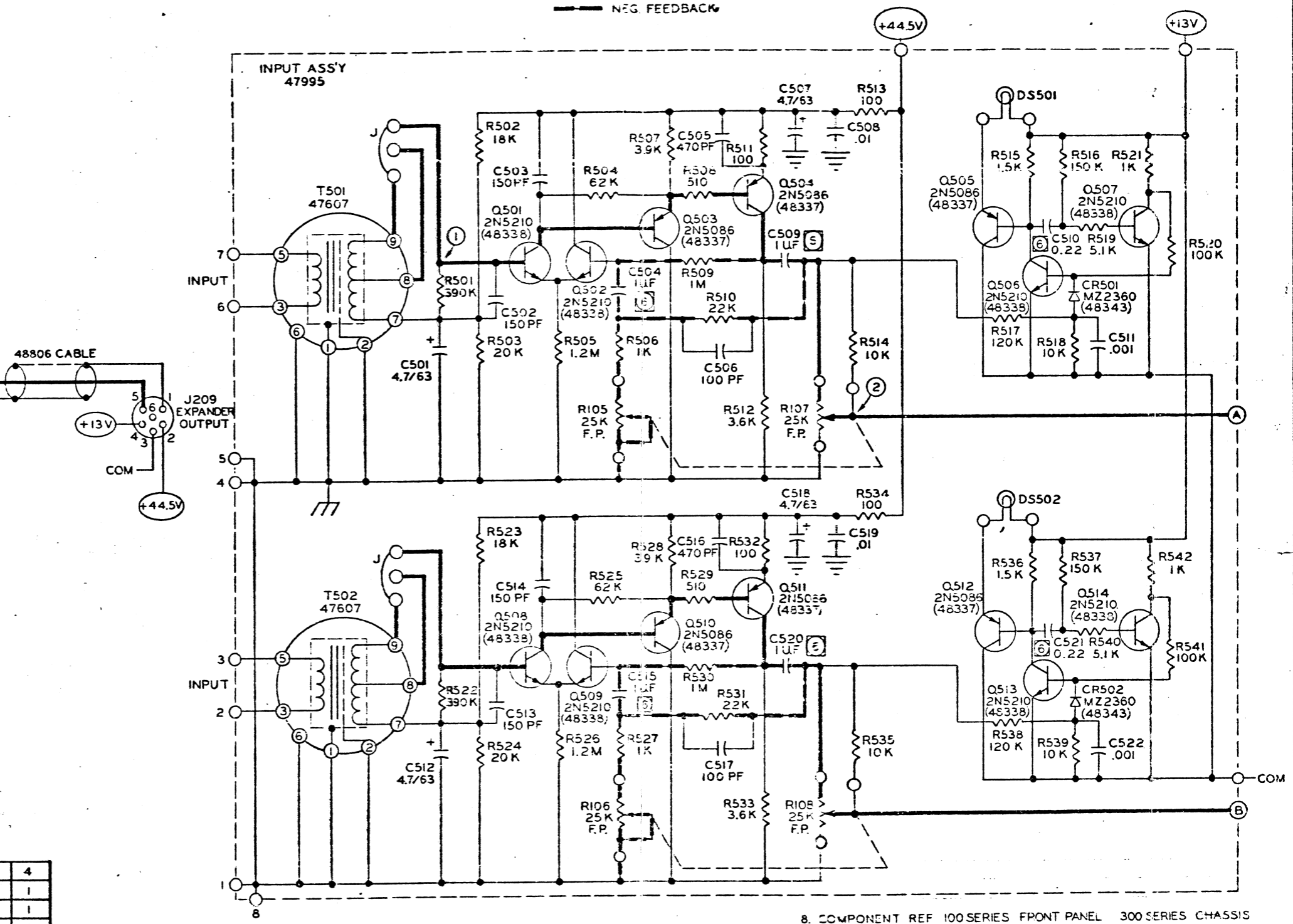
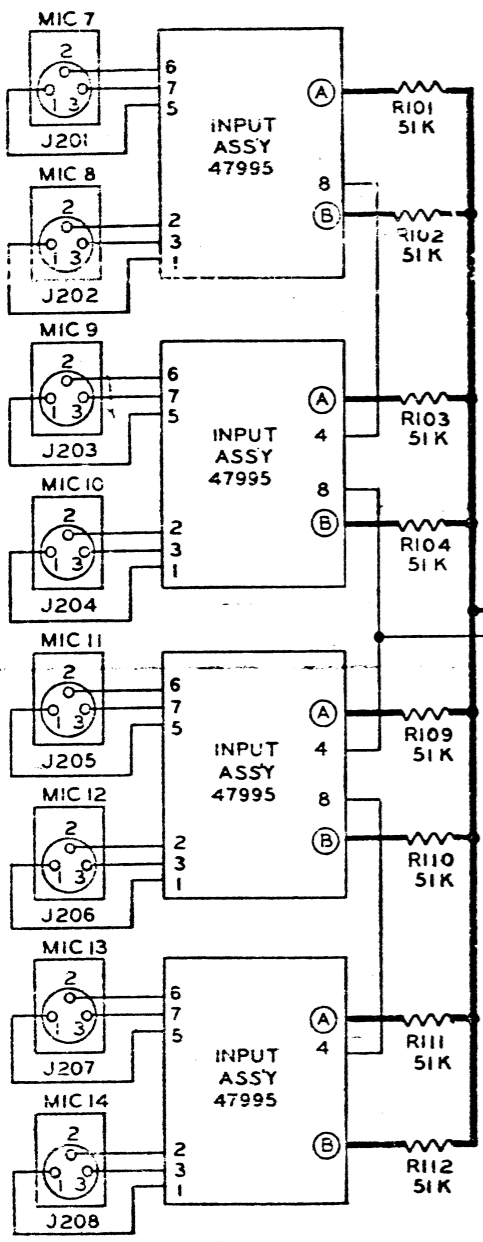


THESE DRAWINGS AND SPECIFICATIONS ARE THE PROPERTY OF JAMES B. LAWING SOUND INC. THEY ARE ISSUED IN STRICT CONFIDENCE AND SHALL NOT BE REPRODUCED, COPIED, OR USED AS THE BASIS FOR MANUFACTURE OR SALE OF APPARATUS WITHOUT PERMISSION.

LAST REV DESIGNATION USED			
R112	C522	CR502	T502
R542	Q514	DS502	J209

TROUBLESHOOT T.P.
 SIGNAL PATH
 NEG. FEEDBACK



21799	WASHER	4
41122	BAG	1
59478	CAUTION LABEL	1
49812	FOILCAL	1
49799	INSULATOR	2
34732	SCREW 6X3/8	16
10042	SCREW 8-32 X 1/4	4
11776	SCREW 6-32 X 3/8	4
47896	SCREW HEX SEMS 6-32 X 5/16	16
48401	RUBBER STRIP	1
49805	BOTTOM COVER MRD 49801	1
48837	TOP COVER MRD 48834	1
47995	MIC ED ASSY	4
48810	SHELF ASSY	1
48811	FRONT PANEL ASSY	1
48808	CHASSIS ASSY	1

(6) DENOTES MYLAR FILM CAPACITOR
 5. FOR TEST SPECS. SEE DWG. 48816REV1
 4. APPROVED SAMPLE MODEL 5308 CURRENT REVISION MAINTAINED IN MFG DEPT.
 3. JBL RESERVES THE RIGHT TO MAKE MINOR COMPONENT CHANGES WITHOUT NOTICE
 2. CAPACITORS IN UFD. THOSE OVER 1.0UFD ARE POLARIZED ELECTROLYTICS, POLARITY SHOWN
 1. RESISTORS IN OHMS, 1/2W, 5%
 NOTES: (UNLESS OTHERWISE SPECIFIED)

8. COMPONENT REF 100SERIES FRONT PANEL 300SERIES CHASSIS DESIGNATION: 200 BACK PANEL 400 L.P. PC BOARDS
 7. FA 2N FAMILY OR HOUSE NUMBERED DEVICE WILL WORK IN THE CIRCUIT WITHOUT SELECTION, THE NUMBER WILL APPEAR ON THE SCHEMATIC AS THE PRIMARY NUMBER AND THE JBL PART NUMBER WILL APPEAR BELOW IN PARENTHESES. IF THE DEVICE IS A SPECIAL SELECTION FROM A PARTICULAR FAMILY, THE JBL PART NUMBER WILL APPEAR FIRST WITH THE 2N OR HOUSE NUMBERED DEVICE IN PARENTHESES.

5308

REV	DATE	BY	APP. NAME	APP. DATE	APP. NO.	APP. NAME	APP. DATE	APP. NO.	APP. NAME	APP. DATE	APP. NO.
1	12-72	KS	KS	3/17/72	1	KS	3/17/72	1	KS	3/17/72	1
2											
3											
4											
5											
6											
7											
8											
9											
10											
11											
12											
13											
14											
15											
16											
17											
18											
19											
20											
21											
22											
23											
24											
25											
26											
27											
28											
29											
30											
31											
32											
33											
34											
35											
36											
37											
38											
39											
40											
41											
42											
43											
44											
45											
46											
47											
48											
49											
50											
51											
52											
53											
54											
55											
56											
57											
58											
59											
60											
61											
62											
63											
64											
65											
66											
67											
68											
69											
70											
71											
72											
73											
74											
75											
76											
77											
78											
79											
80											
81											
82											
83											
84											
85											
86											
87											
88											
89											
90											
91											
92											
93											
94											
95											
96											
97											
98											
99											
100											

MFD ITEM, 5308