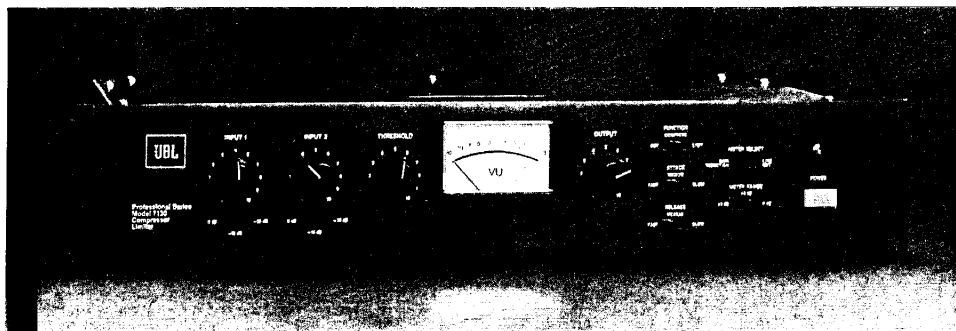


JBL 7130 INSTALLATION AND SERVICE MANUAL



Owners Instructions

Architectural Specifications

The 7130 compressor/limiter shall have an output capacity of +18 dBm from 20 Hz-20 kHz, ± 1 dB and total harmonic distortion shall be less than 0.25% to +18 dBm, 20 Hz-20 kHz in either the compression or limiting mode with up to 30 dB of gain reduction.

The unit shall accept high impedance, unbalanced microphones. The microphone preamplifier circuitry shall employ field effect transistors for low noise. The compressor shall be capable of any combination of line-line, mic-mic, or line-mic operation. Balanced inputs shall be possible by using optional input transformers. Outputs shall be transformer isolated or direct for connection to a balanced or unbalanced 600 Ω line.

The compressor/limiter shall be equipped with a selector switch to place the unit in one of three modes of operation: **OUT**, **COMPRESS**, or **LIMIT**. The normal threshold of compression shall be 0 dBm output. An input level control shall vary the gain when the selector switch is in the **OUT** mode. It shall also determine the relative threshold when the unit is in the **COMPRESS** or **LIMIT** mode. Two switches shall be provided for the selection of three release times and three attack times.

The unit shall be equipped with a meter, governed by a function selector switch, which indicates amount of compression or output level in dB. When indicating output level, three ranges shall be selectable so that 0 VU on the meter corresponds to an output level of 0 dBm, +4 dBm, or +8 dBm, unbalanced, and +2 dBm, +6 dBm, or +10 dBm balanced output. The unit shall operate on 120/240 V AC, 50/60 Hz.

The unit shall be JBL Model 7130.

JBL continually engages in research related to product improvement. New materials, production methods and design refinements are introduced into existing products without notice as to routine expression of the philosophy. For this reason, any current JBL product may differ in some respects from its published description, but will always equal or exceed the original design specifications unless otherwise stated.

PRODUCT SPECIFICATIONS

Maximum Gain

Direct Input (Unbalanced) ¹	
Line	30 dB, high Z
Microphone	62 dB, high Z
Balanced Input ¹	
Line with 5195 Transformer	84 dB, low Z
Microphone with 5901 Transformer	30 dB, high Z

Output Characteristics

Output Impedance	
Direct	40-80 Ω , unbalanced (20 Hz-20 kHz)
Balanced	400-600 Ω (20-20 kHz)
Maximum Output Level	+18 dBm

Input Characteristics

Input Impedance	
Direct Input (Unbalanced)	
Line	15 k Ω
Microphone	51 k Ω
Balanced Input	
Line with 5195 Transformer	15 k Ω
Microphone with 5901 Transformer	800 Ω

Normal Input Level

Direct Input (Unbalanced) ¹	
Line	170 mV RMS minimum (-13.5 dBm)
Microphone	
Input Pad 0	5.4 mV RMS minimum (-41.5 dBm) ¹
Input Pad -15	30 mV RMS minimum (-28.1 dBm)
Input Pad -30	163 mV RMS minimum (-13.1 dBm)
Balanced Input ¹	
Line with 5195 Transformer	190 mV RMS minimum (-12.5 dBm)
Microphone ¹	
Input Pad 0	0.38 mV RMS minimum (-66.2 dBm)
Input Pad -15	2.15 mV RMS minimum (-51.2 dBm)
Input Pad -30	11.8 mV RMS minimum (-36.2 dBm)

Input Overload²

Direct Input (Unbalanced)	
Line	11.5 V RMS (+23.5 dBm)
Microphone	
Input Pad 0	120 mV RMS (-16.2 dBm)
Input Pad -15	650 mV RMS (-1.2 dBm)
Input Pad -30	3.65 V RMS (+13.5 dBm)
Balanced Input	
Line with 5195 Transformer	3.32 V (+13.5 dBm)
Microphone	
Input Pad 0	9.2 mV RMS (-39.5 dBm)
Input Pad -15	53 mV RMS (-24.5 dBm)
Input Pad -30	270 mV RMS (-9.5 dBm)

Frequency Response

Direct Output ¹	
Direct Input	
Line	+0, -1 dB, 10 Hz-50 kHz
Microphone	+0.25, -1 dB, 10 Hz-47 kHz
Balanced Input ¹	
Line with 5195 Transformer	+1, -2 dB, 30 Hz-20 kHz
Microphone with 5901 Transformer	+1, -2 dB, 30 Hz-20 kHz
Balanced Output	
Direct Input ¹	
Line	+0, -1 dB, 10 Hz-30 kHz
Microphone	+0, -1 dB, 10 Hz-28 kHz
Balanced Input ¹	
Line with 5195 Transformer	+1, -2 dB, 10 Hz-20 kHz
Microphone with 5901 Transformer	+1, -2 dB, 30 Hz-20 kHz

Total Harmonic Distortion³

0.2%, 20 Hz-20 kHz
@ rated output

Intermodulation Distortion^{1,4} (SMPTE)

Direct Out	
Direct Input (unbalanced)	
Line	0.005%
Microphone	0.03%
Balanced Input	
Line	0.007%
Microphone	0.06%
Balanced Output	
Direct Input (unbalanced)	
Line	0.0065%
Microphone	0.06%
Balanced Input	
Line	0.0085%
Microphone	0.06%

Equivalent Input Noise^{3,5}

Direct Input ¹	
Line	-100 dBm
Microphone	-126 dBm

Balanced Input ¹	
Line with 5195 Transformer	-99 dBm
Microphone with 5901 Transformer	133.5 dBm
Compress/Limiter Functions	
Attack Time	
Fast	400 μ s
Medium	3.0 ms
Slow	140 ms
Release Time	
Fast	30 dB/s
Medium	8 dB/s
Slow	4 dB/s
Controls	
Input 1 & 2	Audio taper, rotary
Output	Audio taper, rotary
Threshold	Audio taper, rotary
Attack	3-position slide switch
	Fast
	Medium
	Slow
Function	3-position slide switch
	Out
	Compress
	Limit
Meter Range	3-position slide switch
	0 dB
	+4 dB
	+8 dB
Meter Select	2-position slide switch gain reduction
	Line out
Microphone Attenuator	3-position slide switch
	0 dB
	-15 dB
	-30 dB
Release	3-position slide switch
	Fast
	Medium
	Slow
Mic 1/Line & Mic 2/Line	Push-lock/push-release
Indicators	
Power On	Green LED
Meter	Illuminated
Power Requirements	
Line Voltage	120/240 V AC, 50/60 Hz
Wattage	15 watts maximum
Connectors	
Line Input(2)	Screw terminal board
Microphone Inputs(2)	Female XL-type socket, positive locking
Output	Screw terminal board
Accessory Transformer	9-pin female socket
Dimensions	
Front Panel	483 mm x 88 mm 19 in x 3 15/32 in
Depth of Controls	19 mm 3/4 in
Depth Behind Panel	178 mm 7 in
Weight	
Net	4 kg 9 lb
Shipping	5.4 kg 12 lb
Mounting	2 EIA standard rack spaces
Panel Finish	Semi-gloss baked enamel, dark gray; white nomenclature
Accessories	
	Model 5195 matching/bridging transformer
	Model 5901 microphone transformer

NOTES: 1. 600 Ω source.
2. Measured at 0.5% THD.
3. ATTACK and RELEASE times set to slow.
4. At +18 dBm.
5. Requires a 20 Hz-20 kHz equivalent bandwidth filter.

Installation

The 7130 is suitable either for rack mounting in two EIA rack spaces without additional bracing or ventilation, or for counter-top placement. A full set of mounting hardware is packaged with each unit. All external connections are made on the rear panel, Figure 2.

Operating Temperature

The maximum allowable ambient temperature for the 7130 is 60°C (140°F).

Operating Controls

All operating switches, meter, threshold and level controls, except for MIC/LINE input selector switches, are located on the front panel, Figure 1.

Input Connections

Input connections to the 7130 may be either direct coupled or transformer isolated at the XL-type sockets or screw terminal boards, Figure 2.

Direct coupling is accomplished by connecting either the center conductor of a shielded cable to **DIRECT** (line input) and the shield to **GND**, or the center conductor of a shielded cable to pin #2 (XL-type connector) and the shield to pin #1.

For transformer isolated inputs, a 5901 universal microphone transformer (for microphone inputs) or a 5195 matching/bridging transformer (for line inputs), Figure 3 and 5, may be used. Transformer isolation is accomplished by connecting the clear conductor of a two conductor shielded cable to **HI** (line input), the black conductor to the **LO** and the shield to **GND**, or the clear conductor of a two conductor shielded cable to pin #3 (XL-type conductor), the black to pin #2 and the shield to pin #1.

Output Connections

Output connections to the 7130 may be either direct coupled or transformer isolated at the screw terminal board, Figure 2.

Direct coupling is accomplished by connecting the center conductor of a shielded cable to **DIRECT** and the shield to **GND**.

Transformer isolated output is accomplished by connecting the clear conductor of a two conductor shielded cable to the **HI**, the black conductor to the **LO** and the shield to **GND**.

Installation of Microphone or Line Transformer

To install the optional transformers, Figure 3 or 5, (Model 5195 or 5901):

1. Remove the two copper jumpers between terminals 8 & 9 and 4 & 5.

NOTE: Remove only the jumpers from the 9-pin socket in which the optional transformer is to be used.

2. Install the optional transformer per Figure 4.

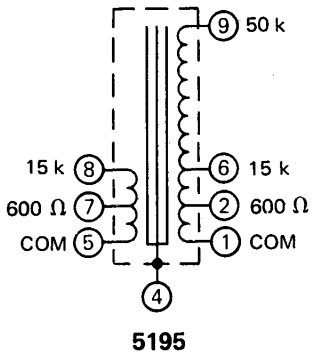


FIGURE 3

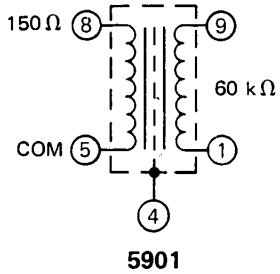
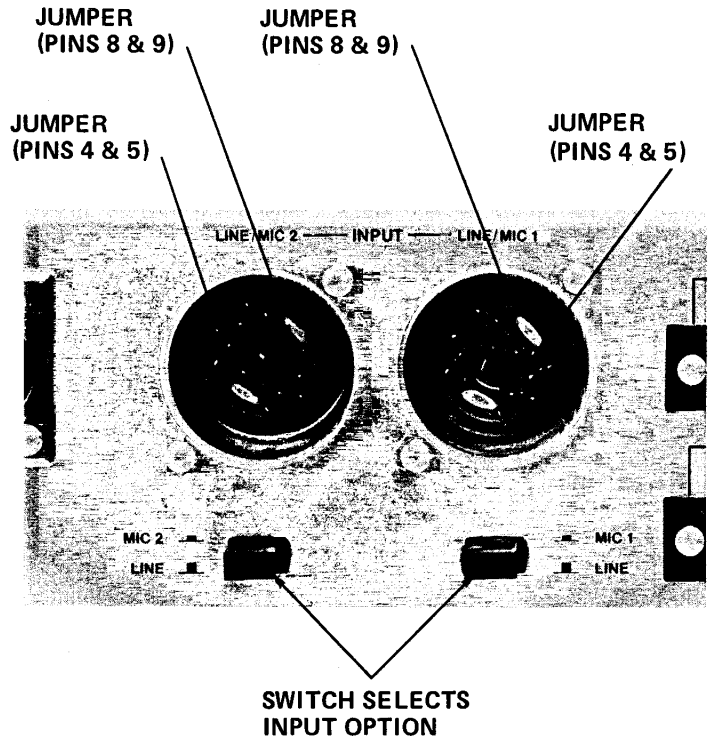
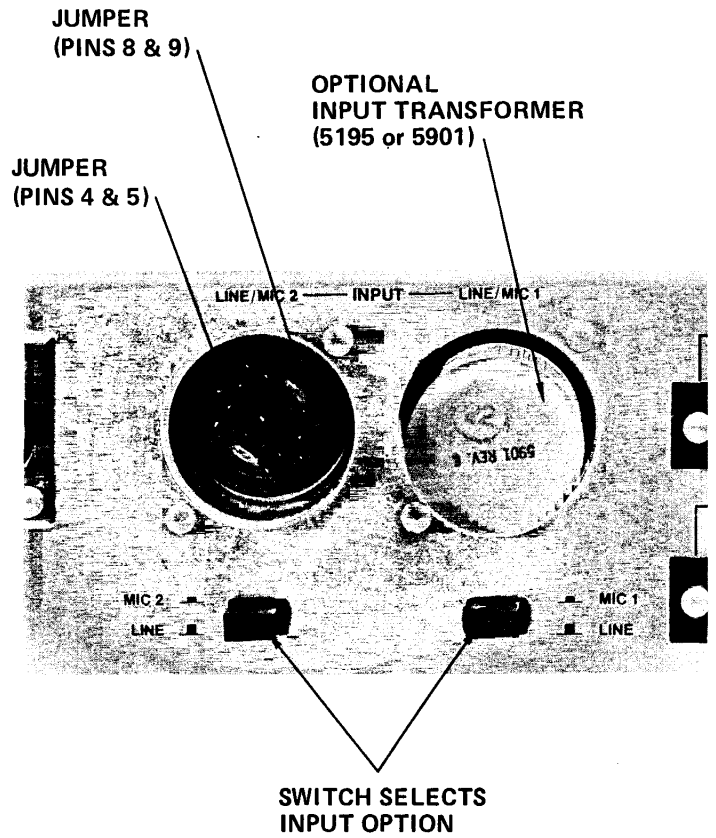


FIGURE 4



JUMPER INSTALLATION

1. Remove the optional transformer from the appropriate 9-pin socket.
2. Install two #12 AWG copper jumpers per Figure 6.

Input 1 Controls either line level or microphone input level depending on position of MIC 1/LINE push-lock/push-release switch.
 NOTE: When either the JBL 5901 or 5195 transformer is used, the INPUT 1 control cannot be used to prevent transformer saturation if excessive input signal levels occur. See SPECIFICATIONS (Input Characteristics) for maximum input.

Input 2 Controls either line level or microphone input level depending on position of MIC 1/LINE push-lock/push-release switch.
 NOTE: When either the JBL 5901 or 5195 transformer is used, the INPUT 2 control cannot be used to prevent transformer saturation if excessive input signal levels occur. See SPECIFICATIONS (Input Characteristics) for maximum input.

Output Provides simultaneous attenuation of all input channels using a continuously variable potentiometer marked from 0 to 10.

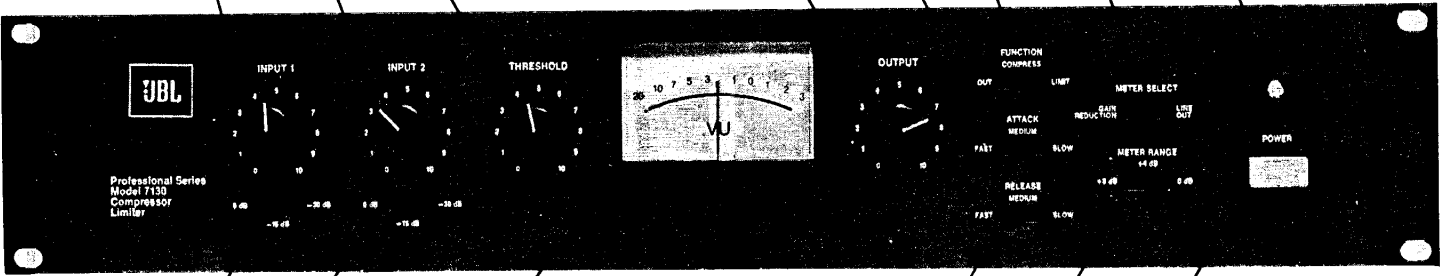
Attack Selects one of three fixed attack times:
 Fast 400 μ s
 Medium 3.0 ms
 Slow 140ms

Function Compress Out Selects any one of three optional modes of 7130

Meter Select Gain Reduction Line Out Selects VU meter function.

Threshold Adjustable control which sets the level above which compression or limiting occurs.

Power Switch Push-Lock/ Push-Release Applies power to 7130.



MIC Attenuator Pad Switches
 0 dB -30 dB
 -15 dB
 Reduces gain 15 dB or 30 dB on corresponding microphone input channels to allow the use of high-impedance microphones without introducing distortion.
 NOTE: The mic attenuator pad changes the feedback in the input stage; it can not be used to prevent input saturation if excessive input signal levels occur, but does not effect possible saturation of optional 5901 universal input transformer.

VU Meter Displays either output or gain reduction in volume units (VU). Meter is illuminated when secondary voltage is applied.

Release Selects one of three fixed release times:
 Fast 400 μ s
 Medium 3.0 ms
 Slow 140ms

Meter Range Selects full-scale range of meter. Calibrated as follows:

METER RANGE	METER DISPLAY	OUTPUT REF. Ω	OUTPUT VOLTAGE
0 dBm	0	0 dBm	0.775 V
+4 dBm	0	+4 dBm	1.129 V
+8 dBm	0	+8 dBm	1.948 V

LED Power On Indicator Light Indicates power applied to unit.

FIGURE 7

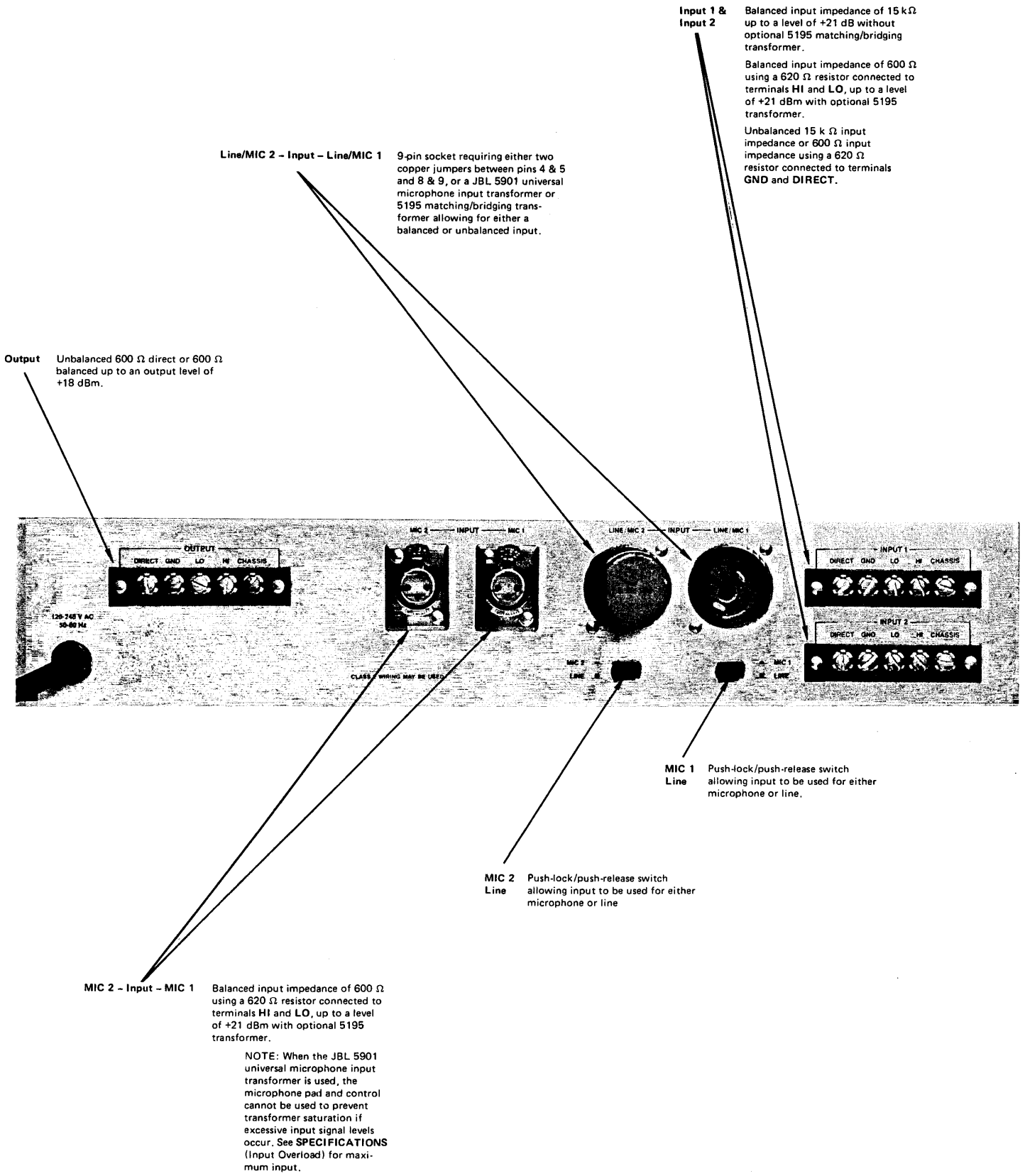
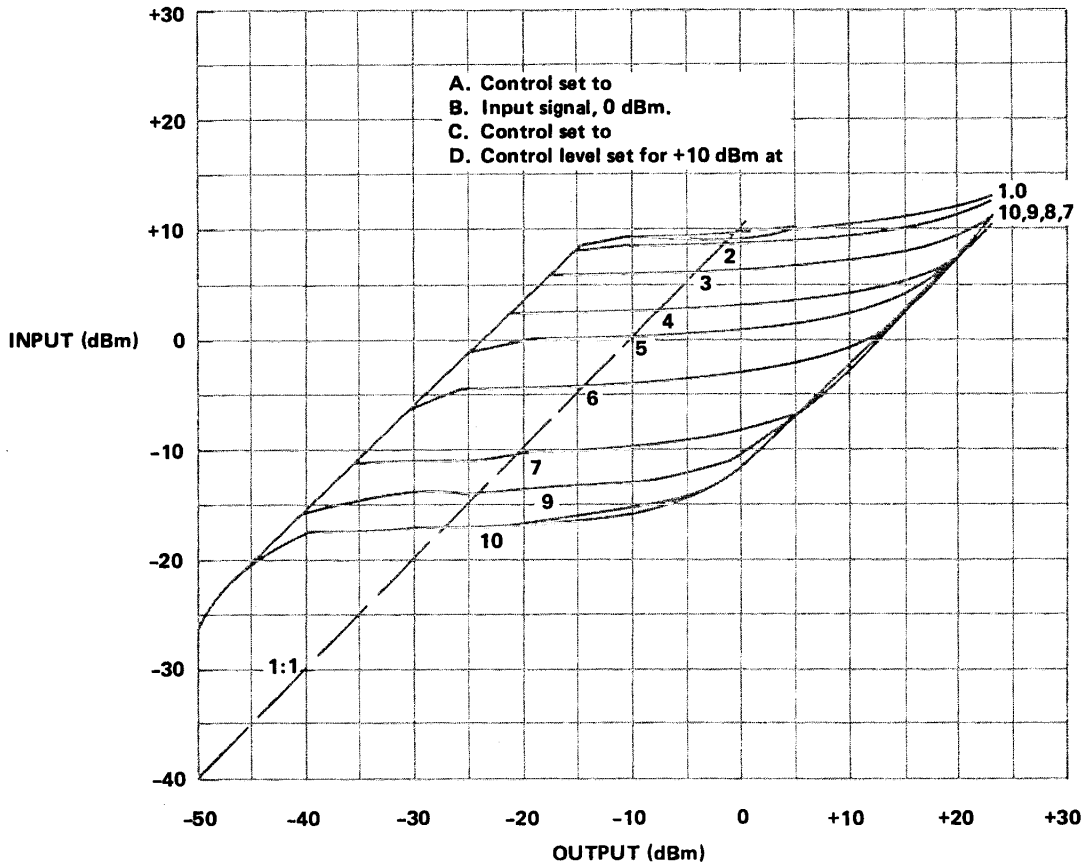
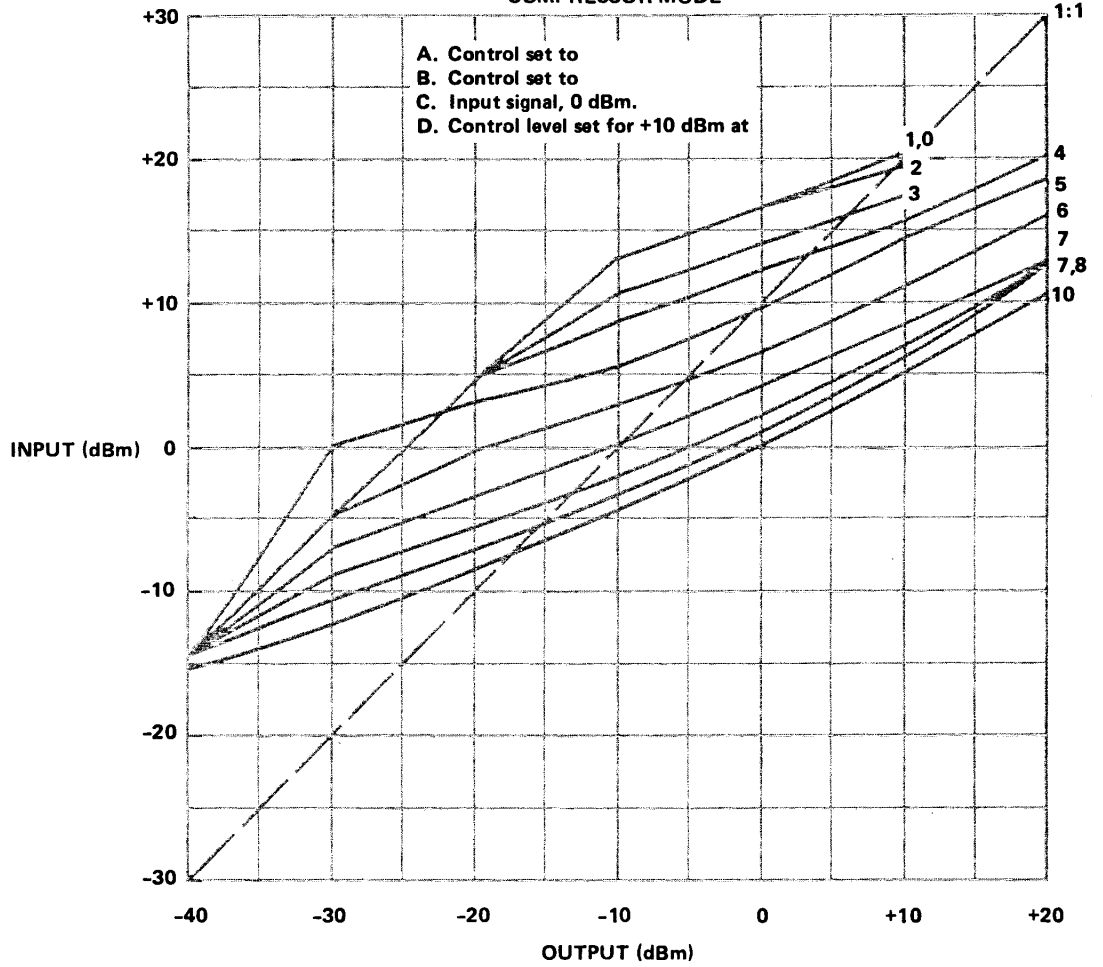


FIGURE 2

LIMITER MODE



COMPRESSOR MODE



WARNING
 THIS SECTION OF THE MANUAL
 CONTAINS SERVICE INSTRUCTIONS
 FOR USE BY QUALIFIED SERVICE
 PERSONNEL ONLY.

Service and Maintenance Instructions

The following procedures are designed to assist in the isolation of malfunctions. The operations described should be undertaken only after an investigation of all external connections and adjustments has indicated, beyond reasonable doubt, that the problem is actually internal.

WARNING: Disconnect the 7130 from the power source before performing service operations or replacing components.

Voltage Conversion

The 7130 can be operated from either 120 V AC or 240 V AC, 50/60 Hz source. The line voltage selector, a Molex commoning connector, Figure 7, changes the primary connections of the power transformer. Use the following procedure to change the voltage range:



MOLEX
 COMMONING
 CONNECTOR

FIGURE 7

1. Remove the four screws which hold the top cover to the chassis.
2. To convert from 120 V AC to 240 V AC, remove only the following wires, shown in Figure 8 and Table 2:
3. Remove the frosted spacers from the commoning connector, spaces 7 and 8.
4. Insert the two colored coded wires removed from step 2, Table 2 and insert them per Figure 9, Table 3:

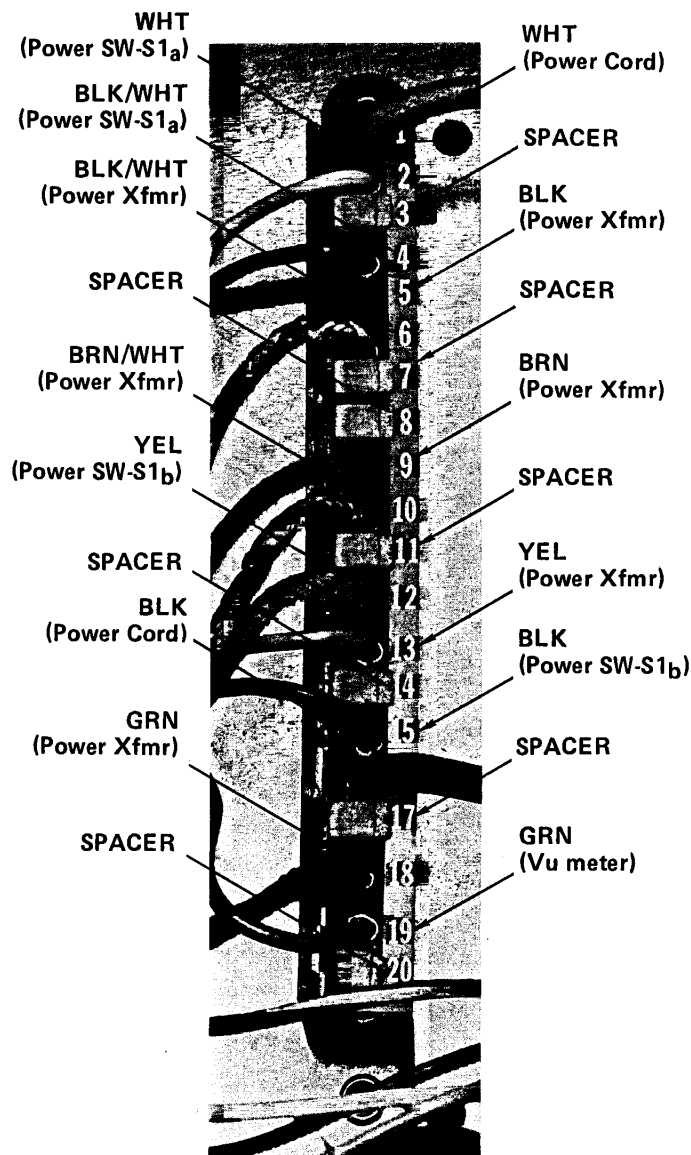


FIGURE 8

WARNING
THIS SECTION OF THE MANUAL
CONTAINS SERVICE INSTRUCTIONS
FOR USE BY QUALIFIED SERVICE
PERSONNEL ONLY.

TABLE 2 (120 V AC commoning wire code)

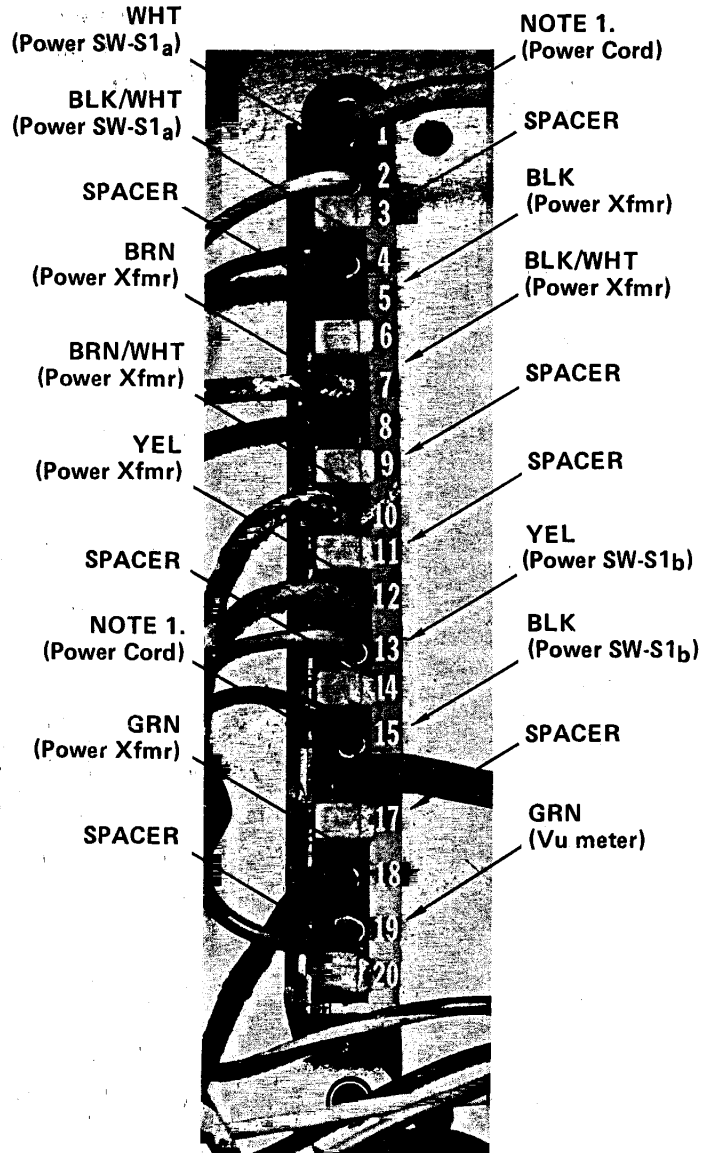
Comming Connector Terminal	Wire Color	Wire Origin	Spacer Required
1	Wht	Power Cord	
2	Wht	Power Switch	
3			Yes
4	Blk/Wht	Power Switch	
5	Blk	Power Transformer	
>6	Blk/Wht	Power Transformer	<
7			Yes
8			Yes
>9	Brn	Power Transformer	<
10	Brn/Wht	Power Transformer	
11			Yes
12	Yel	Power Switch	
13	Yel	Power Transformer	
14			Yes
15	Blk	Power Switch	
16	Blk	Power Cord	
17			Yes
18	Grn	Power Transformer	
19	Grn	Meter/LED Assy.	
20			Yes

NOTE: > & < denotes commoning connector terminal changes required to change line voltage from 120 V AC to 240 V AC. See Table 3 and manual instructions for correct procedures.

TABLE 3 (240 V AC commoning wire code)

Comming Connector Terminal	Wire Color	Wire Origin	Spacer Required
1	Note 1.	Power Cord	
2	Wht	Power Switch	
3			Yes
4	Blk/Wht	Power Switch	
5	Blk	Power Transformer	
6			Yes
>7	Blk/Wht	Power Transformer	<
>8	Brn	Power Transformer	<
9			Yes
10	Brn/Wht	Power Transformer	
11			Yes
12	Yel	Power Transformer	
13	Yel	Power Switch	
14			Yes
15	Blk	Power Switch	
16	Note 1.	Power Cord	
17			Yes
18	Grn	Power Transformer	
19	Grn	Meter/LED Assy.	
20			Yes

NOTES: 1. Based on local regulations.
2. > & < denotes commoning connector terminal changes required to change line voltage from 240 V AC to 120 V AC. See Table 2 and manual instructions for correct procedures.



NOTE 1. Based on local regulations.

FIGURE 9

WARNING
THIS SECTION OF THE MANUAL
CONTAINS SERVICE INSTRUCTIONS
FOR USE BY QUALIFIED SERVICE
PERSONNEL ONLY.

5. Insert the frosted spacers into spaces 6 and 9.
6. Change the line cord and/or attachment plug to match the supply source receptacle, or use a 120 V to 240 V AC adapter (not provided). The adapter as well as the power supply cord/or attachment plug used for 240 V AC mode in the U.S., Canada and Japan shall be both UL listed and CSA certified for use with said power source receptacle and wired per Table 3. For use in other countries, adapter, line cord and/or attachment plug selection shall be based on local regulations.
7. In countries requiring line cords having wire codes different from those noted in Step #6, the following suggestions apply.
 - A. Remove the existing power cord from the chassis, and be careful not to damage the Molex crimp terminal. If a new Molex crimp terminal is not available, follow steps B through H. If a Molex 1457-1 is available, follow steps I through M.
 - B. Cut the existing single wire of the power cord having the Molex crimp terminal 38 mm (1.5 in). Strip the cut end of the wire 5 mm (3/16 in) and tin.
 - C. Obtain an Electrovert single strip, 6E/1 DS or equivalent.
 - D. Using the original power cord as a wire guide, strip the outer covering from the new power cord and cut each wire to the appropriate length, per the local wiring code.
 - E. Strip 5 mm (3/16 in) from the longest wire and tin.
 - F. Insert the wires from steps B and E into the Electrovert terminal strip and tighten as required.
 - G. Solder the appropriate colored ground wire to solder lug E1.
 - H. Insert the crimped Molex terminals into the Molex commoning connector, spaces #1 and #16. Verify that the remaining transformer crimp terminals and spacers have been changed for 240 V AC use, per Table 3.
 - I. Using the existing power cable as a wire length guide, strip the outer covering of the new power cord and cut each wire to length per the local wiring code.
 - J. Strip 3 mm (1/8 in) from the longest wire.
 - K. Insert the wire into the Molex terminal per Figure 7, and crimp, using a Molex tool model HTR 1031C or equivalent.
 - L. Solder the appropriate colored ground wire to solder lug E1.
 - M. Insert the crimped Molex terminals into the Molex commoning connector, spaces #1 and #16. Verify that the remaining transformer crimp terminals and spacers have been changed for 240 V AC use, per Table 3.

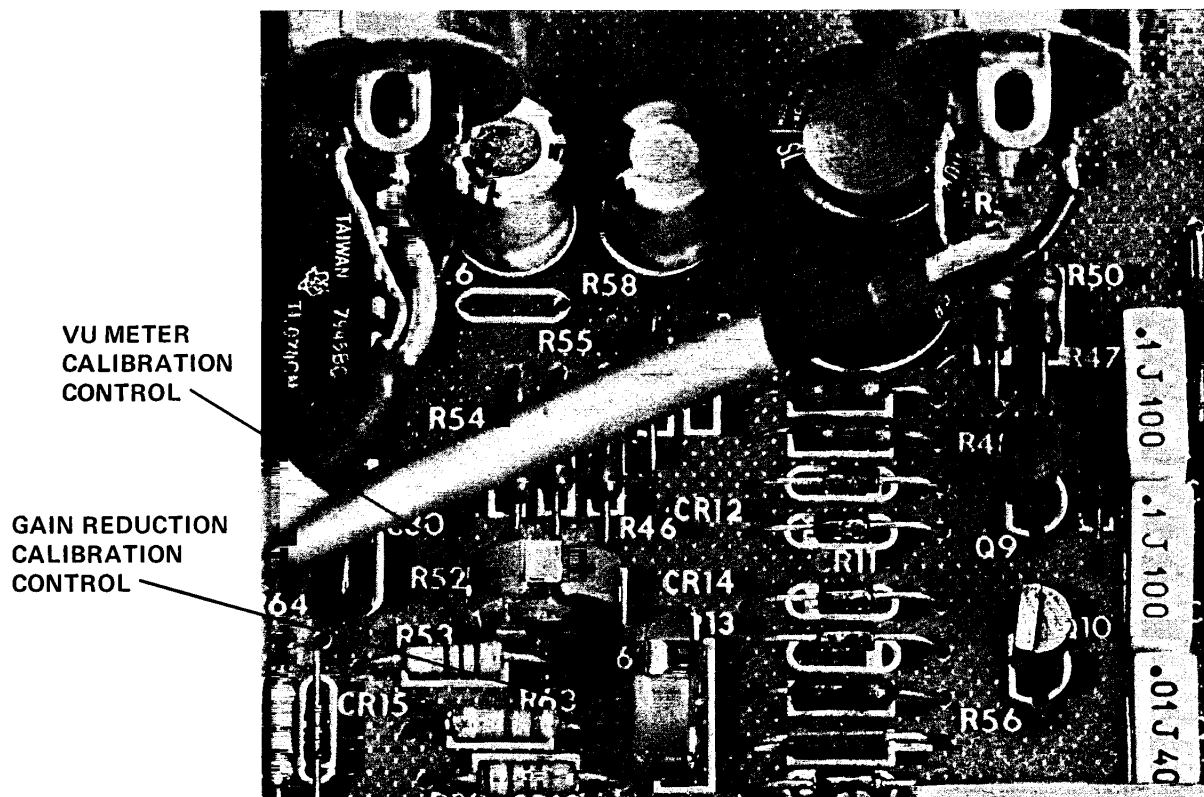


FIGURE 10

WARNING
 THIS SECTION OF THE MANUAL
 CONTAINS SERVICE INSTRUCTIONS
 FOR USE BY QUALIFIED SERVICE
 PERSONNEL ONLY.

VU Meter Calibration Procedure

1. Remove the top cover.
2. Connect an AC voltmeter to the OUTPUT screw terminal board **DIRECT** and **GND** and terminate with a 600 Ω load.
3. Connect a test oscillator's 600 Ω output, terminated by a 600 Ω load, to **LINE 1** screw terminal board **DIRECT** and **GND**.
4. Set the 7130 controls as follows:

Input 1	Max
Output	Max
Function	Out
Meter Range	dB
Meter Select	Line out
5. Set the test oscillator frequency to 1 kHz at an amplitude of -31 dBm.
6. Adjust the meter calibration control, R52, Figure 10, for 0 VU indication, 0 dBm.

Gain Reduction, 0 VU Meter Calibration

1. Remove the top cover.
2. Set the 7130 controls as follows:

Input 1 & 2	Minimum
Threshold	Minimum
Output	Minimum
Meter Select	Gain reduction
3. Adjust R62, Figure 10, for 0 VU.

Compress/Limit Adjustment

1. Remove the top cover.
2. Connect the AC voltmeter to the **OUTPUT** screw terminal board, **DIRECT** and **GND** and terminate with a 600 Ω load.
3. Connect the test oscillator's 600 Ω output, terminated by 600 Ω load, to **LINE 1** screw terminal board **DIRECT** and **GND**.
4. Set the 7130 controls as follows:

Input 1	Max
Threshold	Max
Output	Max
Attack	Fast
Release	Fast
Function	Compress
5. Set the test oscillator frequency to 1 kHz at an amplitude of +10 dBm.
6. Adjust R3, Figure 11, for 2.7 V AC.
7. Reset the **THRESHOLD** control to minimum.
8. Adjust the oscillator output level until the output level of the 7130 is +20 dBm. Input level to the 7130 must measure -7 dBm, ± 3 dBm.
9. Set the Function switch to **LIMIT** and the **THRESHOLD** control to maximum.
10. Adjust the oscillator for 0 dBm output of the 7130. Input to the 7130 should read -6 dBm, ± 3 dBm.
11. Turn the **THRESHOLD** control to minimum. Output of the 7130 must read +16 dBm, ± 2 dBm.

R3
 GAIN TRIM
 ADJUSTMENT

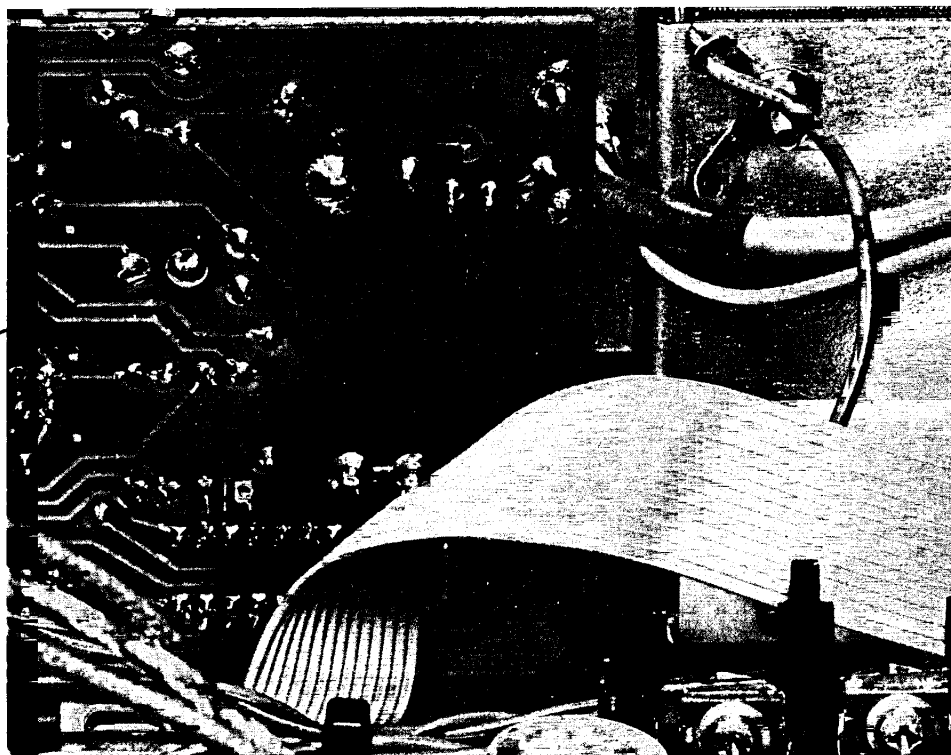
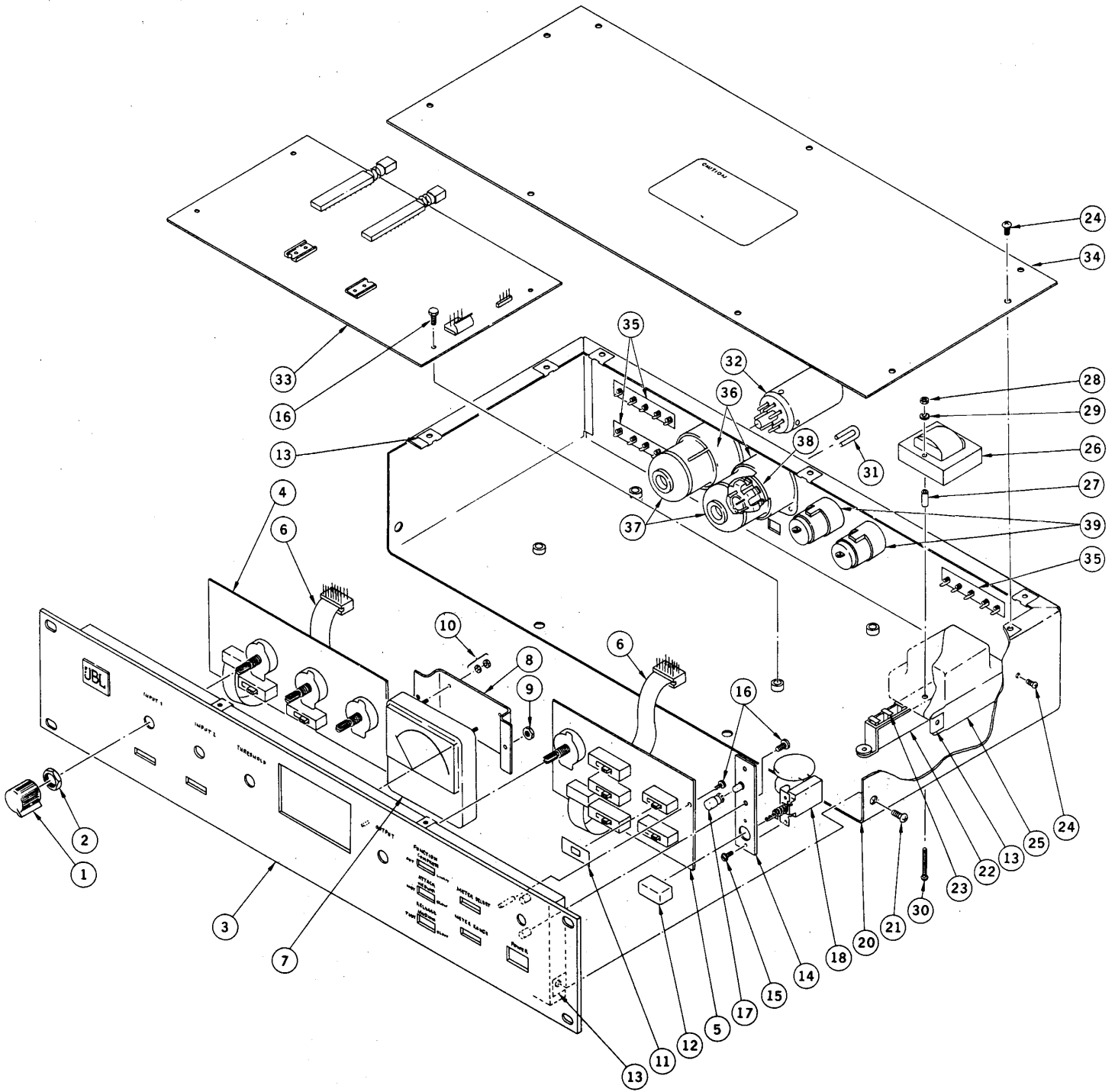


FIGURE 11

WARNING
THIS SECTION OF THE MANUAL
CONTAINS SERVICE INSTRUCTIONS
FOR USE BY QUALIFIED SERVICE
PERSONNEL ONLY.



7130 Exploded View and Parts List

FIGURE 13.

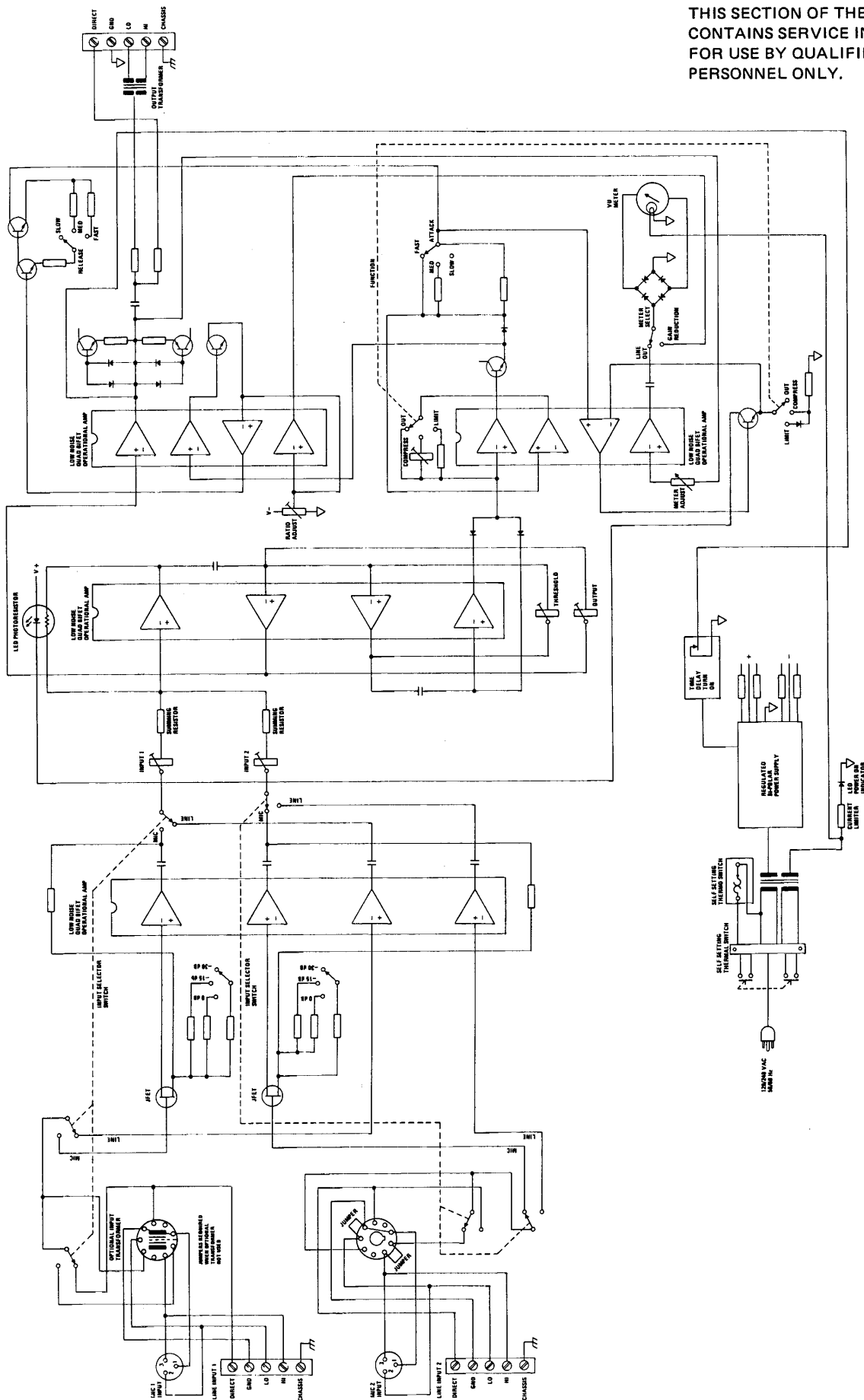
WARNING
THIS SECTION OF THE MANUAL
CONTAINS SERVICE INSTRUCTIONS
FOR USE BY QUALIFIED SERVICE
PERSONNEL ONLY.

Item	JBL Part No.	Qty	Description
1	55630	4	Knob
2	—	4	Part of board assy.
3	59295	1	Front panel
4	59309	1	PC board assy.
5	59311	1	PC board assy.
6	59315-01	2	Flat ribbon assy.
7	55098	1	Meter
8	59291	1	Meter bracket
9	89508	2	6-32 Keps nut
10	Note ¹	4	Meter mounting set
11	58469	7	Glamour shield
12	54969	1	Knob
13	59827	17	#6 speed washer
14	59933-01	1	PC board assy.
15	47631	2	4-40 x 1/4 binding head screw
16	47896	7	6-32 x 5/16 hex head screw
17	59893	1	Green LED lens
18	54953	1	Power switch
19	13189	2	Capacitor
20	59294	1	Chassis

Item	JBL Part No.	Qty	Description
21	89654	6	6 x 3/8 hex washer screw
22	59303	1	Commoning connector
23	59305	5	Polarizing key
24	59848	11	6 x 3/8 Phillips-head screw
25	59306	1	Power transformer
26	59299	1	Output transformer
27	57806	2	Spacer
28	11496	2	4-40 hex-nut
29	12267	2	#4 lock washer
30	57807	2	4-40 x 1/4 pan head screw
31	58325-01	4	Jumper
32	—	2	5195 or 5901 transformer
33	59313	1	PC board assy.
34	59293	1	Cover
35	82706	3	Terminal strip
36	55107	2	Recess shell
37	59330	2	Plug assy.
38	55106	2	9 pin socket
39	47600	2	XLR-type socket

Note: 1. 3mm set.

WARNING
 THIS SECTION OF THE MANUAL
 CONTAINS SERVICE INSTRUCTIONS
 FOR USE BY QUALIFIED SERVICE
 PERSONNEL ONLY.



Block Diagram

WARNING
THIS SECTION OF THE MANUAL
CONTAINS SERVICE INSTRUCTIONS
FOR USE BY QUALIFIED SERVICE
PERSONNEL ONLY.

Test Equipment Required To Meet Proof of Performance:¹

Clarostat 240C	Decade resistance box
Dana 170	Amplifier
Fluke 8000A	DVM
GenRad W5MT3W	Variable transformer
GenRad 1523/1523P2	Graphic level recorder set
GenRad 1840-A	Output power meter
HP 350B	Attenuator set
HP 339A	Distortion measurement set
HP 400 FL	AC voltmeter
Krohn-Hite 3202	Filter ²
Philips PM3262	Dual trace scope
Sound Technology 1770B	IM distortion measurement set
Tektronix 7000 series	Storage oscilloscope

- Notes: 1. Equivalent test equipment may be substituted.
2. 20 kHz equivalent bandwidth filter.

Circuit Description	JBL Part No.	Description		
CAPACITORS				
All capacitors are in μ F unless otherwise noted.				
C2	4844	51 pF	500 V \pm 5%	Mica
C3	48429	10 pF	500 V \pm 5%	
C4	53423	50	50 V	
C5	48433	20 pF	500 V \pm 5%	Mica
C6	-			
C7	40433	20 pF	500 V \pm 5%	Mica
C8	36188	22	25 V	
C9	58739-2205	22	25 V	
C10	-			
C11	58739-2205	22	25 V	
RESISTORS				
Resistors are fixed, carbon-film, 1/4 W, \pm 5% unless otherwise indicated.				
R2	36486	16 k		
R3	36522	510 k		
R4	58683-1302	13 k	\pm 2%	metal film
R5	36457	1 k		
R7	58683-1302	13 k	\pm 2%	metal film
R8	36457	1 k		
R10	36474	5.1 k		
R11	58683-1002	10 k	\pm 2%	metal film
R12	58683-6200	620	\pm 2%	metal film
R14	36474	5.1 k		
R15	36477	6.8 k		
R16	58683-1002	10 k	\pm 2%	metal film
R17	58683-1002	10 k	\pm 2%	metal film
R18	58683-1002	10 k	\pm 2%	metal film
R19	36426	51		
R20	36426	51		
R21	36468	3 k		
POTENTIOMETERS				
R6	59179-02	100 k		
R9	59179-02	100 k		
R13	59327-01	50 k		
SEMICONDUCTOR				
AR1	59028	TL074CN	quad op amp	
CR1	52544	1N914B		
CR2	52544	1N914B		
VR1	59321	LED-photoconductor isolator		
SOCKET				
J1	59021-02	14 pin		
SWITCHES				
S1	58407	2PDT		
S2	58407	2PDT		

Circuit Description	JBL Part No.	Description		
CAPACITORS				
All capacitors are in μ F unless otherwise noted.				
M.P. are metallized polycarbonate.				
C1	58739-2205	22	25 V	
C2	58690	0.1	100 V \pm 5%	M.P.
C3	58690	0.1	100 V \pm 5%	M.P.
C4	48433	20 pF	500 V \pm 5%	Mica
C6	36188	22	25 V	
C7	58690	0.1	100 V \pm 5%	M.P.
C8	36188	22	25 V	
RESISTORS				
Resistors are fixed, carbon-film, 1/4 W, \pm 5%.				
R2	36481	10 k		
R4	36521	470 k		
R6	36481	10 k		
R7	36481	10 k		
R8	36473	4.7 k		
R9	35621	100 k		
R10	36461	1.5 k		
R11	36497	47 k		
R12	36453	680		
R13	36481	10 k		
R14	36485	15 k		
R15	36492	30 k		
R16	36503	82 k		
R17	36497	47 k		
R18	35605	22 k		
R19	36470	3.6 k		
POTENTIOMETERS				
R1	59327-01	50 k		
R3	59320	25 k		
SEMICONDUCTORS				
AR1	59028	TL074CN		
CR1	52544	1N914B		
CR2	39869	1N4003		
CR3	52544	1N914B		
CR4	47611		bridge rectifier	
Q1	48340	MPSA06		
Q2	48338	2N5210		
SOCKET				
J2	59021-02			
SWITCHES				
S1	58407		2PDT	
S2	58407		2PDT	
S3	58407		2PDT	
S4	58402			
S5	58407		2PDT	

Circuit Description	JBL Part No.	Description
CAPACITORS		
All capacitors are in μ F.		
C1	13189	0.01
C2	13189	0.01
CONNECTORS		
MIC 1	47600	XLR-type
MIC 2	47600	XLR-type
METER		
M1	55098	
RIBBON CABLE		
W2	59315-01	
W3	59315-01	
POWER CORD		
W1	82477	
SOCKETS		
LINE-MIC 1	55106	
LINE-MIC 2	55106	
SWITCH		
S1	54953	
TERMINAL STRIPS		
TB1	82706	
TB2	82706	
TB3	82706	
TB4	59303	
TRANSFORMERS		
T1	59306	
T2	59299	

Circuit Description	JBL Part No.	Description
CAPACITORS		
All capacitors are in μ F.		
C1	13189	0.01 1.4 KV
C2	13189	0.01 1.4 KV
CONNECTORS		
MIC 1	47600	XLR-type female
MIC-2	47600	XLR-type female
METER		
M1	55098	
RIBBON CABLE		
W2	59315-01	
W3	59315-01	
POWER CORD		
W1	82477	
SOCKETS		
LINE-MIC 1	55106	9 pin socket
LINE-MIC 2	55106	9 pin socket
SWITCH		
S1	54953	power
TERMINAL STRIPS		
TB1	82706	
TB2	82706	
TB3	82706	
TB4	59303	commoning connector
TRANSFORMERS		
T1	59306	power
T2	59299	output

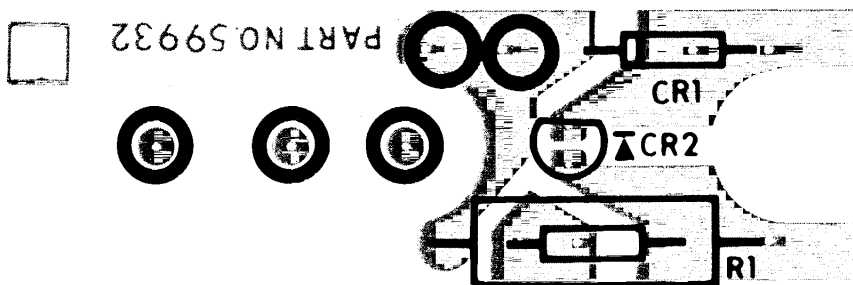
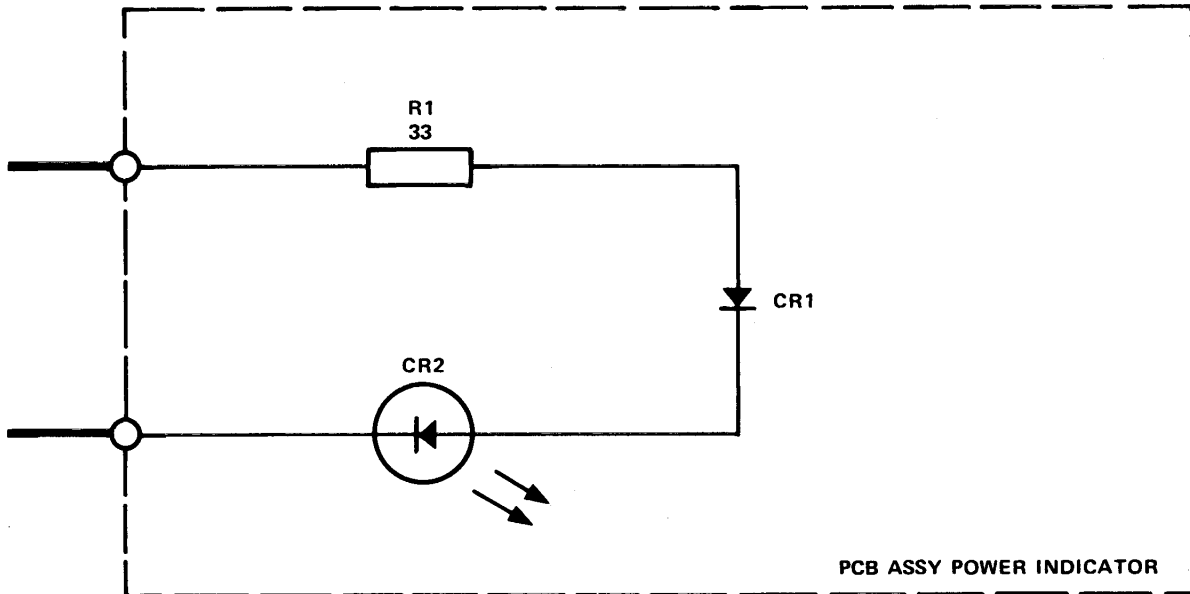
Circuit Description	JBL Part No.	Description
CAPACITORS		
All capacitors are in μF unless otherwise noted.		
M.P. are metallized polycarbonate.		
C1	48433	20 pF 500 V $\pm 5\%$ Mica
C2	48433	20 pF 500 V $\pm 5\%$ Mica
C3	58739-2205	22 25 V
C4	58724-1007	1000 10 V
C5	48433	20 pF 500 V $\pm 5\%$ Mica
C6	58739-2205	22 25 V
C7	48433	20 pF 500 V $\pm 5\%$ Mica
C8	48433	20 pF 500 V $\pm 5\%$ Mica
C9	58739-2205	22 25 V
C10	58724-1007	1000 10 V
C11	48433	20 pF 500 V $\pm 5\%$ Mica
C12	58739-2205	22 25 V
C13	58739-2205	22 25 V
C14	58730-1006	100 25 V
C15	58690	0.1 100 V $\pm 5\%$ M.P.
C16	58739-2205	22 25 V
C17	58739-2205	22 25 V
C18	58730-1006	100 25 V
C19	58690	0.1 100 V $\pm 5\%$ M.P.
C20	58739-2205	22 25 V
C21	58725-2206	220 50 V
C22	58725-2206	220 50 V
C23	58725-1005	10 50 V
C24	58738	0.01 100 V $\pm 5\%$ M.P.
C25	58690	0.1 100 V $\pm 5\%$ M.P.
C27	58730-3306	330 25 V
C28	58690	0.1 100 V $\pm 5\%$ M.P.
C29	48429	10 pF 500 V $\pm 5\%$ Mica
C30	48433	20 pF 500 V $\pm 5\%$ Mica
C31	48429	10 pF 500 V $\pm 5\%$ Mica
C32	53078	1 100 V $\pm 5\%$ M.P.
CONNECTORS		
J1	59021-02	
J2	59021-02	
J3	58722-07	5 pin
J4	58722-09	6 pin
J5	58722-09	6 pin
J6	59290	4 pin
HEAT SINK		
	58400	dual
INSULATOR		
	58488	dual

Circuit Description	JBL Part No.	Description
RESISTORS		
Resistors are fixed, carbon-film, 1/4 w, $\pm 5\%$ unless otherwise noted.		
R1	36478	7.5 k
R2	36481	10 k
R3	36517	330 k
R4	58683-5102	51 k $\pm 2\%$ metal film
R5	36485	15 k
R6	36481	10 k
R7	36479	8.2 k
R8	36484	13 k
R9	36481	10 k
R10	36456	910
R11	36436	130
R12	36485	15 k
R13	36457	1 k
R14	36481	10 k
R15	36478	7.5 k
R16	36481	10 k
R17	36517	330 k
R18	58683-5102	51 k $\pm 2\%$ metal film
R19	36485	15 k
R20	36481	10 k
R21	36479	8.2 k
R22	36484	13 k
R23	36481	10 k
R24	36456	910
R25	36436	130
R26	36485	15 k
R27	36457	1 k
R28	36481	10 k
R29	36426	51
R30	36426	51
R31	36426	51
R32	36426	51
R33	36426	51
R34	36426	51
R35	36429	68
R36	36493	33 k
R37	36493	33 k
R38	36429	68
R40	36514	240 k
R41	81055	1 meg
R42	36464	2 k
R43	35621	100 k
R44	36443	270
R46	36449	470
R47	36481	10 k
R48	36419	10
R50	36425	47
R51	36425	47

Circuit Description	JBL Part No.	Description
RESISTORS		
R53	36478	7.5 k
R54	36482	11 k
R55	36491	27 k
R56	36481	10 k
R57	36419	10
R58	36481	10 k
R59	36481	10 k
R60	35549	100
R61	35621	100 k
R63	36521	470 k
R64	36521	470 k
R65	36481	10 k
R66	36488	20 k
R67	35621	100 k
R68	35605	22 k
R69	36481	10 k
R70	36481	10 k
R71	36457	1 k
R72	36522	510 k
R73	36502	75 k
R74	36526	750 k
R75	36481	10 k
R76	58683-2701	27 k $\pm 2\%$ metal film
R77	58683-2701	27 k $\pm 2\%$ metal film
POTENTIOMETERS		
R52	59263	25 k linear
R62	59263	25 k linear
RELAY		
K1	59038	24 V DC
SEMICONDUCTORS		
AR1	59028	TL074CN
AR2	59028	TL074CN
CR1	55648	bridge rectifier
CR2	52544	1N914B
CR3	52544	1N914B
CR4	59878	1N4746A
CR5	39869	1N4003
CR6	52544	1N914B
CR7	52544	1N914B
CR8	59878	1N4746A
CR9	52544	1N914B
CR10	59034	1N4731
CR11	52544	1N914B
CR12	52544	1N914B
CR13	52544	1N914B
CR14	52544	1N914B
CR15	52544	1N914B

Circuit Description	JBL Part No.	Description
Q1	59030	PF-5101-3
Q2	59030	PF-5101-3
Q3	58720	2N6123
Q4	48337	2N5086
Q5	48338	2N5210
Q6	58719	2N6126
Q7	48337	2N5086
Q8	55411	MJE182
Q9	48340	MPSA06
Q10	55201	MPSA356
Q11	48338	2N5210
Q12	48337	2N5086
Q13	48338	2N5210
SWITCHES		
S1	59301	6PDT
S2	59301	6PDT

WARNING
 THIS SECTION OF THE MANUAL
 CONTAINS SERVICE INSTRUCTIONS
 FOR USE BY QUALIFIED SERVICE
 PERSONNEL ONLY.

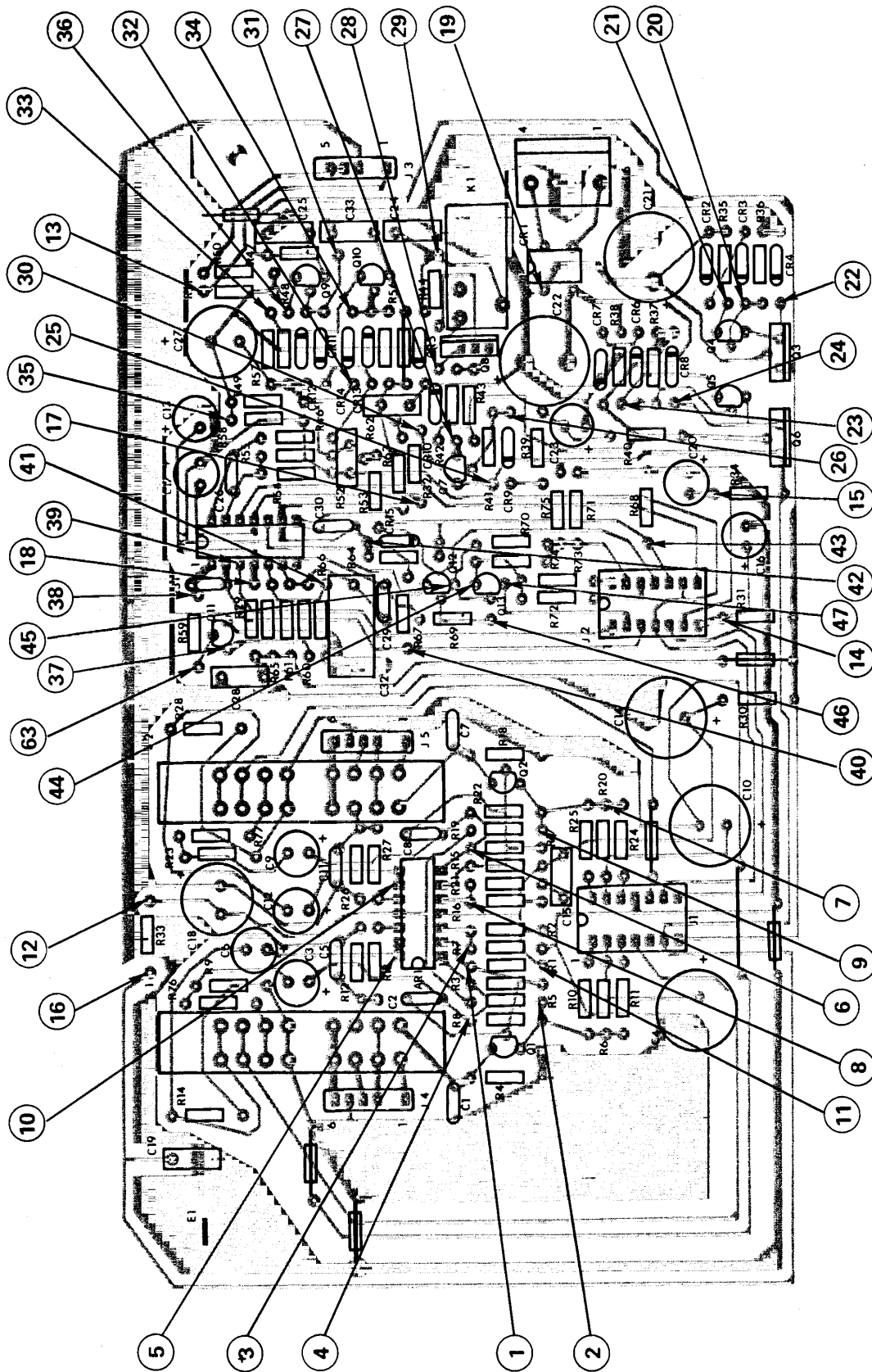


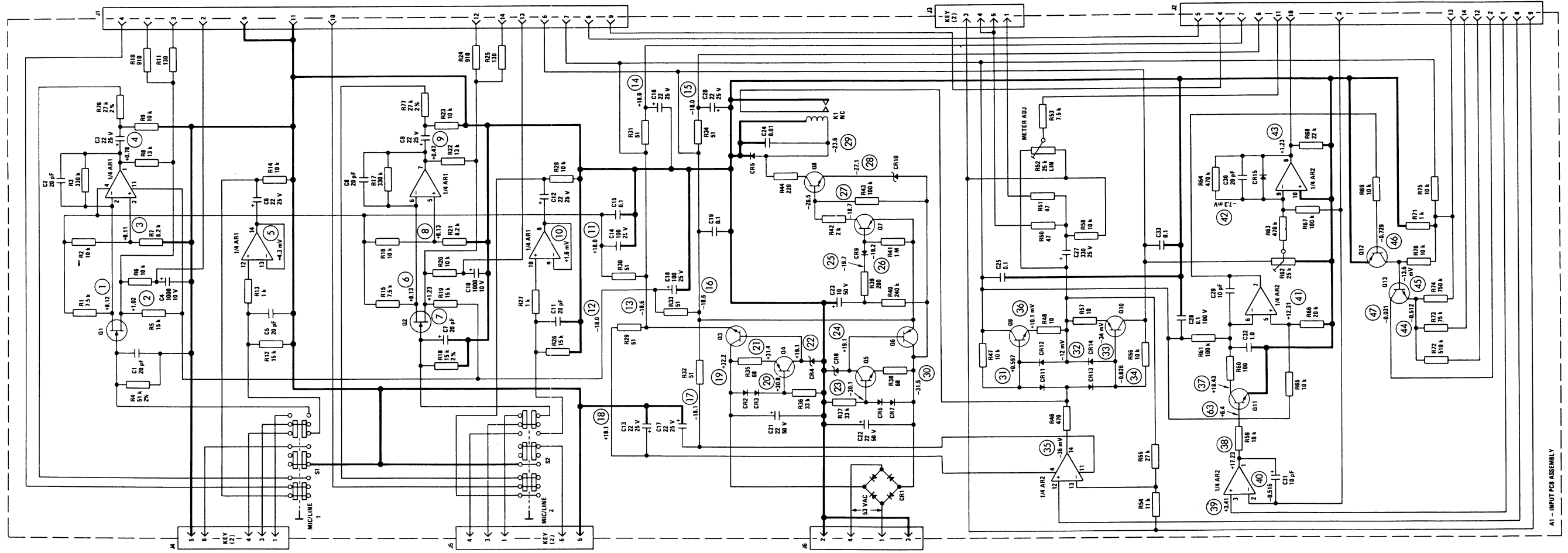
Circuit Description	JBL Part No.	Description
RESISTOR		
Resistor 1/4 W, +5%		
R1	36421	33 LED
SEMICONDUCTORS		
CR1	39869	IN4003
CR2	59894	Green Led

7130 Power Indicator P.C. Board Assembly

60992-04 01 & PL 6/81 Printed in U.S.A.

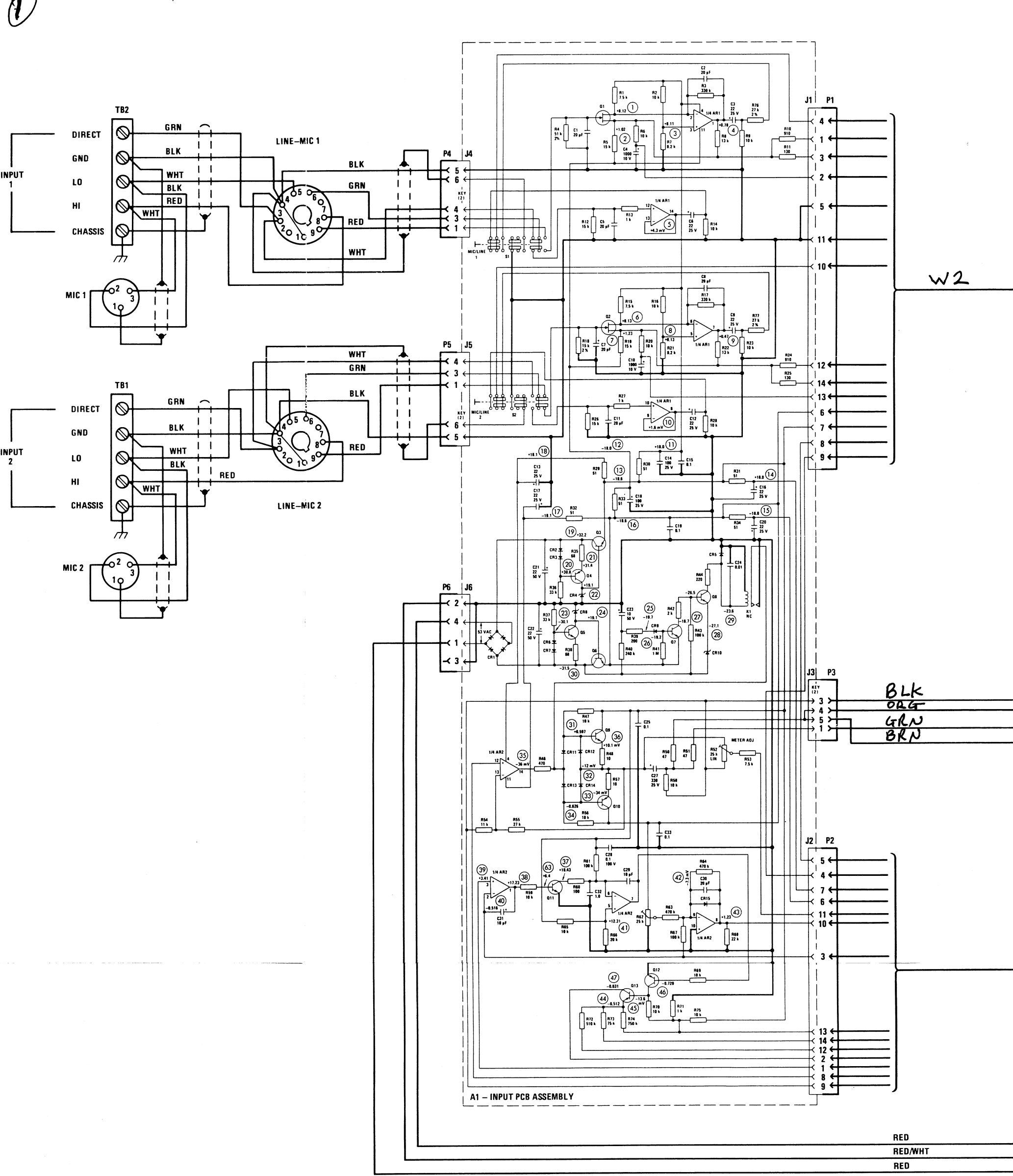
WARNING
THIS SECTION OF THE MANUAL
CONTAINS SERVICE INSTRUCTIONS
FOR USE BY QUALIFIED SERVICE
PERSONNEL ONLY.





Notes: Unless otherwise specified

1. Voltage measurements made with a Fluke DVM, no signal applied, negative lead of DVM to ground, 120 V AC line



W2

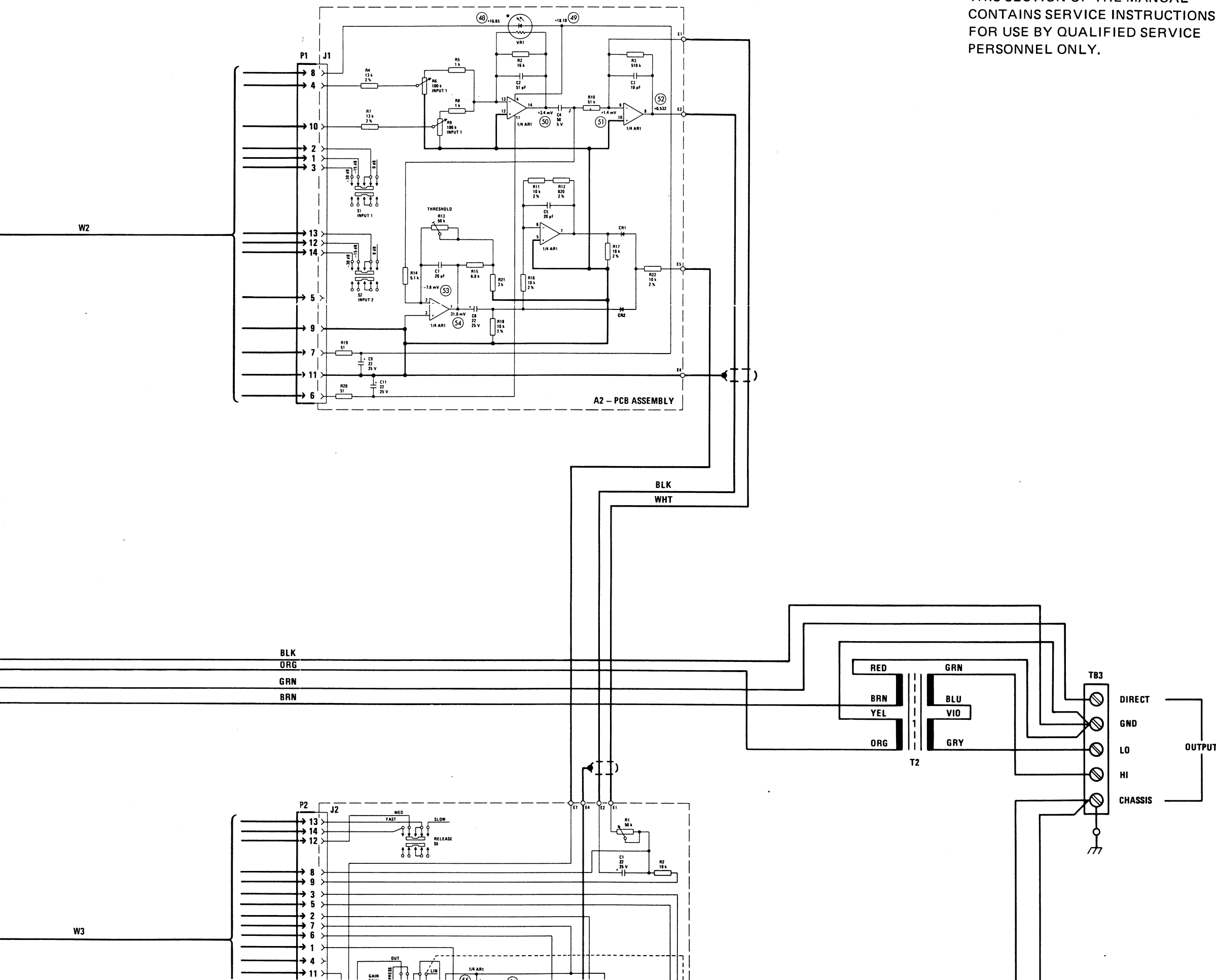
BLK
ORG
GRN
BRN

A1 - INPUT PCB ASSEMBLY

RED
RED/WHT
RED

2

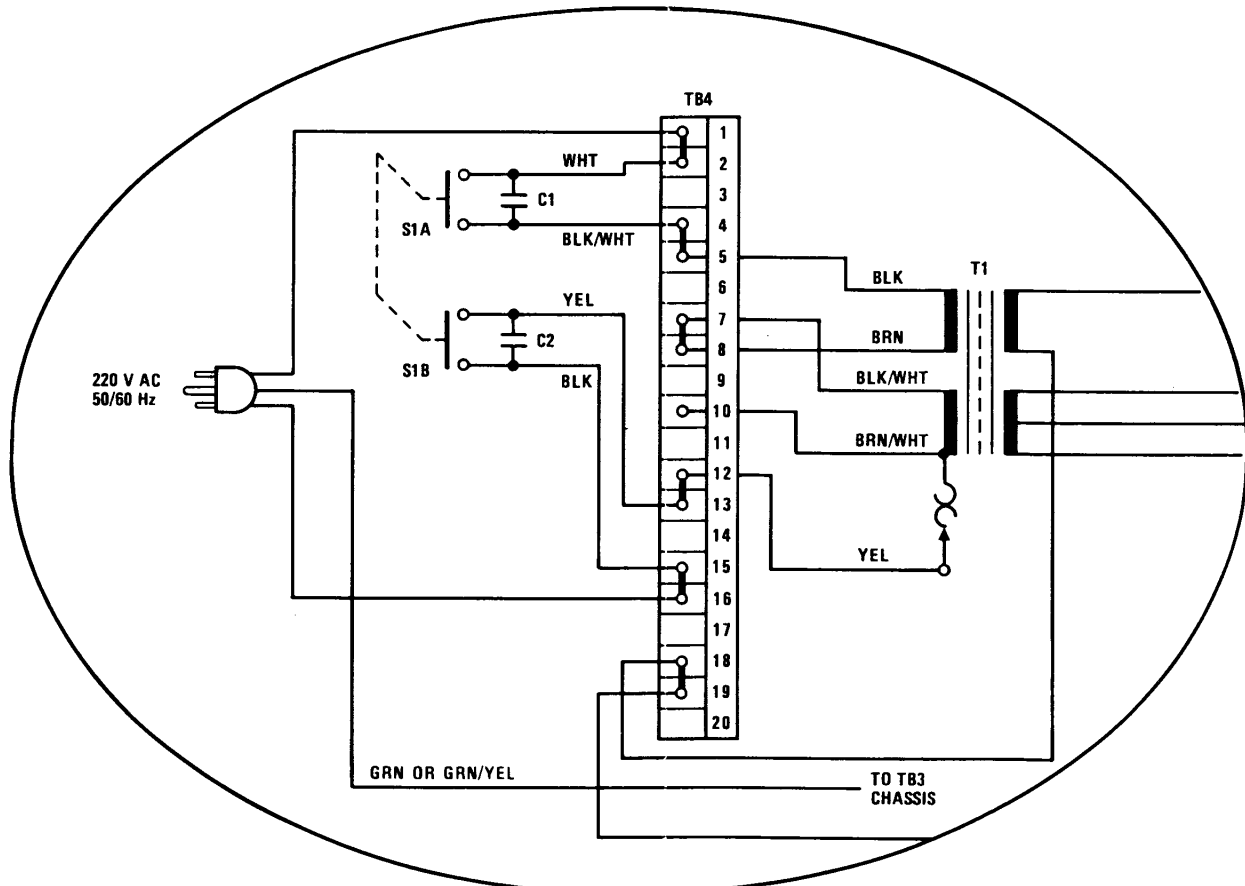
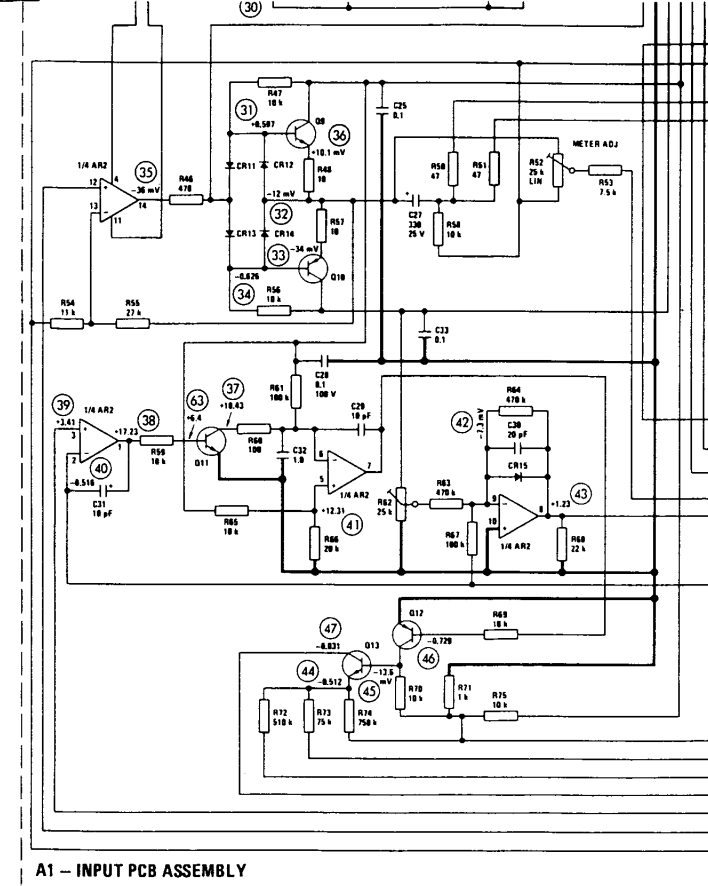
WARNING
THIS SECTION OF THE MANUAL
CONTAINS SERVICE INSTRUCTIONS
FOR USE BY QUALIFIED SERVICE
PERSONNEL ONLY.



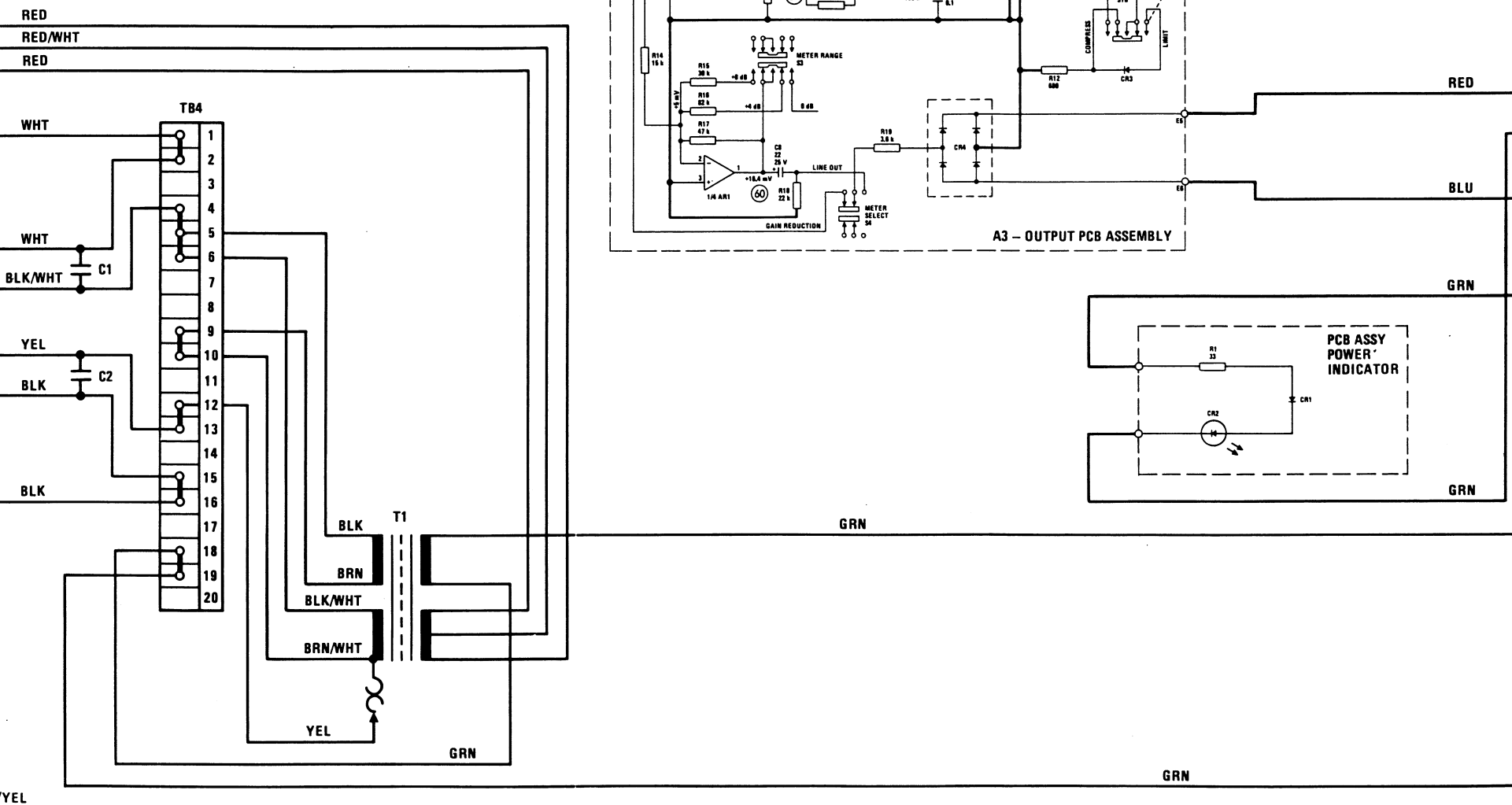
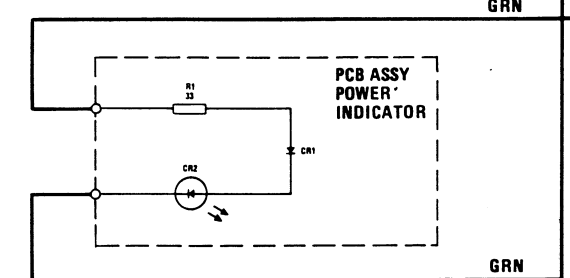
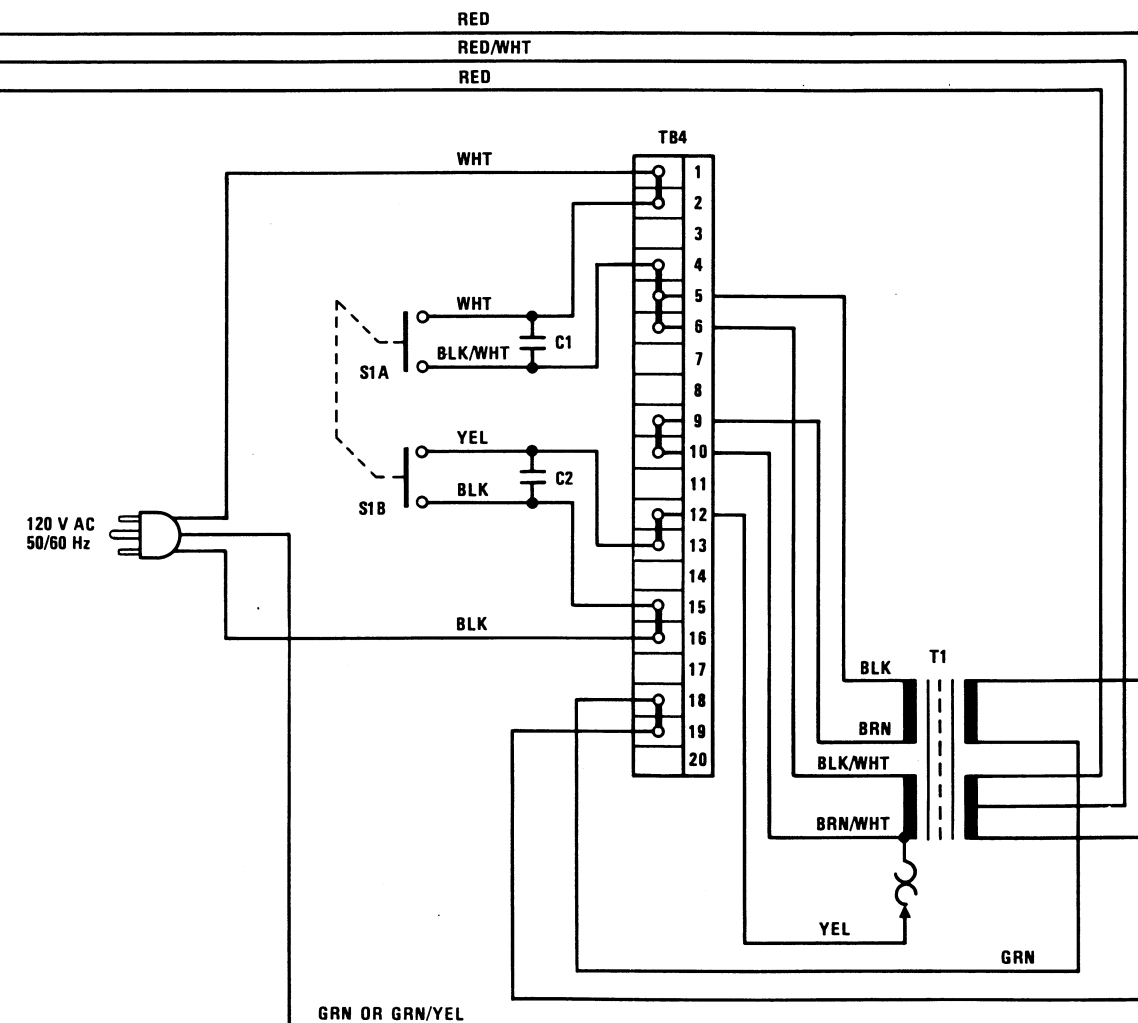
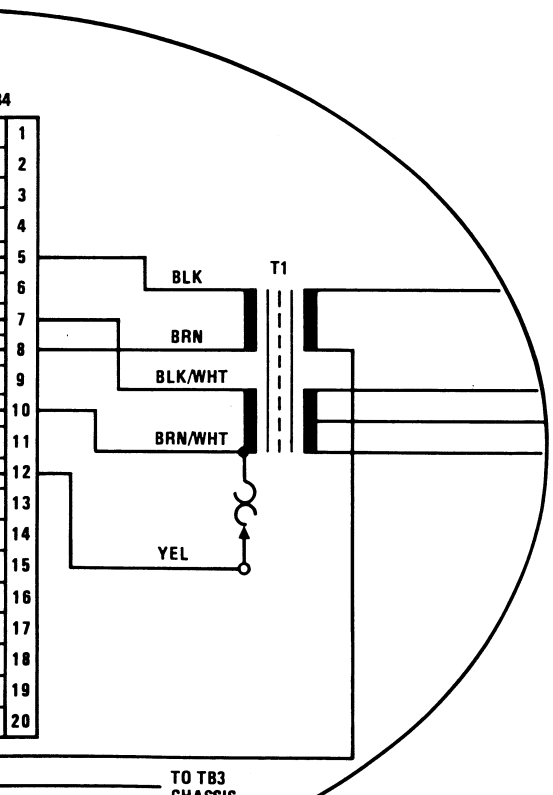
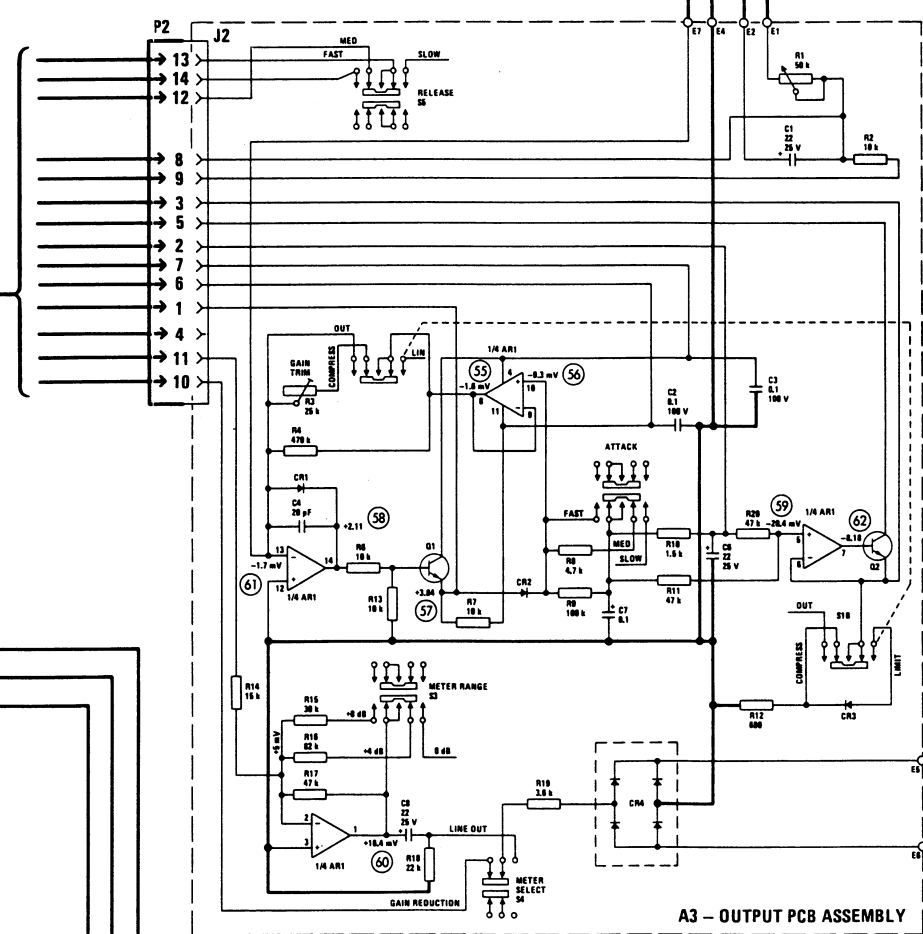
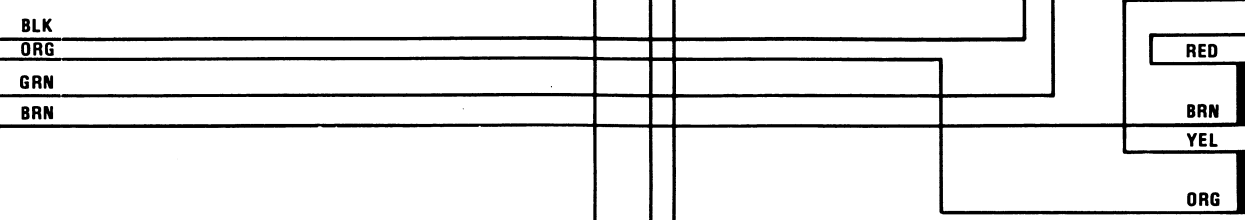
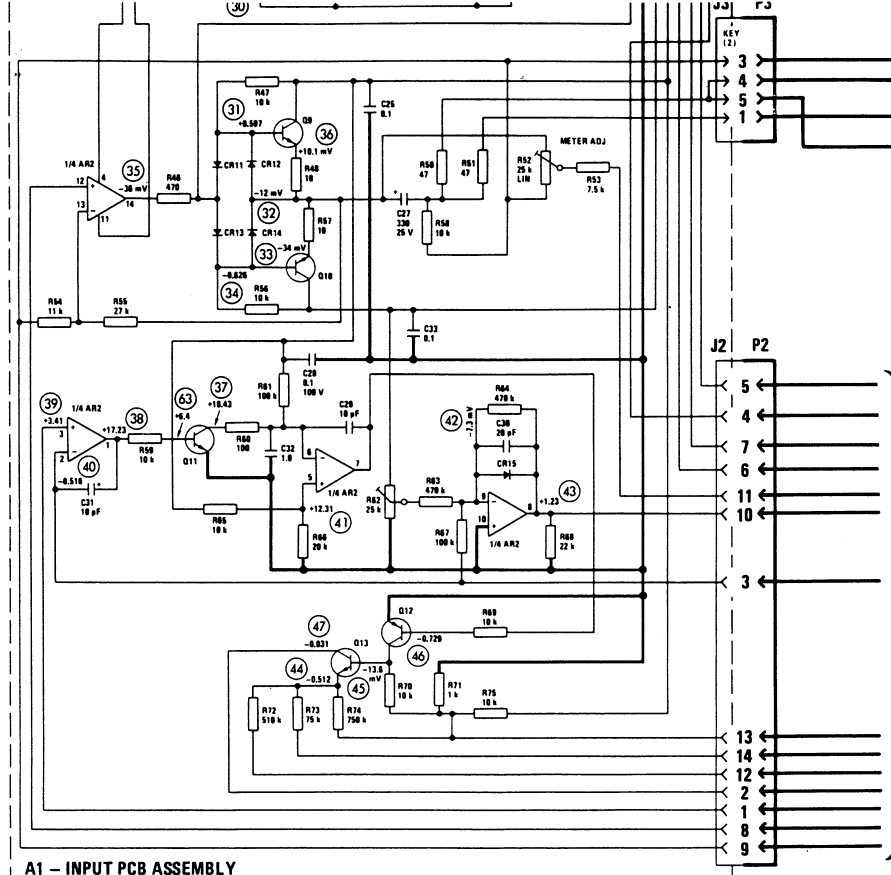
3

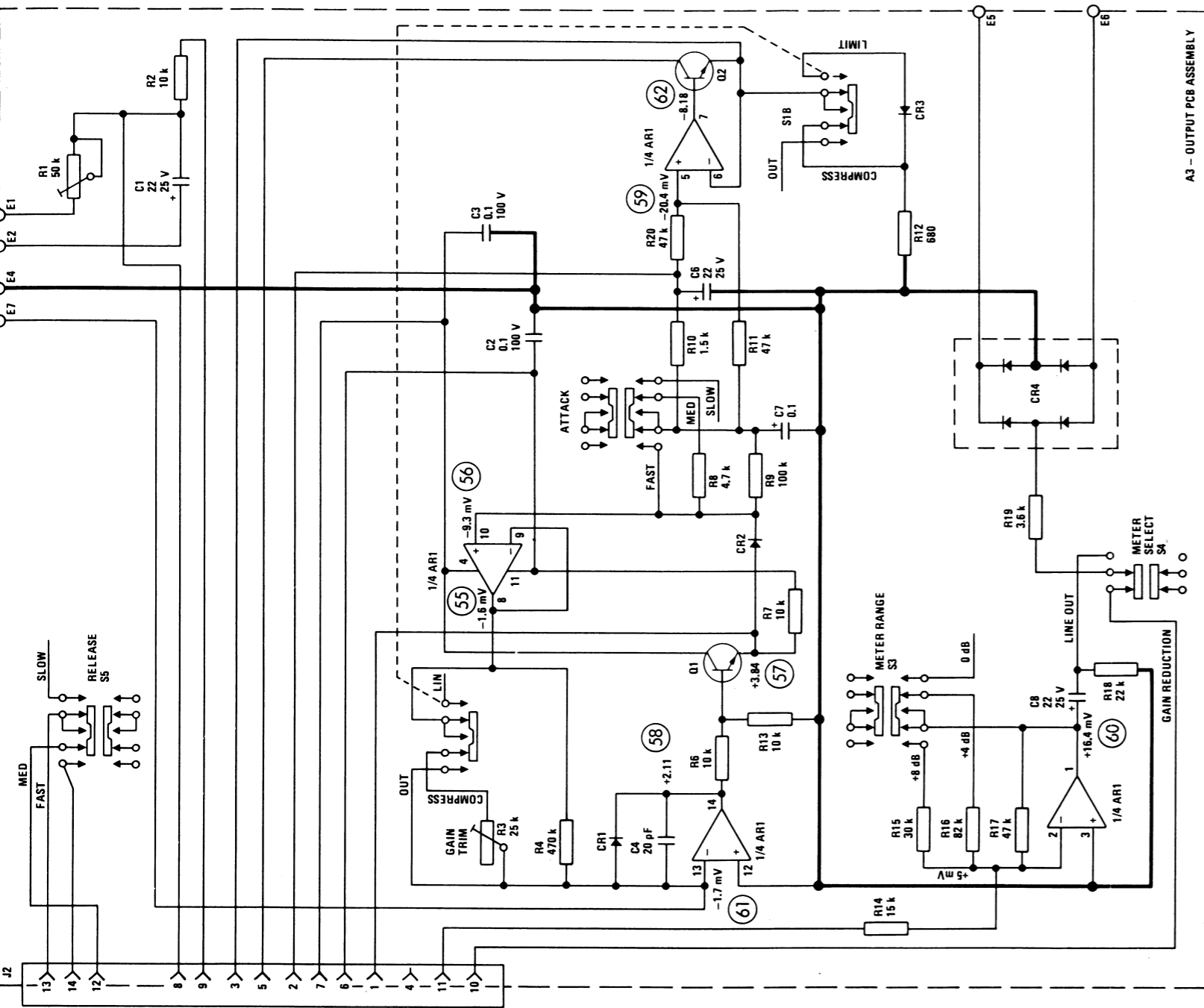
Notes: Unless otherwise specified

1. Voltage measurements made with a Fluke DVM, no signal applied, negative lead of DVM to ground, 120 V AC line voltage. Voltage tolerance $\pm 10\%$.
2. All capacitors are in microfarads unless otherwise noted.
3. All resistors are in ohms.
4. — denotes circuit board.
5. 0 indicates voltage test point found on P.C. assembly.



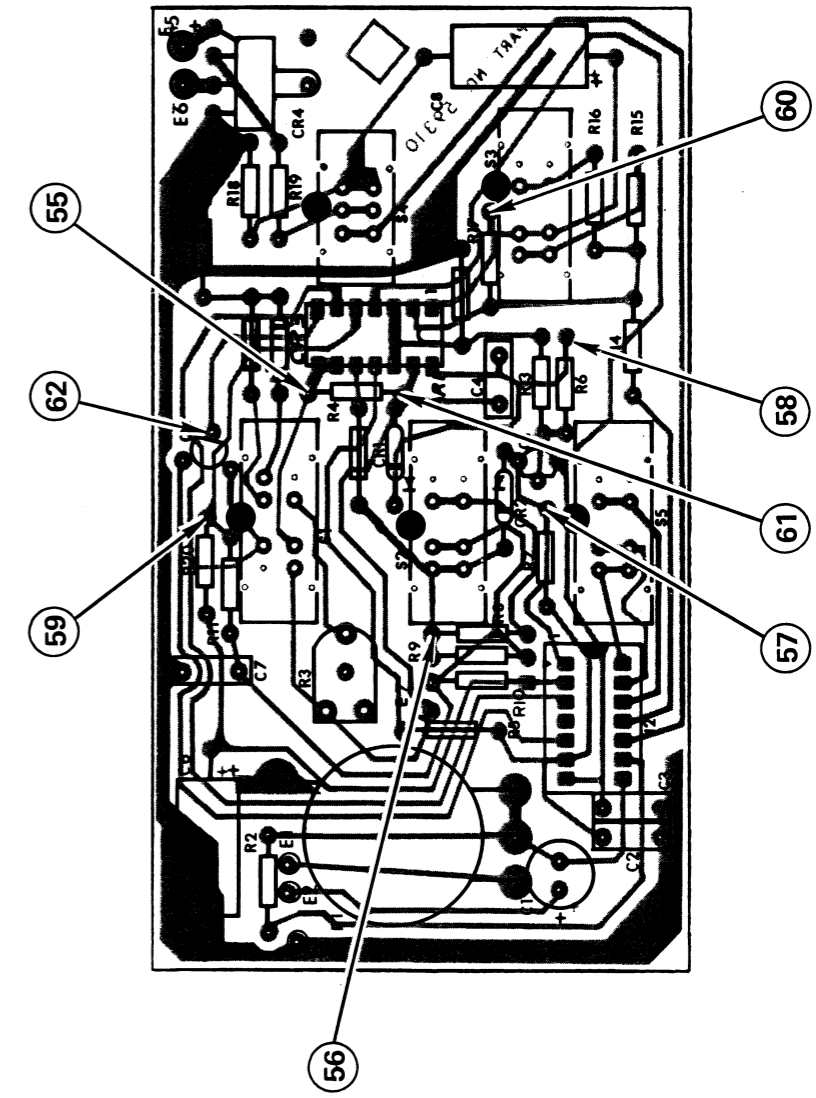
4

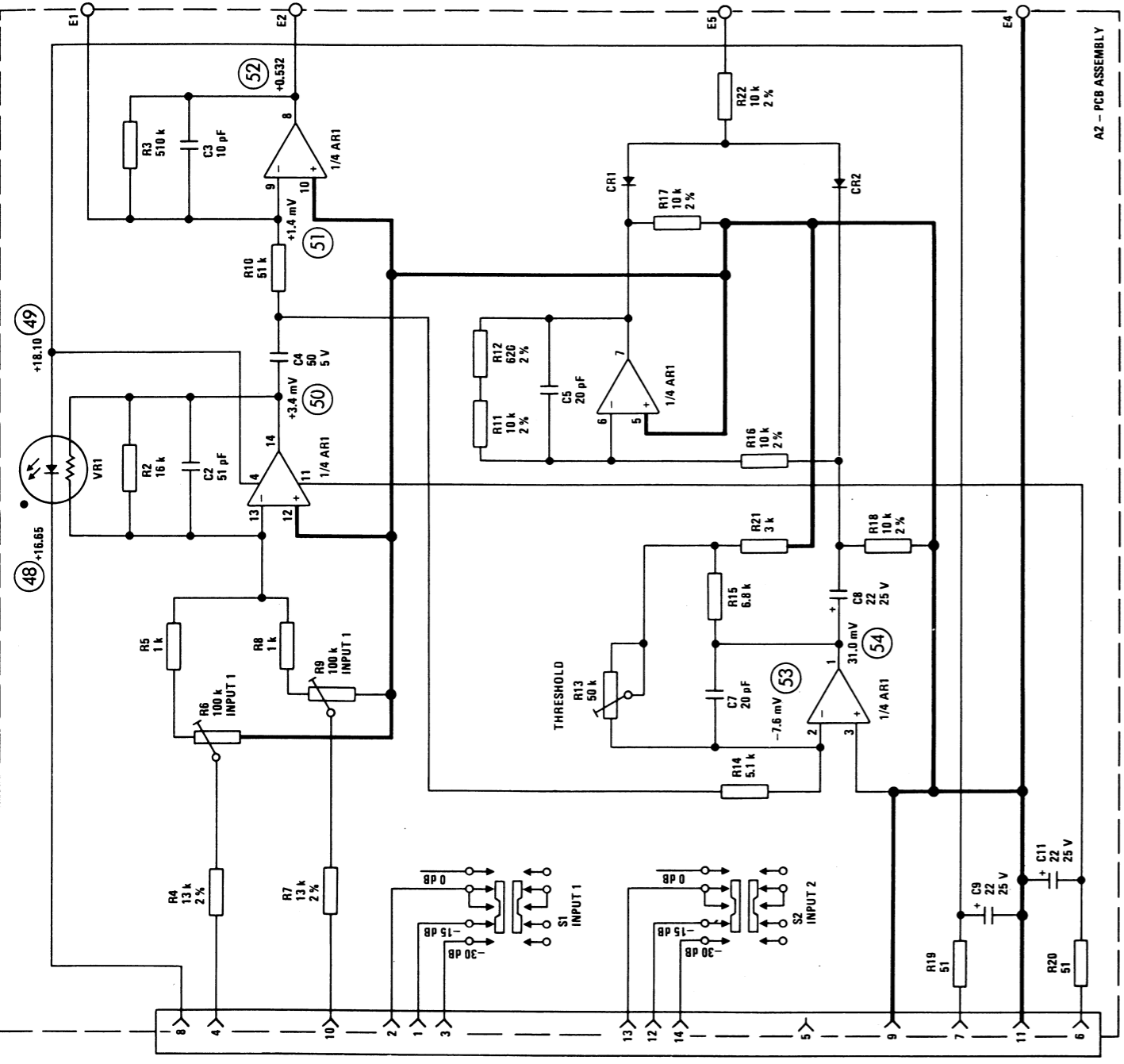




Notes: Unless otherwise specified.

1. Voltage measurements made with a Fluke DVM, no signal applied, negative lead of DVM to ground, 120 V AC line voltage. Voltage tolerance $\pm 10\%$.
2. All capacitors are in microfarads unless otherwise noted.
3. All resistors are in ohms.
4. — denotes circuit board.
5. 0 indicates voltage test point found on P.C. assembly.





Notes: Unless otherwise specified

1. Voltage measurements made with a Fluke DVM, no signal applied, negative lead of DVM to ground, 120 V AC line voltage. Voltage tolerance $\pm 10\%$.
2. All capacitors are in microfarads unless otherwise noted.
3. All resistors are in ohms.
4. — denotes circuit board.
5. 0 indicates voltage test point found on P.C. assembly.

