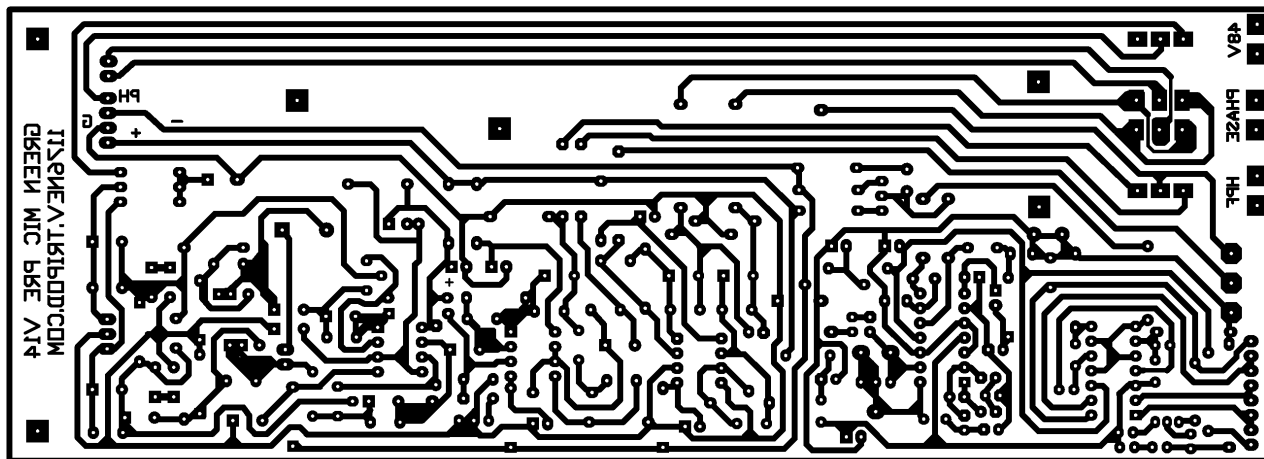
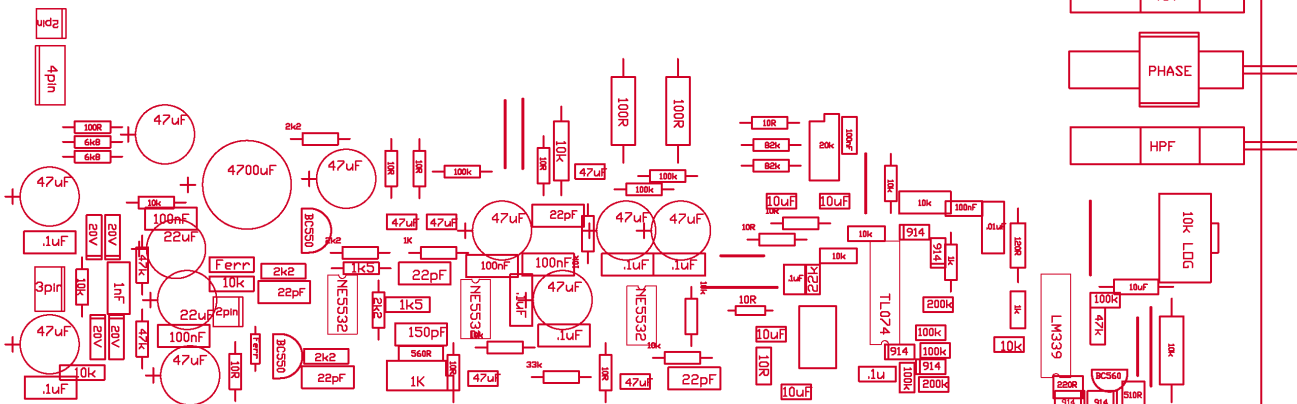
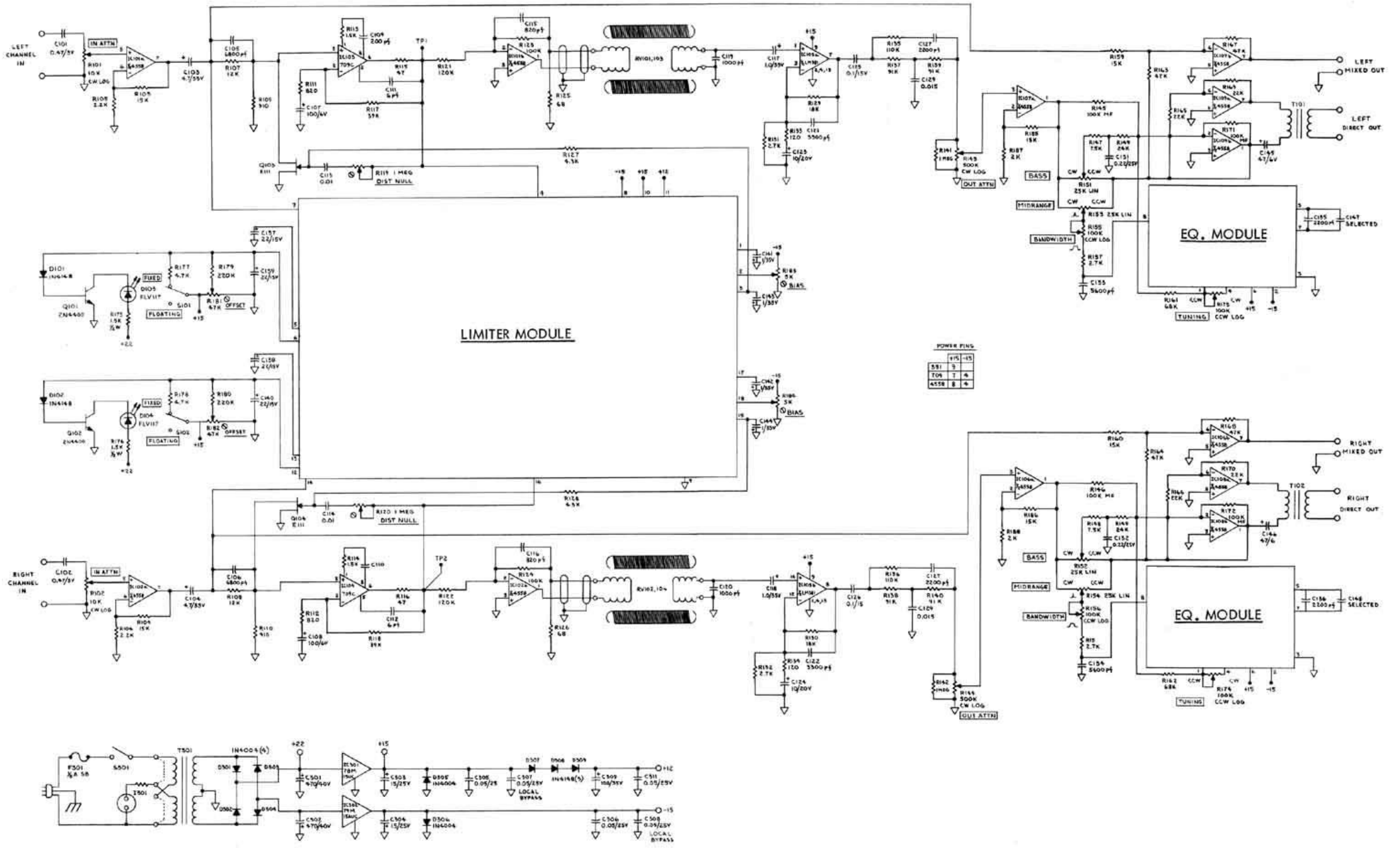


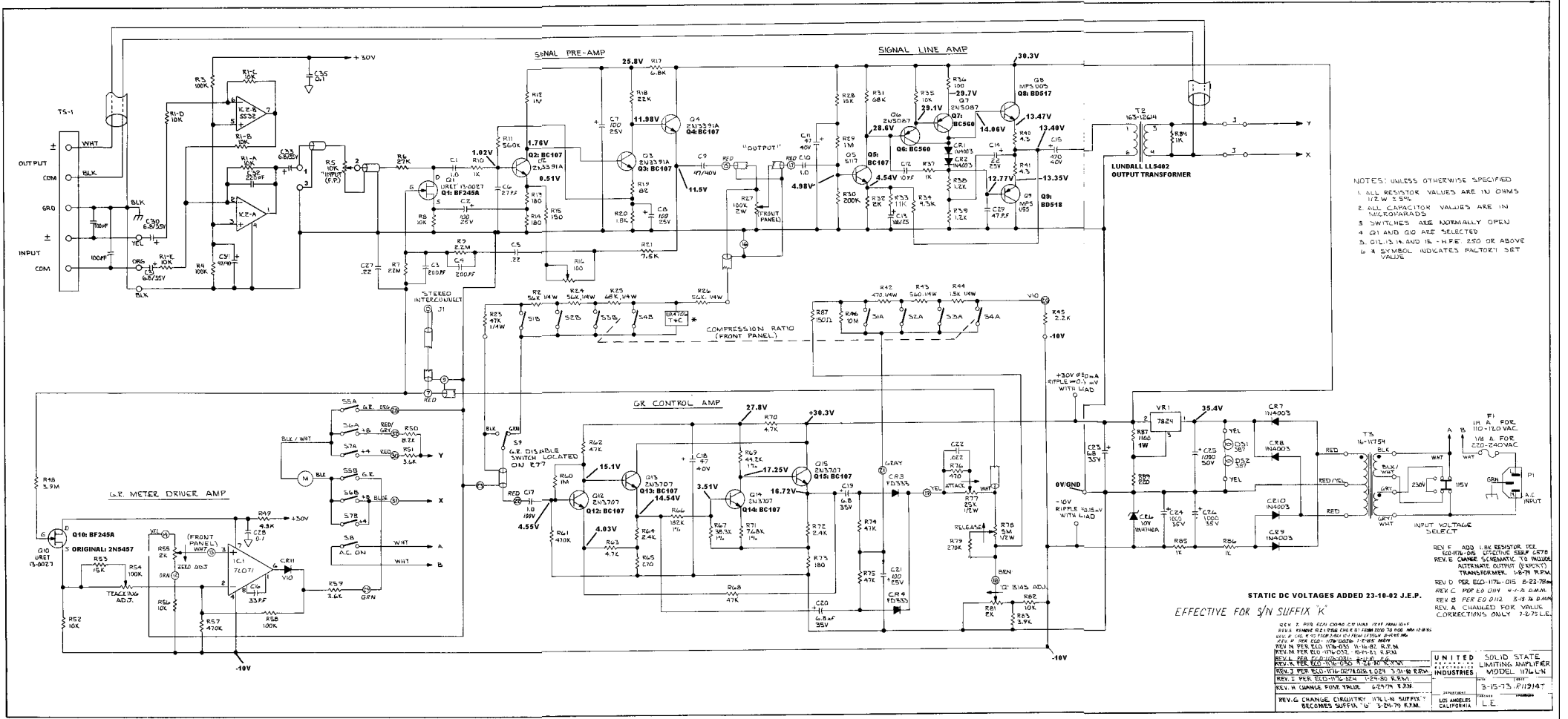
PCB IS 218 X 79 MM





POWER PINS

5B1	5
5B2	4
5B3	3

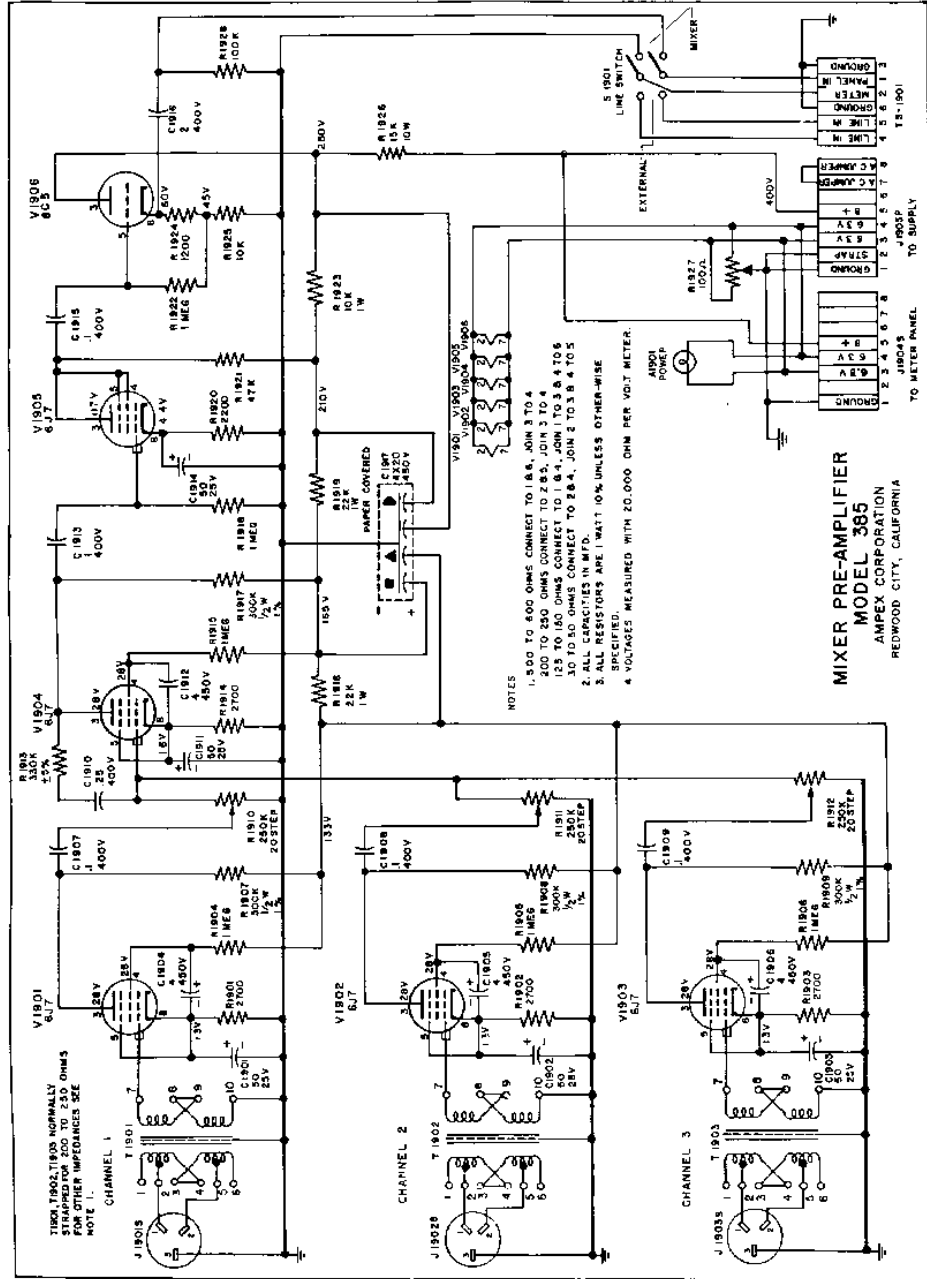


- NOTES: UNLESS OTHERWISE SPECIFIED
- 1 ALL RESISTOR VALUES ARE IN OHMS UNLESS OTHERWISE SPECIFIED
  - 2 ALL CAPACITOR VALUES ARE IN MICROFARADS
  - 3 SWITCHES ARE NORMALLY OPEN
  - 4 Q1 AND Q10 ARE SELECTED
  - 5 Q1, Q3 AND Q10 ARE 15-100F 250 OR ABOVE
  - 6 A SYMBOL INDICATES FACTORY SET VALUE

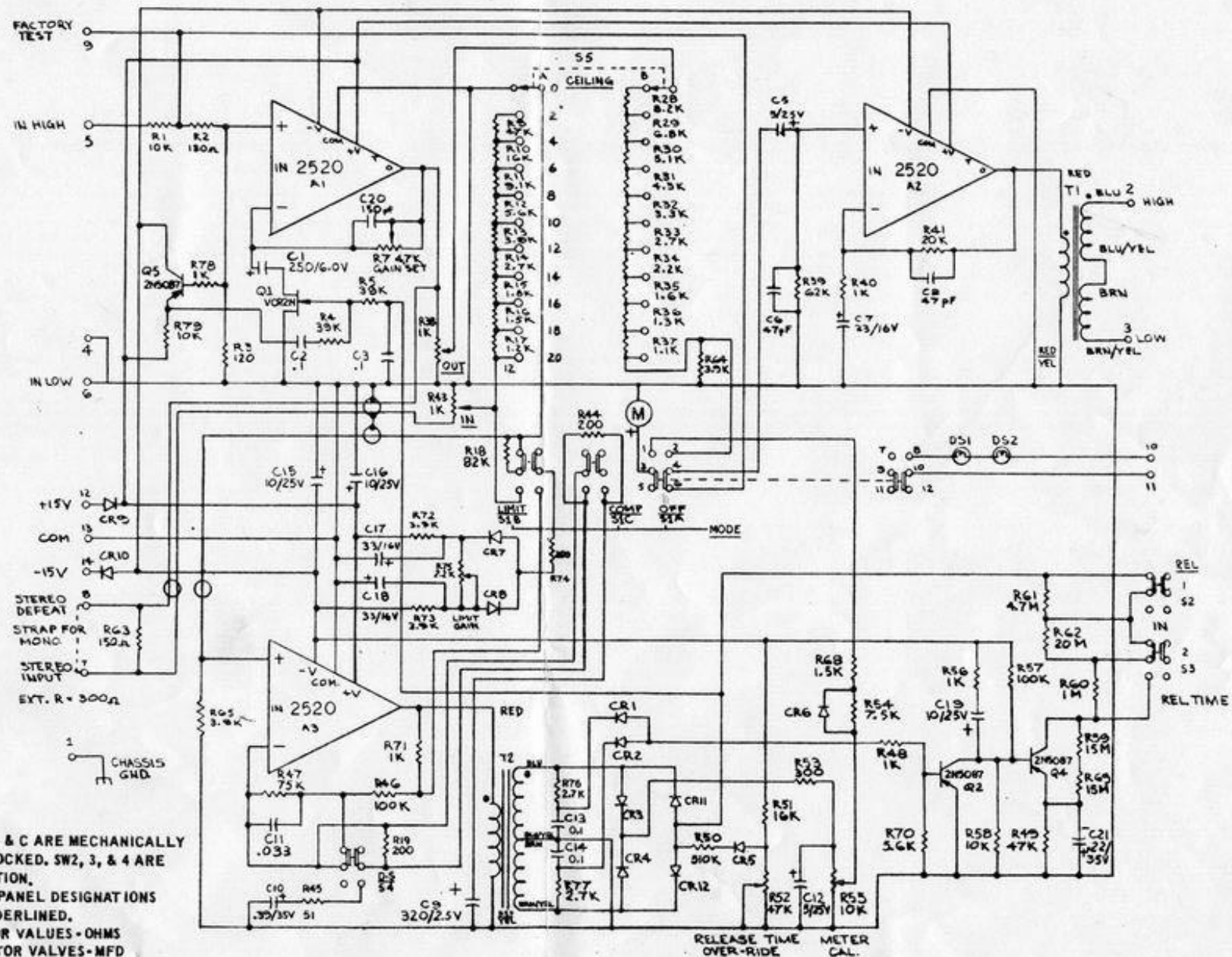
STATIC DC VOLTAGES ADDED 23-10-62 J.E.P.  
EFFECTIVE FOR S/N SUFFIX 'K'

REV. 1	PER ORIGINAL DESIGN	1957
REV. 2	PER CHANGING OF PARTS	1958
REV. 3	PER REVISIONS TO ORIGINAL DESIGN	1959
REV. 4	PER REVISIONS TO ORIGINAL DESIGN	1960
REV. 5	PER REVISIONS TO ORIGINAL DESIGN	1961
REV. 6	PER REVISIONS TO ORIGINAL DESIGN	1962
REV. 7	PER REVISIONS TO ORIGINAL DESIGN	1963
REV. 8	PER REVISIONS TO ORIGINAL DESIGN	1964
REV. 9	PER REVISIONS TO ORIGINAL DESIGN	1965
REV. 10	PER REVISIONS TO ORIGINAL DESIGN	1966
REV. 11	PER REVISIONS TO ORIGINAL DESIGN	1967
REV. 12	PER REVISIONS TO ORIGINAL DESIGN	1968
REV. 13	PER REVISIONS TO ORIGINAL DESIGN	1969
REV. 14	PER REVISIONS TO ORIGINAL DESIGN	1970
REV. 15	PER REVISIONS TO ORIGINAL DESIGN	1971
REV. 16	PER REVISIONS TO ORIGINAL DESIGN	1972
REV. 17	PER REVISIONS TO ORIGINAL DESIGN	1973
REV. 18	PER REVISIONS TO ORIGINAL DESIGN	1974
REV. 19	PER REVISIONS TO ORIGINAL DESIGN	1975
REV. 20	PER REVISIONS TO ORIGINAL DESIGN	1976
REV. 21	PER REVISIONS TO ORIGINAL DESIGN	1977
REV. 22	PER REVISIONS TO ORIGINAL DESIGN	1978
REV. 23	PER REVISIONS TO ORIGINAL DESIGN	1979
REV. 24	PER REVISIONS TO ORIGINAL DESIGN	1980
REV. 25	PER REVISIONS TO ORIGINAL DESIGN	1981
REV. 26	PER REVISIONS TO ORIGINAL DESIGN	1982
REV. 27	PER REVISIONS TO ORIGINAL DESIGN	1983
REV. 28	PER REVISIONS TO ORIGINAL DESIGN	1984
REV. 29	PER REVISIONS TO ORIGINAL DESIGN	1985
REV. 30	PER REVISIONS TO ORIGINAL DESIGN	1986
REV. 31	PER REVISIONS TO ORIGINAL DESIGN	1987
REV. 32	PER REVISIONS TO ORIGINAL DESIGN	1988
REV. 33	PER REVISIONS TO ORIGINAL DESIGN	1989
REV. 34	PER REVISIONS TO ORIGINAL DESIGN	1990
REV. 35	PER REVISIONS TO ORIGINAL DESIGN	1991
REV. 36	PER REVISIONS TO ORIGINAL DESIGN	1992
REV. 37	PER REVISIONS TO ORIGINAL DESIGN	1993
REV. 38	PER REVISIONS TO ORIGINAL DESIGN	1994
REV. 39	PER REVISIONS TO ORIGINAL DESIGN	1995
REV. 40	PER REVISIONS TO ORIGINAL DESIGN	1996
REV. 41	PER REVISIONS TO ORIGINAL DESIGN	1997
REV. 42	PER REVISIONS TO ORIGINAL DESIGN	1998
REV. 43	PER REVISIONS TO ORIGINAL DESIGN	1999
REV. 44	PER REVISIONS TO ORIGINAL DESIGN	2000

UNITED SOLID STATE  
LIMITING AMPLIFIER  
INDUSTRIES MODEL 177-LN  
3-15-73 J.P.1212AT  
LOS ANGELES CALIFORNIA

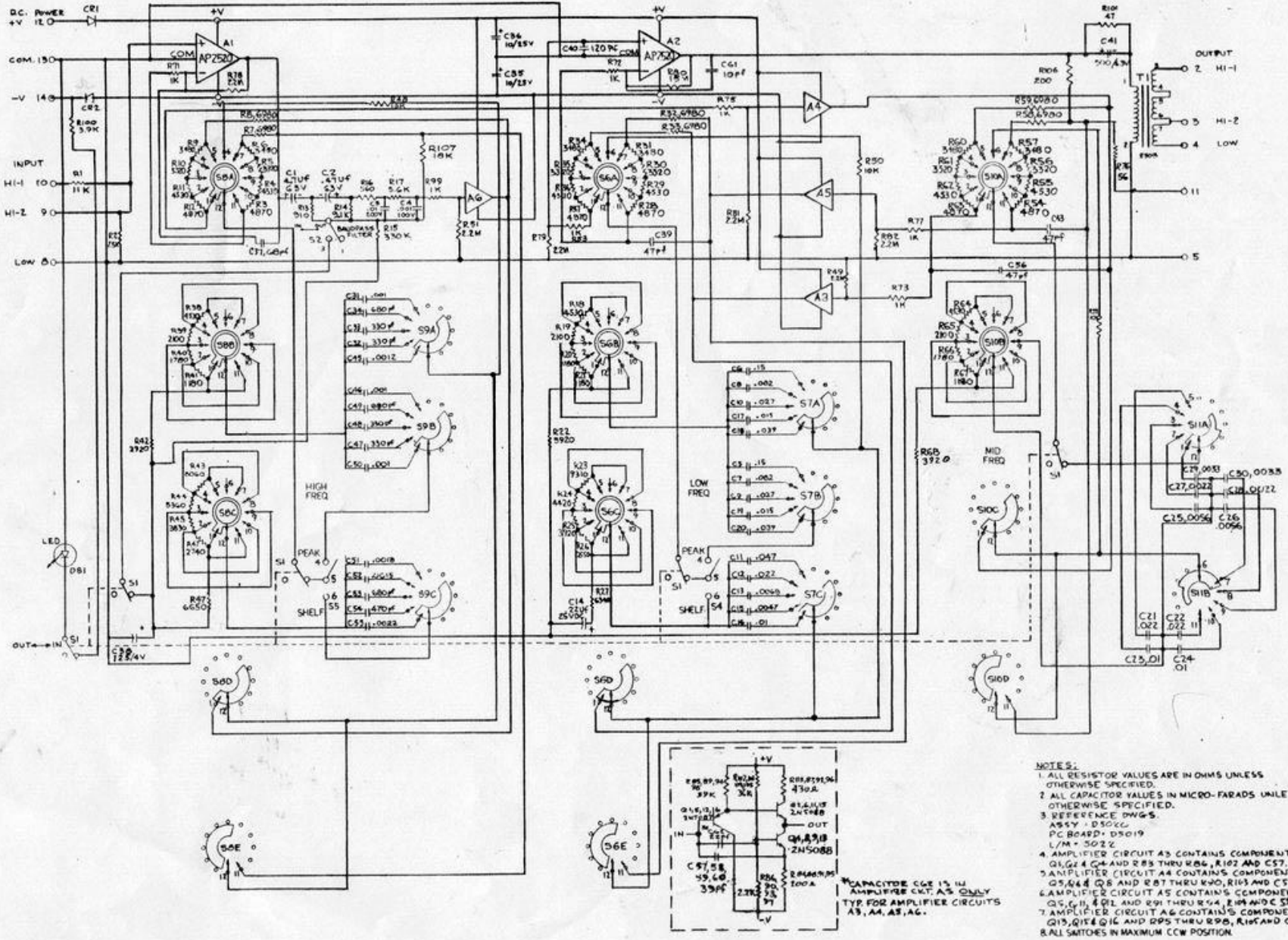


ED-543 10-26-54  
 FIG. 1

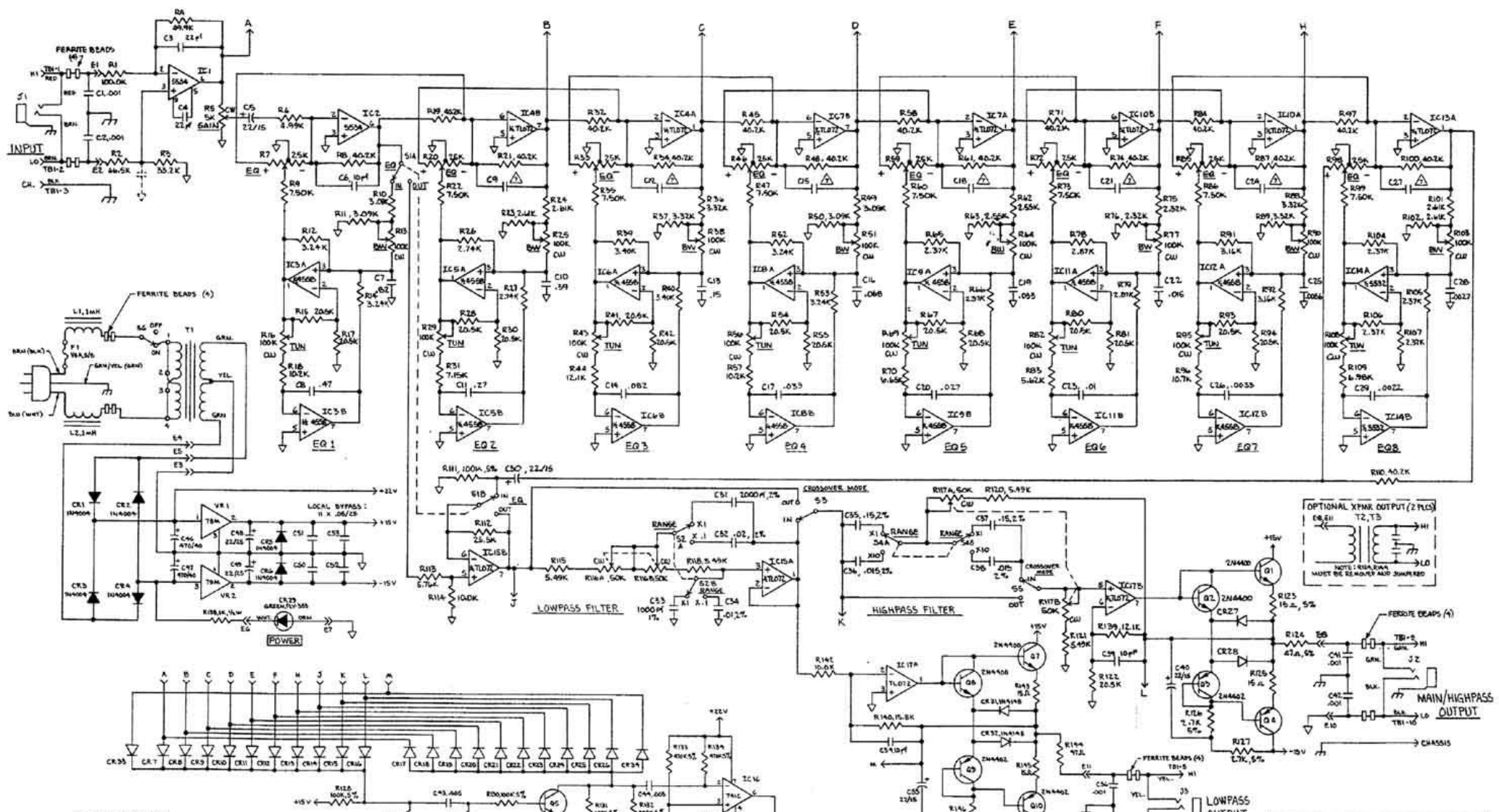


MODEL 525C AUDIO COMPRESSOR-LIMITER

# MODEL 550A EQUALIZER SCHEMATIC



- NOTES:**
- 1 ALL RESISTOR VALUES ARE IN OHMS UNLESS OTHERWISE SPECIFIED.
  - 2 ALL CAPACITOR VALUES IN MICRO-FARADS UNLESS OTHERWISE SPECIFIED.
  - 3 REFERENCE DWGS. AR57, D5055, PC BOARD, D5019, L/M = 5022
  - 4 AMPLIFIER CIRCUIT A3 CONTAINS COMPONENTS Q1, Q2 & Q3 AND R38 THRU R40, R102 AND C57.
  - 5 AMPLIFIER CIRCUIT A4 CONTAINS COMPONENTS Q5, Q4 & Q8 AND R87 THRU R90, R103 AND C58.
  - 6 AMPLIFIER CIRCUIT A5 CONTAINS COMPONENTS Q5, Q11, Q12 AND R91 THRU R94, R104 AND C59 & C60.
  - 7 AMPLIFIER CIRCUIT A6 CONTAINS COMPONENTS Q19, Q18 & Q16 AND Q25 THRU Q28, R105 AND C60.
  - 8 ALL SWITCHES IN MAXIMUM CCW POSITION.

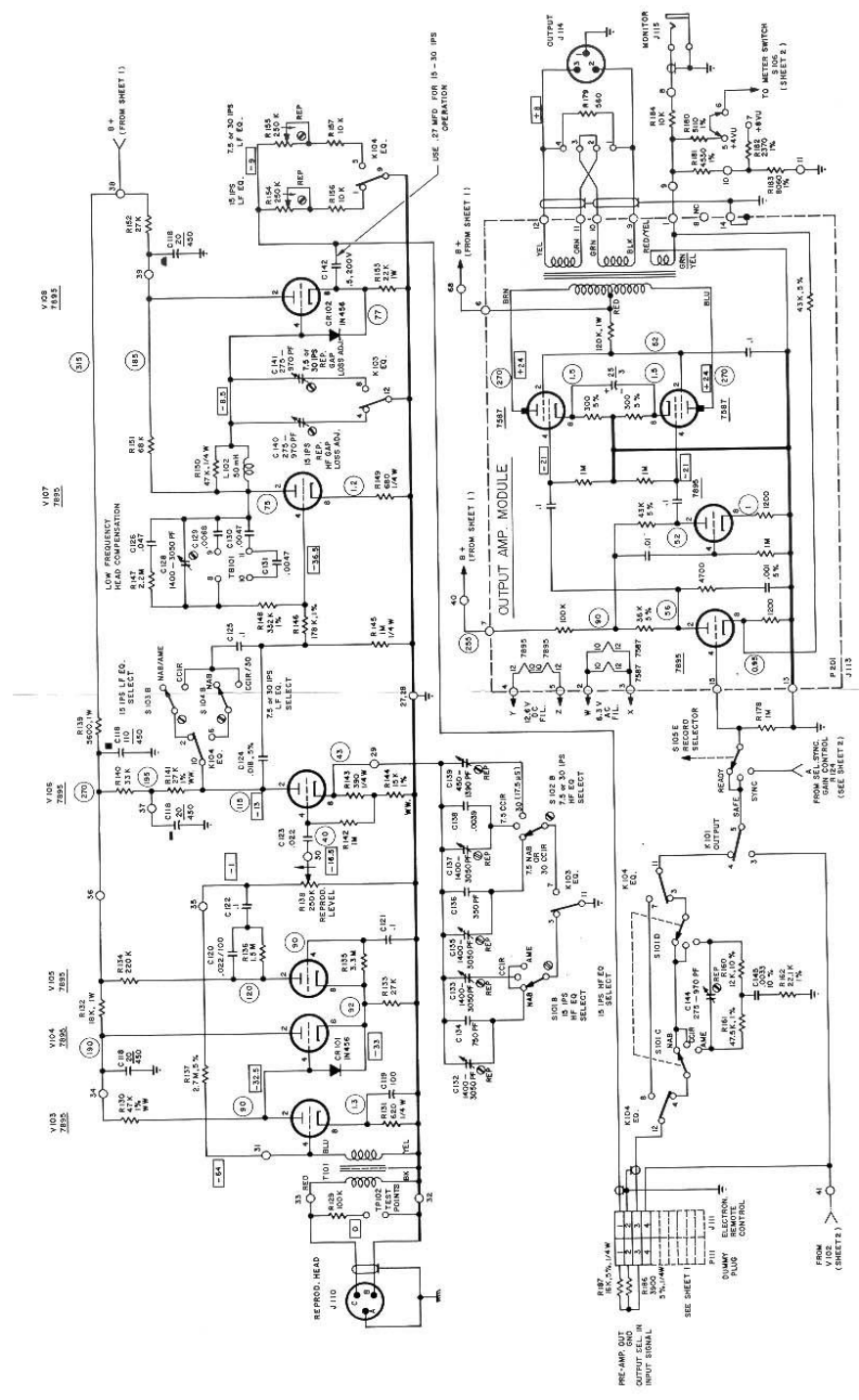


7. USE AS SHOWN BY TEST
  8. CR13 & CR12 ARE .05/25 DISC. CAP. USE AS SHOWN BY TEST
  9. RES. DOCUMENTS: A507, B0125-TOP, -XX FMM, R557, W008-WF, XX
  10. C1, C2, C3, R1, R2, C24, C27 ARE 100P. MICA, USED AS SHOWN BY TEST
  11. RHOODS: CR1, CR6 ARE 100000; CR7, CR28, CR31, CR34 ARE 100000
  12. ALL CAPACITORS ARE IN MICROFARADS
  13. ALL RESISTORS ARE 1/8 W, 1% ARE
- NOTE: UNLESS OTHERWISE SPECIFIED

POWER PIN	14V	15V	16V
741	7	4	4
4558	8	4	4
555A	7	4	4
7407	8	4	4
555B	8	4	4

**orban** Orban Associates Inc.

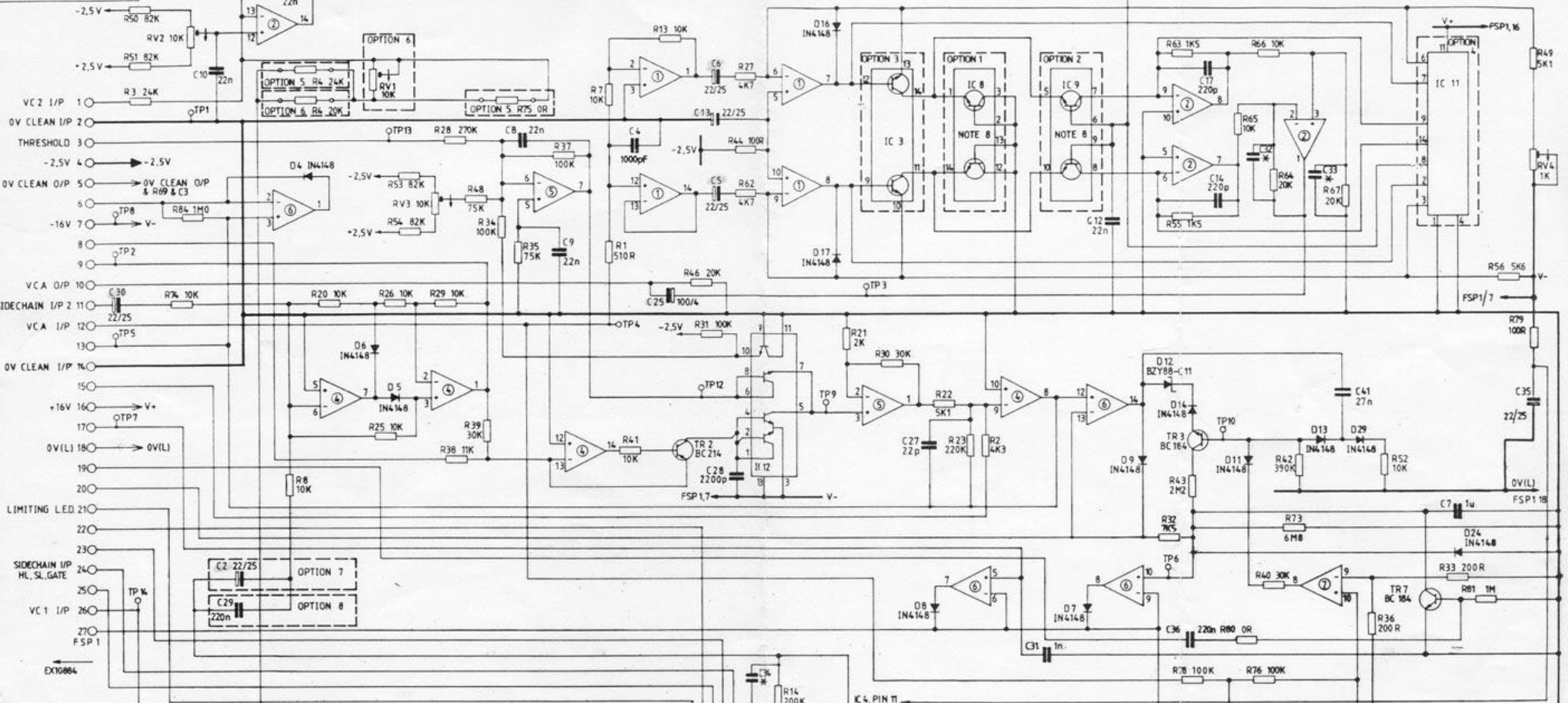
TITLE: SCHEMATIC MODEL 672A 30125-000-06



40

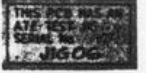
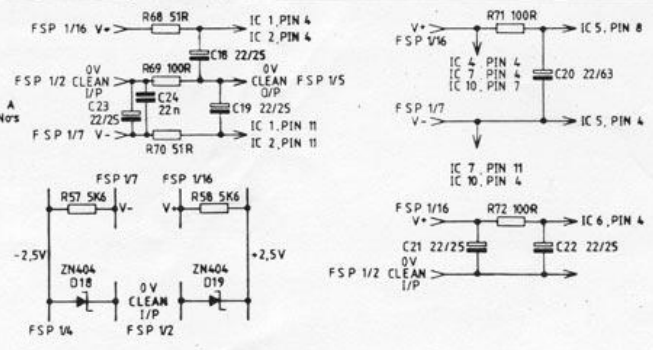


EX 10885

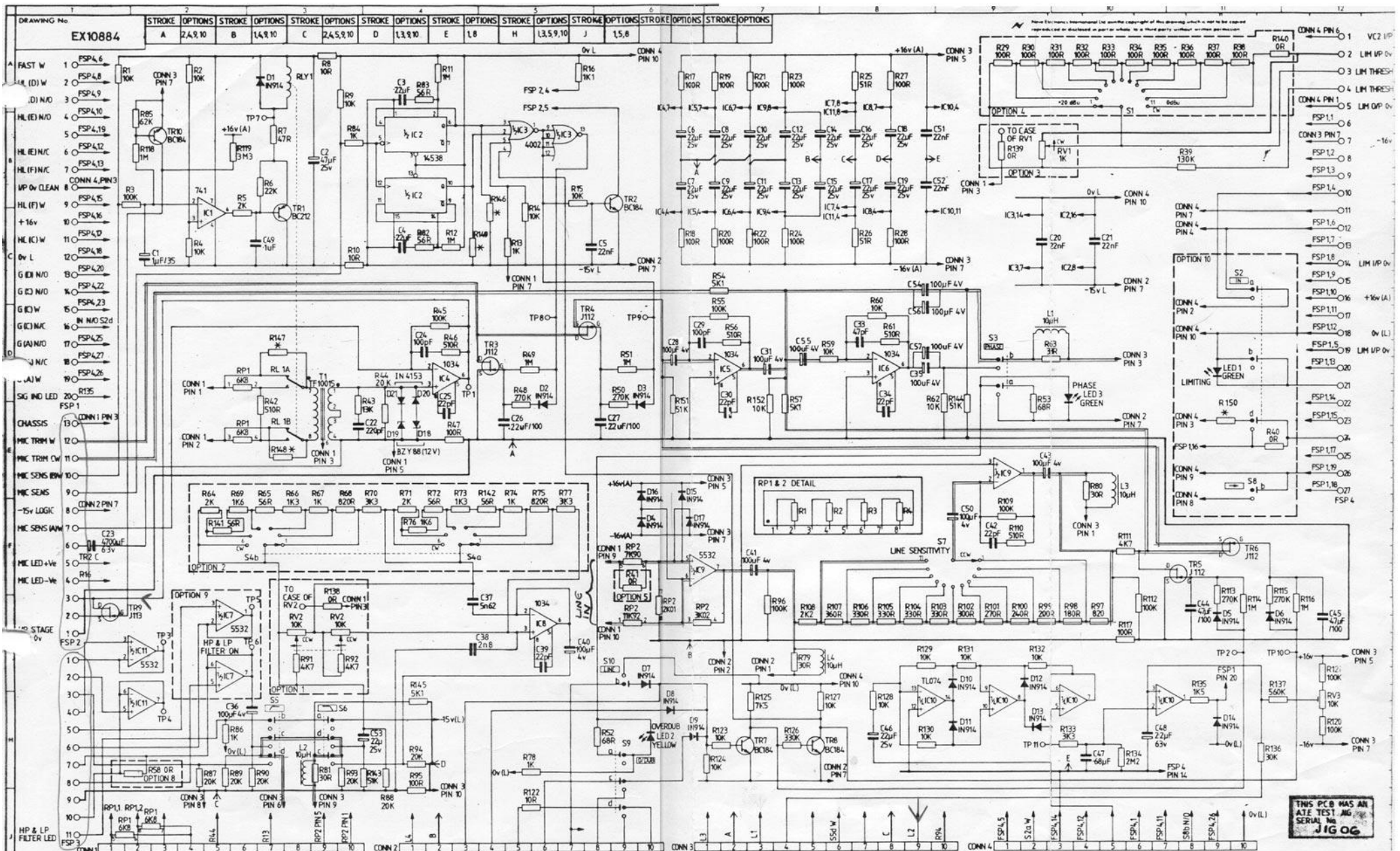


- NOTES**
- IC's 1 & 2 ARE LF 347
  - IC's 4, 6 & 7 ARE TLO74
  - IC 5 IS 5532
  - IC's 8 & 9 ARE LM394CH
  - IC 10 IS LF 356
  - IC 11 IS 1538
  - IC's 3 & 12 ARE 3086
  - IC's 8 & 9 ARE FITTED INTO A 1/4 PIN D.I.L. SKT. THE PIN Nos OF WHICH ARE SHOWN.

STROKE	OPTIONS
B	1, 2, 3, 5 & 7
A	4, 5 & 7



\* COMPONENTS NOT FITTED

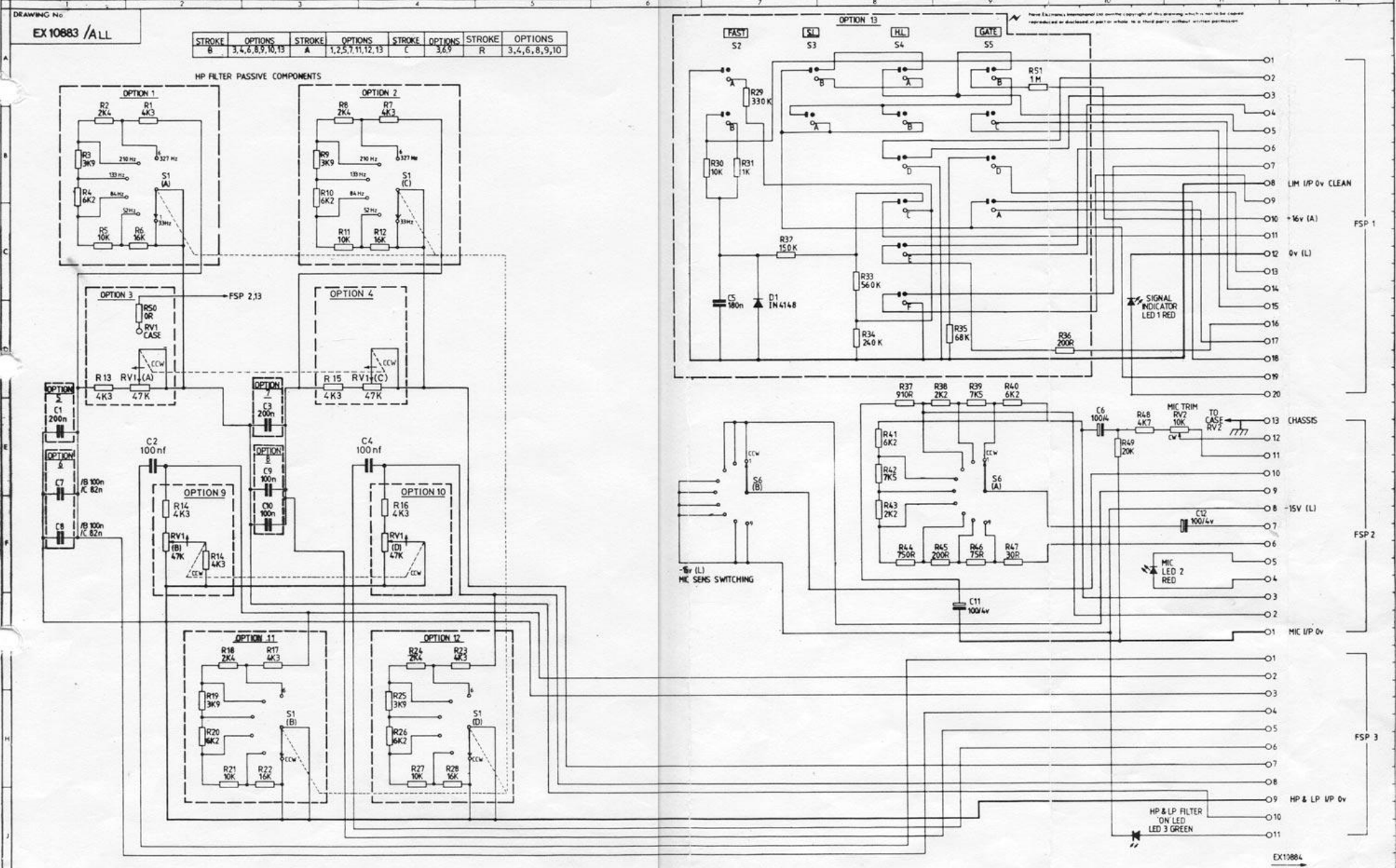


THIS PCB HAS ALL  
LATE TEST ANG  
SERIAL NO  
JIG 06

\* COMPONENTS NOT FITTED

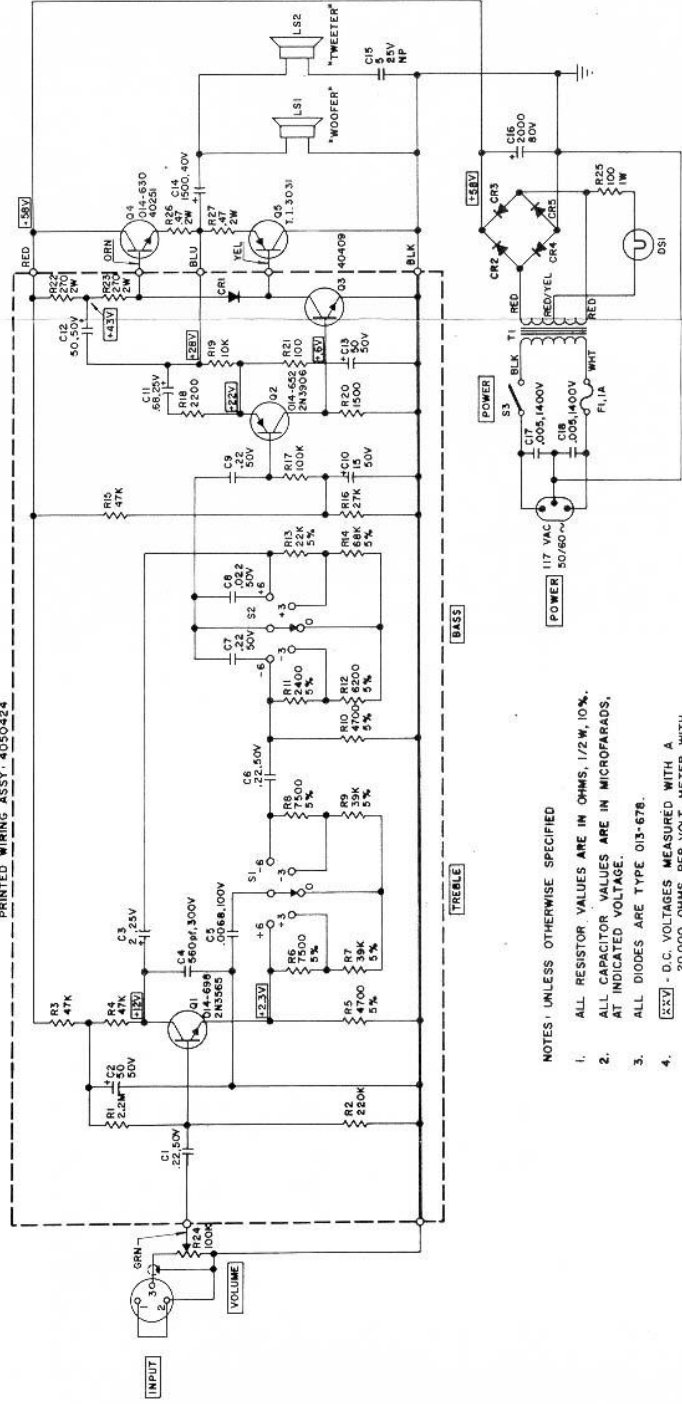
FIRST USED ON	DATE	ISSUE	MATL
D367			
DRN	CEW	FINISH	ANGULAR PROCES
CHANGE	LJK	TITLE	SCALE
NOTE NO	CHECKED	NHS INPUT MODULE MOTHER BOARD	EX10884
CHECKED		Neve Electronics International Ltd.	1981

9	8	7	6	5	4	3	2	1	T	S	R	B	A	ISSUE
5 DEC 83	15 AUG 83	10 MAR 83	10 JAN 83	10 JAN 83	10 JAN 83	1 NOV 82	23 AUG 82	2 82	12.1.82	6.1.82	9/10/81	18/9/81	20/5/81	DATE
31024	30992	62301	62222	62201	30974	62067	61008	61633	61606	61536				TRACED
														CHECKED
MER								JFL		CEW				



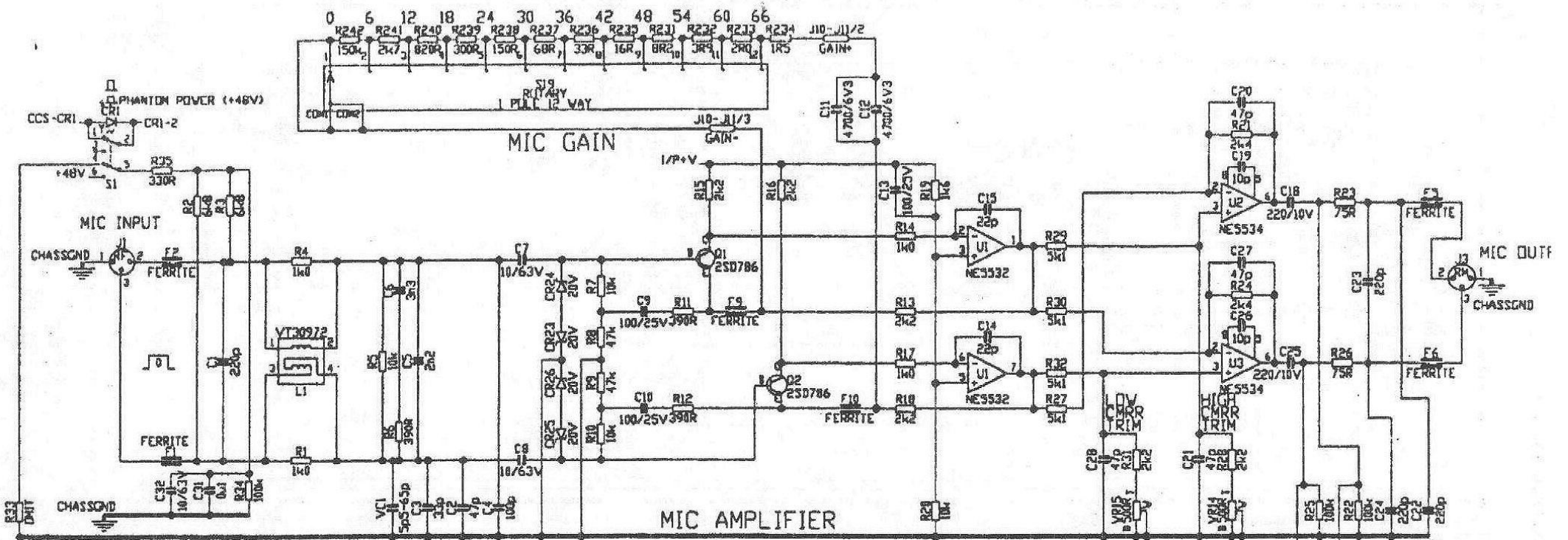
7	6	5	4	3	2	1	B	A	ISSUE	FIRST USED ON	MATL	1/01 UNLESS OTHERWISE STATED	
1 MAY 84	2 SEP 83	5-3-82	8-2-82	12-1-82	5-11-81	2-10-81	7-8-81	24/6/81	DATE	DRN	FINISH	LINEAR HOLE	
31058	6253 62479	64688	61636	61605					CHANGE NOTE NO	TRACED	TITLE	DRG No	
P.M.L.	RC	LOW	CEW		CEW	CEW			CHECKED	CHECKED	NNS INPUT MODULE - SHORT SWITCH BOARD	EX 10883/ALL	
CHECKED											Nveve Electronics International Ltd.		1981

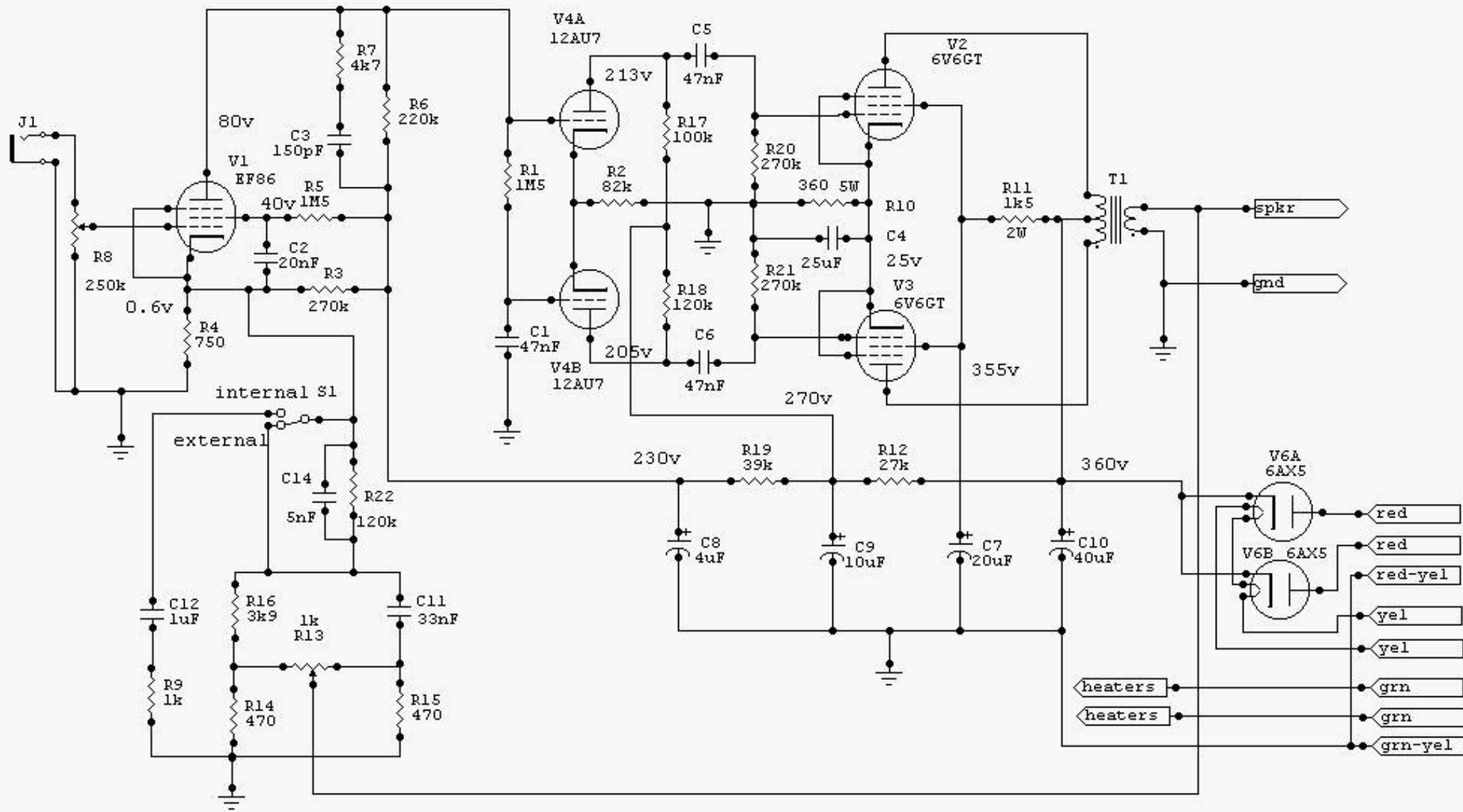
PRINTED WIRING ASSY. 4050424



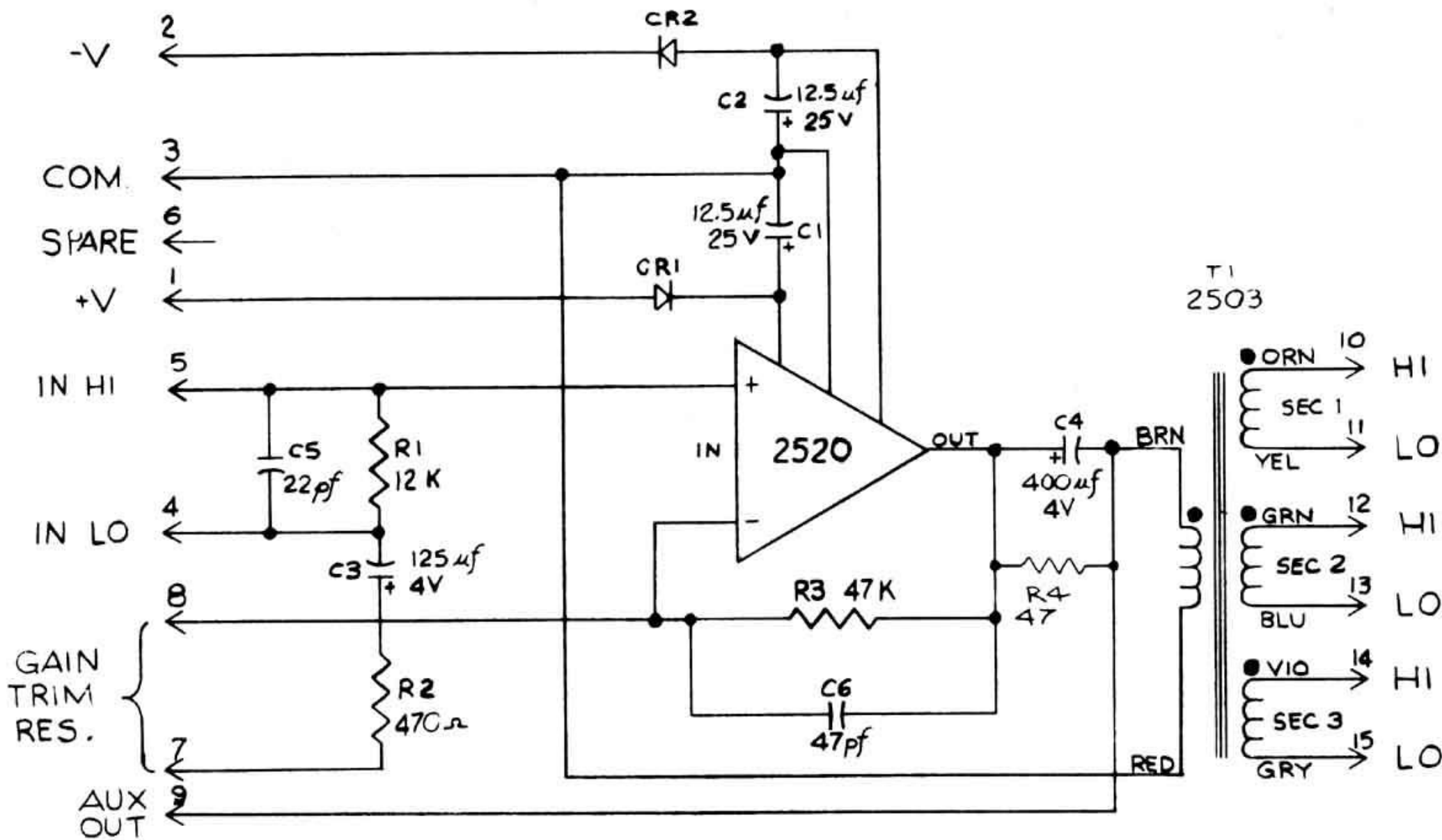
NOTES: UNLESS OTHERWISE SPECIFIED

1. ALL RESISTOR VALUES ARE IN OHMS, 1/2 W, 10%.
2. ALL CAPACITOR VALUES ARE IN MICROFARADS, AT INDICATED VOLTAGE.
3. ALL DIODES ARE TYPE 013-678.
4. [25V] - D.C. VOLTAGES MEASURED WITH A 20,000 OHMS PER VOLT METER WITH NO OUTPUT.

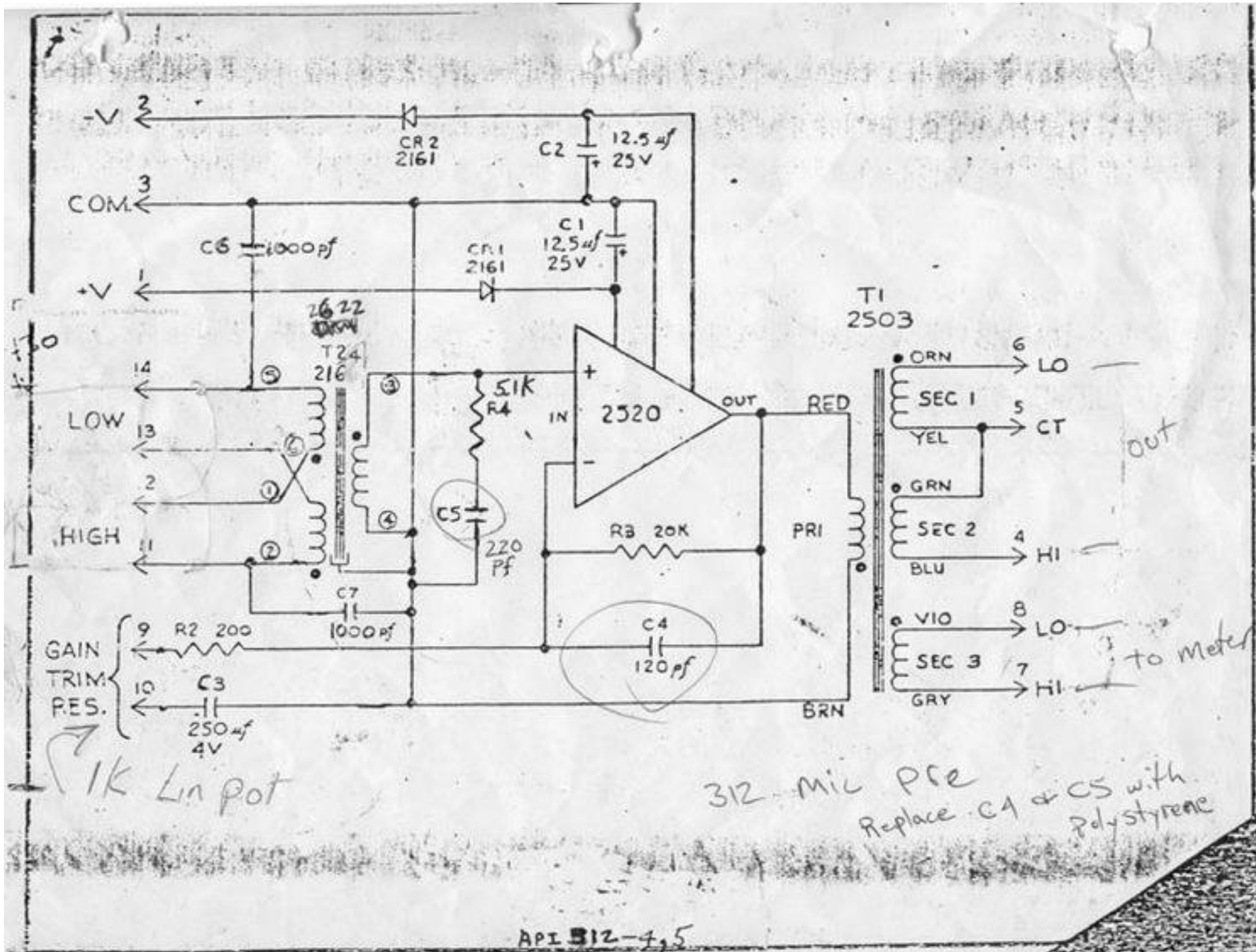




Ampex 612 Speaker Amplifier  
 Drawn: 1/21/2000



MODEL 325 LINE AMPLIFIER SCHEMATIC

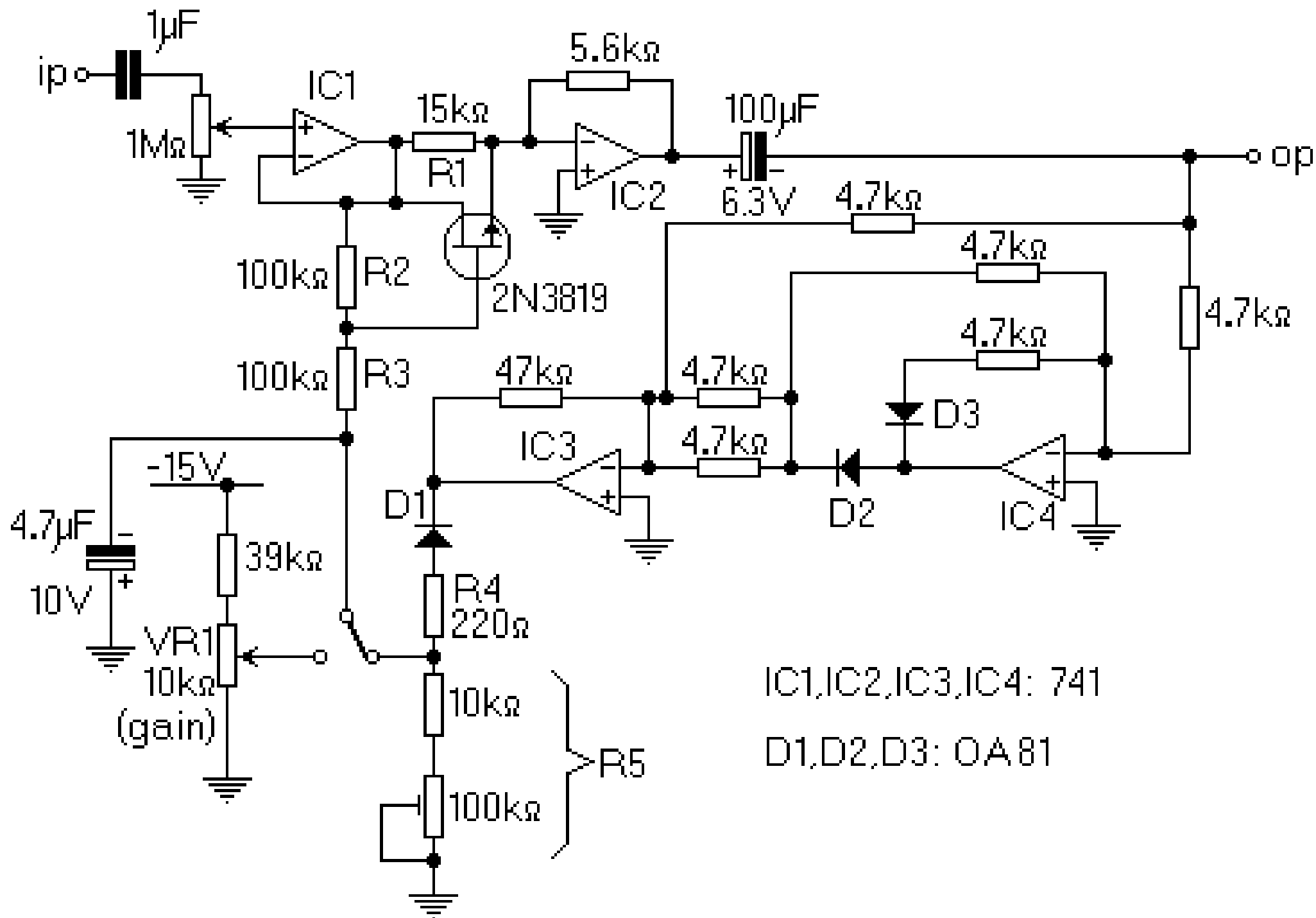


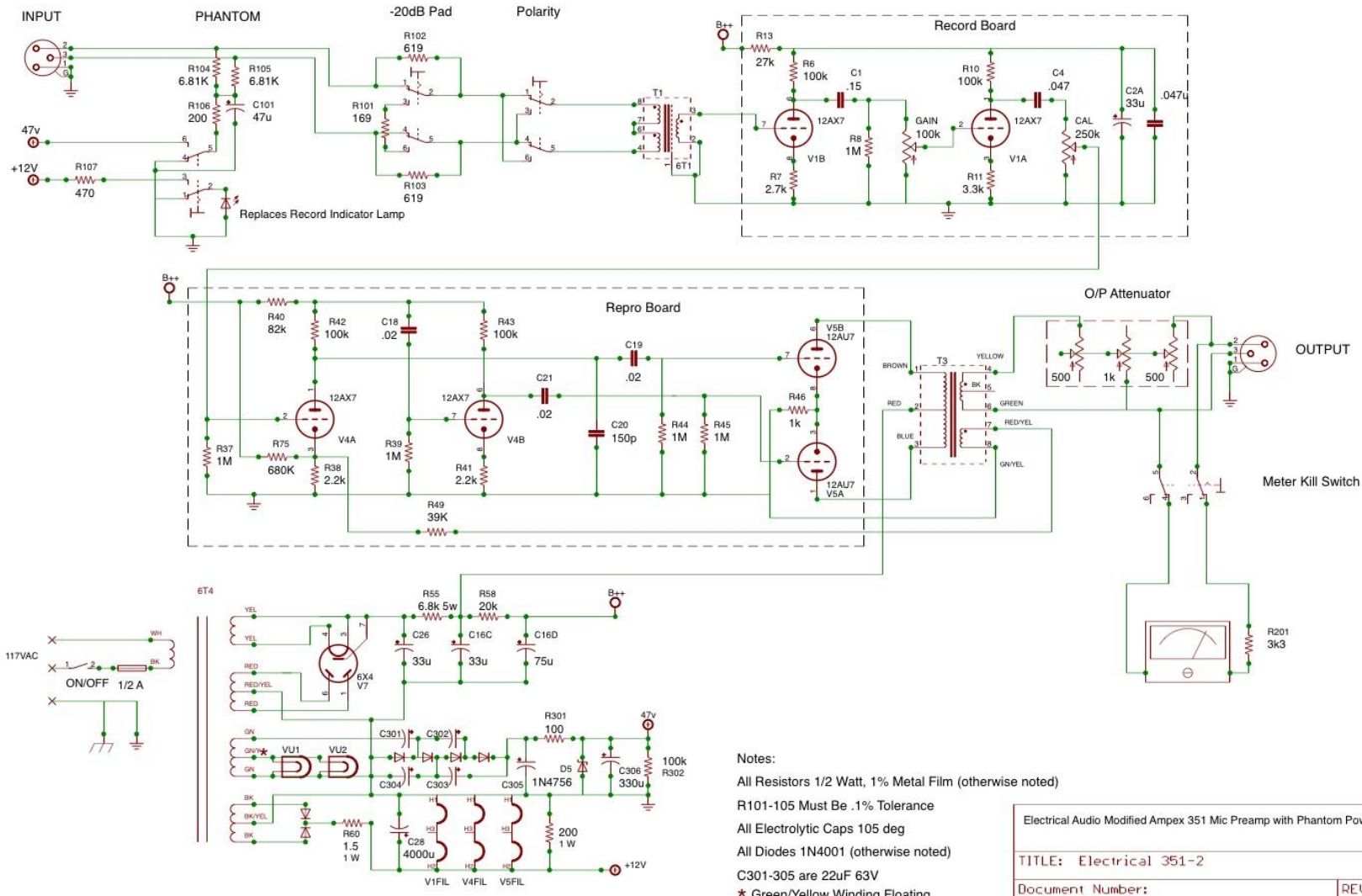
GAIN TRIM RES. 9 R2 200 10 C3 250 uf 4V

1K Lin pot

312-Mic pre  
Replace C1 & C5 with polystyrene

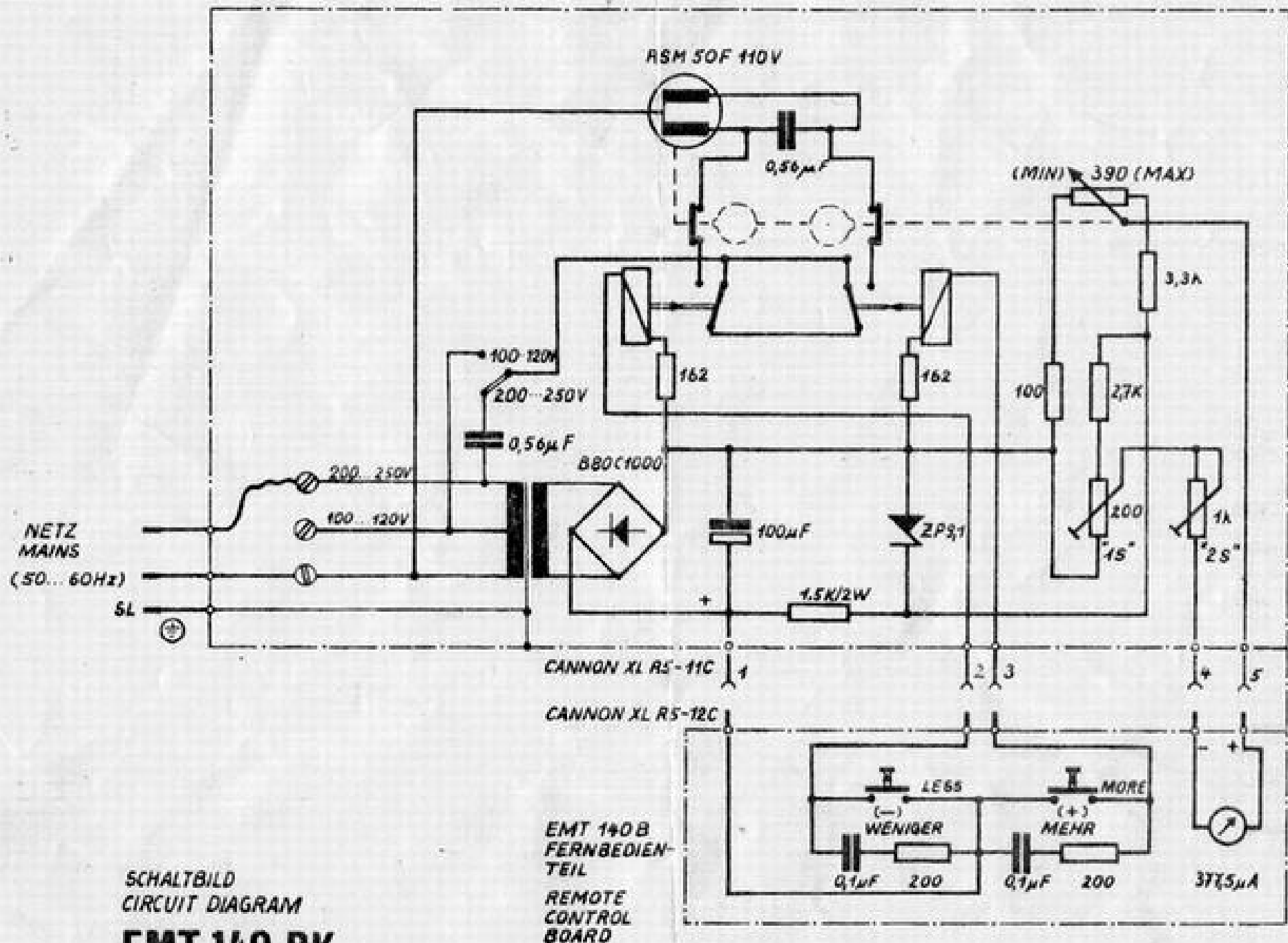






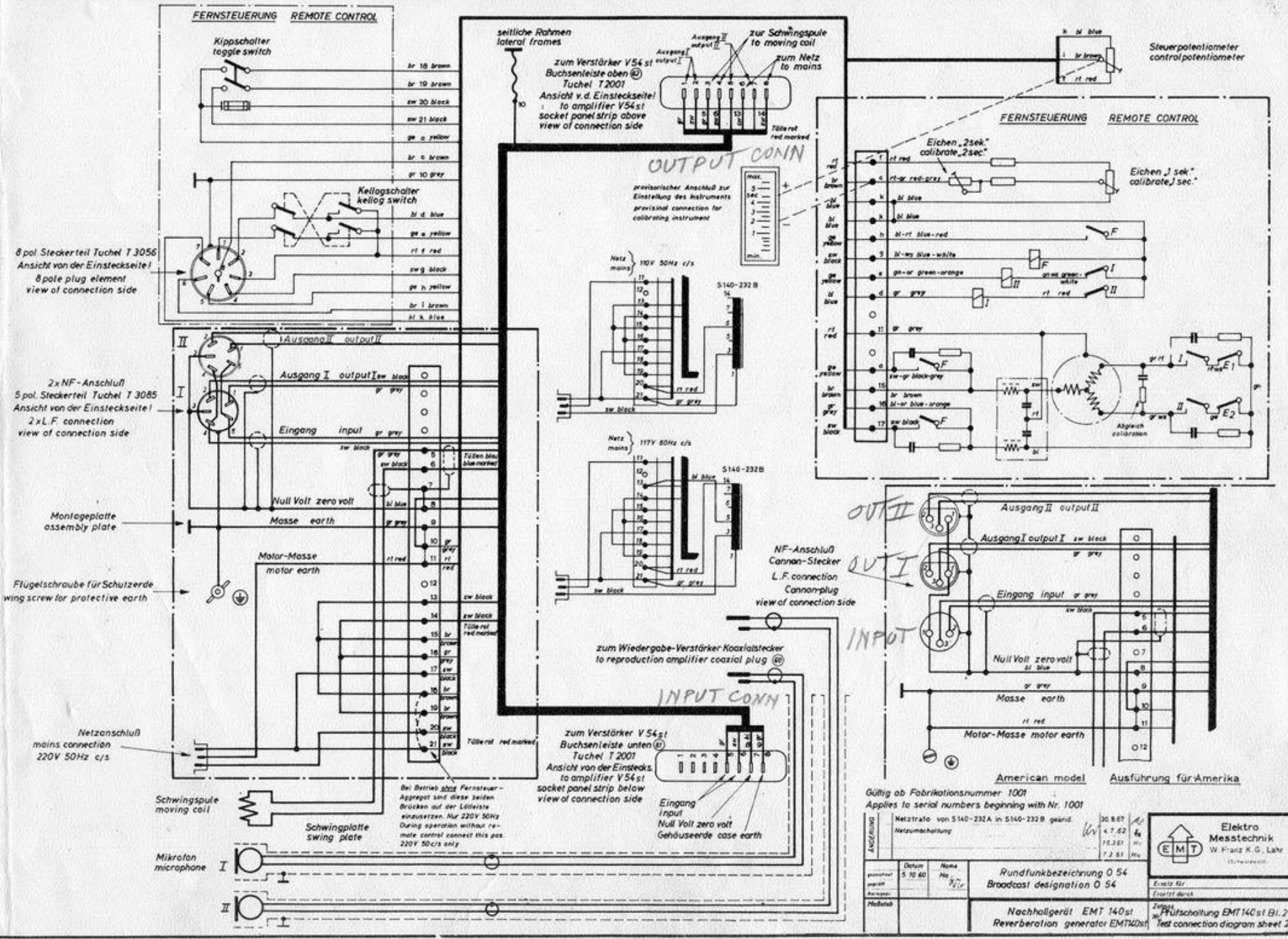
- Notes:
- All Resistors 1/2 Watt, 1% Metal Film (otherwise noted)
  - R101-105 Must Be .1% Tolerance
  - All Electrolytic Caps 105 deg
  - All Diodes 1N4001 (otherwise noted)
  - C301-305 are 22uF 63V
  - \* Green/Yellow Winding Floating

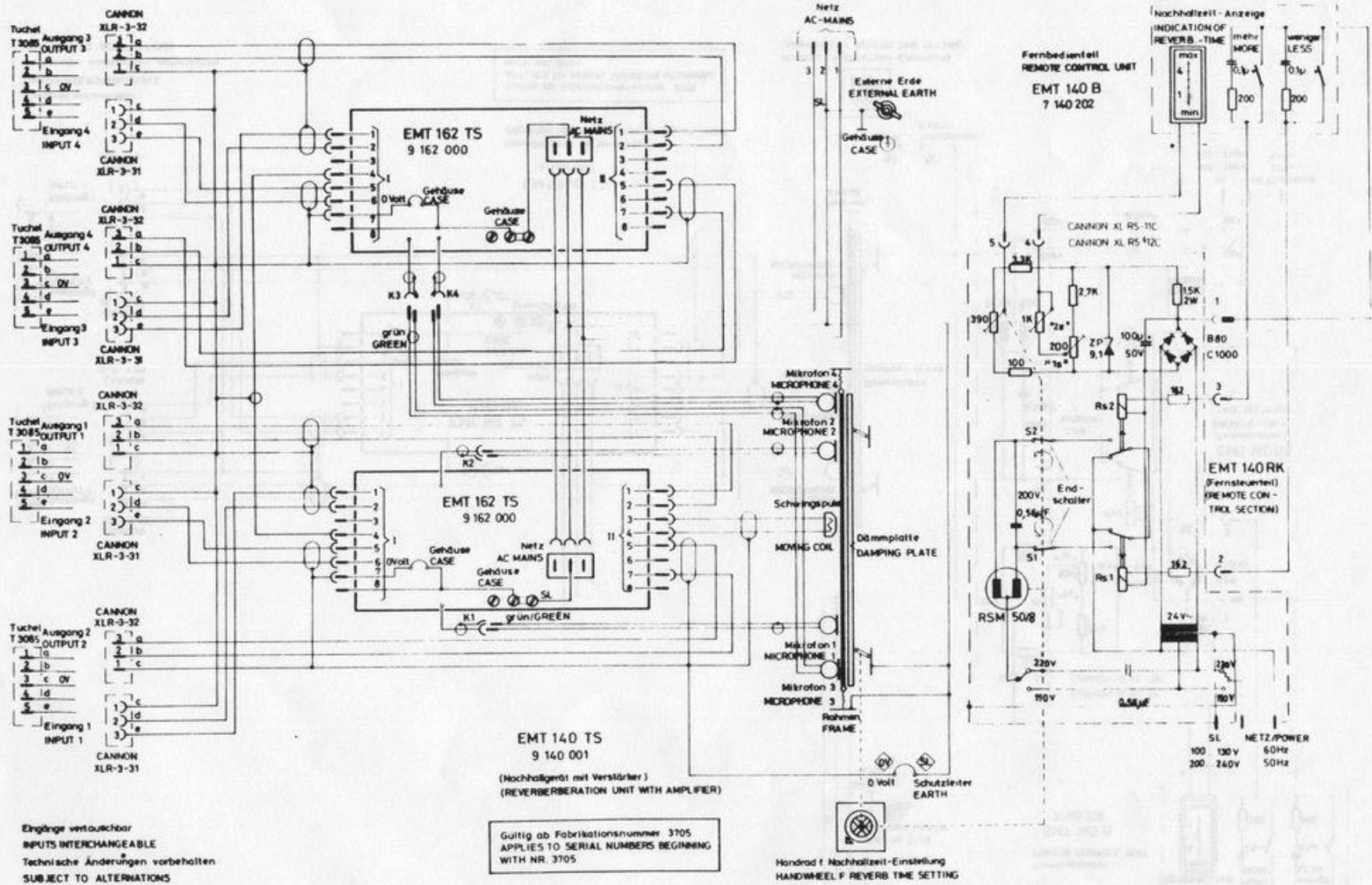
Electrical Audio Modified Ampex 351 Mic Preamp with Phantom Power	
TITLE: Electrical 351-2	
Document Number:	REU:
Date: 8/12/09 12:53 PM	Sheet: 1/1



SCHALTBILD  
CIRCUIT DIAGRAM

**EMT 140 RK**

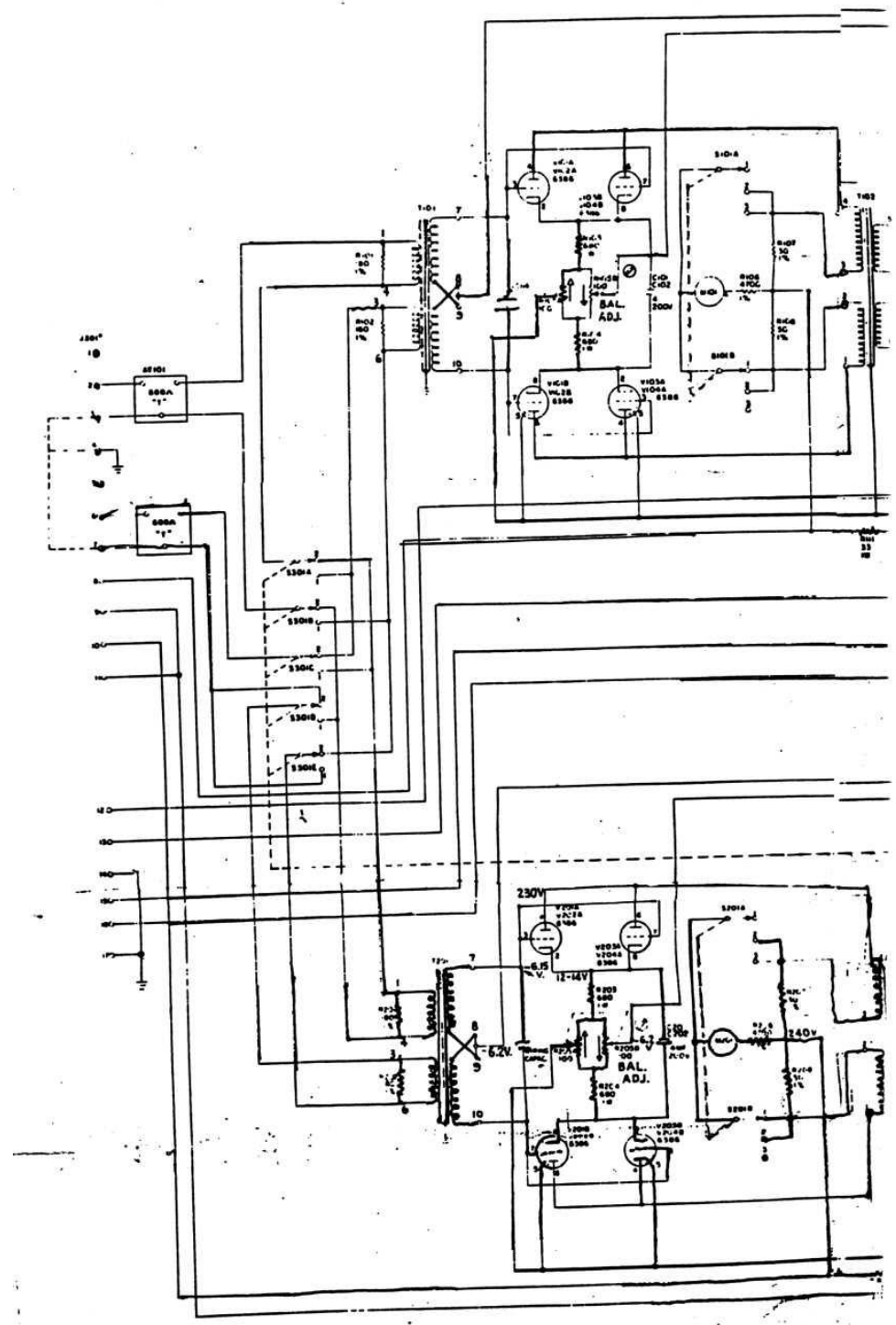


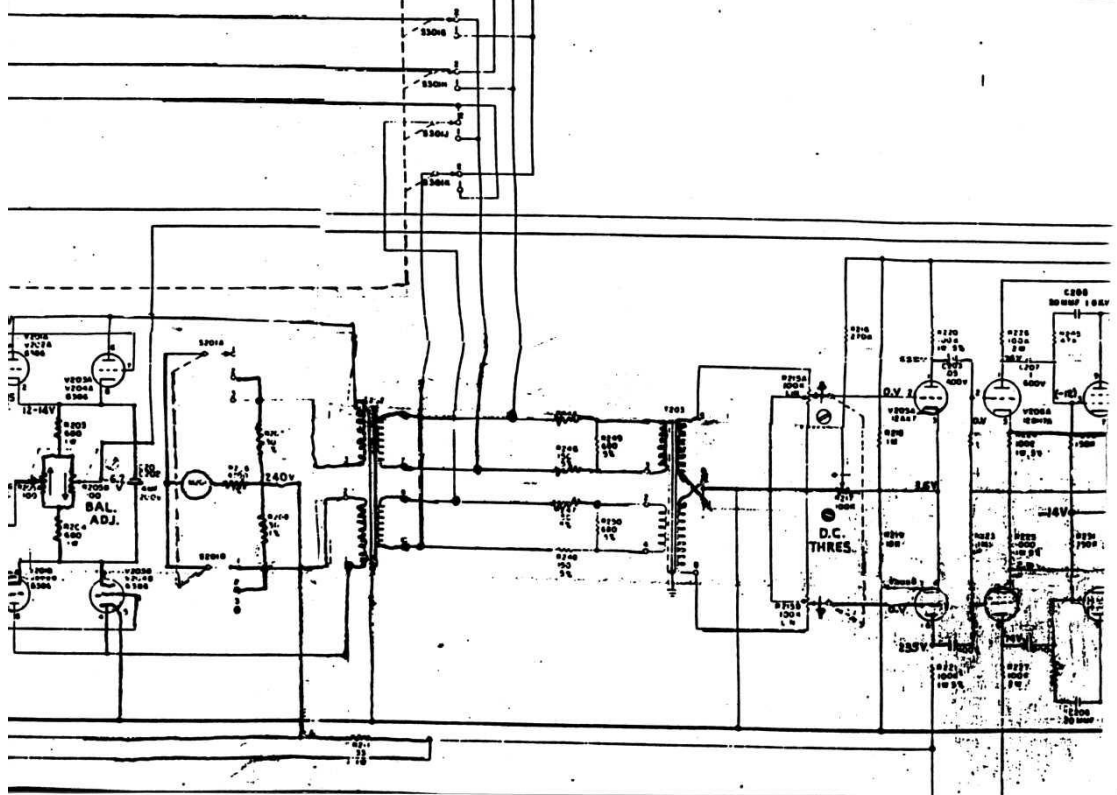
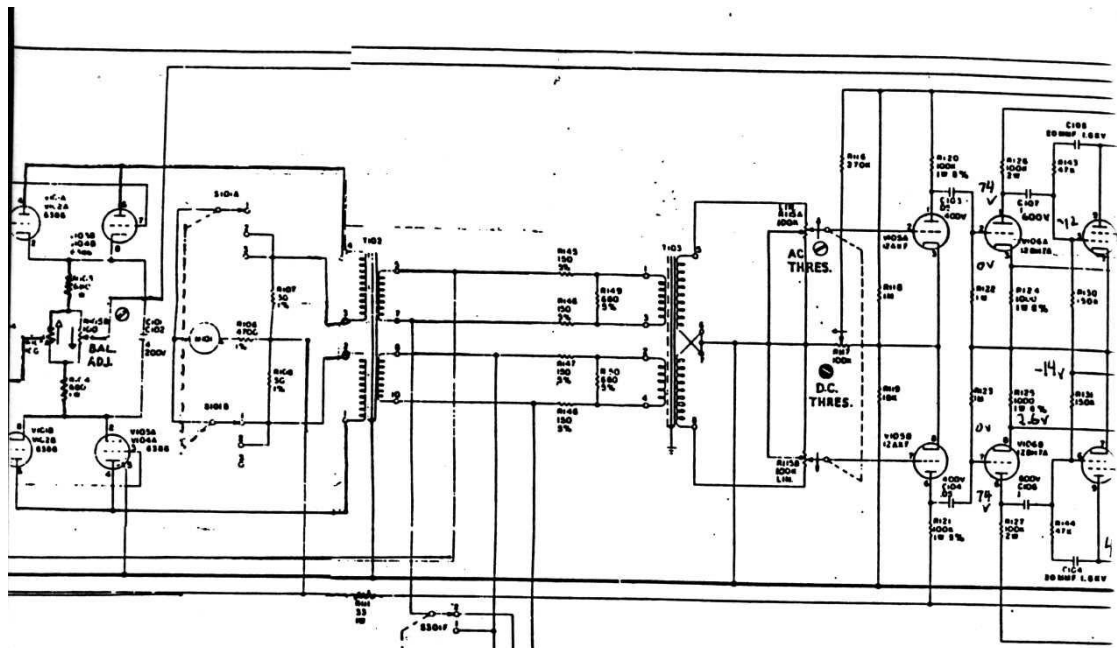


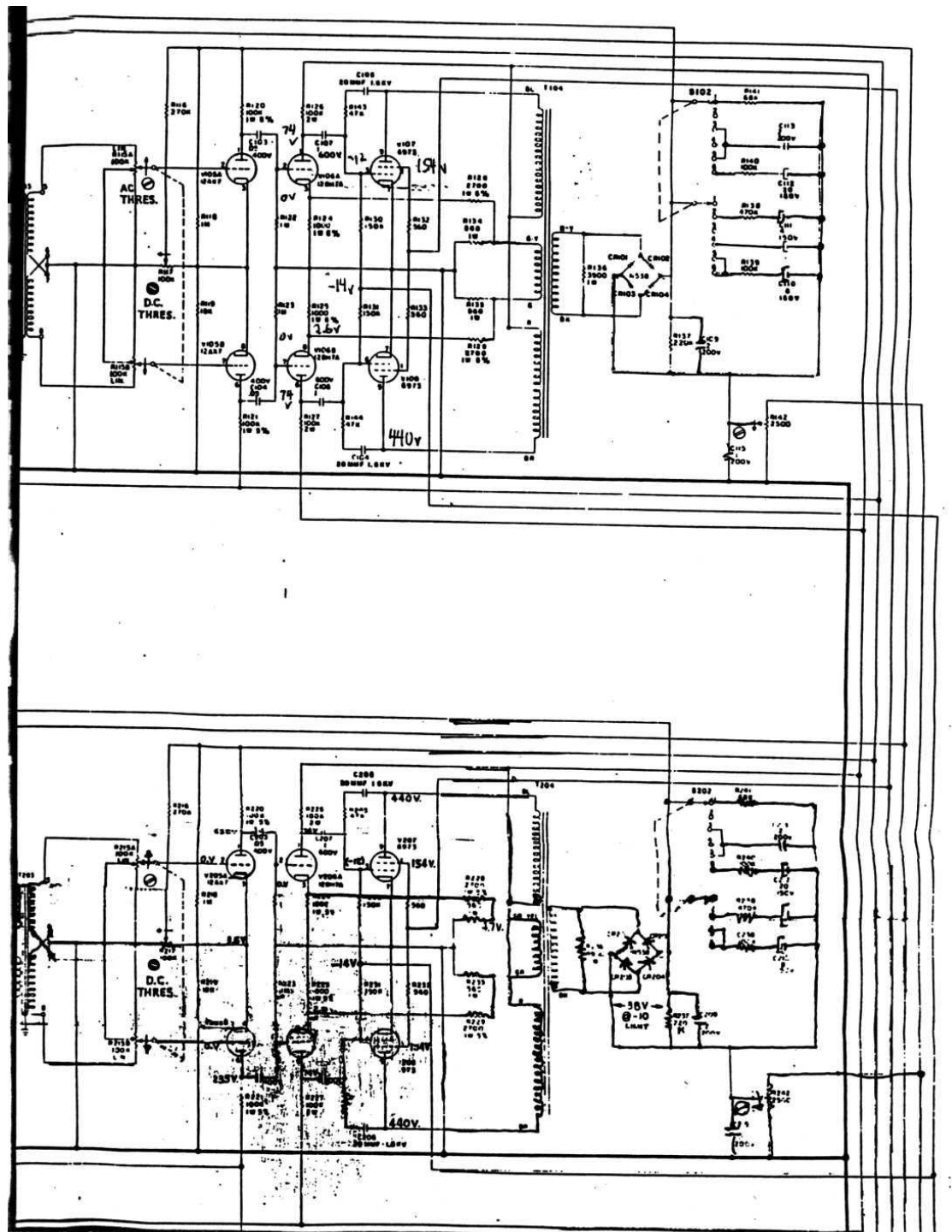
Eingänge vertauschbar  
 INPUTS INTERCHANGEABLE  
 Technische Änderungen vorbehalten  
 SUBJECT TO ALTERATIONS

Gültig ab Fabrikationsnummer 3705  
 APPLIES TO SERIAL NUMBERS BEGINNING  
 WITH NR. 3705

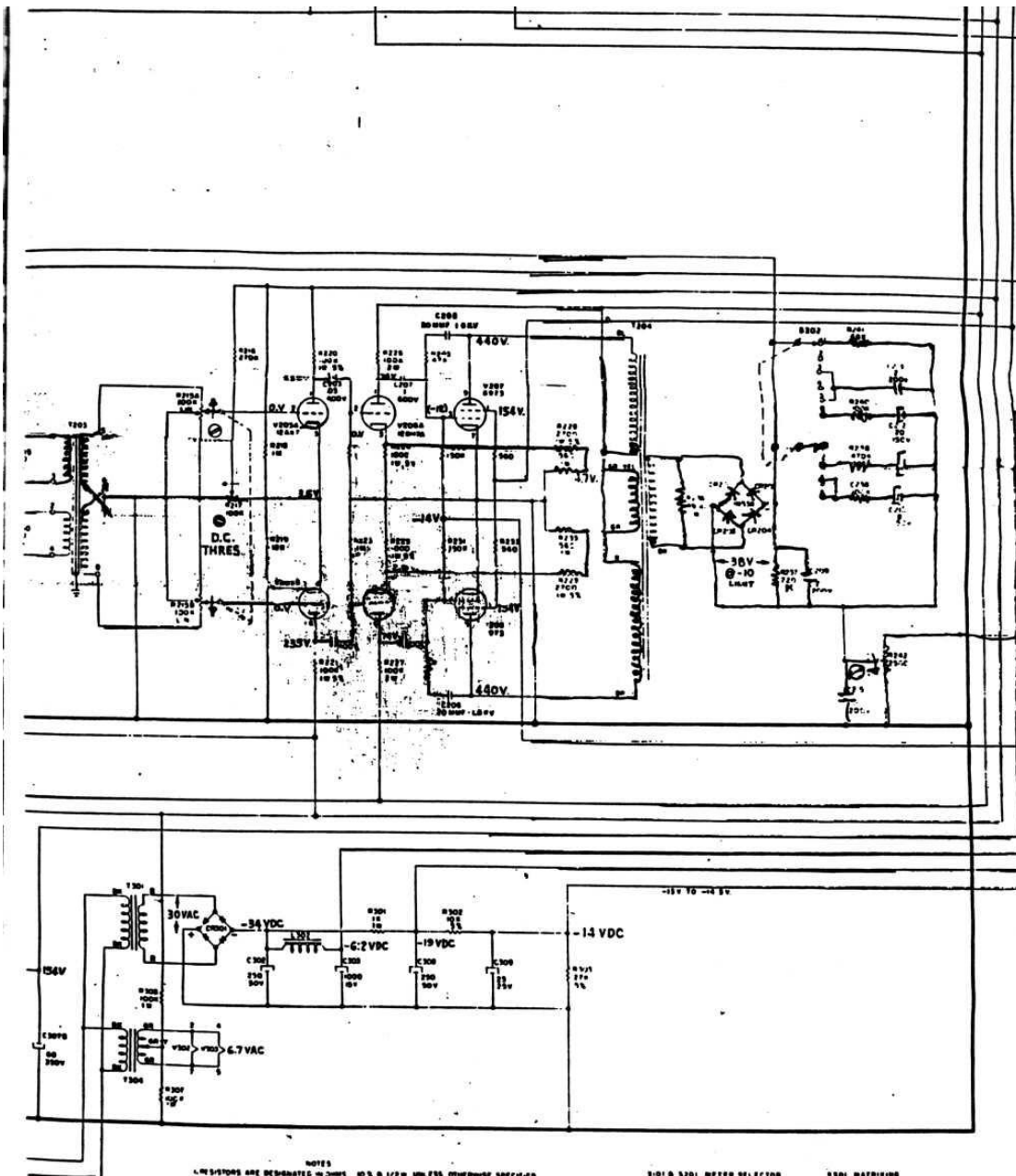
# Nachhallplatte REVERBERATION PLATE EMT 140 TQ









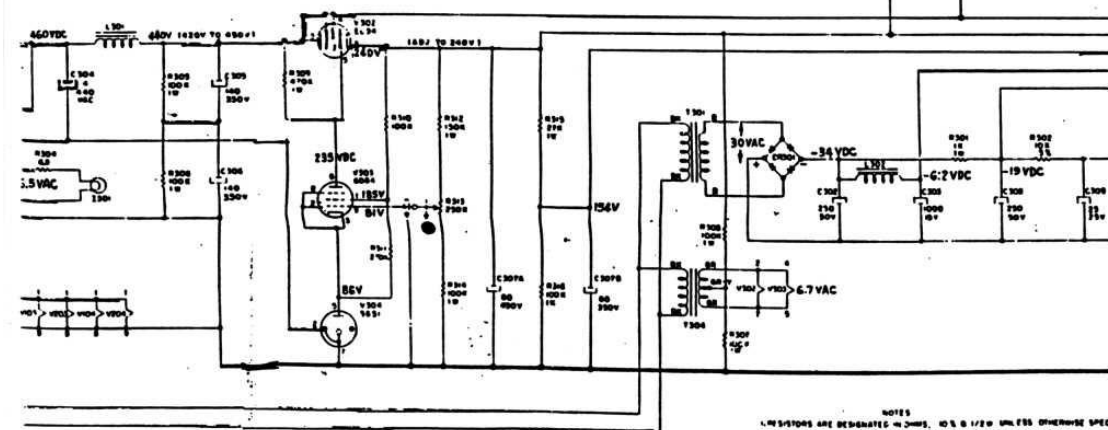
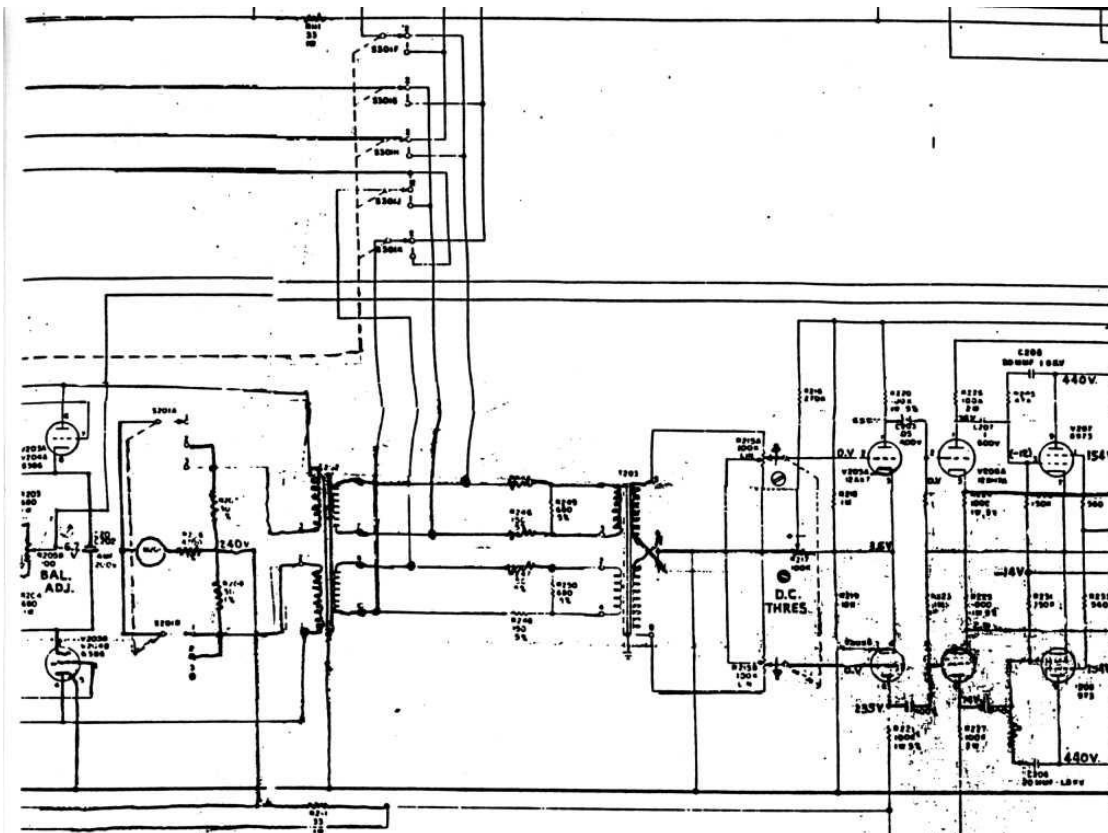


- NOTES
1. RESISTORS ARE DESIGNATED IN OHMS, 10'S & 10'S UNLESS OTHERWISE SPECIFIED
  2. CAPACITORS ARE DESIGNATED IN MICRO FARADS UNLESS OTHERWISE SPECIFIED
  3. C100 SUPPLIED AS PART OF 1500 & HAS A VALUE OF 0.0005 MFD
  4. (S) REFER TO ADJUSTMENT FRONT PANEL
  5. (S) REFER TO ADJUSTMENT FRONT PANEL
  6. (S) REFER TO ADJUSTMENT FRONT PANEL
  7. ALL SYSTEMS SHOWN IN NEW POSITION EXCEPT 1500
  8. VOLTAGES MEASURED WITH RELATIVE TO GROUND UNLESS OTHERWISE SPECIFIED.

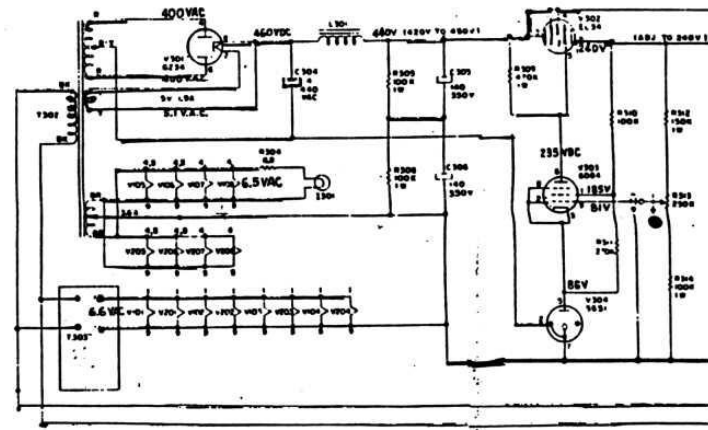
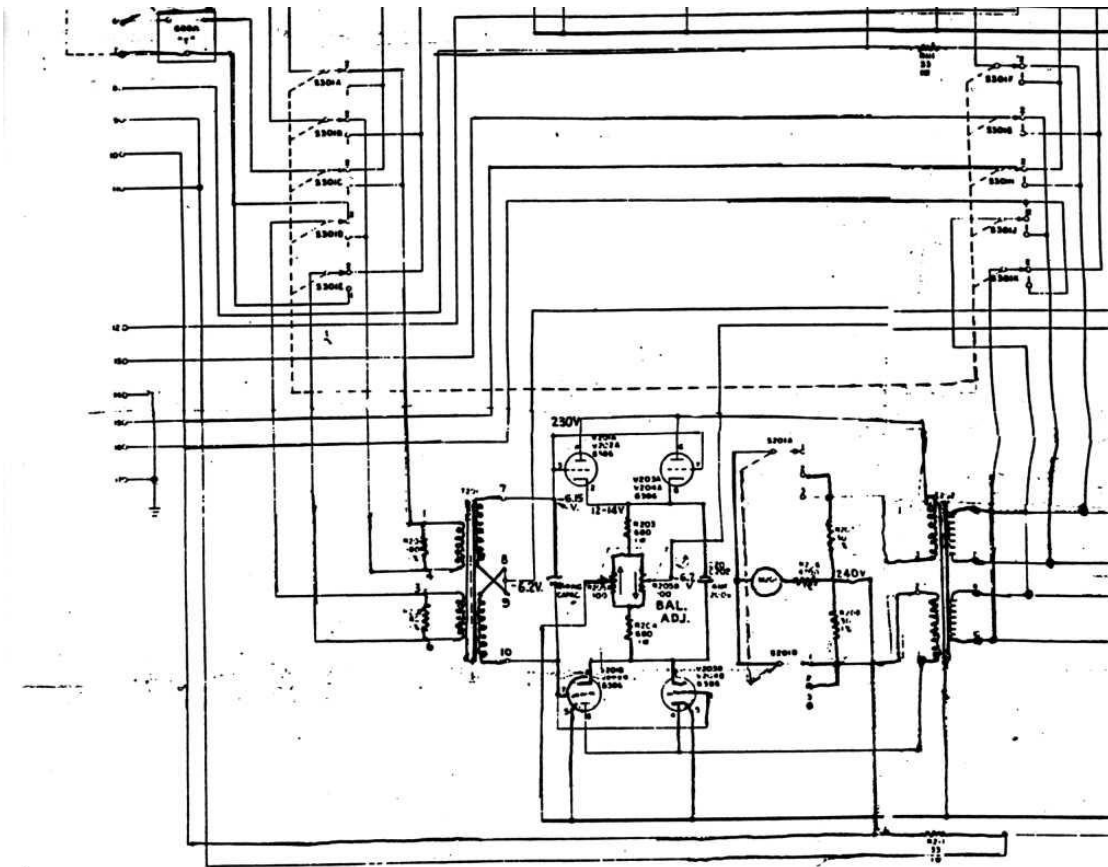
- 1501 & 1502 METER SELECTOR  
POS 1 BALANCE  
POS 2 BALANCE  
POS 3 BALANCE
- 1503 & 1504 1/2 WATT CONSTANT  
POS 1-8
- 1505 & 1506 METER GAIN  
1505 & 1506 BALANCE  
1507 & 1508 AC THRESHOLD  
1509 & 1510 DC THRESHOLD  
1511 & 1512 ZERO

- 1501 MATRIXING  
POS 1 LEFT & RIGHT  
POS 2 LATERAL & VERTICAL
- 1513 REF BY ADJ

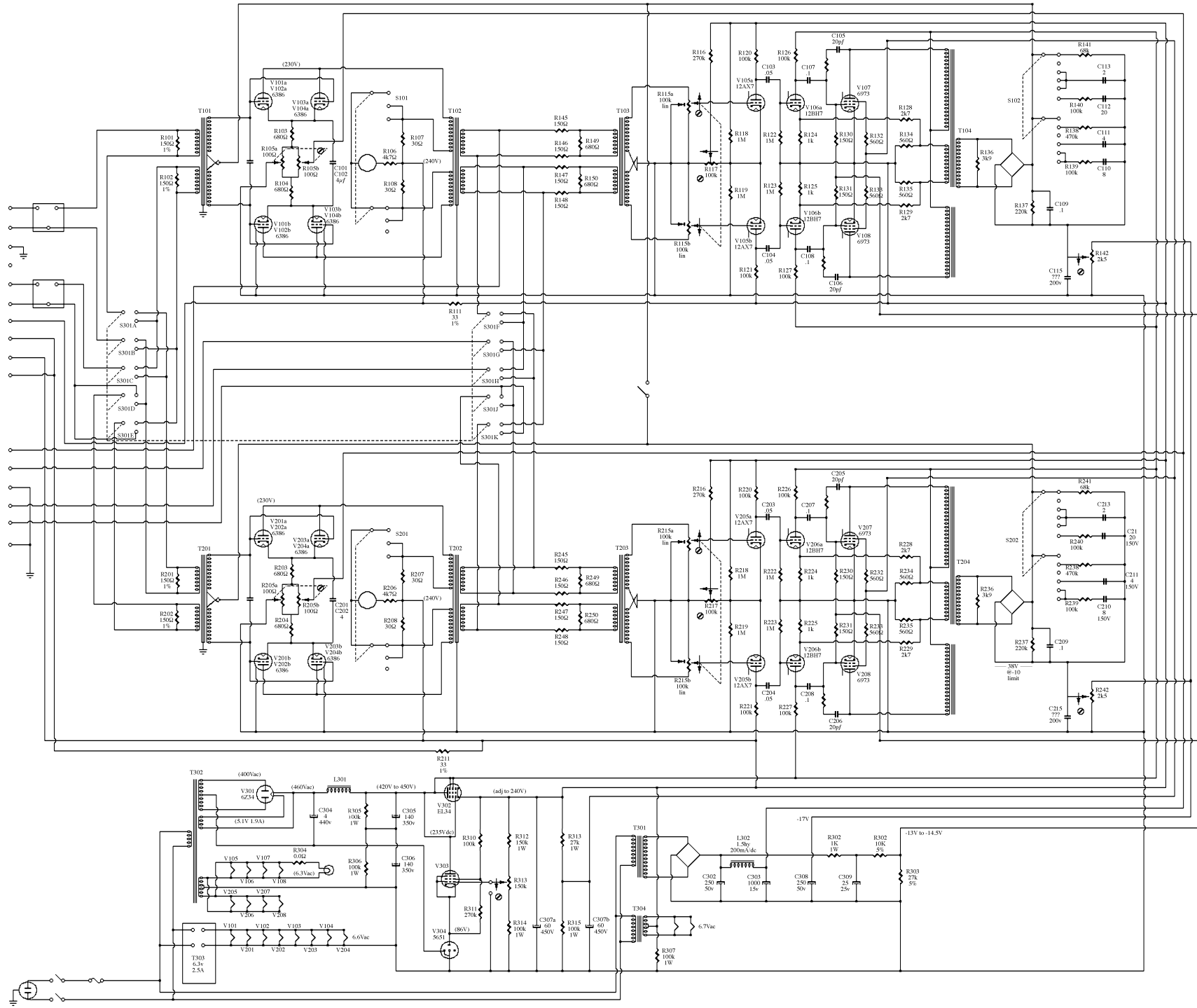


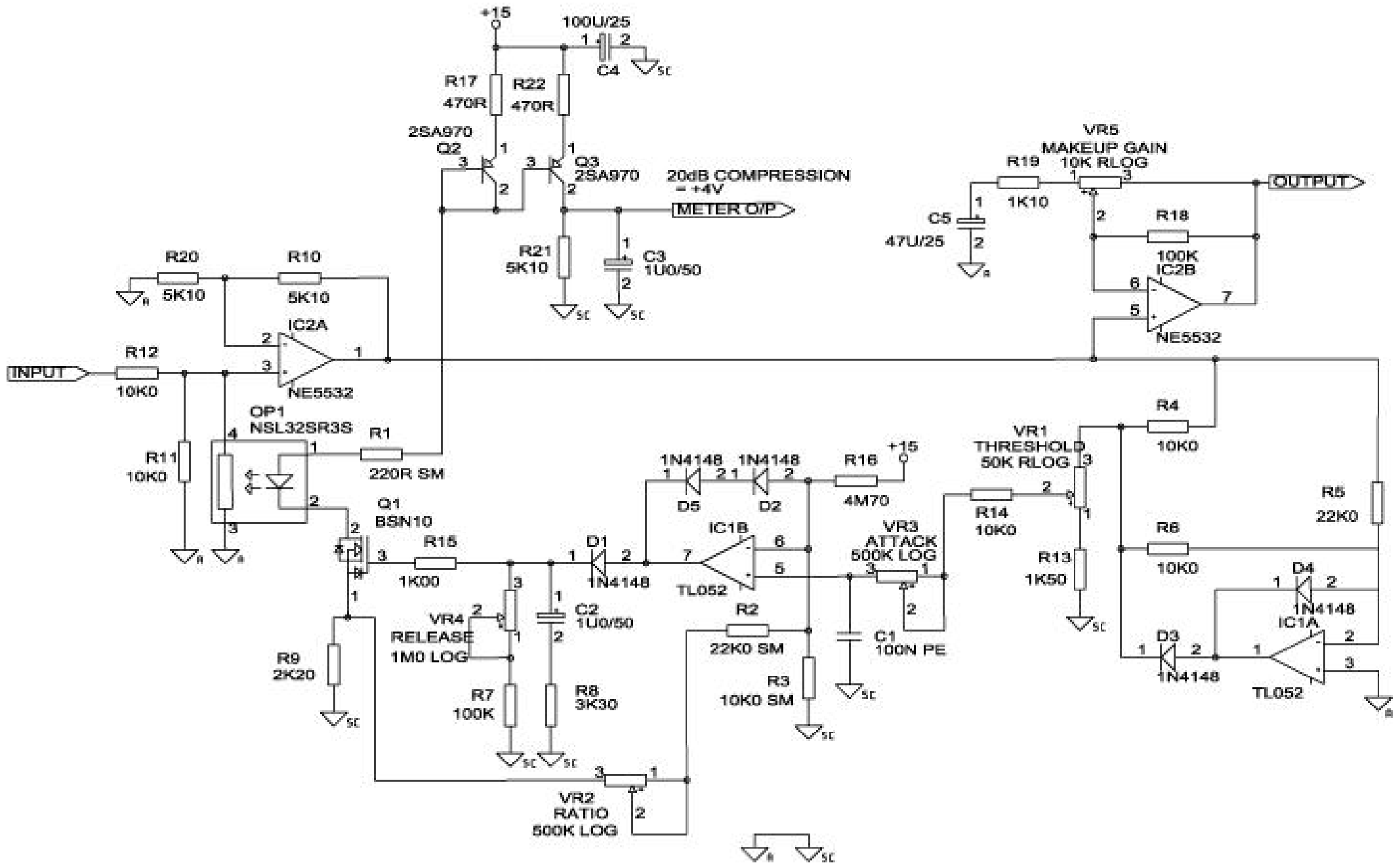


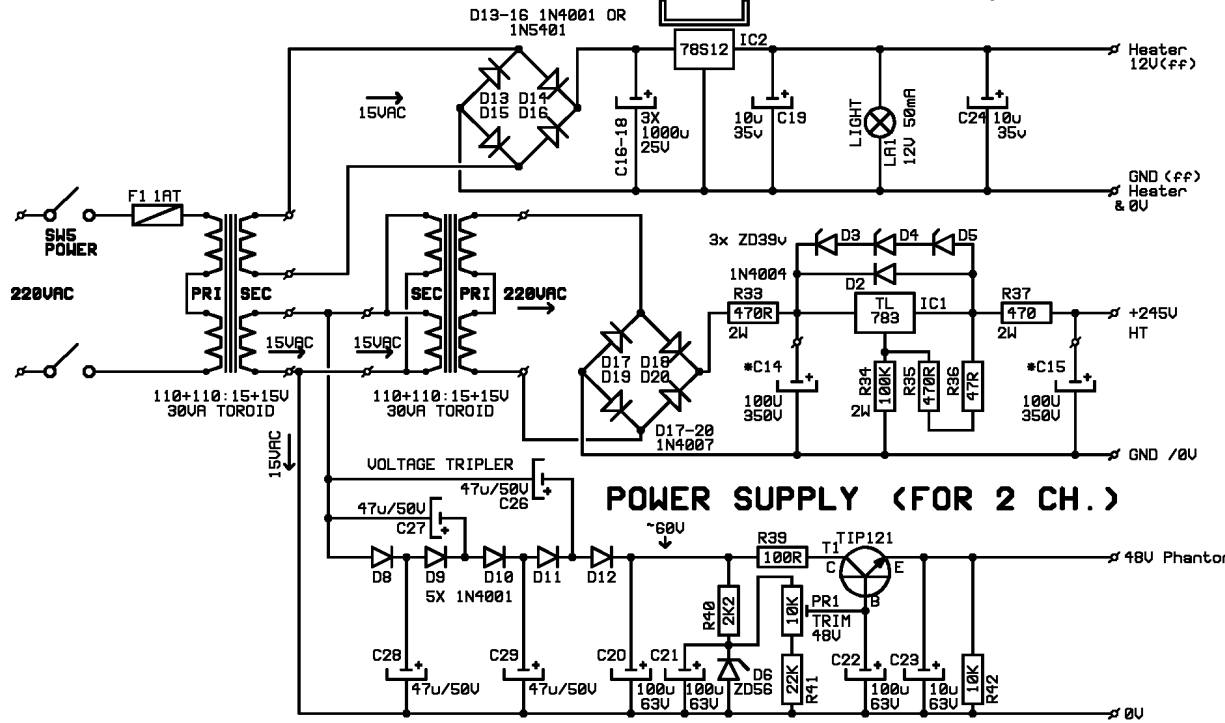
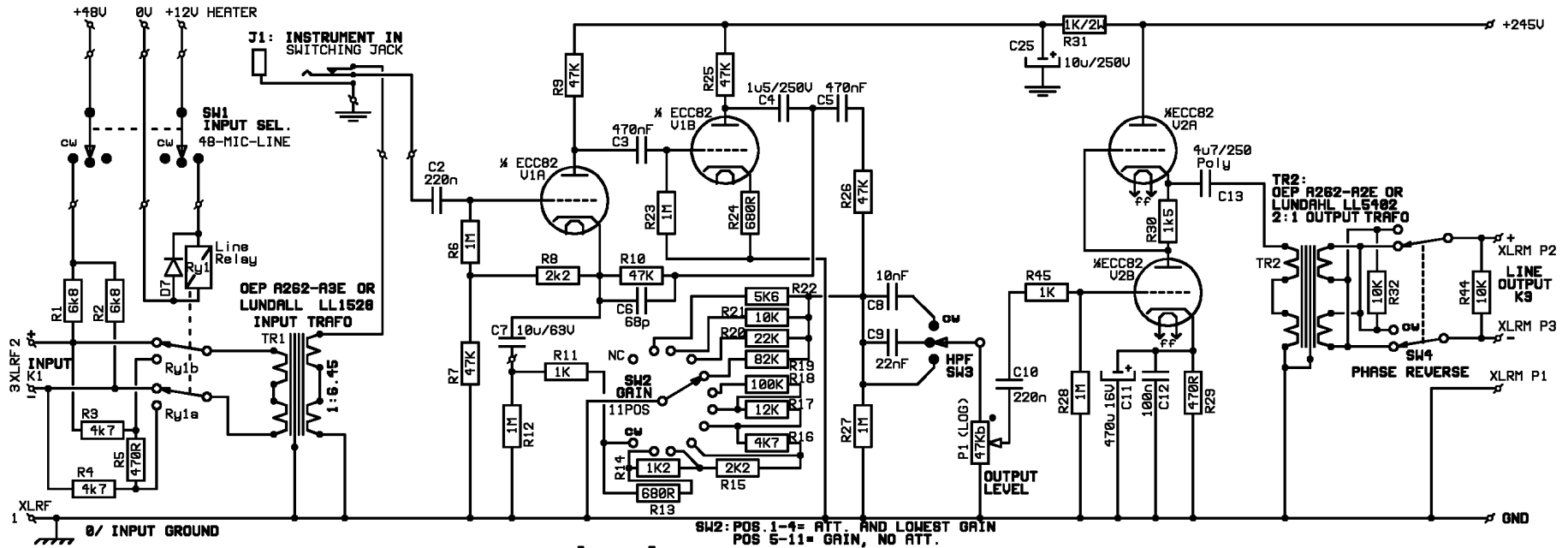
- NOTES
1. RESISTORS ARE DESIGNATED IN OHMS, 10'S & 100'S UNLESS OTHERWISE SPECIFIED.
  2. CAPACITORS ARE DESIGNATED IN MICROFARADS UNLESS OTHERWISE SPECIFIED.
  3. 5000 MICROFARAD CAPACITOR IS 50% TOLERANCE UNLESS OTHERWISE SPECIFIED.
  4. BAL. ADJ. IS ADJUSTMENT FRONT PANEL.
  5. D.C. THRES. IS ADJUSTMENT FRONT PANEL.
  6. 1.85V ZENER DIODES ARE 5% TOLERANCE UNLESS OTHERWISE SPECIFIED.
  7. ALL VOLTAGES MEASURED WITH MULTIMETER UNLESS OTHERWISE SPECIFIED.
  8. VOLTAGE MEASURED WITH MULTIMETER UNLESS OTHERWISE SPECIFIED.
  9. METER WITH RESPECT TO GROUND UNLESS OTHERWISE SPECIFIED.



120 VAC







# GYRAF GYRATEC IX DUAL MICAMP ONE CHANNEL SHOWN

LAST:  
 R: 45 (GATE SER. U2A) D: 16  
 C: 25 (48V TRIPLER)  
 -D1, C1 R49, RY2, R38,

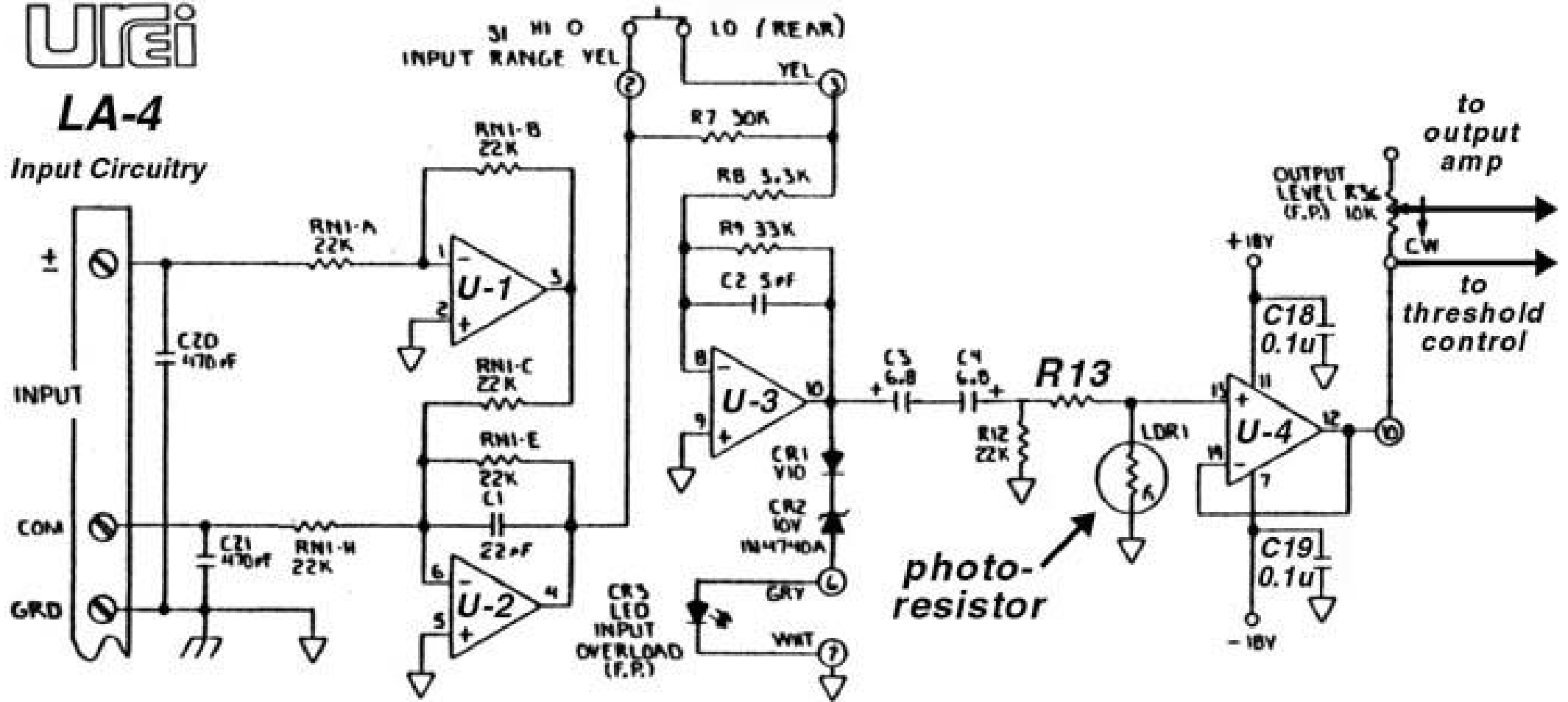
Gyraf Audio www.gyraf.dk	
Rev no # 7	Date 03-2003
Subject: GYRATEC IX MIC/LINE AMP	
Filename: GY9_PD_SCH	
Size: N/A	Mount:

COMPONENT NO'S >100 IS CHANNEL 2  
 \*C14 \*C15 \*TR3 MOUNTED OFF PCB  
 REV#7: STANDARD TRAF0 PSU  
 LastEdit: R9 changed from 220K to 47K

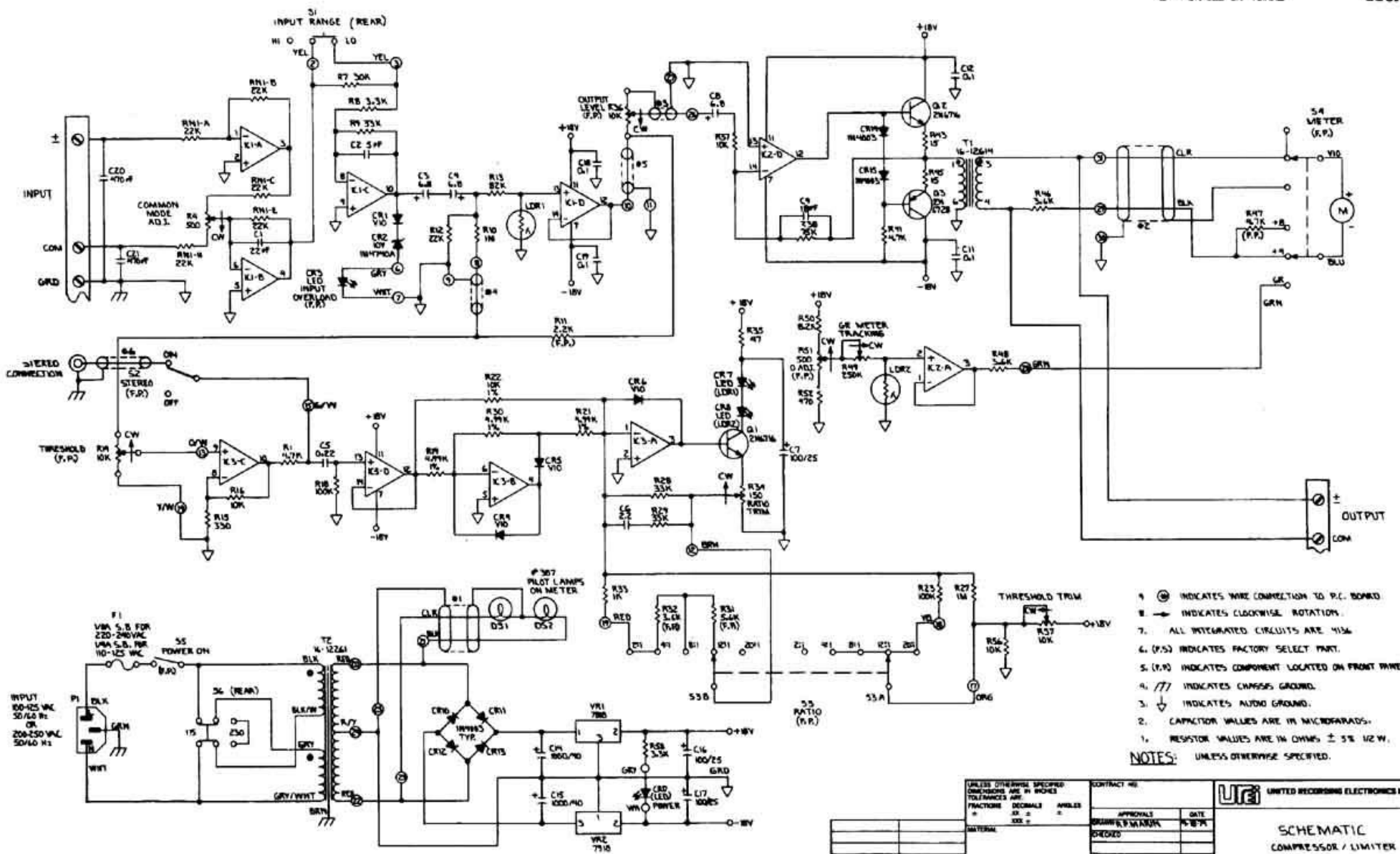
# UREI

## LA-4

### Input Circuitry



ZONE		REVISIONS		DATE	APPROVED
A	PER ECD-LA-44-009			8-27-80	R.P.N.
B	PER ECD-LA-44-010			9-2-80	R.P.N.



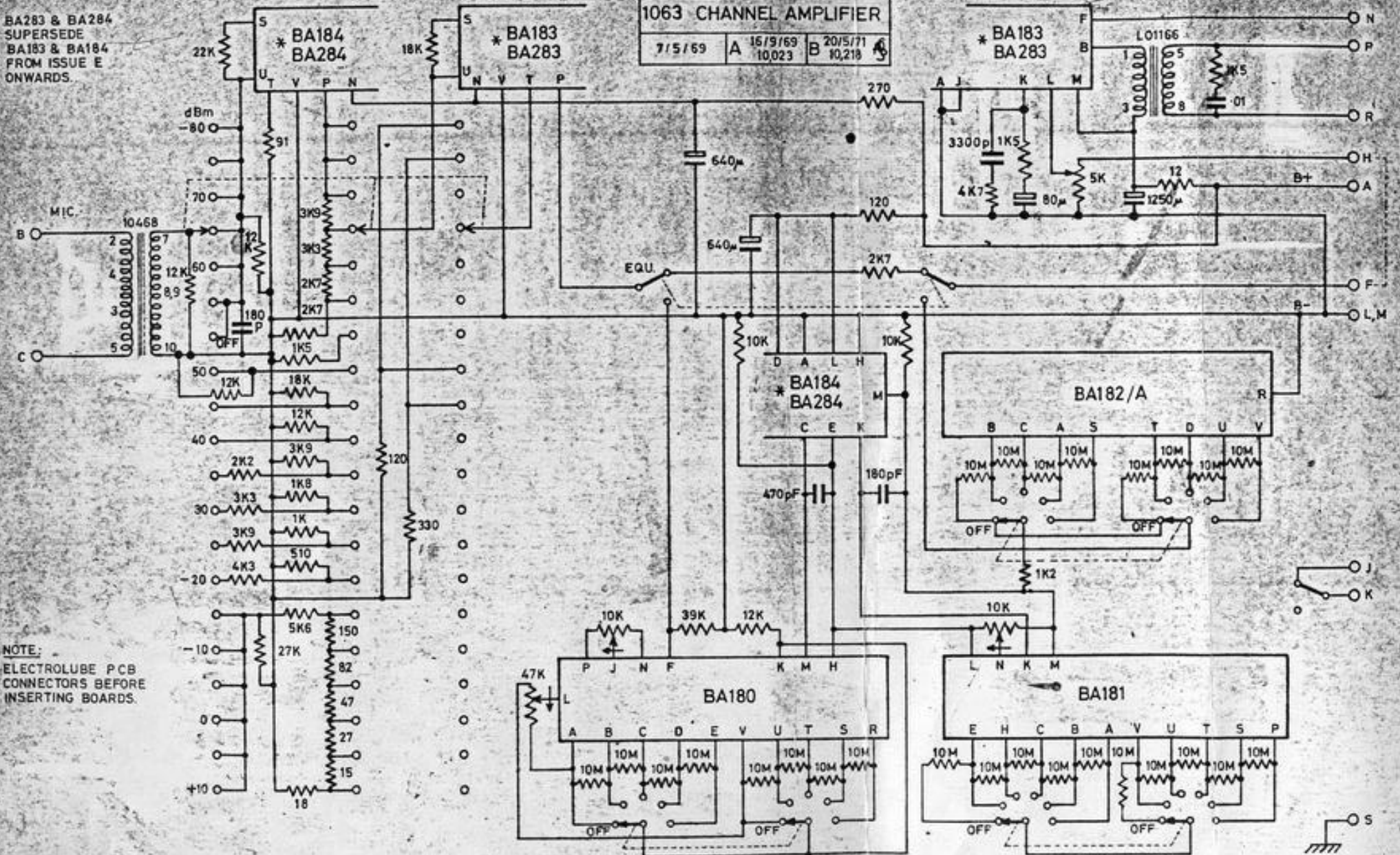
1. RESISTOR VALUES ARE IN OHMS ± 5% UNLESS OTHERWISE SPECIFIED.
  2. CAPACITOR VALUES ARE IN MICROFARADS.
  3. ↓ INDICATES AUDIO GROUND.
  4. // INDICATES COMPONENT LOCATED ON FRONT PANEL.
  5. (F.S) INDICATES FACTORY SELECTED PART.
  6. (P.S) INDICATES FACTORY SELECTED PART.
  7. ALL INTEGRATED CIRCUITS ARE 4136.
  8. → INDICATES CLOCKWISE ROTATION.
  9. ⊙ INDICATES WIRE CONNECTION TO P.C. BOARD.
- NOTES: UNLESS OTHERWISE SPECIFIED.

UNLESS OTHERWISE SPECIFIED DIMENSIONS ARE IN INCHES TOLERANCES ARE FRACTIONS DECIMALS ANGLES		CONTRACT NO.		UNITED RECORDING ELECTRONICS INDUSTRIES	
MATERIAL		APPROVALS		DATE	
FINISH		DESIGNED BY		8/8/80	
NEXT ASSY USED ON		CHECKED			
APPLICATION		DO NOT SCALE DRAWING		SCALE	
		DATE		MODEL NO.	
		D		LA4(A)	
				DRAWING NO.	
				13247 B	
				SHEET 1 OF 1	



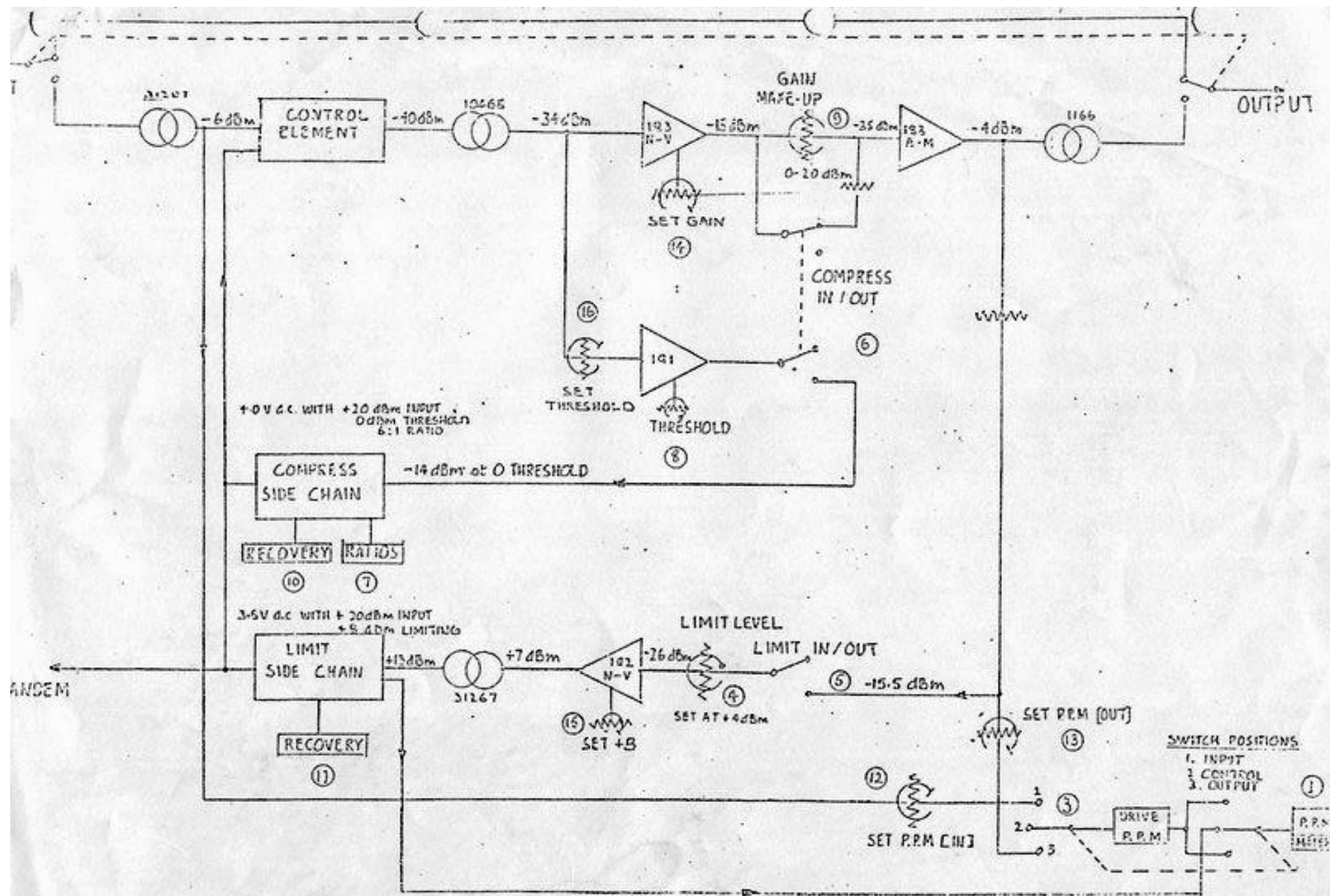
BA283 & BA284  
SUPERSEDE  
BA183 & BA184  
FROM ISSUE E  
ONWARDS.

**RUPERT NEVE & Co Ltd.**  
**1063 CHANNEL AMPLIFIER**  
 7/5/69 A 15/9/69 10,023 B 20/5/71 10,218



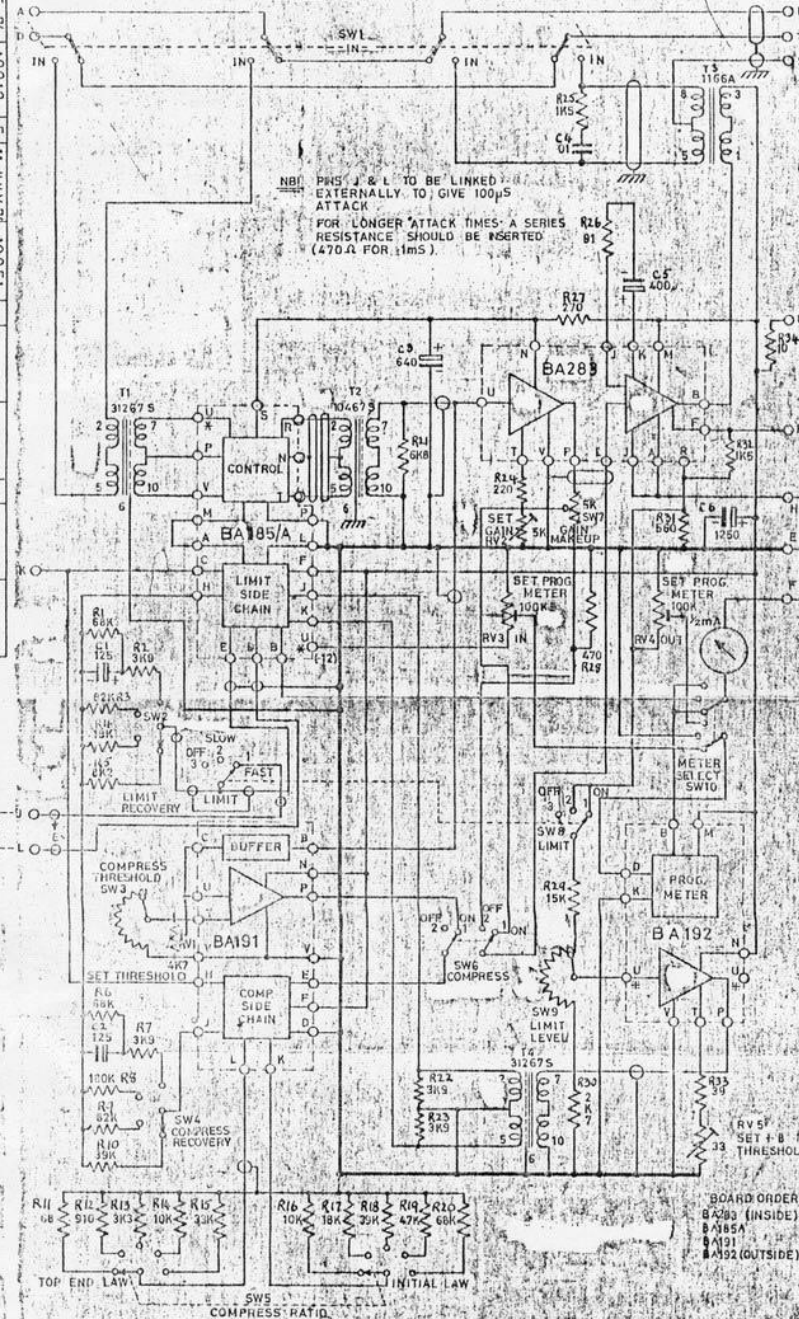
NOTE:  
ELECTROLUBE PCB  
CONNECTORS BEFORE  
INSERTING BOARDS.

This drawing is the property of this company and may not be reproduced or disclosed to a third party without the permission of this company.



LIMITER COMPRESSOR 2254A

2254/E



L/D-5-72 10912 5 11 JULY 74 10951

The Neve Group of Companies

2254/E-LIMITER AND COMPRESSOR

This drawing is the property of this company and may not be reproduced or disclosed to a third party without the permission of this company.

3 1201/273 10835 DATE 20-9-72

2 1210/172 10885 DRAWING NUMBER L/10,004/E

1 120-9-72

BOARD ORDER:  
 BA289 (INSIDE)  
 BA185A  
 BA191  
 BA192 (OUTSIDE)

L/10,004/E

DRAWING NO

EN10048



Rupert Neve & Company Ltd. own the copyright of this drawing which is not to be copied, reproduced or disclosed, in part or whole, to a third party without written permission.

1K2 I/P = -35

10K I/P = 0

BALANCED INPUT

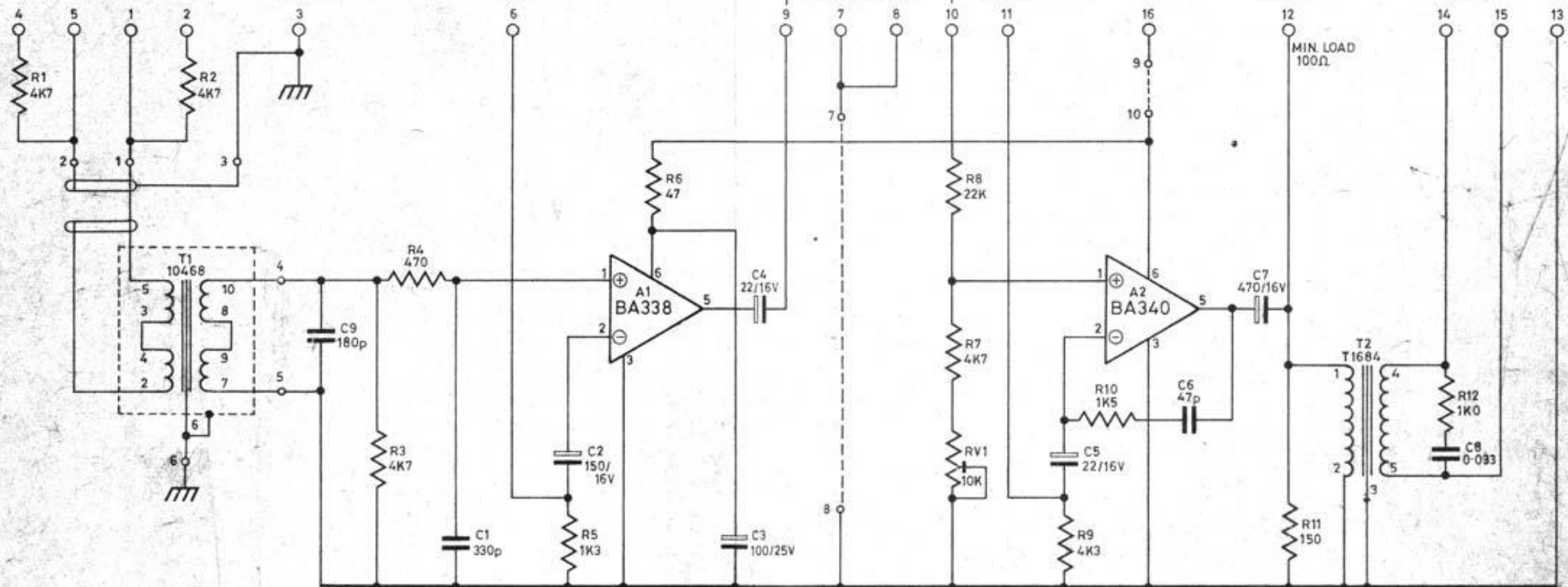
GAIN BOOST

EXT. FADER  
(MIN. VALUE 1K)

GAIN BOOST

UNBALANCED OUTPUT

BALANCED OUTPUT



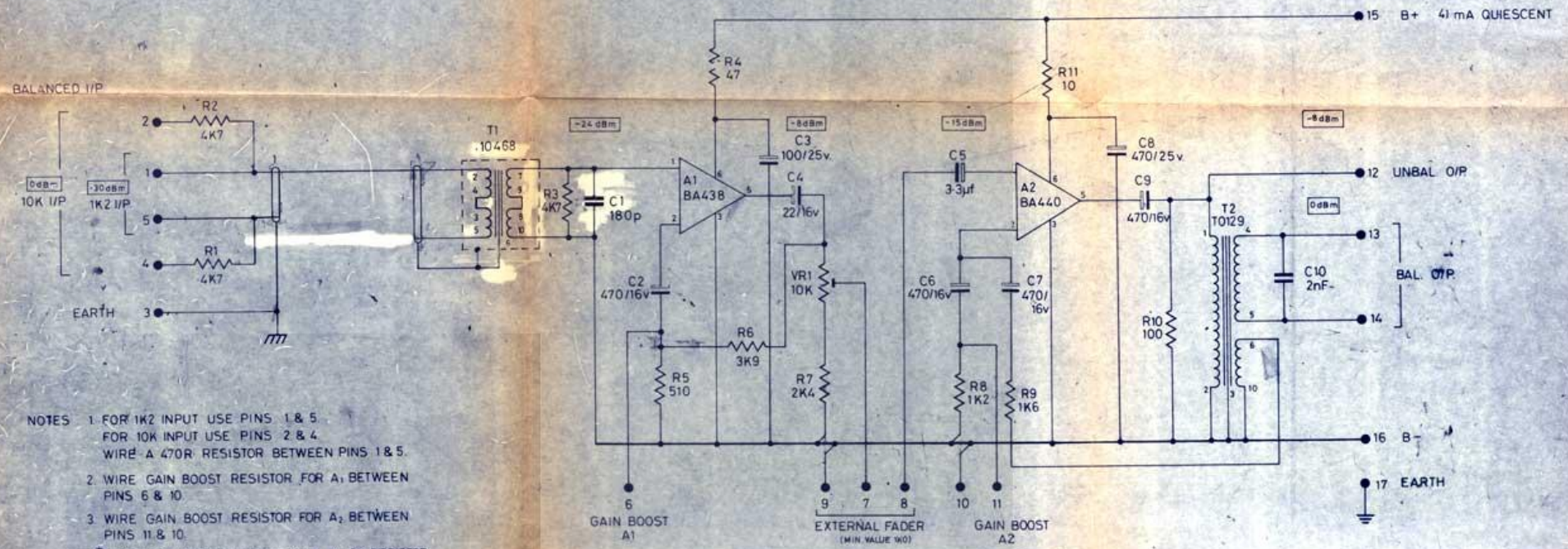
## NOTES:

1. FOR 1K2 INPUT USE PINS 1 & 5.  
FOR 10K INPUT USE PINS 2 & 4. WIRE  
200Ω RESISTOR (2%) BETWEEN PINS 1 & 5.

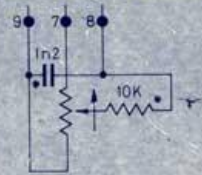
2. FOR GAIN BOOST OF BA338 STRAP  
EXTERNAL RESISTOR BETWEEN PINS 6 & 7.

3. FOR GAIN BOOST OF BA340 STRAP  
EXTERNAL RESISTOR BETWEEN PINS 11 & 8.

5	4	3	2	1	ISSUE	FIRST USED ON A708	MATL.	TOL. UNLESS OTHERWISE STATED		
23-10-73	15/9/73	31/5/73	11-4-73	10/4/73	DATE	DRN. MRG	FINISH	LINEAR +	ANGULAR +0.13 -0	HOLES +0.13 -0
10788		10697			CHANGE NOTE N9	TRACED LMC	TITLE	3RD ANGLE PRJ	DIMS IN	SCALE
					CHECKED	CHECKED	405 LINE AMPLIFIER (BA323)	DRG. N9	EN10048	
					CHECKED		Rupert Neve & Company Ltd.	1973	©	A3



- NOTES
1. FOR 1K2 INPUT USE PINS 1 & 5.  
FOR 10K INPUT USE PINS 2 & 4.  
WIRE A 470R RESISTOR BETWEEN PINS 1 & 5.
  2. WIRE GAIN BOOST RESISTOR FOR A<sub>1</sub> BETWEEN PINS 6 & 10.
  3. WIRE GAIN BOOST RESISTOR FOR A<sub>2</sub> BETWEEN PINS 11 & 10.
  4. FOR GAINS GREATER THAN 70dB A 10K RESISTOR AND 1n2 CAPACITOR MUST BE CONNECTED AS SHOWN

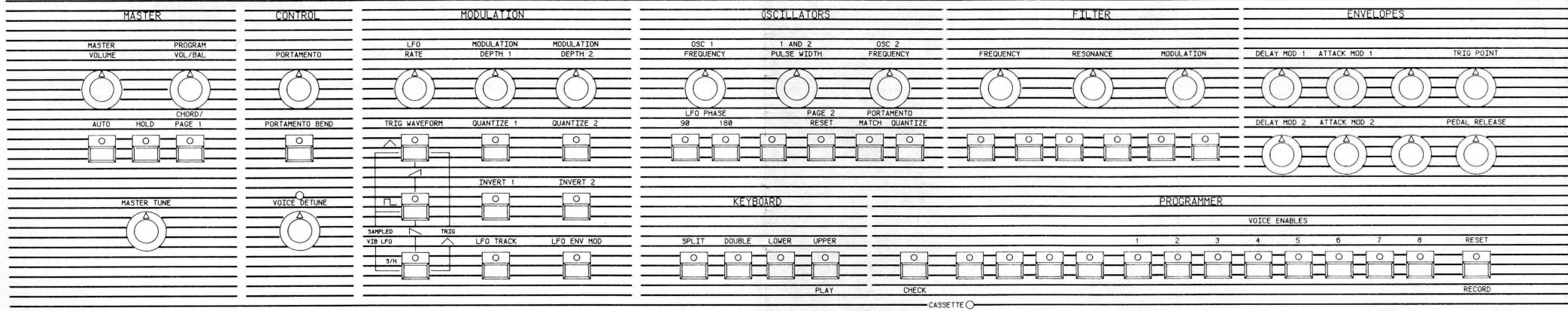


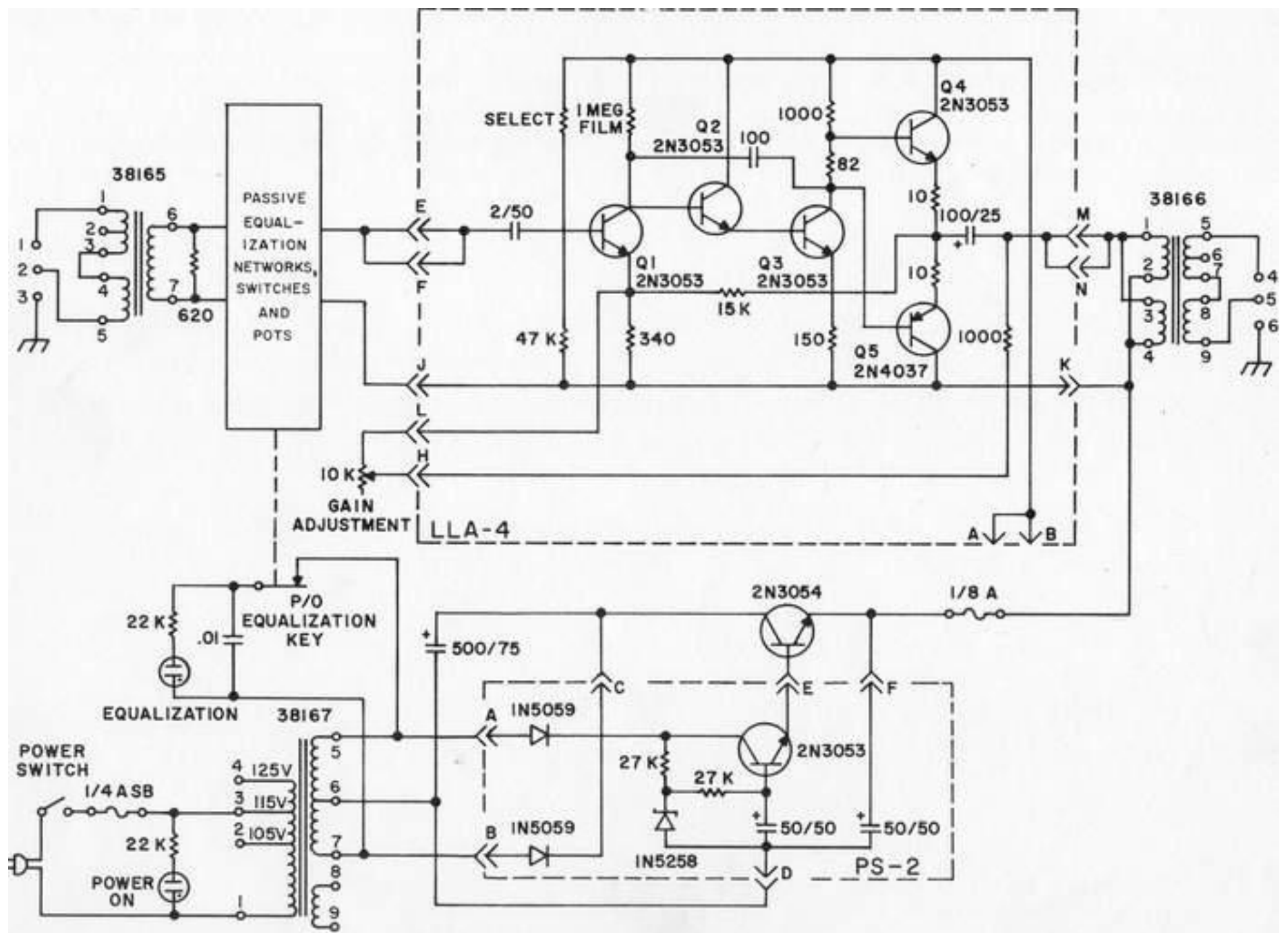
5. FOR OVERALL MODULE GAIN OF >40dB THE GAIN BOOST SHOULD BE EVENLY DISTRIBUTED BETWEEN A<sub>1</sub> & A<sub>2</sub>.
6. FOR GAIN BOOSTING DETAILS REFER TO BLOCK DIAGRAM.

FROZEN GOLD LABEL		FROZEN GOLD LABEL				ISSUE		FIRST USED ON	MAT'L	TOL UNLESS OTHERWISE STATED	
7	6	5	4	3	2	1	DATE	A3415	FINISH	LINEAR	ANGULAR
24-10-77	24-10-77	24.8.77	24.8.77		11.9.74	24.4.74	DATE	DRN. M.H.B.		BRO ANGLE	DIMS IN SCALE
50056	50056	5004 1963 CANCELLED	5004	T/P TER WAS 1048	10975 10986		CHANGE NOTE NO	TRACED C.K.	TITLE	3415 LINE AMPLIFIER (INCORPORATING B366 MOTHER BD)	
JT				FOB			CHECKED			EN10051	
									Rupert Neve & Company Ltd.		1974. ©IA2

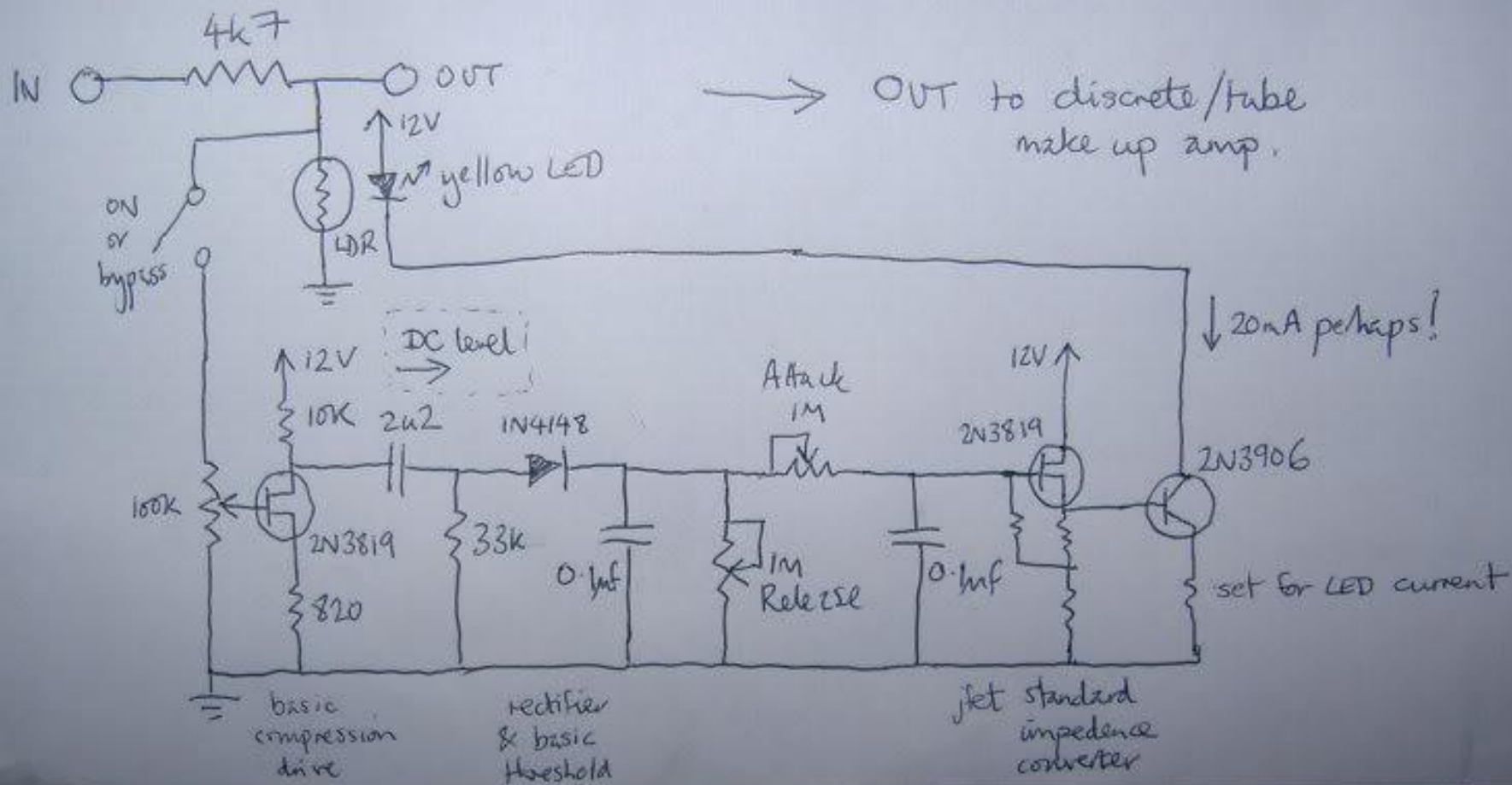
# OB-8

## PAGE 2 FUNCTIONS



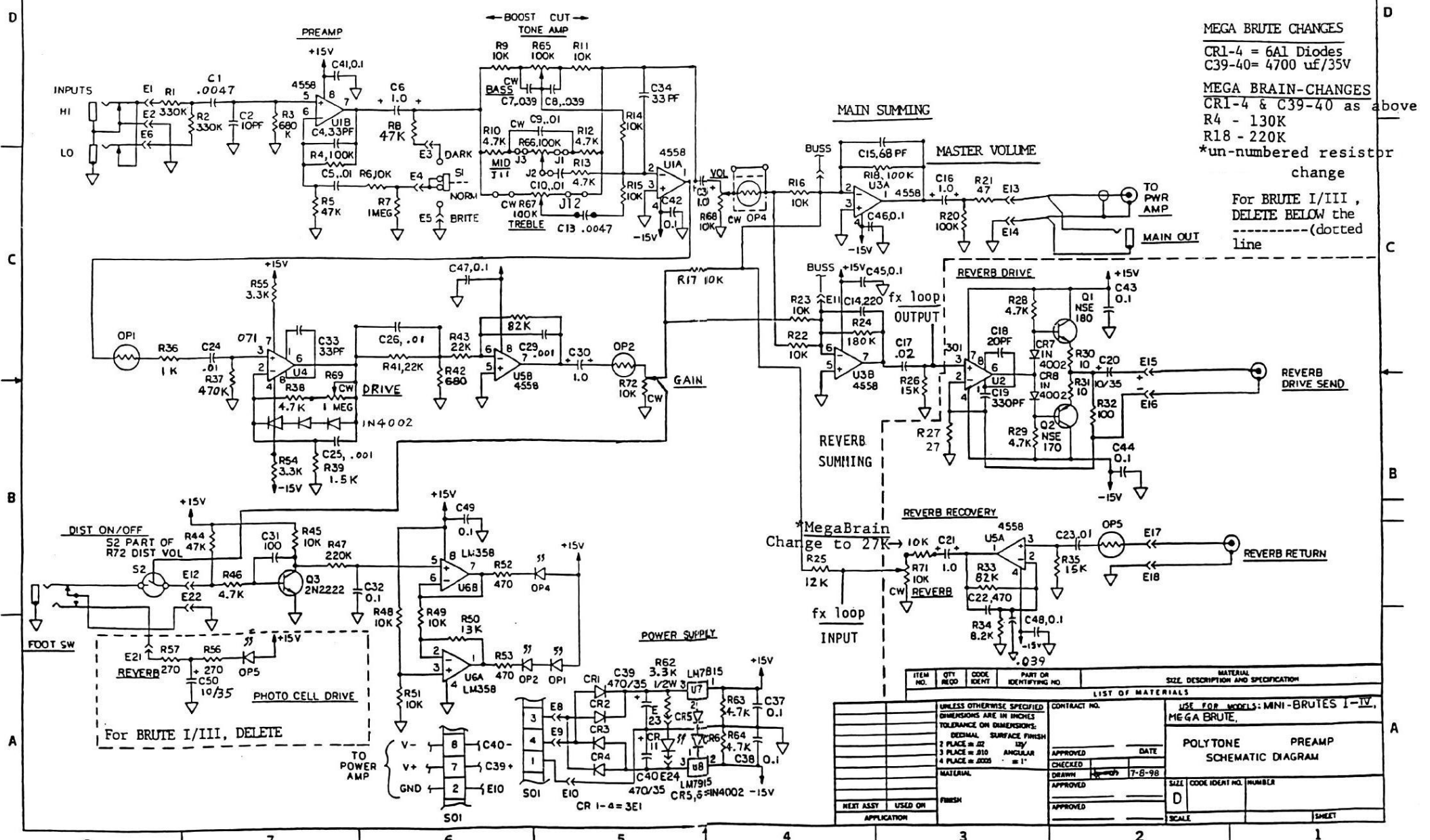


PROGRAM EQUALIZER PEQ-2A  
SCHEMATIC DIAGRAM





REVISION		
ZONE	DESCRIPTION	DATE



ITEM NO.	QTY	CODE	PART OR IDENTIFYING NO	SIZE	DESCRIPTION AND SPECIFICATION	MATERIAL
LIST OF MATERIALS						
UNLESS OTHERWISE SPECIFIED DIMENSIONS ARE IN INCHES TOLERANCE ON DIMENSIONS:				CONTRACT NO.		
DECIMAL SURFACE FINISH				DATE		
2 PLACE = .02				APPROVED		
3 PLACE = .010				CHECKED		
4 PLACE = .0025				DRAWN		
MATERIAL				APPROVED		
FINISH				APPROVED		
NEXT ASST USED ON APPLICATION				SCALE		
				SHEET		

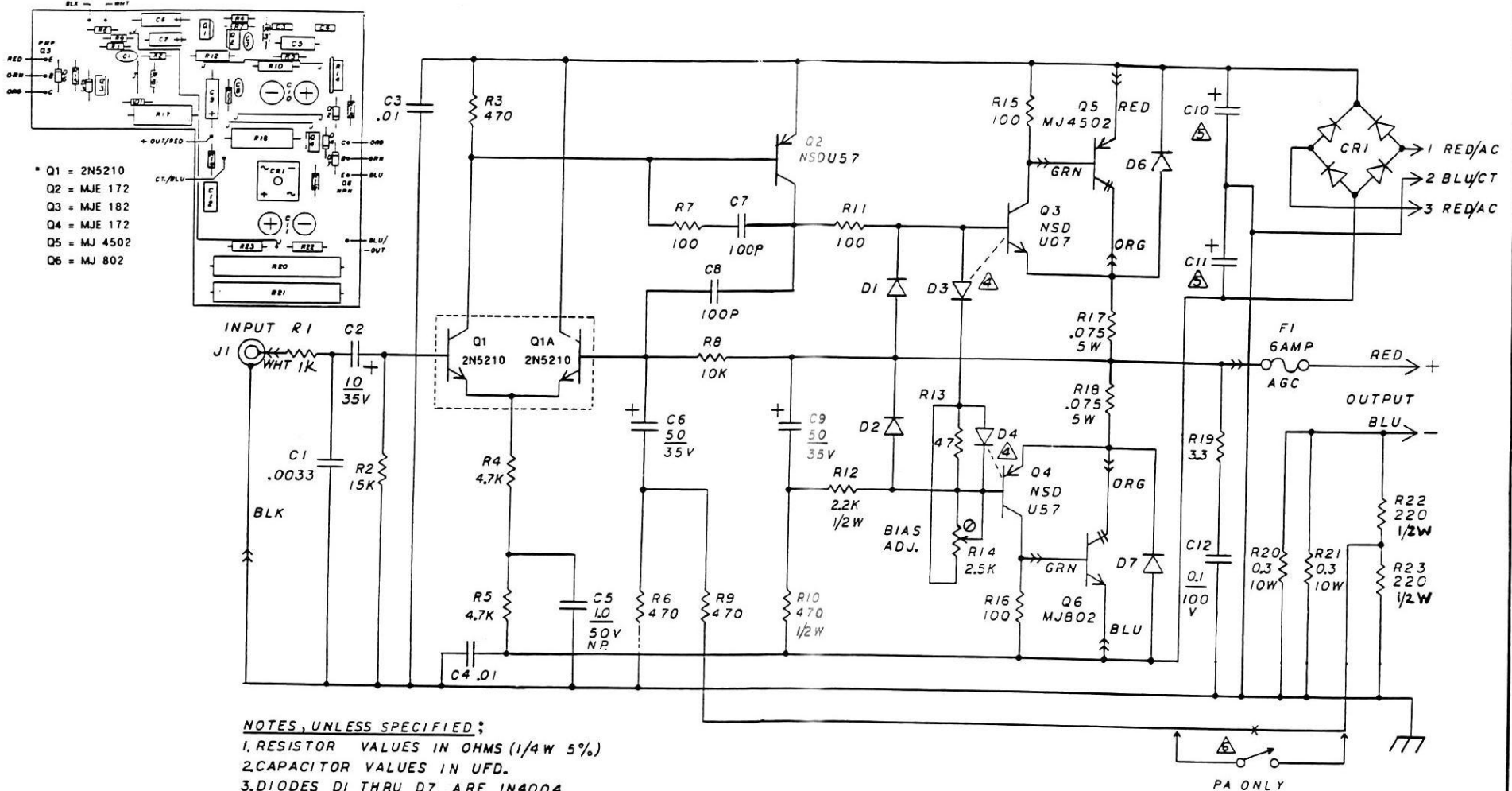
USE FOR MODELS: MINI-BRUTES I-IV, MEGA BRUTE.

**POLYTONE PREAMP SCHEMATIC DIAGRAM**

DATE: 7-8-98

SIZE: D

FICTITIAL  
PA378B



- \* Q1 = 2N5210
- Q2 = MJE 172
- Q3 = MJE 182
- Q4 = MJE 172
- Q5 = MJ 4502
- Q6 = MJ 802

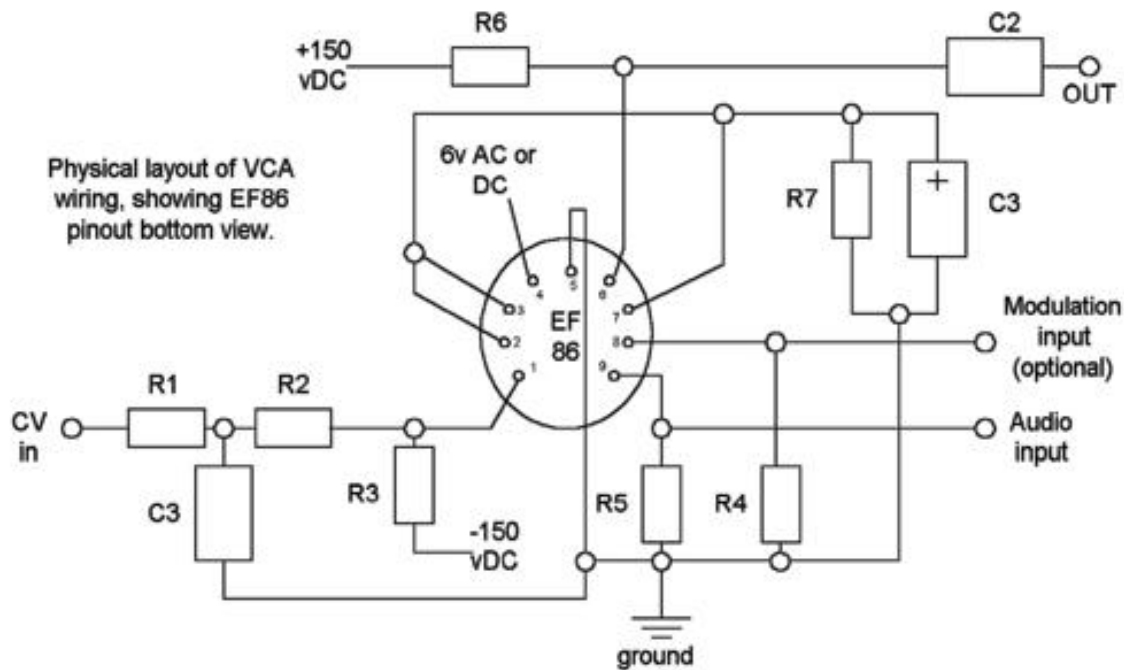
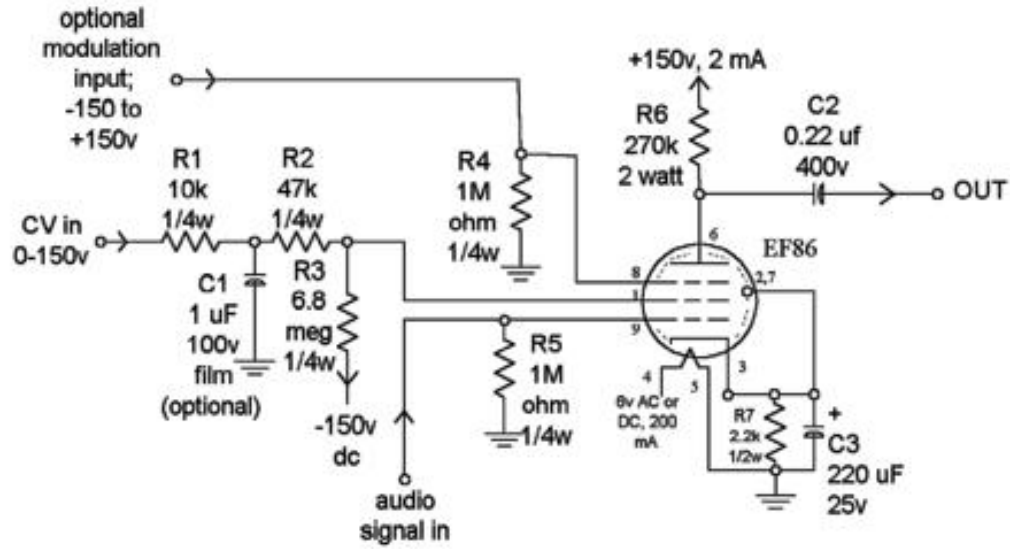
- NOTES, UNLESS SPECIFIED:**
1. RESISTOR VALUES IN OHMS (1/4W 5%)
  2. CAPACITOR VALUES IN UFD.
  3. DIODES D1 THRU D7 ARE IN4004
  - ⚠️ D3, D4 MUST CONTACT Q, Q THERMALLY
  - ⚠️ 8200UF IN 120W AMP/4000UF IN 60-80W AMPS
  - ⚠️ BREAK AND ADD SWITCH FOR PA MODELS
  7. MPA. PA-60, PA-120: delete R22 & R23
  8. Sidekick: change R6 to 220

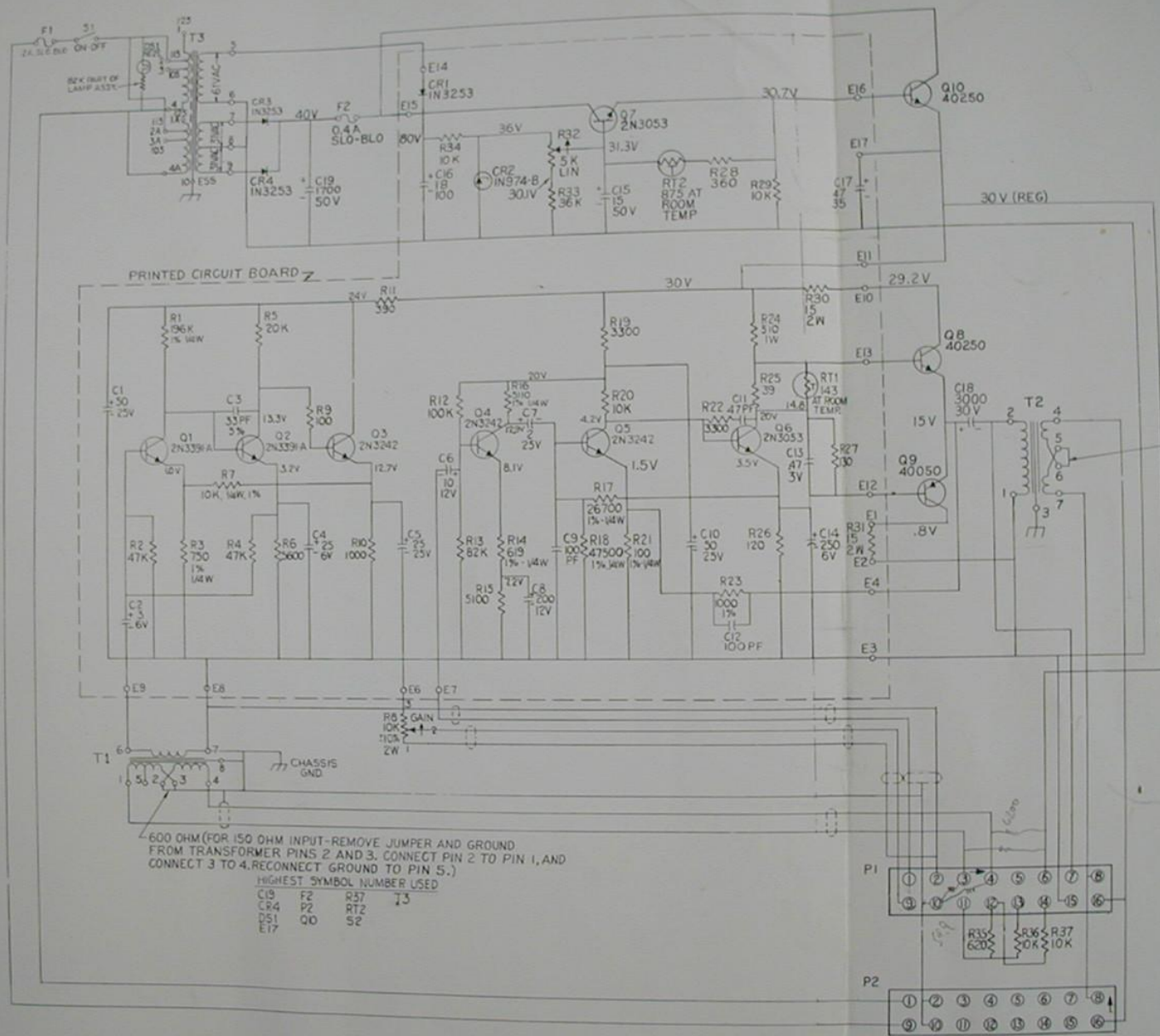
\* Q1/Q1A represents Q1 replacing PT1583  
**NOTES:** Q2 & Q4 - MJE172 replaces NSDU57  
 Q3 - MJE182 replaces NSDU07

POLYTONE MUSICAL INSTRUMENTS INC.			
POWER AMP PA378B			
SIZE	FORM NO.	DRWG. NO.	REV.
C			
SCALE			SHEET



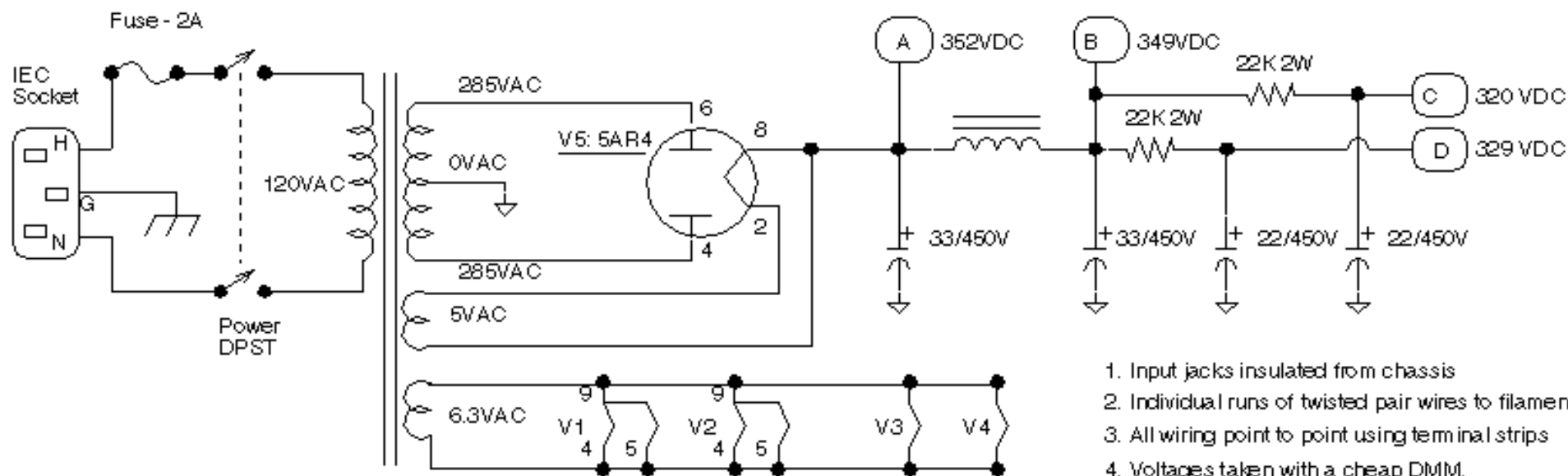
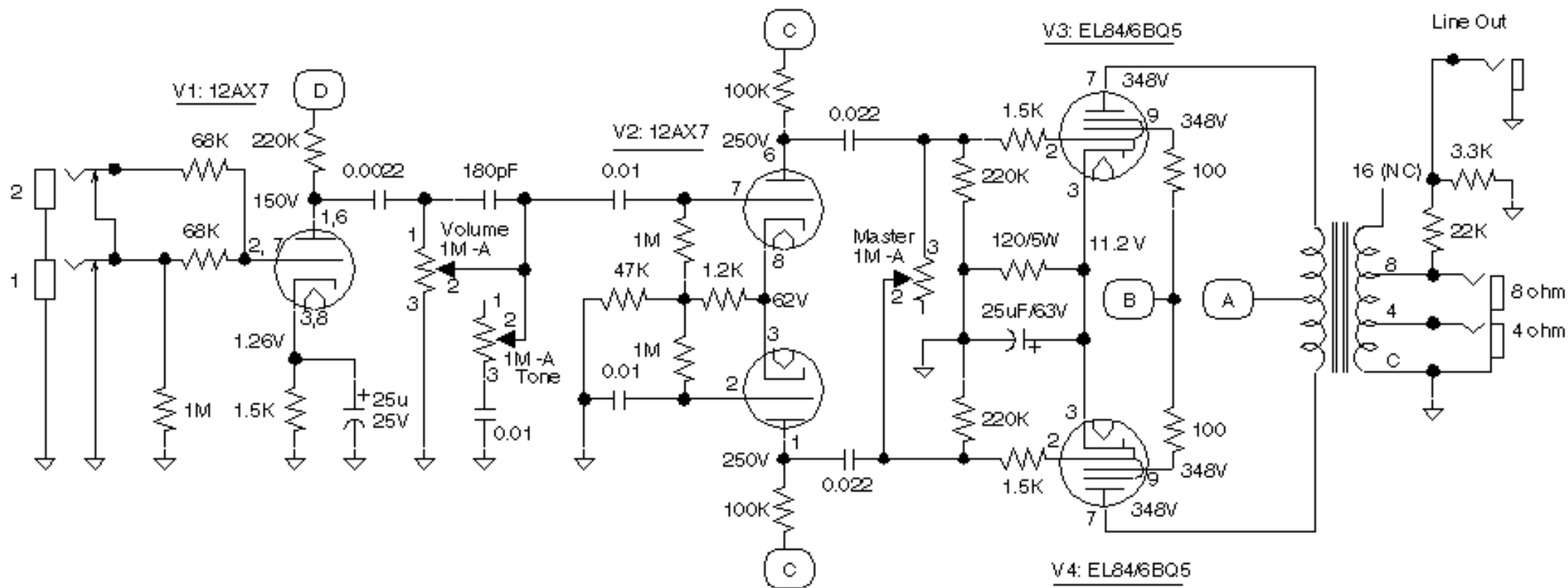
Figure 1--basic voltage-controlled amplifier for electronic-music applications, using EF86.



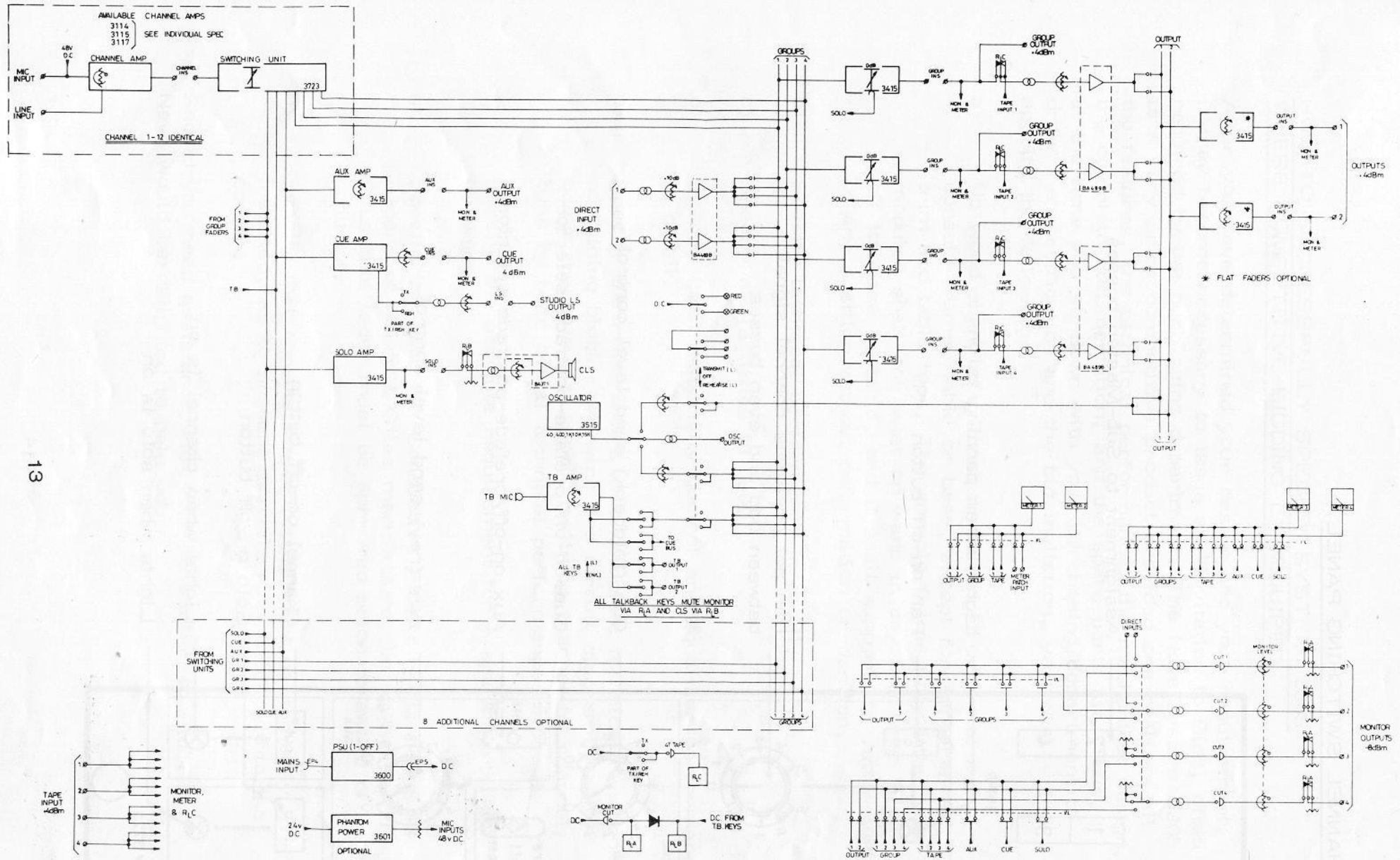


600 OHM (FOR 150 OHM  
REMOVE JUMPER WIRE  
TRANSFORMER PINS 2  
CONNECT PIN 5 TO PIN  
CONNECT PIN 6 TO PIN





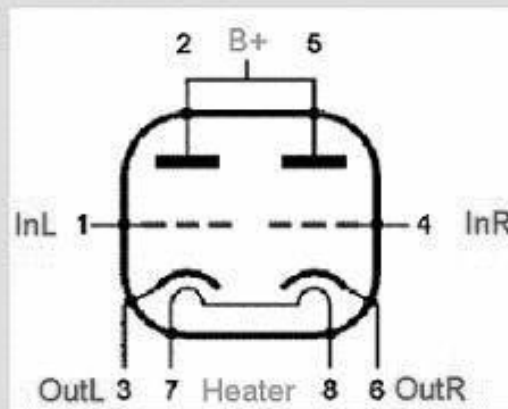
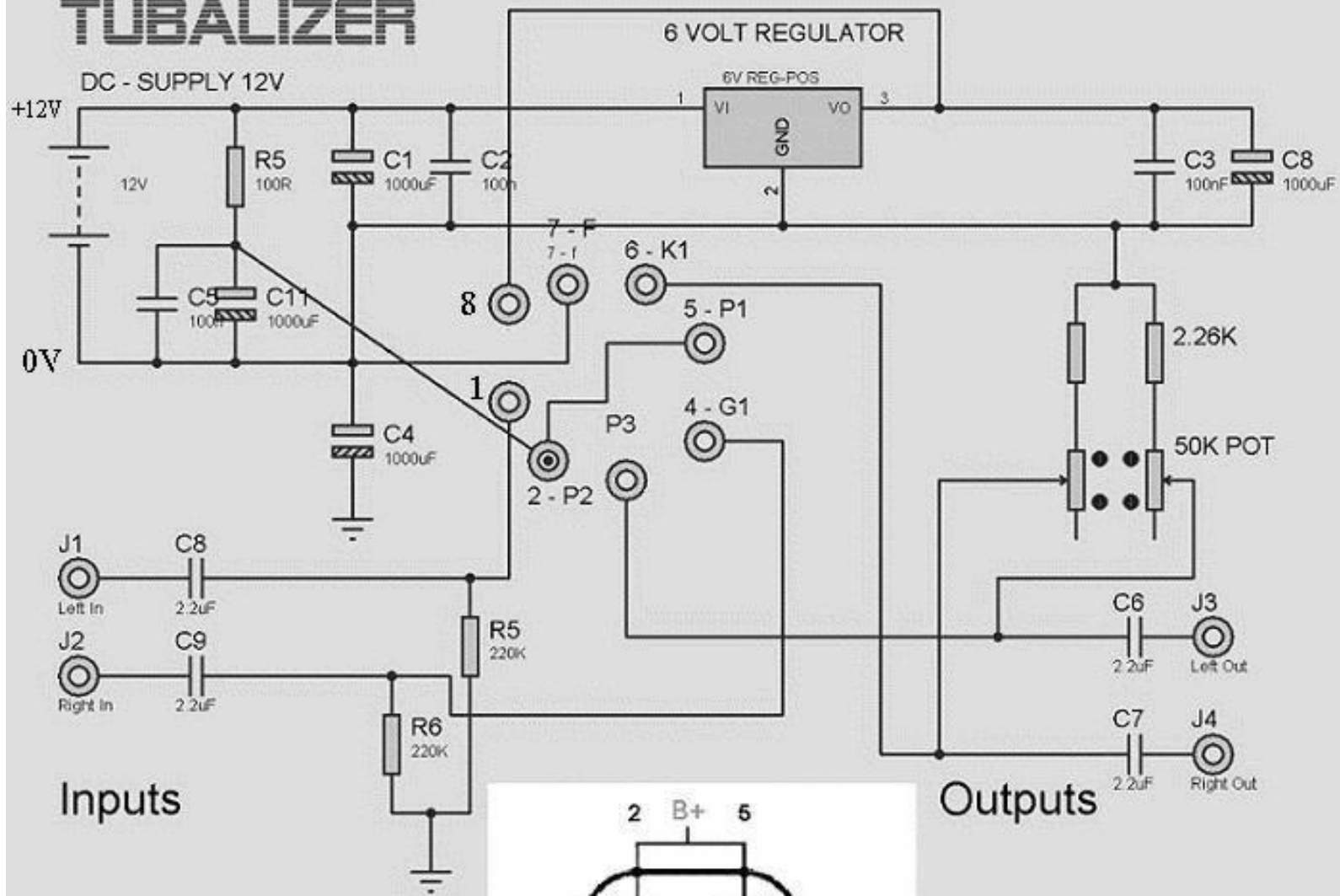
1. Input jacks insulated from chassis
2. Individual runs of twisted pair wires to filaments
3. All wiring point to point using terminal strips
4. Voltages taken with a cheap DMM.
5. Speaker is Celestion Vintage 30, 12", 8 ohm.



BLOCK DIAGRAM

13

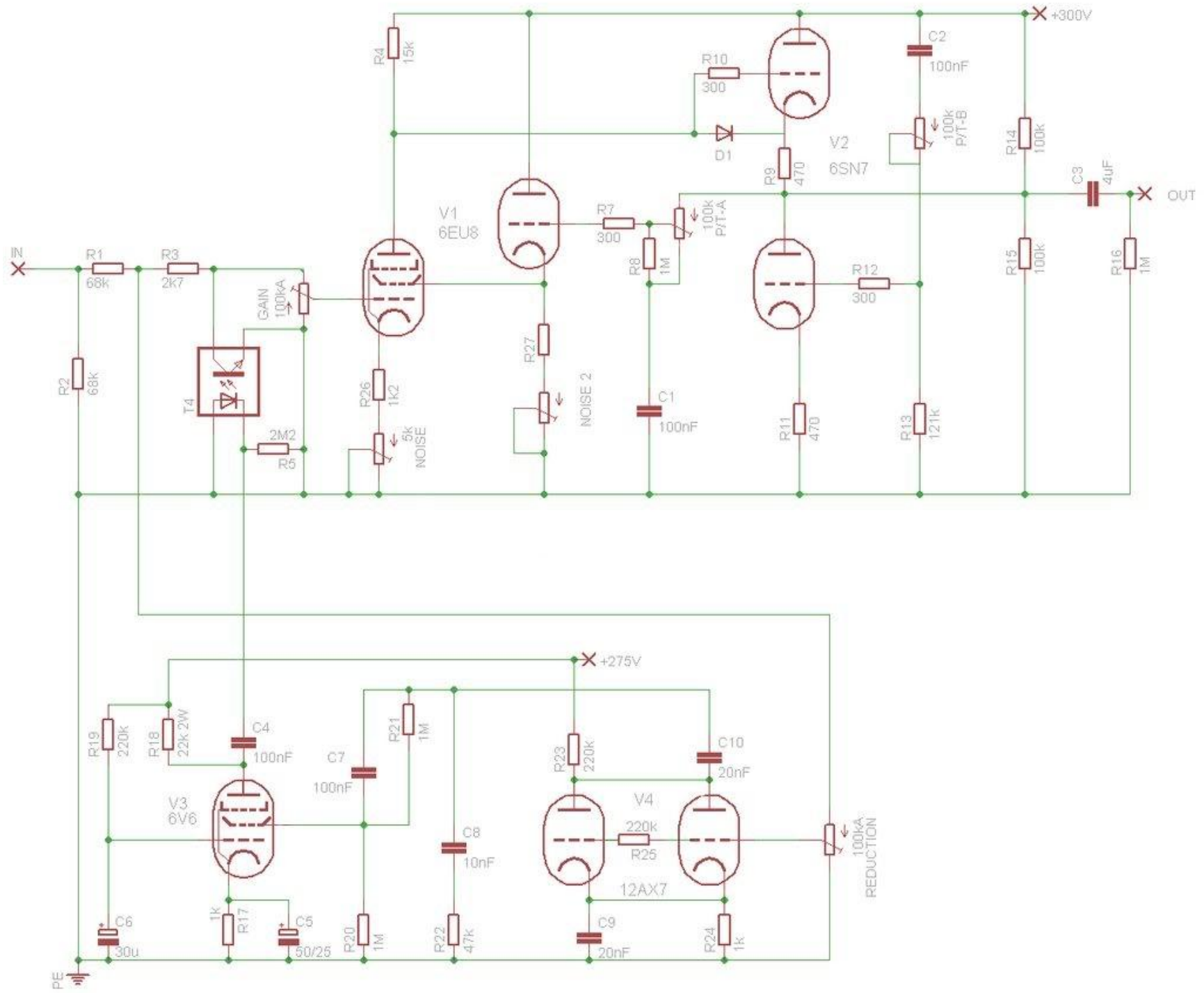
# TUBALIZER

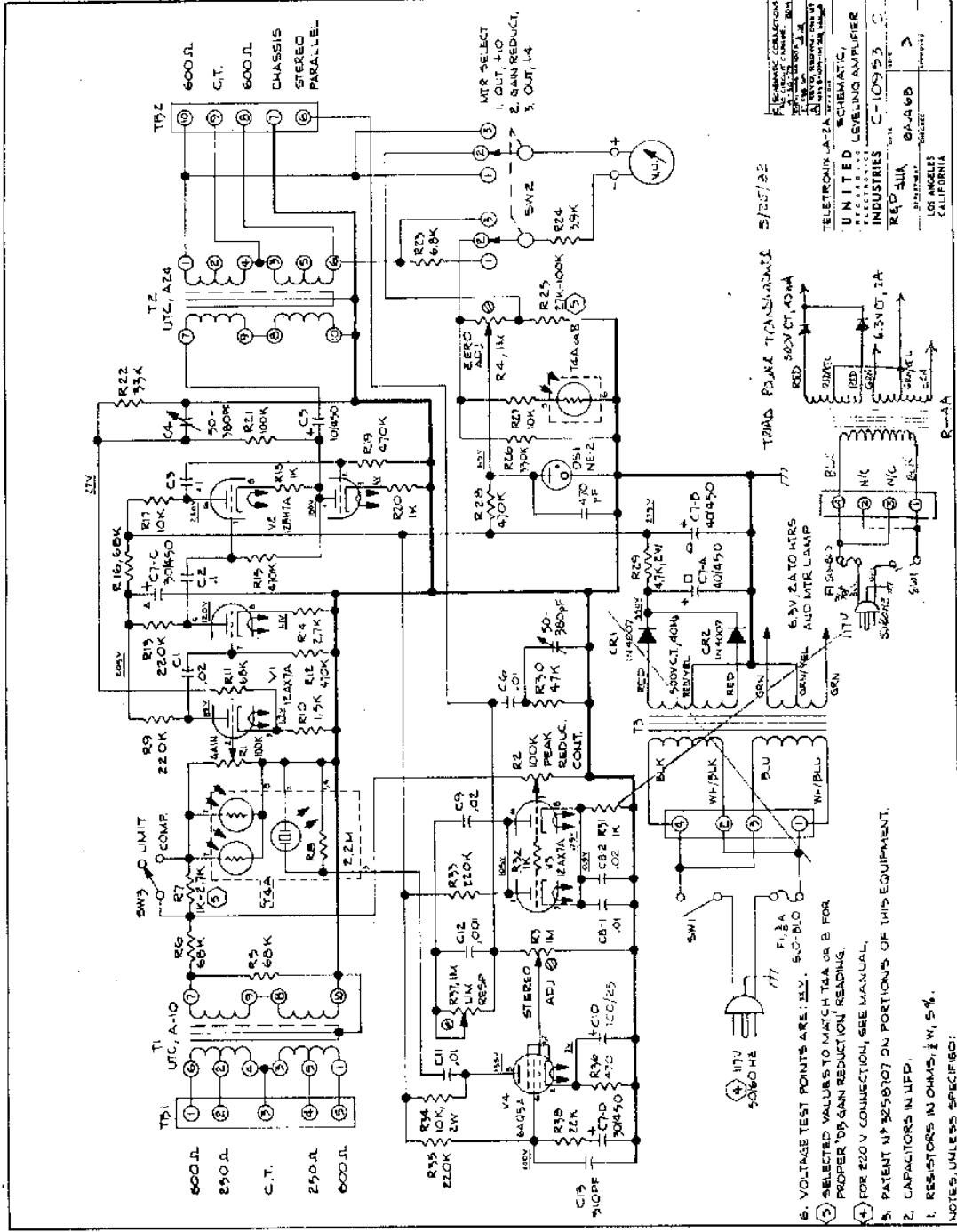


12 Volt DC  
Line level tube buffer  
using 6SL7

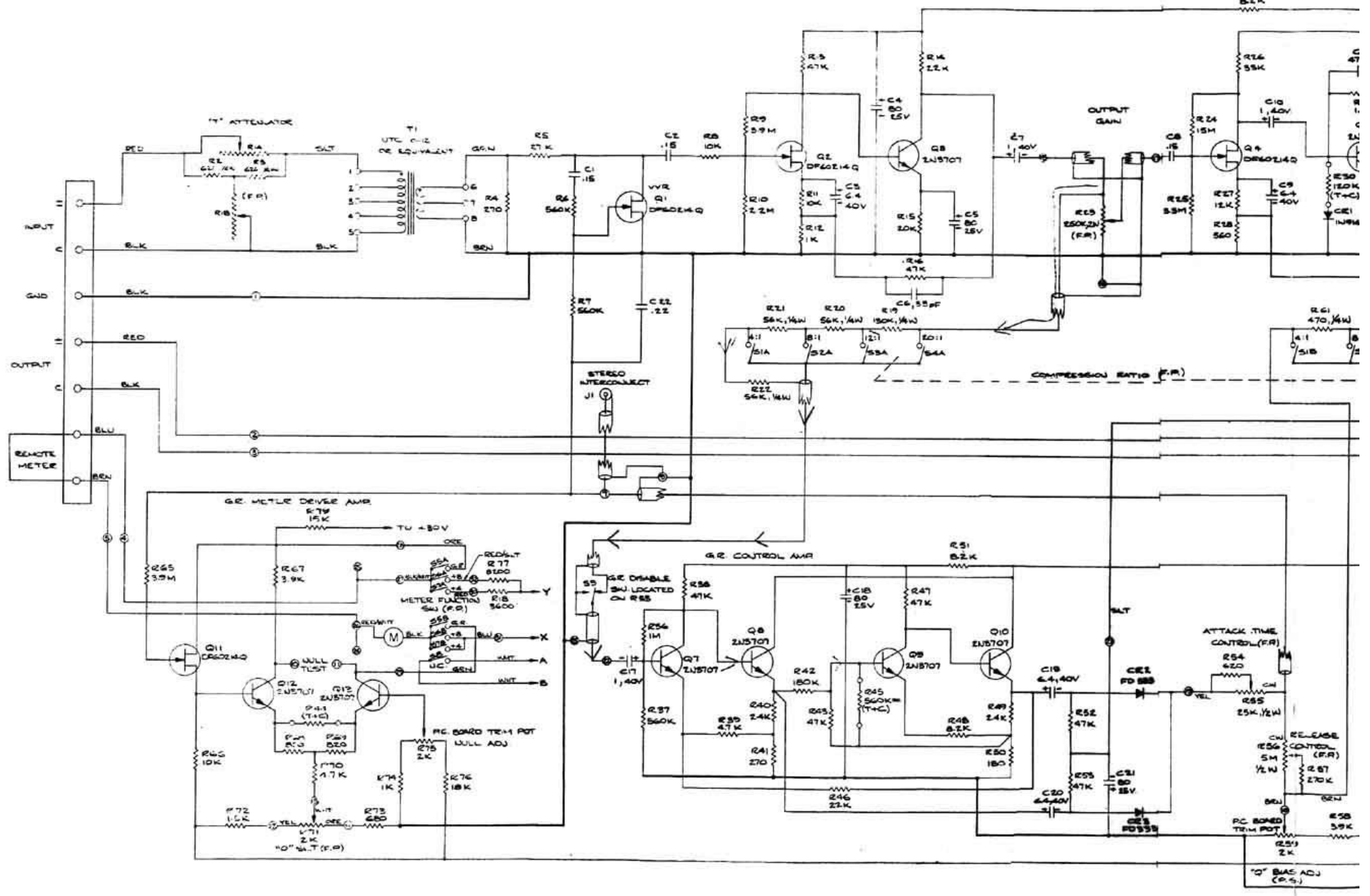
Designed by  
Autocostruire/Audiodigit.  
Schematic badly drawn by S3.



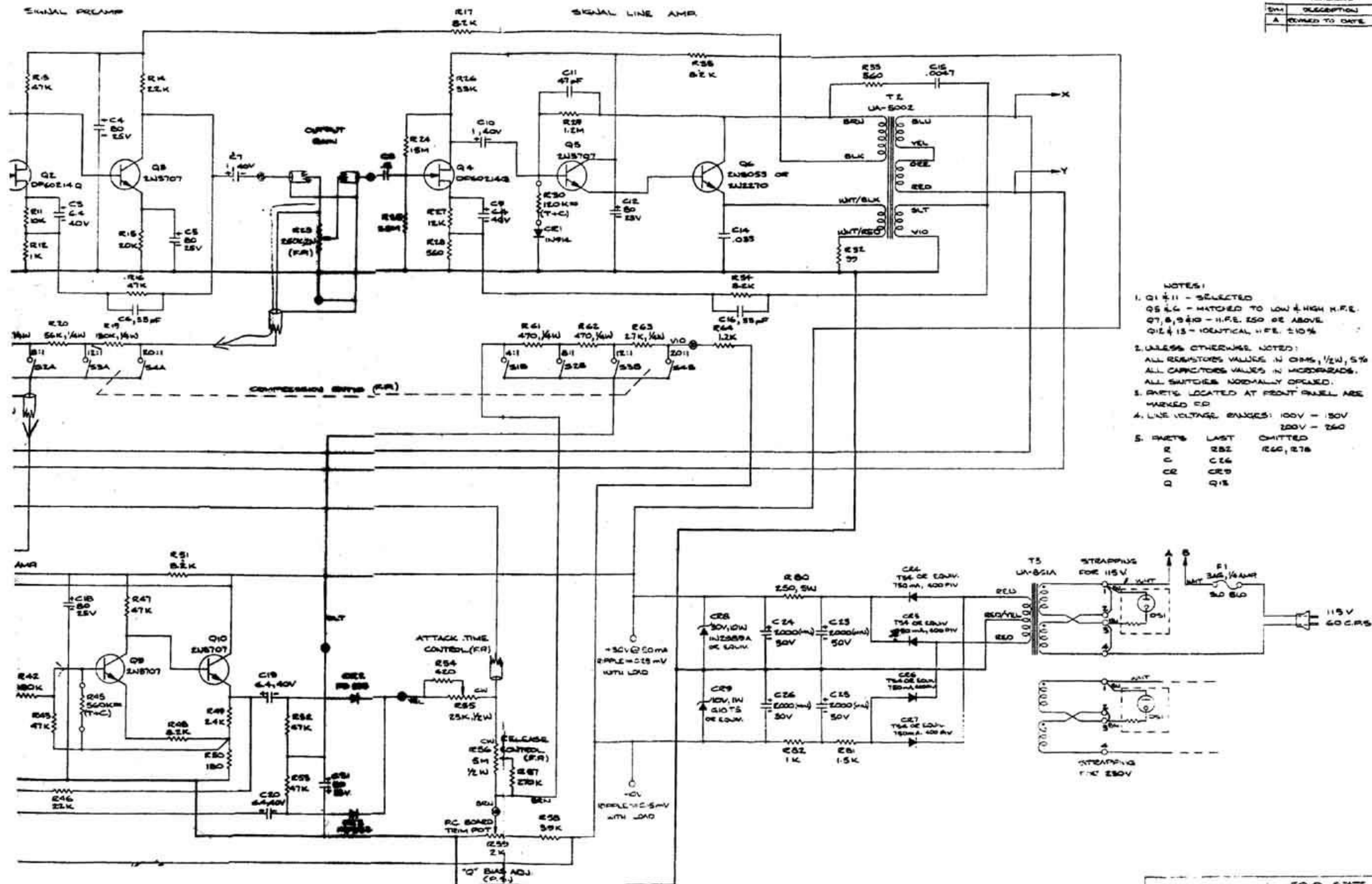




SIGNAL PRE/AMP



REVISIONS		
REV.	DESCRIPTION	DATE
A	REVISED TO DATE	1/10/74



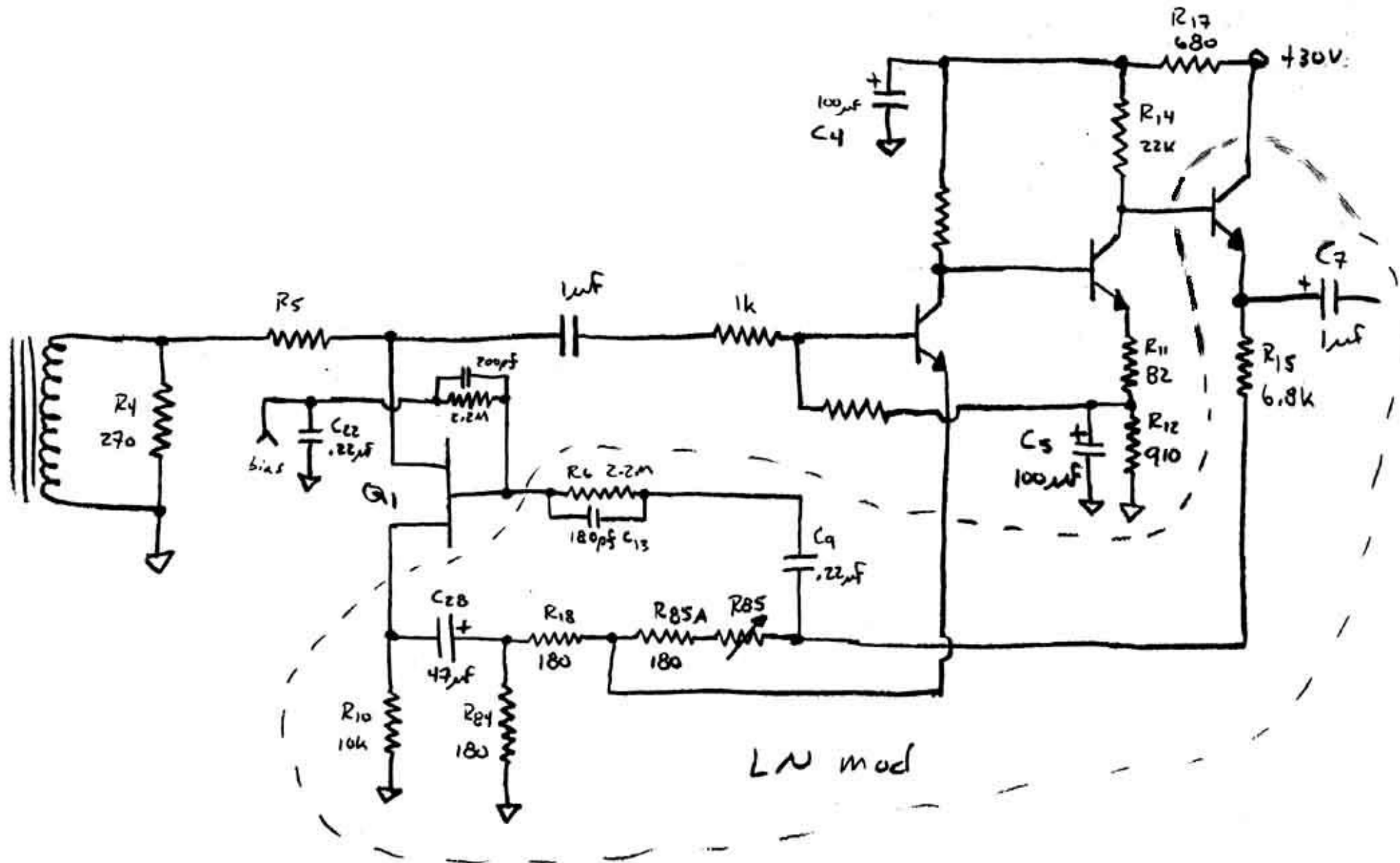
- NOTES:
- Q1 & 11 - SELECTED  
Q5 & 6 - MATCHED TO LOW & HIGH H.F.E.  
Q7, 8, 9 & 10 - H.F.E. 250 OR ABOVE  
Q12 & 13 - IDENTICAL H.F.E. 210%
  - UNLESS OTHERWISE NOTED:  
ALL RESISTORS VALUES IN OHMS, 1/2W, 5%  
ALL CAPACITORS VALUES IN MICROSECS.  
ALL SWITCHES NORMALLY OPENED.
  - PHET'S LOCATED AT FRONT PANEL ARE MARKED CO
  - LINE VOLTAGE RANGES: 100V - 130V  
200V - 260V
  - PHET'S LAST CHANGED
- |   |     |          |
|---|-----|----------|
| R | R52 | R60, R78 |
| C | C26 |          |
| Q | Q18 |          |

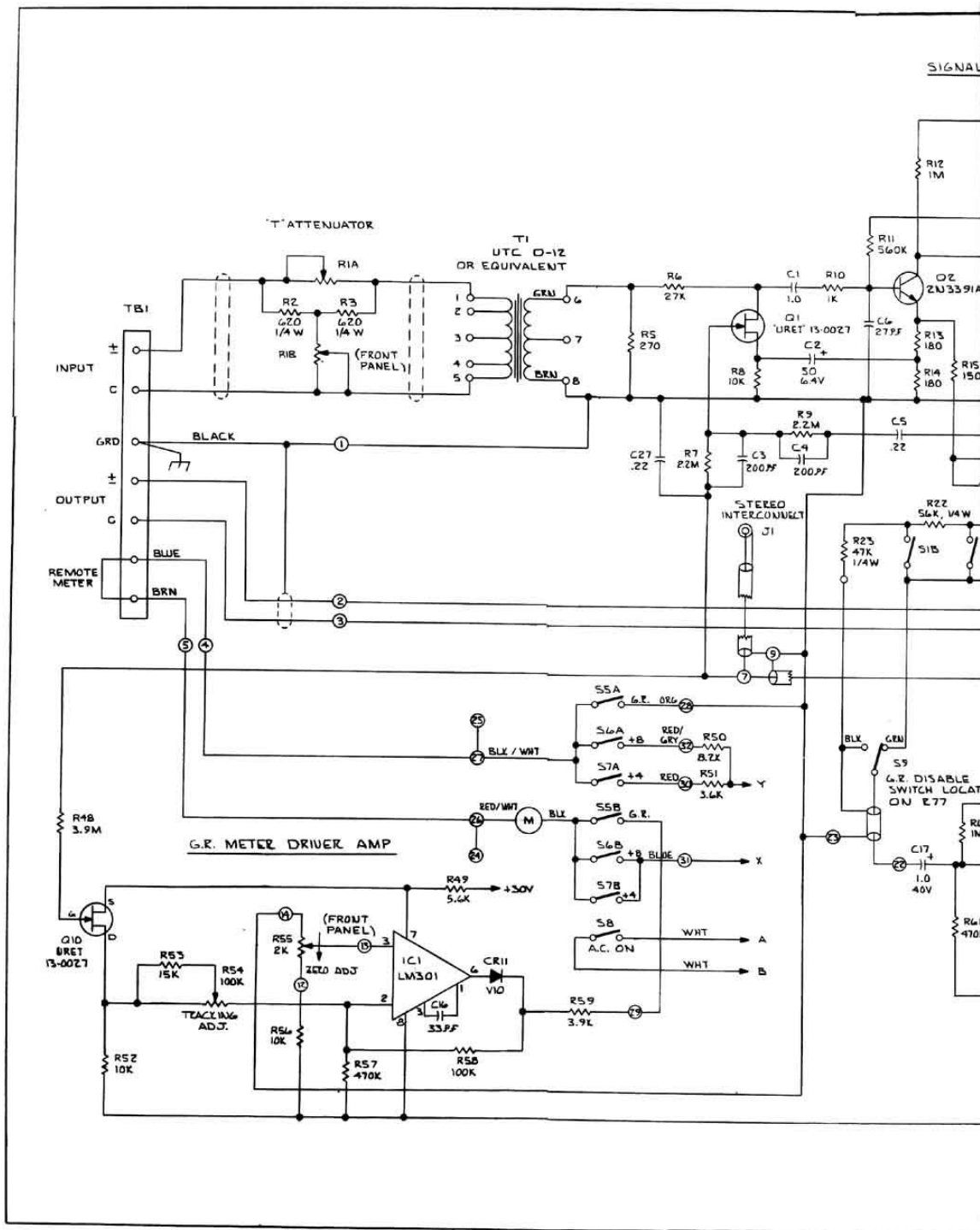
UNIVERSAL AUDIO DIV.  
STEREO ELECTRONICS CORP.  
11922 W. LEO RD.  
NO. HOLLYWOOD, CALIF. 91605

SOLID STATE  
LIMITING AMPLIFIER  
MODEL 1176

REVISIONS  
DATE 1/10/74  
PAGE 22

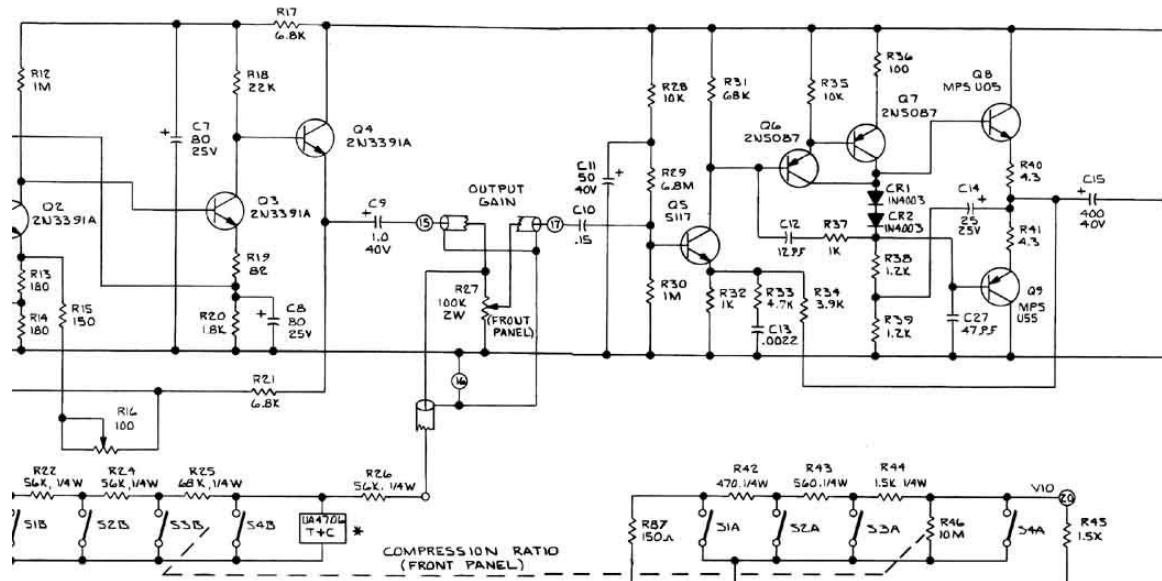
R-10743



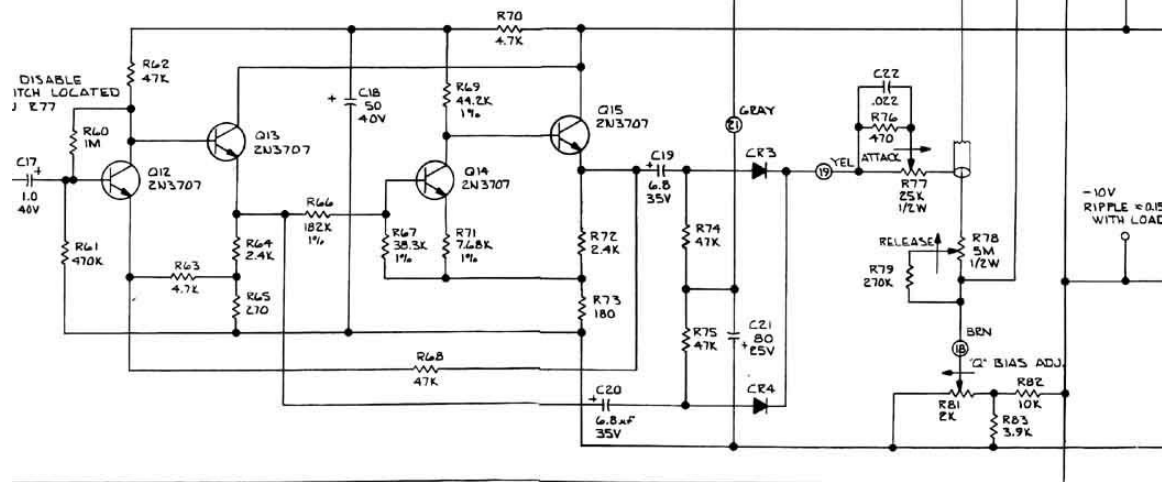


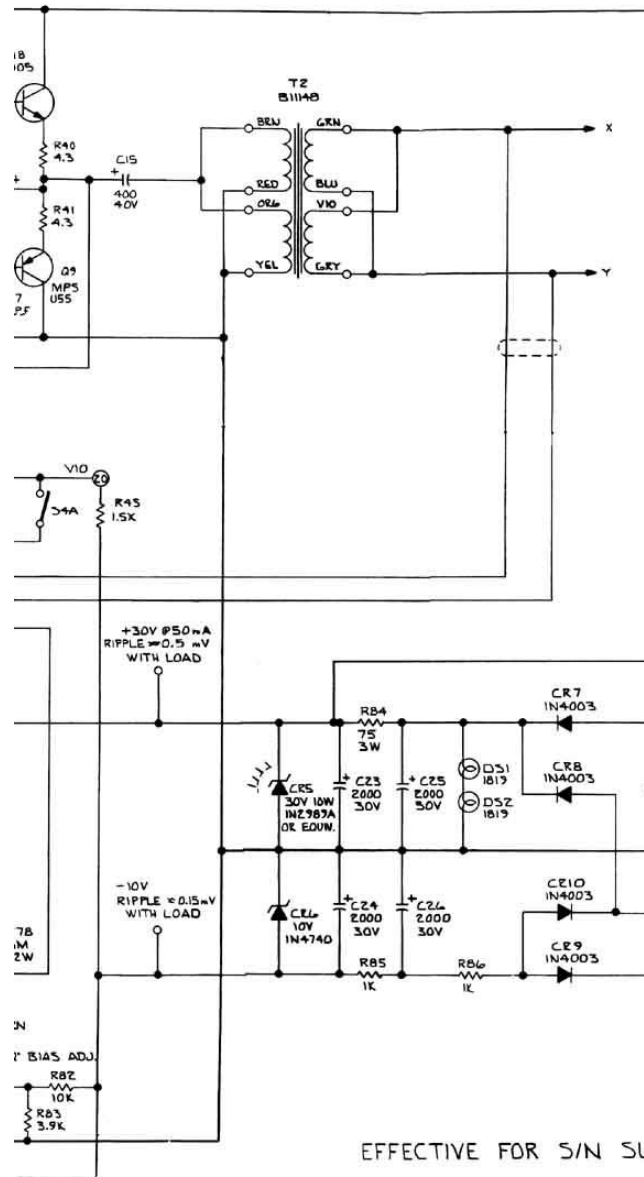
SIGNAL PRE-AMP

SIGNAL LINE AMP



GR CONTROL AMP





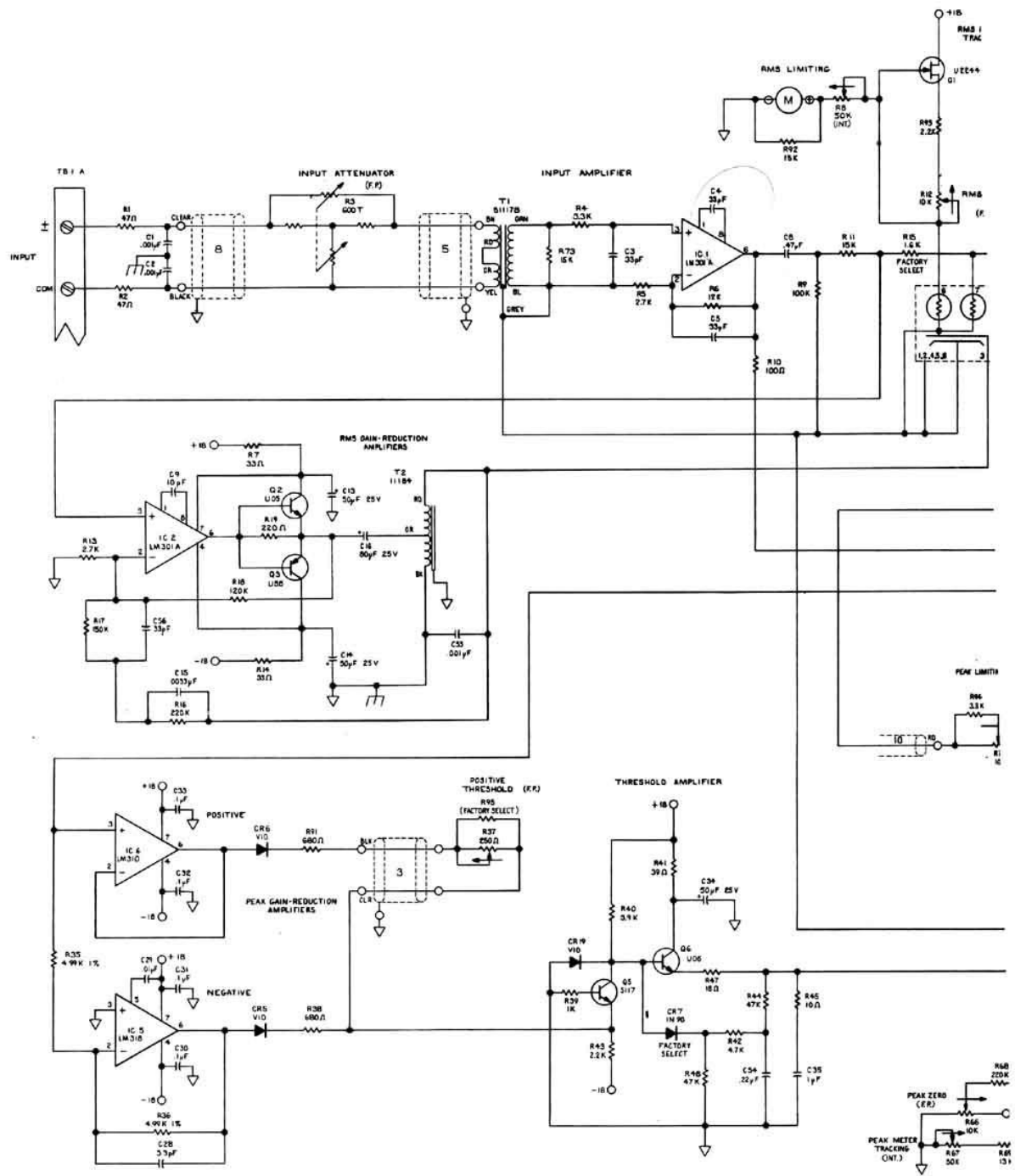
- NOTES: UNLESS OTHERWISE SPECIFIED
1. ALL RESISTOR VALUES ARE IN OHMS  
1/2W ±5%
  2. ALL CAPACITOR VALUES ARE IN MICROFARADS
  3. SWITCHES ARE NORMALLY OPEN
  4. Q1 AND Q10 ARE SELECTED
  5. Q12, 13, 14, AND 15 - H.F.E. 250 OR ABOVE
  6. \* SYMBOL INDICATES FACTORY SET VALUE

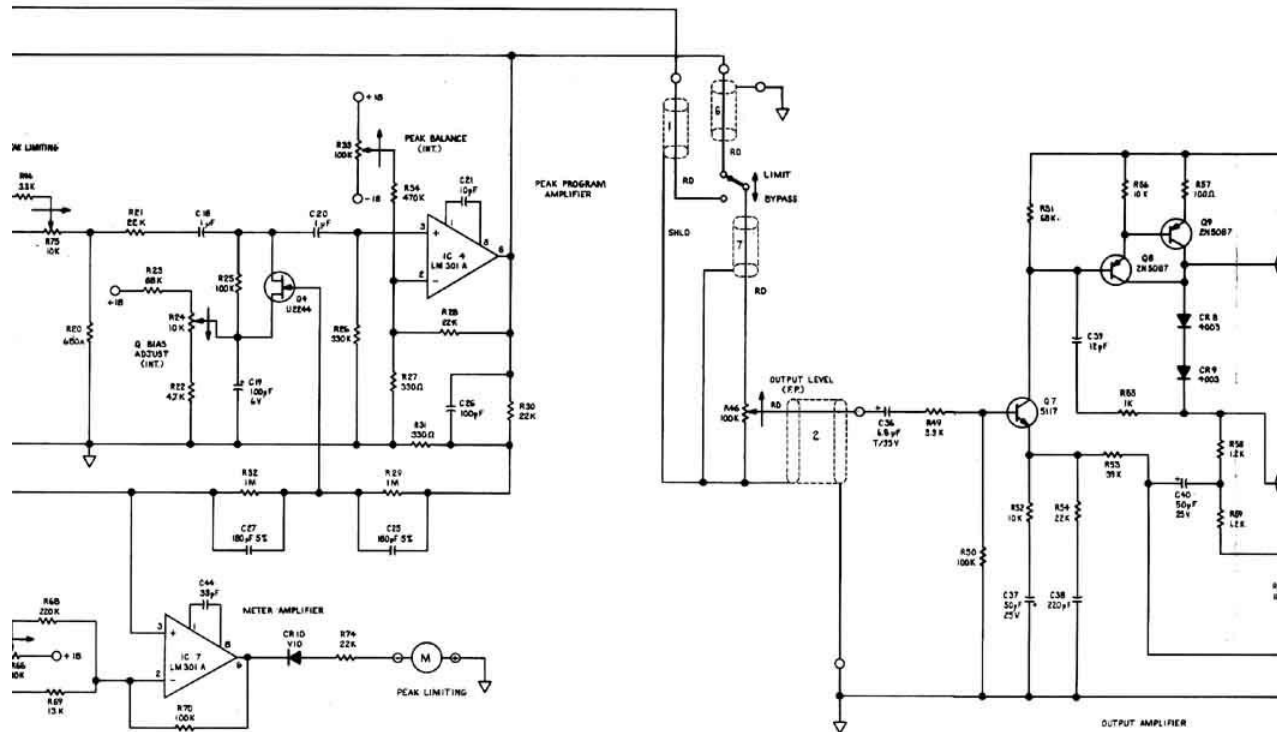
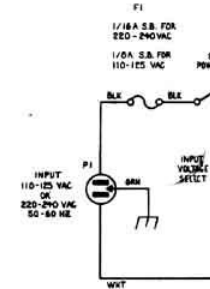
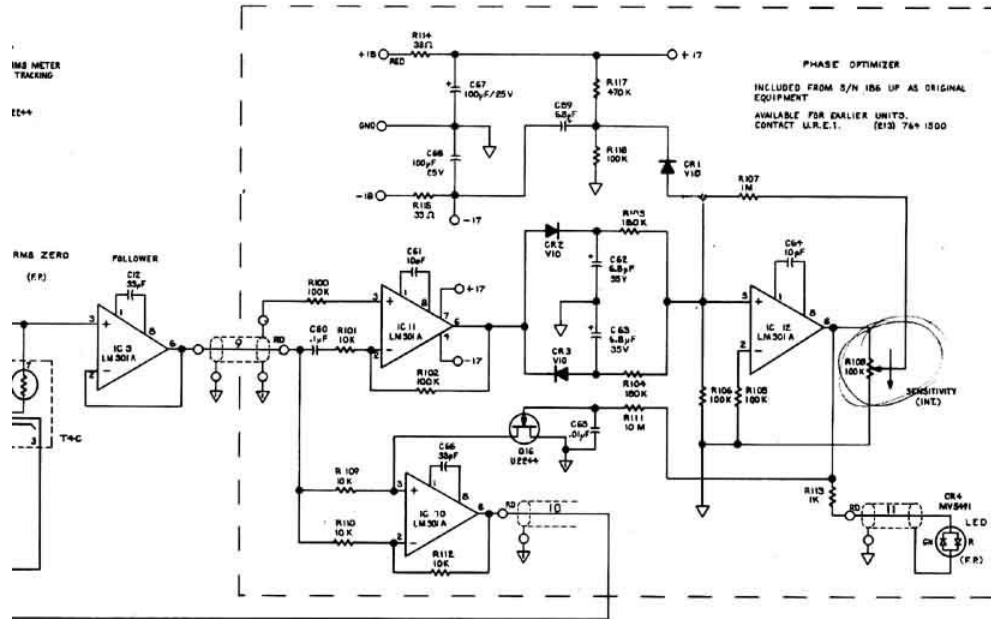
EFFECTIVE FOR S/N SUFFIX 'F'

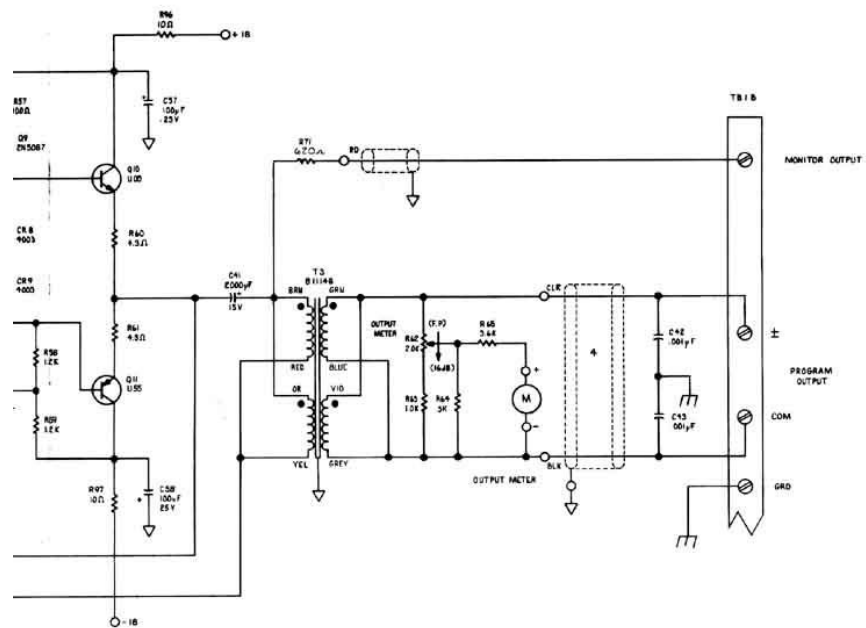
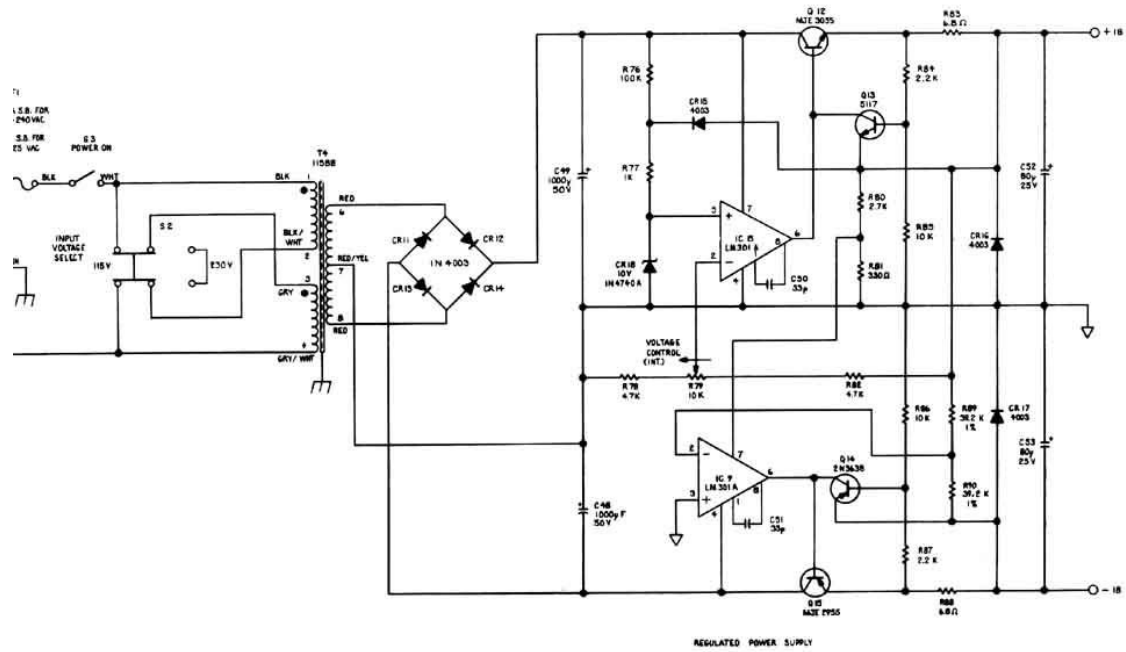
REV A CHANGED FOR VALUE CORRECTIONS ONLY 7-2-75 L.E.

UNITED ELECTRONIC INDUSTRIES		SOLID STATE LIMITING AMPLIFIER MODEL 117L-L-N	
DATE	3-15-73	REV	
DEPARTMENT	LOS ANGELES CALIFORNIA	CHECKED	L.E.
		APPROVED BY	R11914









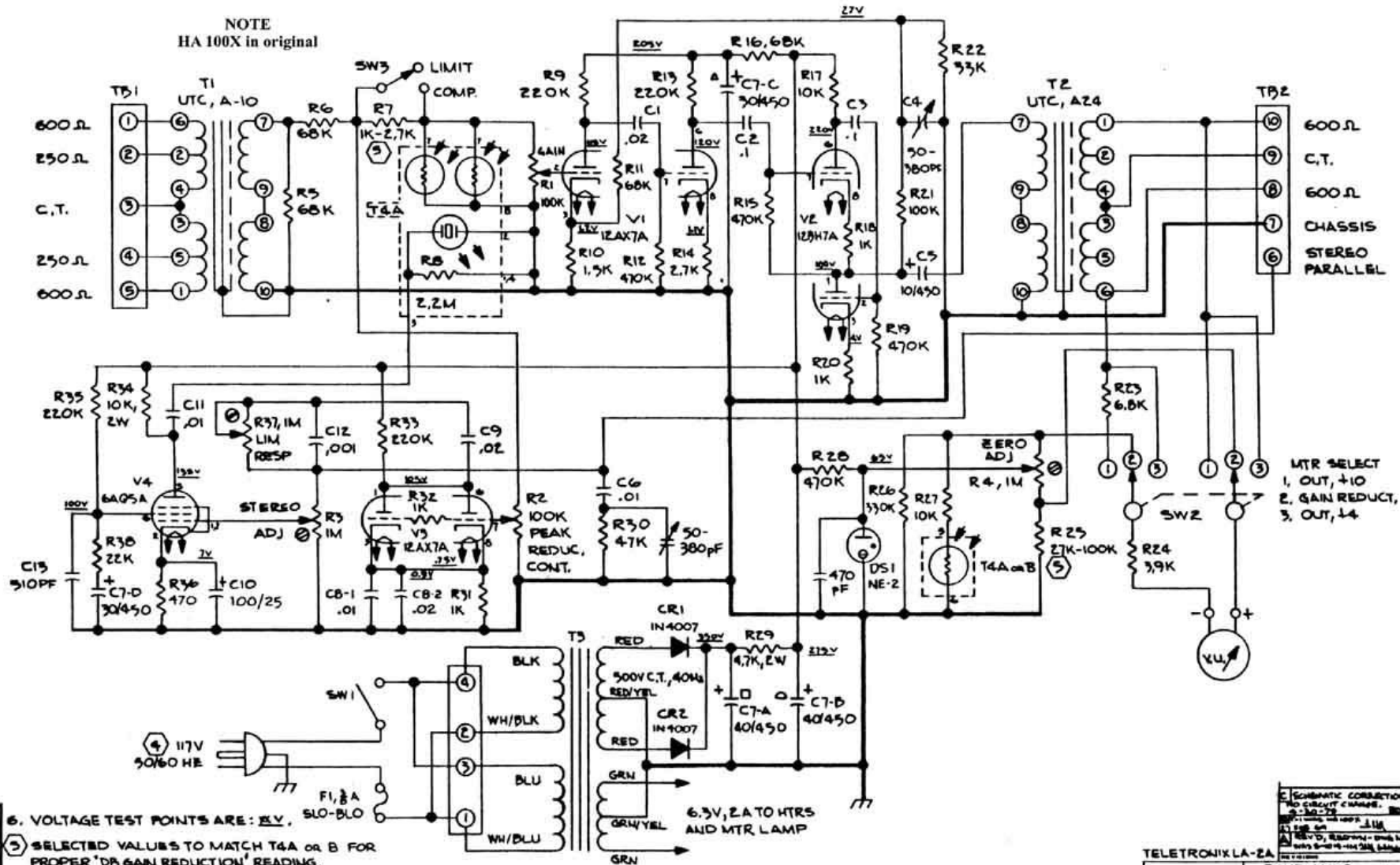
NOTES: UNLESS OTHERWISE SPECIFIED

1. RESISTOR VALUES ARE IN OHMS, K $\Omega$ , 1/2 W
2.  $\nabla$  INDICATES AUDIO GROUND
3.  $\nabla$  INDICATES COMMON GROUND
4.  $\nabla$  INDICATES CHASSIS GROUND
5.  $\rightarrow$  INDICATES C.W. DIRECTION

REV. A PER EO 0083 LE 9-24-74  
 SIN 240

UNITED INDUSTRIES	BL40 SCHEMATIC
BL40	6-28-74
LOS ANGELES, CALIFORNIA	RM 11943

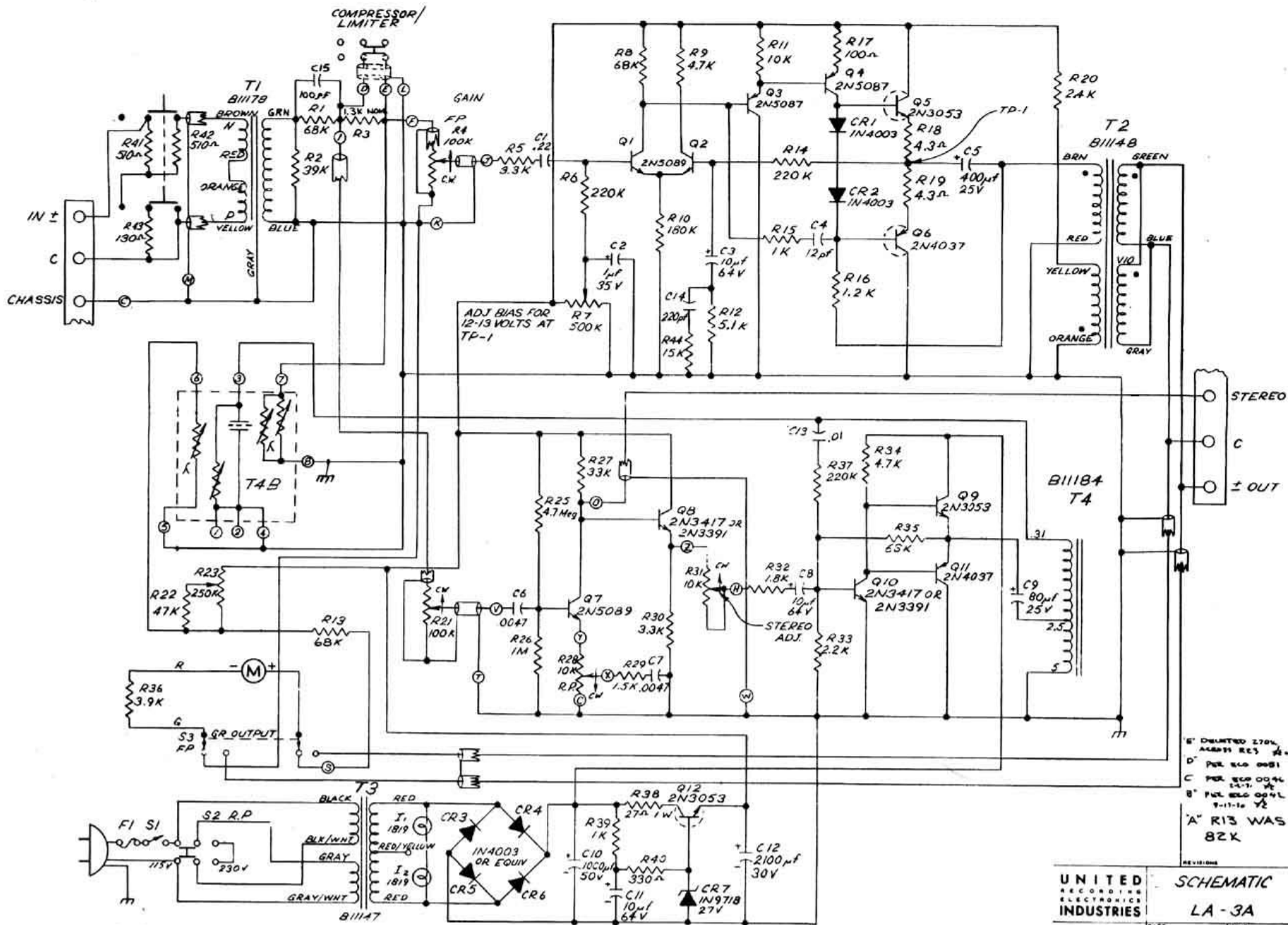
NOTE  
HA 100X in original



6. VOLTAGE TEST POINTS ARE: 2V.
5. SELECTED VALUES TO MATCH T4A OR B FOR PROPER 'DB GAIN REDUCT' READING.
4. FOR 220 V CONNECTION, SEE MANUAL.
3. PATENT 4,325,6707 ON PORTIONS OF THIS EQUIPMENT.
2. CAPACITORS IN μFD.
1. RESISTORS IN OHMS, ½ W, 5%.
- NOTES, UNLESS SPECIFIED:

SCHEMATIC CORRECTIONS  
NO CIRCUIT CHANGES  
3-10-53  
R.P.D. REVISION - 100%  
C.T. 100%  
A) 250Ω, 250Ω - 100%  
B) 250Ω, 250Ω - 100%

TELETRONIX LA-2A	
UNITED ELECTRONIC INDUSTRIES	SCHEMATIC, LEVELER AMPLIFIER
R.P.D. IIIA	C-10953 C
DEPARTMENT	DATE
LOS ANGELES CALIFORNIA	AUG 68
CHECKED	APPROVED

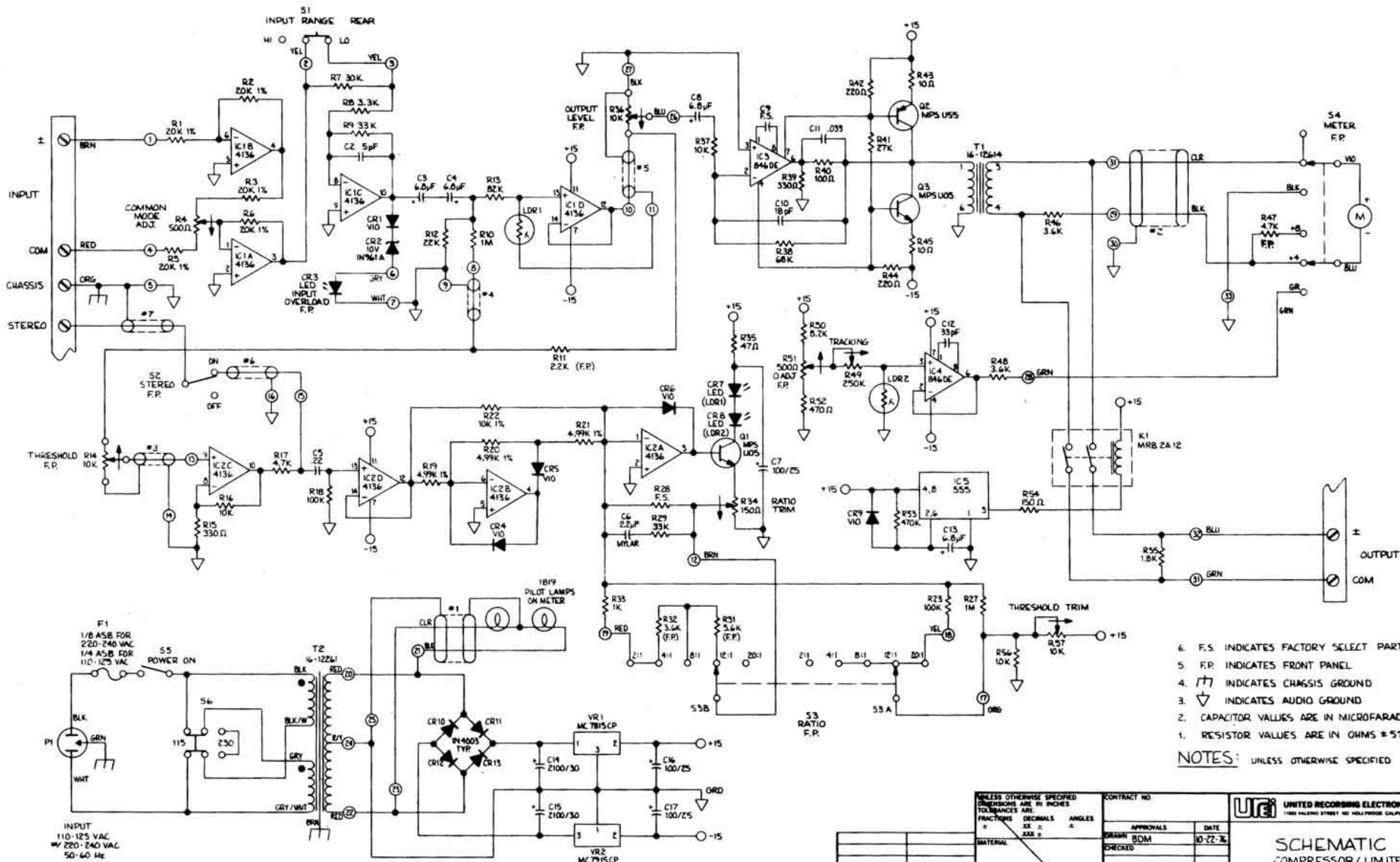


FUSE:  
 3A $\frac{1}{2}$  AMP SLO-BLO FOR 120V  
 3A $\frac{1}{2}$  AMP SLO-BLO FOR 220V

B' DELETED 270V  
 A' R13 WAS 82K

UNITED RECORDING ELECTRONICS INDUSTRIES		SCHEMATIC	
		LA-3A	
DEPARTMENT	DATE	CHECKED	ISSUE
LOS ANGELES CALIFORNIA	4-14-70	JE	
		APPROVED BY	
		C111861.E	

REVISIONS			
ZONE	LTR	DESCRIPTION	DATE



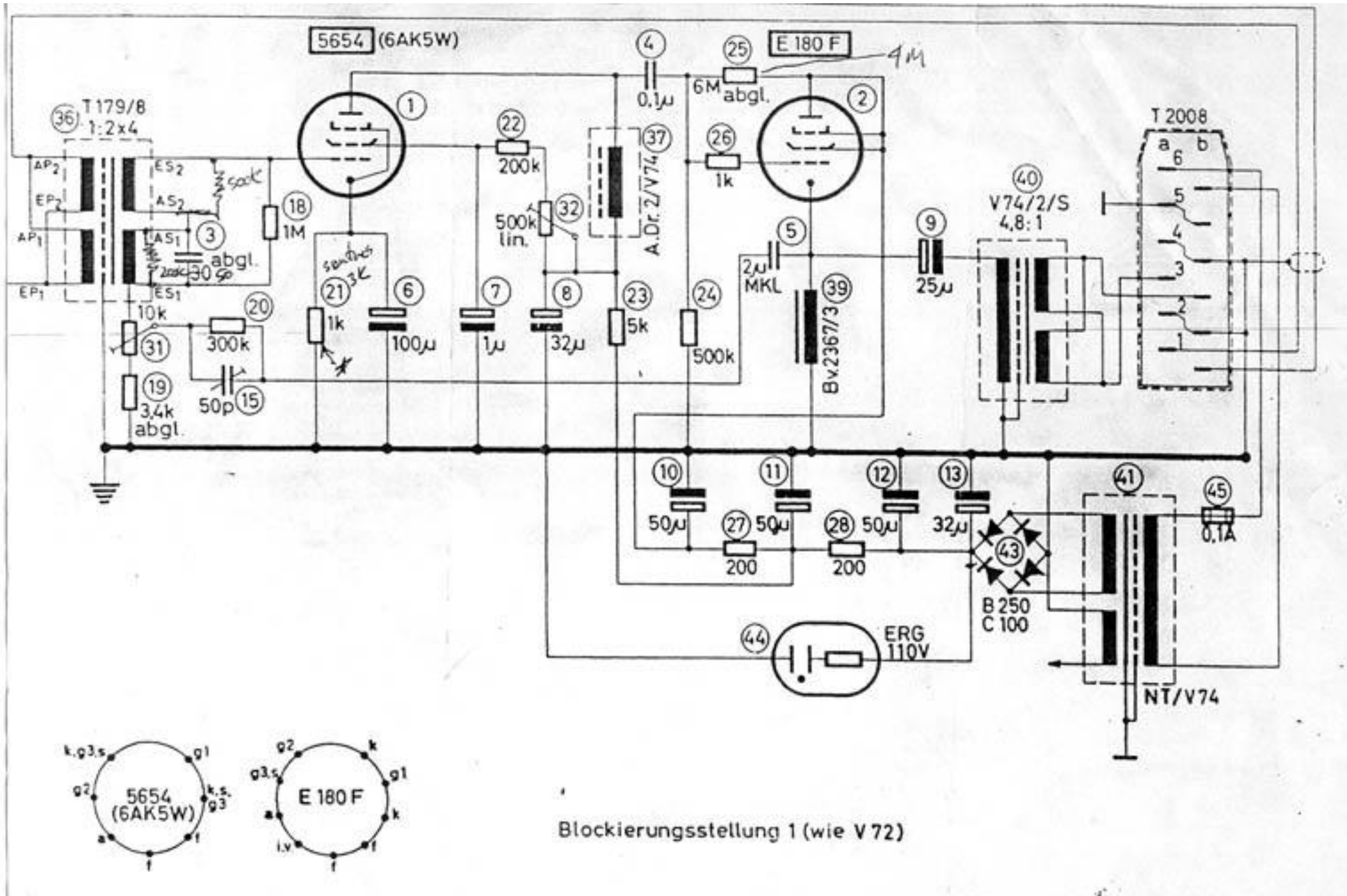
6. F.S. INDICATES FACTORY SELECT PART  
 5. F.P. INDICATES FRONT PANEL  
 4.  $\square$  INDICATES CHASSIS GROUND  
 3.  $\nabla$  INDICATES AUDIO GROUND  
 2. CAPACITOR VALUES ARE IN MICROFARADS  
 1. RESISTOR VALUES ARE IN OHMS  $\pm 5\%$  1/2 W
- NOTES: UNLESS OTHERWISE SPECIFIED

F1  
 1/8 ASB FOR 220-240 VAC  
 1/4 ASB FOR 110-125 VAC

S5 POWER ON

INPUT  
 110-125 VAC  
 MV 220-240 VAC  
 50-60 HZ

UNLESS OTHERWISE SPECIFIED DIMENSIONS ARE IN INCHES TOLERANCES ARE:		CONTRACT NO.	
FRACTIONS	DECIMALS	APPROVALS	DATE
$\frac{1}{16}$ - .001	.001 - .010	DRAWN	10-22-74
$\frac{1}{32}$ - .005	.010 - .030	CHECKED	
$\frac{1}{64}$ - .010	.030 - .060		
MATERIAL		UNITED RECORDING ELECTRONICS INDUSTRY 1485 HOLLAND STREET HO HOLLYWOOD CALIFORNIA 91606	
FINISH		SCHEMATIC COMPRESSOR/LIMITER	
NEXT ABBY USED ON		SIZE	MODEL NO. DRAWING NO.
APPLICATION		D	LA-4 12647
DO NOT SCALE DRAWING		SCALE	SHEET 1 OF 1



Blockierungsstellung 1 (wie V 72)