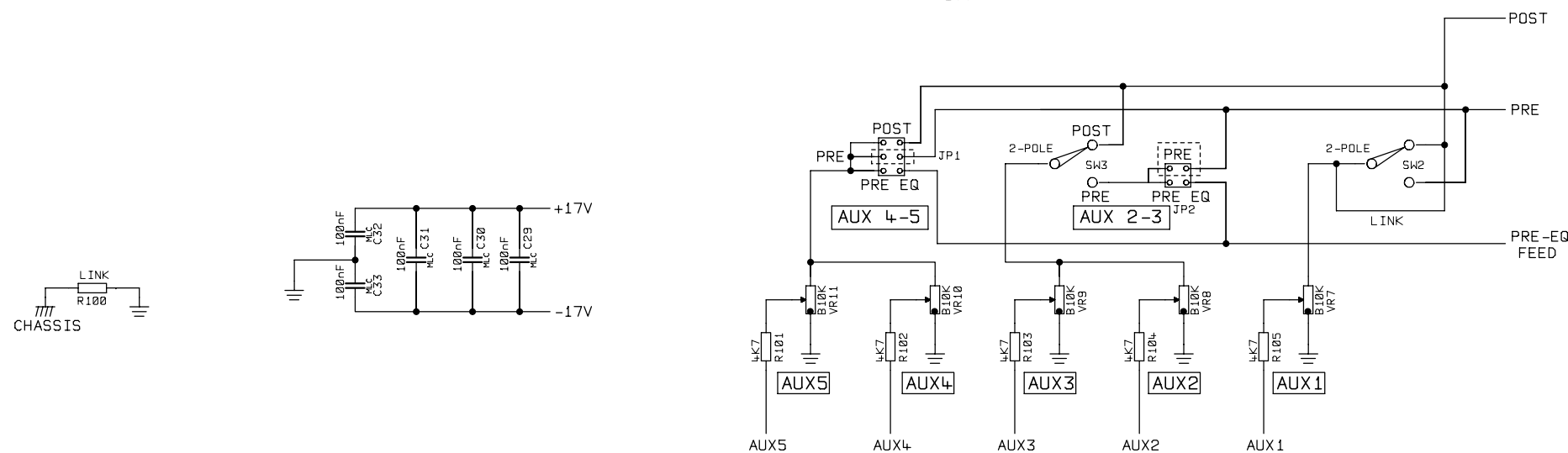
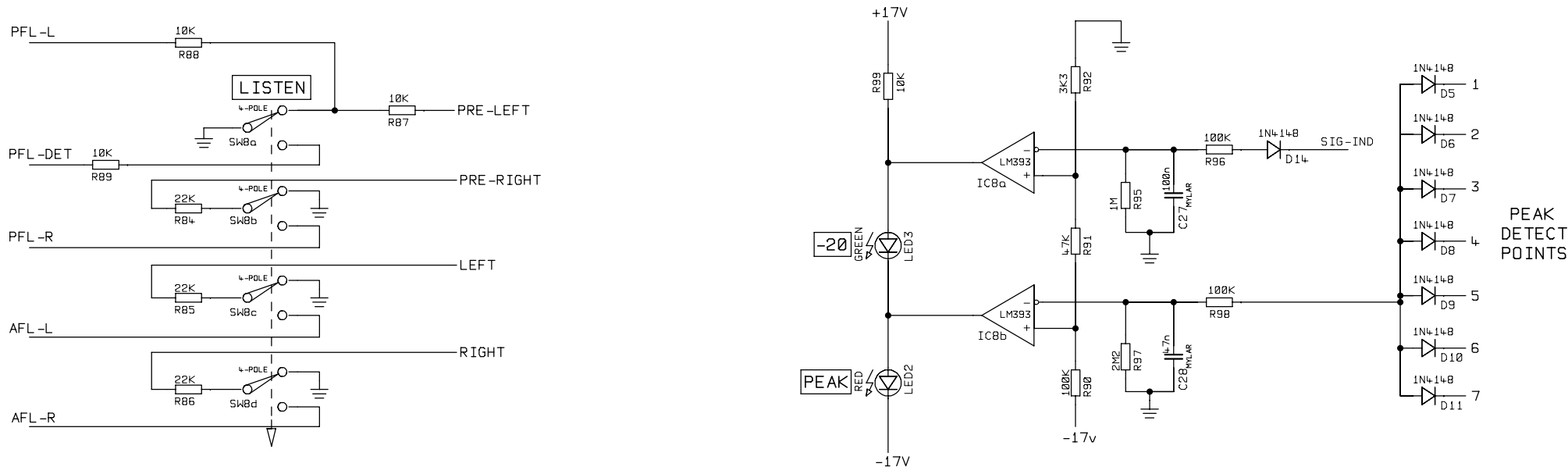


PIN OUTS FOR ALL OPAMPS + LM393

GROUP A	GROUP B
1 = 0/P	8 = +17V
2 = -	7 = 0/P
3 = +	6 = -
4 = -17V	5 = +

STUDIOMASTER DIAMOND LTD		TITLE		STEREO INPUT CIRCUIT		FILE NAME	
PRODUCT		PR02 (R6)		PART 1 OF 2		R6C2A-1.DGM	
VERSIONS		DRN BY		P.A.		DATE	
						26-02-97	
						ISSUE No	
						9603032-1	
						PCBUSU52	



PIN OUTS FOR ALL OPAMPS + LM393

GROUP A	GROUP B
1 = O/P	8 = +17V
2 = -	7 = O/P
3 = +	6 = -
4 = -17V	5 = +

STUDIOMASTER DIAMOND LTD

TITLE STEREO INPUT CIRCUIT

FILE NAME R6C2B-1.DGM

PRODUCT PR02 (R6)

PART 2 OF 2

ISSUE No 9603032-1

VERSIONS

DRN BY P.A. DATE 26-02-97

PCBUSU52