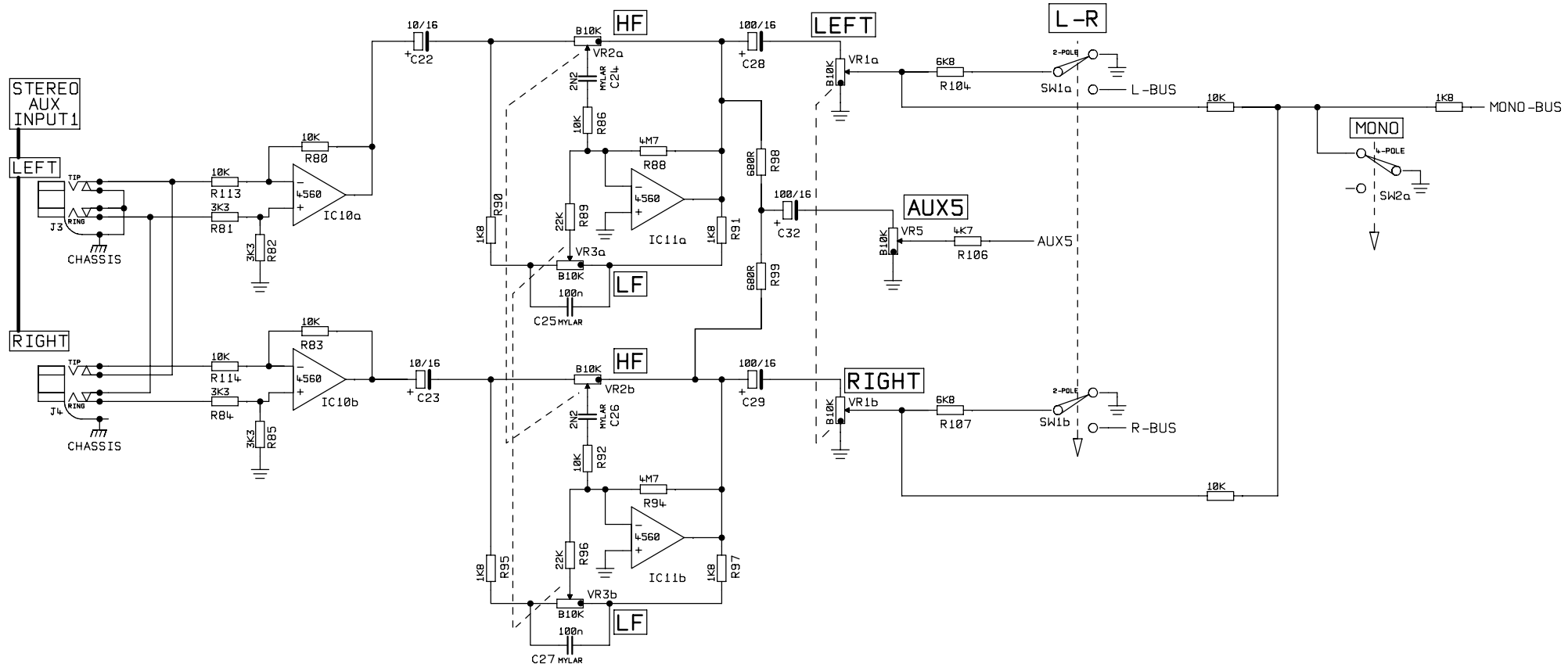


0dB _r = +4dB _u	STUDIOMASTER DIAMOND LTD		FILE NAME	R6C3A-1.DGM	
	PRODUCT	PR02 (R6)	TITLE	LEFT OUTPUT BOARD	
	VERSIONS		PART 1 OF 2	ISSUE No	
			DRN BY	P.A.	DATE 26-02-97
					9603033-1 PCBUSU62



STUDIOMASTER DIAMOND LTD		TITLE		LEFT OUTPUT BOARD		FILE NAME		R6C3B-1.DGM	
PRODUCT	PR02 (R6)	PART 2 OF 2				ISSUE No		9603033-1	
VERSIONS		DRN BY	P.A.	DATE	26-02-97			PCBUSU62	