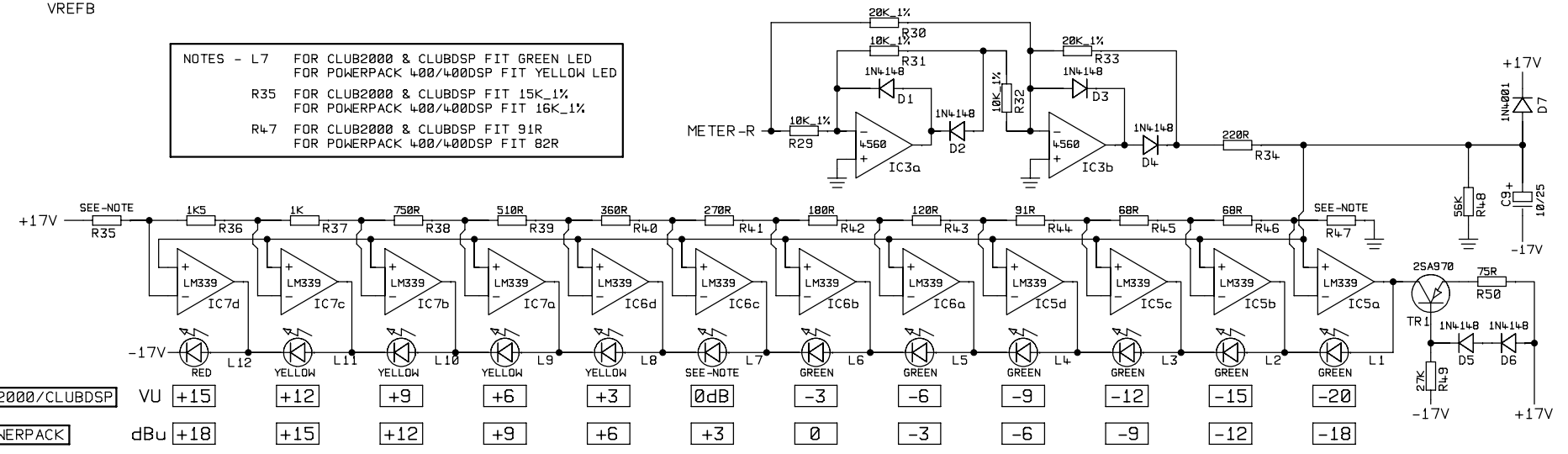


NOTES - L7 FOR CLUB2000 & CLUBDSP FIT GREEN LED
 FOR POWERPACK 400/400DSP FIT YELLOW LED
 R35 FOR CLUB2000 & CLUBDSP FIT 15K_1%
 FOR POWERPACK 400/400DSP FIT 16K_1%
 R47 FOR CLUB2000 & CLUBDSP FIT 91R
 FOR POWERPACK 400/400DSP FIT 82R



1	=	O/P	=	GRPB
2	=	O/P	=	GRPA
3	=	+17V		
4	=	+	=	GRPA
5	=	+	=	GRPB
6	=	+	=	GRPB
7	=	+	=	GRPB
8	=	+	=	GRPC
9	=	+	=	GRPC
10	=	+	=	GRPD
11	=	+	=	GRPD
12	=	-17V		
13	=	O/P	=	GRPD
14	=	O/P	=	GRPC

REV B - FOR POWERPACK 400 & 400DSP CHANGE
 L7 FROM GREEN TO YELLOW
 R35 FROM 15K_1% TO 16K_1%
 R47 FROM 91R TO 82R

REV A - C1 FROM 47P TO 100P

GROUP A		GROUP B		
1	=	0	=	+17V
2	=	7	=	O/P
3	=	6	=	+
4	=	5	=	-17V

NOTE - ALL RESISTORS ARE 0.125W TYPE
 0dB_T = +4dBu

STUDIOMASTER DIAMOND LTD

PRODUCT: LOGIC 12
 CLUB2000
 CLUBDSP
 POWERPACK

MODEL: ALL
 ALL
 ALL
 400 400DSP

TITLE: RIGHT OUTPUT

PART 1 OF 1

DRN BY: P.A. DATE: 04-03-99

FILE NAME: R7C4-4.DGM

ISSUE No: **9607047-4**

REV B