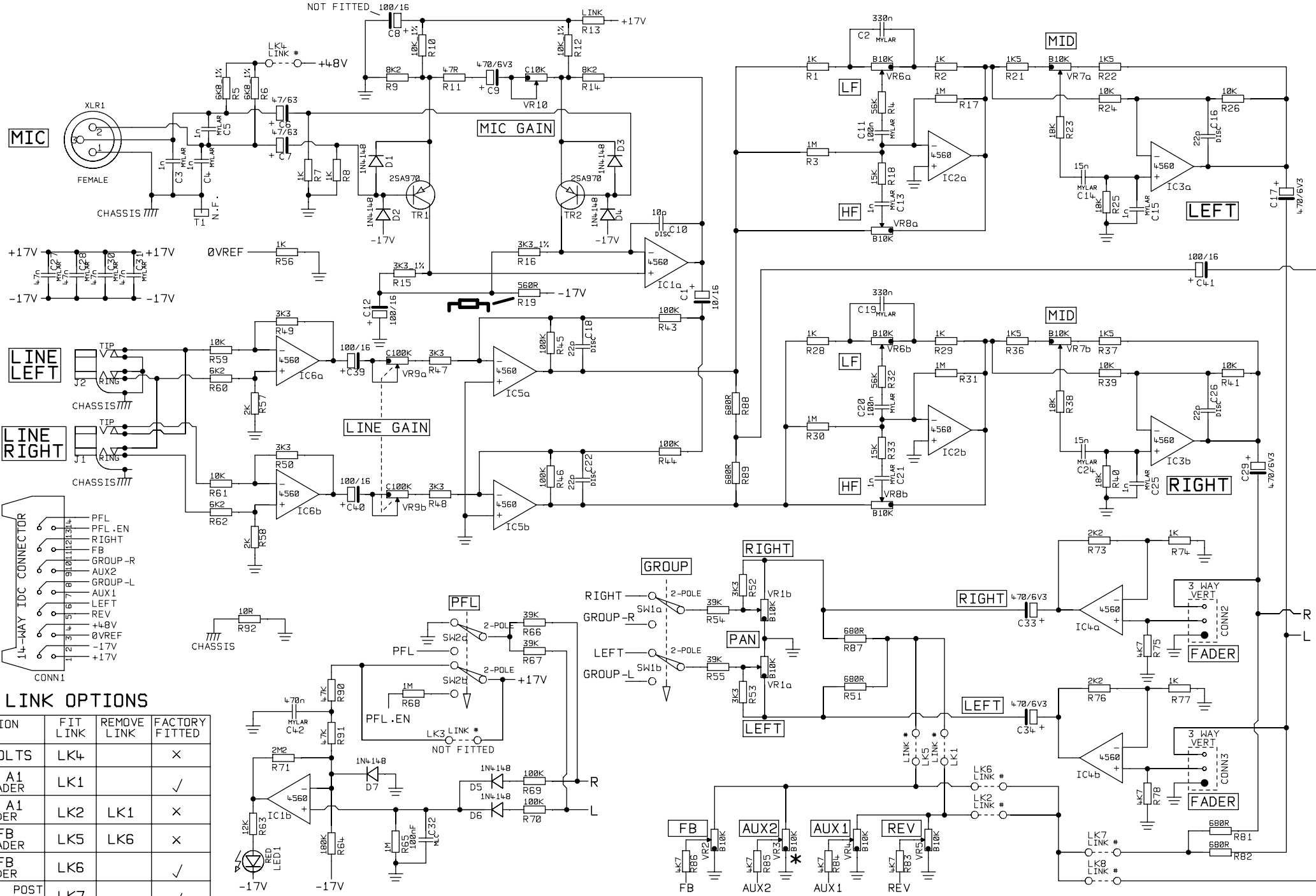


NOTE: VOLTAGES MEASURED AT 230V A.C. SUPPLY

REV3 = R47 & R50 CHANGED FROM 220R 5% TO 220R 5% FUSIBLE
 R4 CHANGED FROM 1K2 5% TO 1K5 5%
 REV4 = R45, R48 33k 5% REMOVED
 R46, R49 CHANGED FROM 5K6 TO 2K7 5%
 REV5 = 900E ADDED TO RANGE, R46 & R49 CHANGED FROM 2K7 TO 15K
 R47 & R50 CHANGED FROM F220R TO F1K (FUSIBLE),
 R35, R36, R37, R38 CHANGED FROM 0R22 ROX35 TO 0R18 ROX35

STUDIOMASTER DIAMOND LTD		TITLE		AMPLIFIER AMP CIRCUIT		FILE NAME	
PRODUCT		700D 900E PHV PHF		PART 1 OF 1		R1C5-4.DGM	
VERSIONS		ALL MODELS		DRN BY		ISSUE No	
		ALL MODELS		P.A.		R1C5-4	
		ALL MODELS		DATE		REV5	
		ALL MODELS		06-09-99			



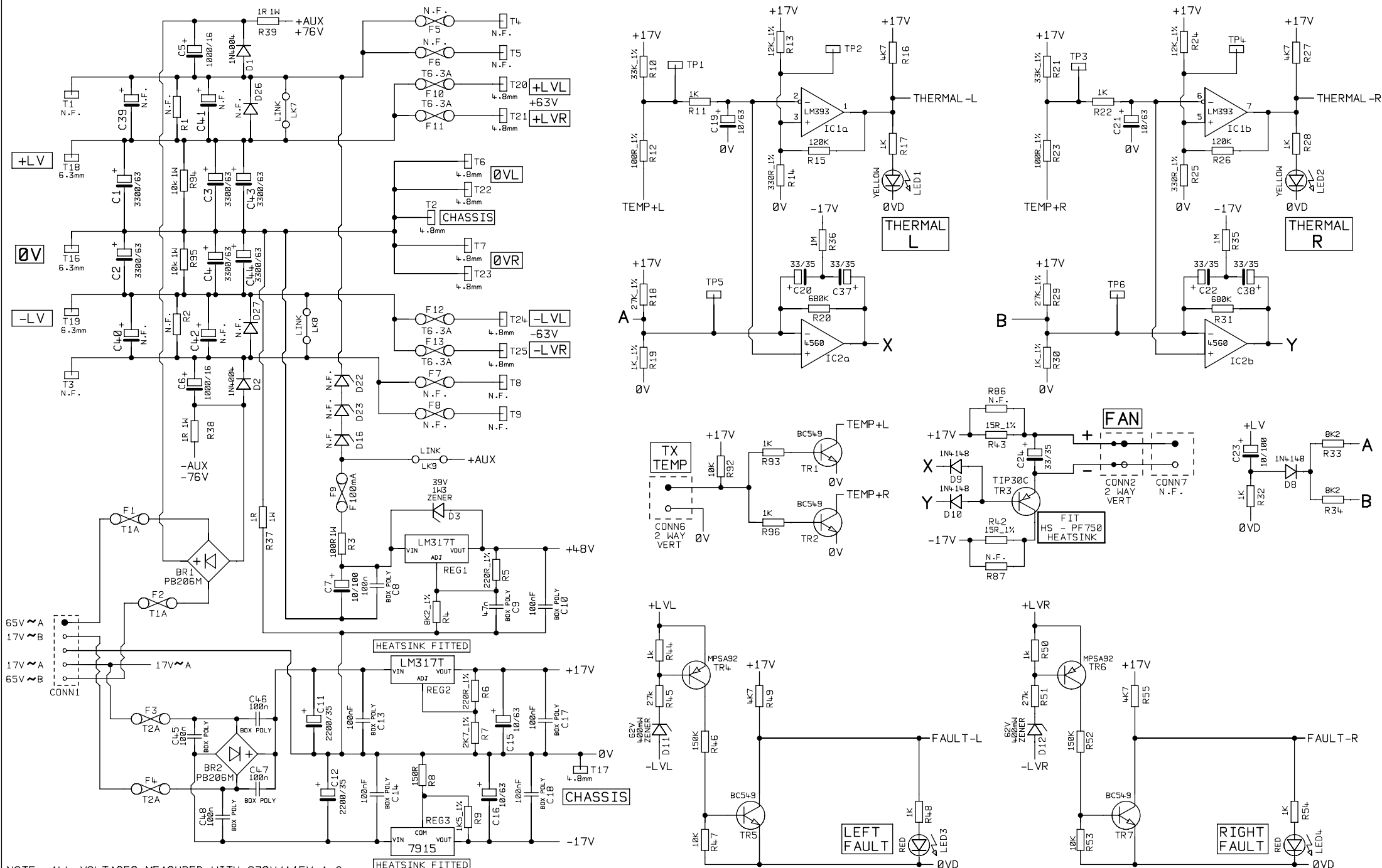
LINK OPTIONS

FUNCTION	FIT LINK	REMOVE LINK	FACTORY FITTED
+4.8 VOLTS	LK4		X
REV + A1 POST FADER	LK1		✓
REV + A1 PRE FADER	LK2	LK1	X
A2 + FB POST FADER	LK5	LK6	X
A2 + FB PRE FADER	LK6		✓
PRE FADE POST SOURCE EQ	LK7		✓
PRE FADE PRE SOURCE EQ	LK8	LK7	X

NOTE : COMPONENTS MARKED * = FITTED ON HORIZON 1208 / 1216 ONLY

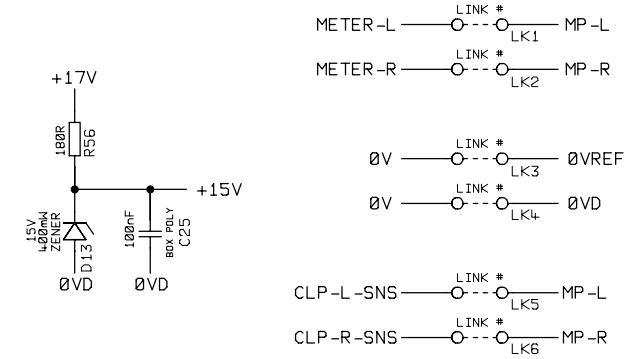
= FIT COMPONENT WITH BODY 3MM OFF BOARD

STUDIOMASTER DIAMOND LTD				TITLE		STEREO INPUT CIRCUIT		FILE NAME	
PRODUCT				POWERHOUSE VISION / HORIZON		PART 1 OF 1		R1C6-3.DGM	
VERSIONS				708	712	1208	1216	ISSUE No	
				DRN BY		P.A.		DATE	
						22-07-97		R1C6-3	



NOTE: ALL VOLTAGES MEASURED WITH 230V/115V A.C.

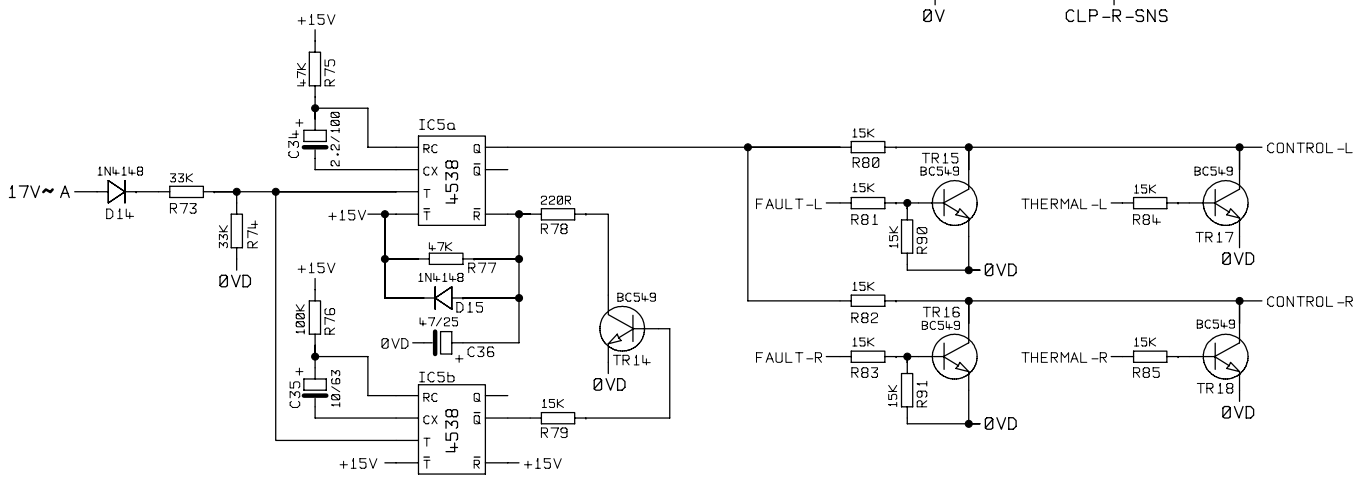
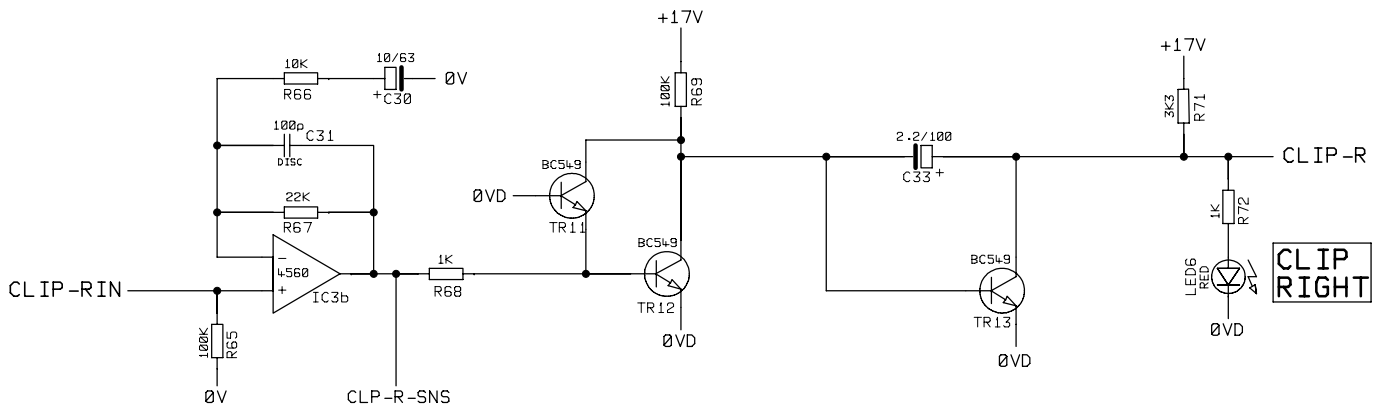
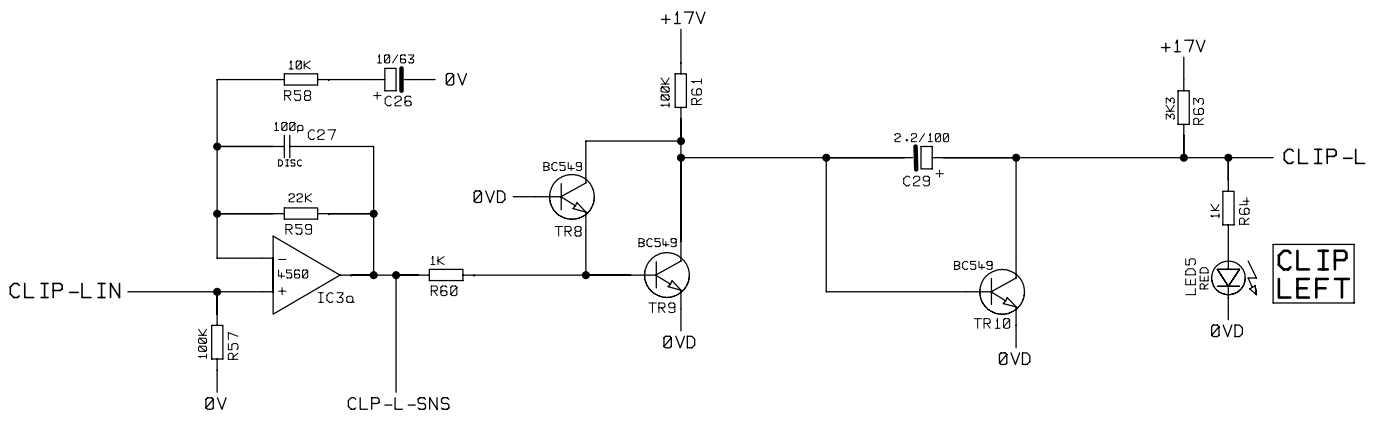
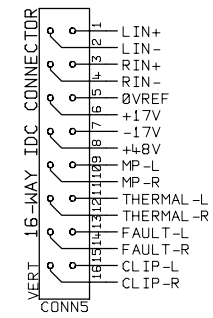
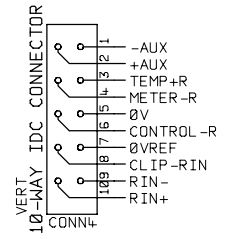
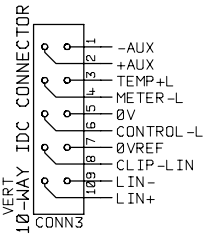
STUDIOMASTER DIAMOND LTD		TITLE	AMPLIFIER PSU CIRCUIT		FILE NAME
PRODUCT	VISION. FOCUS. 700D	PART 1 OF 2			R2C1C-4.DGM
VERSIONS	ALL	900E	DRN BY	P.B.	DATE
					09-06-99
					ISSUE No
					R2C1C-4



TO LEFT AMP

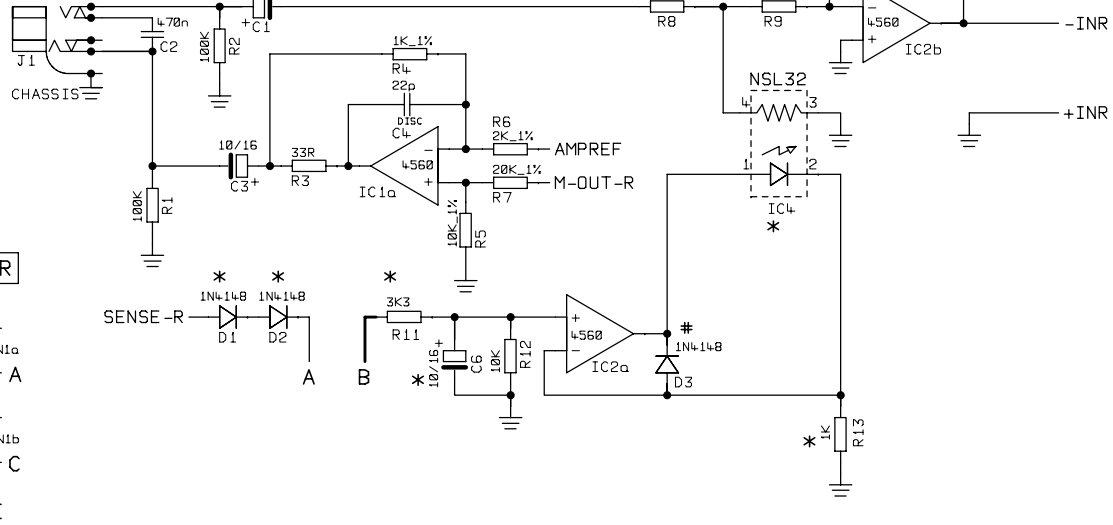
TO RIGHT AMP

TO IN-OUT BOARD

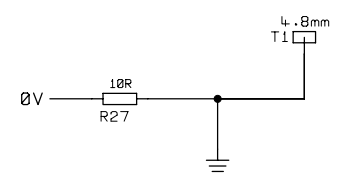


STUDIOMASTER DIAMOND LTD		TITLE	AMPLIFIER PSU CIRCUIT		FILE NAME	R2C1D-4.DGM	
PRODUCT	FOCUS, VISION, 700D	PART 2 OF 2			ISSUE No	R2C1D-4	
VERSIONS	ALL	900E	DRN BY	P.B.	DATE	03-06-99	

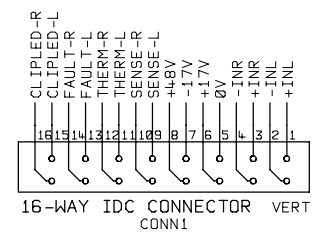
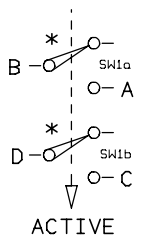
RIGHT INSERT



CHASSIS

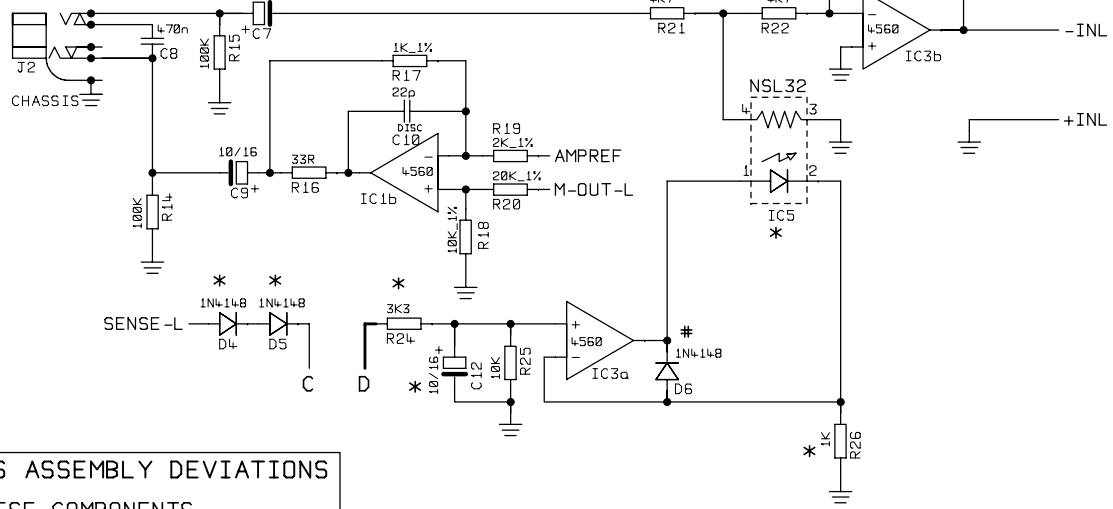


LIMITER

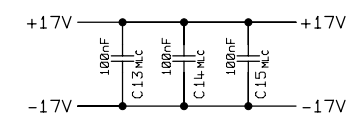
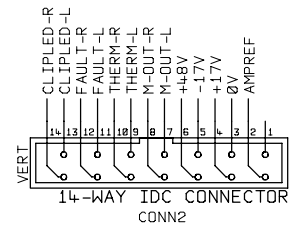


FROM PSU PCB

LEFT INSERT



TO MIXER



POWERHOUSE FOCUS ASSEMBLY DEVIATIONS
 * = DO NOT FIT THESE COMPONENTS
 # = D3 & D6 FIT LINK IN THESE POSITIONS

NOTE :

FOCUS / VISION 700		HORIZON 1200	
R10 R23	51K	68K	

STUDIOMASTER DIAMOND LTD

PRODUCT POWERHOUSE

VERSIONS FOCUS/VISION700 712/HORIZON1200 1216

TITLE INSERT PCB CIRCUIT

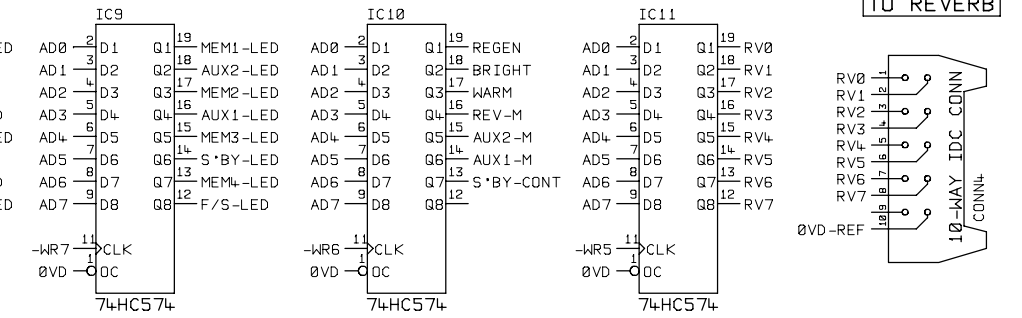
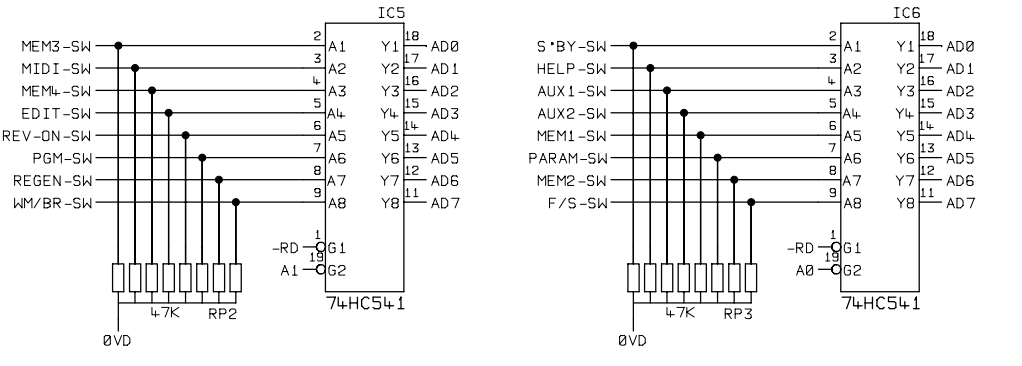
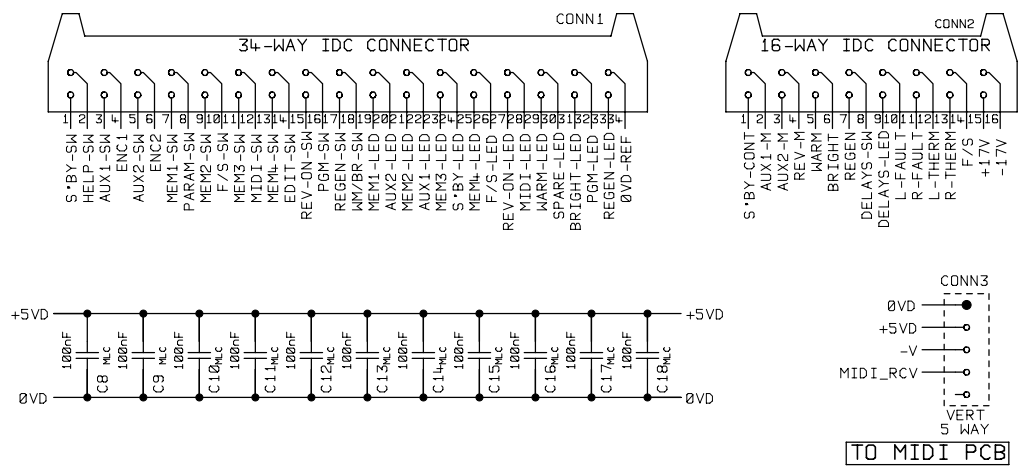
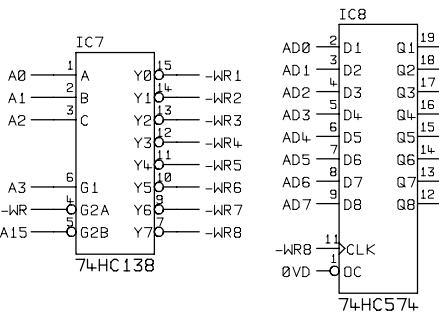
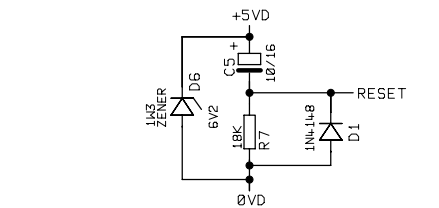
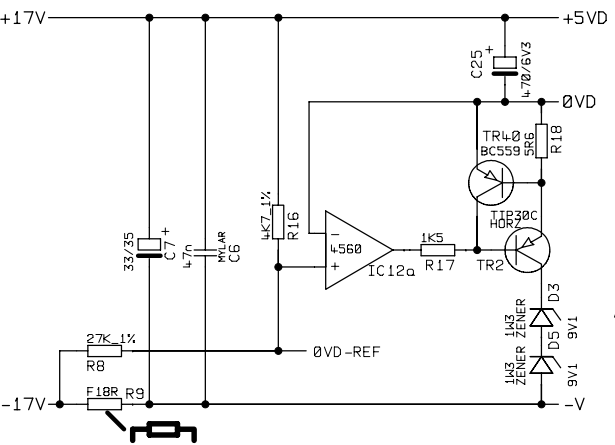
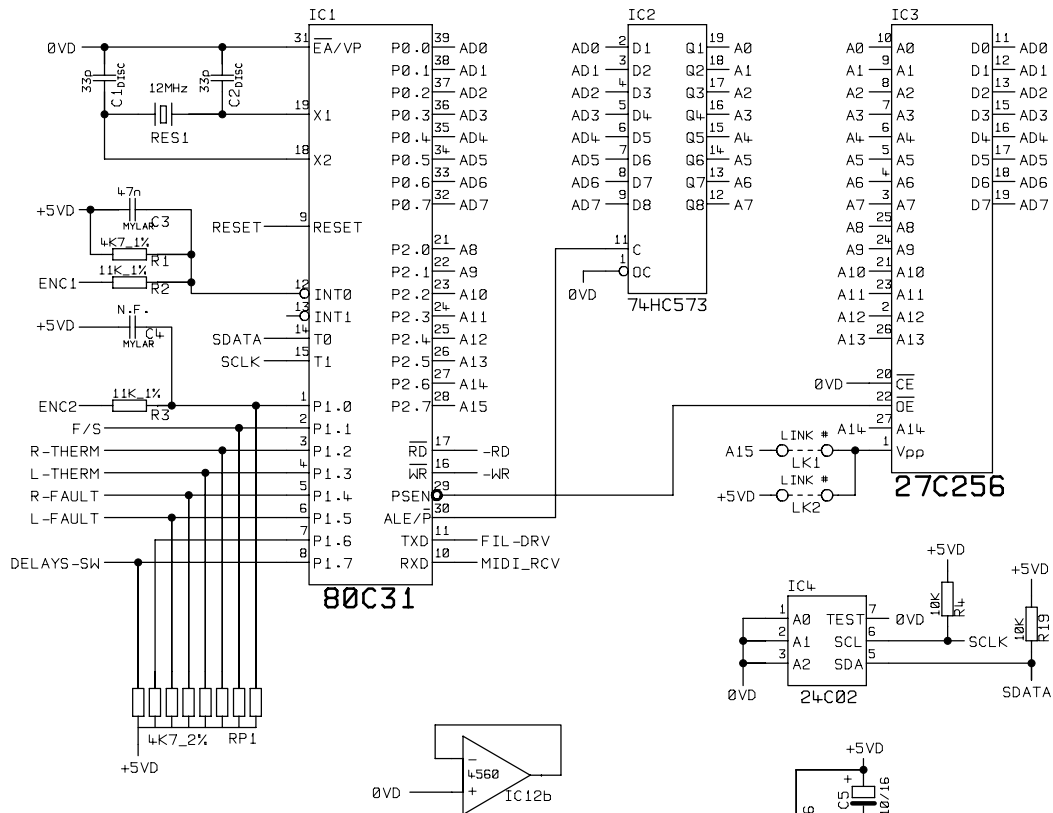
PART 1 OF 1

DRN BY P.A. DATE 12-06-98

FILE NAME **R8C3-2.DGM**

ISSUE No

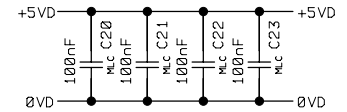
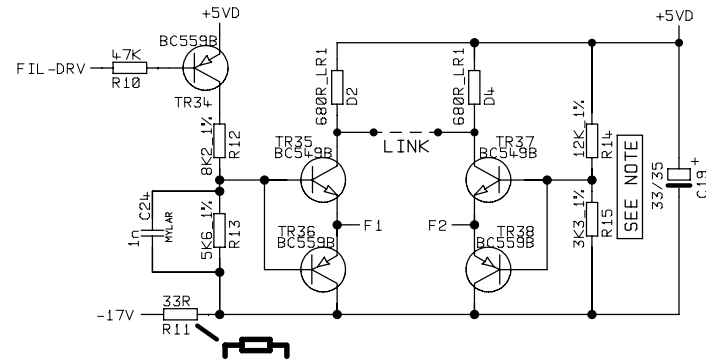
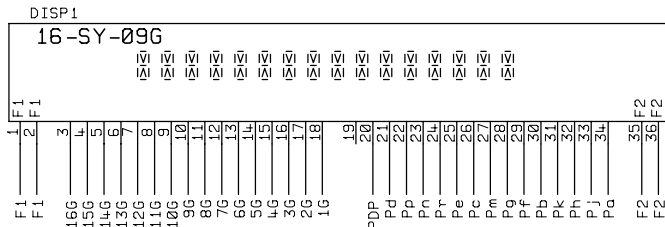
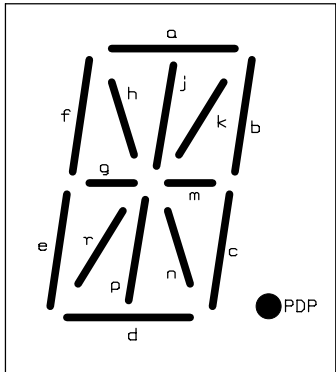
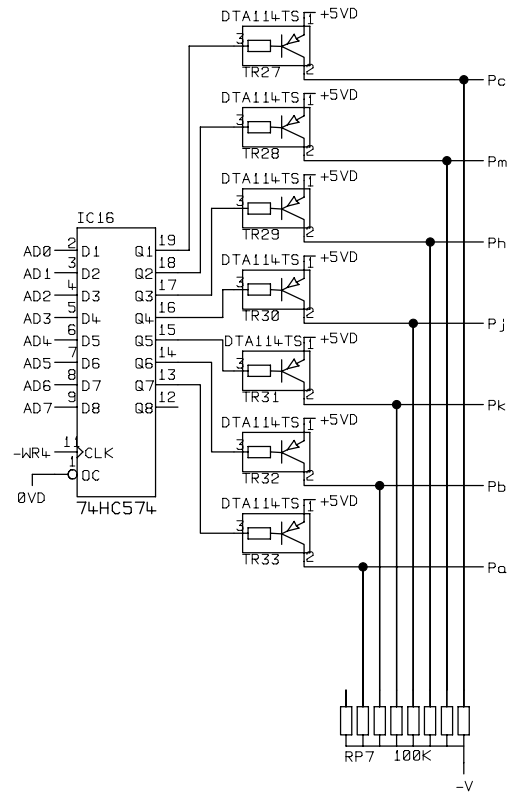
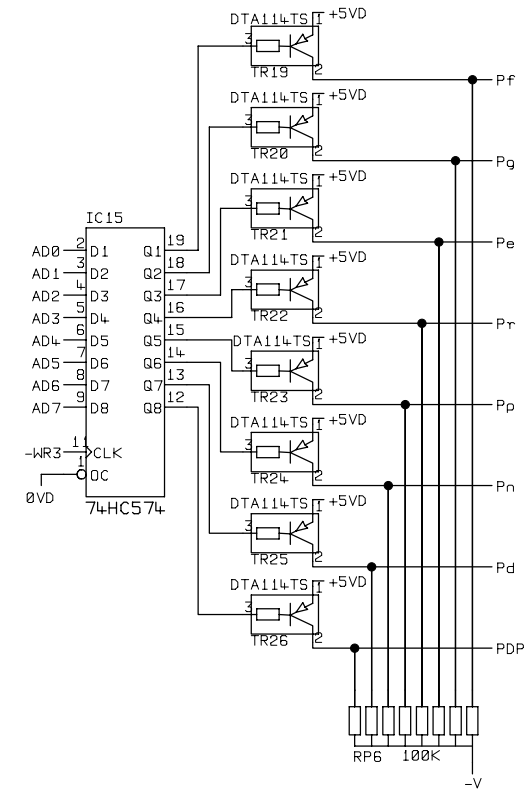
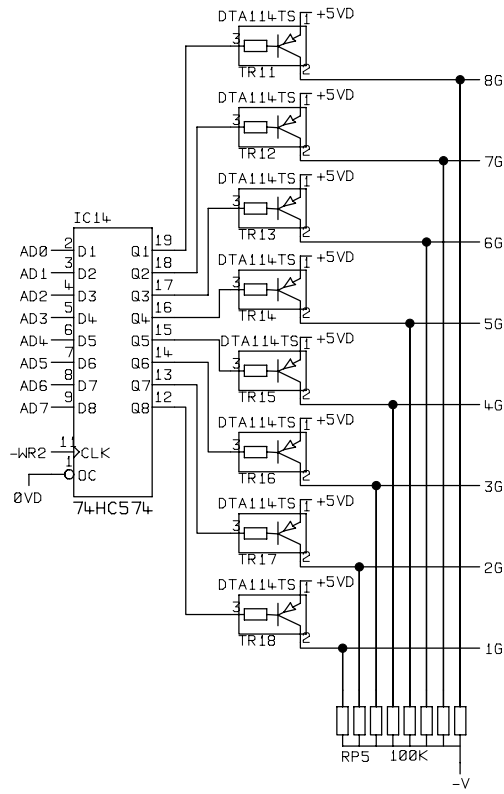
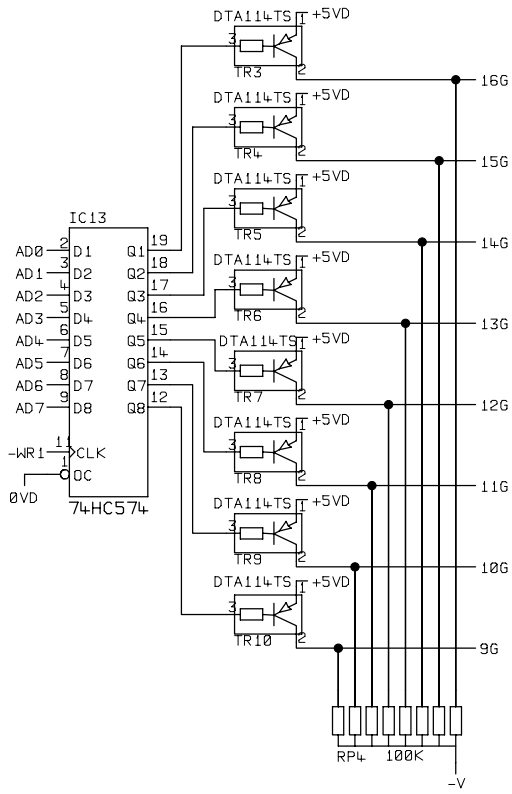
R8C3-2



REV A = SEE R8C7B-2 FOR DETAILS

STUDIOMASTER DIAMOND LTD		TITLE	DISPLAY PROCESSOR PCB		FILE NAME	R8C7A-2.DGM	
PRODUCT	POWERHOUSE VISION / HORIZON		PART 1 OF 2	ISSUE No		R8C7A-2	
VERSIONS	708	712	1208	1216	DRN BY	P.A.	DATE
							14-05-99
					REV A		

= FIT COMPONENT WITH BODY 3MM OFF BOARD

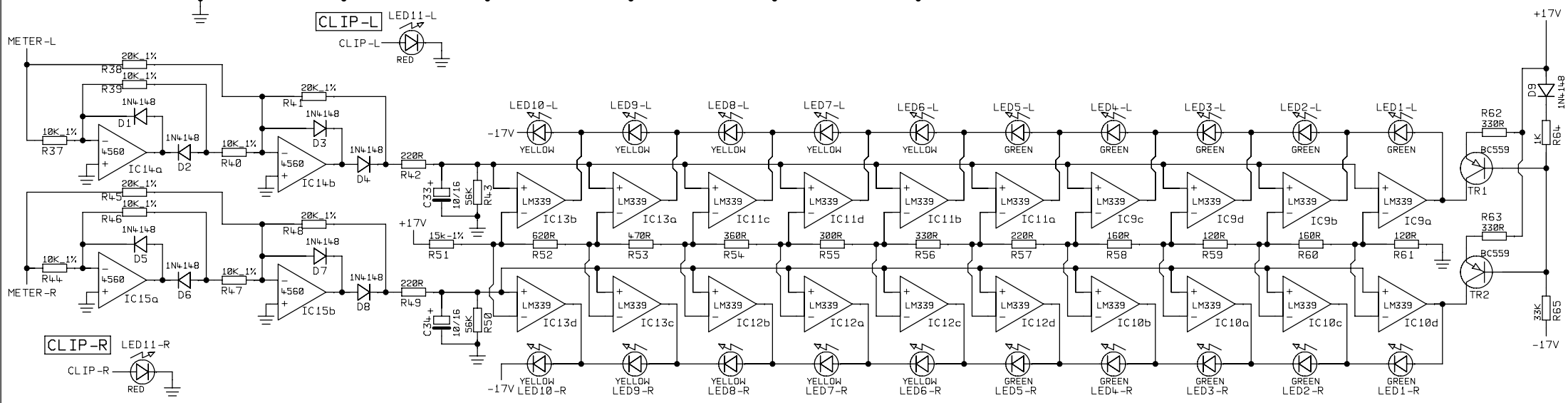
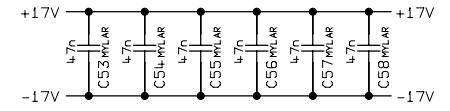
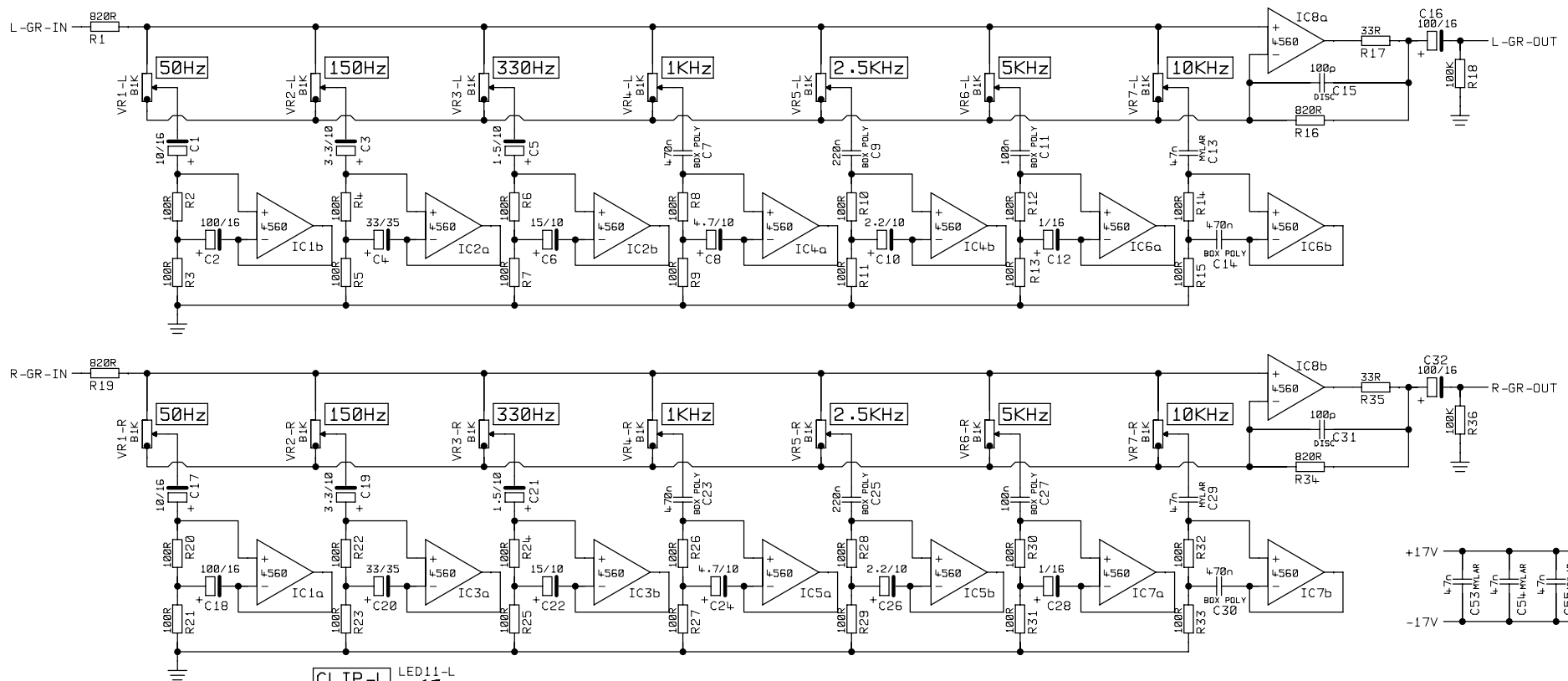


REV A = D2 & D4 CHANGED FROM 1W3 15V ZENER DIODES TO 680R LR1 or 0.5W RATED PART IN 0.25W BODY SIZE
LINK ACROSS D2 & D4

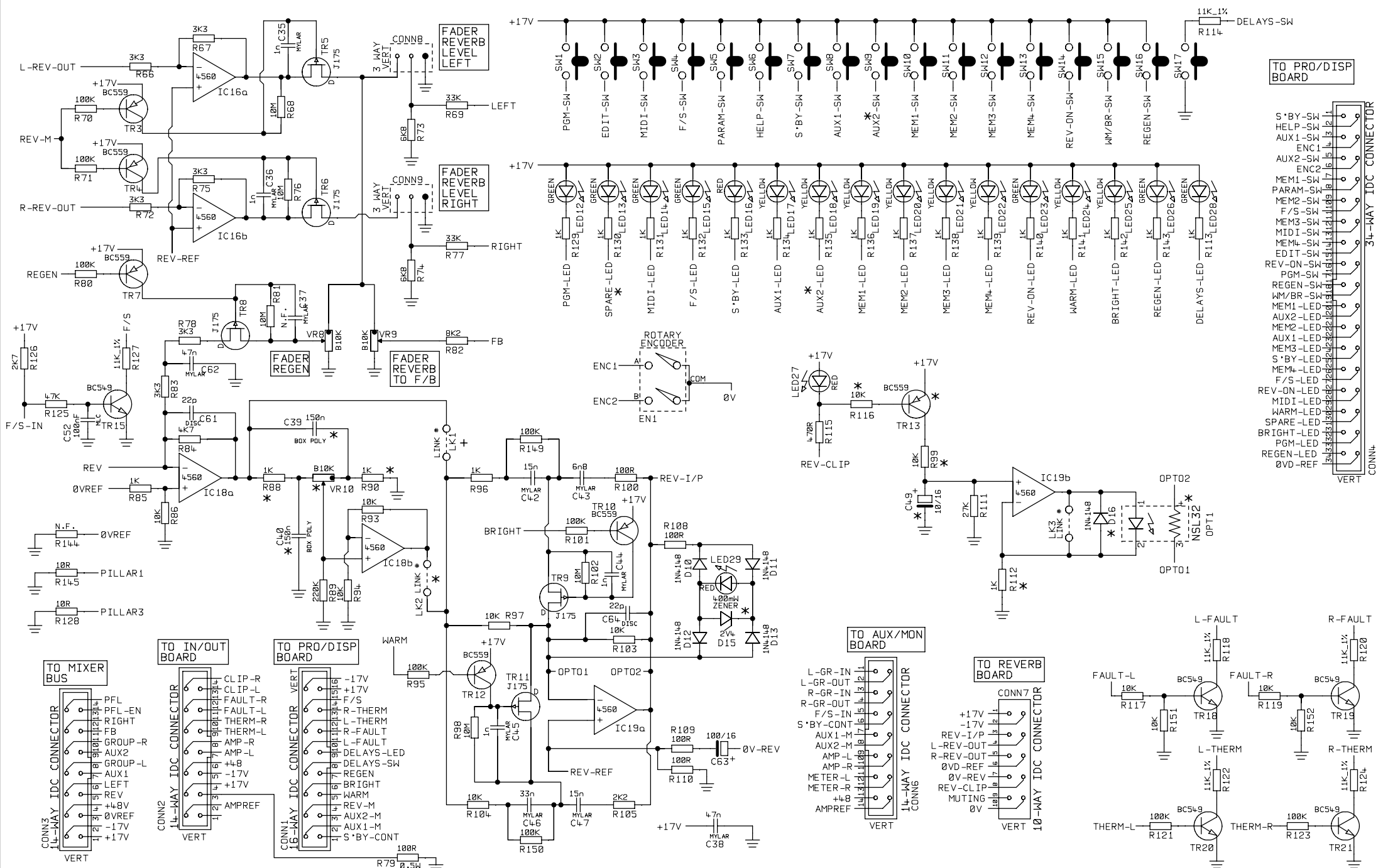
NOTE	BC54-9 AND BC559 TRANSISTOR TYPES	
	B GRADE	C GRADE
R14	12K_1%	16K_1%
R15	3K3_1%	4K3_1%

= FIT COMPONENT WITH BODY 3MM OFF BOARD

STUDIOMASTER DIAMOND LTD		TITLE	DISPLAY PROCESSOR PCB		FILE NAME	R8C7B-2.DGM		
PRODUCT	POWERHOUSE VISION/ HORIZON		PART 2 OF 2		ISSUE No	R8C7B-2		
VERSIONS	708	712	1208	1216	DRN BY	P.A.	DATE	14-05-99
							REV A	

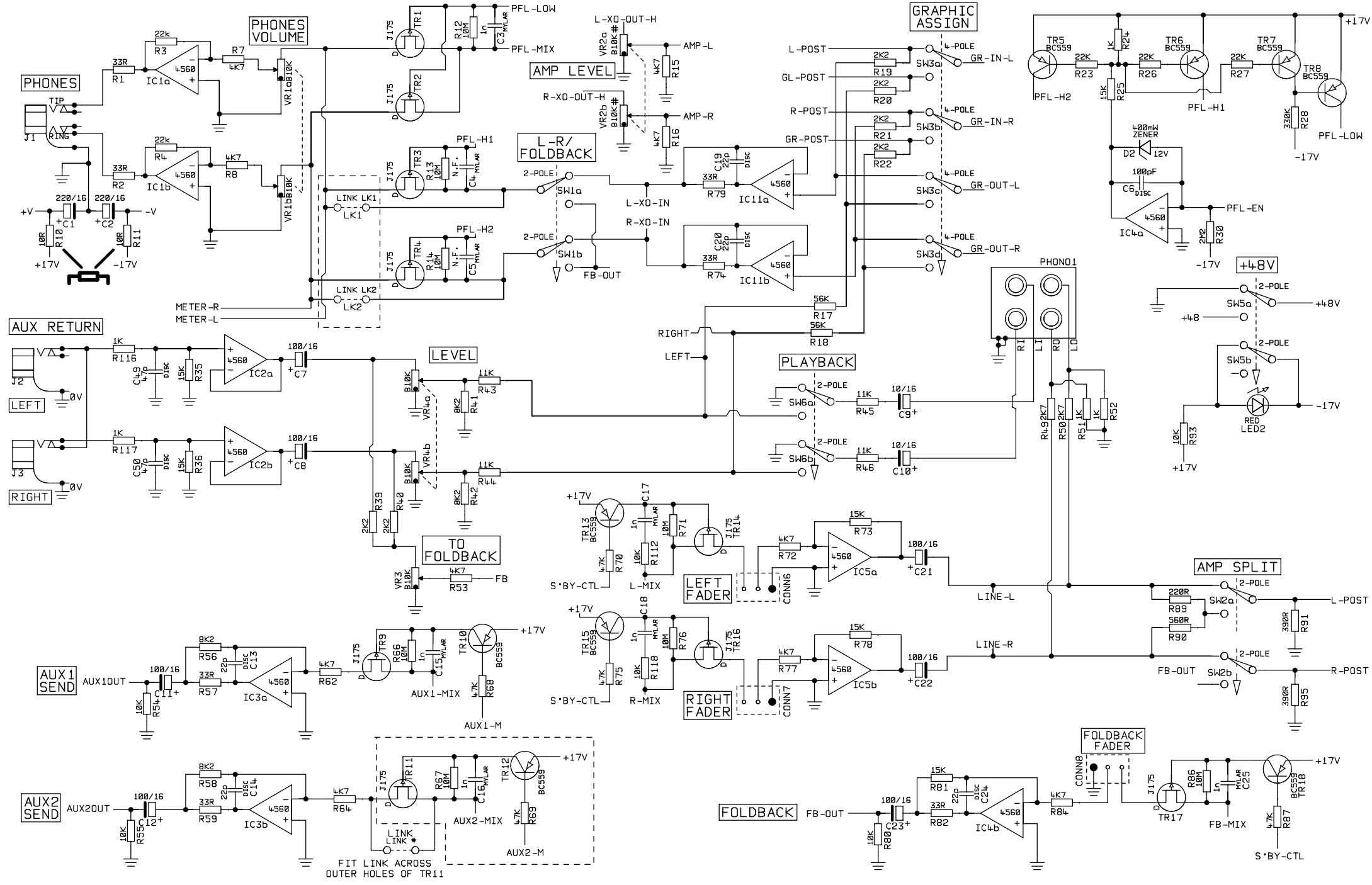


STUDIOMASTER DIAMOND LTD		TITLE CONTROL/GRAPHIC BOARD		FILE NAME R8C8A-3.DGM
PRODUCT	POWERHOUSE VISION / HORIZON	PART 1 OF 2		ISSUE No
VERSIONS	708 712 1208 1216	DRN BY	P.A.	DATE 03-07-97
				R8C8A-3



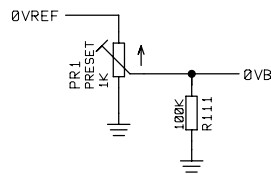
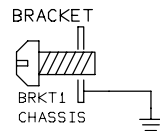
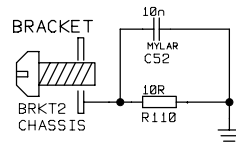
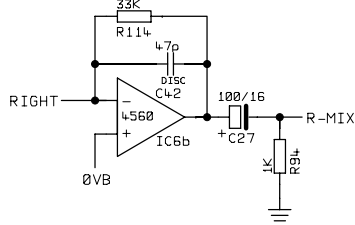
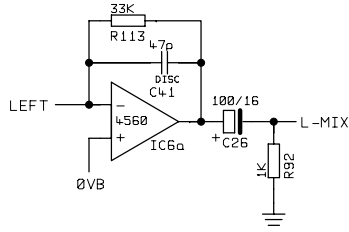
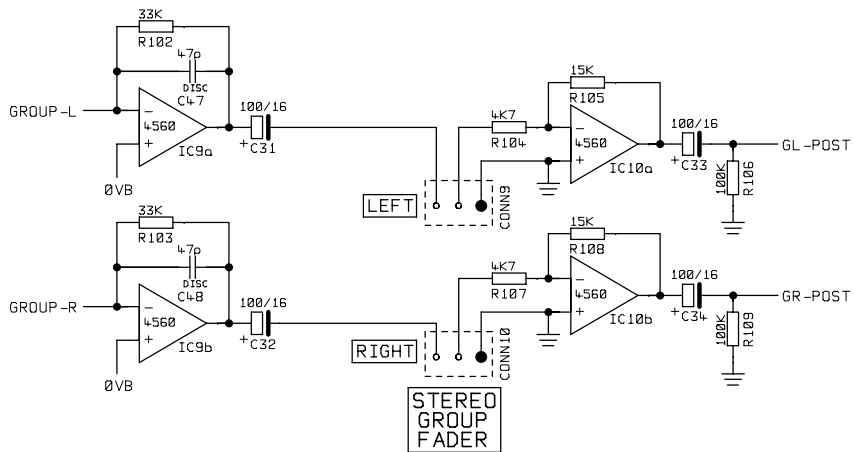
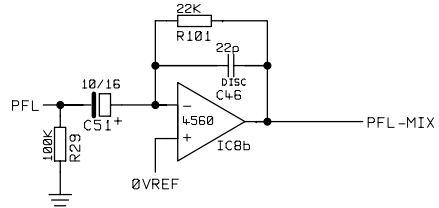
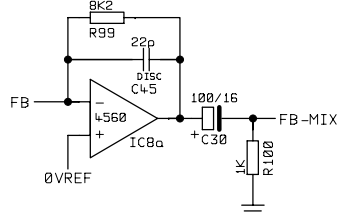
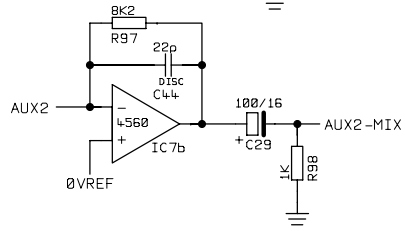
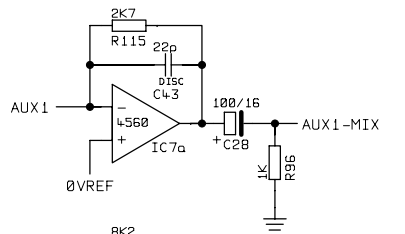
* = NOT FITTED COMPONENTS

STUDIOMASTER DIAMOND LTD		TITLE CONTROL/GRAPHIC BOARD		FILE NAME R8C8B-3.DGM	
PRODUCT	POWERHOUSE VISION / HORIZON	PART 2 OF 2		ISSUE No	
VERSIONS	708 712 1208 1216	DRN BY	P.A.	DATE	15-09-97
				R8C8B-3 REV A	

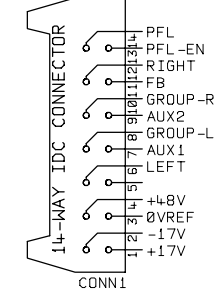


VR2 ON SINGLE VOLTAGE MODELS IS B1K
 NOTE : ITEMS IN DOTTED ARE NOT FITTED
 = FIT COMPONENT WITH BODY 3MM OFF BOARD

STUDIOMASTER DIAMOND LTD		TITLE	AUX BOARD		FILE NAME
PRODUCT	POWERHOUSE VISION / HORIZON	PART 1 OF 2		R8C9A-2.DGM	
VERSIONS	708 712 1208 1216	DRN BY	P.A.	DATE	04-12-97
					ISSUE No
					R8C9A-2
					REV2

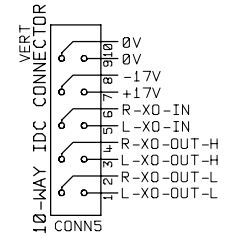


TO MIXER BUS

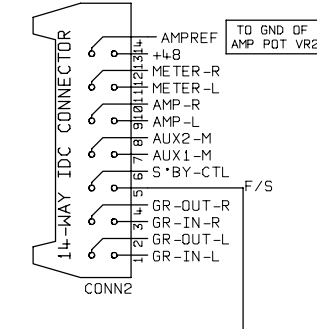


OPTIONAL CROSSOVER BOARD CONNECTIONS

TO XOVER BOARD

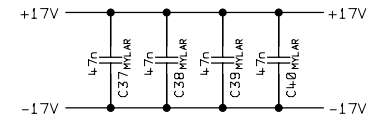
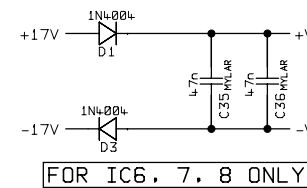
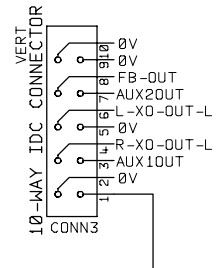


TO CONTROL /GRAPHIC



REAR PANEL CONNECTOR BOARD

TO CONNECTOR BOARD



STUDIOMASTER DIAMOND LTD

TITLE AUX BOARD

FILE NAME R8C9B-2.DGM

PRODUCT POWERHOUSE VISION/ HORIZON

PART 2 OF 2

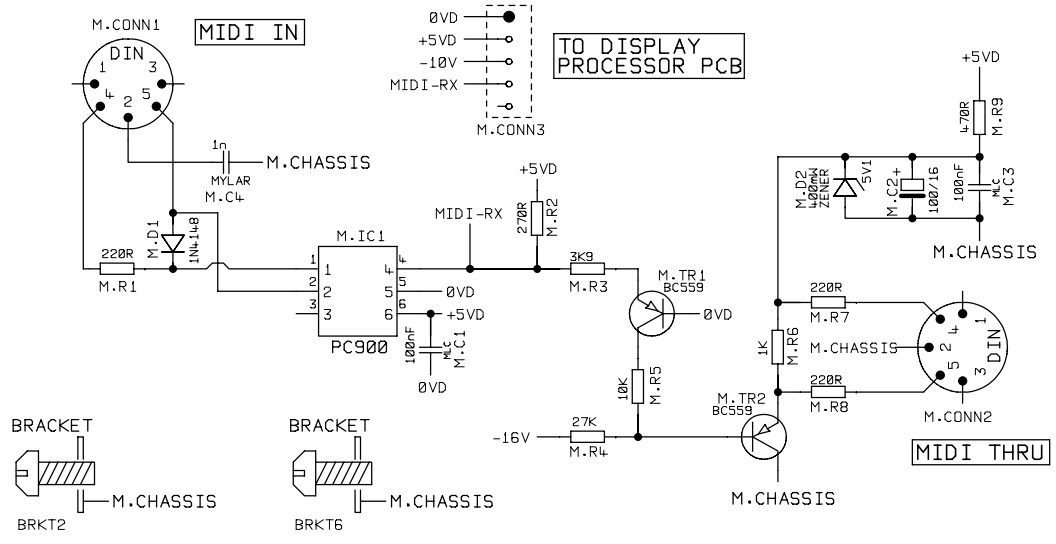
ISSUE No

VERSIONS 708 712 1208 1216

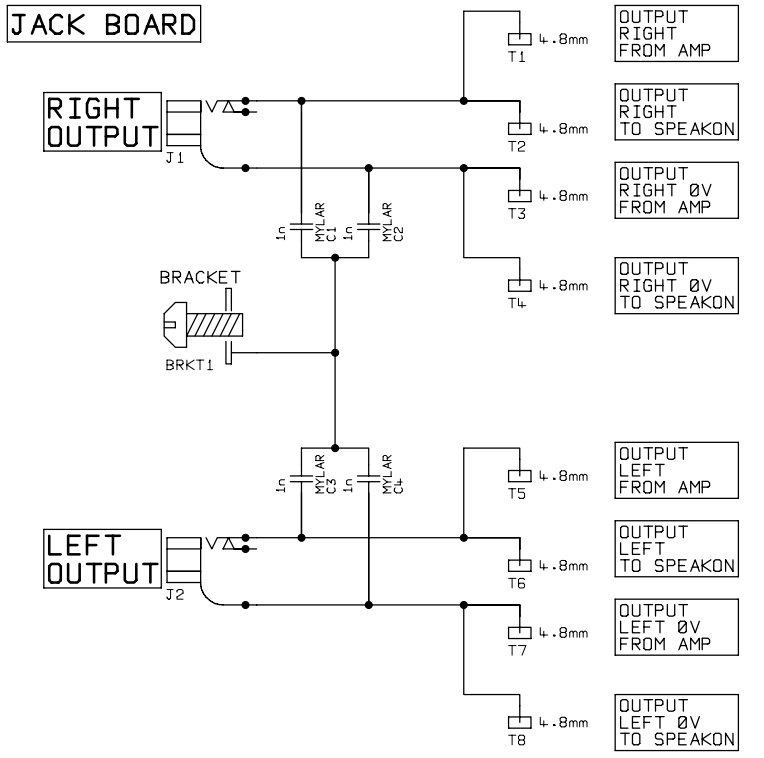
DRN BY P.A. DATE 07-10-97

R8C9B-2 REV1

NOT FITTED ON FOCUS VERSIONS



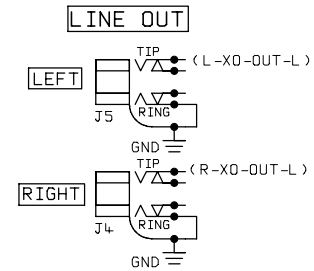
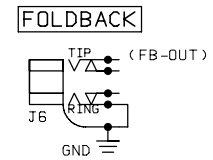
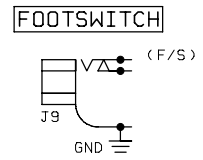
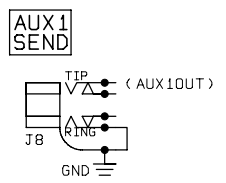
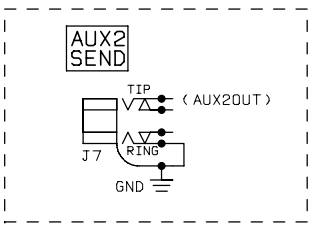
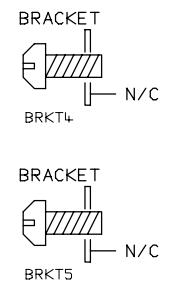
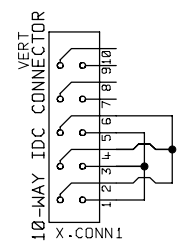
NOT FITTED ON HORIZON 1208/1216 VERSIONS



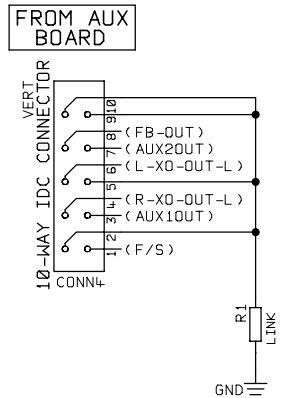
NOT FITTED ON FOCUS VERSIONS

OPTIONAL CROSSOVER BOARD CONNECTIONS

STANDARD BY-PASS BOARD

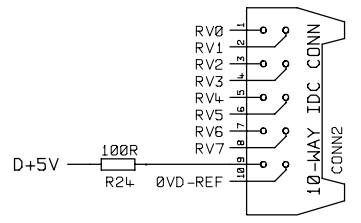
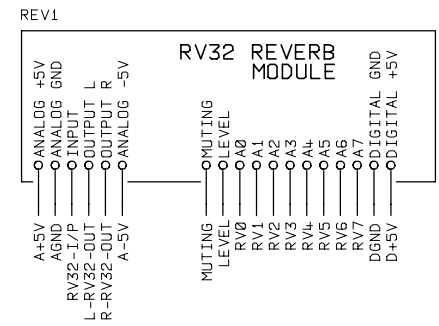
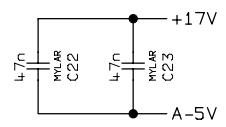
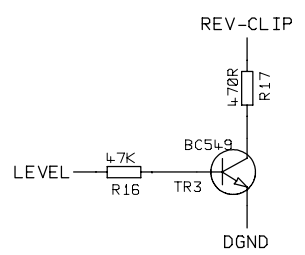
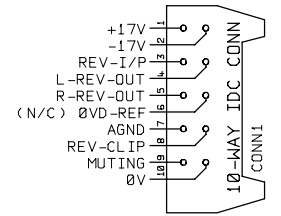
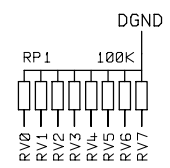
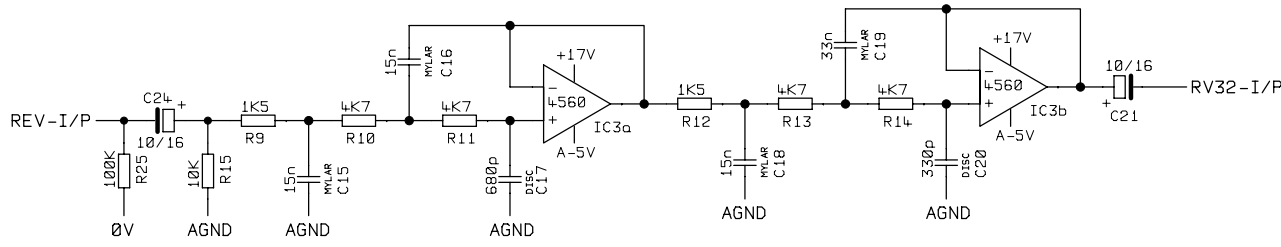
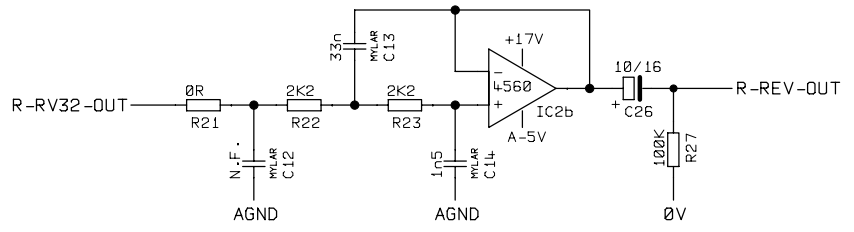
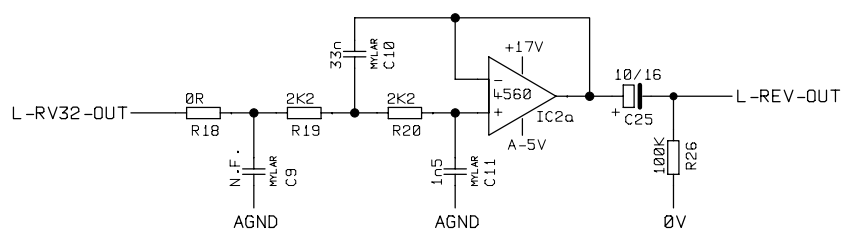
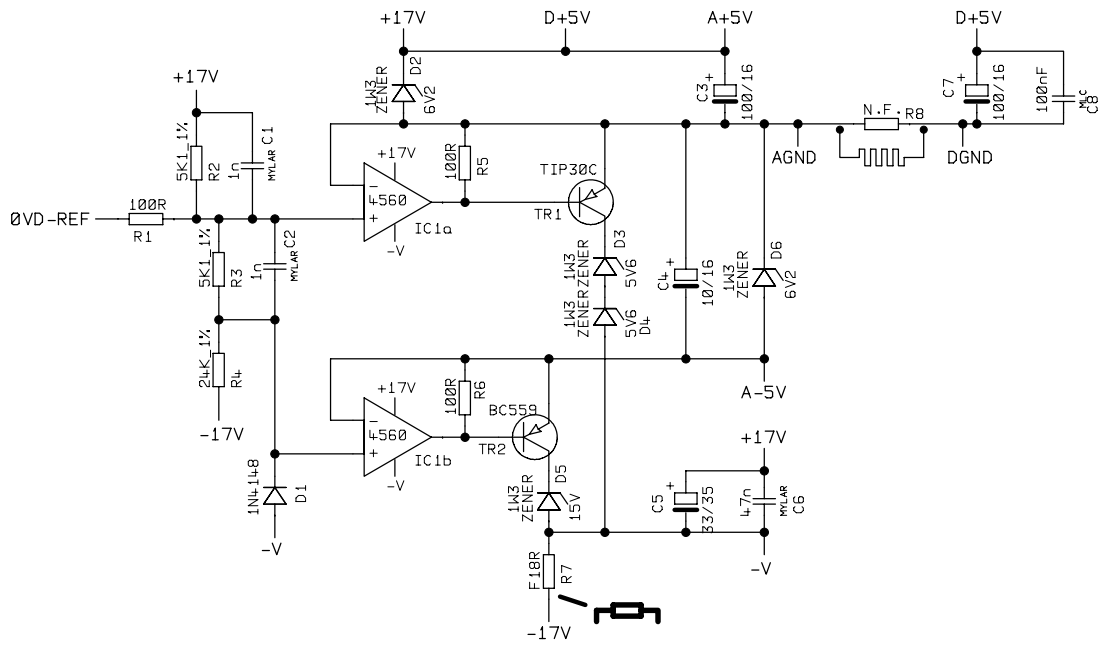


REAR PANEL CONNECTOR BOARD



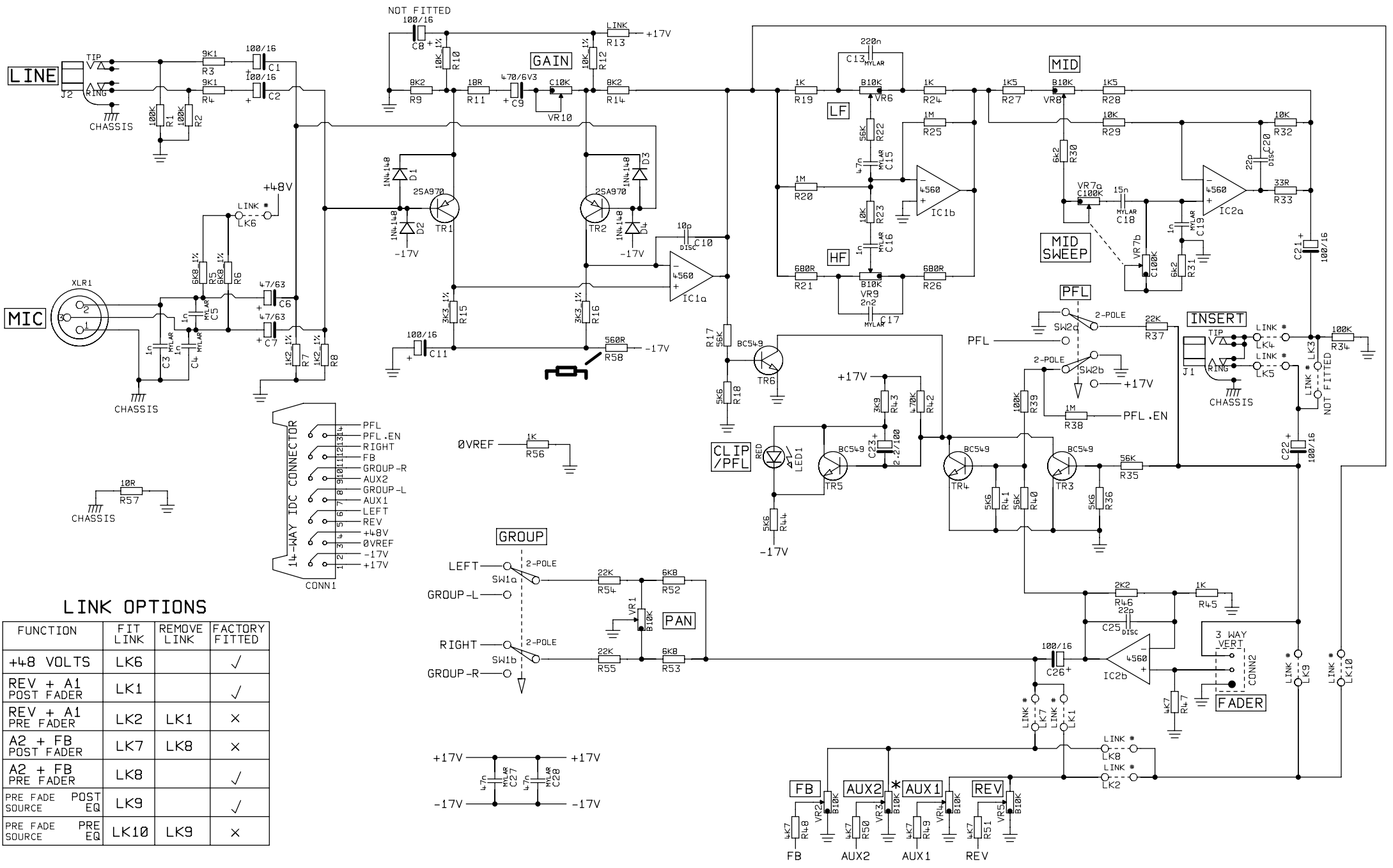
NOTE: CIRCUIT IN DOTTED LINES HORIZON 1208 / 1216 VERSIONS ONLY

STUDIOMASTER DIAMOND LTD		TITLE	MIDI/XOVER/AUX CONN BOARD / JACK OUTPUT BOARD		FILE NAME	R8C10-2.DGM
PRODUCT	POWERHOUSE	PART 1 OF 1			ISSUE No	R8C10-2
VERSIONS	FOCUS/VISION708 712/HORIZON1208 1216	DRN BY	P.A.	DATE	08-04-98	REV A



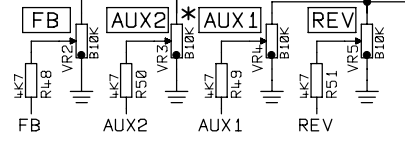
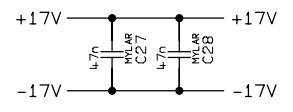
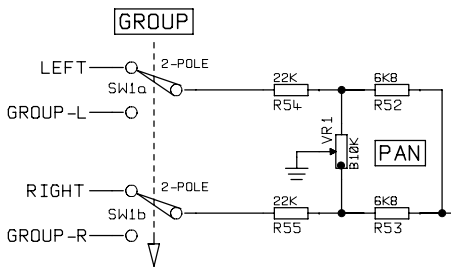
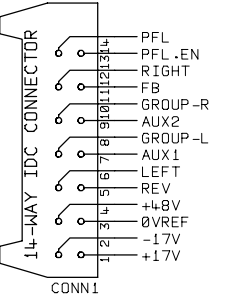
= FIT COMPONENT WITH BODY 3MM OFF BOARD

STUDIOMASTER DIAMOND LTD		TITLE	REVERB INTERFACE PCB		FILE NAME	R8C18-3.DGM	
PRODUCT	POWERHOUSE VISION/ HORIZON	PART 1 OF 1		ISSUE No		R8C18-3	
VERSIONS	708 712 1208 1216	DRN BY	P.A.	DATE	01-07-97		



LINK OPTIONS

FUNCTION	FIT LINK	REMOVE LINK	FACTORY FITTED
+48 VOLTS	LK6		✓
REV + A1 POST FADER	LK1		✓
REV + A1 PRE FADER	LK2	LK1	✗
A2 + FB POST FADER	LK7	LK8	✗
A2 + FB PRE FADER	LK8		✓
PRE FADE POST SOURCE EQ	LK9		✓
PRE FADE PRE SOURCE EQ	LK10	LK9	✗



NOTE : COMPONENTS MARKED * = FITTED ON HORIZON 1208 / 1216 ONLY

STUDIOMASTER DIAMOND LTD		TITLE	MONO INPUT CIRCUIT		FILE NAME	R1C4-4.DGM
PRODUCT	POWERHOUSE VISION / HORIZON		PART 1 OF 1		ISSUE No	
VERSIONS	708	712	1208	1216	DRN BY	P.A.
					DATE	22-07-97
						R1C4-4

= FIT COMPONENT WITH BODY 3MM OFF BOARD