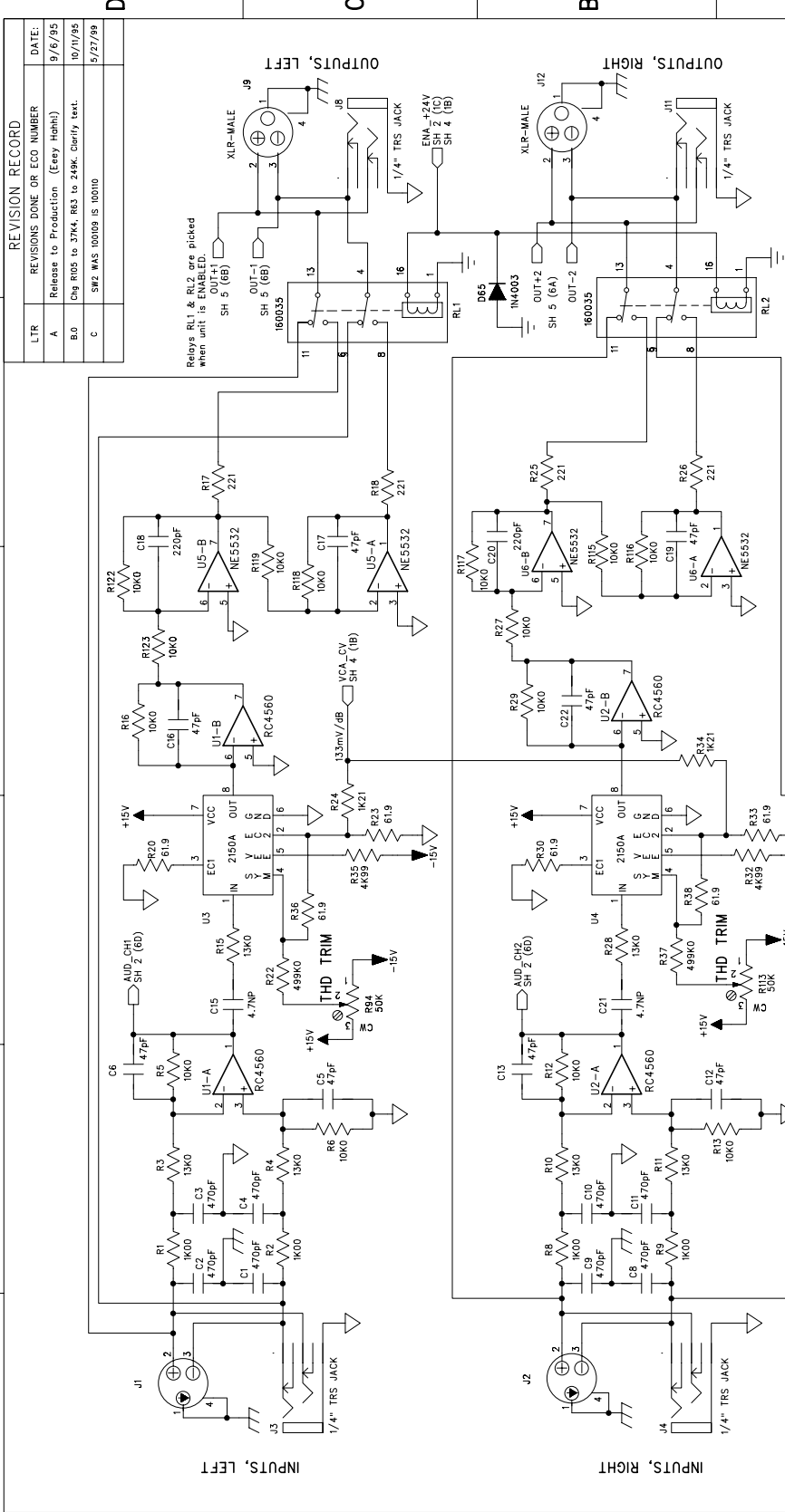


6 5 4 3 2 1



REVISION RECORD	
LTR	REVISIONS DONE OR ECO NUMBER
A	Release to Production. (Erey Hahh)
B.0	Chg R105 to 37M4, R63 to 249K, Clarify text.
C	SW2 WAS 100109 IS 100110

DATE: 9/6/95
10/11/95
5/27/99

Relays RL1 & RL2 are picked when unit is ENABLED. OUT+1 OUT+1 SH 5 (6B)

A

COMPANY: SYMETRIX INC.
14926 35th Avenue West
Lynnwood, WA 98037-2303 USA

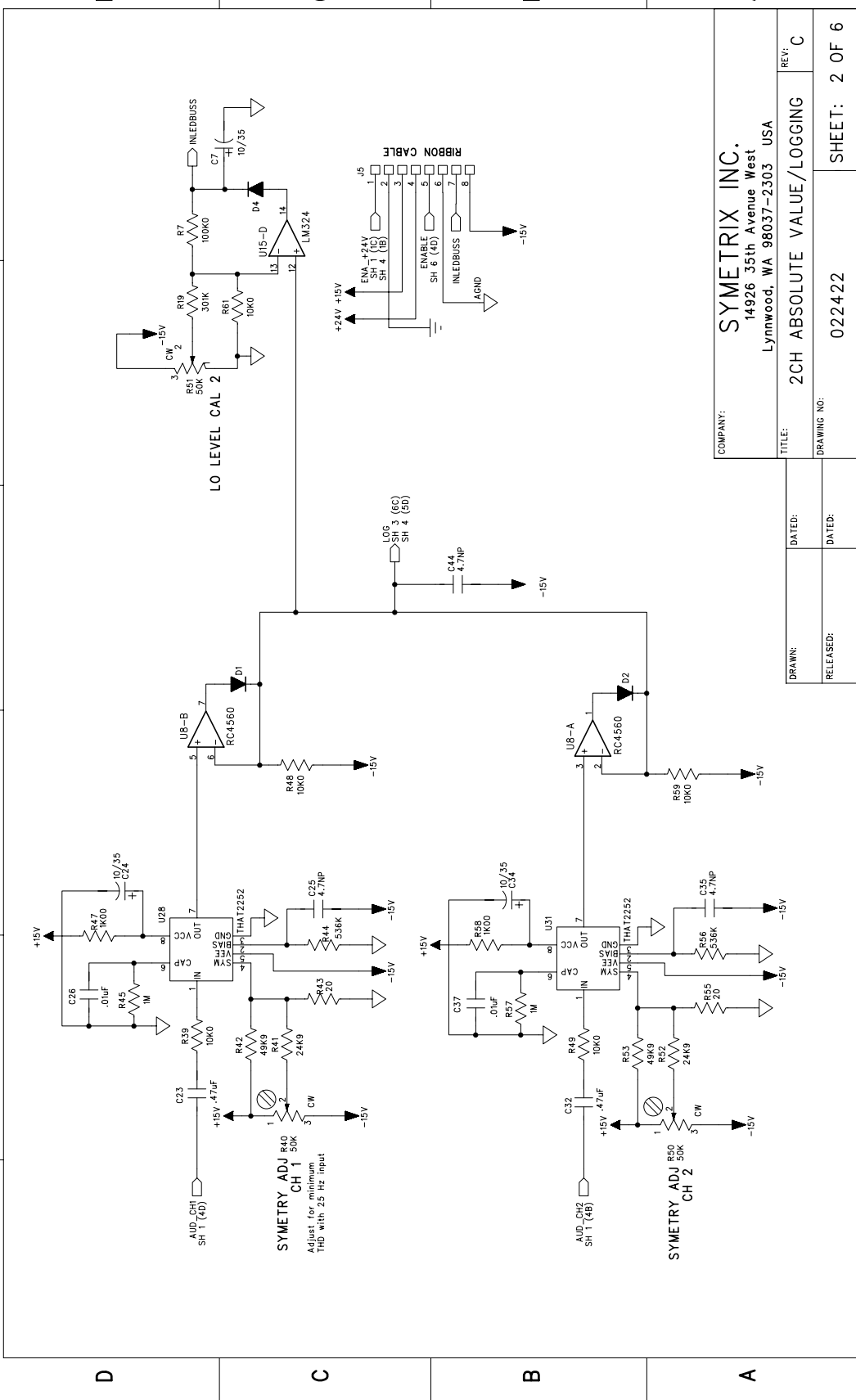
TITLE: 422 INPUT/OUTPUT
DRAWING NO: 022422

DATE: 10/18/94
REV: C

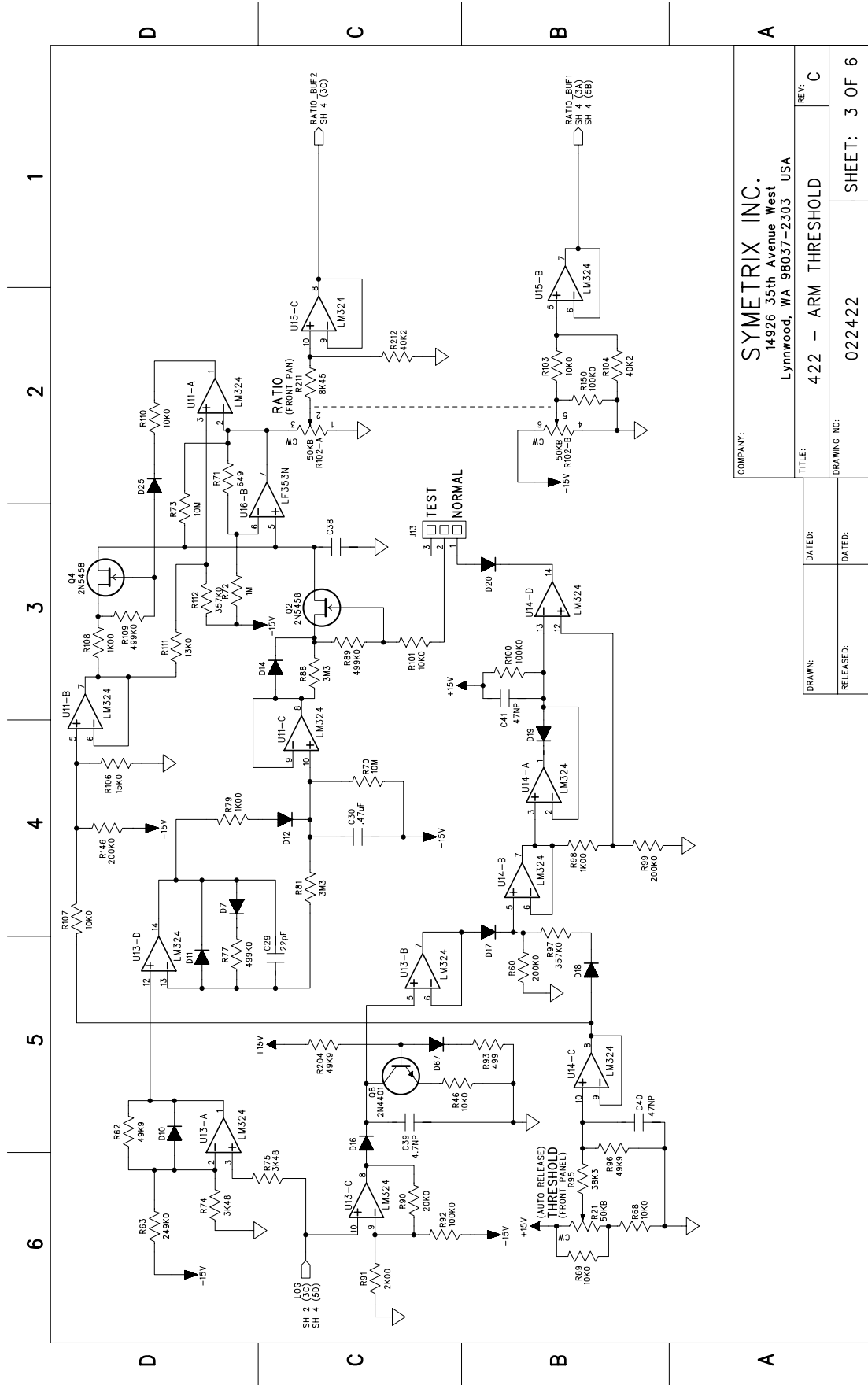
RELEASED: SHEET: 1 OF 6

NOTE:
1. All caps in uF, unless otherwise noted.
2. All resistors are 1% unless otherwise noted.
3. All diodes are 1N4148 unless otherwise noted.
4. All potentiometers with "screw adjust" graphic are trimmers.

6 5 4 3 2 1

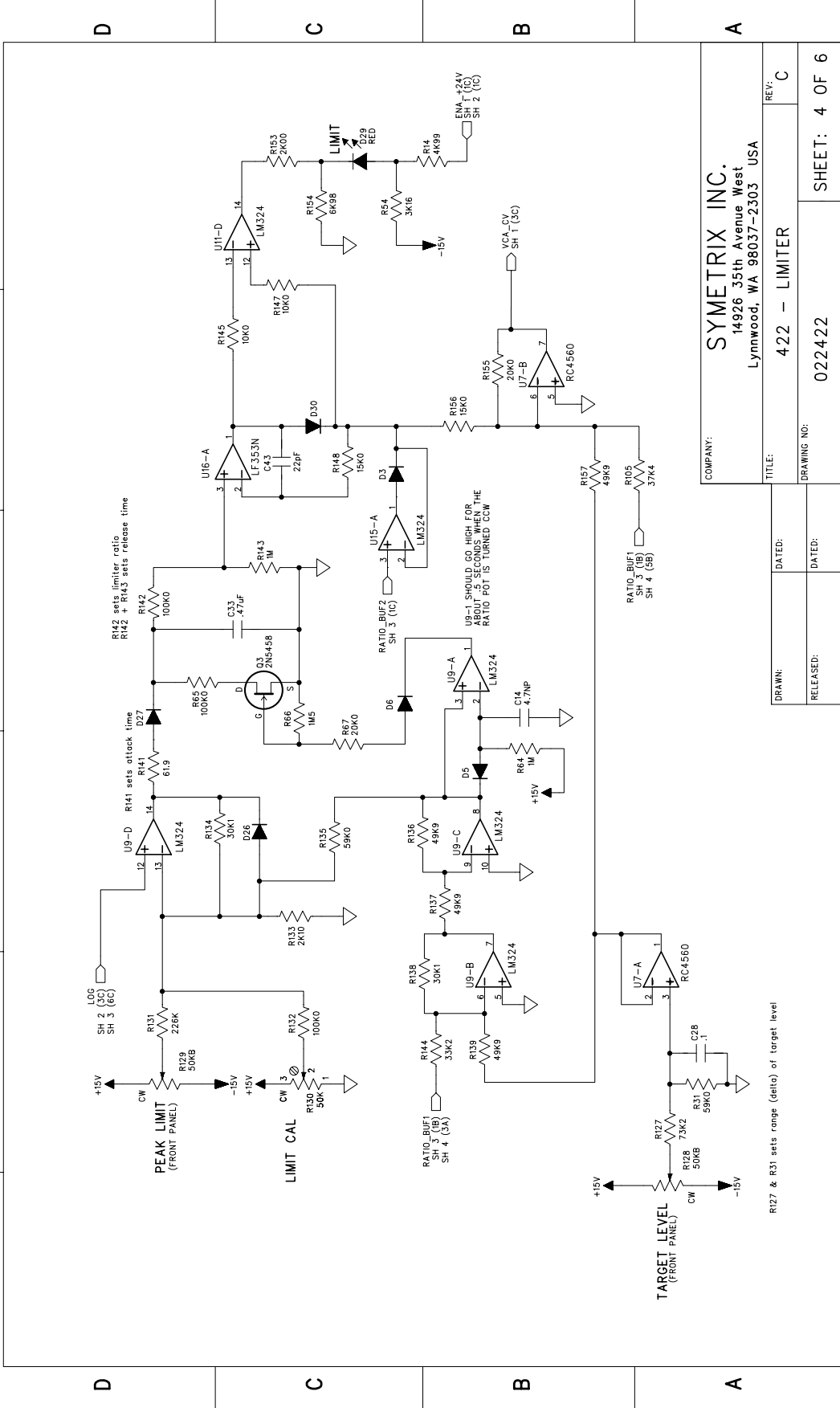


COMPANY:		SYMETRIX INC.	
		14926 35th Avenue West	
		Lynnwood, WA 98037-2303 USA	
TITLE:		2CH ABSOLUTE VALUE/LOGGING	
DRAWING NO.:		022422	
REV.:		C	
DRAWN:	DATED:	RELEASED:	DATED:
SHEET: 2 OF 6			



COMPANY:		SYMETRIX INC.	
		14926 35th Avenue West	
		Lynnwood, WA 98037-2303 USA	
TITLE:		422 - ARM THRESHOLD	REV: C
DRAWING NO.:		022422	SHEET: 3 OF 6
DRAWN:	DATED:		
RELEASED:	DATED:		

6 5 4 3 2 1



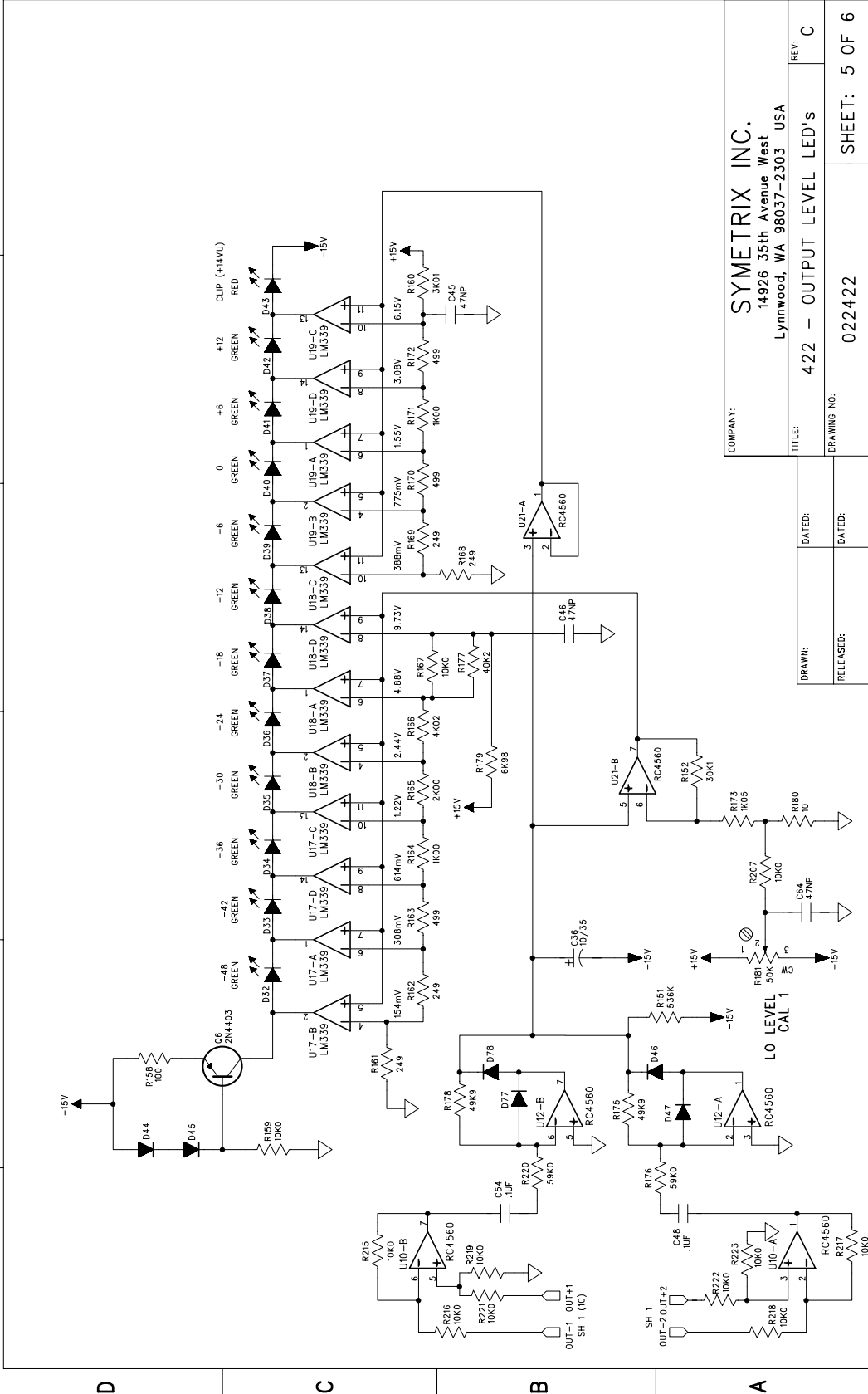
COMPANY: SYMETRIX INC.
 14926 35th Avenue West
 Lynnwood, WA 98037-2303 USA

TITLE: 422 - LIMITER
 REV: C

DRAWN: DATED: DRAWING NO: 022422
 RELEASED: DATED: SHEET: 4 OF 6

6 5 4 3 2 1

D C B A

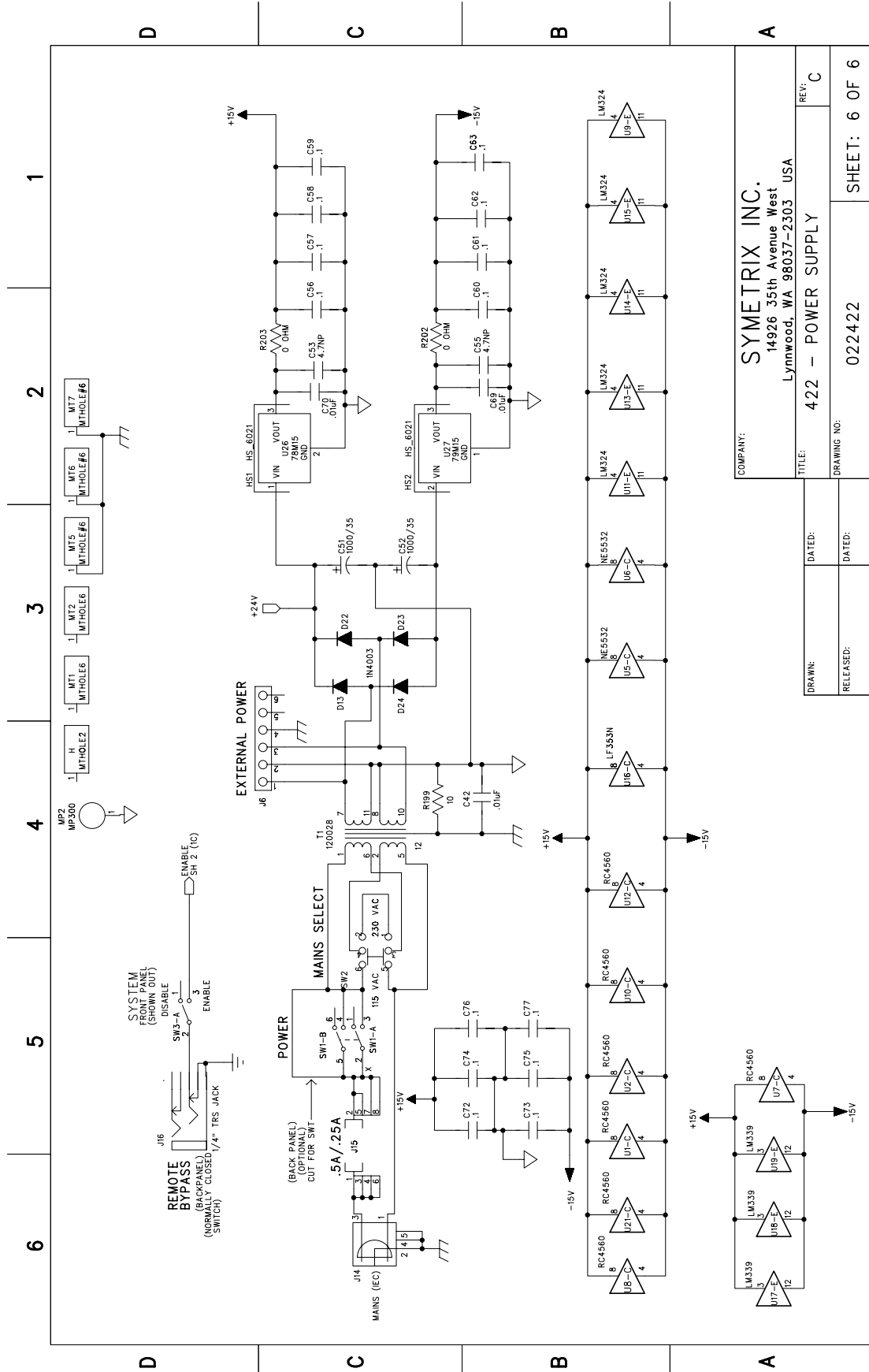


COMPANY: SYMETRIX INC.
 14926 35th Avenue West
 Lynnwood, WA 98037-2303 USA

TITLE: 422 - OUTPUT LEVEL LED'S
 REV: C

DRAWN: DATED:
 RELEASED: DATED:

DRAWING NO: 022422
 SHEET: 5 OF 6



COMPANY:		SYMETRIX INC.	
		14926 35th Avenue West	
		Lynnwood, WA 98037-2303 USA	
TITLE:	422 - POWER SUPPLY	DRAWING NO.:	022422
DATE:		DATE:	
RELEASED:		REV.:	C
		SHEET: 6 OF 6	