

6

5

4

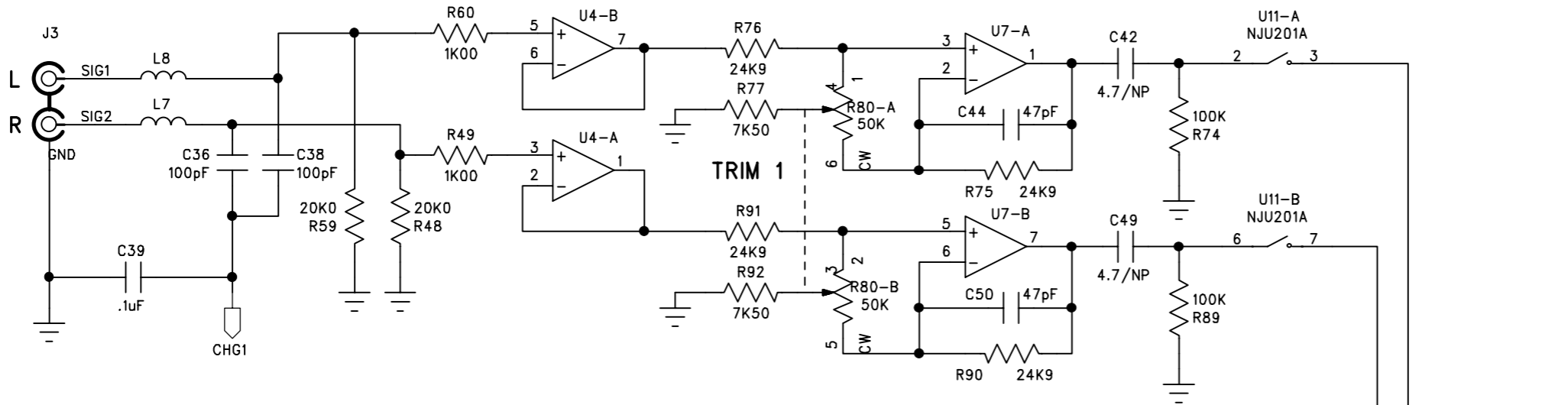
3

2

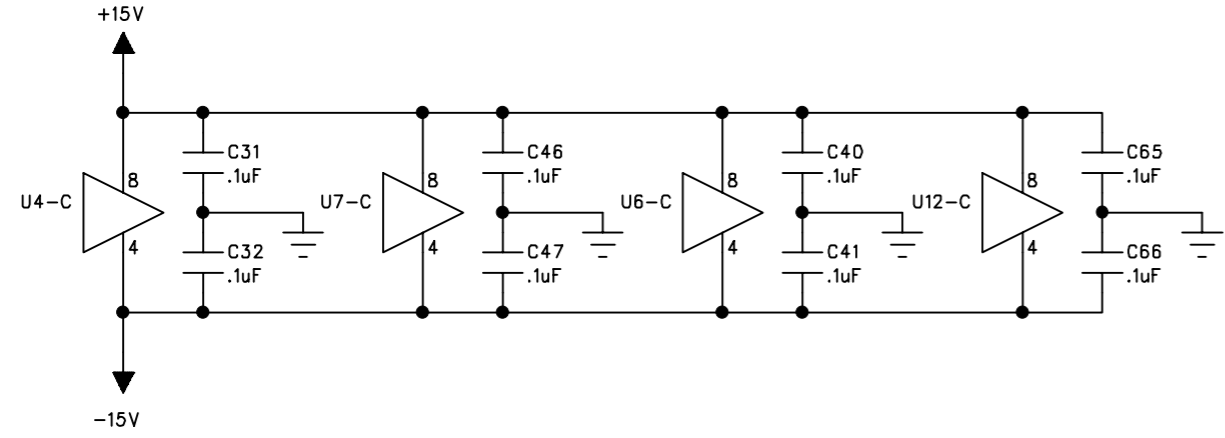
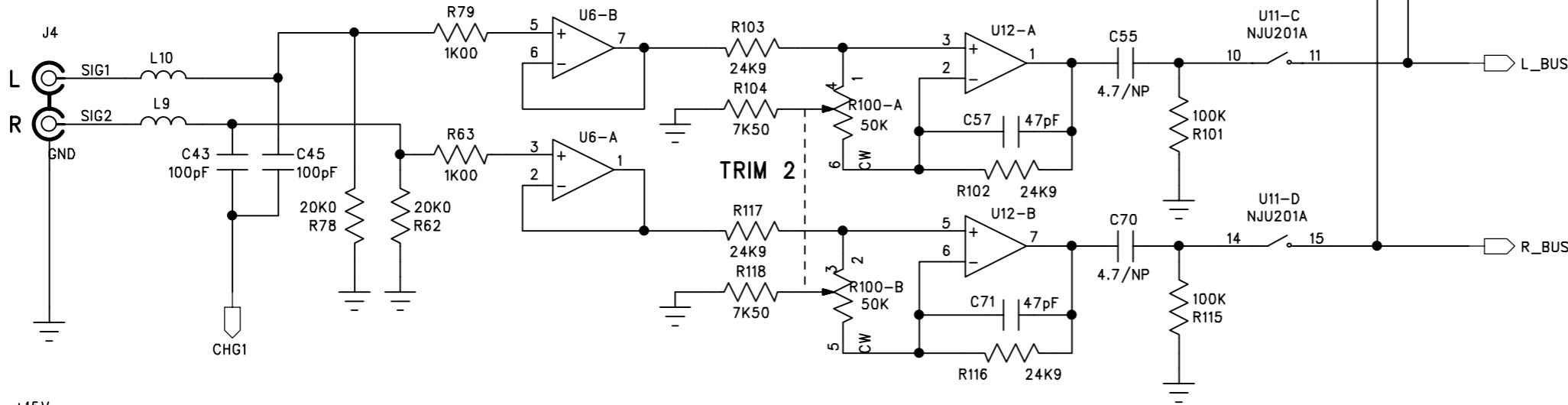
1

REVISION RECORD		
REV	REVISIONS DONE OR ECO NUMBER:	DATE:
A.01	R204 ( SH.7) WAS 2K00 IS 402	6-10-99

PROGRAM INPUT 1



PROGRAM INPUT 2



PROGRAM INPUTS 1 & 2

COMPANY:		<b>SYMETRIX INC.</b>	
		14926 35th Avenue West Lynnwood, WA 98037-2303 USA	
TITLE:		440 PREAMP & DUCKER	REV: A.01
DRAWING NO:		SHEET: 1 OF 10	

**NOTE:**  
All unmarked opamps are NJM2068

DRAWN: <b>ba</b>	DATED: <b>1-11-99</b>
RELEASED:	DATED:

6

5

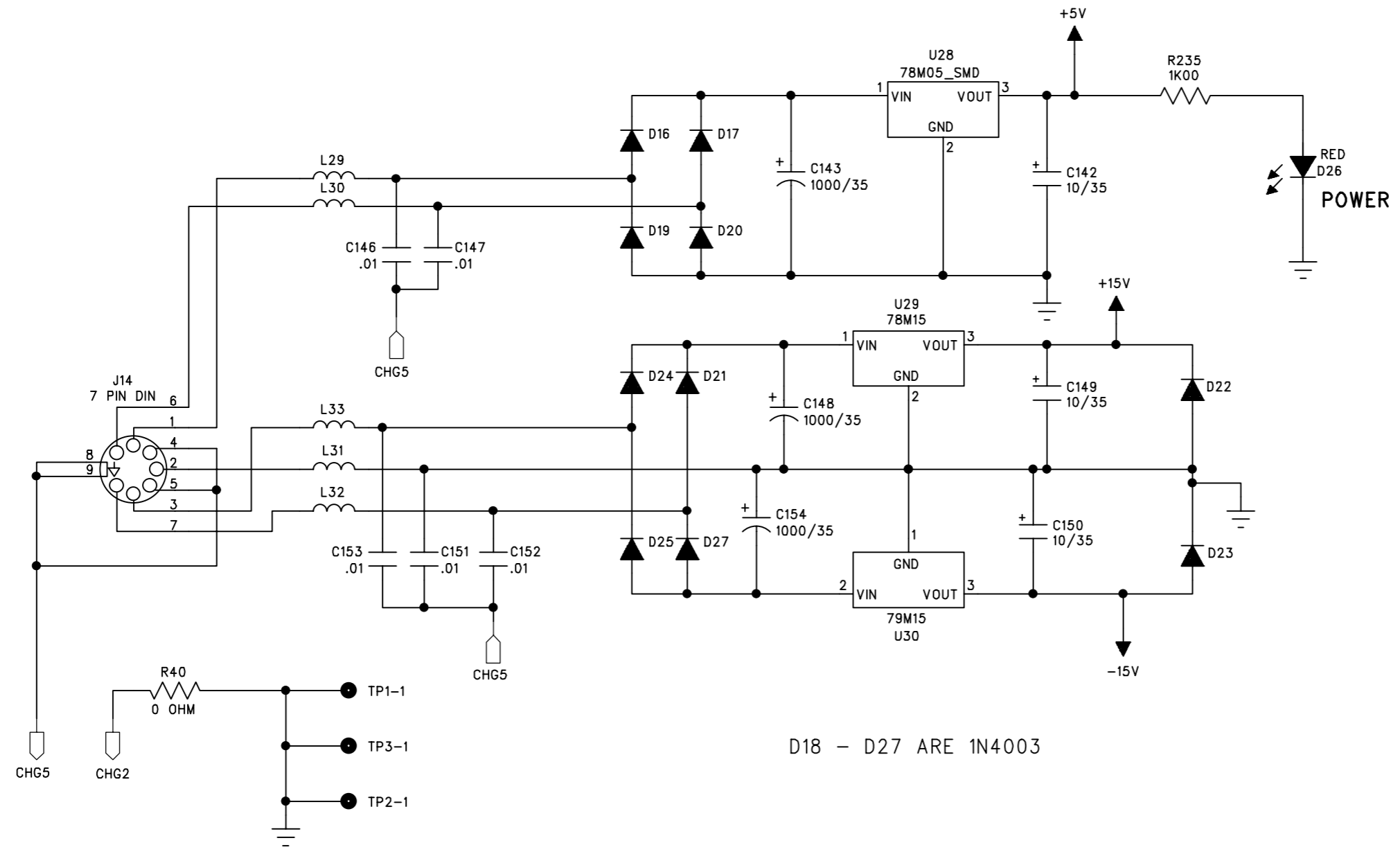
4

3

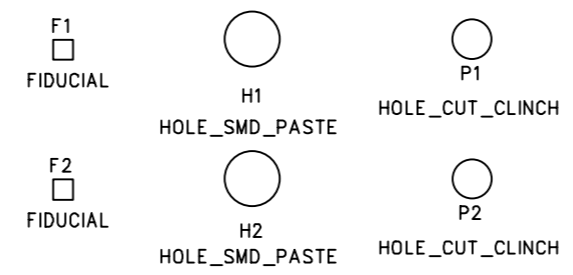
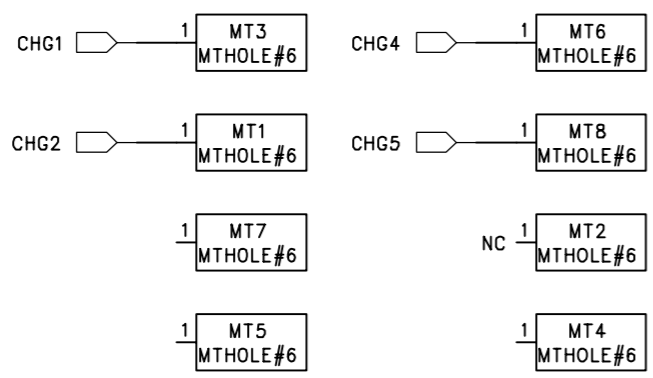
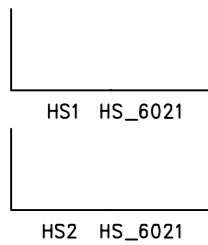
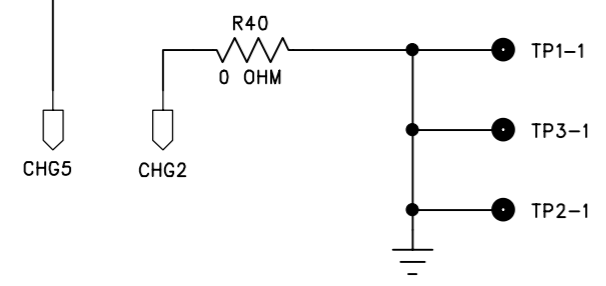
2

1

SEE SHEET 1 FOR REVISIONS



D18 - D27 ARE 1N4003



### POWER SUPPLY & APPENDIX

COMPANY:		<b>SYMETRIX INC.</b>	
		14926 35th Avenue West Lynnwood, WA 98037-2303 USA	
TITLE:		REV: A.01	
DRAWING NO:		SHEET: 10 OF 10	

6

5

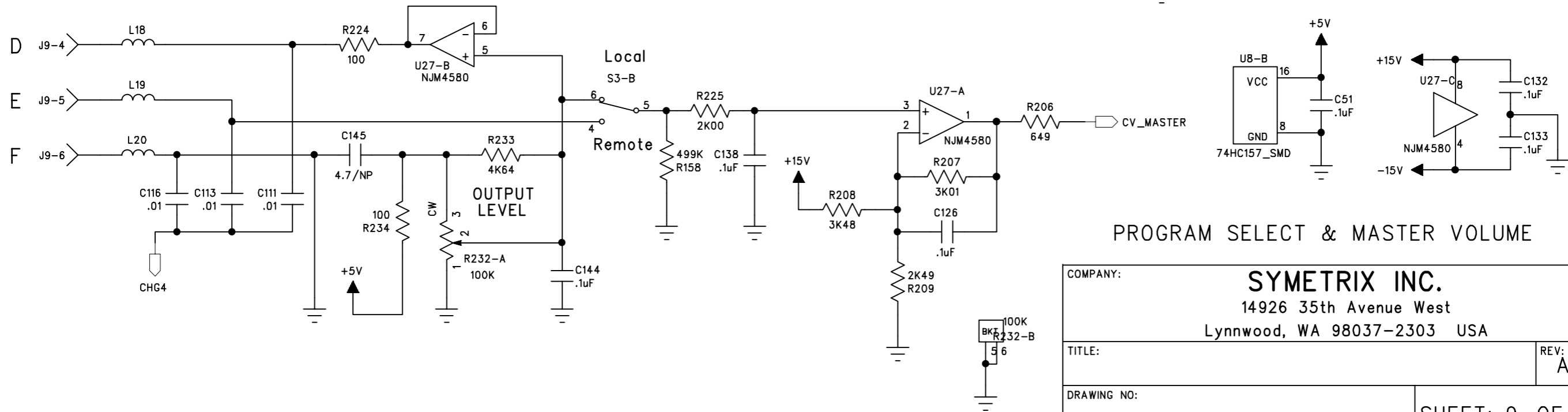
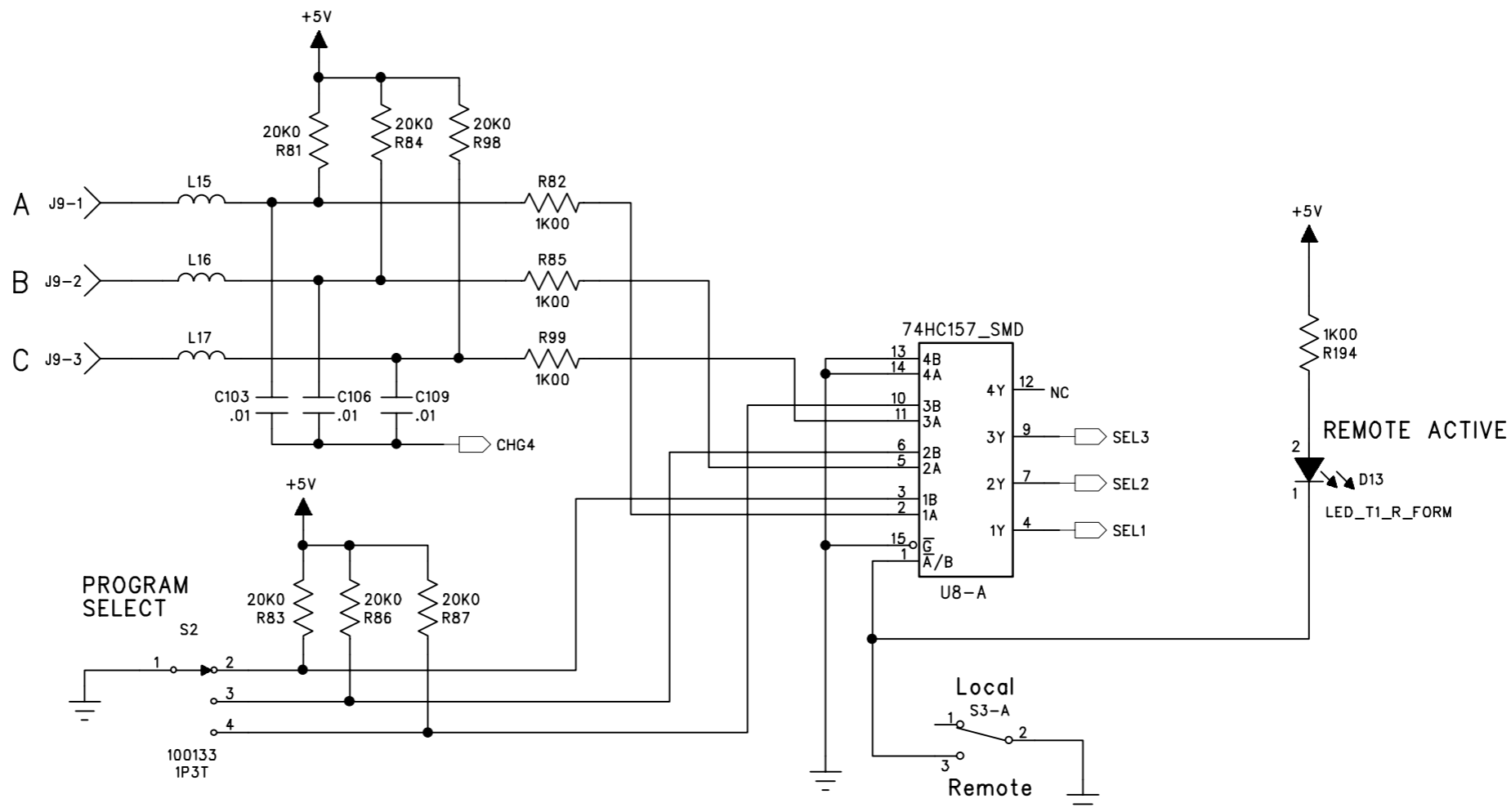
4

3

2

1

SEE SHEET 1 FOR REVISIONS



PROGRAM SELECT & MASTER VOLUME

COMPANY:		<b>SYMETRIX INC.</b>	
		14926 35th Avenue West	
		Lynnwood, WA 98037-2303 USA	
TITLE:		REV: A.01	
DRAWING NO:		SHEET: 9 OF 10	

6

5

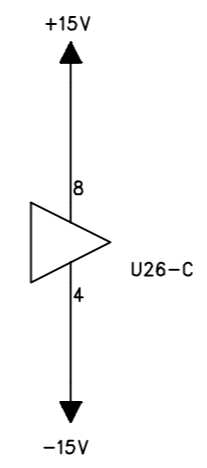
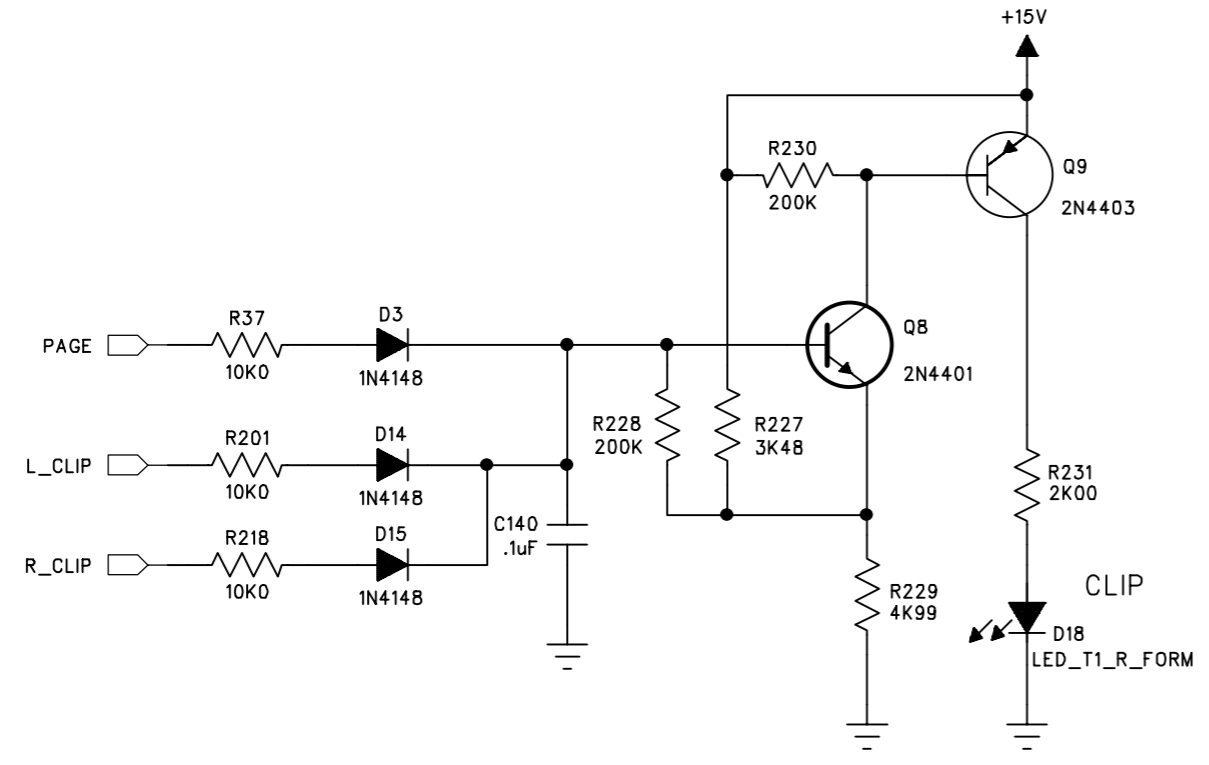
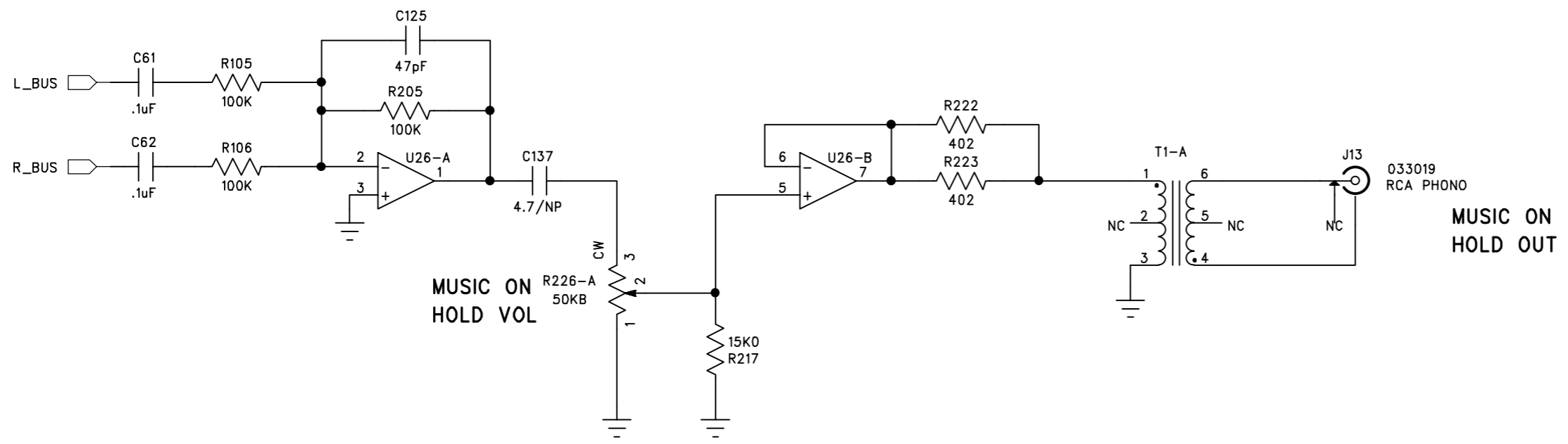
4

3

2

1

SEE SHEET 1 FOR REVISIONS



MUSIC ON HOLD, CLIP LED

COMPANY:		<b>SYMETRIX INC.</b>	
		14926 35th Avenue West Lynnwood, WA 98037-2303 USA	
TITLE:		REV: A.01	
DRAWING NO:		SHEET: 8 OF 10	

6

5

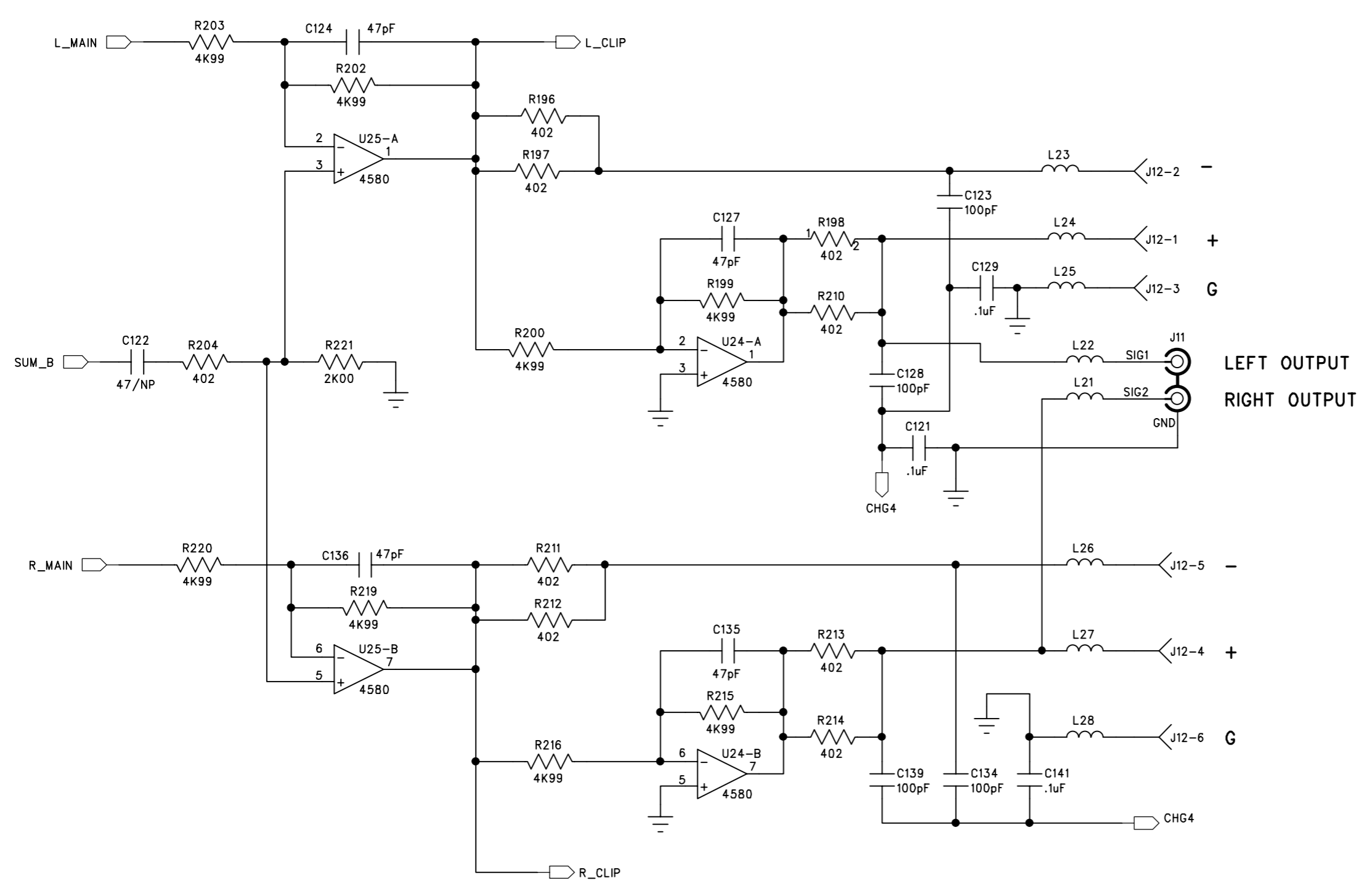
4

3

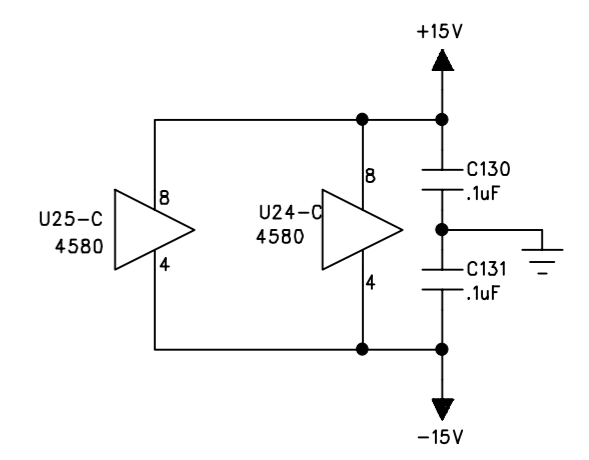
2

1

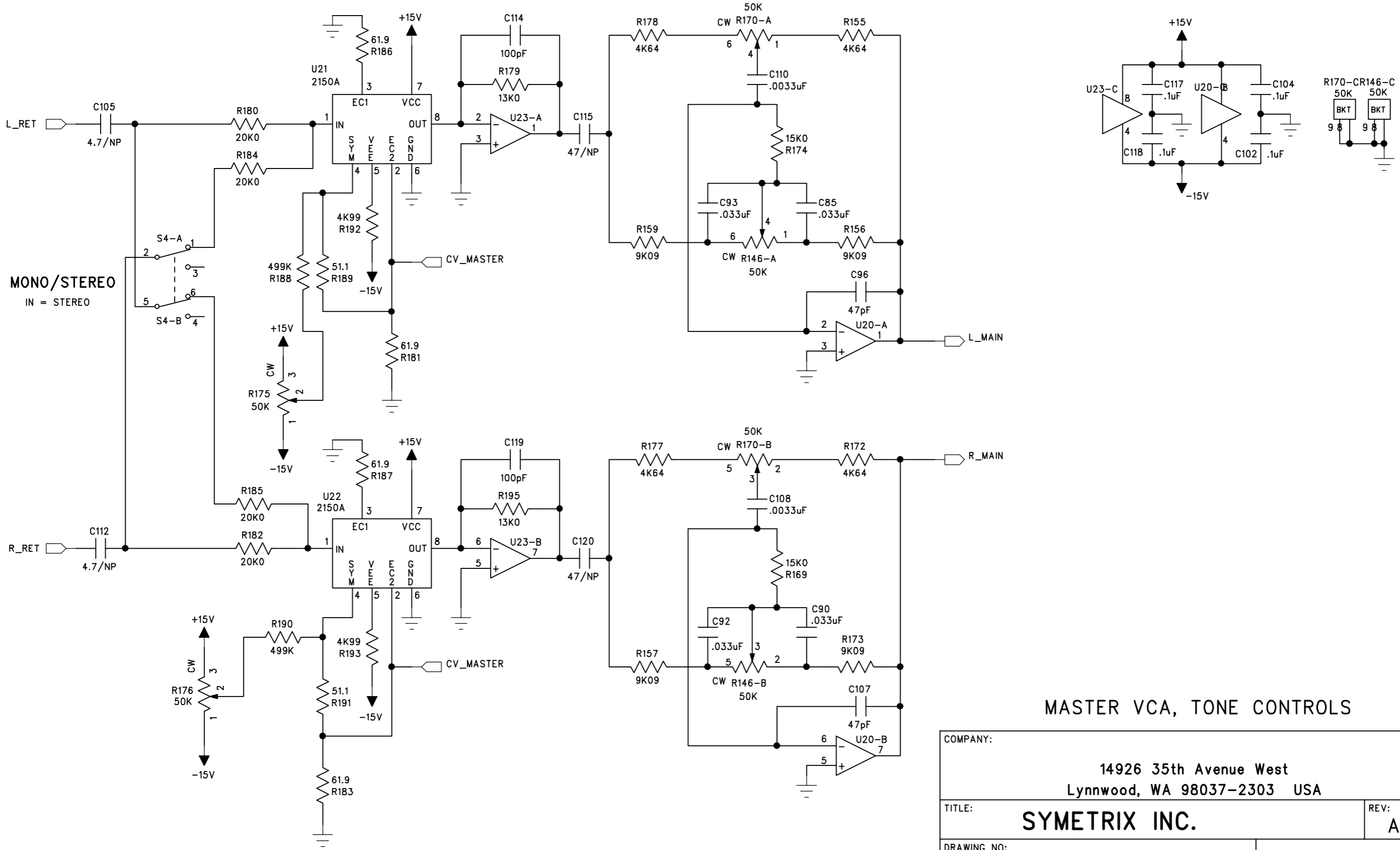
SEE SHEET 1 FOR REVISIONS



LEFT OUTPUT  
RIGHT OUTPUT



COMPANY:		<b>SYMETRIX INC.</b>	
		14926 35th Avenue West	
		Lynnwood, WA 98037-2303 USA	
TITLE:		REV:	A.01
DRAWING NO:		SHEET: 7 OF 10	



MASTER VCA, TONE CONTROLS

COMPANY:	
14926 35th Avenue West Lynnwood, WA 98037-2303 USA	
TITLE:	REV:
<b>SYMETRIX INC.</b>	A.01
DRAWING NO:	SHEET: 6 OF 10

6

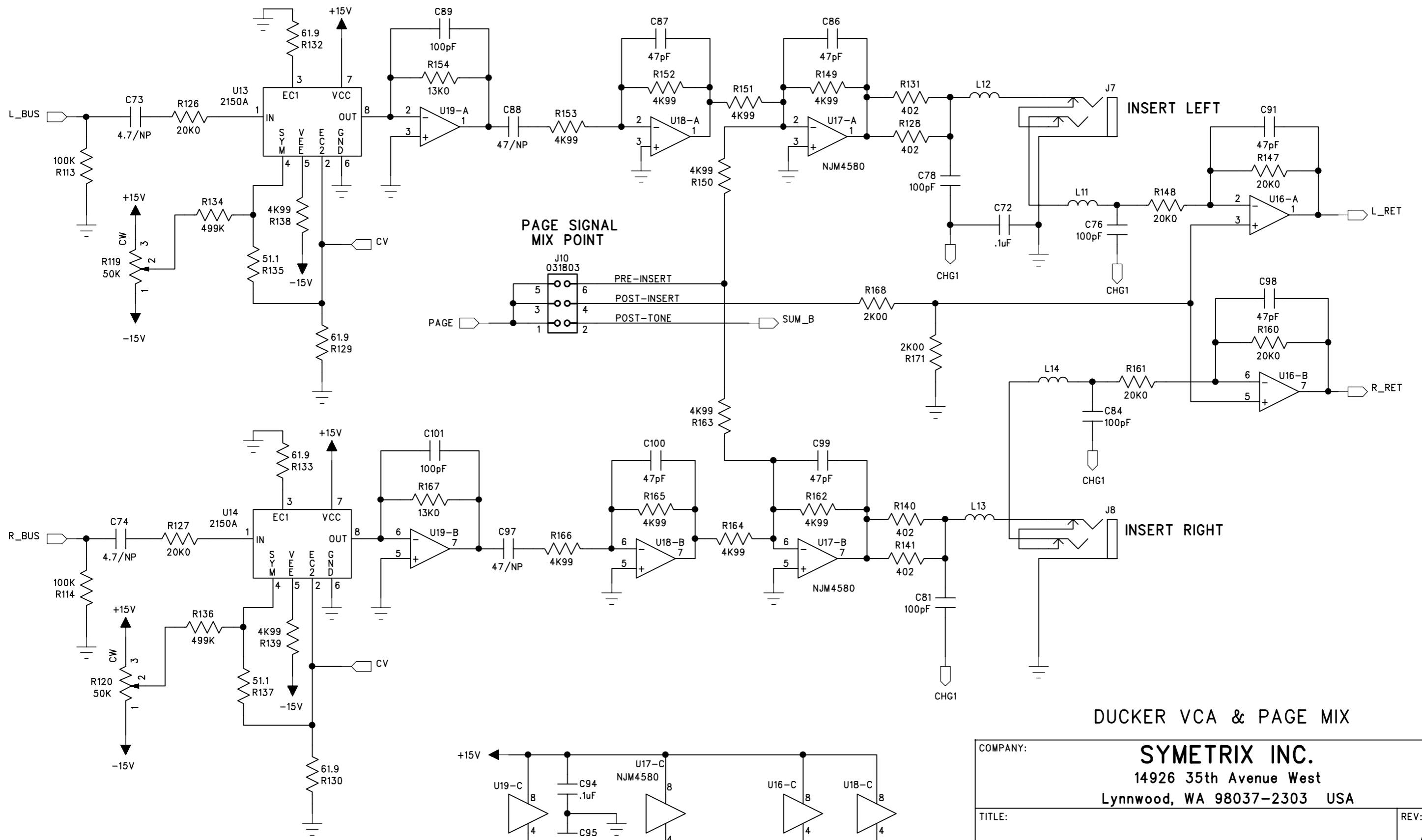
5

4

3

2

1



DUCKER VCA & PAGE MIX

COMPANY:		<b>SYMETRIX INC.</b>	
		14926 35th Avenue West Lynnwood, WA 98037-2303 USA	
TITLE:		REV: A.01	
DRAWING NO:		SHEET: 5 OF 10	

D

C

B

A

6

5

4

3

2

1

D

D

C

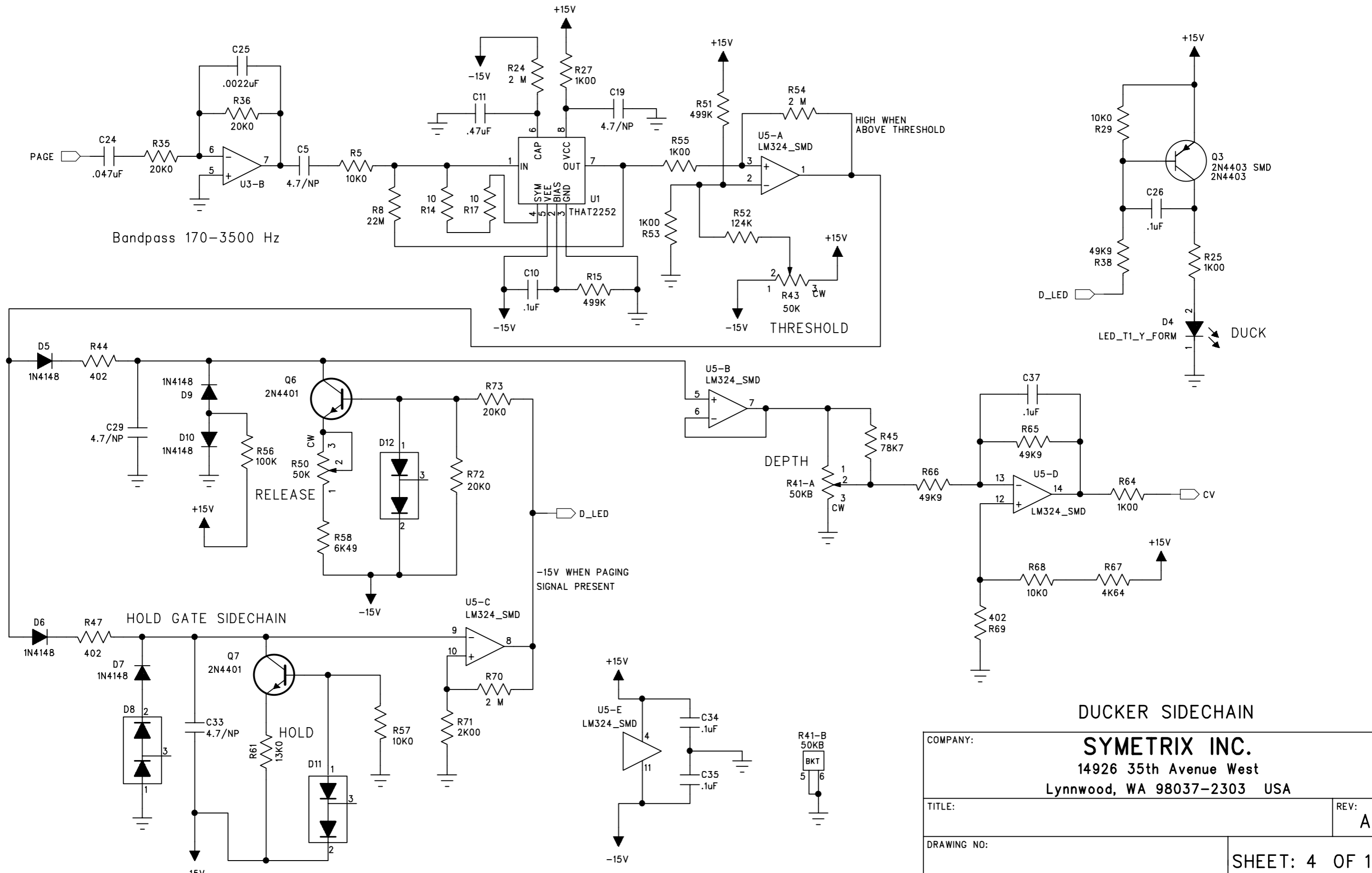
C

B

B

A

A



Bandpass 170-3500 Hz

HOLD GATE SIDECHAIN

RELEASE

HOLD

DEPTH

DUCKER SIDECHAIN

COMPANY: SYMETRIX INC.

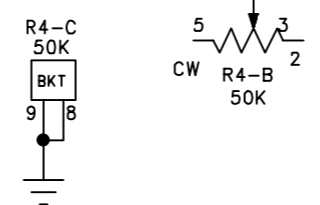
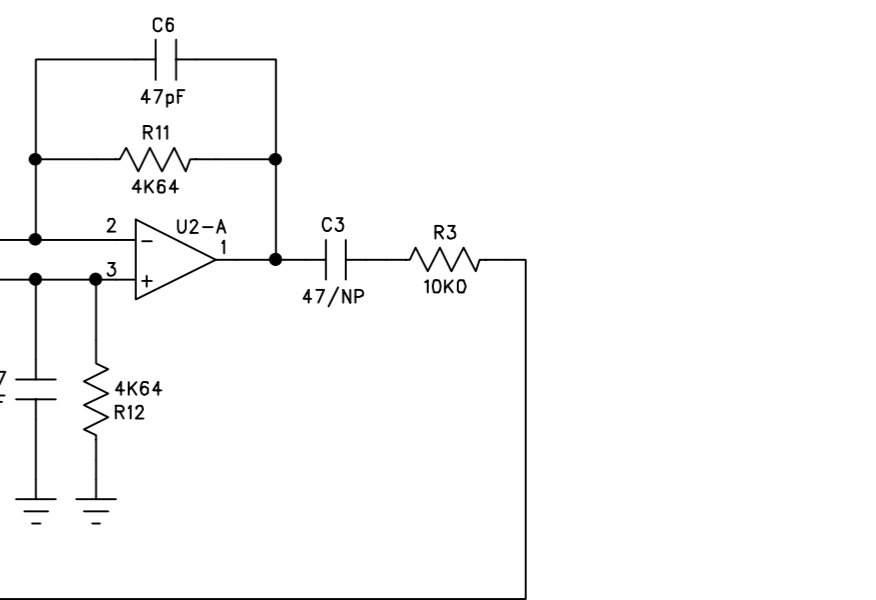
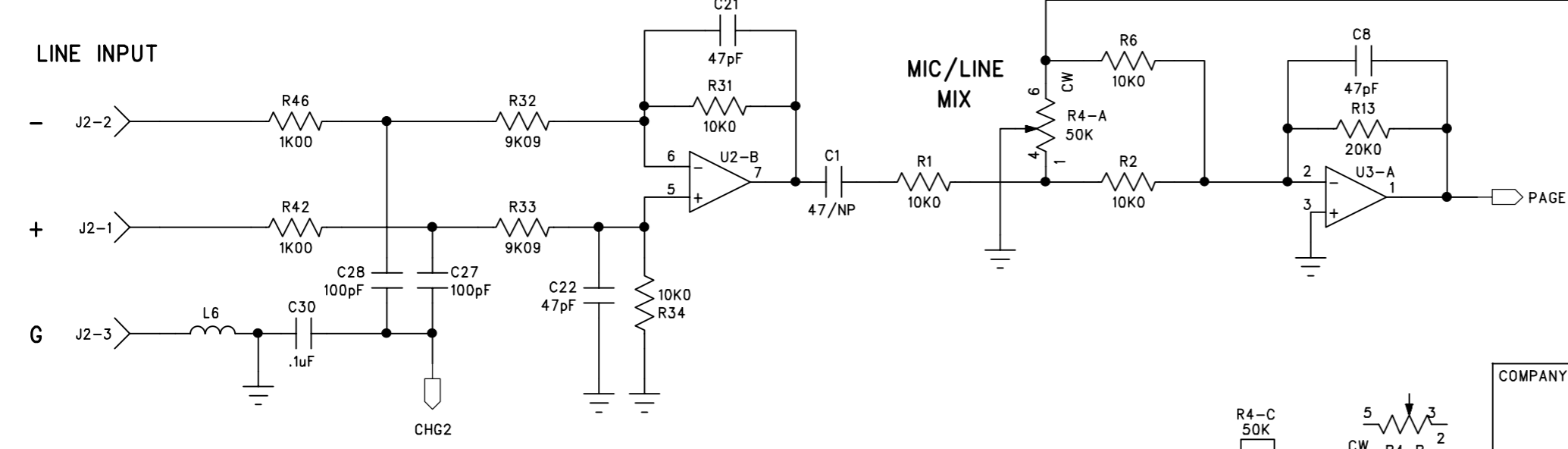
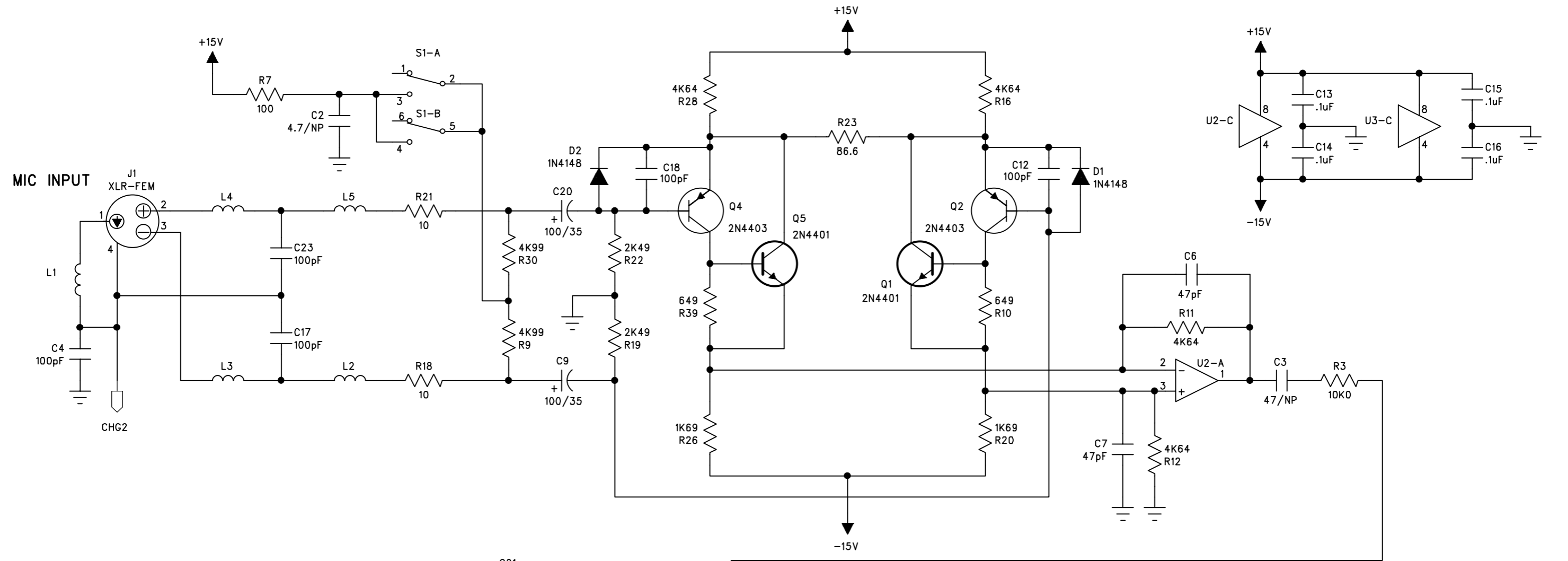
14926 35th Avenue West

Lynnwood, WA 98037-2303 USA

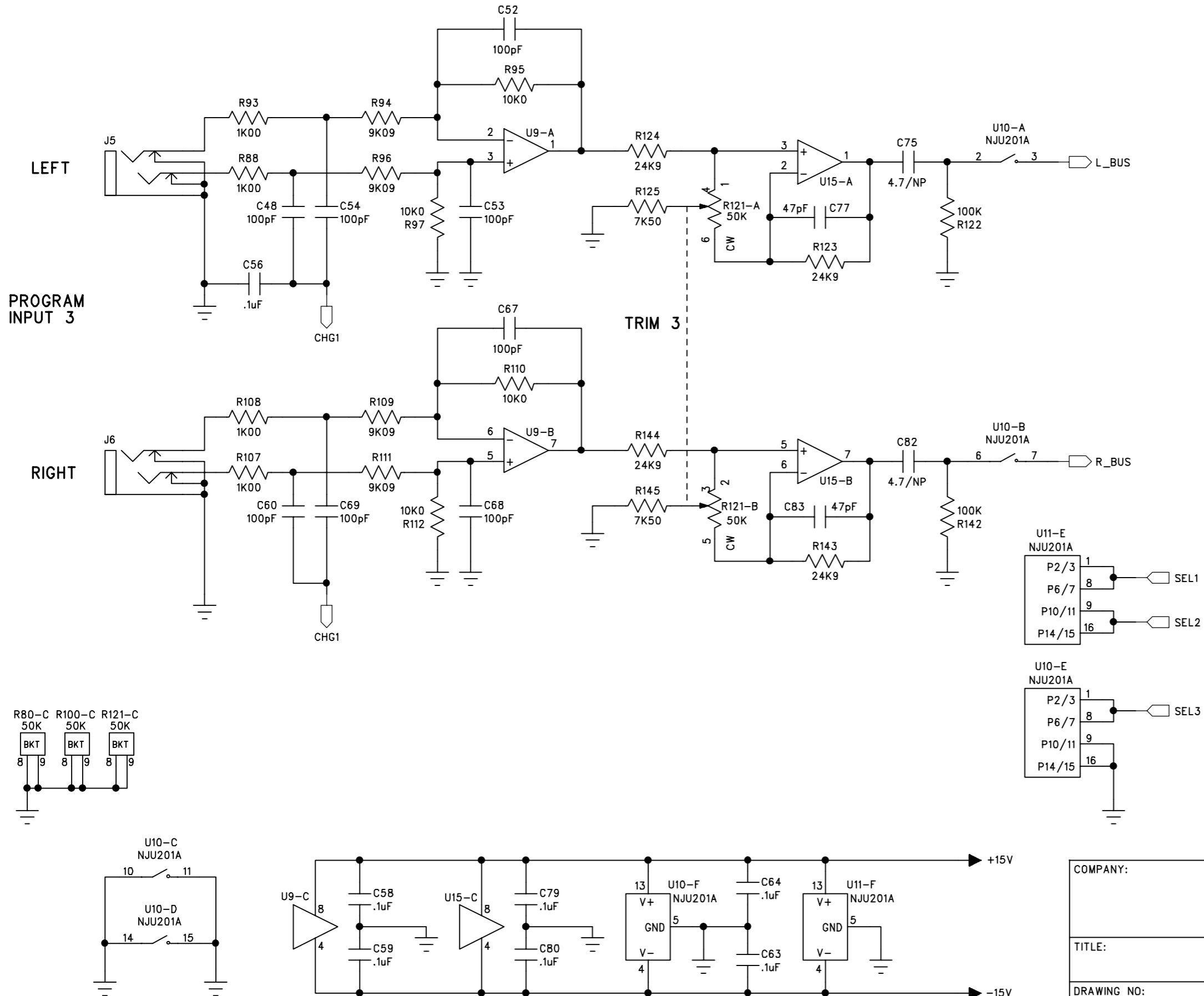
TITLE: REV: A.01

DRAWING NO: SHEET: 4 OF 10





COMPANY:		<b>SYMETRIX INC.</b>	
		14926 35th Avenue West	
		Lynnwood, WA 98037-2303 USA	
TITLE:		REV: A.01	
DRAWING NO:		SHEET: 3 OF 10	



PROGRAM INPUT 3

COMPANY:		<b>SYMETRIX INC.</b>	
		14926 35th Avenue West Lynnwood, WA 98037-2303 USA	
TITLE:		REV: A.01	
DRAWING NO:		SHEET: 2 OF 10	