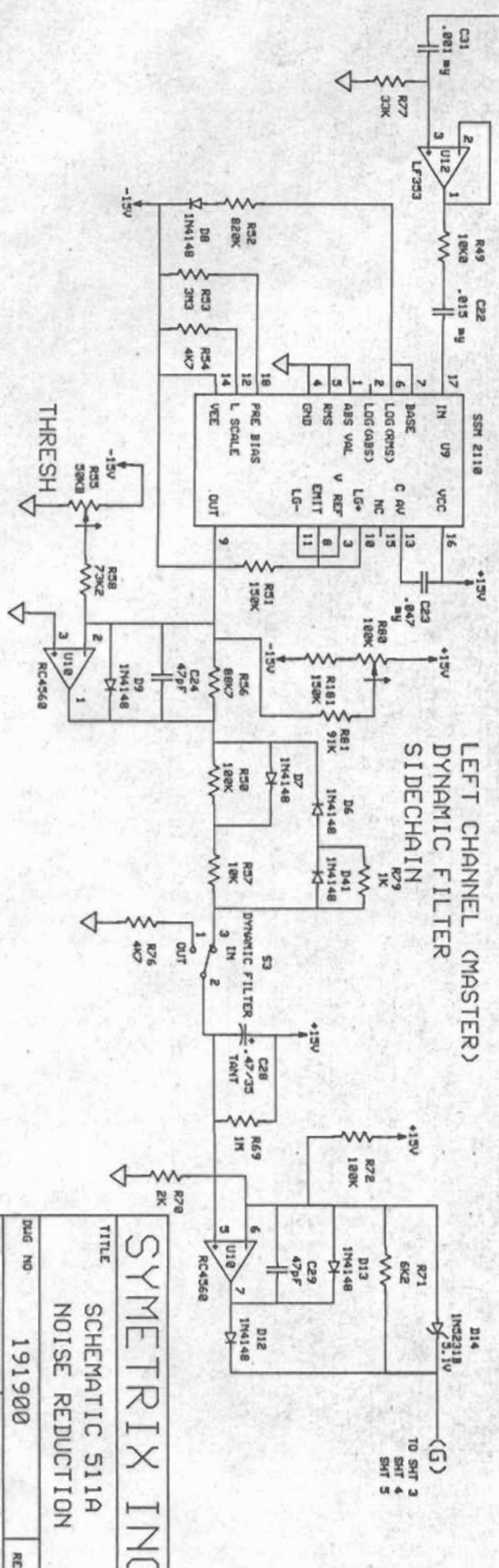
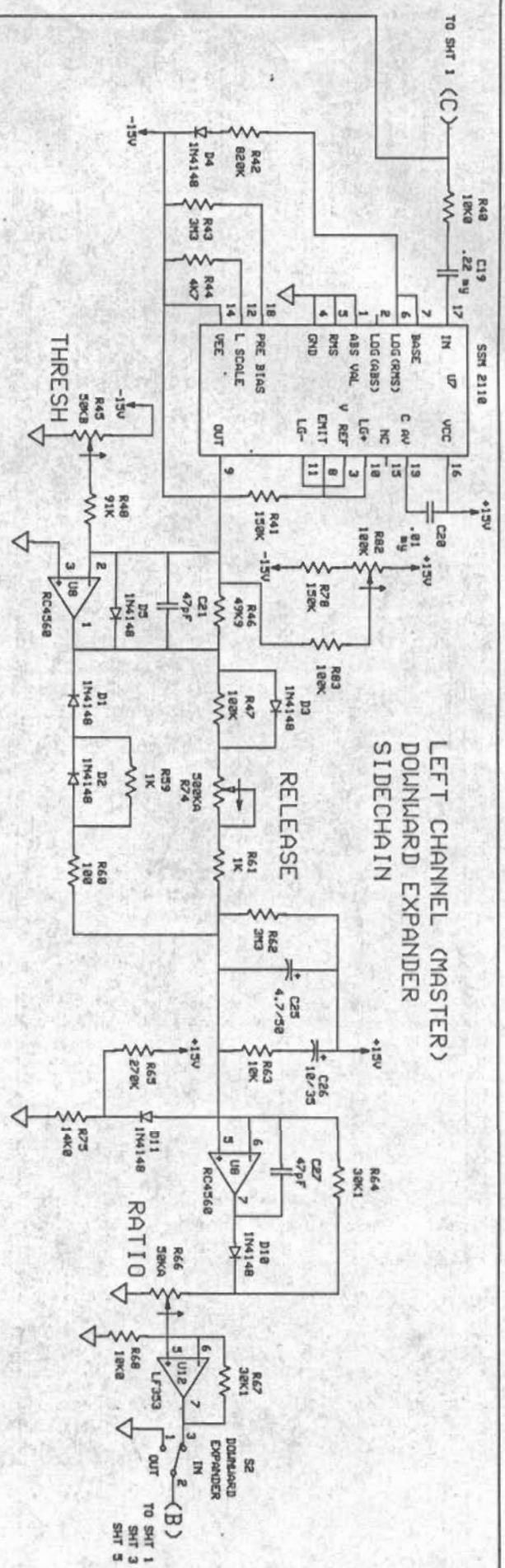


F	INCORP ECO 105	6-11-88	LTR	REVISION	DATE
A	PROTOTYPE UPDATES				8-13-8
B	PRODUCTION UPDATES				9-30-8
C	MINOR PICKUPS				10-28-8
D	INCORP ECO 92				10-28-8
E	INCORP ECO 105				6-7-88

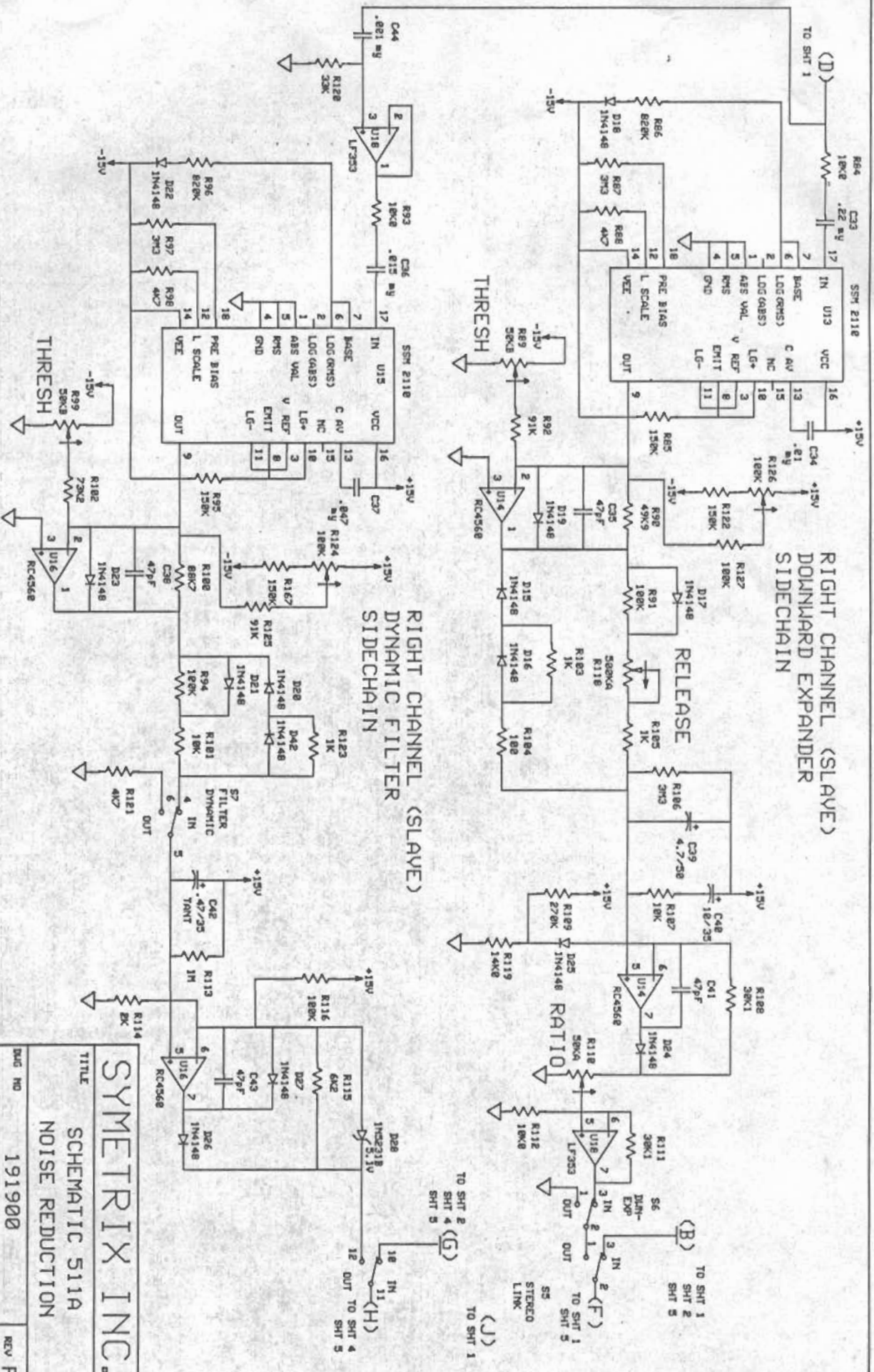
SYMETRIX INC.
 TITLE SCHEMATIC 511A
 NOISE REDUCTION
 Dwg NO 191900
 DATE 5-14-87 SHT 1 OF 6



SYMMETRIX INC.
SCHEMATIC 511A
NOISE REDUCTION

DWG NO. 191900
DATE 5-14-87

REV F
SHT 2 OF 6

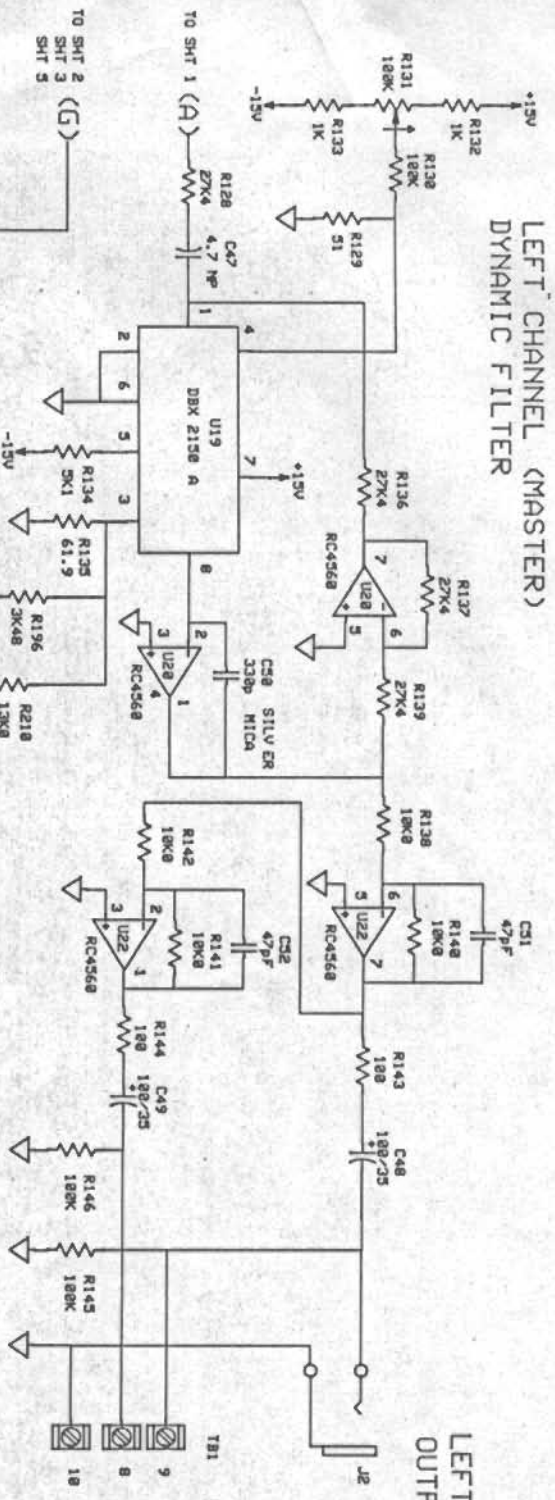


RIGHT CHANNEL (SLAVE)
DOWNWARD EXPANDER
SIDECHAIN

RIGHT CHANNEL (SLAVE)
DYNAMIC FILTER
SIDECHAIN

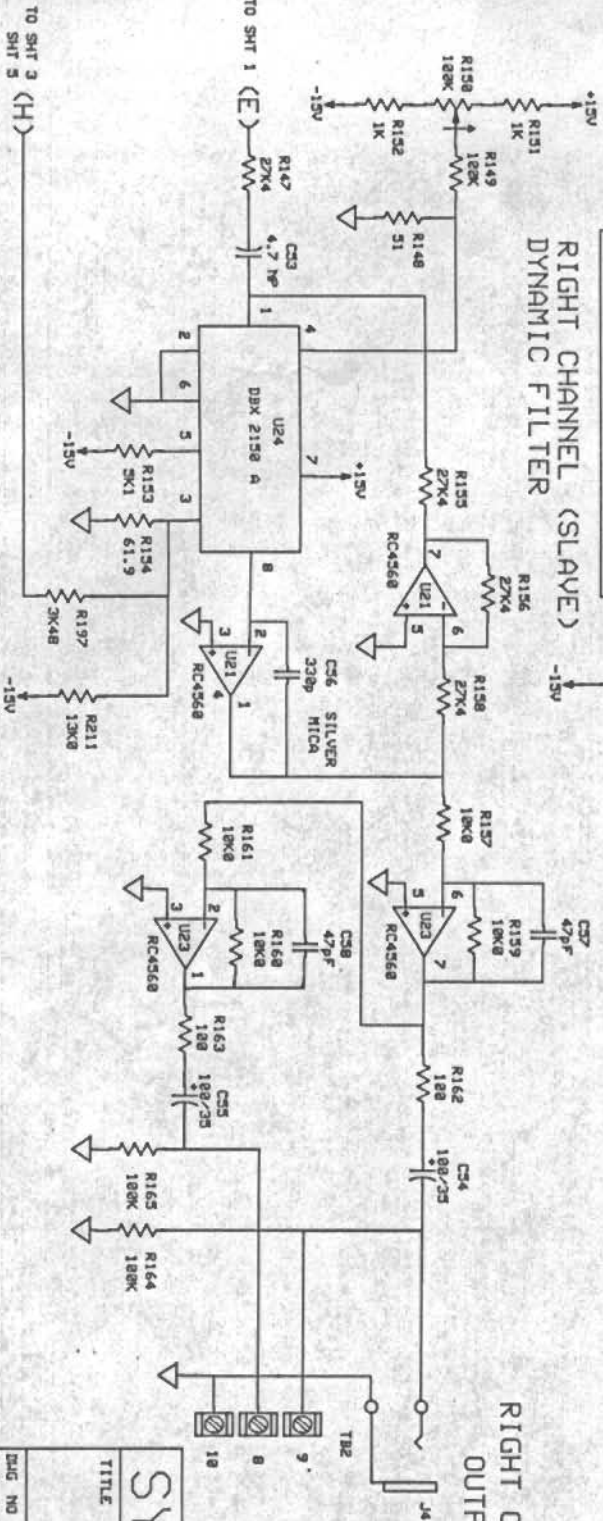
SYMETRIX INC.	
TITLE	
SCHEMATIC 511A	
NOISE REDUCTION	
DWG NO	REV F
191900	
DATE 5-15-87	SHT 3 OF 6

LEFT CHANNEL (MASTER)
DYNAMIC FILTER



LEFT CHANNEL
OUTPUT

RIGHT CHANNEL (SLAVE)
DYNAMIC FILTER



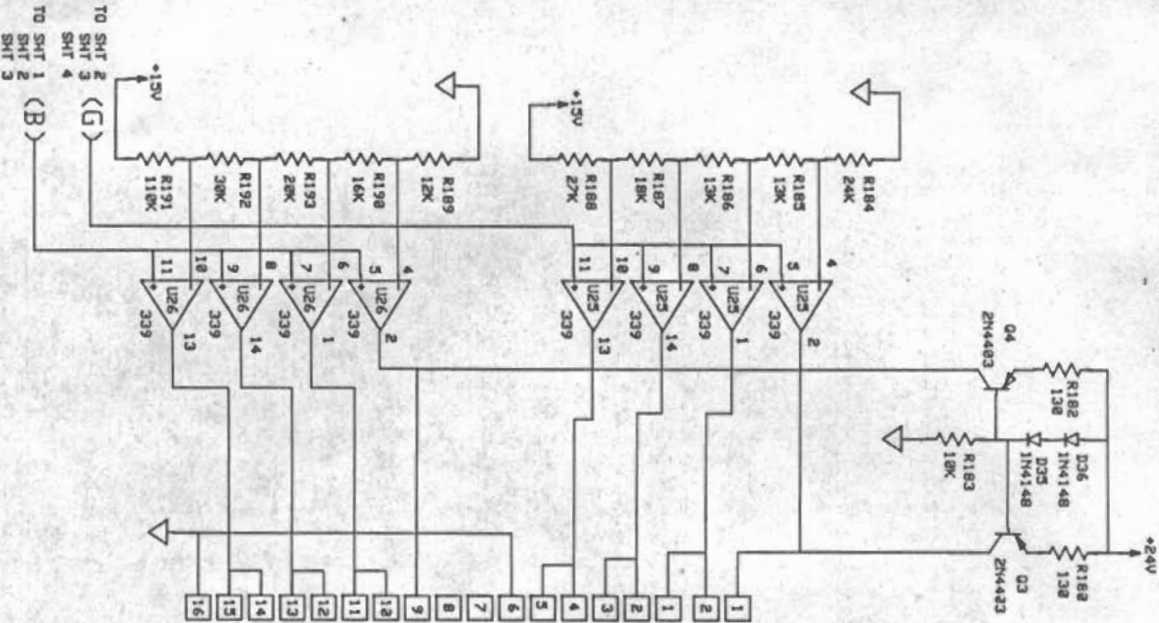
RIGHT CHANNEL
OUTPUT

SYMETRIX INC.

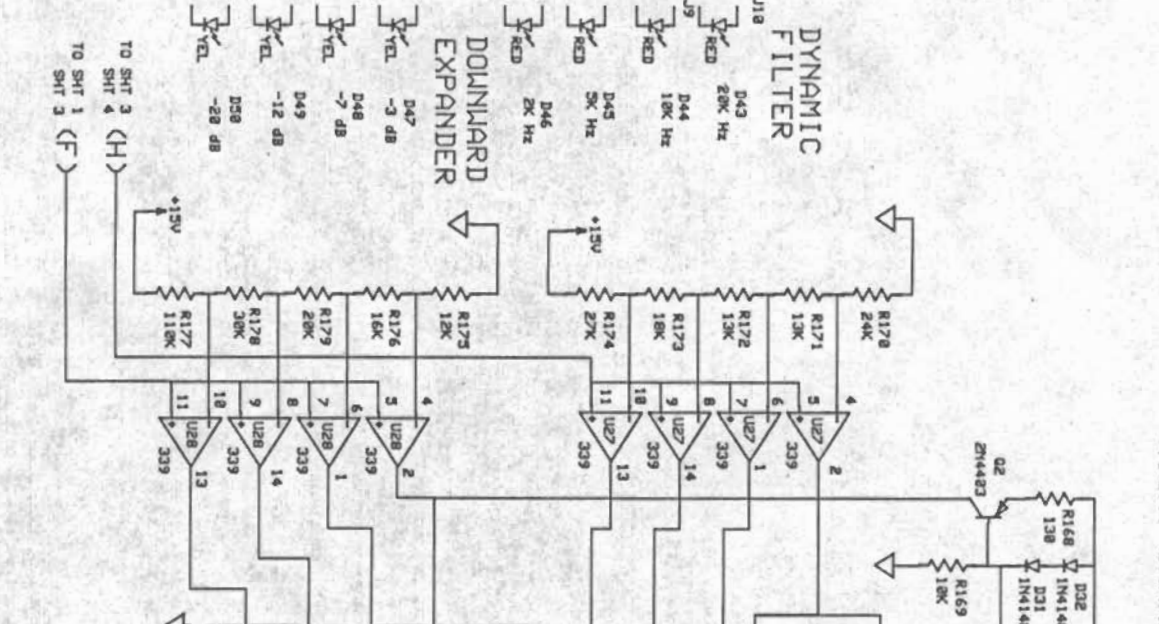
TITLE
SCHEMATIC S11A
NOISE REDUCTION

DATE	5-14-87	SHT 4	OF 6
DWG NO	191900		
REV	F		

LEFT CHANNEL DISPLAY



RIGHT CHANNEL DISPLAY



DYNAMIC FILTER

D43 20K Hz
 D44 10K Hz
 D45 5K Hz
 D46 2K Hz

DOWNWARD EXPANDER

D47 -3 dB
 D48 -7 dB
 D49 -12 dB
 D58 -28 dB

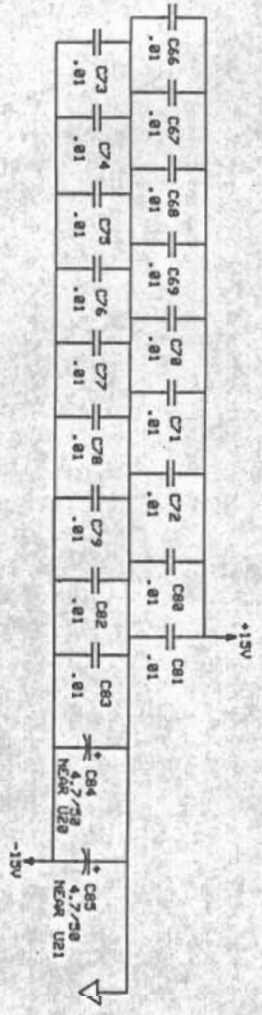
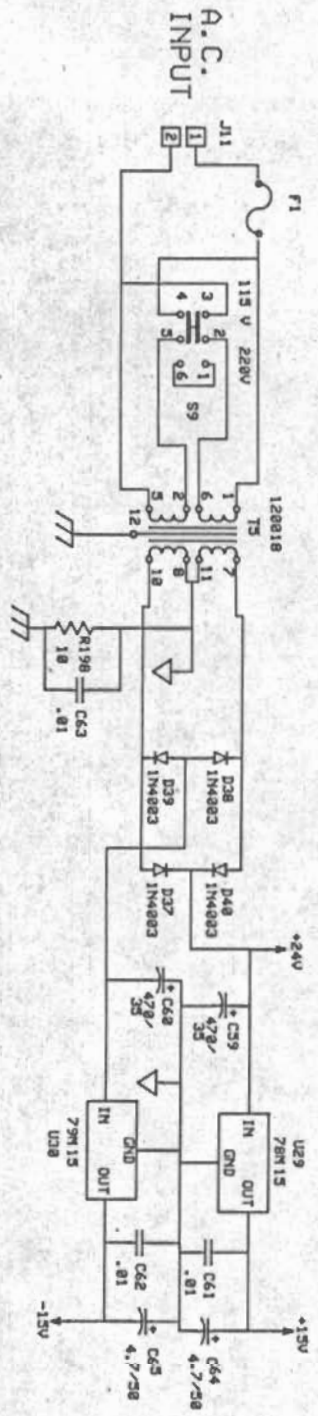
DYNAMIC FILTER

D51 20K Hz
 D52 10K Hz
 D53 5K Hz
 D54 2K Hz

DOWNWARD EXPANDER

D55 -3 dB
 D56 -7 dB
 D57 -12 dB
 D58 -28 dB

SYMETRIX INC.	
TITLE SCHEMATIC 511A	
NOISE REDUCTION	
DATE 5-14-87	SHT 5 OF 6
DWG NO 191900	REV F



SYMETRIX INC.
 TITLE SCHEMATIC 511A
 NOISE REDUCTION
 Dwg NO 191900
 DATE 5-14-87 SHT 6 OF 6
 REV F