

6

5

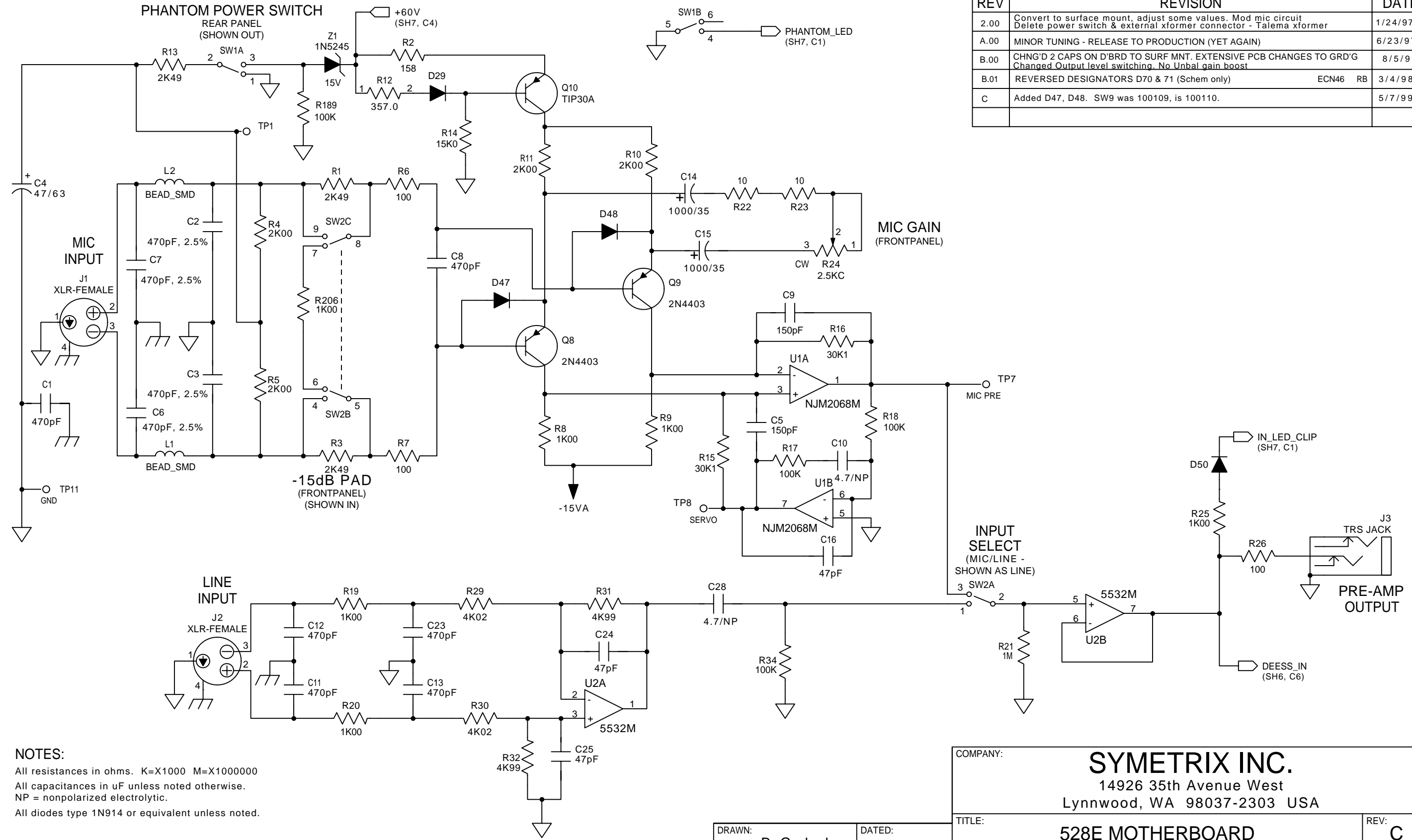
4

3

2

1

REV	REVISION	DATE
2.00	Convert to surface mount, adjust some values. Mod mic circuit Delete power switch & external xformer connector - Talema xformer	1/24/97
A.00	MINOR TUNING - RELEASE TO PRODUCTION (YET AGAIN)	6/23/97
B.00	CHNG'D 2 CAPS ON D'BRD TO SURF MNT. EXTENSIVE PCB CHANGES TO GRD'G Changed Output level switching. No Unbal gain boost	8/5/97
B.01	REVERSED DESIGNATORS D70 & 71 (Schem only)	ECN46 RB 3/4/98
C	Added D47, D48. SW9 was 100109, is 100110.	5/7/99



**NOTES:**  
 All resistances in ohms. K=X1000 M=X1000000  
 All capacitances in uF unless noted otherwise.  
 NP = nonpolarized electrolytic.  
 All diodes type 1N914 or equivalent unless noted.

COMPANY: **SYMETRIX INC.**  
 14926 35th Avenue West  
 Lynnwood, WA 98037-2303 USA

TITLE: **528E MOTHERBOARD** REV: **C**

DRAWING NO: **52 528E 1** SHEET: **1 OF 9**

DRAWN: <b>B. Gudgel</b>	DATED:
RELEASED:	DATED:

6

5

4

3

2

1

D

D

C

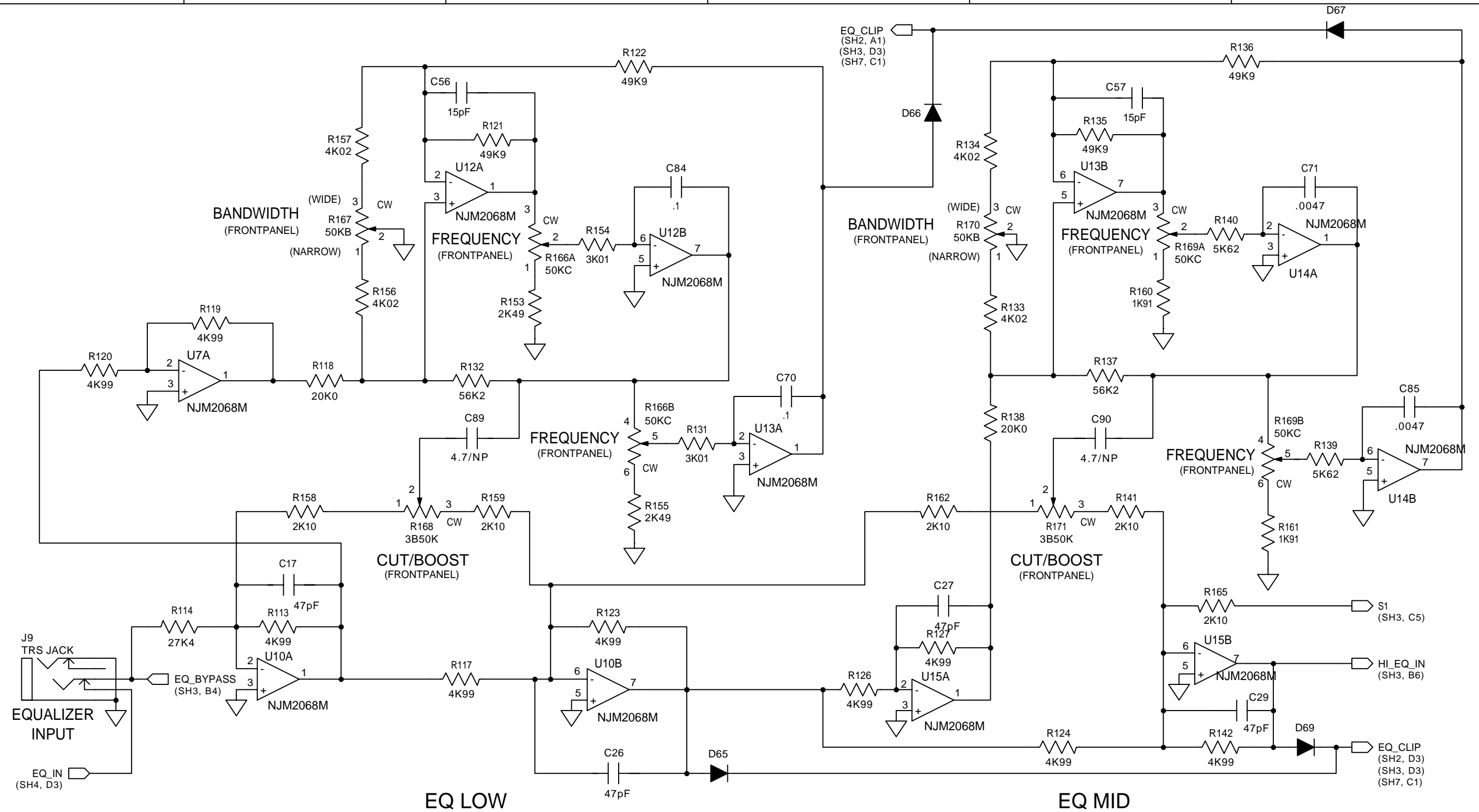
C

B

B

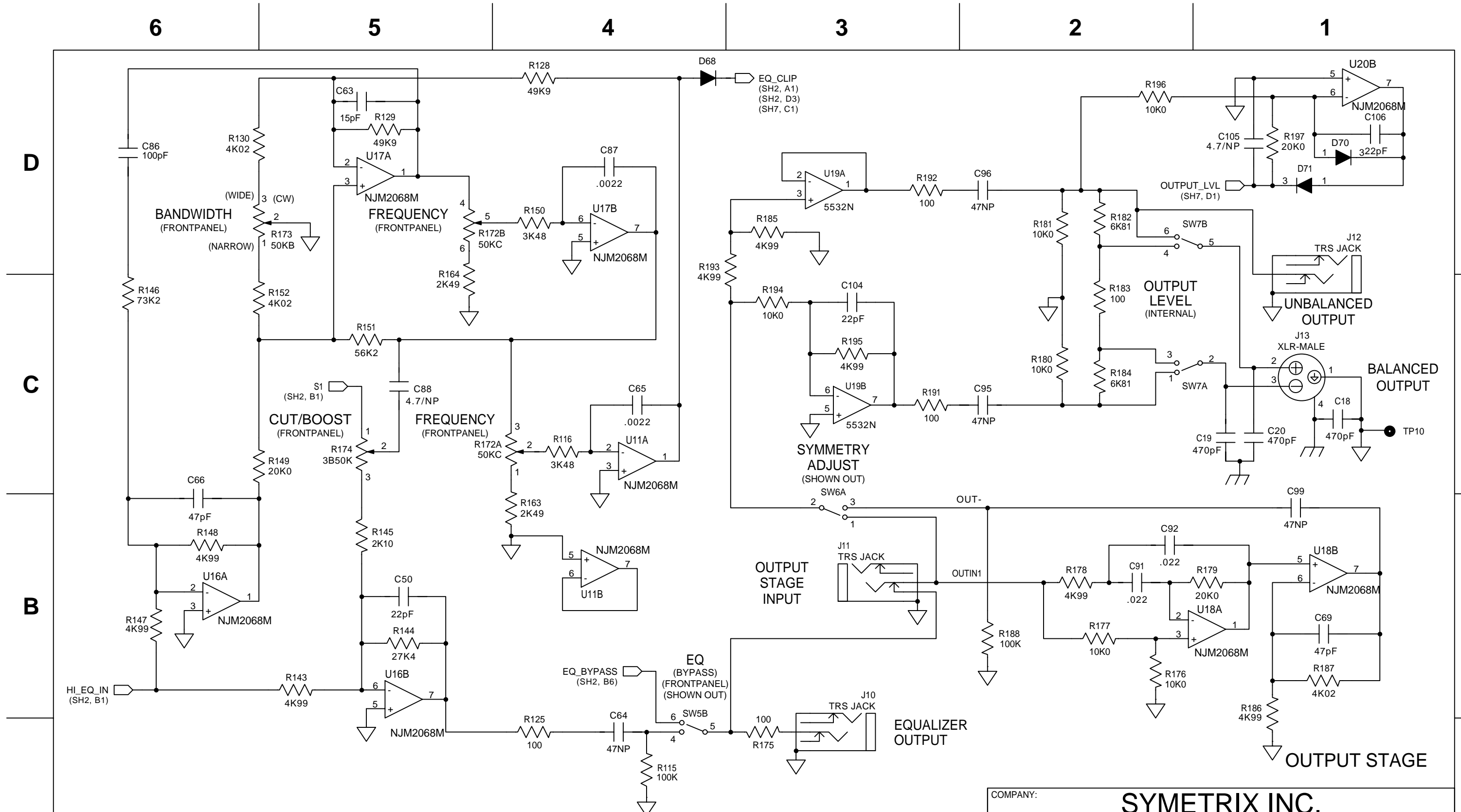
A

A



COMPANY:		<b>SYMETRIX INC.</b>	
		14926 35th Avenue West Lynnwood, WA 98037-2303 USA	
TITLE:		<b>528E MOTHERBOARD</b>	REV: <b>C</b>
DRAWING NO:		<b>52 528E 1</b>	SHEET: 2 OF 9

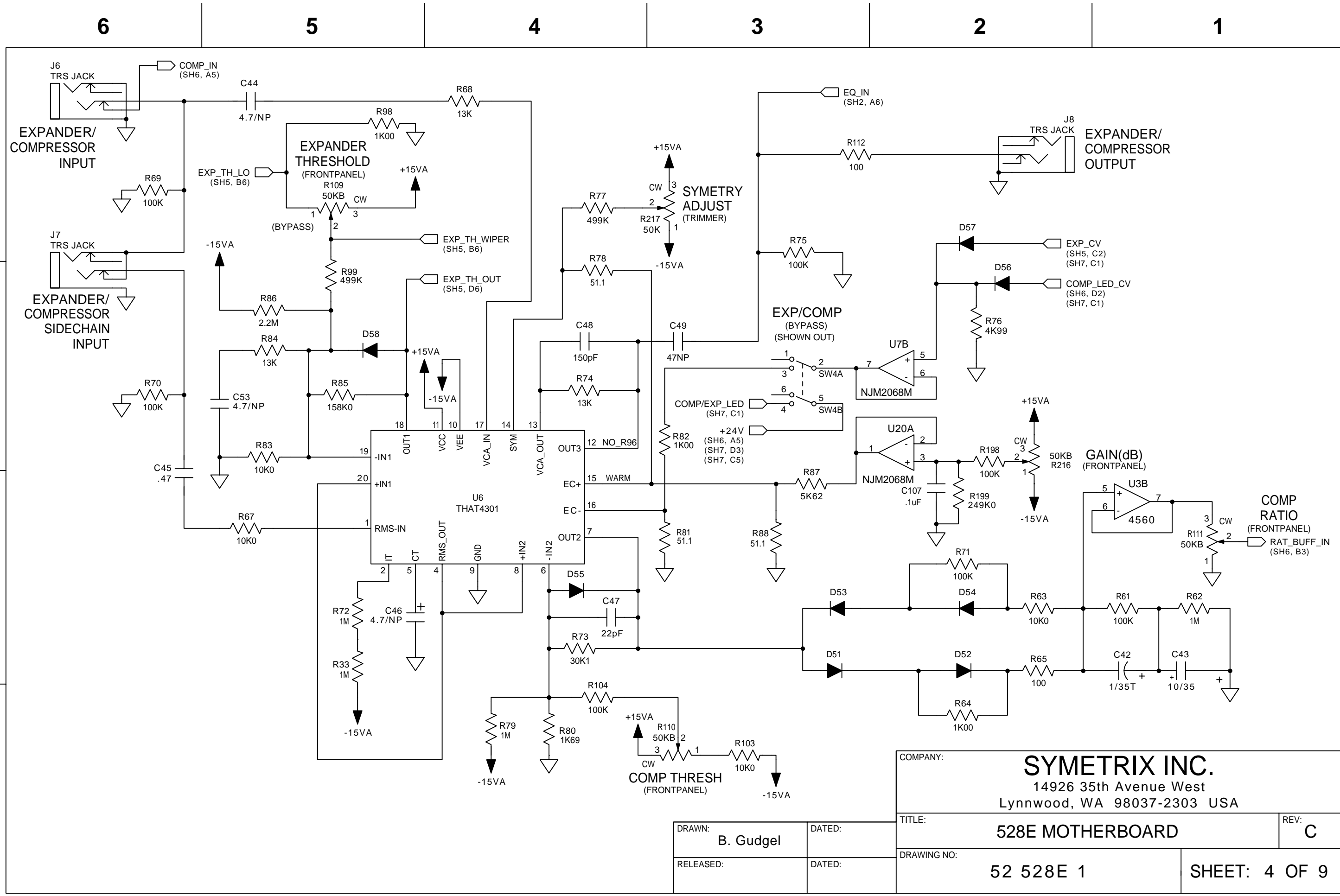
DRAWN:	DATED:
<b>B. Gudgel</b>	
RELEASED:	DATED:



EQ HIGH

COMPANY:		<b>SYMETRIX INC.</b>	
		14926 35th Avenue West Lynnwood, WA 98037-2303 USA	
TITLE:		<b>528E MOTHERBOARD</b>	REV: <b>C</b>
DRAWING NO:		<b>52 528E 1</b>	<b>SHEET: 3 OF 9</b>

DRAWN:	DATED:
<b>B. Gudgel</b>	
RELEASED:	DATED:



COMPANY:		<b>SYMETRIX INC.</b>	
		14926 35th Avenue West Lynnwood, WA 98037-2303 USA	
TITLE:		<b>528E MOTHERBOARD</b>	REV: <b>C</b>
DRAWING NO:		<b>52 528E 1</b>	<b>SHEET: 4 OF 9</b>

DRAWN:	DATED:
<b>B. Gudgel</b>	
RELEASED:	DATED:

6

5

4

3

2

1

D

D

C

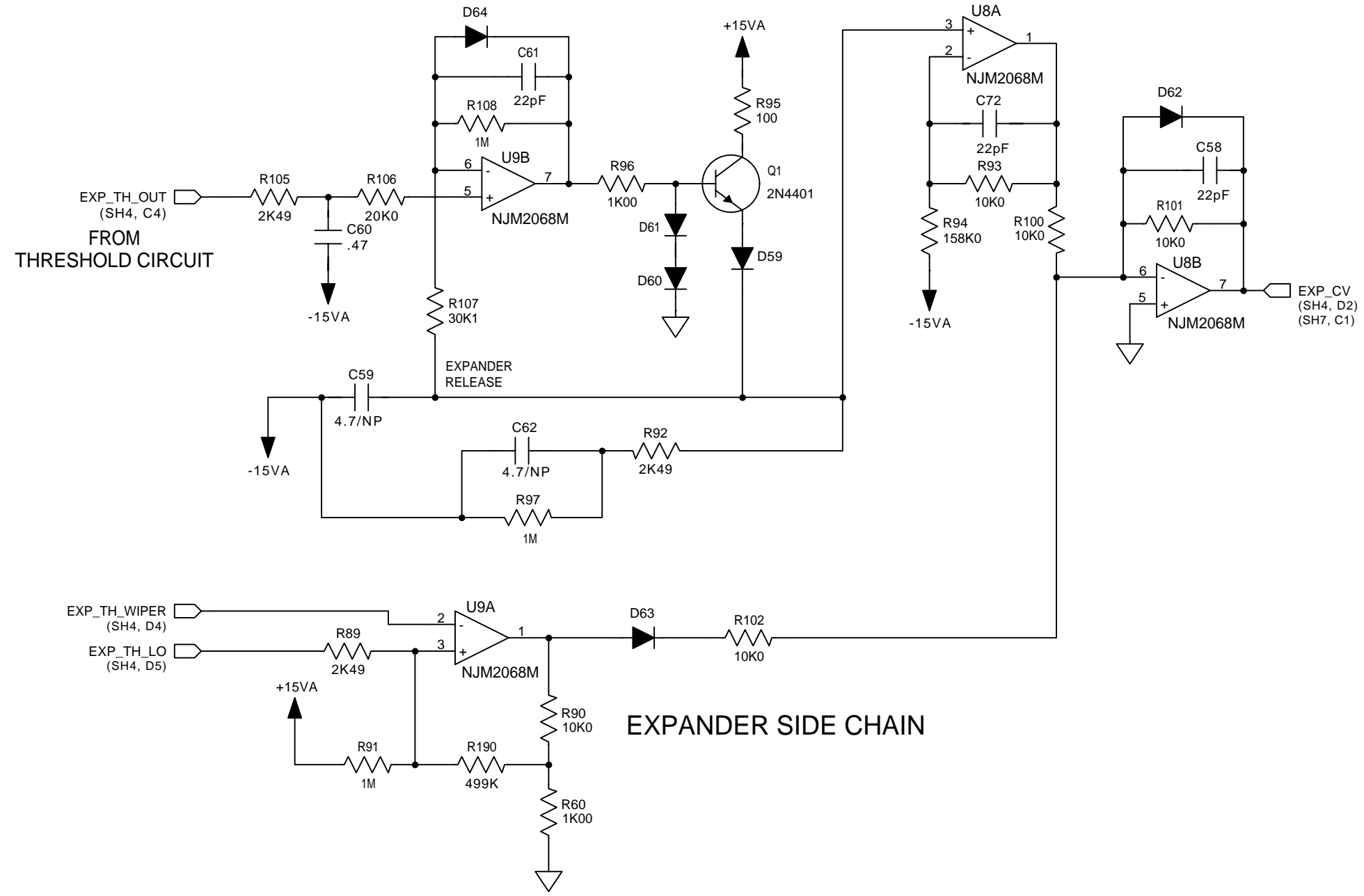
C

B

B

A

A



COMPANY:		<b>SYMETRIX INC.</b>	
		14926 35th Avenue West Lynnwood, WA 98037-2303 USA	
TITLE:		<b>528E MOTHERBOARD</b>	REV: <b>C</b>
DRAWING NO:		<b>52 528 1</b>	SHEET: <b>5 OF 9</b>

DRAWN:	DATED:
<b>B. Gudgel</b>	
RELEASED:	DATED:

6

5

4

3

2

1

D

D

C

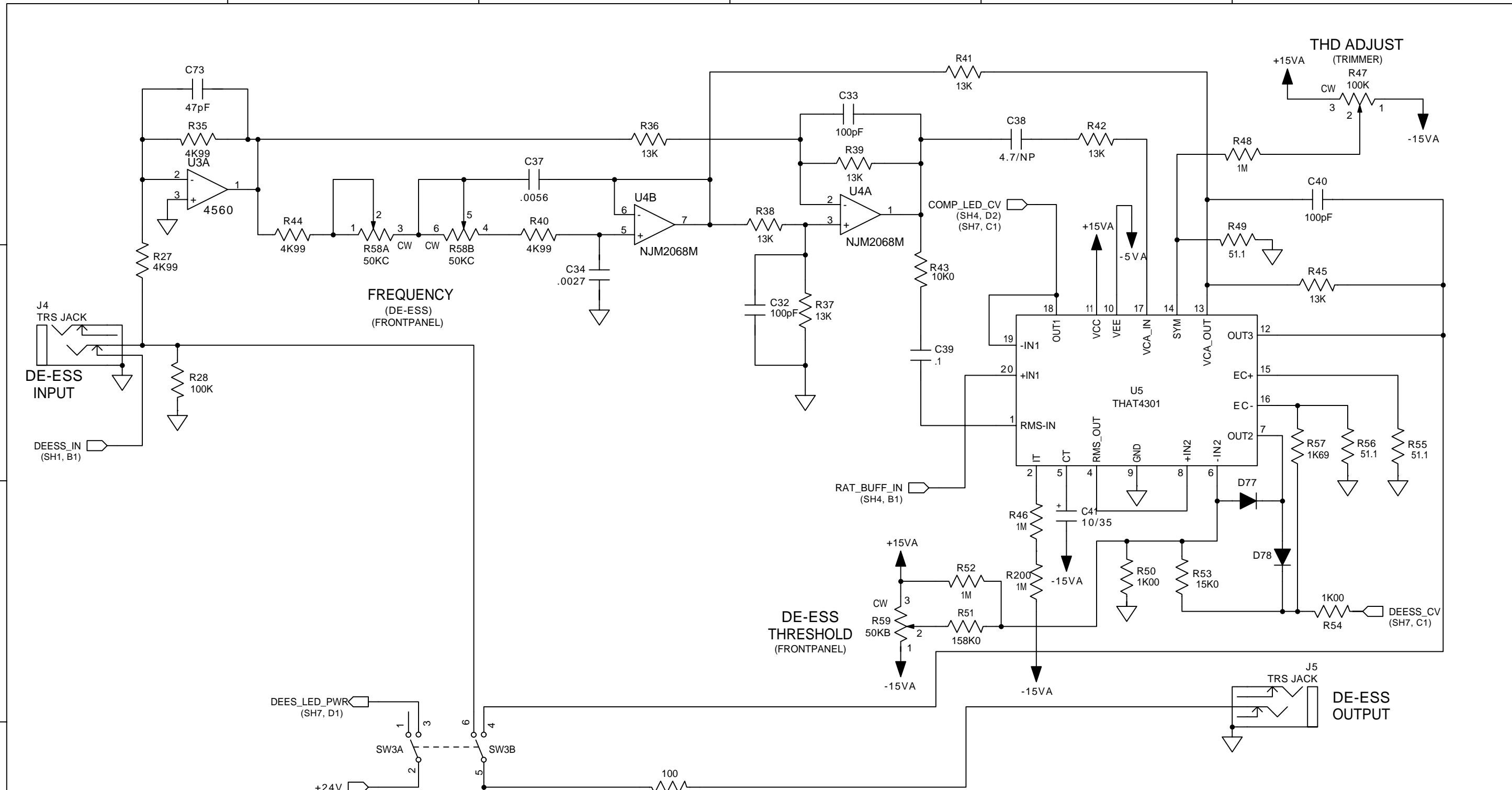
C

B

B

A

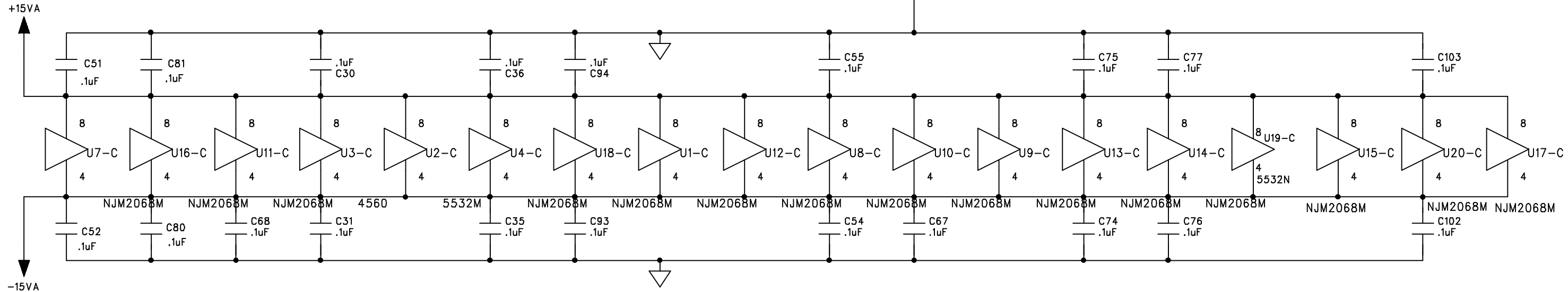
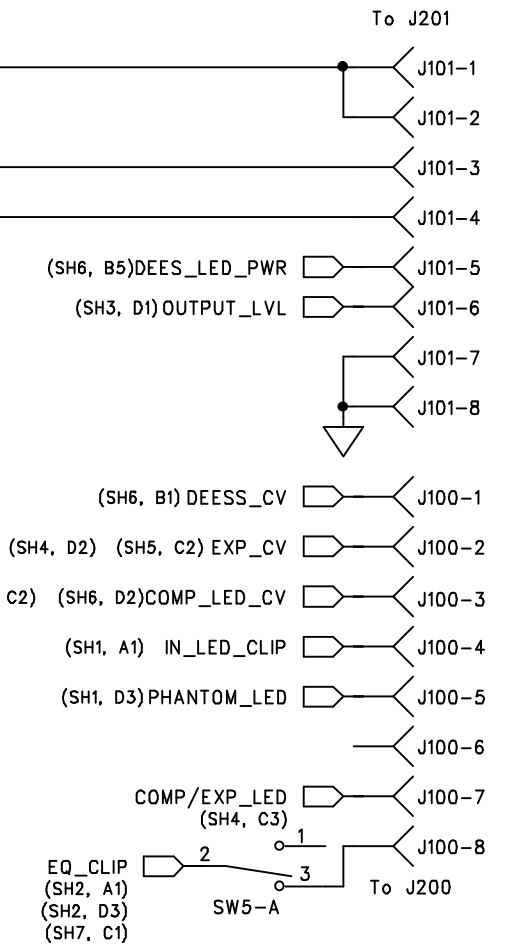
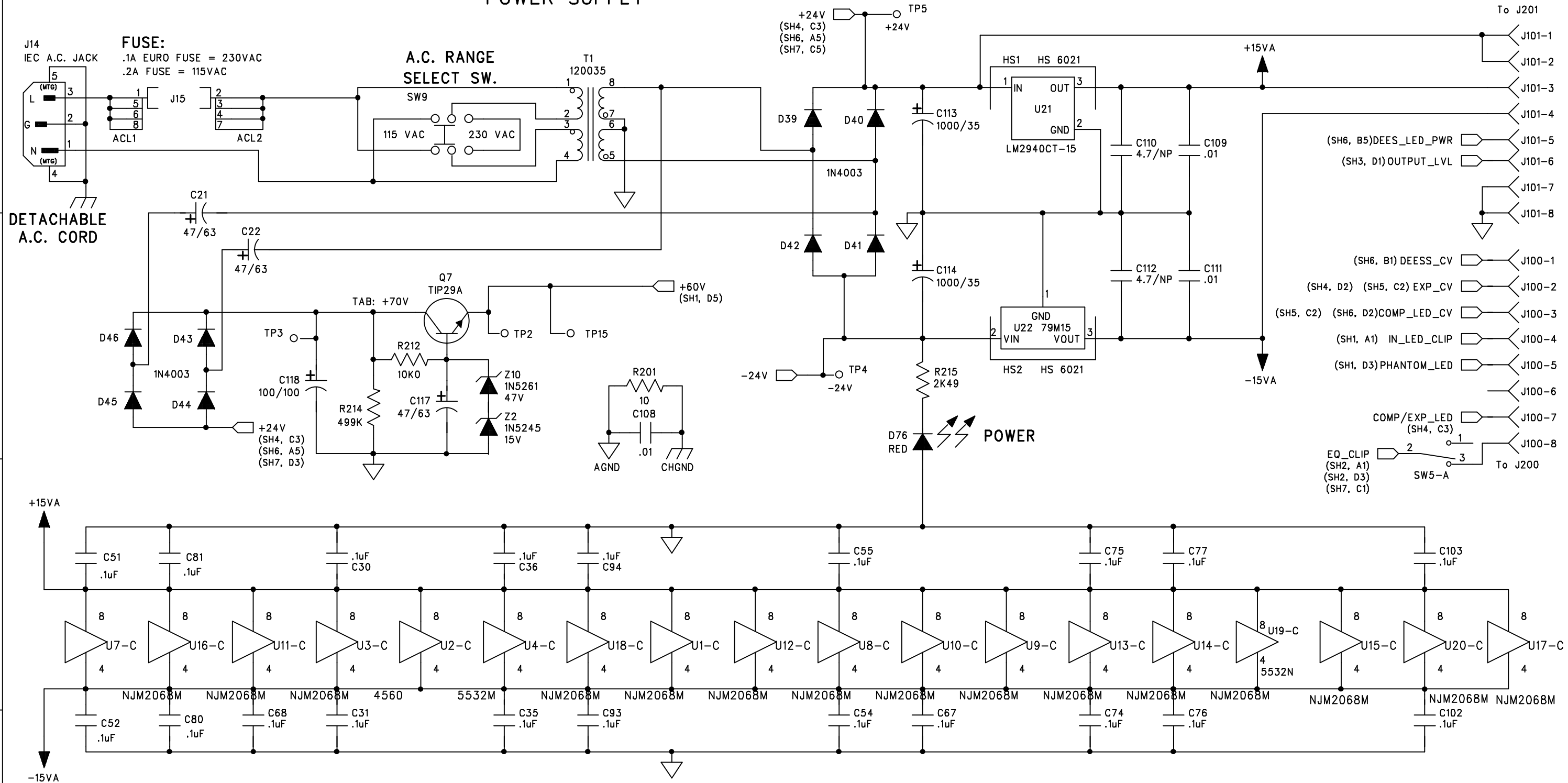
A



COMPANY:		<b>SYMETRIX INC.</b>	
		14926 35th Avenue West Lynnwood, WA 98037-2303 USA	
TITLE:		<b>528E MOTHERBOARD</b>	REV: <b>C</b>
DRAWING NO:		<b>52 528E 1</b>	SHEET: <b>6 OF 9</b>

DRAWN:	DATED:
<b>B. Gudgel</b>	
RELEASED:	DATED:

POWER SUPPLY



COMPANY:		<b>SYMETRIX INC.</b> 14926 35th Avenue West Lynnwood, WA 98037-2303 USA	
TITLE:			
DRAWN: <b>B. Gudgel</b>	DATED:	528E MOTHERBOARD	
RELEASED:	DATED:	DRAWING NO: <b>52 528E 1</b>	SHEET: 7 OF 9

6

5

4

3

2

1

D

D

C

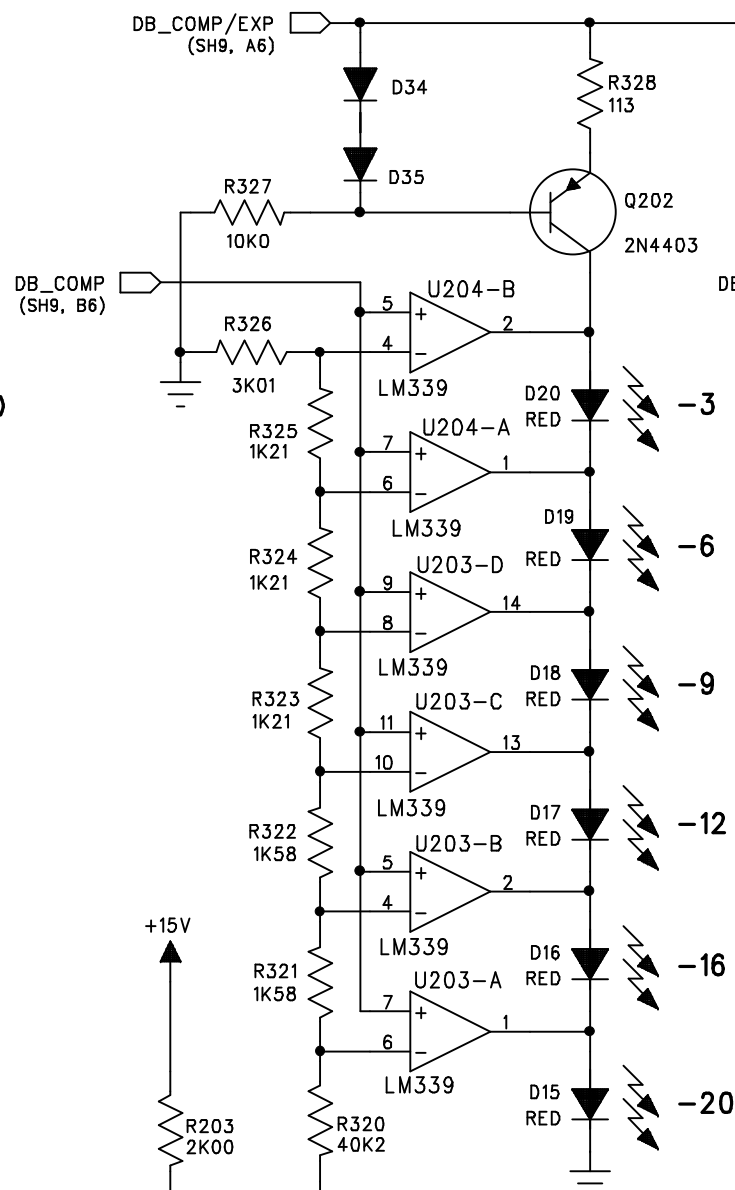
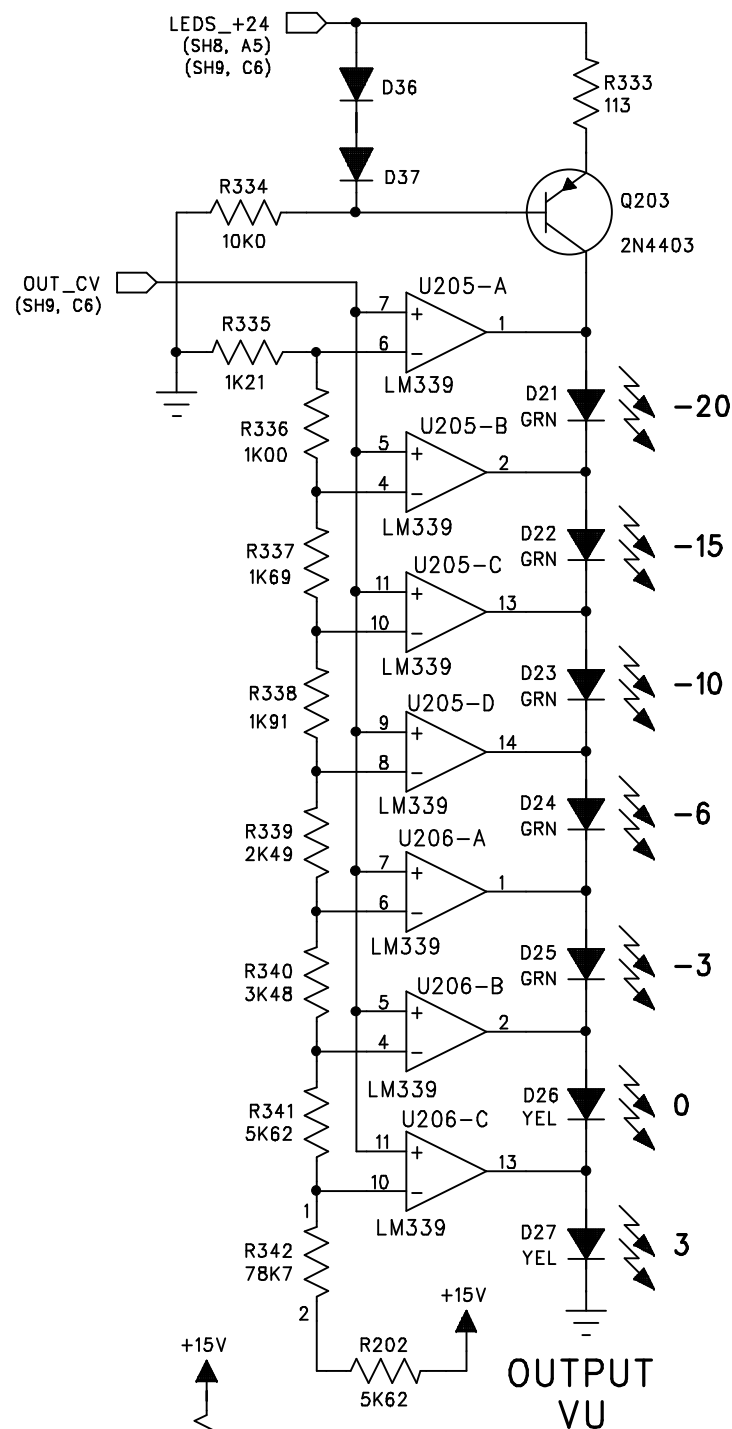
C

B

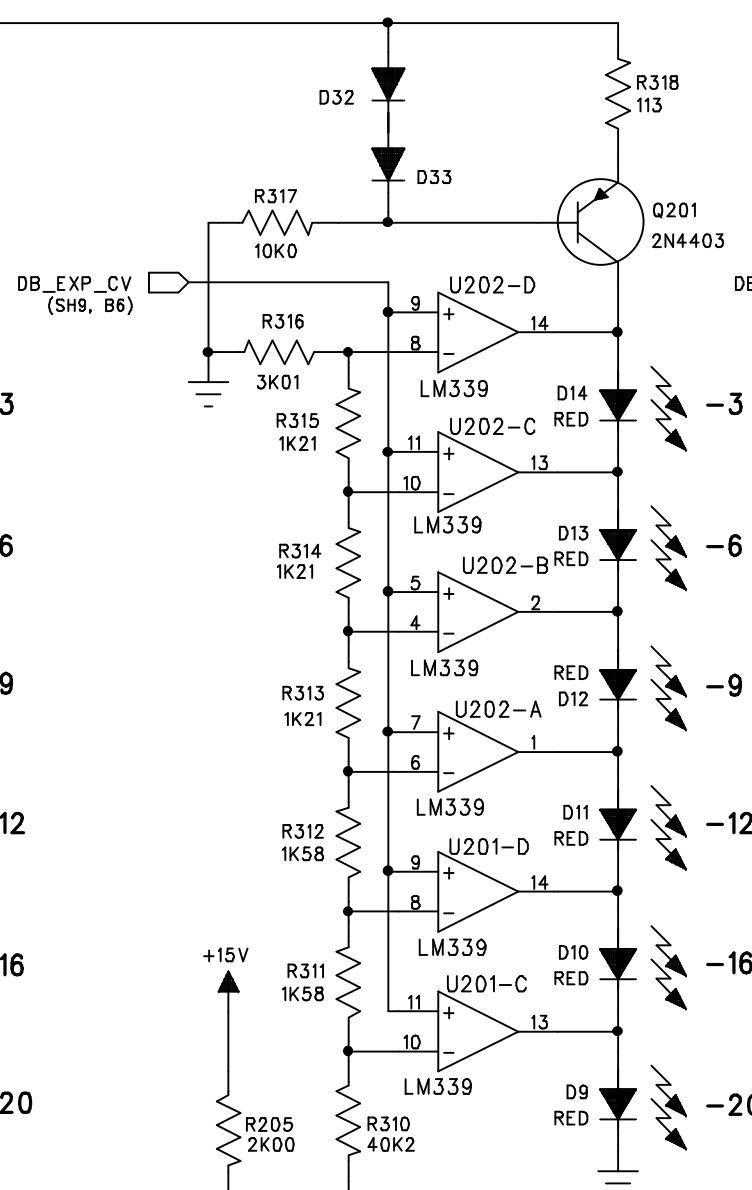
B

A

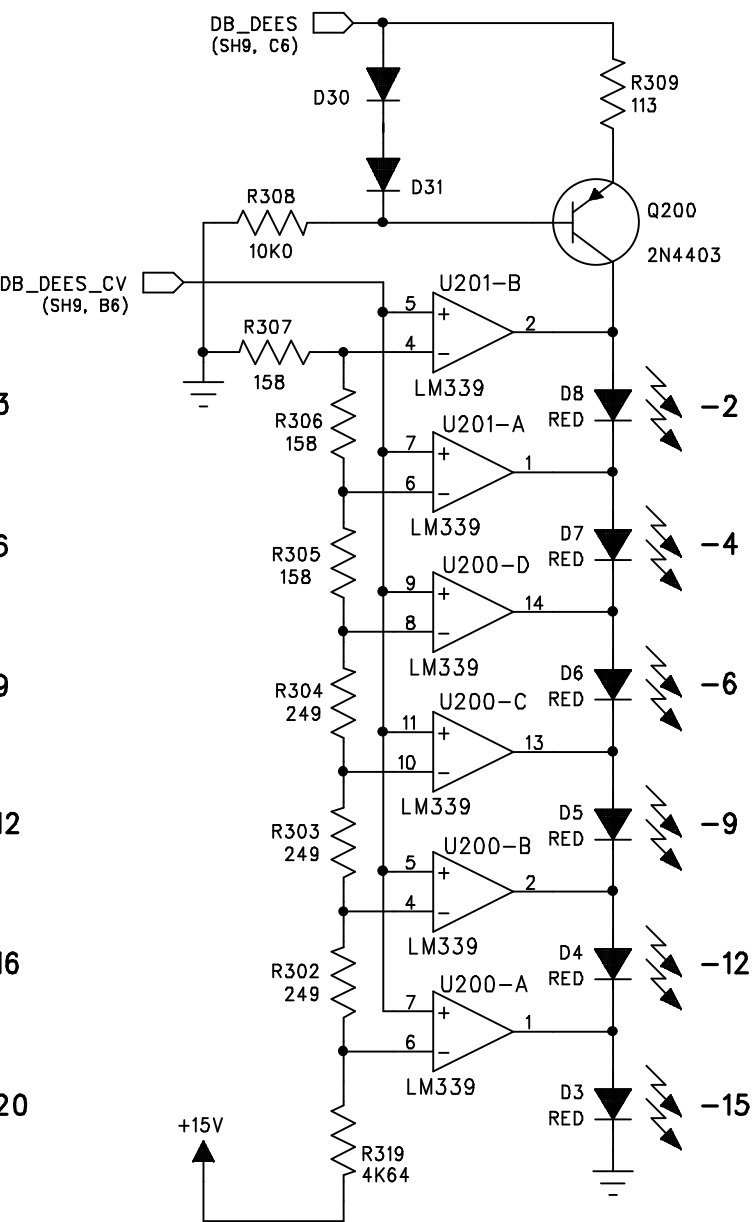
A



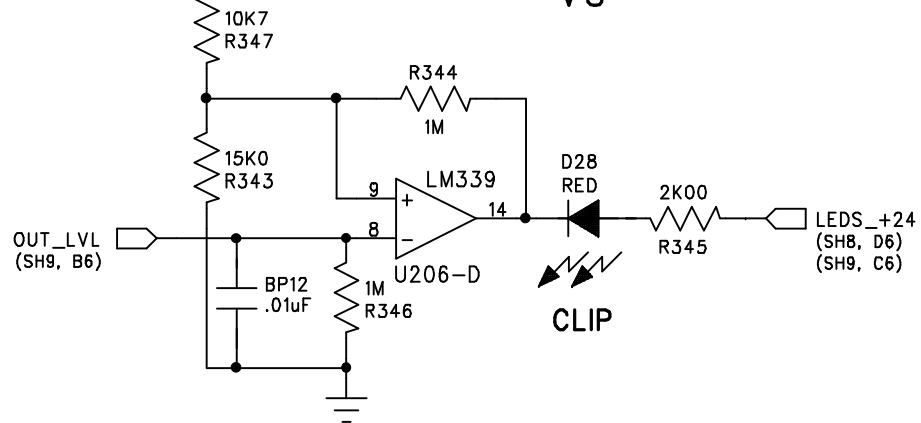
COMPRESSOR



EXPANDER



DE-ESS



COMPANY:		SYMETRIX INC.	
		14926 35th Avenue West Lynnwood, WA 98037-2303 USA	
DRAWN:		TITLE:	REV:
B. Gudgel		528E DAUGHTERBOARD	C
RELEASED:		DRAWING NO:	SHEET: 8 OF 9
		52 528E 1	



6

5

4

3

2

1

D

D

C

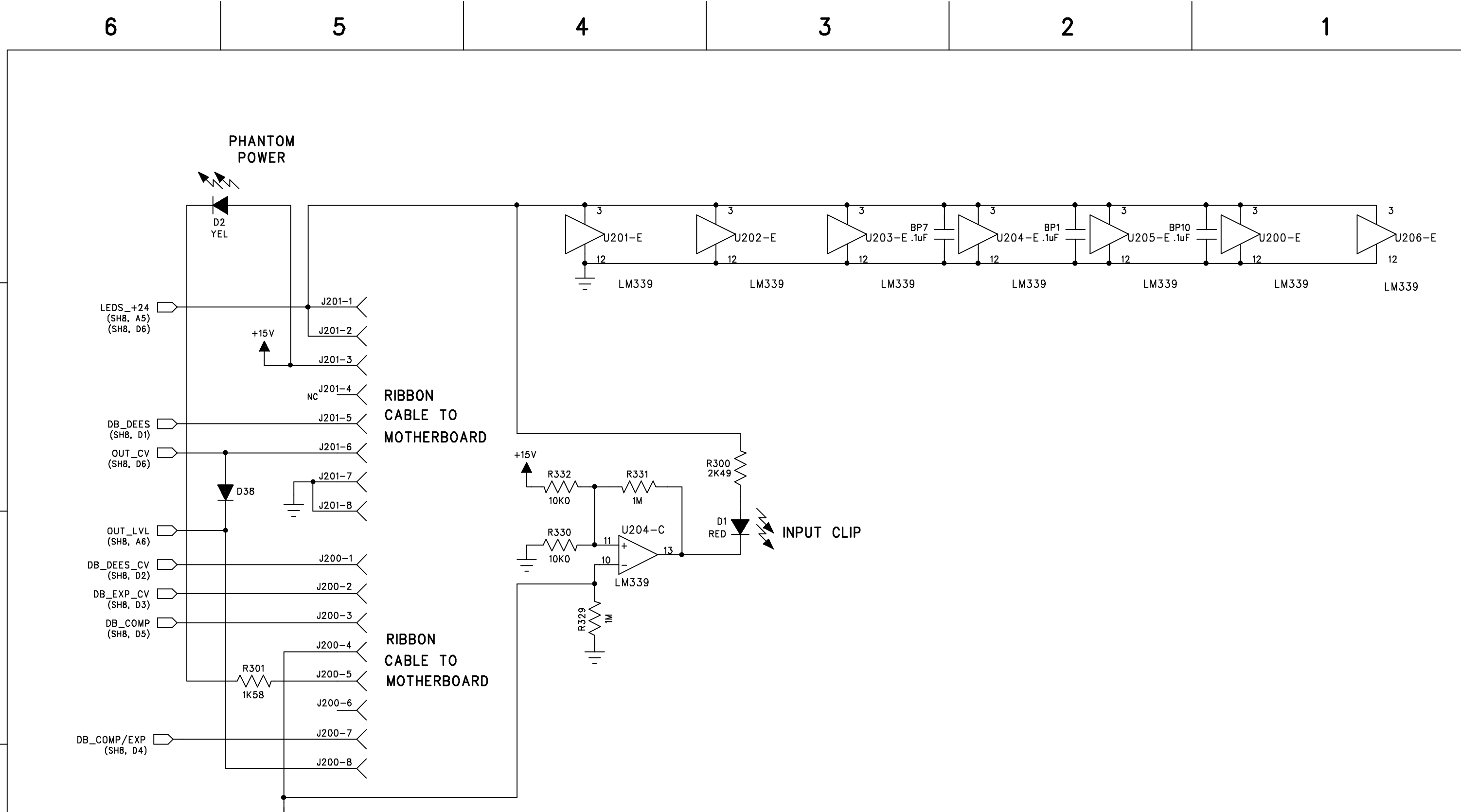
C

B

B

A

A



COMPANY:		<b>SYMETRIX INC.</b> 14926 35th Avenue West Lynnwood, WA 98037-2303 USA	
TITLE:		528E DAUGHTERBOARD	REV: C
DRAWING NO:		52 528E 1	SHEET: 9 OF 9

DRAWN: <b>B. Gudgel</b>	DATED:
RELEASED:	DATED:

6

5

4

3

2

1

D

D

C

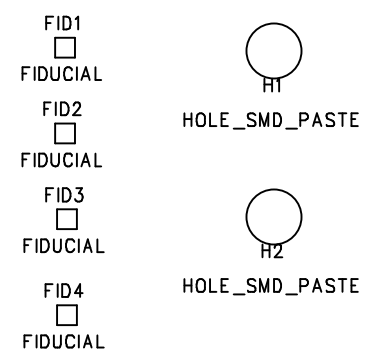
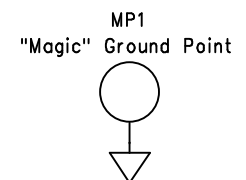
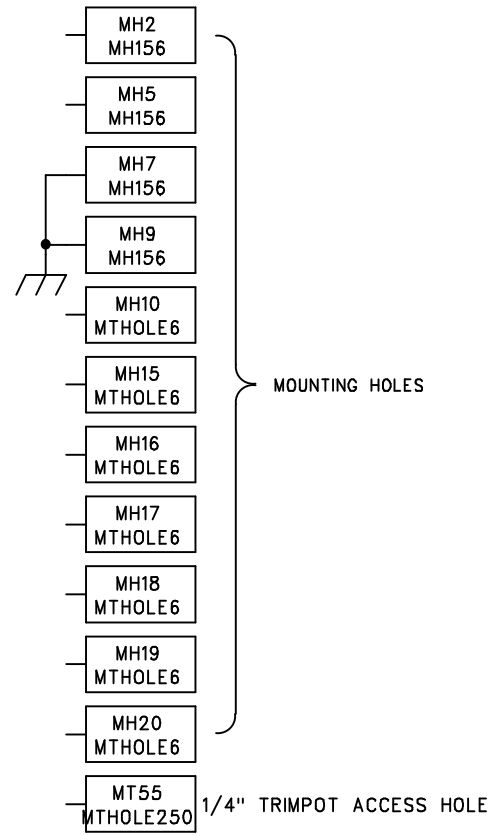
C

B

B

A

A



COMPANY:		<b>SYMETRIX INC.</b> 14926 35th Avenue West Lynnwood, WA 98037-2303 USA	
TITLE:		528E (Junque Page)	REV: C
DRAWING NO:		52 528E 1	SHEET: 10 OF 9

DRAWN:	DATED:
RELEASED:	DATED: