

6

5

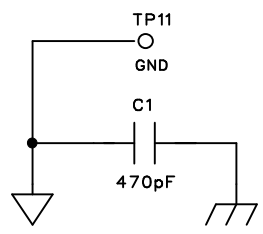
4

3

2

1

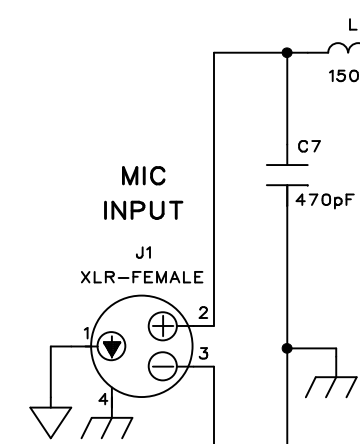
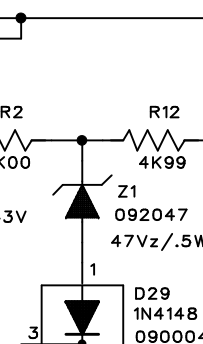
REV	REVISION	DATE
2.00	Convert to surface mount, adjust some values. Mod mic circuit Delete power switch & external xformer connector - Talema xformer	1/24/97
A.00	MINOR TUNING - RELEASE TO PRODUCTION (YET AGAIN)	6/23/97
B.00	CHNG'D 2 CAPS ON D'BRD TO SURF MNT. EXTENSIVE PCB CHANGES TO GRD'G Changed Output level switching. No Unbal gain boost	8/5/97
B.01	REVERSED DESIGNATORS D70 & 71 (Schem only)	ECN46 RB 3/4/98
C	Added D47, D48. SW9 was 100109, is 100110.	5/7/99
D	SEE ECN 0354	2/18/02
D01	SEE ECN 0364	6/17/02
D02	SEE ECN 0602	5 APR 07



### PHANTOM POWER SWITCH

REAR PANEL  
(SHOWN OUT)

Q2  
PZTA06  
060023



-15dB PAD  
(FRONTPANEL)  
(SHOWN IN)

MIC GAIN  
(FRONTPANEL)

B

B

#### NOTES:

All resistances in ohms. K=X1000 M=X1000000  
 All capacitances in uF unless noted otherwise.  
 NP = nonpolarized electrolytic.  
 All diodes type 1N914 or equivalent unless noted.

COMPANY: **SYMETRIX INC.**  
 14926 35th Avenue West  
 Lynnwood, WA 98037-2303 USA

TITLE: **528E MOTHERBOARD**

REV: **D02**

DRAWING NO: **52 528E 1**

SHEET: **1 OF 11**

DRAWN: <b>B. Gudgel</b>	DATED:
RELEASED:	DATED:

6

5

4

3

2

1

SEE SHEET 1 FOR REVISIONS

D

D

C

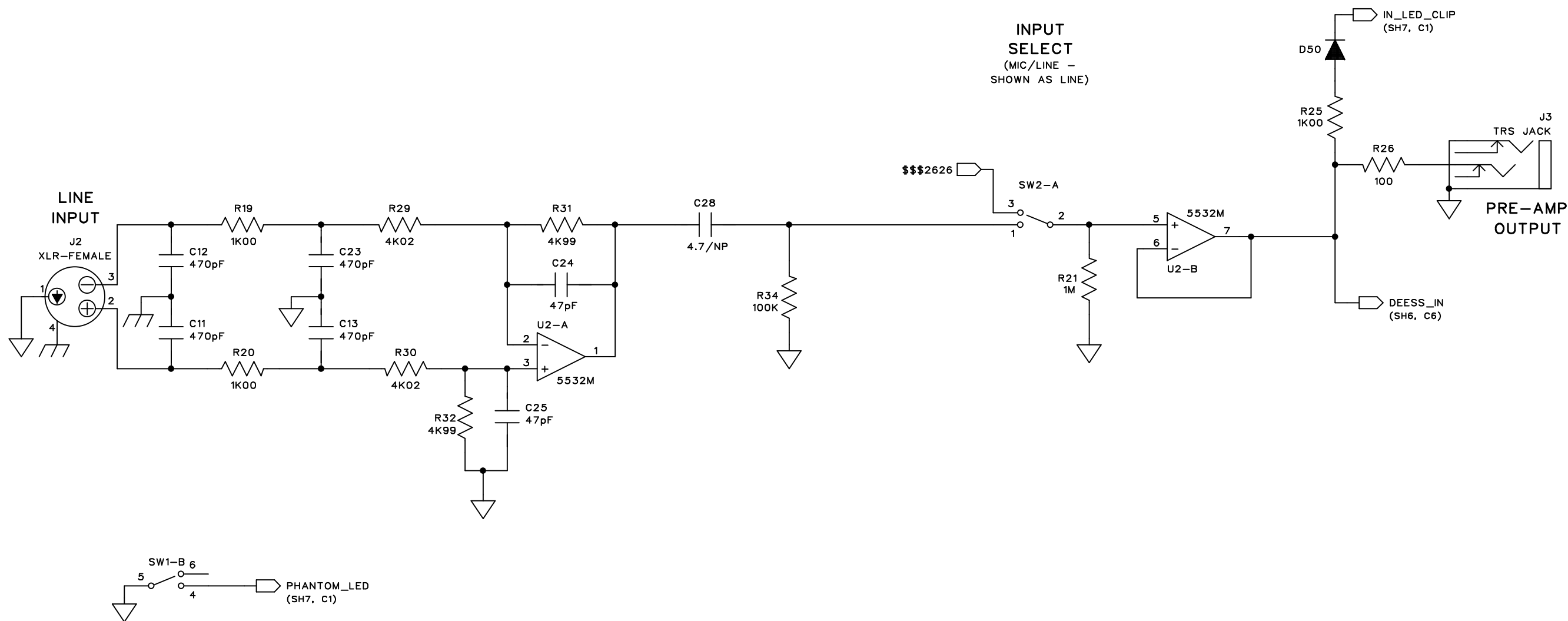
C

B

B

A

A



COMPANY:		<b>SYMETRIX INC.</b>	
		14926 35th Avenue West Lynnwood, WA 98037-2303 USA	
TITLE:		REV:	
DRAWING NO:		<b>SHEET: 2 OF 11</b>	

6

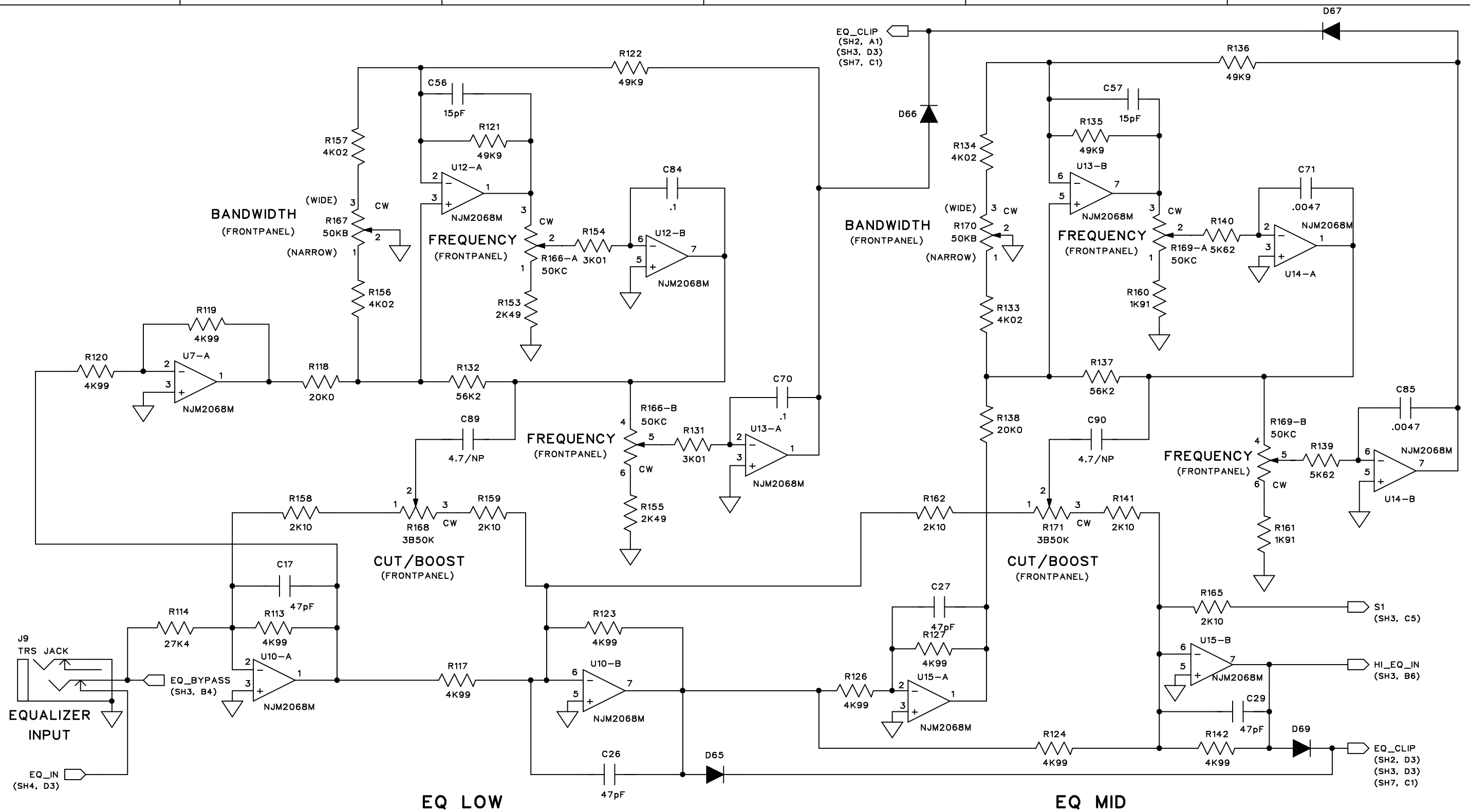
5

4

3

2

1



COMPANY:		<b>SYMETRIX INC.</b>	
		14926 35th Avenue West Lynnwood, WA 98037-2303 USA	
DRAWN:		TITLE:	
B. Gudgel		<b>528E MOTHERBOARD</b>	
RELEASED:		DRAWING NO:	
		<b>52 528E 1</b>	
DATED:		REV:	
		<b>SHEET: 3 OF 11</b>	

D

D

C

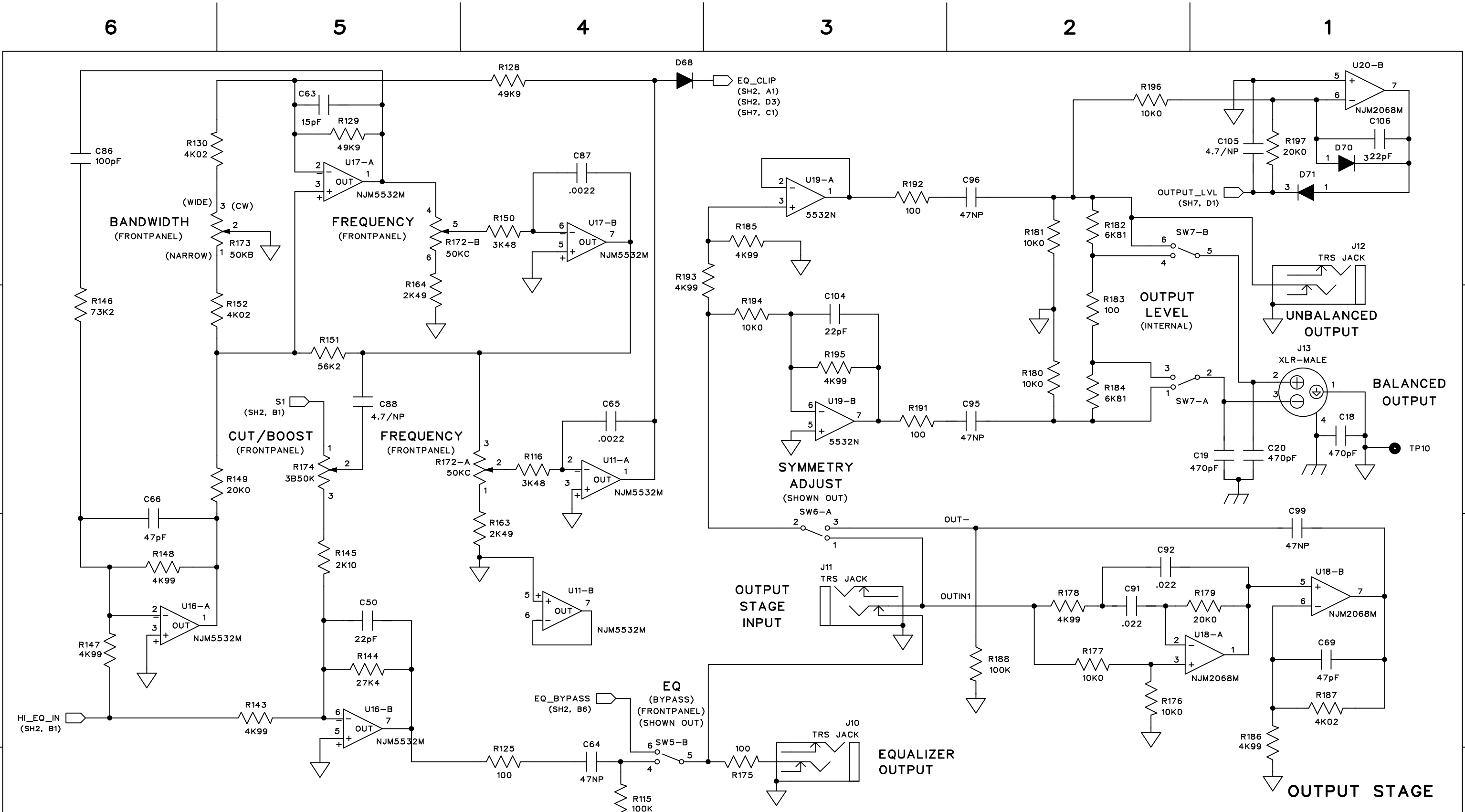
C

B

B

A

A



COMPANY:		<b>SYMETRIX INC.</b>	
		14926 35th Avenue West Lynnwood, WA 98037-2303 USA	
TITLE:	<b>528E MOTHERBOARD</b>		REV:
DRAWING NO:	<b>52 528E 1</b>		SHEET: 4 OF 11

DRAWN:	DATED:
<b>B. Gudgel</b>	
RELEASED:	DATED:

6

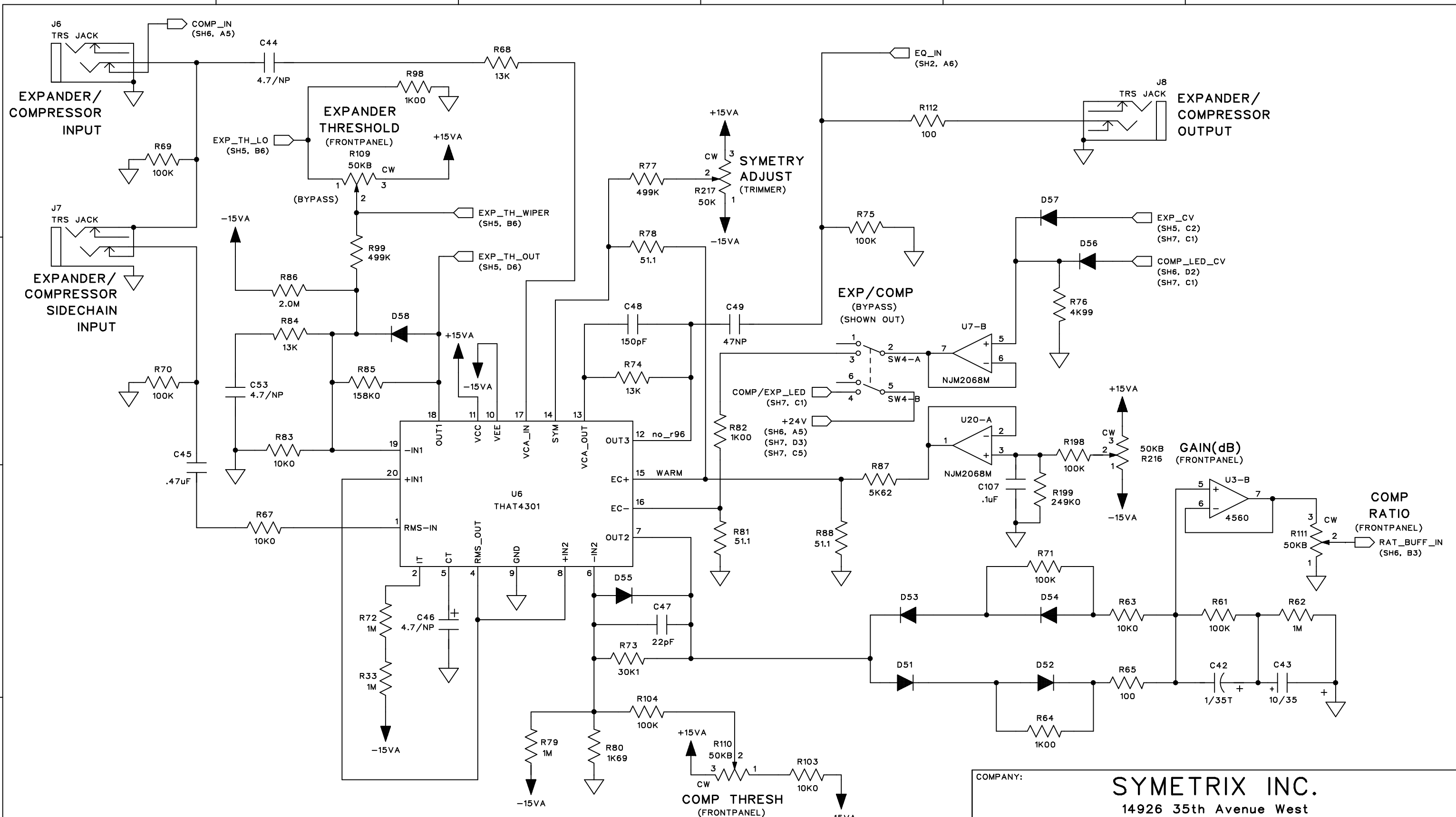
5

4

3

2

1



COMPANY:		<b>SYMETRIX INC.</b>	
		14926 35th Avenue West Lynnwood, WA 98037-2303 USA	
TITLE:		<b>528E MOTHERBOARD</b>	
DRAWING NO:		<b>52 528E 1</b>	
SHEET:		<b>5 OF 11</b>	

DRAWN:	DATED:
<b>B. Gudgel</b>	
RELEASED:	DATED:

6

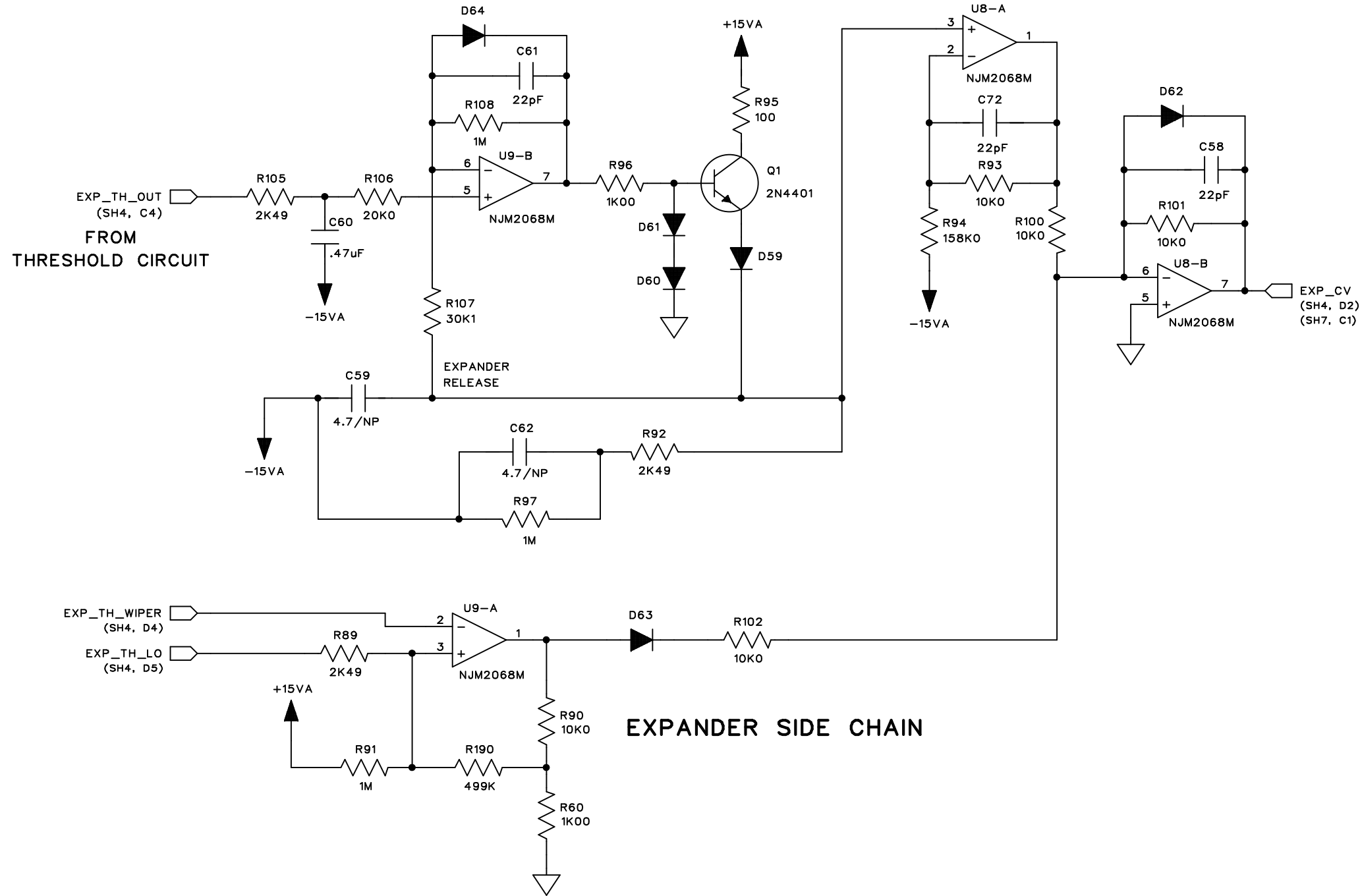
5

4

3

2

1



COMPANY:		<b>SYMETRIX INC.</b>	
		14926 35th Avenue West Lynnwood, WA 98037-2303 USA	
DRAWN:	DATED:	TITLE:	REV:
B. Gudgel		<b>528E MOTHERBOARD</b>	
RELEASED:	DATED:	DRAWING NO:	SHEET: 6 OF 11
		<b>52 528 1</b>	

D

D

C

C

B

B

A

A

6

5

4

3

2

1

D

D

C

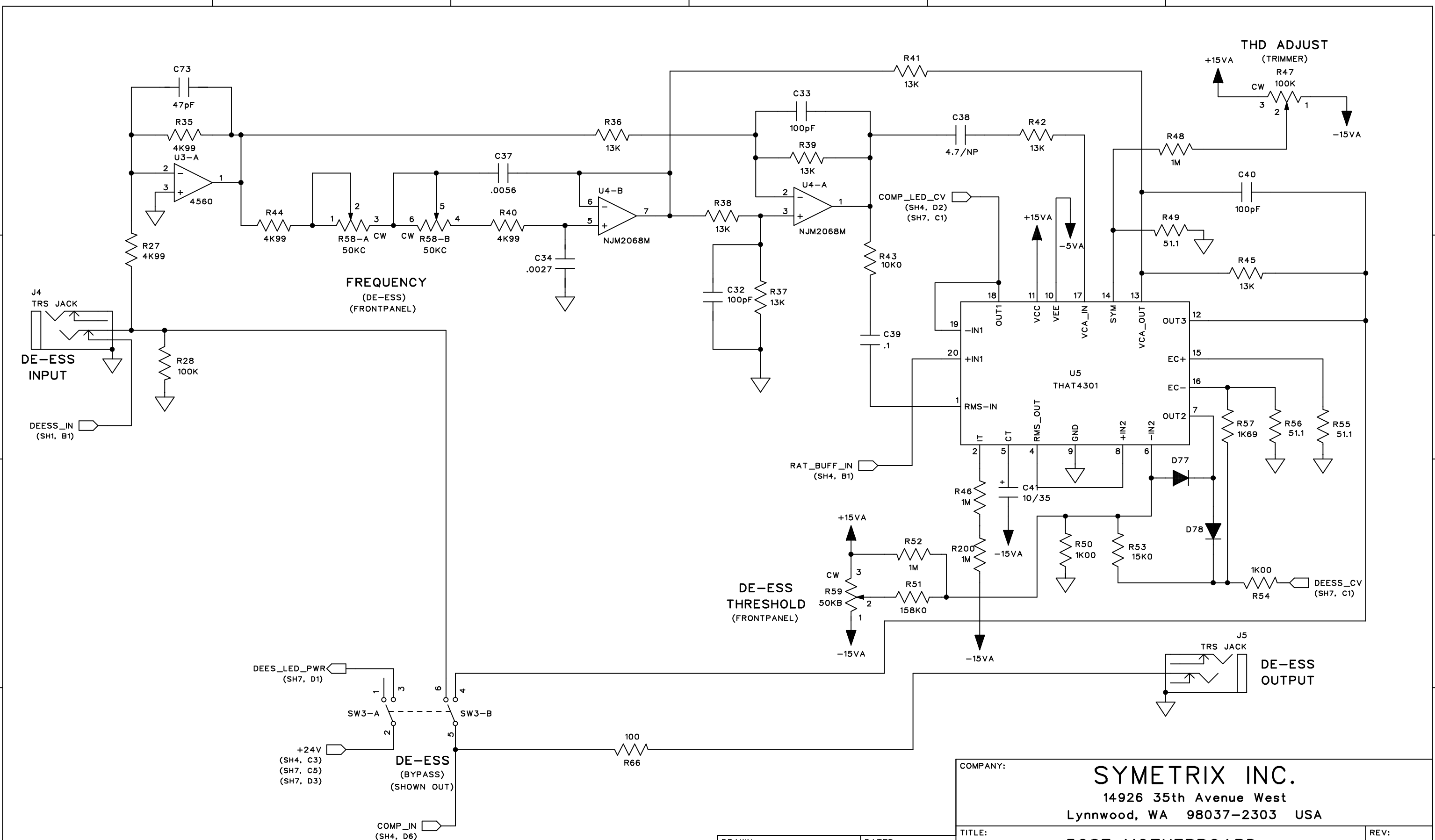
C

B

B

A

A



COMPANY:		<b>SYMETRIX INC.</b>	
		14926 35th Avenue West Lynnwood, WA 98037-2303 USA	
TITLE:		<b>528E MOTHERBOARD</b>	
DRAWING NO:		<b>52 528E 1</b>	
REV:		<b>SHEET: 7 OF 11</b>	

DRAWN:	DATED:
<b>B. Gudgel</b>	
RELEASED:	DATED:

6

5

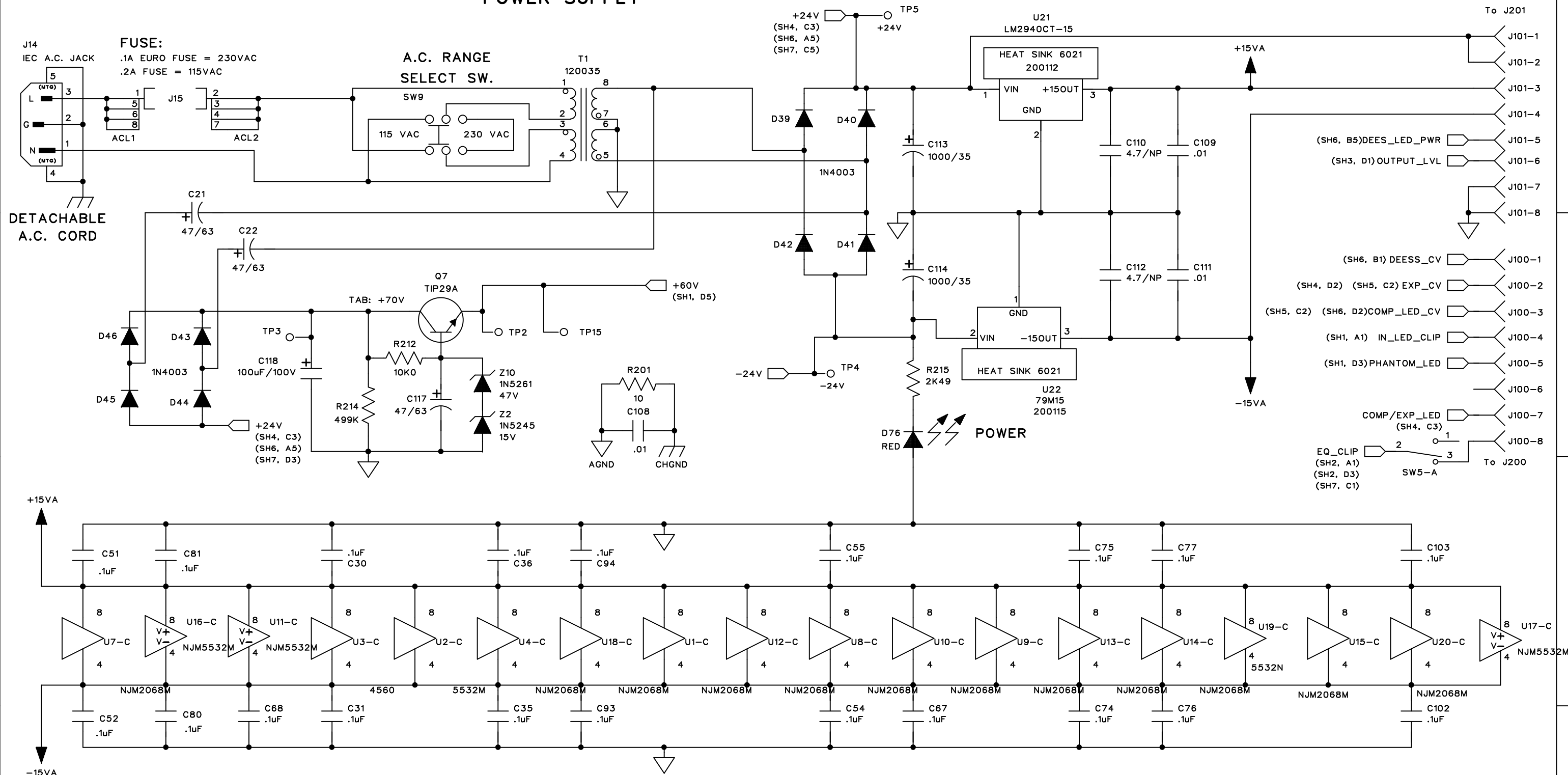
4

3

2

1

# POWER SUPPLY



COMPANY:		<b>SYMETRIX INC.</b>	
		14926 35th Avenue West Lynnwood, WA 98037-2303 USA	
TITLE:		<b>528E MOTHERBOARD</b>	
DRAWING NO:		<b>52 528E 1</b>	
REV:			
SHEET: 8 OF 11			

DRAWN:	DATED:
<b>B. Gudgel</b>	
RELEASED:	DATED:

D

D

C

C

B

B

A

A



6

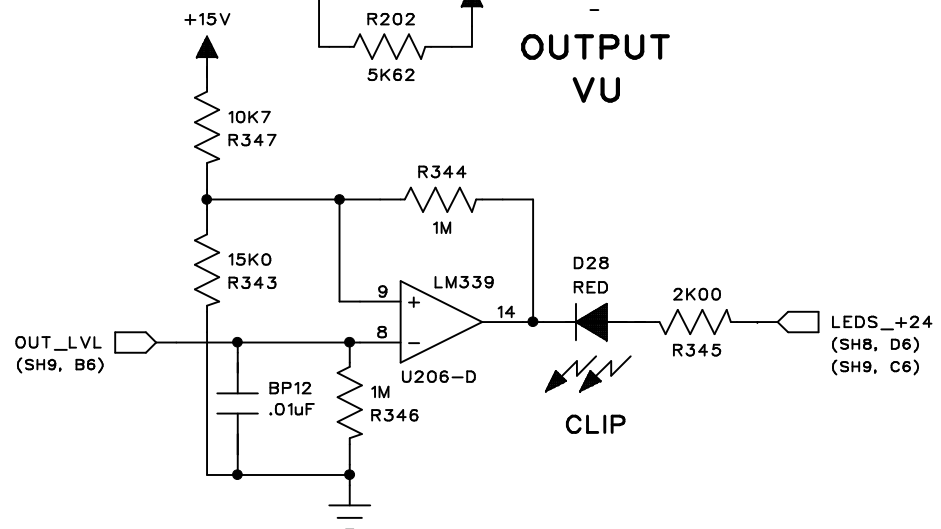
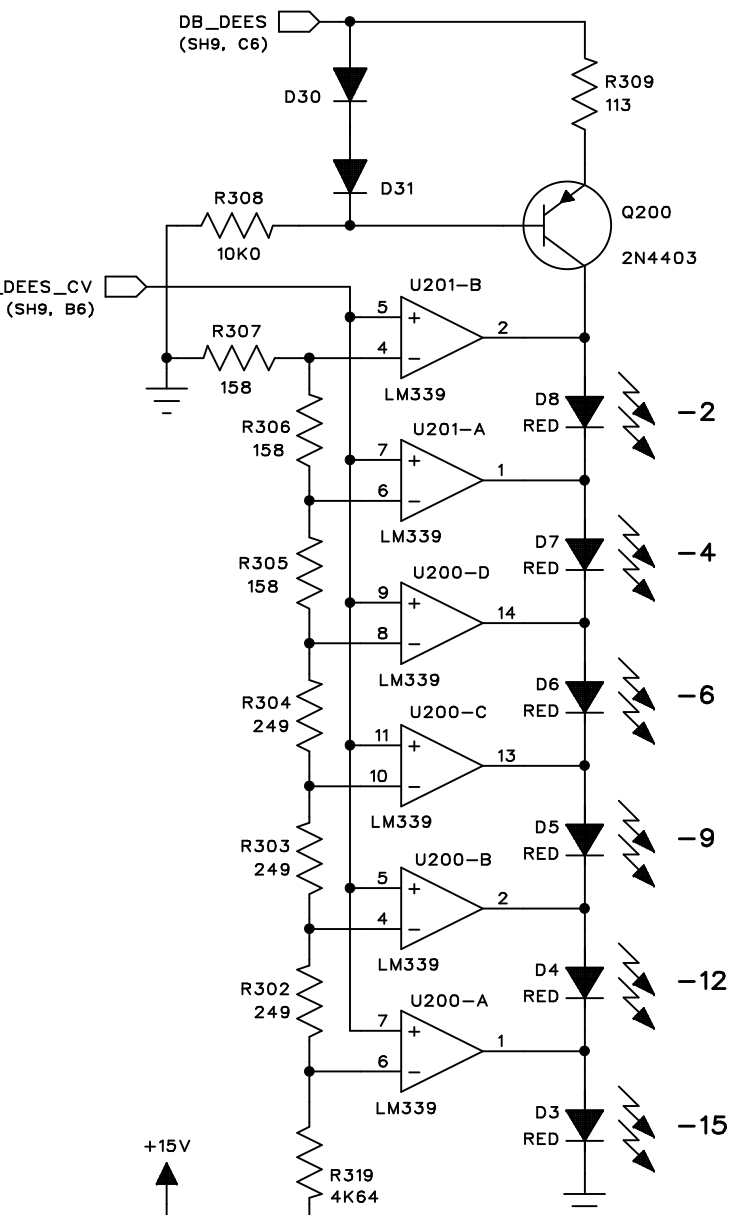
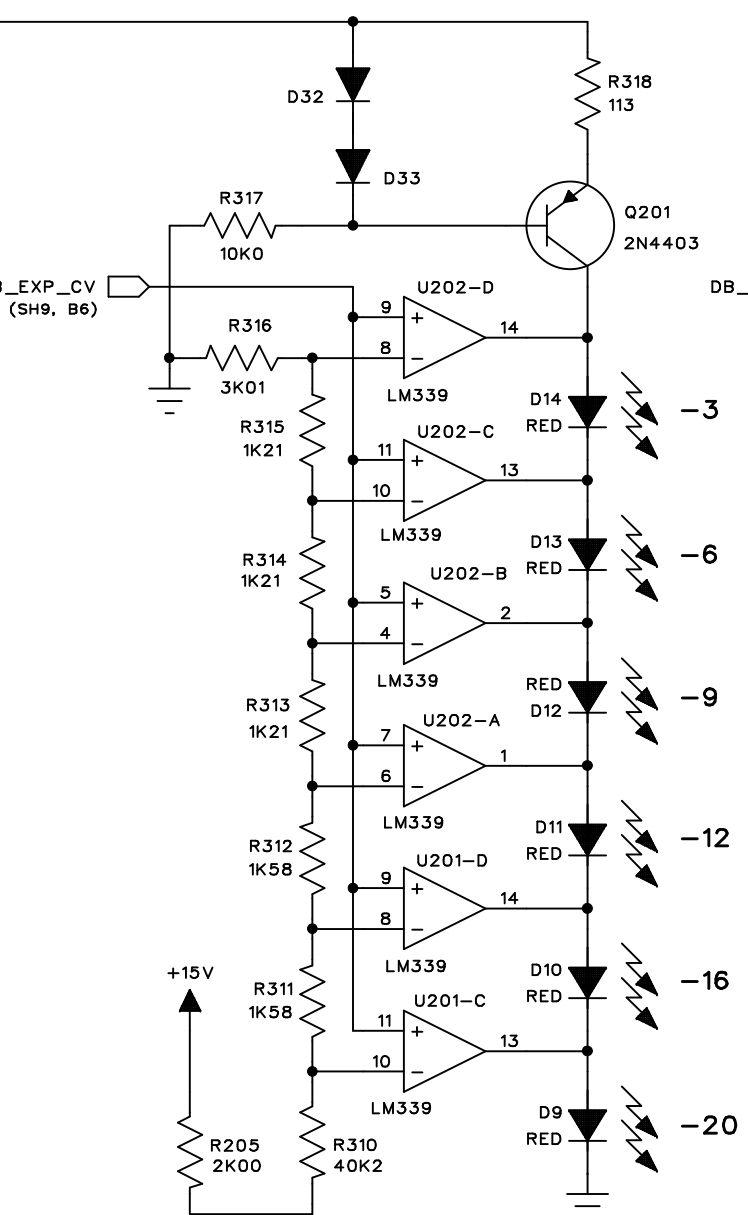
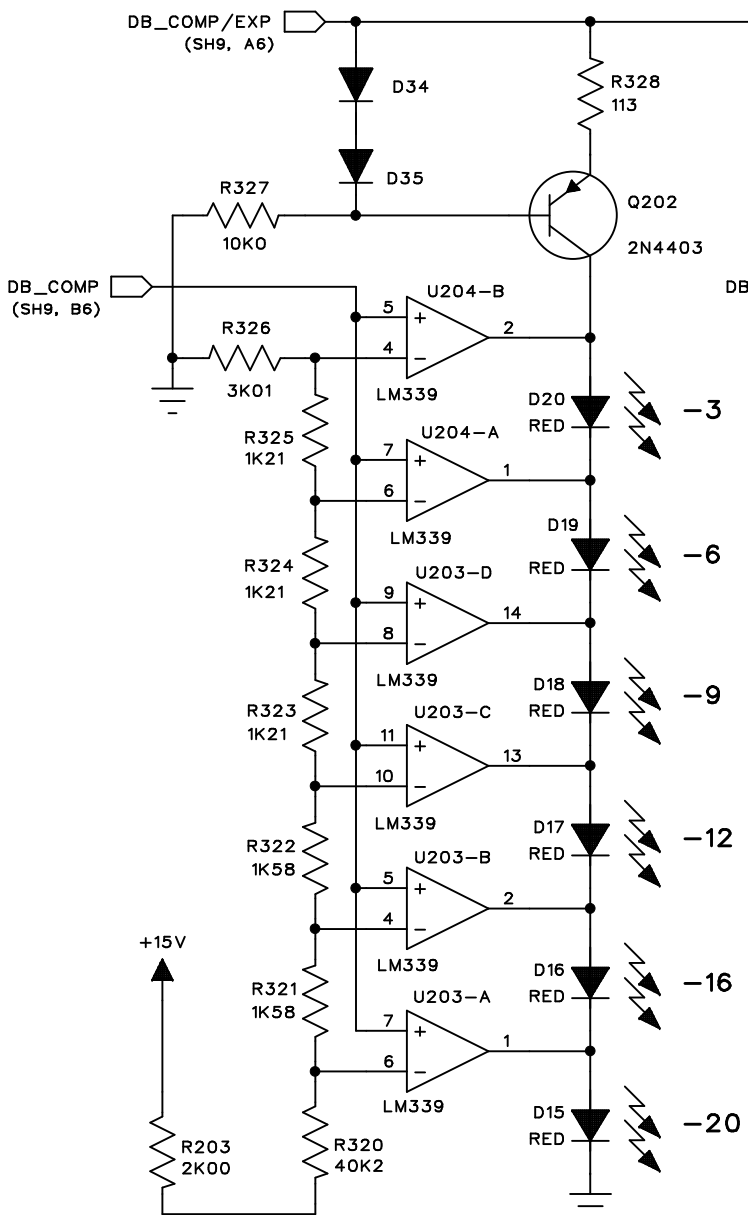
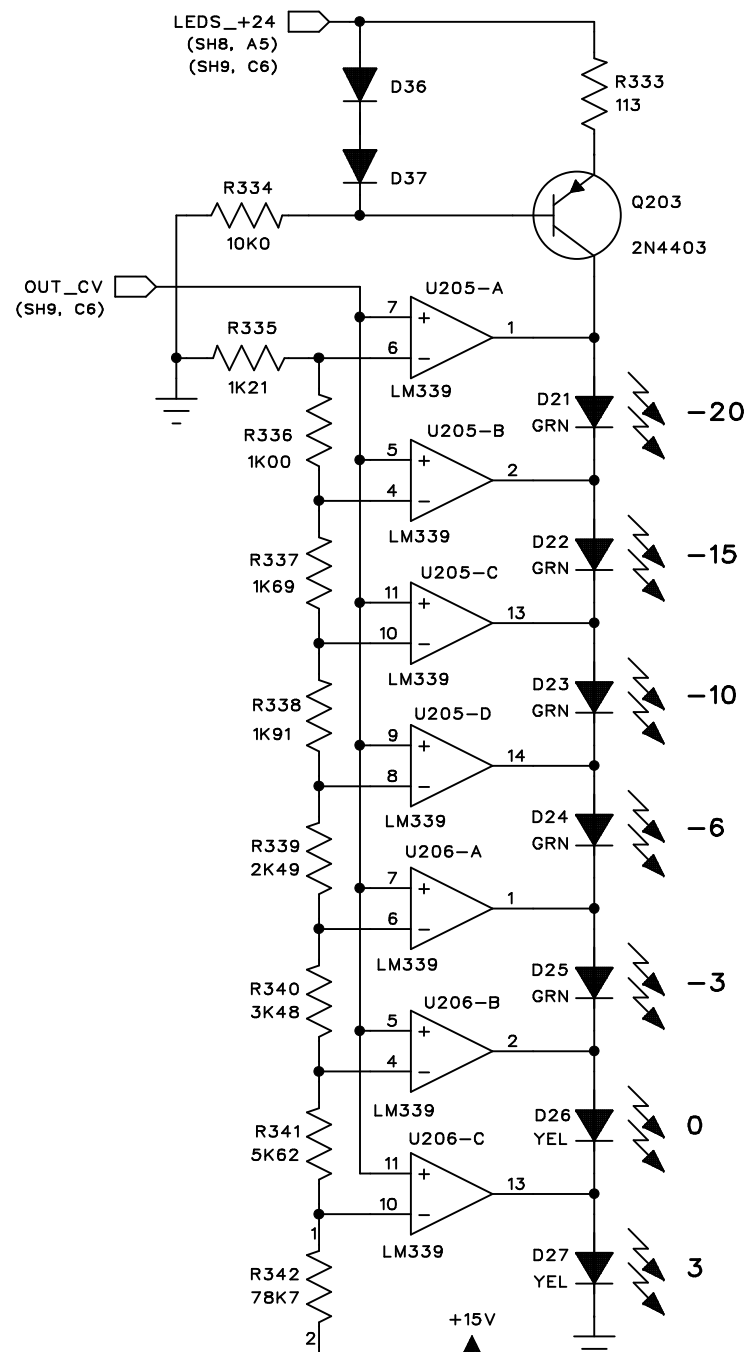
5

4

3

2

1



COMPRESSOR

EXPANDER

DE-ESS

OUTPUT VU

CLIP

COMPANY:		<b>SYMETRIX INC.</b> 14926 35th Avenue West Lynnwood, WA 98037-2303 USA	
DRAWN:		TITLE:	
B. Gudgel		<b>528E DAUGHTERBOARD</b>	
RELEASED:		DRAWING NO:	REV:
		<b>52 528E 1</b>	<b>SHEET: 9 OF 11</b>

D

C

B

A

D

C

B

A

6

5

4

3

2

1

D

D

C

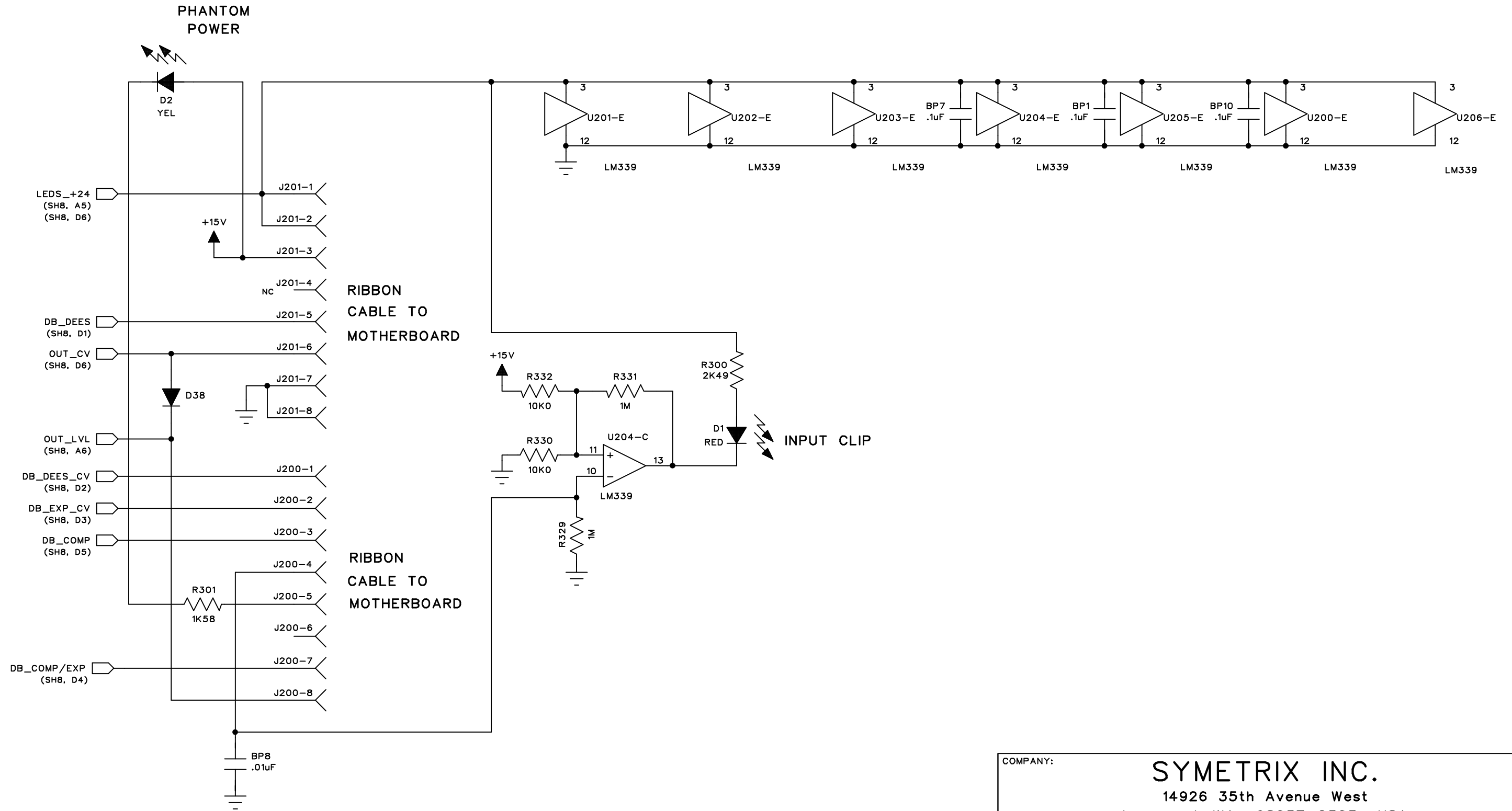
C

B

B

A

A



COMPANY:		<b>SYMETRIX INC.</b>	
		14926 35th Avenue West Lynnwood, WA 98037-2303 USA	
TITLE:		<b>528E DAUGHTERBOARD</b>	
DRAWING NO:		<b>52 528E 1</b>	
SHEET: 10 OF 11			

DRAWN: <b>B. Gudgel</b>	DATED:
RELEASED:	DATED:

6

5

4

3

2

1

D

D

C

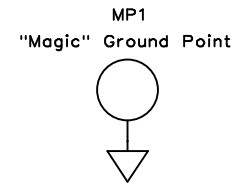
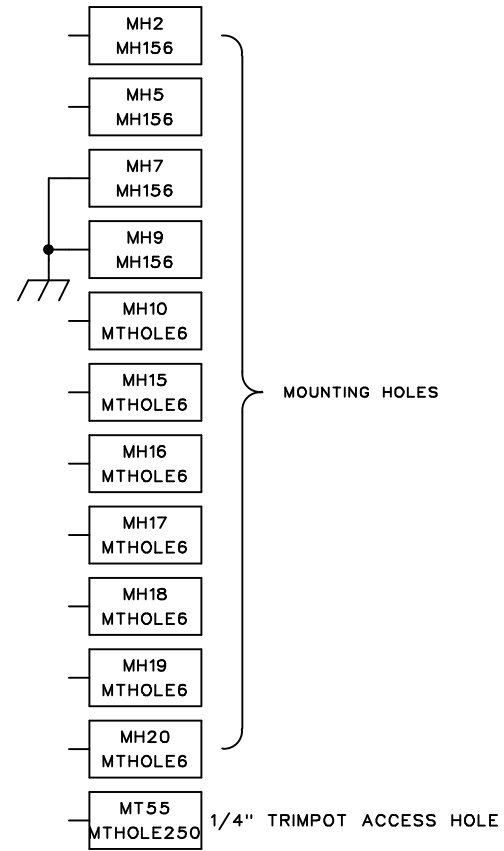
C

B

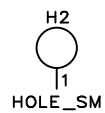
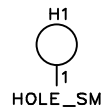
B

A

A



- FIDUCIAL FID1
- FIDUCIAL FID2
- FIDUCIAL FID3
- FIDUCIAL FID4



COMPANY:		<b>SYMETRIX INC.</b> 14926 35th Avenue West Lynnwood, WA 98037-2303 USA	
TITLE:		<b>528E (Junque Page)</b>	REV:
DRAWING NO:		<b>52 528E 1</b>	<b>SHEET: 11 OF 11</b>

DRAWN:	DATED:
RELEASED:	DATED: